

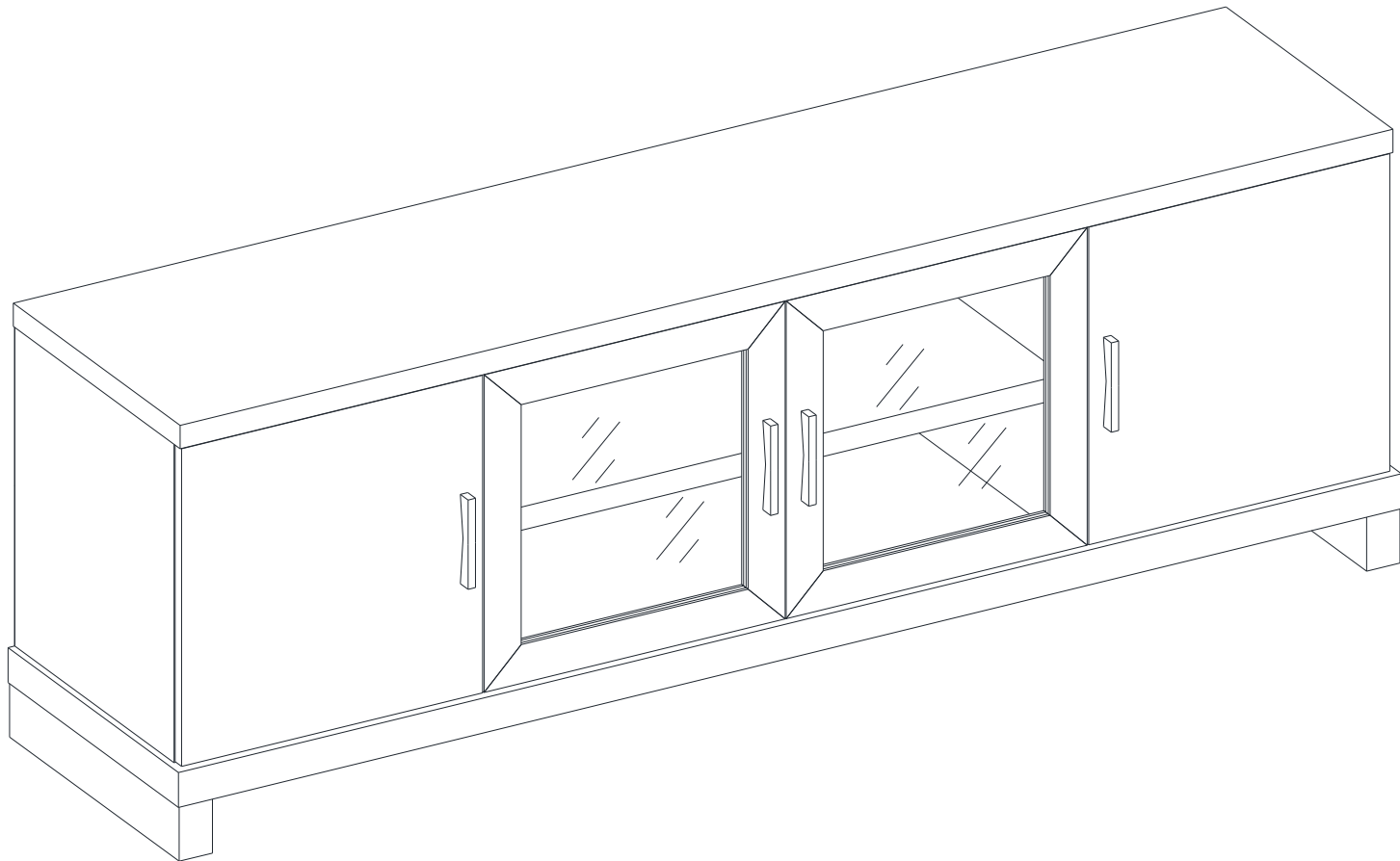


THRESHOLD™

Low Profile Media Stand

Style #: TGAVCLW-8WD

DPC-item #: 249-10-1284



>> Assembly instructions



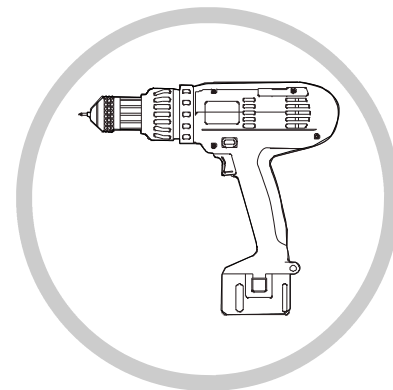
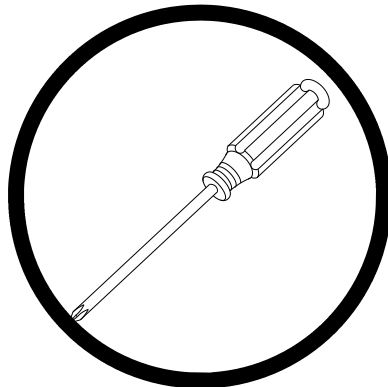
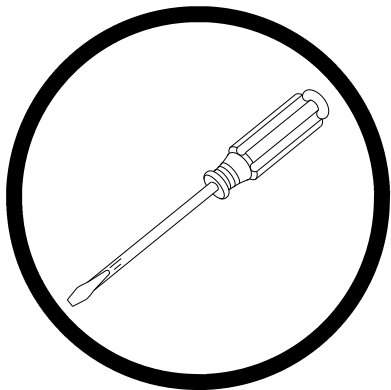
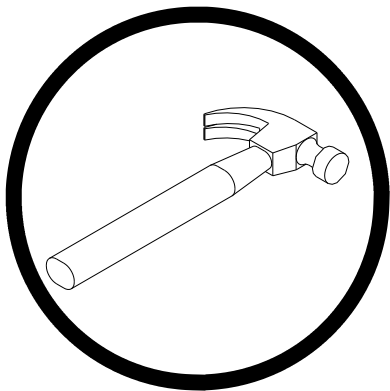
Congratulations on your latest Target purchase.

Now what? Don't start sweating over this box of parts. This will be easy. We did the hard work for you. All you need to do is follow our simple instructions and you'll be on your way to transforming your room in no time. Good luck – though we're confident you won't need it.

## Before you begin

1. Check for damaged or missing parts. Call 1-855-MYTGTHOME (855-698-4846) to order missing supplies.
2. Use the carton as a work surface to prevent product damage during assembly.
3. Gather all tools prior to assembly.

## Tools needed (not included)




For tipping restraint hardware kit only

# Table of contents

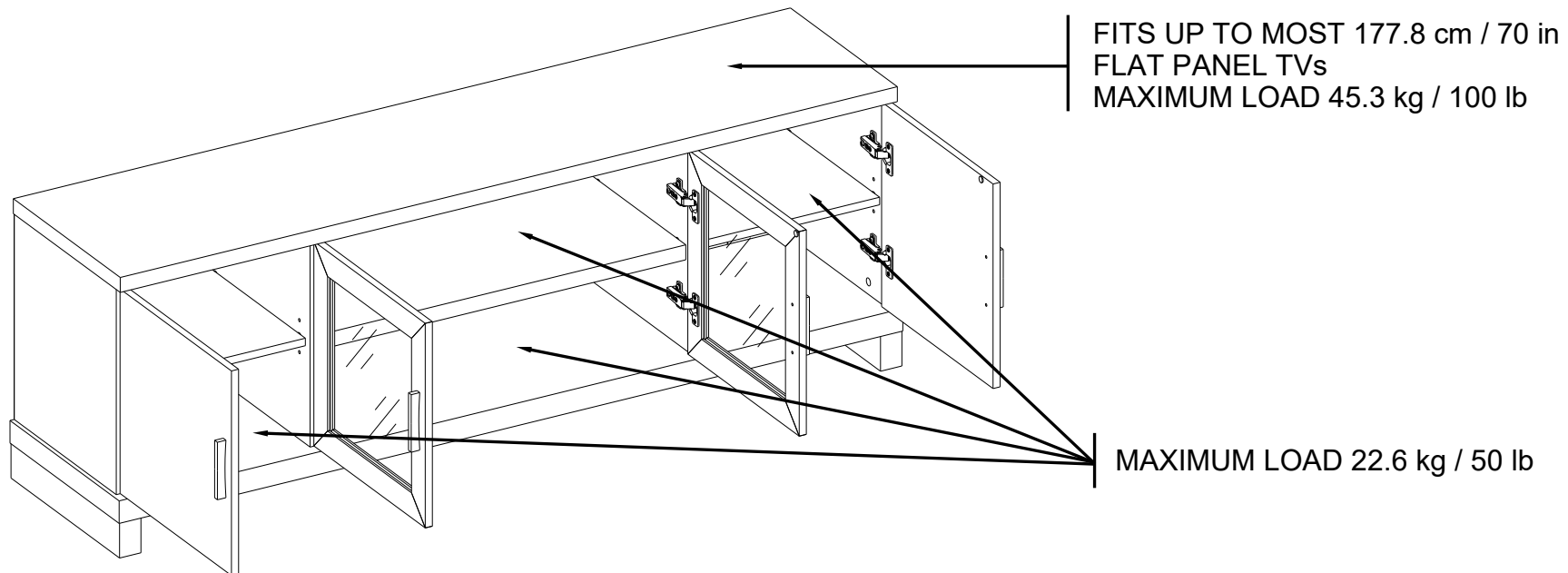
---

Introduction	2
Warning label	4
Hardware	5
Parts list	6
Assembly	7-21
Care and maintenance and warranty	22
Important safety information	23

<b>⚠ WARNING</b>	
	<p><b>Serious or fatal crushing injuries can occur from furniture tip-over. To help prevent tip-over:</b></p> <ul style="list-style-type: none"><li>• Install tip-over restraint provided.</li><li>• Place heaviest items in the lowest drawers.</li><li>• Do not set TV's or other heavy objects on top of this product, unless the product is specifically designed to accommodate them.</li><li>• Never allow children to climb or hang on drawers, doors, or shelves.</li><li>• Never open more than one drawer at a time.</li></ul> <p><b>Use of tip-over restraints may only reduce, but not eliminate, the risk of tip-over.</b></p>

## MAXIMUM RECOMMENDED WEIGHT LOADS

MANUFACTURER: Whalen Furniture Manufacturing  
CATALOG: Low Profile Media Stand  
MODEL #TGAVCLW-8WD  
MADE IN CHINA



**⚠ WARNING** THIS UNIT IS NOT INTENDED FOR USE WITH CRT TVS. USE ONLY WITH FLAT PANEL TVS AND AUDIO/ VIDEO EQUIPMENT MEETING RECOMMENDED SIZE AND WEIGHT LIMITS. NEVER USE WITH LARGER/HEAVIER THAN RECOMMENDED FLAT PANEL TVS OR EQUIPMENT. TO AVOID INSTABILITY, PLACE FLAT PANEL TV IN THE CENTRE OF THE UNIT; THE BASE OF THE TELEVISION MUST BE ABLE TO REST ON THE SUPPORTING SURFACE OF THE UNIT WITHOUT OVER-HANGING THE EDGES. IMPROPERLY POSITIONED FLAT PANEL TVS, OR FLAT PANEL TVS INCLUDING OTHER EQUIPMENT THAT EXCEED RECOMMENDED SIZE AND WEIGHT LIMITS COULD FALL OFF OR BREAK THE UNIT, CAUSING POSSIBLE SERIOUS INJURY.

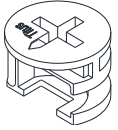
DEATH OR SERIOUS INJURY MAY OCCUR WHEN CHILDREN CLIMB ON AUDIO AND/OR VIDEO EQUIPMENT FURNITURE. A REMOTE CONTROL OR TOYS PLACED ON THE FURNISHING MAY ENCOURAGE A CHILD TO CLIMB ON THE FURNISHING AND AS A RESULT THE FURNISHING MAY TIP OVER ONTO THE CHILD.

RELOCATING AUDIO AND/OR VIDEO EQUIPMENT TO FURNITURE NOT SPECIFICALLY DESIGNED TO SUPPORT AUDIO AND/OR VIDEO EQUIPMENT MAY RESULT IN DEATH OR SERIOUS INJURY DUE TO THE FURNISHING COLLAPSING OR OVER TURNING ONTO A CHILD.

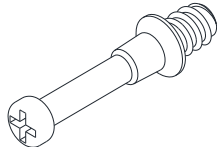
# Hardware

---

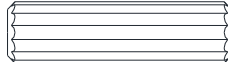
**(H1) x 12**  
cam lock



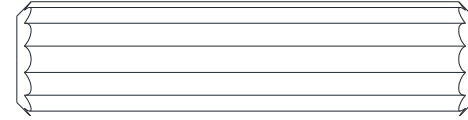
**(H2) x 12**  
cam bolt



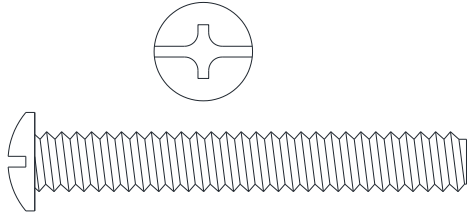
**(H3) x 16**  
M8 x 30 mm wood dowel



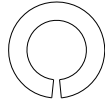
**(H4) x 4**  
M15 x 60 mm wood dowel



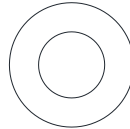
**(H5) x 4**  
5/16" x 2 1/4" bolt



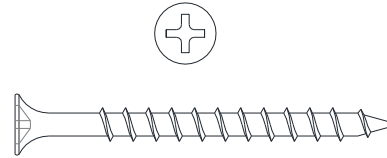
**(H6) x 4**  
lock washer



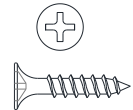
**(H7) x 4**  
flat washer



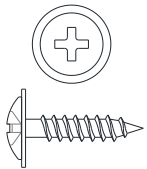
**(H8) x 4**  
#10 x 50 mm screw



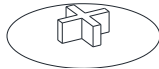
**(H9) x 6**  
#6 x 15 mm screw



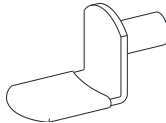
**(H10) x 36**  
#5 x 15 mm screw



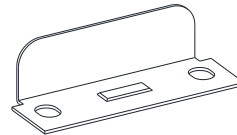
**(H11) x 12**  
cam lock cover



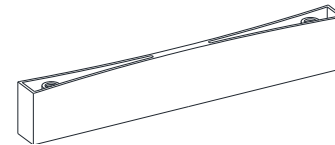
**(H12) x 12**  
shelf pin



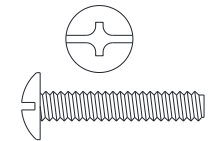
**(H13) x 3**  
door stopper



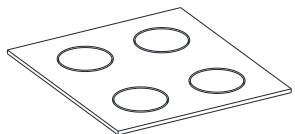
**(H14) x 4**  
handle



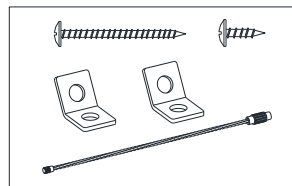
**(H15) x 8**  
22 mm handle bolt



**(H16) x 4**  
rubber bumper



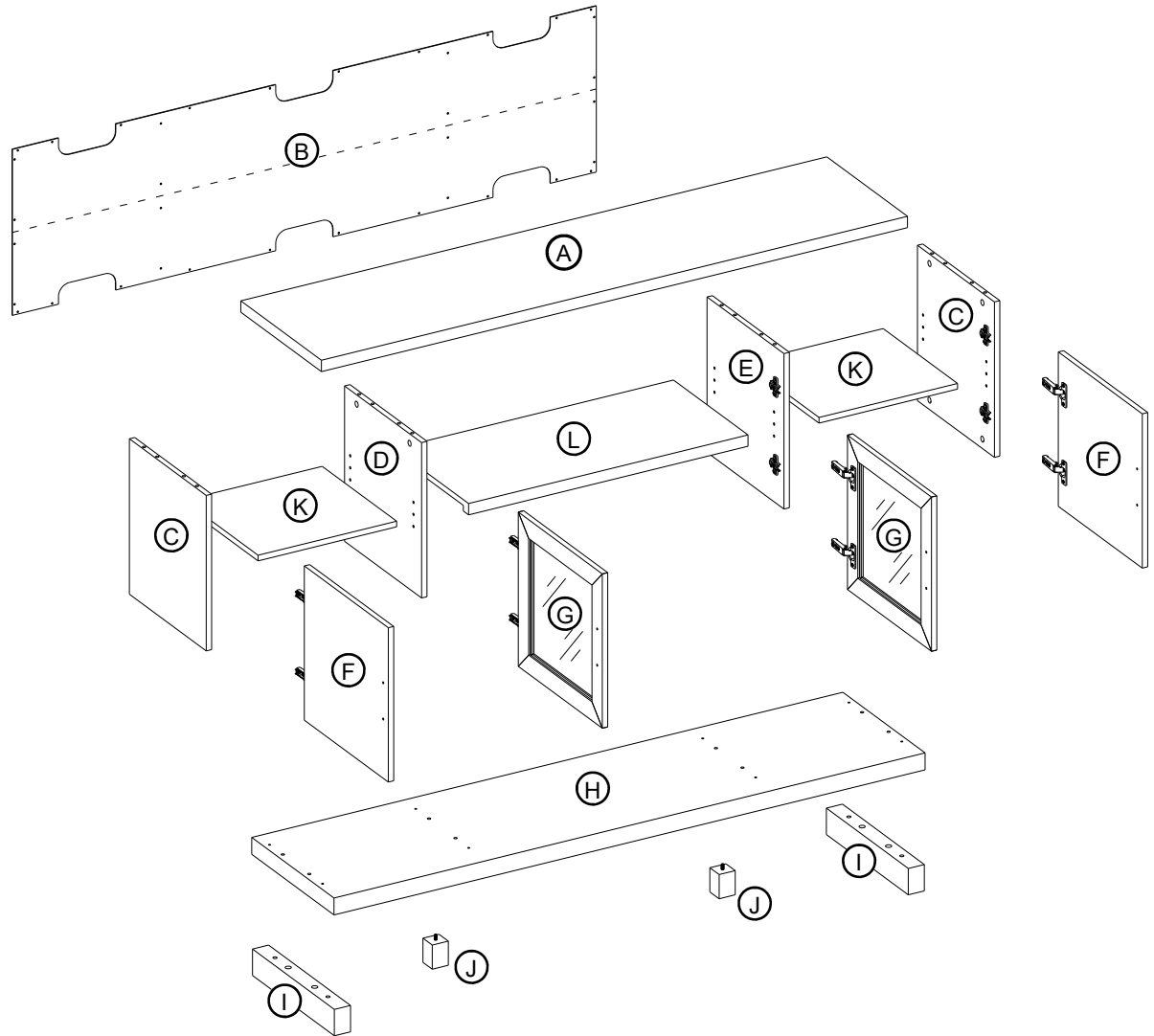
**(H18) x 2**  
tipping restraint hardware kit  
(inside plastic bag)



ITEM DESCRIPTION QUANTITY

---

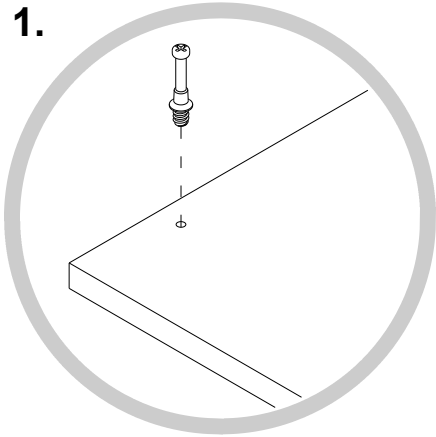
A	Top panel	1
B	Back panel	1
C	Side panel	2
D	Left partition panel	1
E	Right partition panel	1
F	Outer door	2
G	Inner door	2
H	Bottom panel	1
I	Bottom support	2
J	Support leg with leveler	2
K	Small adjustable shelf	2
L	Large adjustable shelf	1



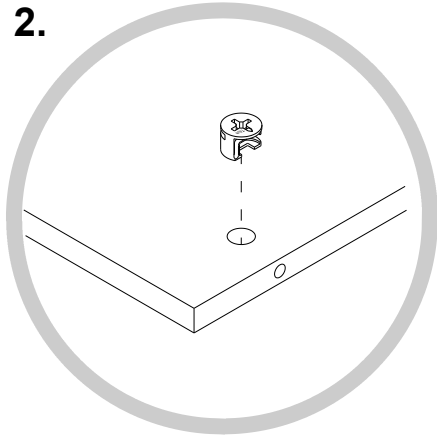
# How to use the cam lock system

---

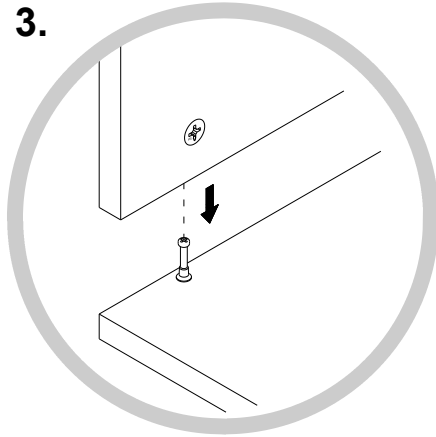
1.



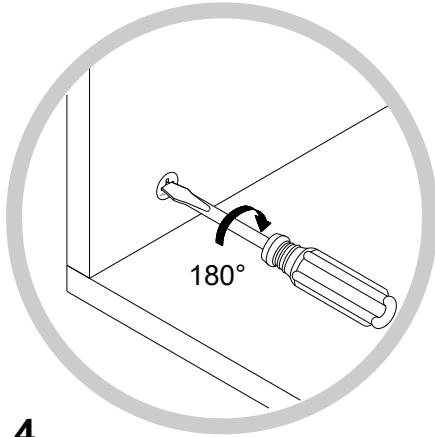
2.



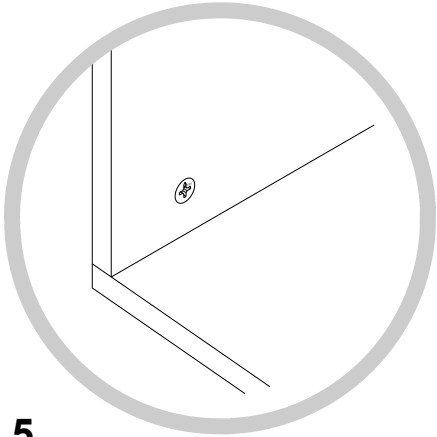
3.



4.

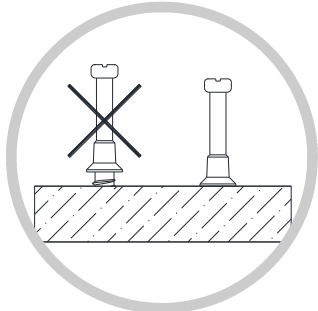


5.



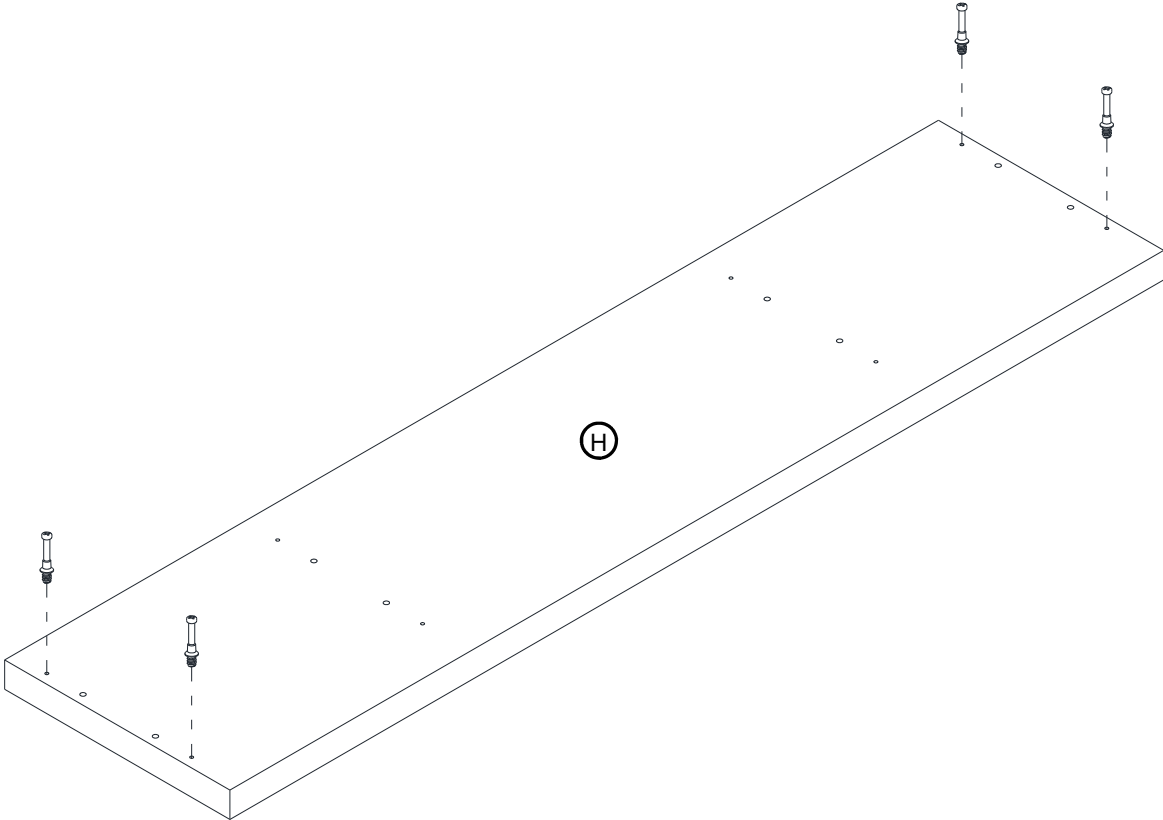
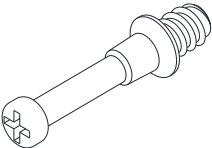
# Step 1.

---



---

(H2) x 4  
cam bolt

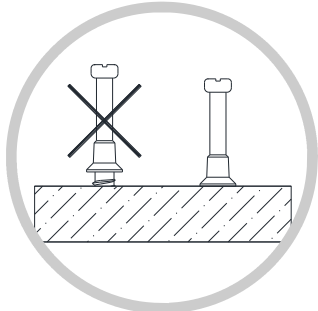


1. Screw-in cam bolts must be screwed down flush.

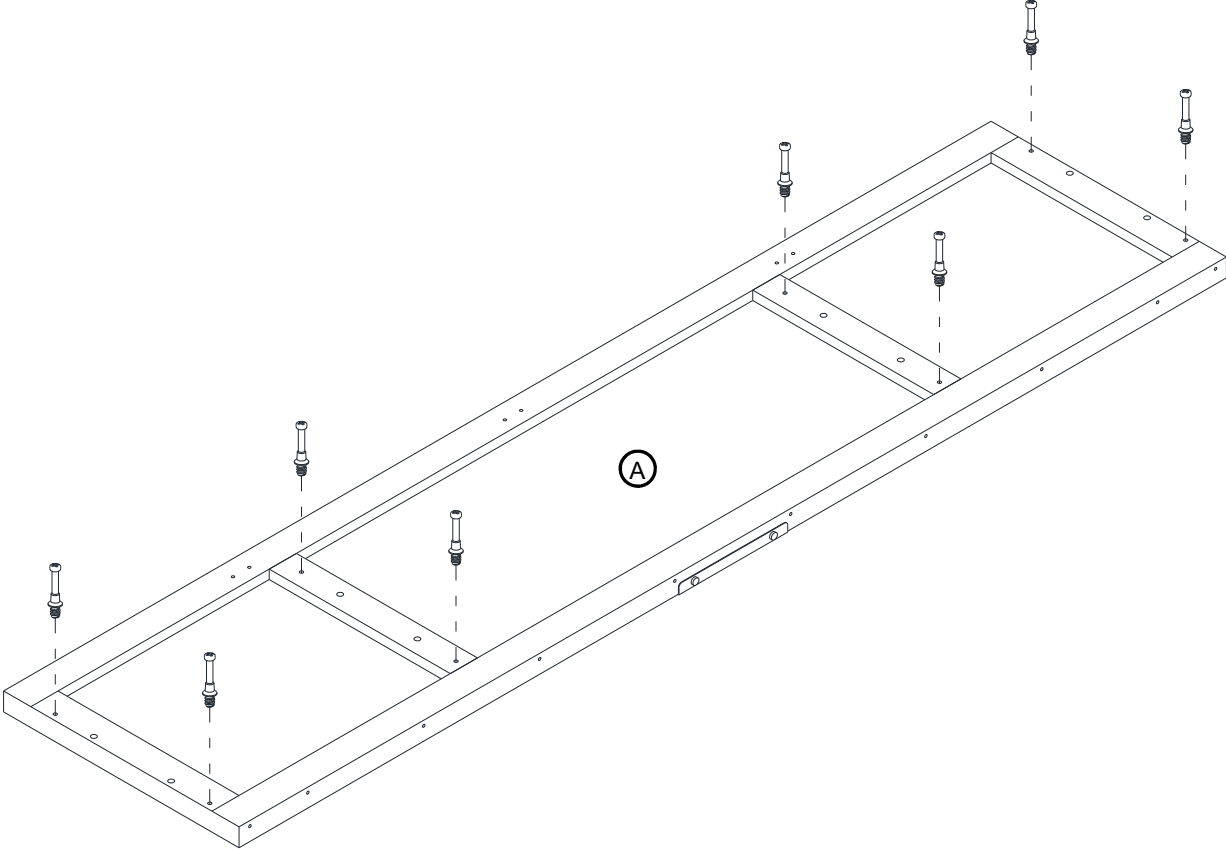
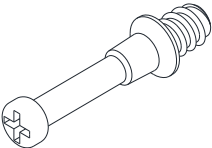


# Step 2.

---



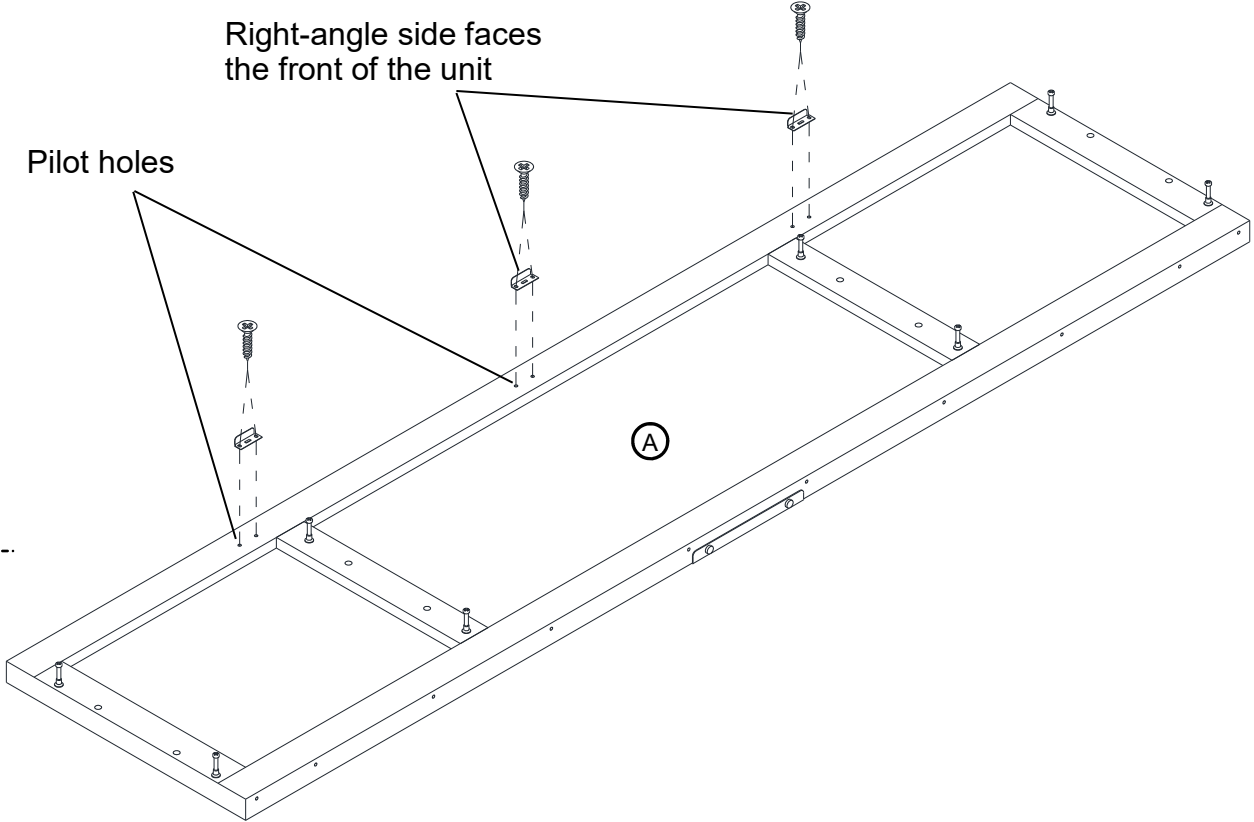
(H2) x 8  
cam bolt



1. Screw-in cam bolts must be screwed down flush.

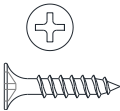
# Step 3.

---

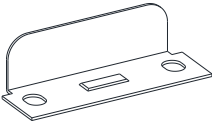


---

**(H9) x 6**  
#6 x 15 mm screw

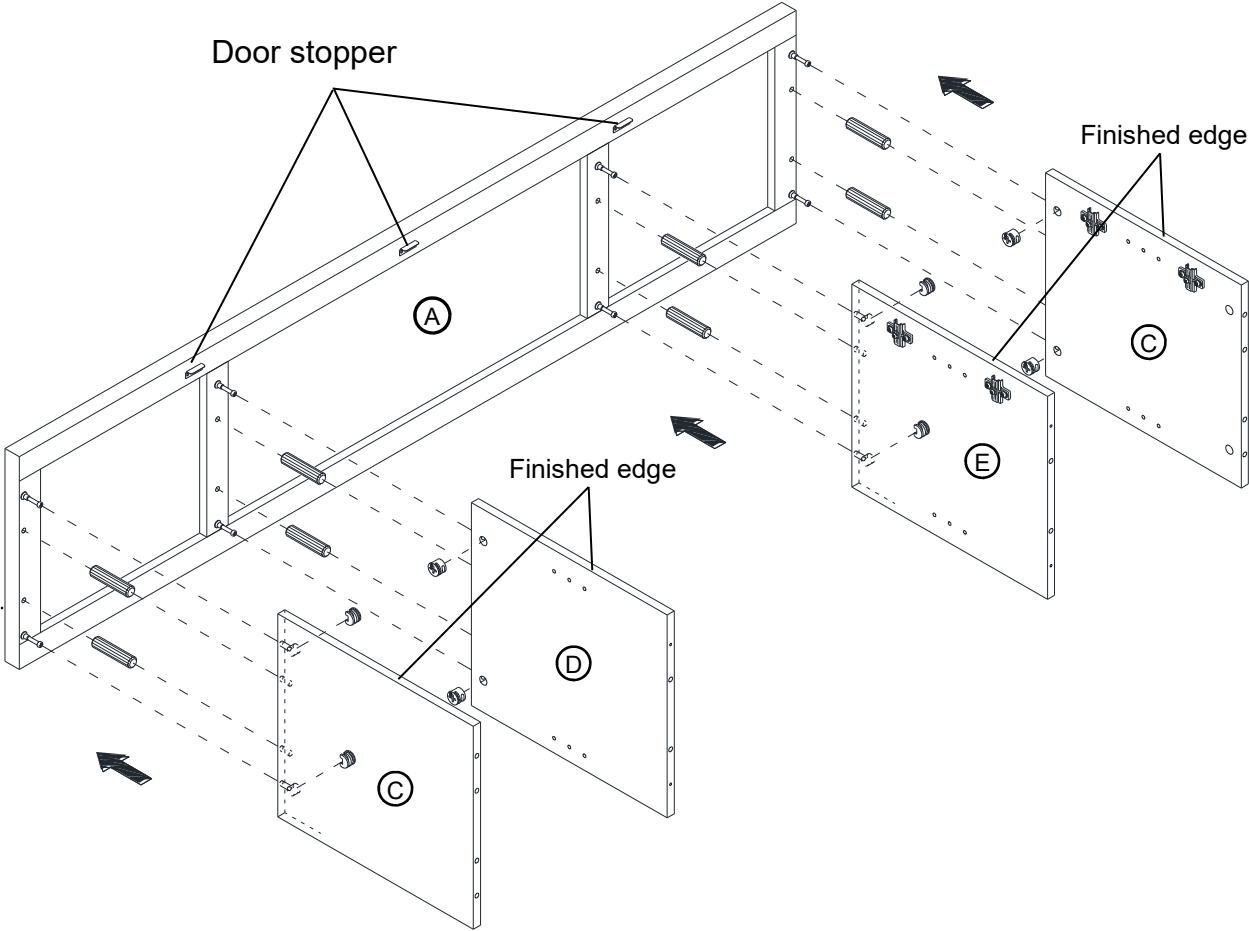
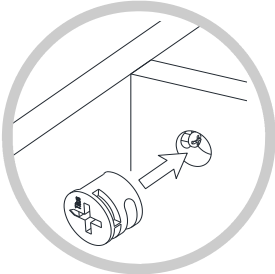


**(H13) x 3**  
door stopper



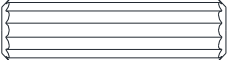
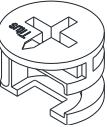
1. Attach three door stoppers to the top panel (A) with the right-angle side facing the front of the unit.

# Step 4.



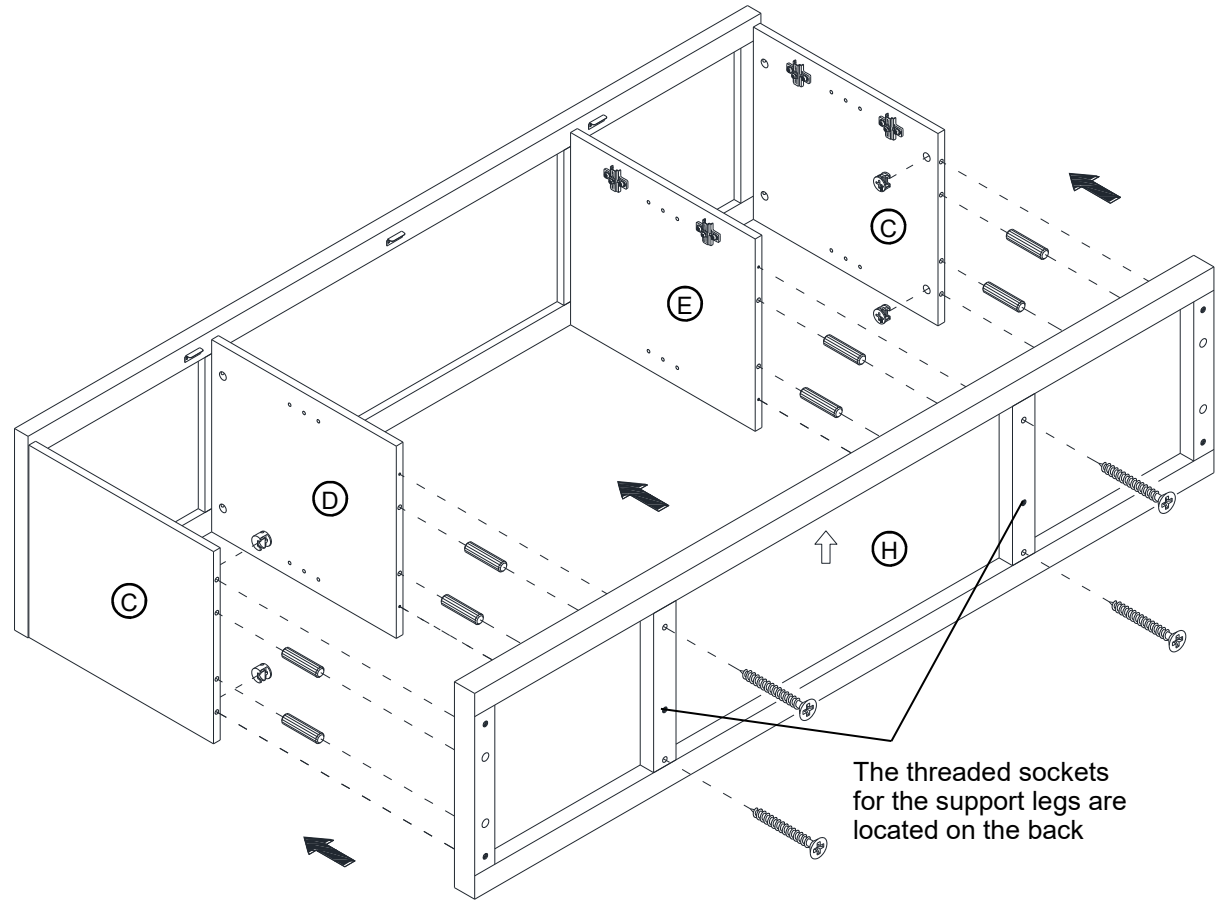
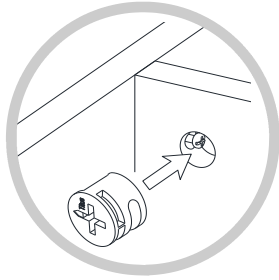
(H1) x 8  
cam lock

(H3) x 8  
M8 x 30 mm wood dowel

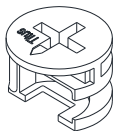


1. Attach left and right side and partition panels (C, D and E) to the top panel (A).

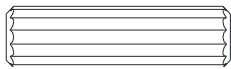
# Step 5.



(H1) x 4  
cam lock



(H3) x 8  
M8 x 30 mm wood dowel



(H8) x 4  
#10 x 50 mm

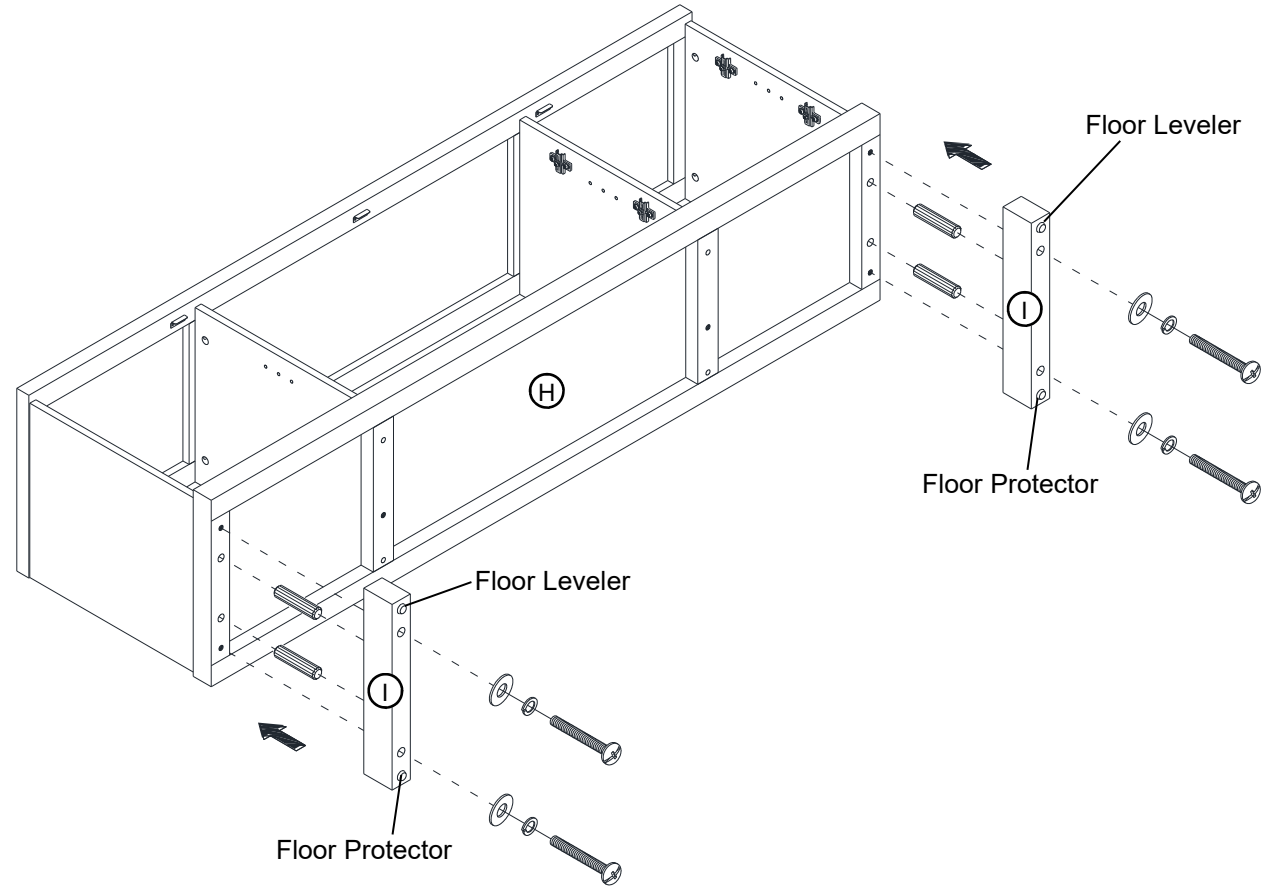


The threaded sockets for the support legs are located on the back

1. Attach the bottom panel (H) to the four vertical panels (C, D and E).

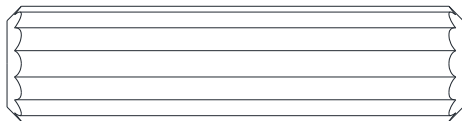
# Step 6.

---

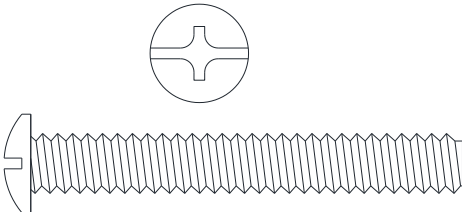


---

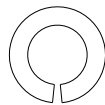
**(H4) x 4**  
M15 x 60 mm wood dowel



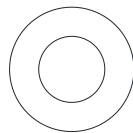
**(H5) x 4**  
5/16" x 2 1/4" bolt



**(H6) x 4**  
lock washer



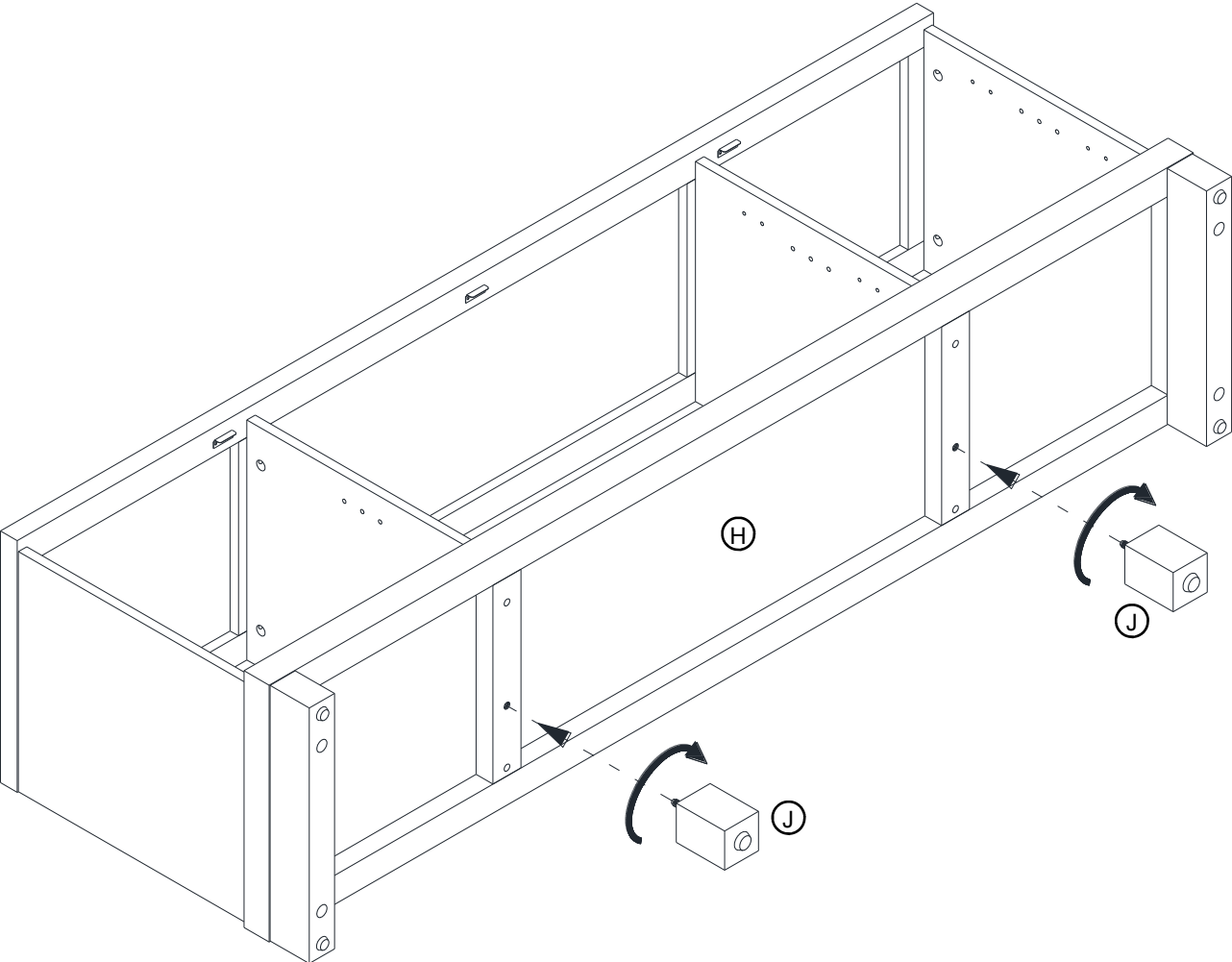
**(H7) x 4**  
flat washer



1. Attach two bottom supports (I) to the bottom panel (H).

# Step 7.

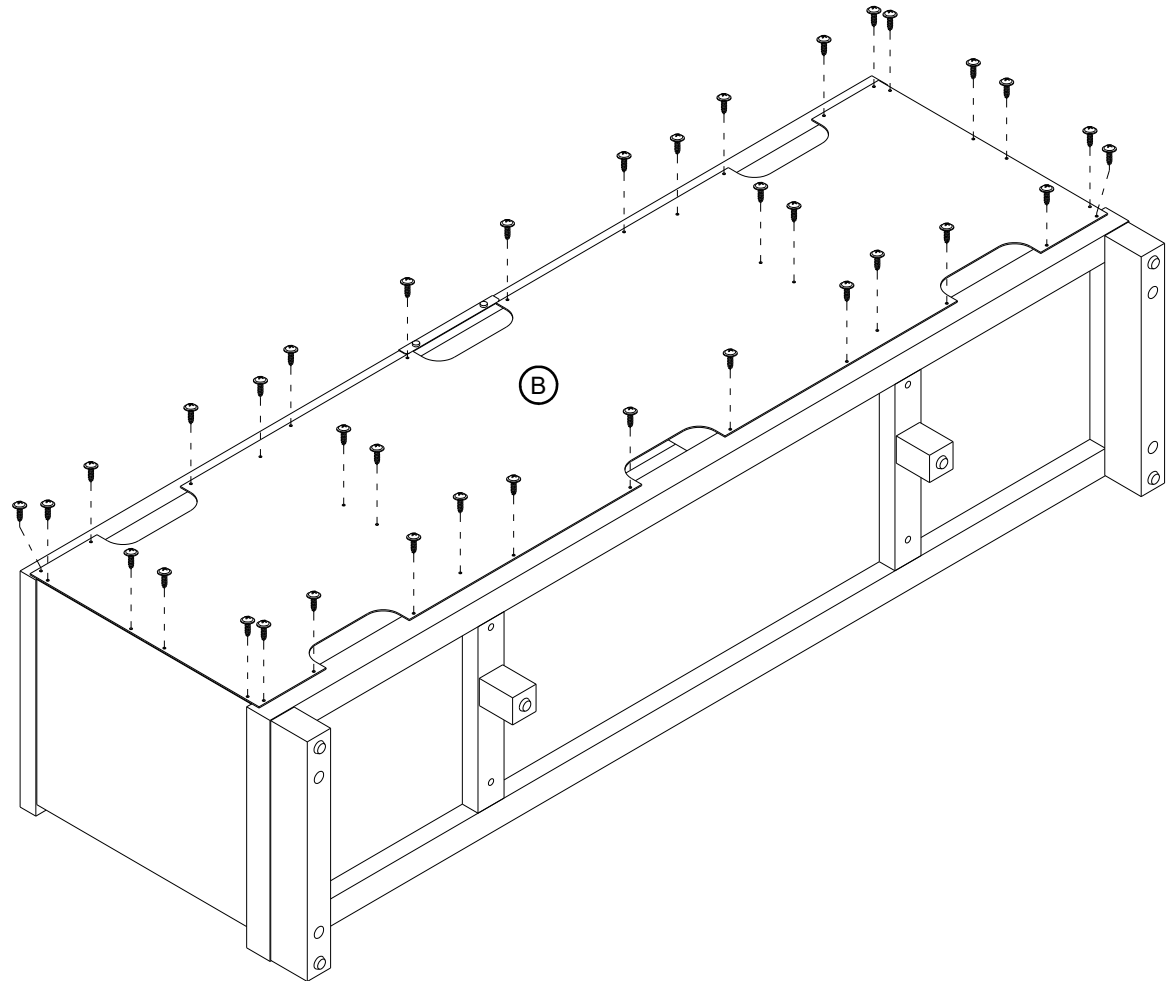
---



1. Securely screw two support legs (J) to the bottom panel (H) and set the floor levelers to the correct height.

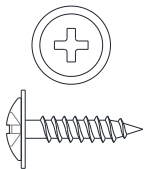
## Step 8.

---



---

**(H10) x 36**  
#5 x 15 mm screw

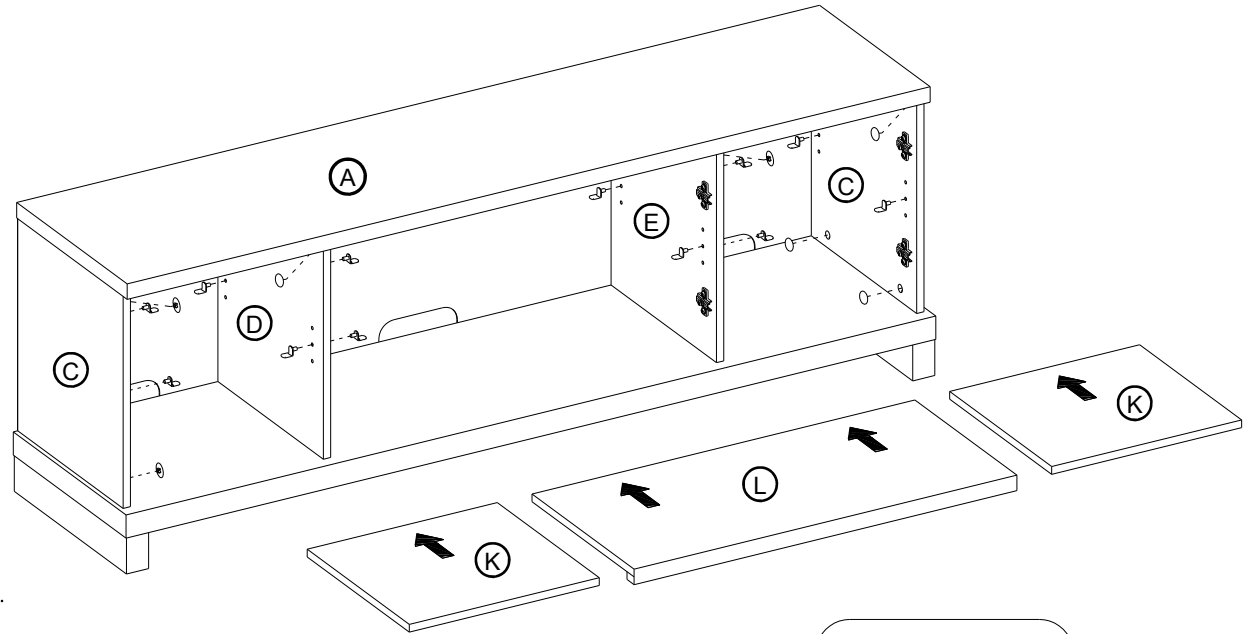


1. Flip around the assembled unit at its front edges.
2. Align and attach the back panel (B) to the backside of the previous assembly, using the pilot holes as a guide. Make sure that the overlaps on the panels are even all the way around.

**NOTE:** We recommend attaching back panel with the screws at the corners first.

## Step 9.

---

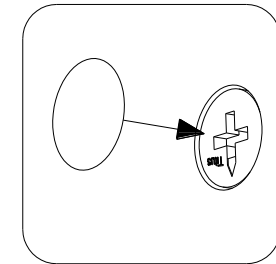
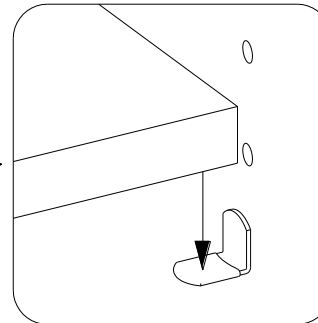
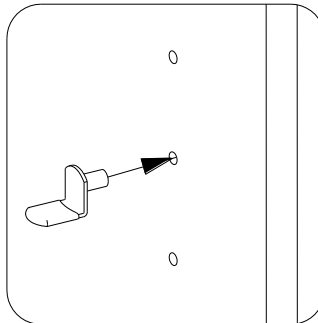
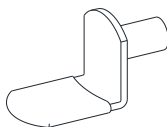


---

**(H11) x 12**  
cam lock cover



**(H12) x 12**  
shelf pin

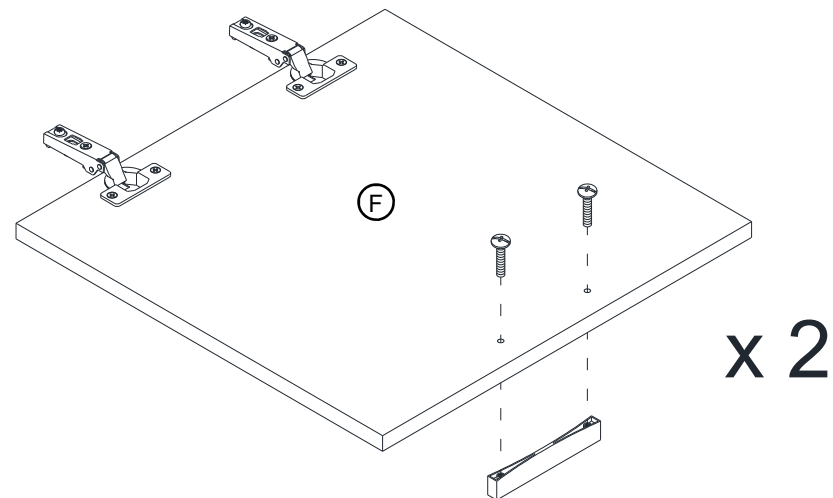


1. Stand the unit upright and insert four shelf pins into the desired holes in the sides of each compartment. Make sure you place the four shelf pins in the same level so the shelf is not tilted.
2. Tilt and rest adjustable shelves (K and L) onto the shelf pins.
3. Plug the cam lock covers (H11) onto the visible cam locks to conceal the cams.



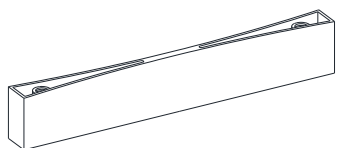
## Step 10.

---

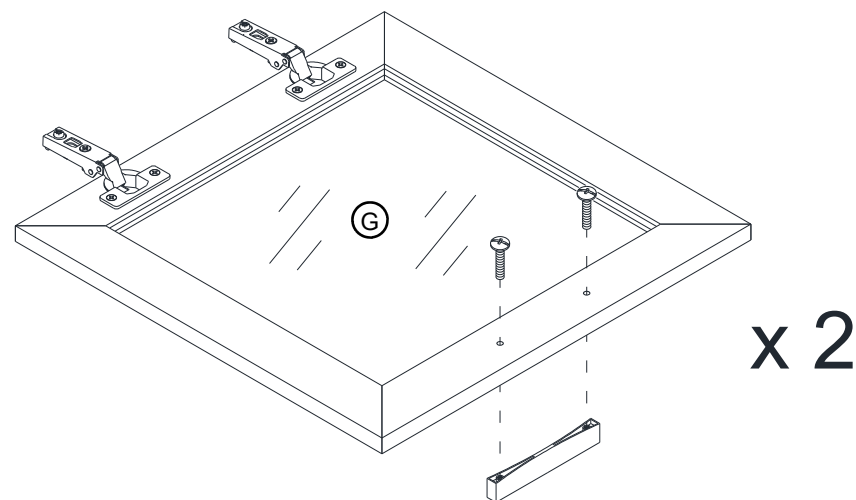
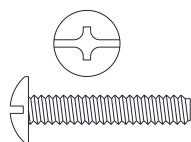


---

**(H14) x 4**  
handle



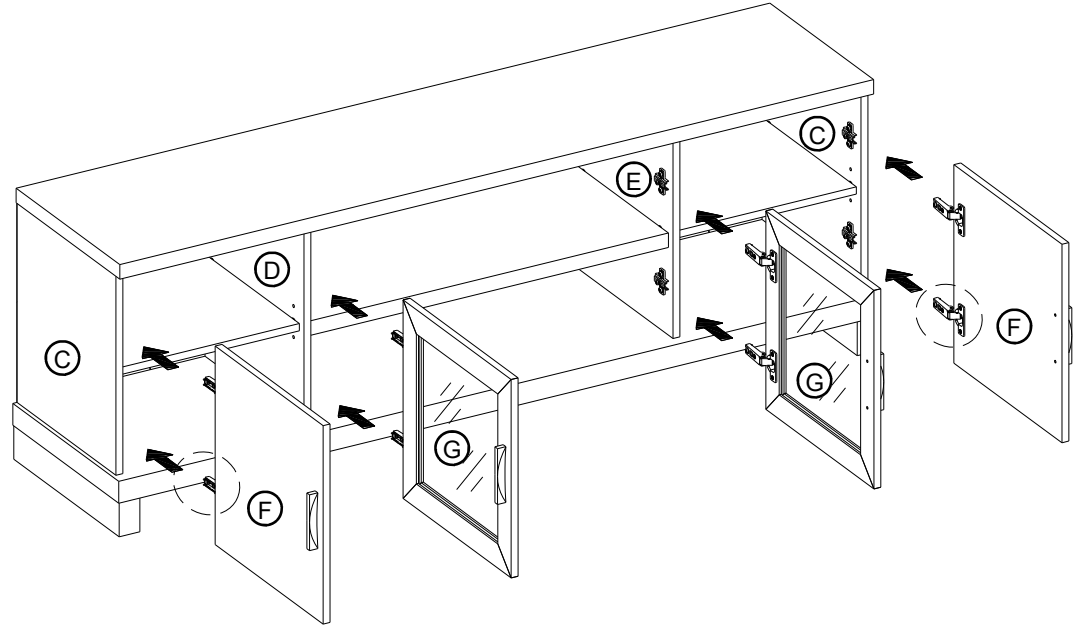
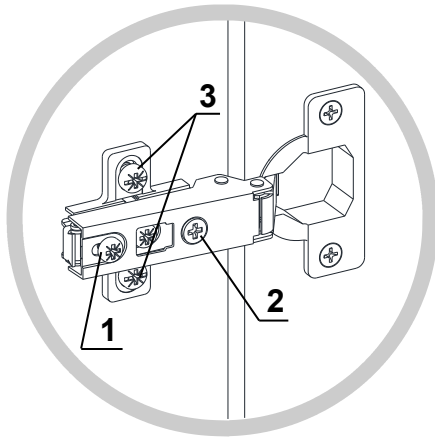
**(H15) x 8**  
22 mm handle bolt



1. Attach one handle (H14) to the front side of each door (F and G).

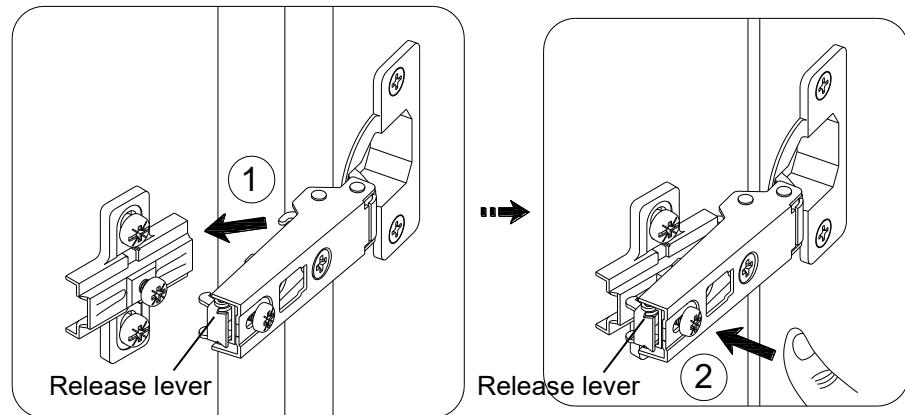
## Step 11.

---



If you find that the doors need to be adjusted slightly, turn the appropriate screw, as illustrated upper.

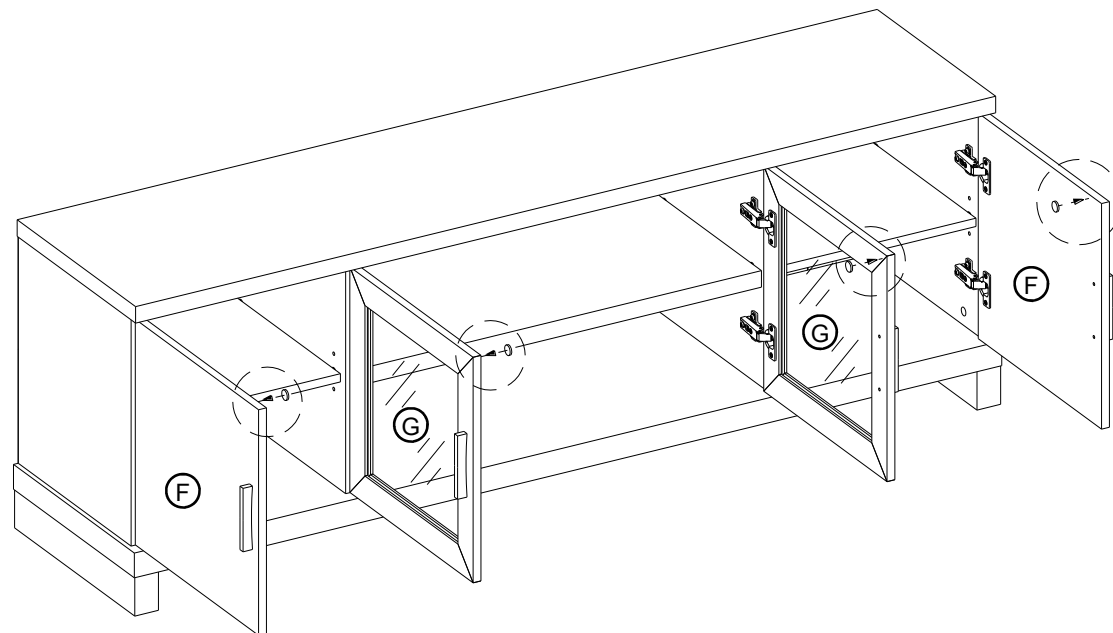
1. TO ADJUST THE DOOR FORWARD OR BACKWARD.
  2. TO ADJUST THE DOOR TO RIGHT OR TO LEFT.
  3. TO ADJUST THE DOOR UP OR DOWN
- 



1. Take one outer door (F) and extend both hinge arms to open position if necessary. Align the back hooks on the bottom of hinge arms with the end slots on the hinge bases on the left side panel (C). Press the front end of hinge arms to snap the front hooks into place. Make sure that the two hinges work and function properly. **NOTE:** If the hinge arms do not snap/lock properly, press in the release lever at the end of hinge arm to remount the hinges.
2. Repeat the same procedure to attach the other outer door (F) and inner doors (G) to the unit.
3. Open and close the doors to make sure they are aligned and shut correctly. If necessary, adjust the screws for a good fit.

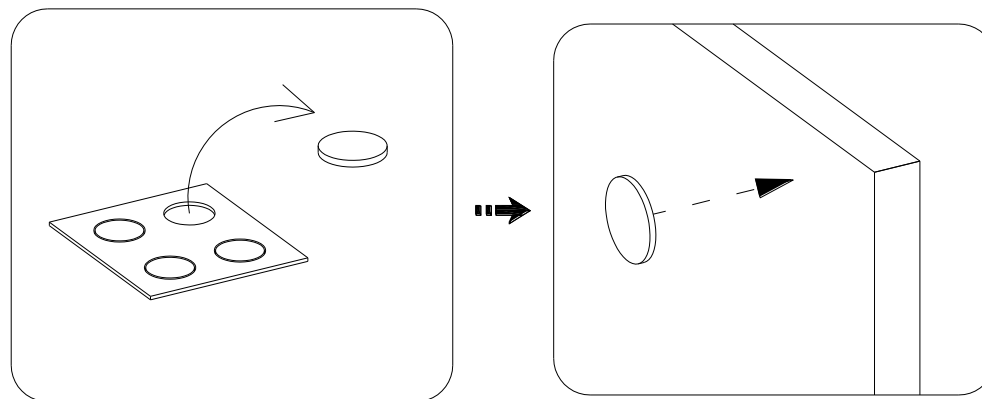
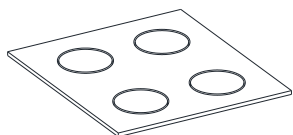
## Step 12.

---



---

**(H16) x 4**  
rubber bumper



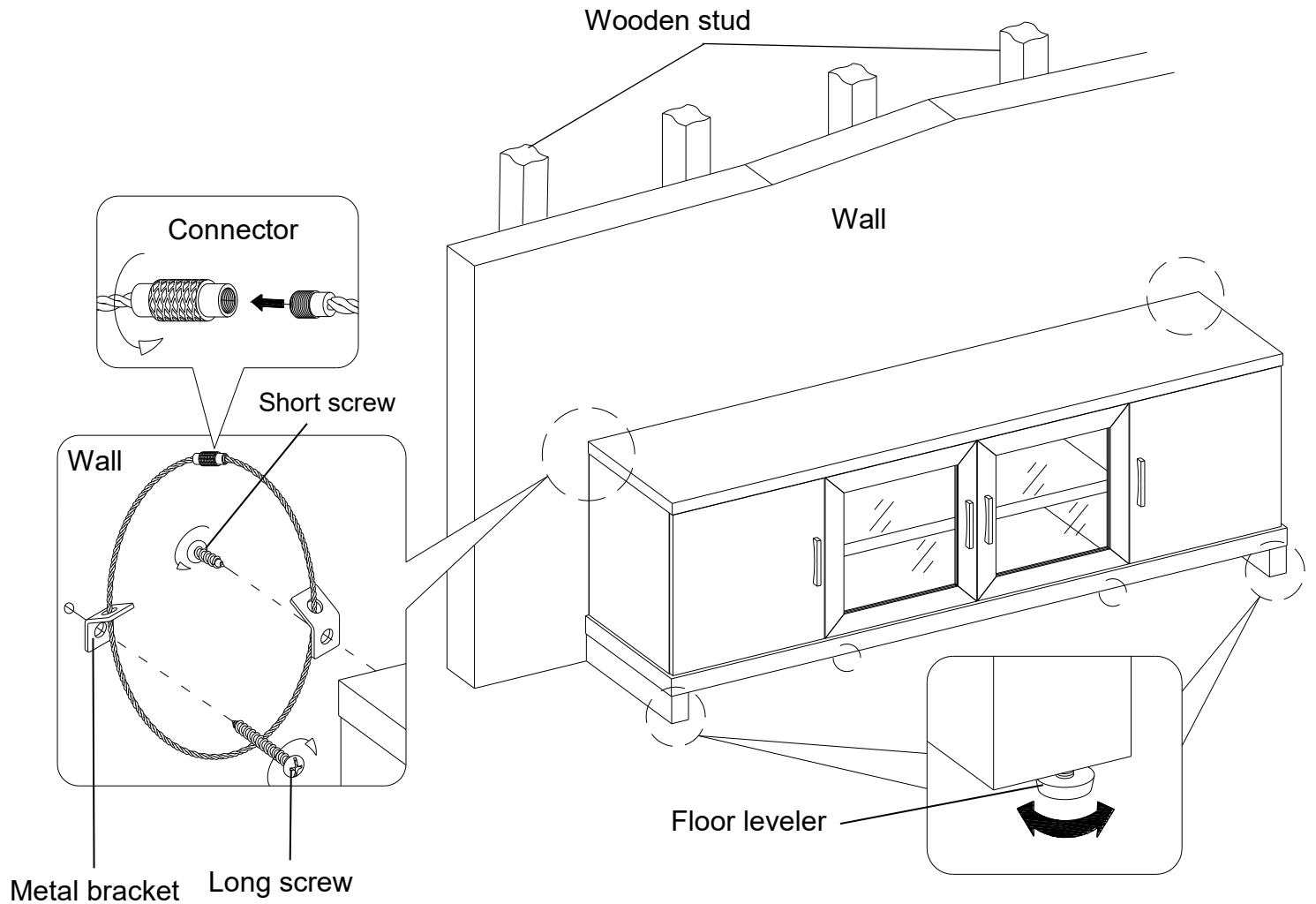
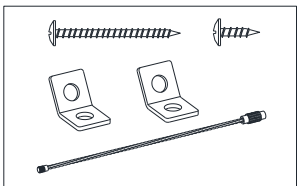
1. Stick one rubber bumper (H16) onto the upper front corner of each door (F and G) where it comes in contact with the installed stoppers (H13) as shown.

## Step 13.

---



(H18) x 2  
tipping restraint hardware kit  
(inside plastic bag)



Tools required: Phillips screwdriver, stud finder, power drill and 1/8" drill bit.

1. Follow the instructions printed on plastic bag containing tipping restraint hardware to attach tip-over restraint between the unit and wall.

**NOTE:** You must use this tipping restraint to attach this unit to the wall, to prevent accidents and/or injuries.

## Care and maintenance

- Use a soft, clean cloth that will not scratch the surface when dusting.
- Use of furniture polish is not necessary. Should you choose to use polish, test first in an inconspicuous area.
- Using solvents of any kind on your furniture may damage the finish.
- Never use water to clean your furniture as it may cause damage to the finish.
- Always use coasters under beverage glasses and flowerpots.
- Liquid spills should be removed immediately. Using a soft, clean cloth, blot the spill gently. Avoid rubbing.
- Always use protective pads under hot dishes and plates. Heat can cause chemical changes that may create spotting within the furniture finish.
- Stains or marks from crayons or ink markers will be difficult to remove.
- In the event that your furniture is stained or otherwise damaged during use, we recommend that you call a professional to repair your furniture.
- Check bolts/screws and nuts periodically and tighten them if necessary.

## Further advice about wood furniture care

It is best to keep your furniture in a climate-controlled environment. Extreme temperature and humidity changes can cause fading, warping, shrinking and splitting of wood. It is advised to keep furniture away from direct sunlight as sun may damage the finish.

Proper care and cleaning at home will extend the life of your purchase. Following these important and helpful tips will enhance your furniture as it ages.

We hope you enjoy your purchase for many years.  
Thank you for your purchase!

## QUALITY GUARANTEE

We are confident that you will be delighted with your Whalen Furniture purchase.

Should this product be defective in workmanship or materials or fail under normal use, we will repair or replace it for up to one (1) year from date of purchase. Every Whalen Furniture product is designed to meet your highest expectations. We guarantee that you will immediately see the value of our fine furniture.

This warranty gives you specific legal rights and you may also have other rights which vary from State to State or province to province.

Customer Service: 1-855-MYTGTHOME (855-698-4846)  
8:30 a.m. - 4:30 p.m., PST, Monday to Friday  
[www.whalenfurniture.com](http://www.whalenfurniture.com)

 **WARNING**

Please use your furniture correctly and safely. Improper use can cause safety hazards, or damage to your furniture or household items. Carefully read the following safety information.

Death or serious injury may occur when children climb on audio and/or video equipment furniture. A remote control or toys placed on the furnishing may encourage a child to climb on the furnishing and as a result may tip over onto the child.

**NEVER** allow children to climb or play with the TV or furnishing supporting the TV.

**NEVER** place toys, food, remote, etc. on top of the TV or TV furnishing.

**ALWAYS** use either the safety hardware as instructed or other wall anchoring device.

Relocating audio and/or video equipment to furniture not specifically designed to support audio and/or video equipment may result in death or serious injury due to furniture collapse or over turning onto a child.

**NEVER** place a TV on furniture that is not intended to support a TV.

**NEVER** exceed the maximum size and weight of the TV shown in the instructions.

Be sure to refer to the TV warning label as shown in the instructions.

Overloading drawers and shelves may result in furniture that can break or sag, or tip-over which may result in injury.

**NEVER** exceed the weight limits shown in the instructions.

Place the heavier items on lower shelves as far back from the front as possible.

Load the bottom surfaces first to avoid top-heavy furniture.

Moving furniture that is not designed to be moved or equipped with casters may result in injury or damage to furnishings or personal property.

**ALWAYS** unload shelves and drawers, starting with the top surfaces, before moving.

**NEVER** push or pull furniture on carpet. Have a friend help lift properly to move and/or reposition it.

The stand is not meant as a seat and no one should be sitting or standing on the stand.

**Questions?** Just call 1-855-MYTGTHOME (855-698-4846) for parts and service. For faster service, have the style number and DPCI number ready when calling.

