



THRESHOLD™

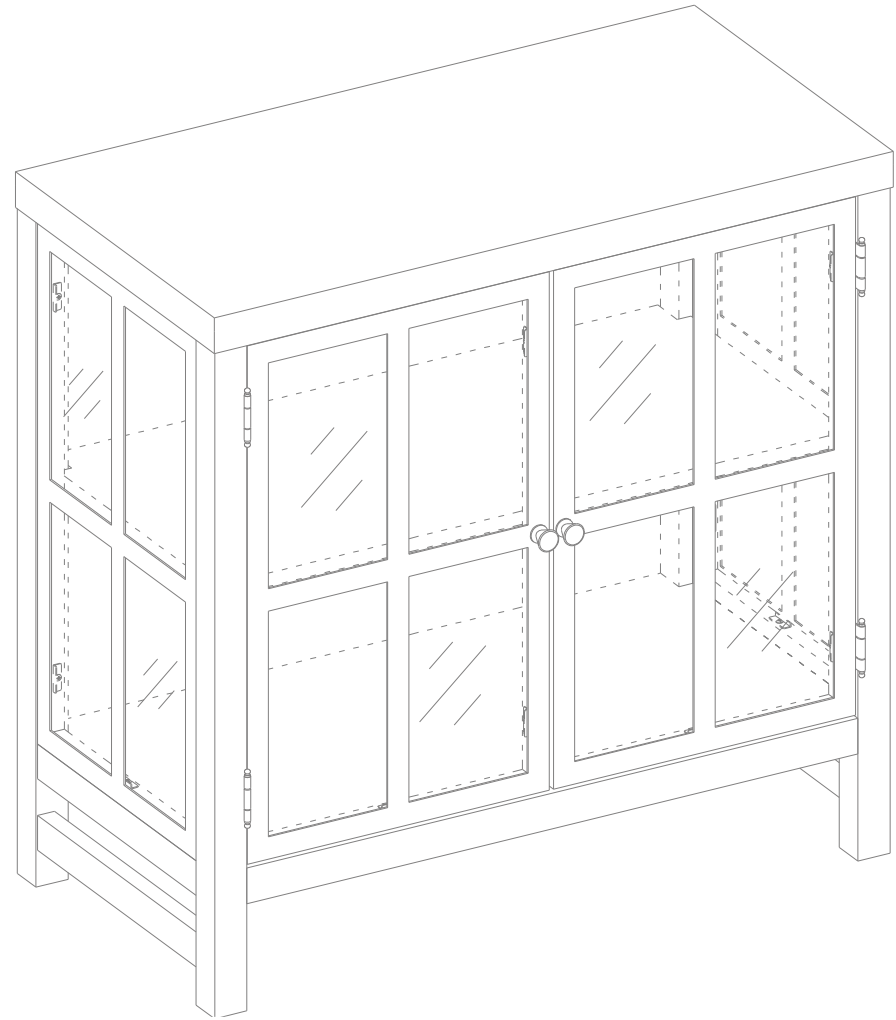
— *designed with* —

STUDIO MCGEE

Bountiful Wood & Glass 2 Door Cabinet

Style # TGT32CB

DPC-item #: 249-17-2197



>> Assembly instructions



Congratulations on your latest Target purchase.

Now what? Don't start sweating over this box of parts. This will be easy. We did the hard work for you. All you need to do is follow our simple instructions and you'll be on your way to transforming your room in no time. Good luck – though we're confident you won't need it.

before you begin

1. Check for damaged or missing parts. Call 1-855-MYTGTHOME (855-698-4846) to order missing supplies.
2. Use the carton as a work surface to prevent product damage during assembly.
3. Gather all tools prior to assembly.

IMPORTANT / IMPORTANTE



BILT.

Scan for easy 3D instructions

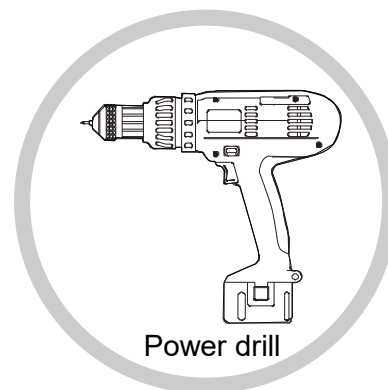
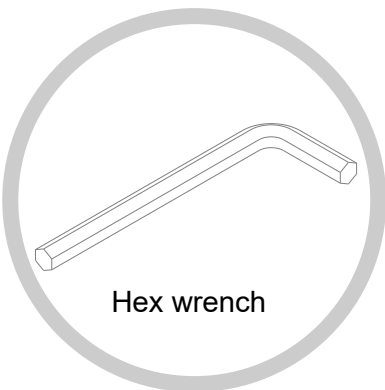
Scannez pour des instructions faciles en 3D

Escanea para instrucciones fáciles en 3D

Download on the App Store

GET IT ON Google Play

tools needed (only hex wrench included)



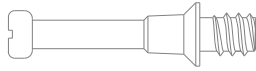
For tipping restraint hardware kit only.

hardware

(H1) x 4
cam lock



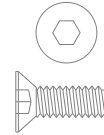
(H2) x 4
cam bolt



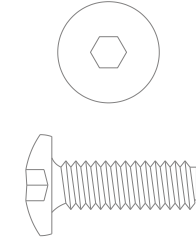
(H3) x 8
M8 x 30 mm
wood dowel



(H4) x 16
M4 x 12 mm bolt



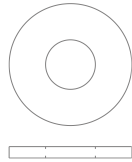
(H5) x 4
1/4" x 3/4" bolt



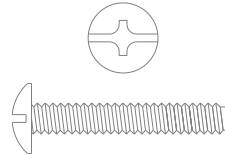
(H6) x 4
lock washer



(H7) x 4
flat washer



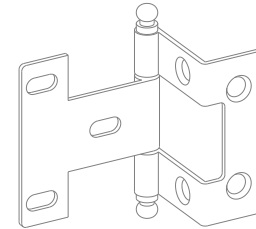
(H8) x 2
M4 x 25 mm
knob bolt



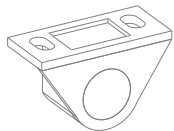
(H9) x 2
knob



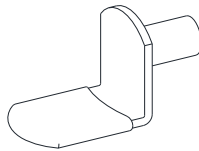
(H10) x 4
door hinge



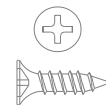
(H11) x 2
door catch



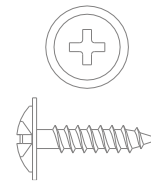
(H12) x 4
shelf support



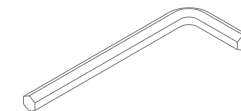
(H13) x 16
M3.5 x 12 mm screw



(H14) x 16
M3.5 x 15 mm
washer head screw

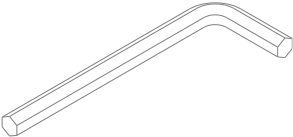


(H15) x 1
small hex wrench

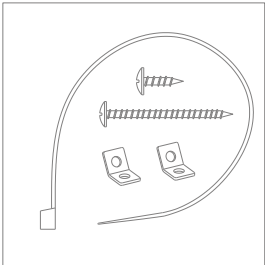


hardware

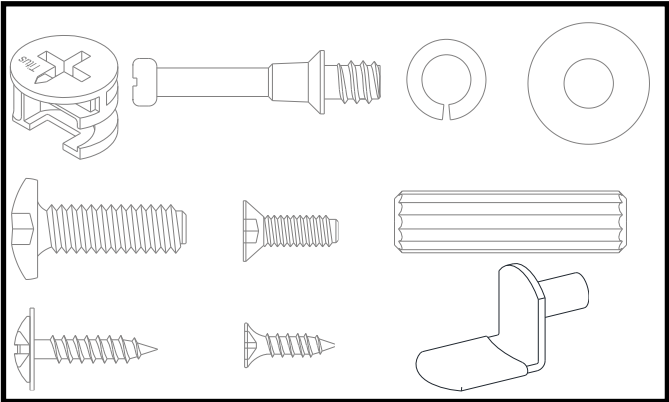
(H16) x 1
large hex wrench



(H17) x 1
tipping restraint hardware kit
(inside plastic bag)

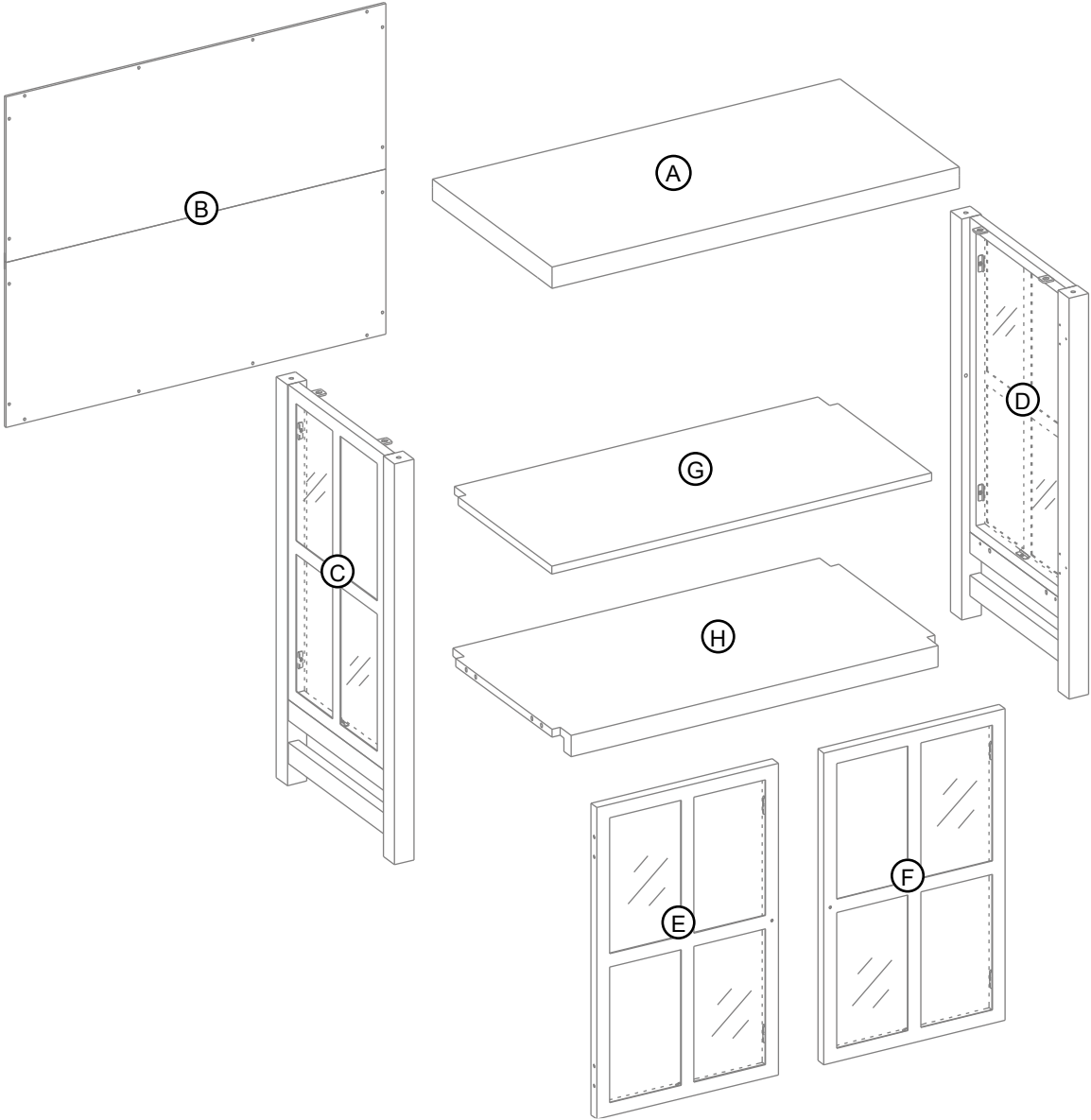


Spare hardware

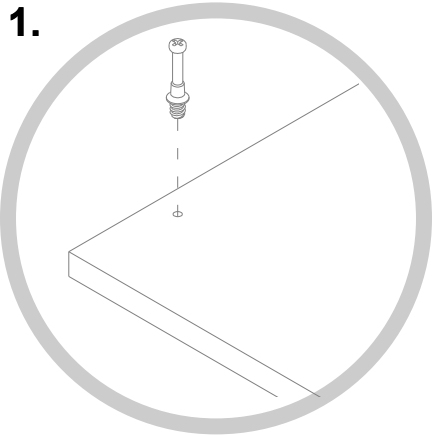


exploded diagram

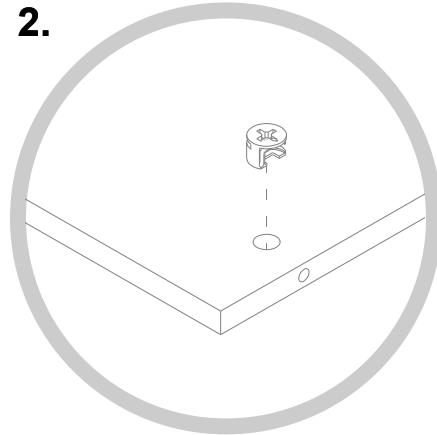
ITEM	DESCRIPTION	QTY
A	Top panel	1
B	Back panel	1
C	Left side frame	1
D	Right side frame	1
E	Left door	1
F	Right door	1
G	Shelf	1
H	Bottom panel	1



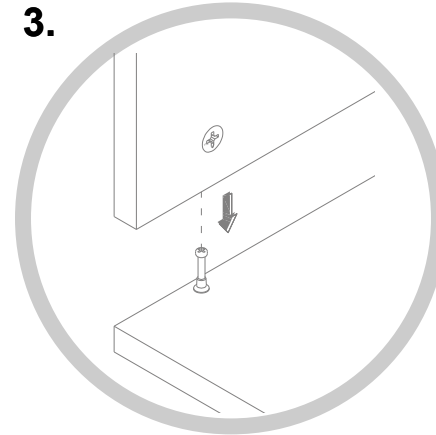
how to use the cam lock system



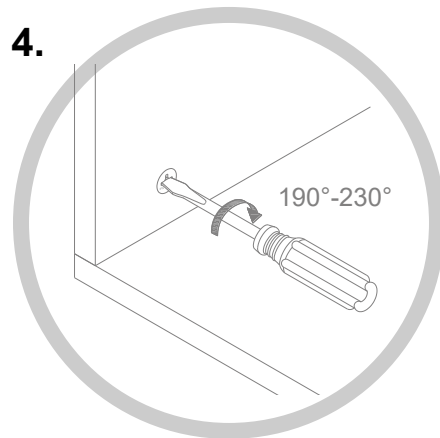
Screw cam bolt into panel



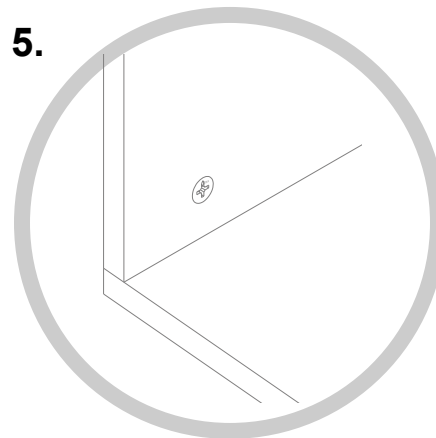
Push cam into panel - arrow feature on cam top points to panel edge



Align cam bolt(s) with cam(s) and insert all the way into cross-bored hole(s)

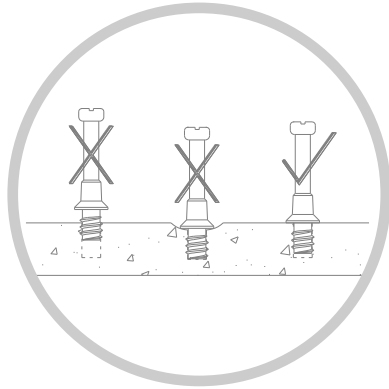


Rotate cam(s) clockwise 190°-230° to lock panels together

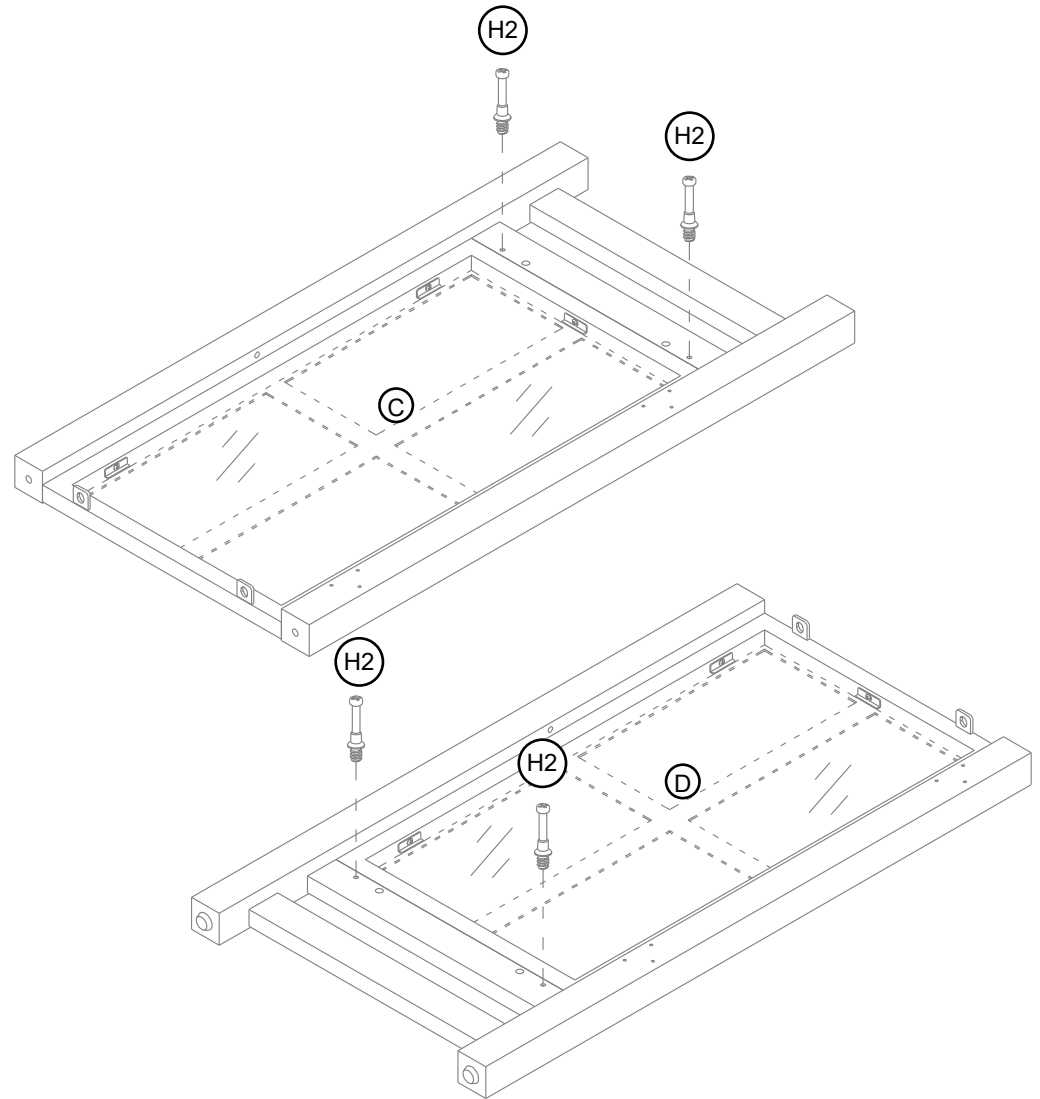
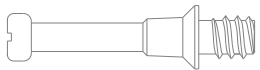


Panels should be tight against each other and connection should be rigid

step 1: prepare the side frames assembly



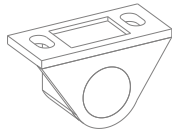
(H2) x 4
cam bolt



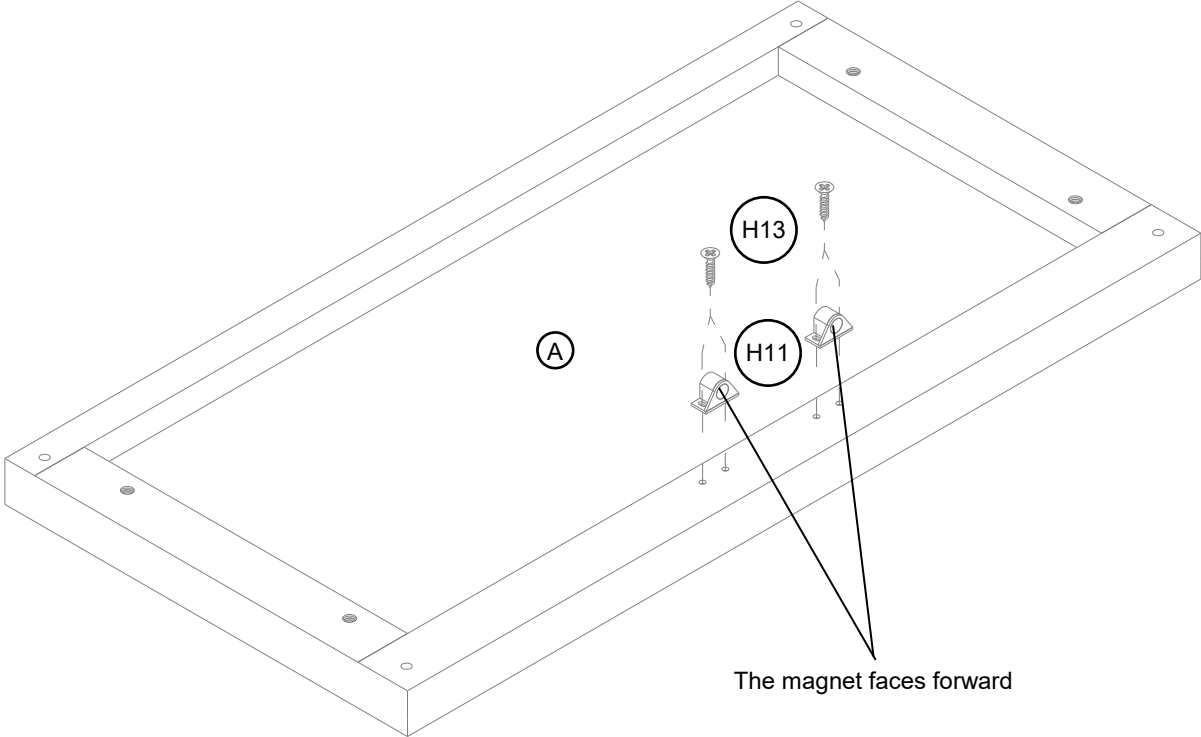
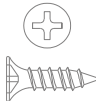
1.1. Securely screw the cam bolts (H2) into the designated small holes on the side frames (C and D).

step 2: attach the door catches to the top panel

(H11) x 2
door catch

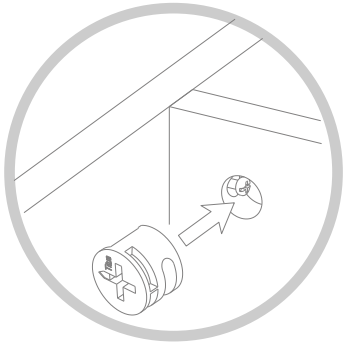


(H13) x 4
M3.5 x 12 mm screw



2.1. Using the pilot holes as a guide, attach two door catches (H11) to the top panel (A) as shown, with two 12 mm screws (H13) per door catch.

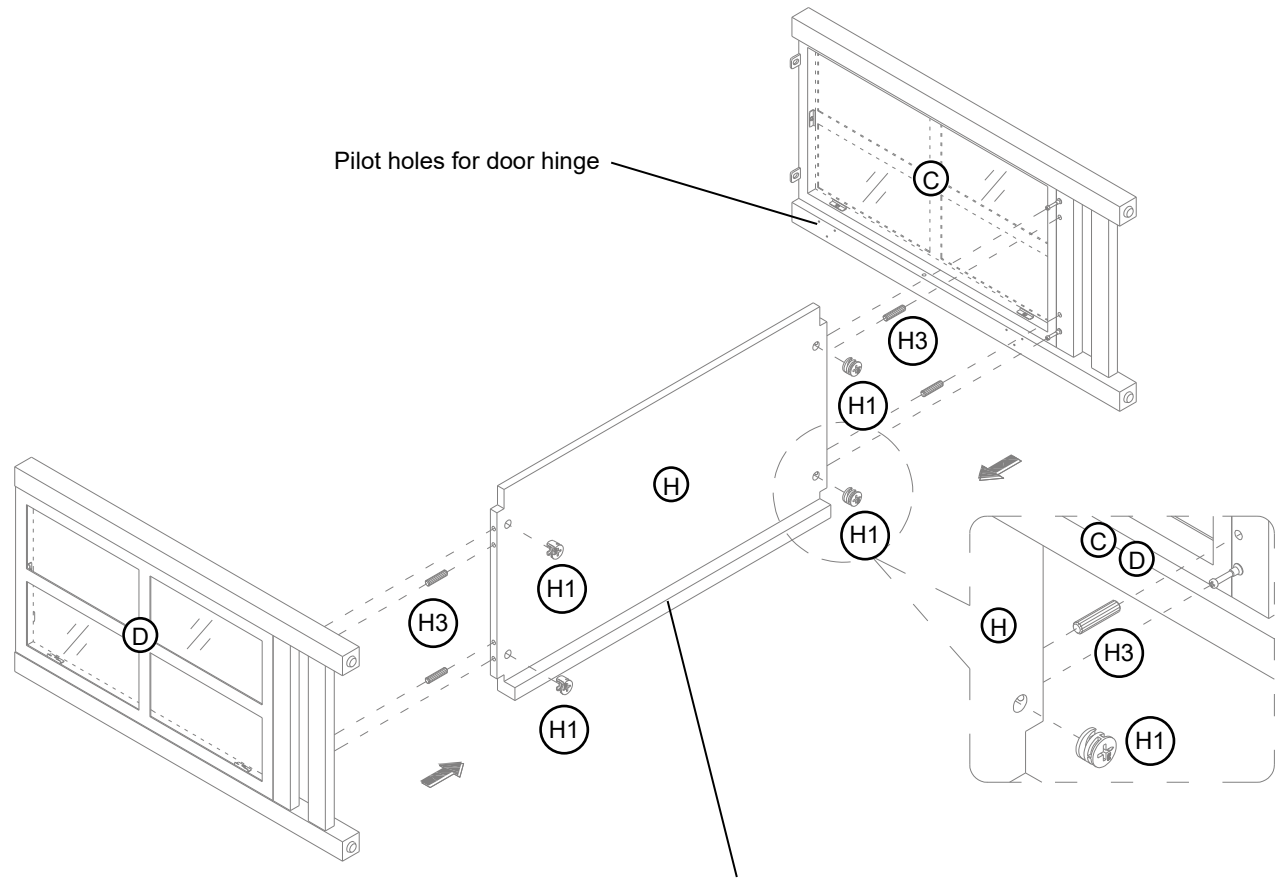
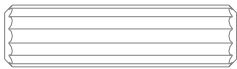
step 3: attach the bottom panel between the side frames



(H1) x 4
cam lock



(H3) x 4
M8 x 30 mm wood dowel

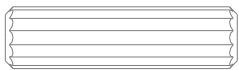


- 3.1. Insert four wood dowels (H3) into the inner holes of bottom panel (H) at both ends.
- 3.2. Align and attach the bottom panel (H) between the side frames (C and D) by engaging four cam locks (H1).

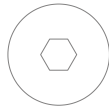
step 4: attach the top panel to both side frames

NOTE: DO NOT fully tighten all bolts until you finish assembling all parts. Once assembled, go back and fully tighten all bolts. This will make the assembly easier.

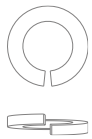
(H3) x 4
M8 x 30 mm wood dowel



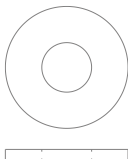
(H5) x 4
1/4" x 3/4" bolt



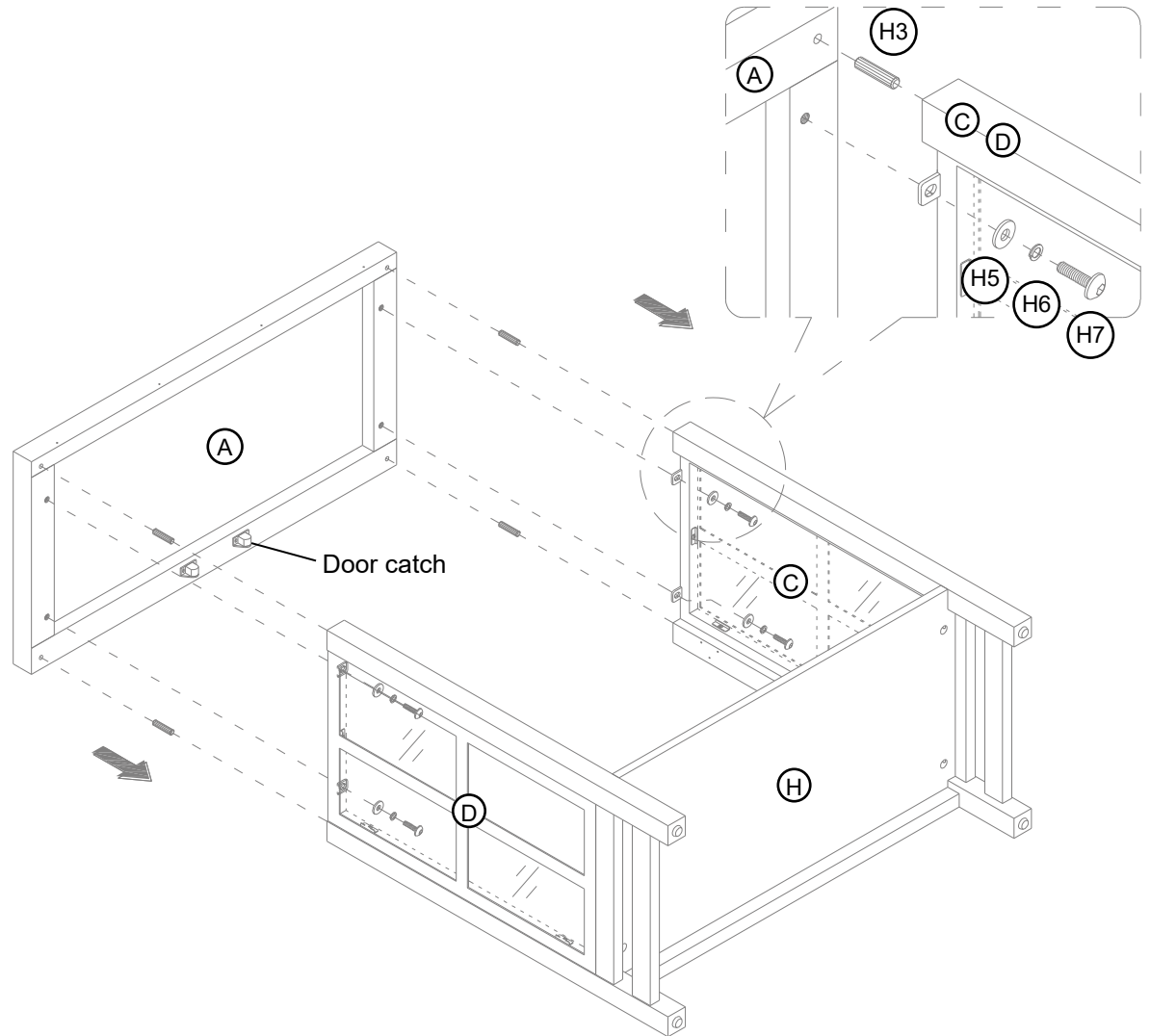
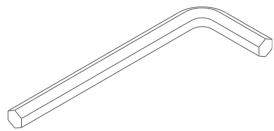
(H6) x 4
lock washer



(H7) x 4
flat washer



(H16) x 1
large hex wrench



4.1. Insert four wood dowels (H3) into the top holes drilled on the posts of both side frames (C and D).

4.2. Orient and align the corner holes underneath the top panel (A) with the inserted wood dowels on the side frames (C and D).

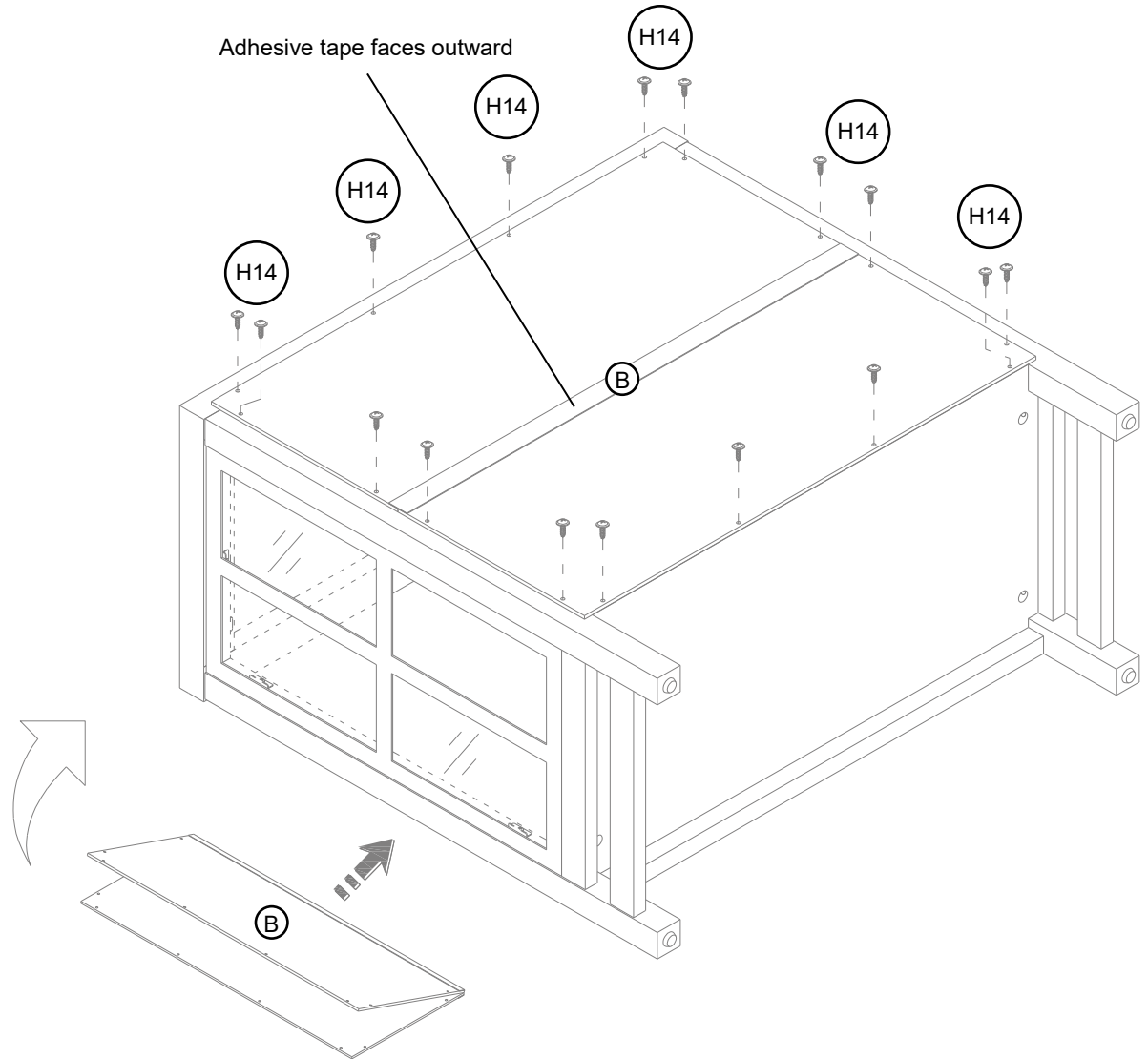
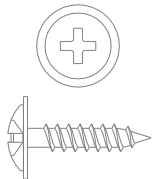
4.3 Insert the 3/4" bolts (H5) with lock washers (H6) and flat washers (H7) through the metal tabs on both side frames (C and D) and screw into the threaded inserts on the top panel (A).

step 5: attach the back panel to the unit



CAUTION: Heavy! You may need assistance with this step.

(H14) x 16
M3.5 x 15 mm
washer head screw



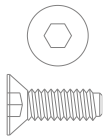
- 5.1. Now, go back and tighten all cam locks and screws. Make sure all the parts are tight and there are no gaps between the parts. This will help keep the unit square.
- 5.2. Unfold the back panel (B) and position it onto the back edges of the assembly. Make sure that the overlaps on the panels are even all the way around. Secure the back panel (B) in place with the washer head screws (H14), using the pilot holes as a guide.

NOTE: DO NOT use power tools. We recommend attaching back panel with the screws at the corners first.

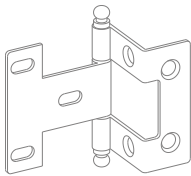
step 6: install the door hinges

NOTE: DO NOT fully tighten all bolts until you finish assembling all parts. Once assembled, go back and fully tighten all bolts. This will make the assembly easier.

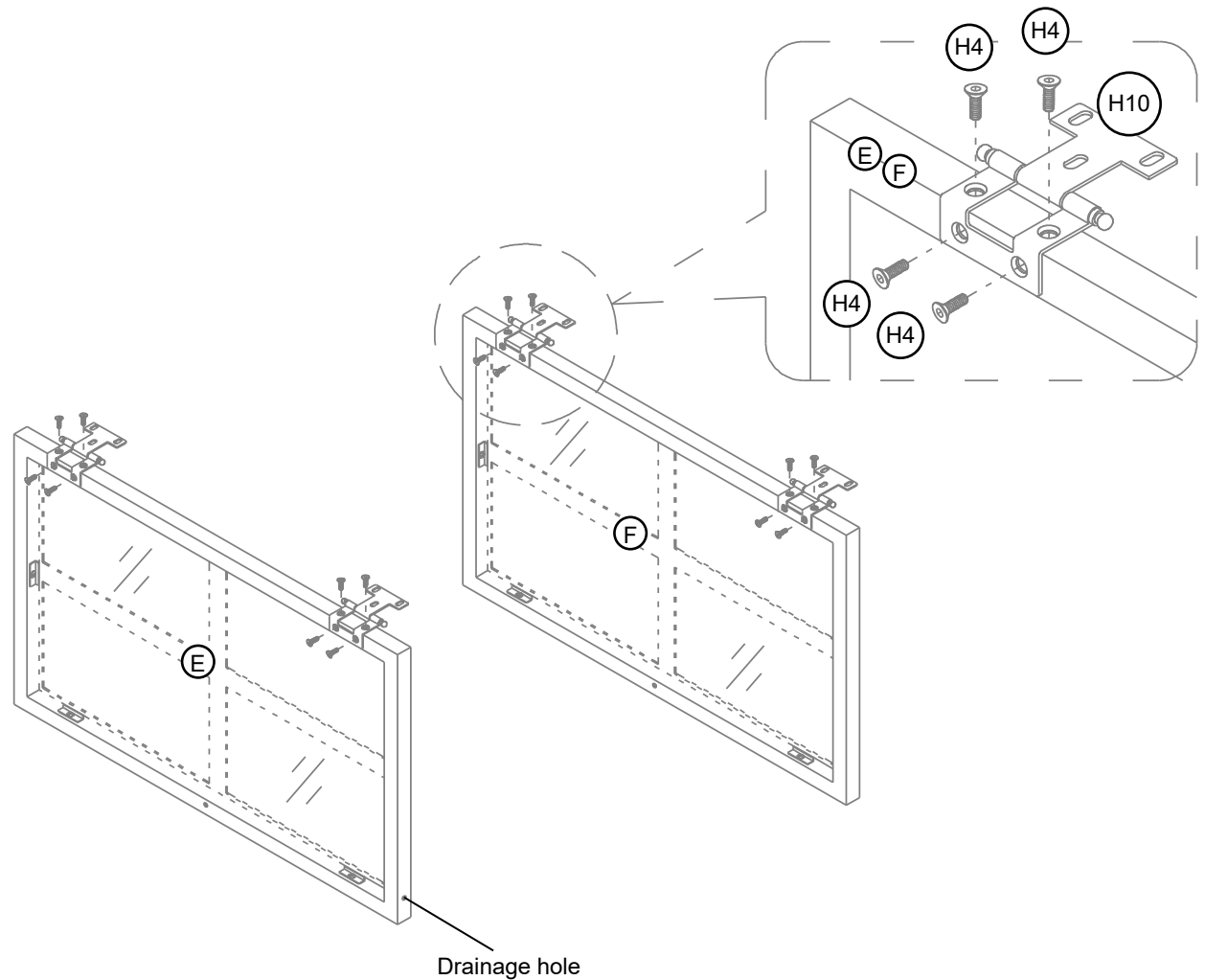
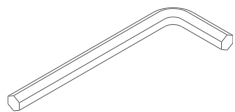
(H4) x 16
M4 x 12 mm bolt



(H10) x 4
door hinge



(H15) x 1
small hex wrench



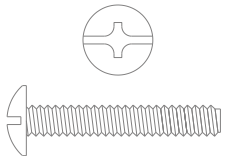
- 6.1. Unfold one door hinge and attach the door leaf to the top portion of left door (E) with four 12mm bolts (H4).
- 6.2. Repeat the some procedure to install the remaining door hinges (H10) to the doors (E and F).

step 7: install the doors and knobs



CAUTION: Heavy! You may need assistance with this step.

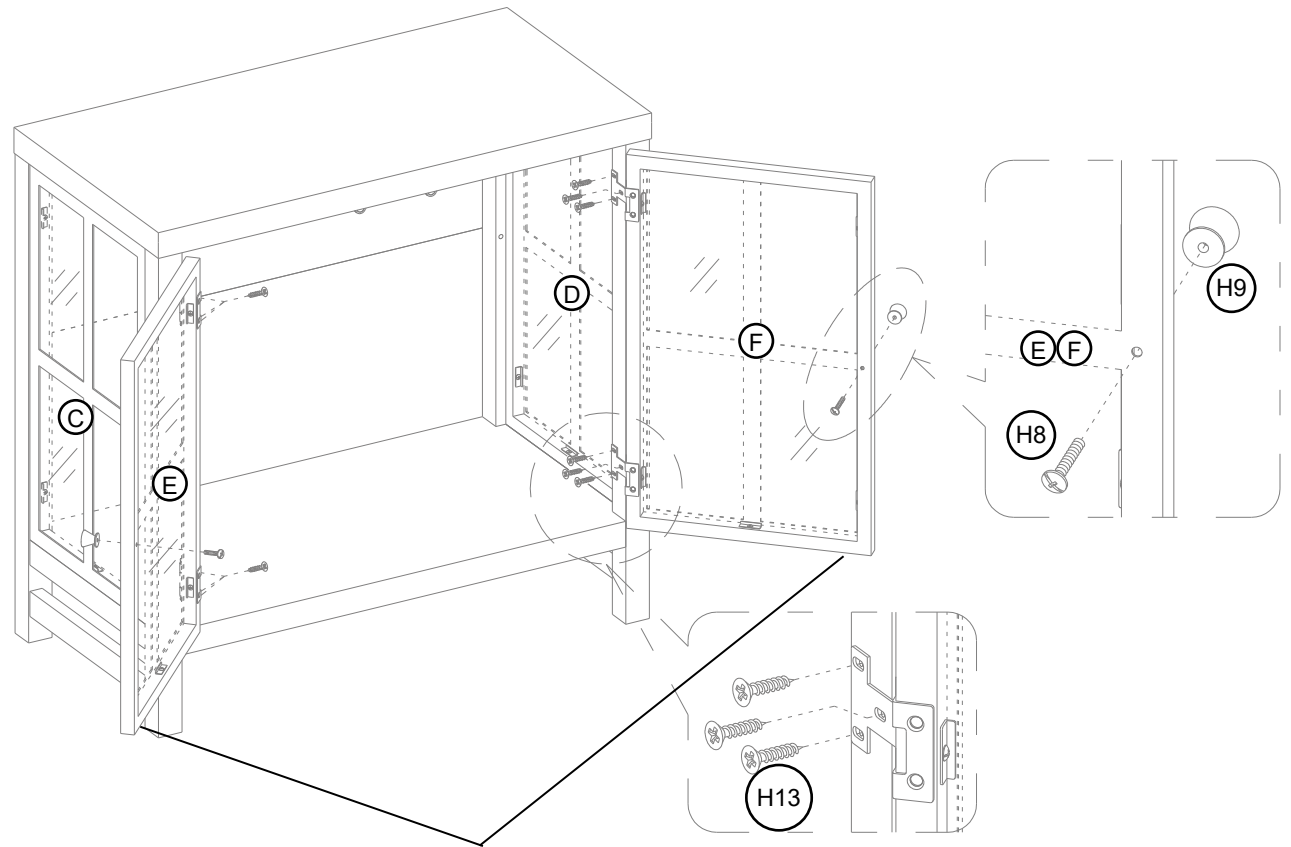
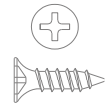
(H8) x 2
M4 x 25 mm knob bolt



(H9) x 2
knob



(H13) x 12
M3.5 x 12 mm screw

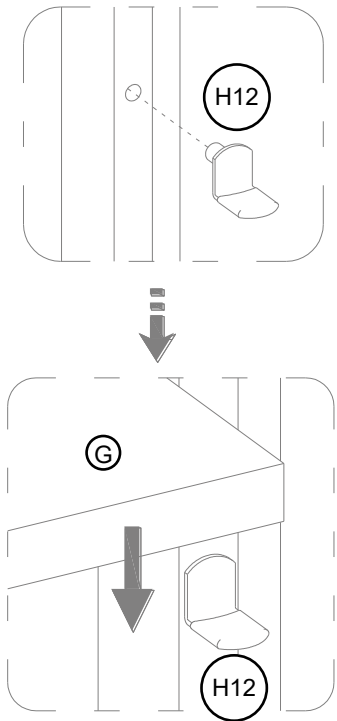
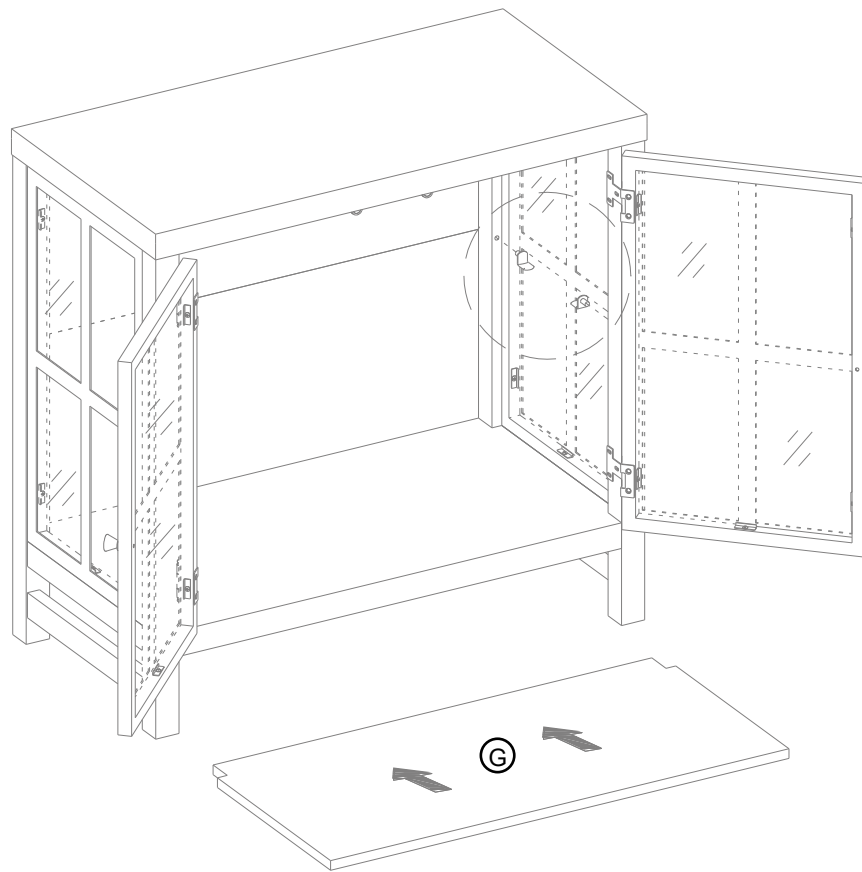
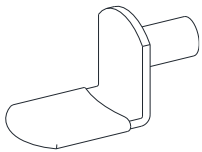


Drainage holes face downward

- 7.1. Ask for assistance to lift the assembled unit upright and position it near the final location.
- 7.2. Using the pilot holes as a guide, attach the left door (E) to the left side frame (C) with three 12mm screws(H13) per frame leaf.
- 7.3. Fasten one knob (H9) to the front side of the left door (E) with one 25 mm bolt (H8).
- 7.4. Repeat the same process with the right door (F).

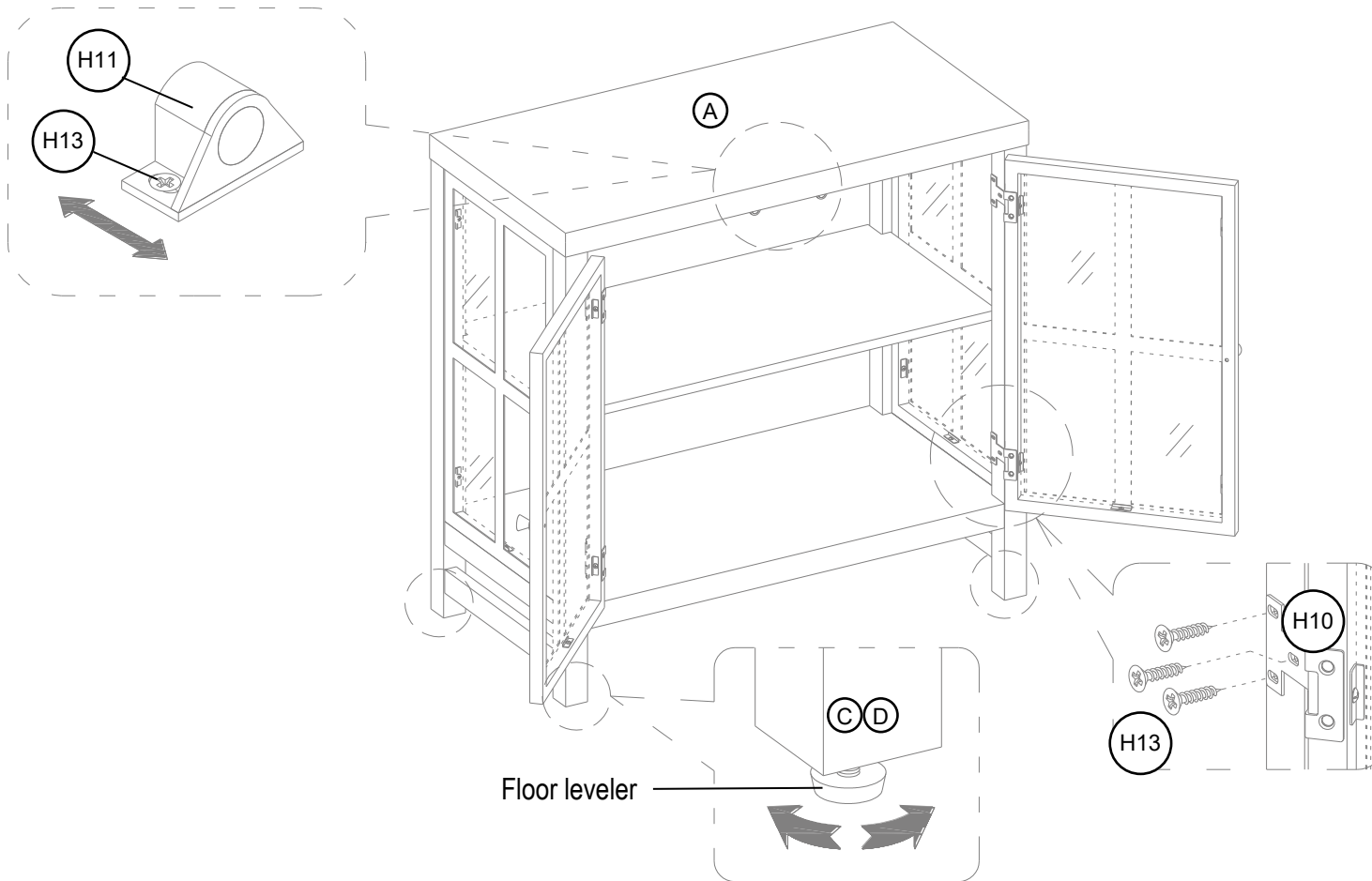
step 8: install the shelf

(H12) x 4
shelf support



- 8.1. Open the doors and insert four shelf supports (H12) into the holes pre-drilled on the side frame posts.
- 8.2. Tilt and rest the shelf (G) onto the shelf supports (H12).

step 9: correct the doors alignment



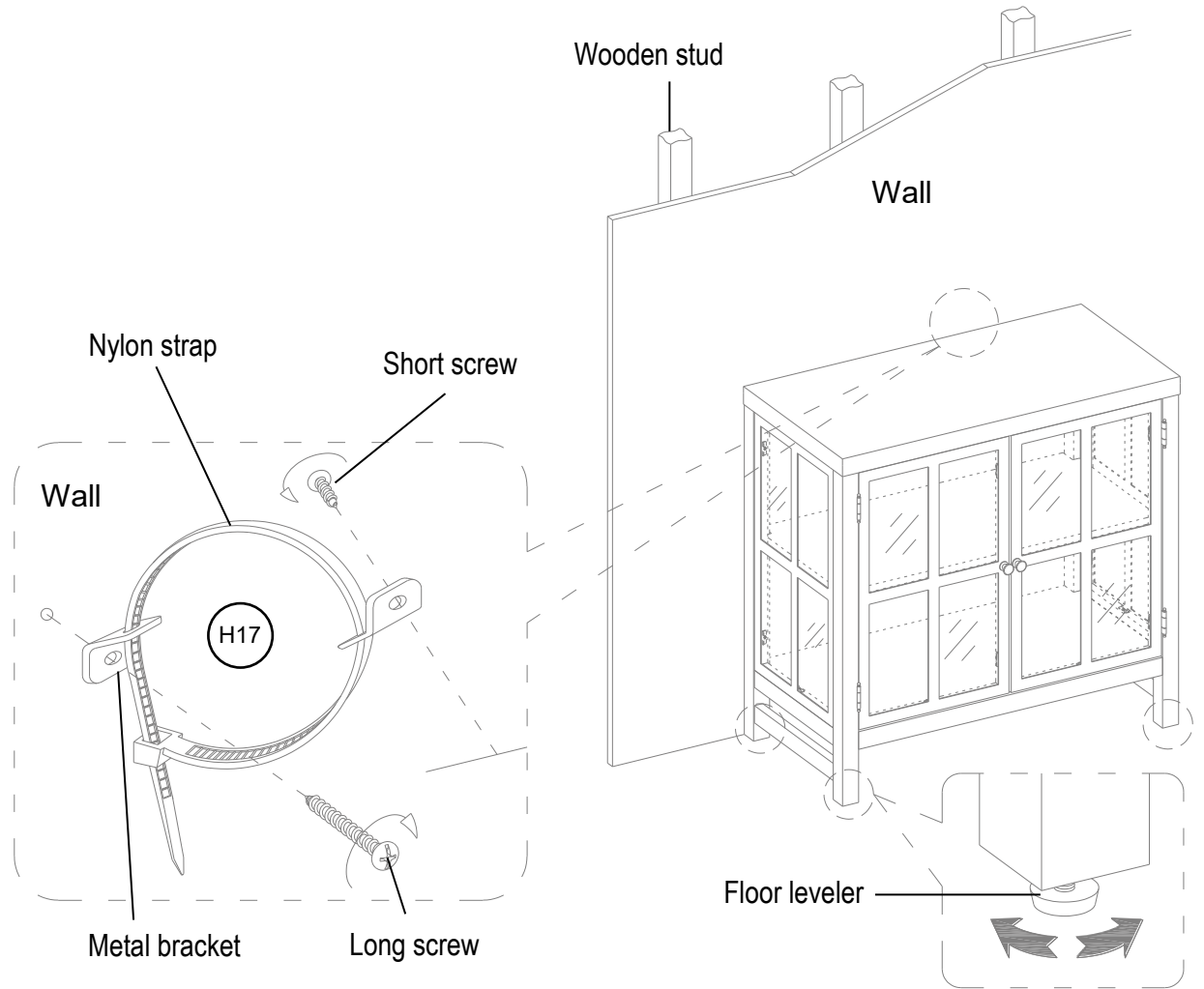
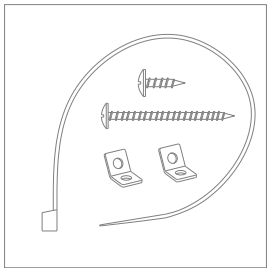
NOTE: Open and close the doors and adjust the gaps to make sure they are aligned and shut correctly.
If you find that the doors do not close properly or do not align correctly, please follow these steps:

- 9.1. Adjust the floor levelers pre-attached underneath the side frames (C and D) to level the doors.
- 9.2. The door catches (H11) can be adjusted to ensure that the doors function properly. This can be done by moving the catches forward and back.
- 9.3. Open the doors and loosen the installed screws (H13) on the door hinges (H10) and adjust properly for a good fit.
- 9.4. Once the doors function properly, go back and tighten all the screws.

step 10: install the tipping restraint hardware kit



(H17) x 1
tipping restraint hardware kit
(inside plastic bag)



Tools required: Phillips screwdriver, stud finder, tape measure, pencil, power drill and 1/8" drill bit (not provided).

10.1. Adjust the pre-attached floor levelers to level the unit against a wall.

10.2. Follow the instructions printed on plastic bag containing tipping restraint hardware to attach tip-over restraint between the unit and wall.

NOTE: You can share the back panel screw hole for the anti-tipping hardware. You must use this tipping restraint to attach this unit to the wall, to prevent accidents and/or injuries.

Care and Maintenance

- Use a soft, clean cloth that will not scratch the surface when dusting.
- Use of furniture polish is not necessary. Should you choose to use polish, test first in an inconspicuous area.
- Using solvents of any kind on your furniture may damage the finish.
- Never use water to clean your furniture as it may cause damage to the finish.
- Always use coasters under beverage glasses and flowerpots.
- Liquid spills should be removed immediately. Using a soft, clean cloth, blot the spill gently. Avoid rubbing.
- Always use protective pads under hot dishes and plates. Heat can cause chemical changes that may create spotting within the furniture finish.
- Stains or marks from crayons or ink markers will be difficult to remove.
- In the event that your furniture is stained or otherwise damaged during use, we recommend that you call a professional to repair your furniture.
- Check bolts/screws and nuts periodically and tighten them if necessary.

Further Advice about Wood Furniture Care

It is best to keep your furniture in a climate-controlled environment. Extreme temperature and humidity changes can cause fading, warping, shrinking and splitting of wood. It is advised to keep furniture away from direct sunlight as sun may damage the finish.

Proper care and cleaning at home will extend the life of your purchase. Following these important and helpful tips will enhance your furniture as it ages.

We hope you enjoy your purchase for many years.
Thank you for your purchase!

QUALITY GUARANTEE

We are confident that you will be delighted with your Whalen Furniture purchase.

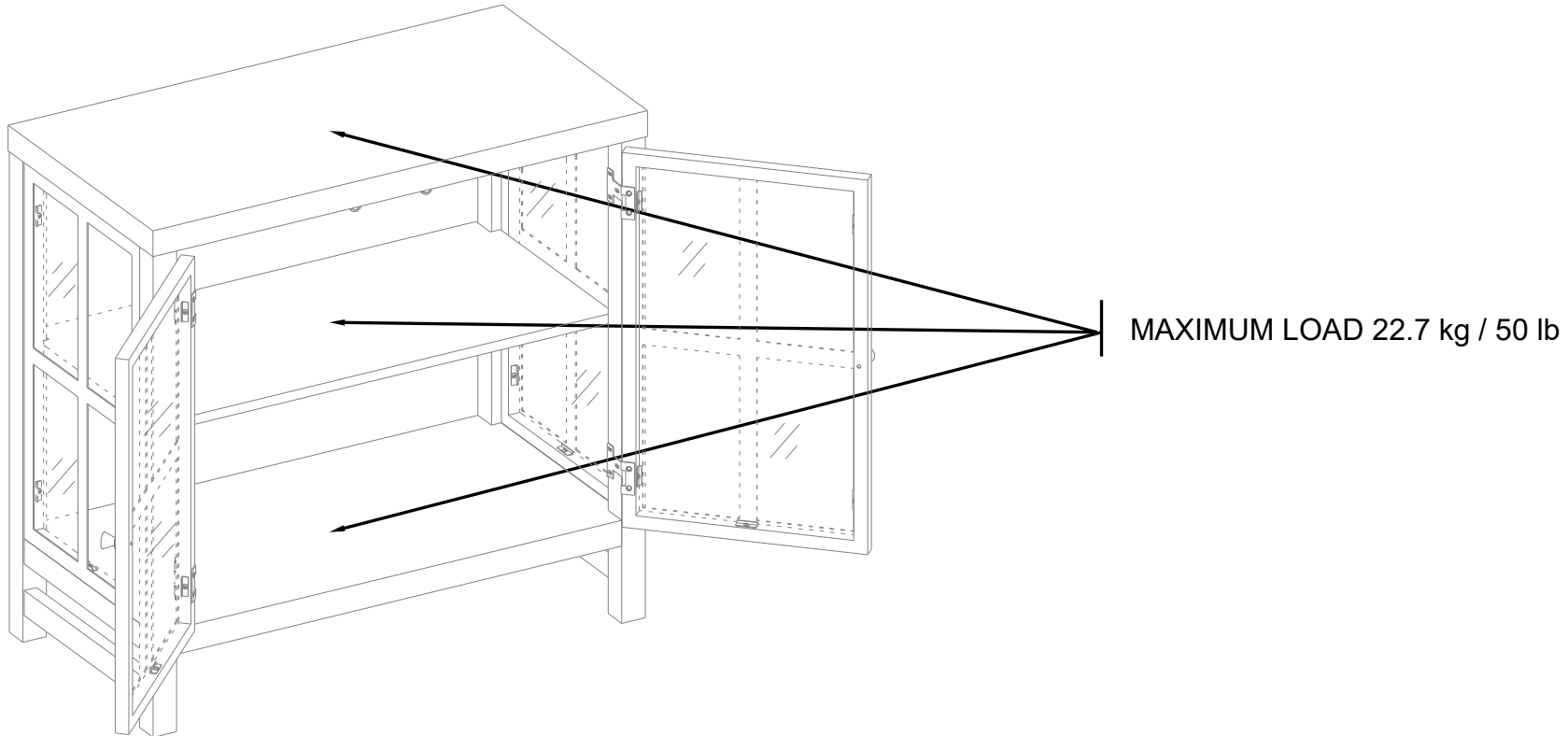
Should this product be defective in workmanship or materials or fail under normal use, we will repair or replace it for up to one (1) year from date of purchase. Every Whalen Furniture product is designed to meet your highest expectations. We guarantee that you will immediately see the value of our fine furniture.

This warranty gives you specific legal rights and you may also have other rights which vary from state to state or province to province.

Customer Service: 1-855-MYTGTHOME (855-698-4846)
8:30 a.m. - 4:30 p.m., PST, Monday to Friday
www.whalenfurniture.com

MAXIMUM RECOMMENDED WEIGHT LOADS

MANUFACTURER: Whalen Furniture Manufacturing
CATALOG: Bountiful Wood & Glass 2 Door Cabinet
MODEL # TGT32CB



WARNING

THIS UNIT IS INTENDED ONLY FOR USE WITHIN THE MAXIMUM WEIGHTS INDICATED. USE WITH LOADS HEAVIER THAN THE MAXIMUM WEIGHTS INDICATED MAY RESULT IN INSTABILITY, CAUSING POSSIBLE INJURY.

The maximum recommended weight allowance is 22.7 kg / 50 lb for top surface, shelf and bottom panel.

 **WARNING**

Please use your furniture correctly and safely. Improper use can cause safety hazards, or damage to your furniture or household items. Carefully read the following safety information.

Death or serious injury may occur when children climb on audio and/or video equipment furniture. A remote control or toys placed on the furnishing may encourage a child to climb on the furnishing and as a result may tip over onto the child.

NEVER allow children to climb or play with the TV or furnishing supporting the TV.

NEVER place toys, food, remote, etc. on top of the TV or TV furnishing.

ALWAYS use either the safety hardware as instructed or other wall anchoring device.

Relocating audio and/or video equipment to furniture not specifically designed to support audio and/or video equipment may result in death or serious injury due to furniture collapse or over turning onto a child.

NEVER place a TV on furniture that is not intended to support a TV.

NEVER exceed the maximum size and weight of the TV shown in the instructions.

Be sure to refer to the TV warning label as shown in the instructions.

Overloading drawers and shelves may result in furniture that can break or sag, or tip-over which may result in injury.

NEVER exceed the weight limits shown in the instructions.

Place the heavier items on lower shelves as far back from the front as possible.

Load the bottom surfaces first to avoid top-heavy furniture.

Moving furniture that is not designed to be moved or equipped with casters may result in injury or damage to furnishings or personal property.

ALWAYS unload shelves and drawers, starting with the top surfaces, before moving.

NEVER push or pull furniture on carpet. Have a friend help lift properly to move and/or reposition it.

DO NOT use this unit as a seating surface.

FURNITURE TIPPING RESTRAINT

YOUNG CHILDREN MAY BE INJURED BY TIPPING FURNITURE AND YOU MUST USE THIS TIPPING RESTRAINT TO ATTACH THIS UNIT TO THE WALL, TO PREVENT ACCIDENTS AND/OR INJURIES.

THIS HARDWARE, MUST BE PROPERLY INSTALLED (FOLLOW ALL DIRECTIONS IN ORDER ON THIS INSTRUCTIONS), TO PROVIDE PROTECTION AGAINST THE UNEXPECTED TIPPING OF FURNITURE DUE TO IMPROPER USE.

THIS PRODUCT IS ONLY A DETERRENT. IT IS NOT A SUBSTITUTE FOR PROPER ADULT SUPERVISION. USE OF TIP-OVER RESTRAINTS MAY ONLY REDUCE, BUT NOT ELIMINATE, THE RISK OF TIP-OVER.

WARNING

- Unit must be placed on a level surface or leveled with included hardware (when applicable).
- Do not sit or stand on or allow children to climb, sit or stand on the assembled product.
- For safety reasons, it is imperative that this unit be mounted to the wall.
- Do not use without installing the tip restraint.
- Unit can tip over causing severe injury or death.
- Do not exceed the recommended weight limits.
- Evenly distribute the weight on each level and always keep the heavier loads on the bottom.
- Before cutting, drilling or hammering into any wall or floor surface, verify the location of electrical, plumbing and gas lines. Cutting may cause serious injury.