



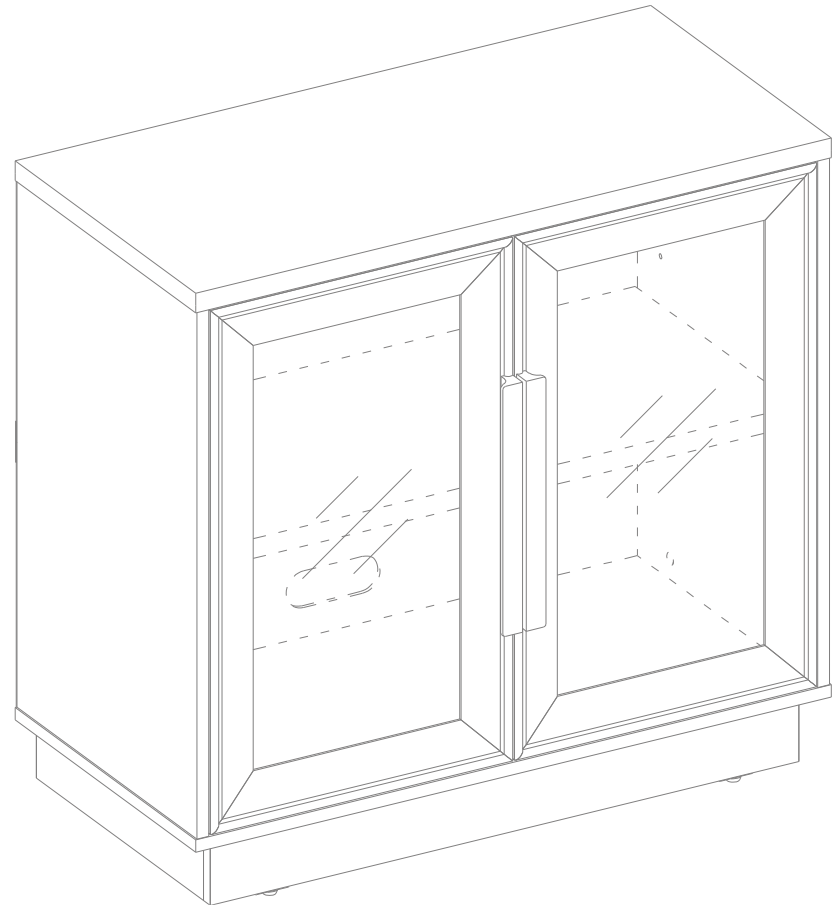
THRESHOLD™

— *designed with* —

STUDIO MCGEE

Kennington 2 Door 32" Cabinet

Style # TGT32CB-3 DPC-item #: 249-17-1551



>> [Assembly instructions](#)



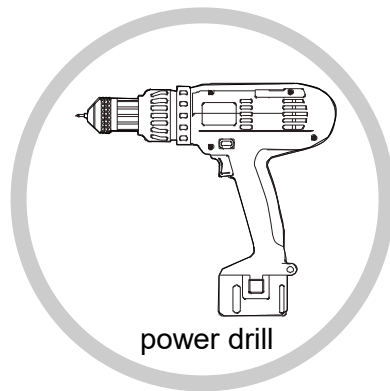
Congratulations on your latest Target purchase.

Now what? Don't start sweating over this box of parts. This will be easy. We did the hard work for you. All you need to do is follow our simple instructions and you'll be on your way to transforming your room in no time. Good luck – though we're confident you won't need it.

before you begin

1. Check for damaged or missing parts. Call 1-855-MYTGTHOME (855-698-4846) to order missing supplies.
2. Use the carton as a work surface to prevent product damage during assembly.
3. Gather all tools prior to assembly.

tools needed (not included)



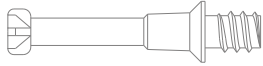
For tipping restraint hardware kit only.

hardware

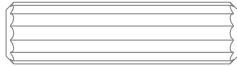
(H1) x 16
cam lock



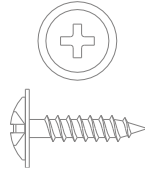
(H2) x 16
cam bolt



(H3) x 12
M8 x 30 mm
wood dowel



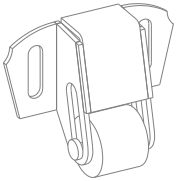
(H4) x 20
M3.5 x 15 mm
washer head screw



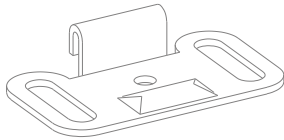
(H5) x 12
M3.5 x 12 mm
pan head screw



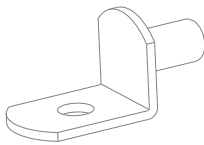
(H6) x 2
roller catch



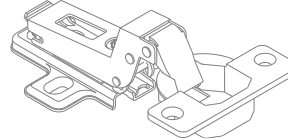
(H7) x 2
roller catch metal plate



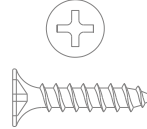
(H8) x 4
shelf support



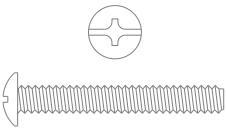
(H9) x 4
door hinge



(H10) x 16
M3.5 x 15 mm zinc screw



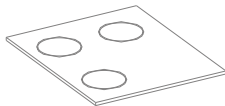
(H11) x 4
3/16" x 35 mm
handle bolt



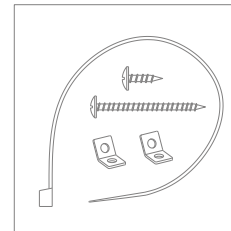
(H12) x 8
cam lock cover



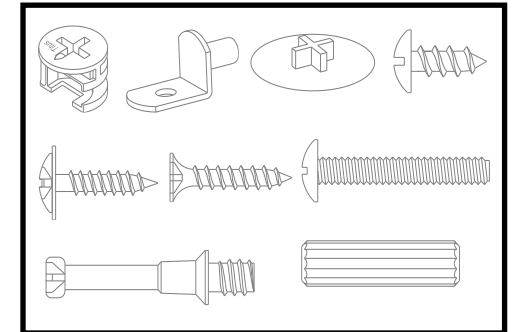
(H13) x 2+1 extra
rubber bumper



(H14) x 1
tipping restraint hardware kit
(inside plastic bag)

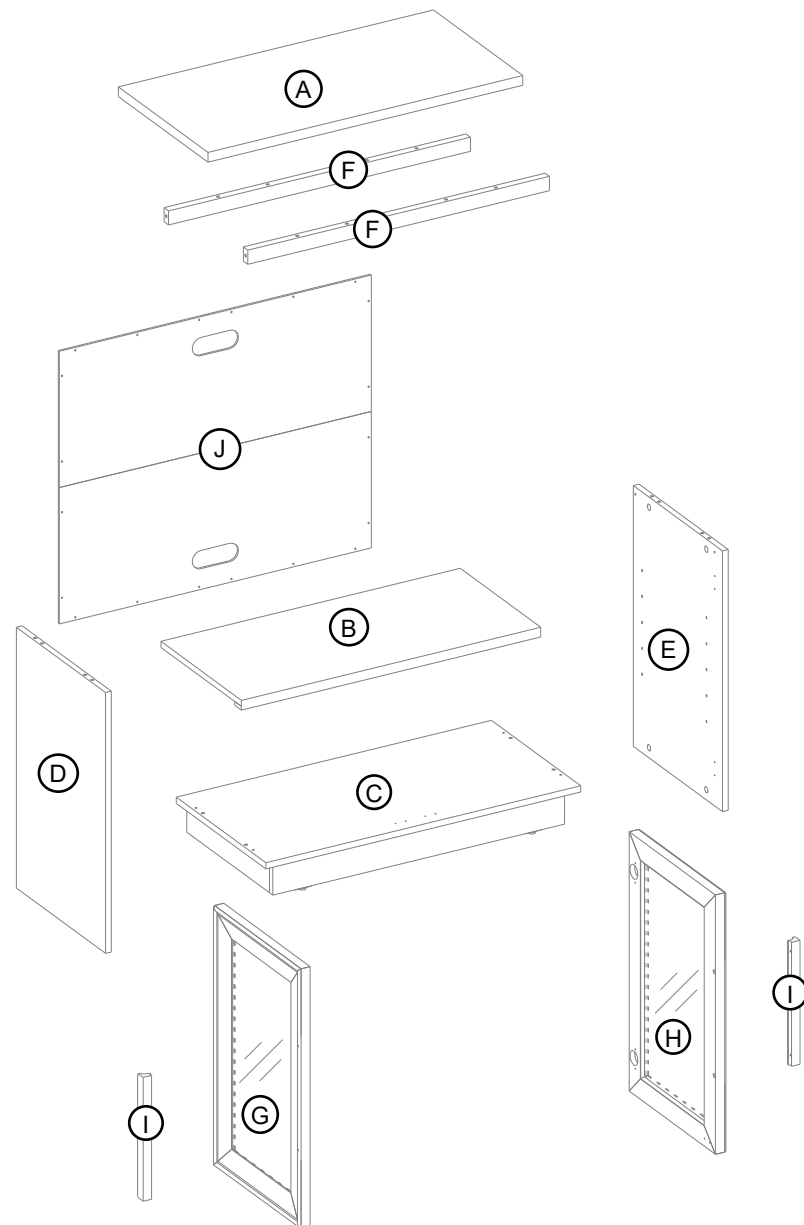


Spare hardware



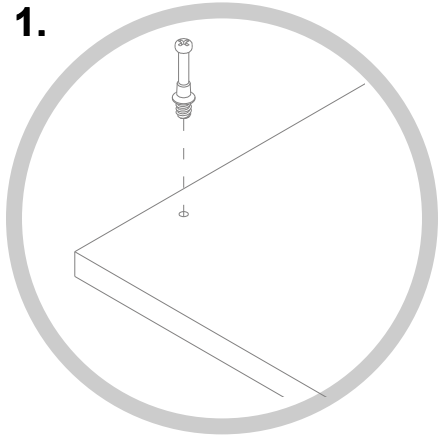
exploded diagram

TEM	DESCRIPTION	QTY
A	Top panel	1
B	Adjustable shelf	1
C	Base	1
D	Left side panel	1
E	Right side panel	1
F	Top stretcher	2
G	Left door	1
H	Right door	1
I	Handle	2
J	Back panel	1



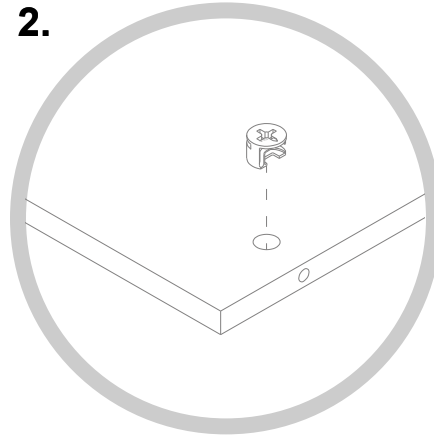
how to use the cam lock system

1.



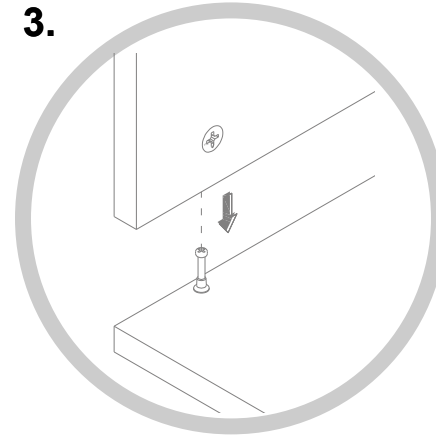
Screw cam bolt into panel

2.



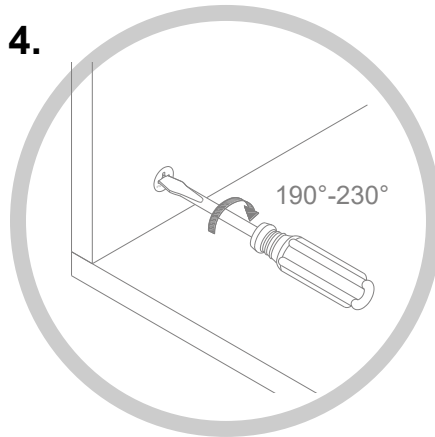
Push cam into panel - arrow feature on cam top points to panel edge

3.



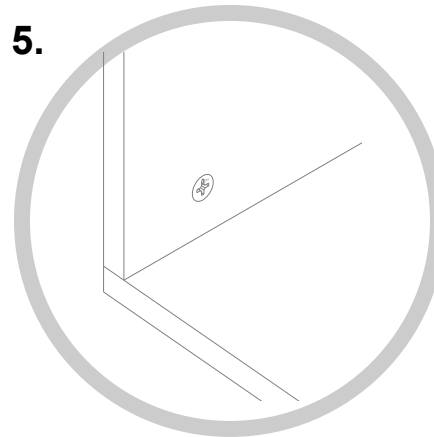
Align cam bolt(s) with cam(s) and insert all the way into cross-bored hole(s)

4.



Rotate cam(s) clockwise 190°-230° to lock panels together

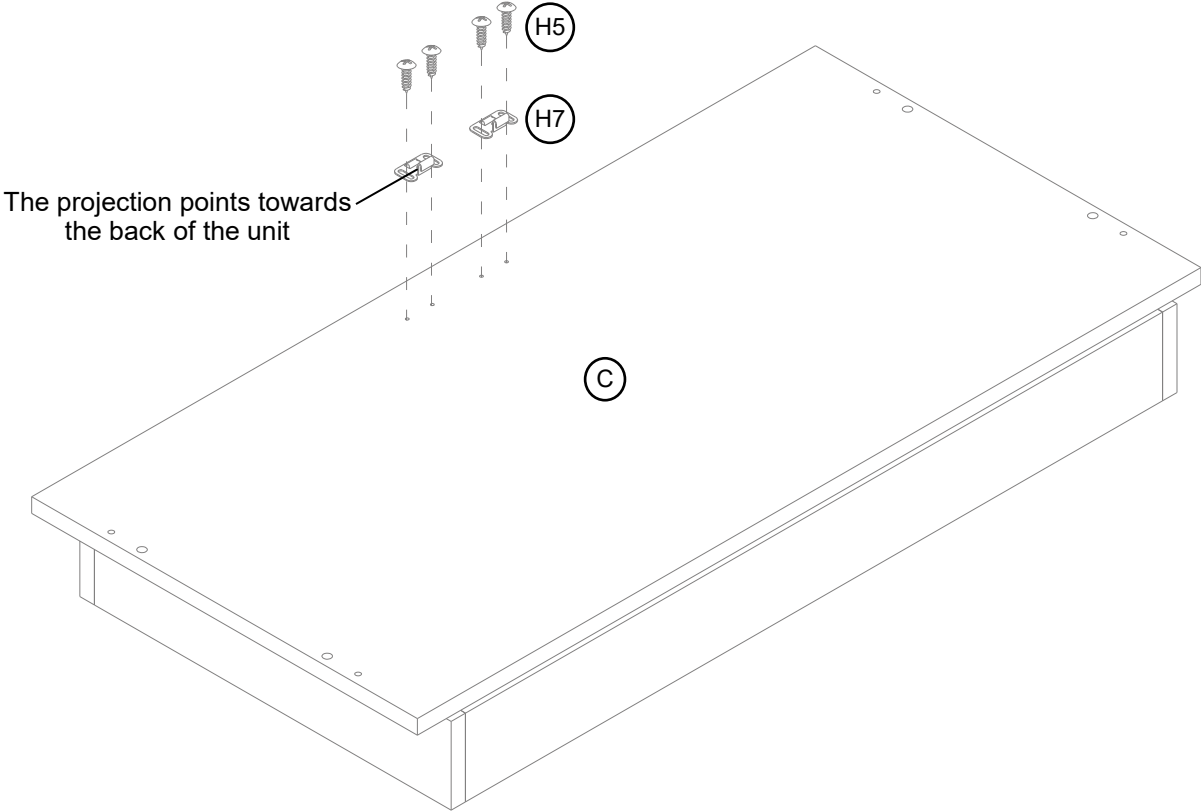
5.



Panels should be tight against each other and connection should be rigid

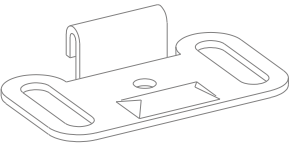
step 1: install the roller catch plates

NOTE: DO NOT use power tools.



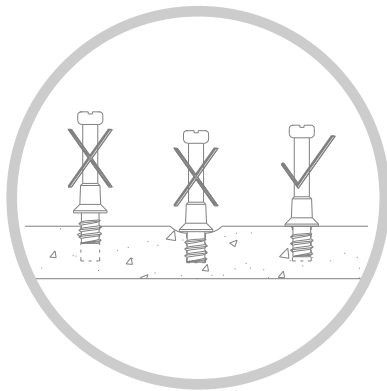
(H7) x 2
roller catch metal plate

(H5) x 4
M3.5 x 12 mm
pan head screw

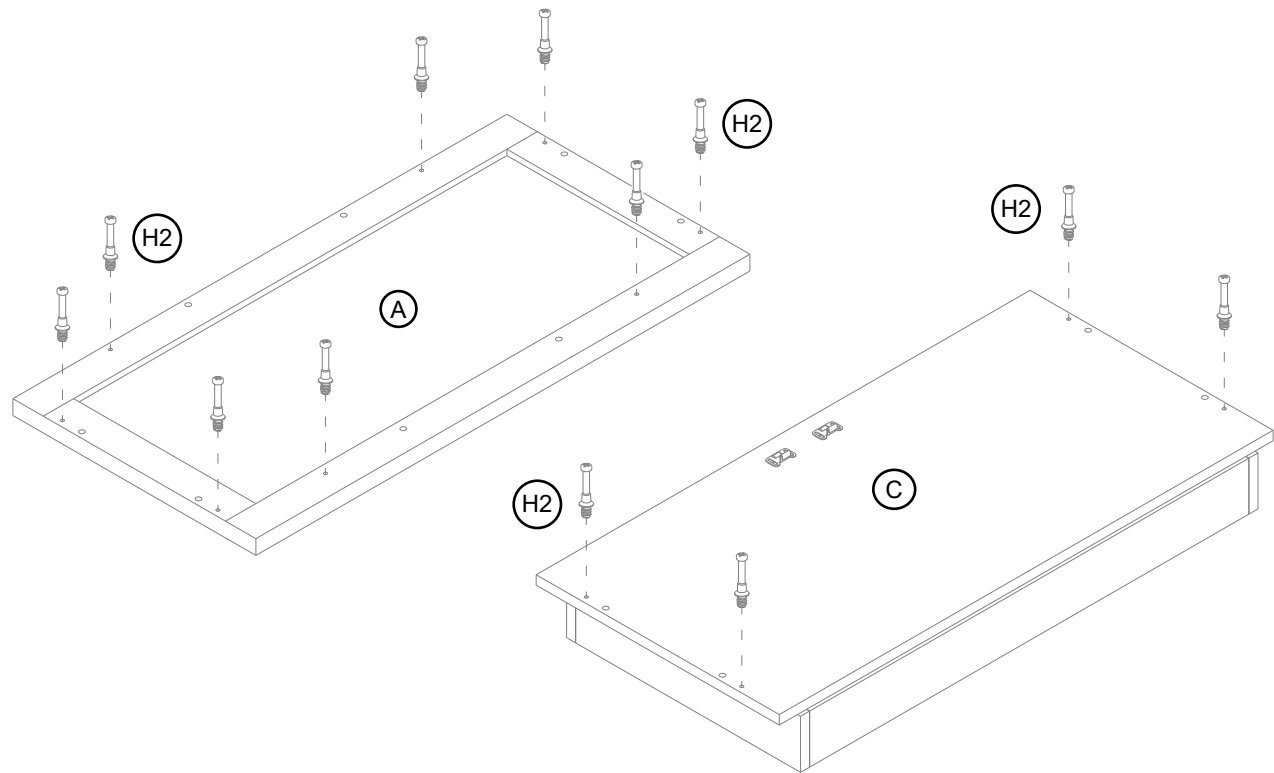
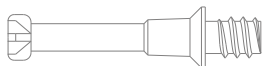


1.1. Using the pilot holes as a guide, orient and attach the roller catch metal plates (H7) to the bottom base (C) with four 12 mm pan head screws (H5).

step 2: prepare the top panel and base assembly

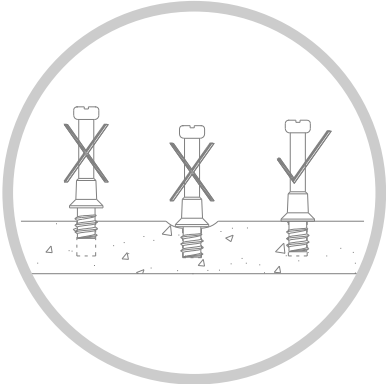


(H2) x 12
cam bolt

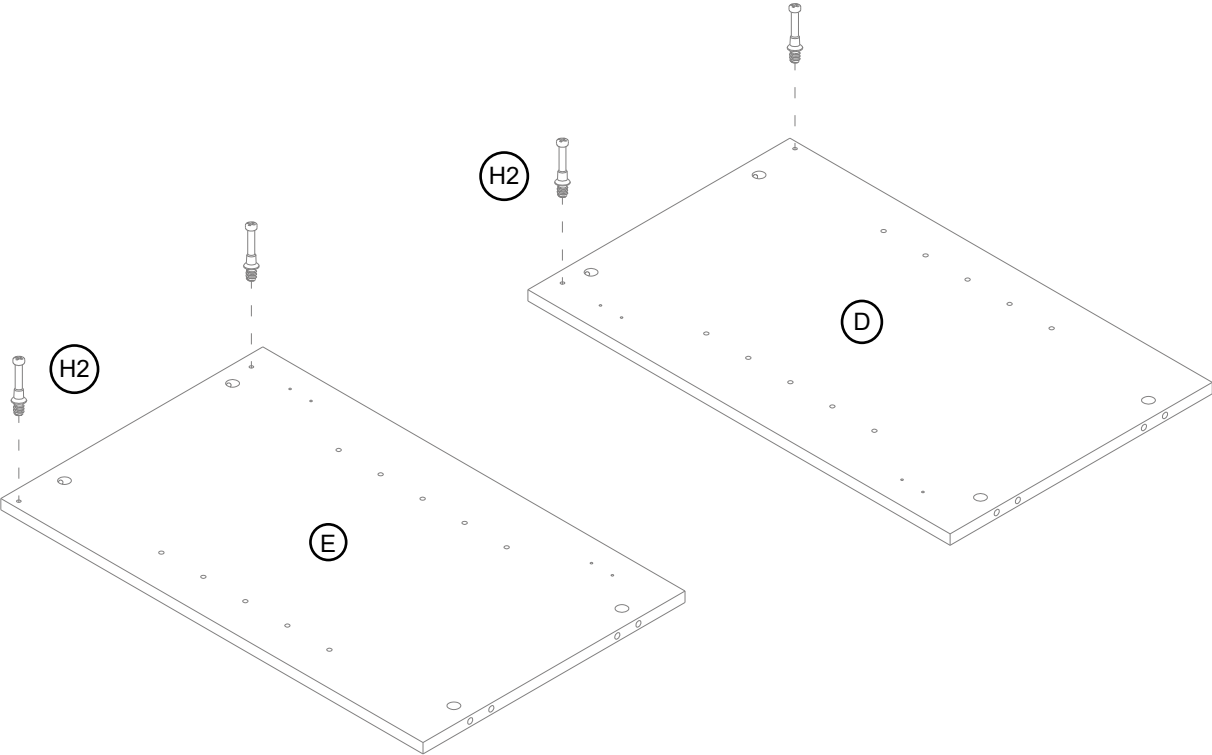
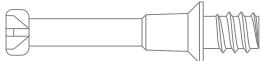


2.1. Securely screw the cam bolts (H2) into the designated small holes on the top panel (A) and the base (C).

step 3: prepare the side panels assembly

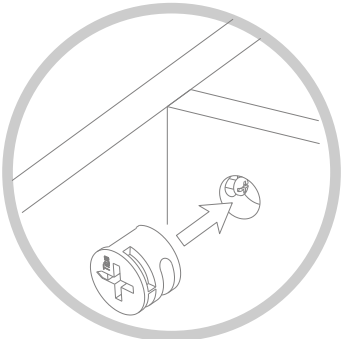


(H2) x 4
cam bolt

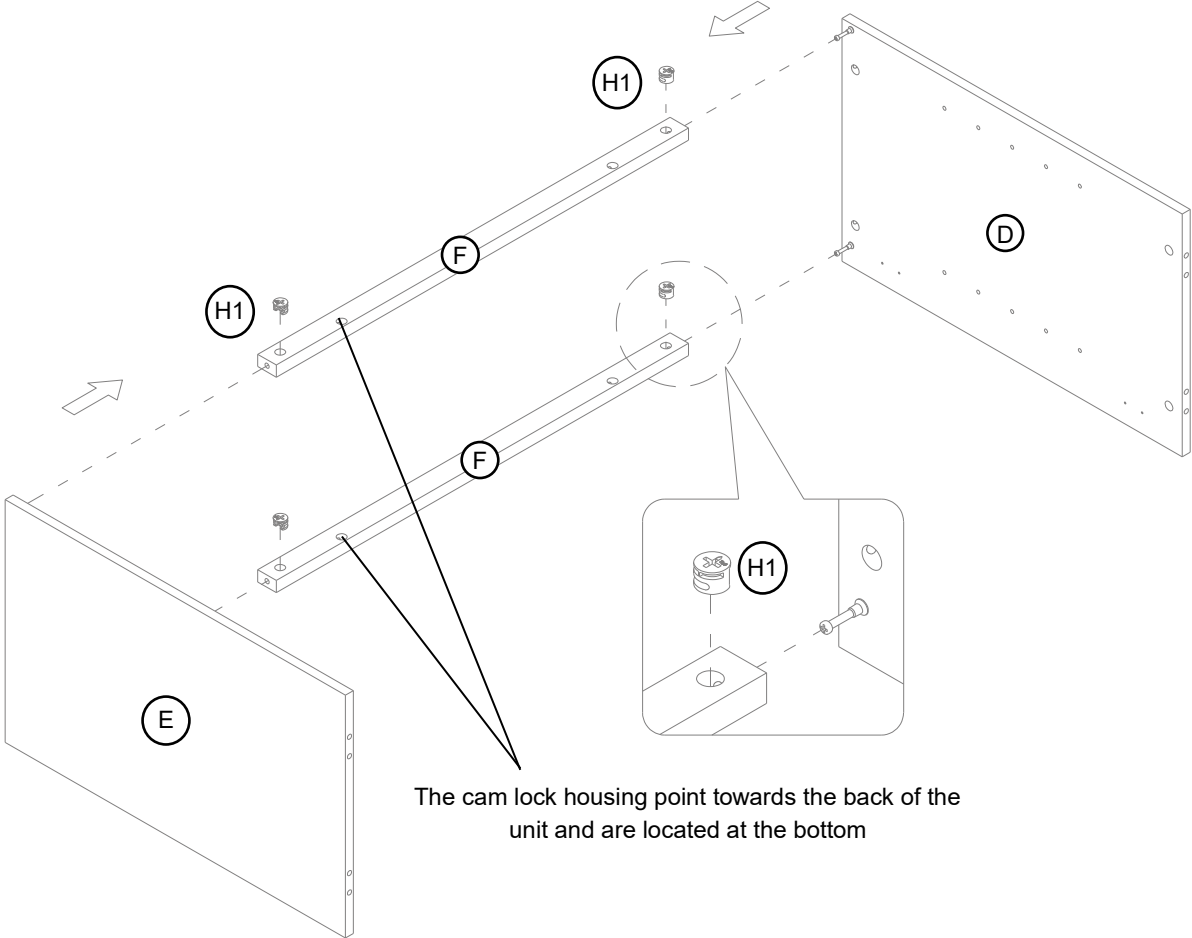


3.1. Securely screw the cam bolts (H2) into the designated small holes on the side panels (D and E).

step 4: attach the top stretchers between the side panels

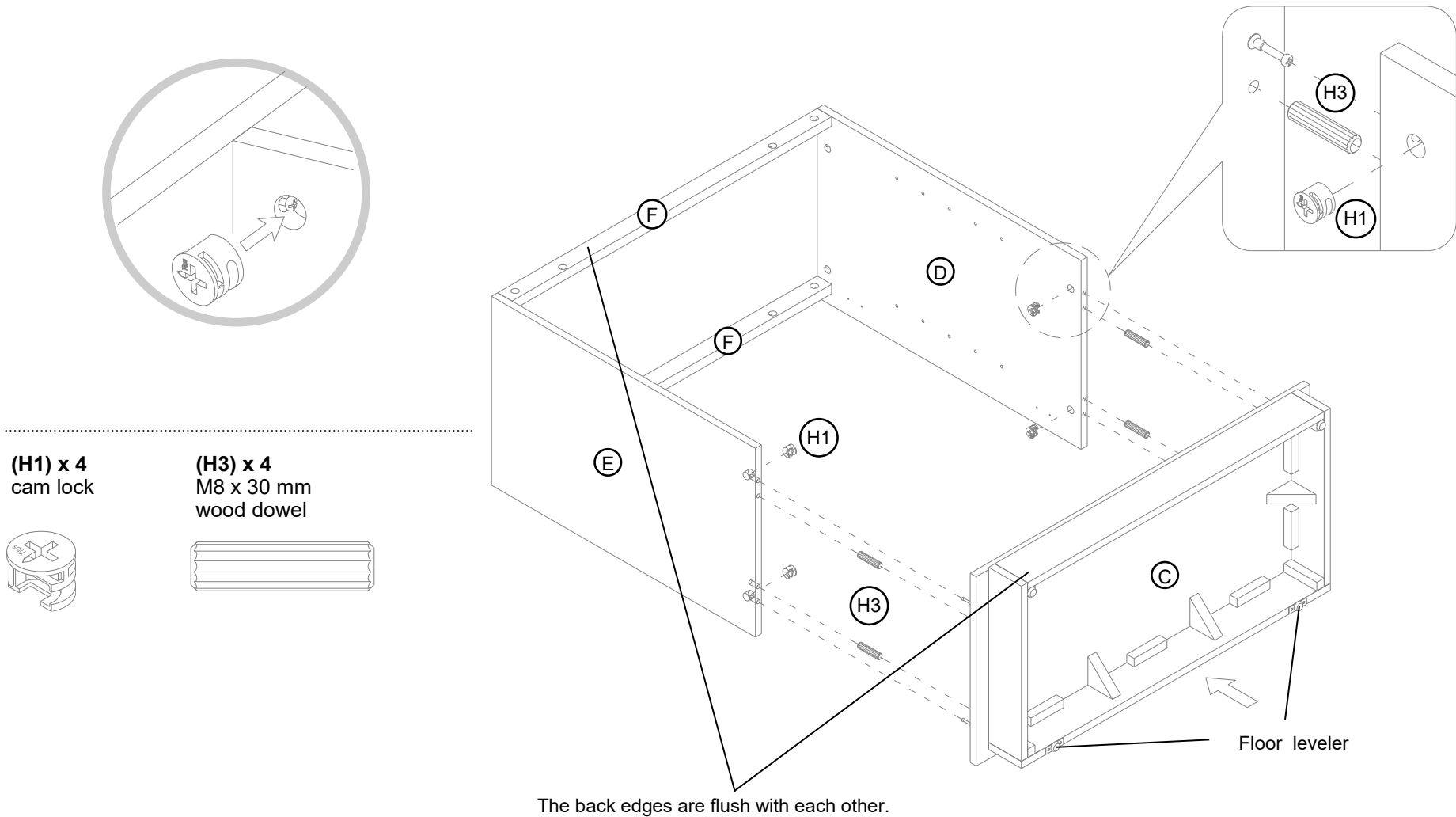


(H1) x 4
cam lock



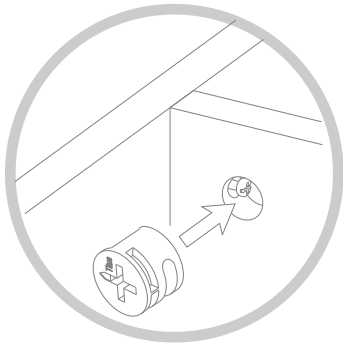
4.1. Orient and attach the top stretchers (F) between the side panels (D and E) using four cam locks (H1).

step 5: attach both side panels to the base

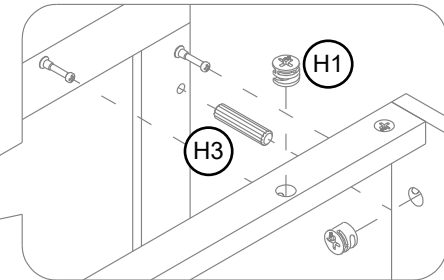


- 5.1. Insert four 30 mm wood dowels (H3) into the bottom inner holes of the side panels (D and E).
- 5.2. Orient and attach the side panels (D and E) to the base (C) with four cam locks (H1).

step 6: attach the top panel to the previous assembly



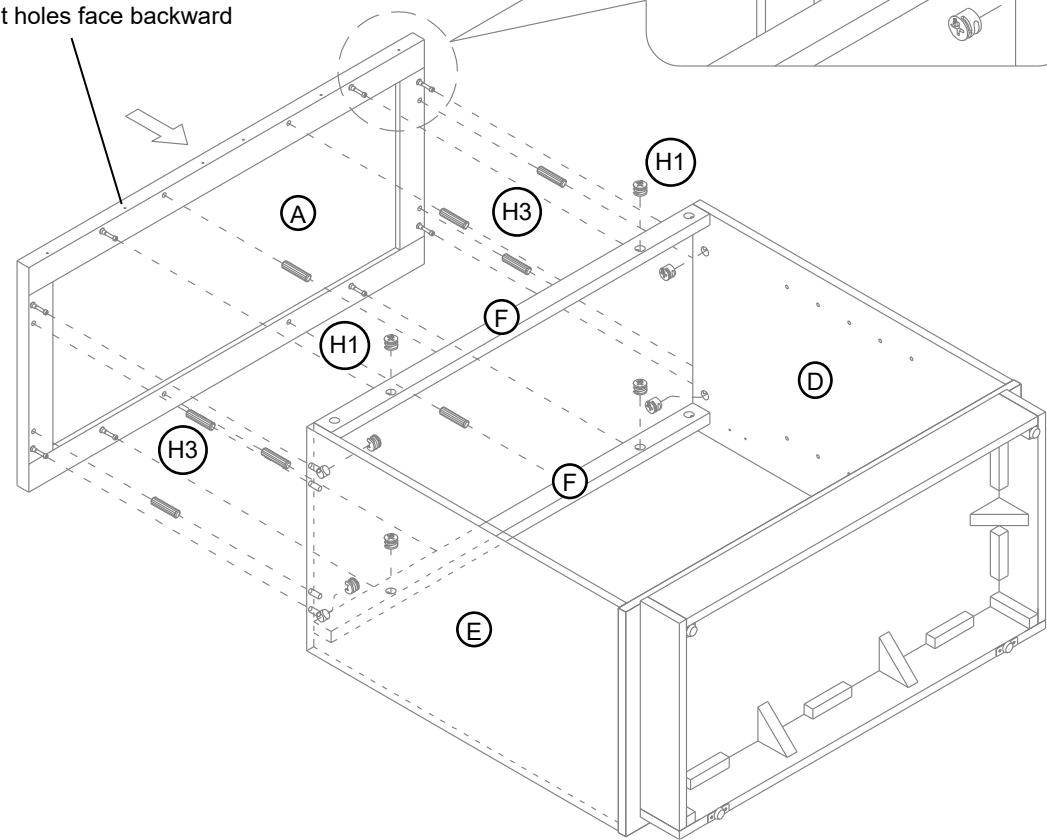
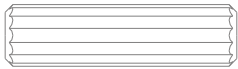
The pilot holes face backward



(H1) x 8
cam lock



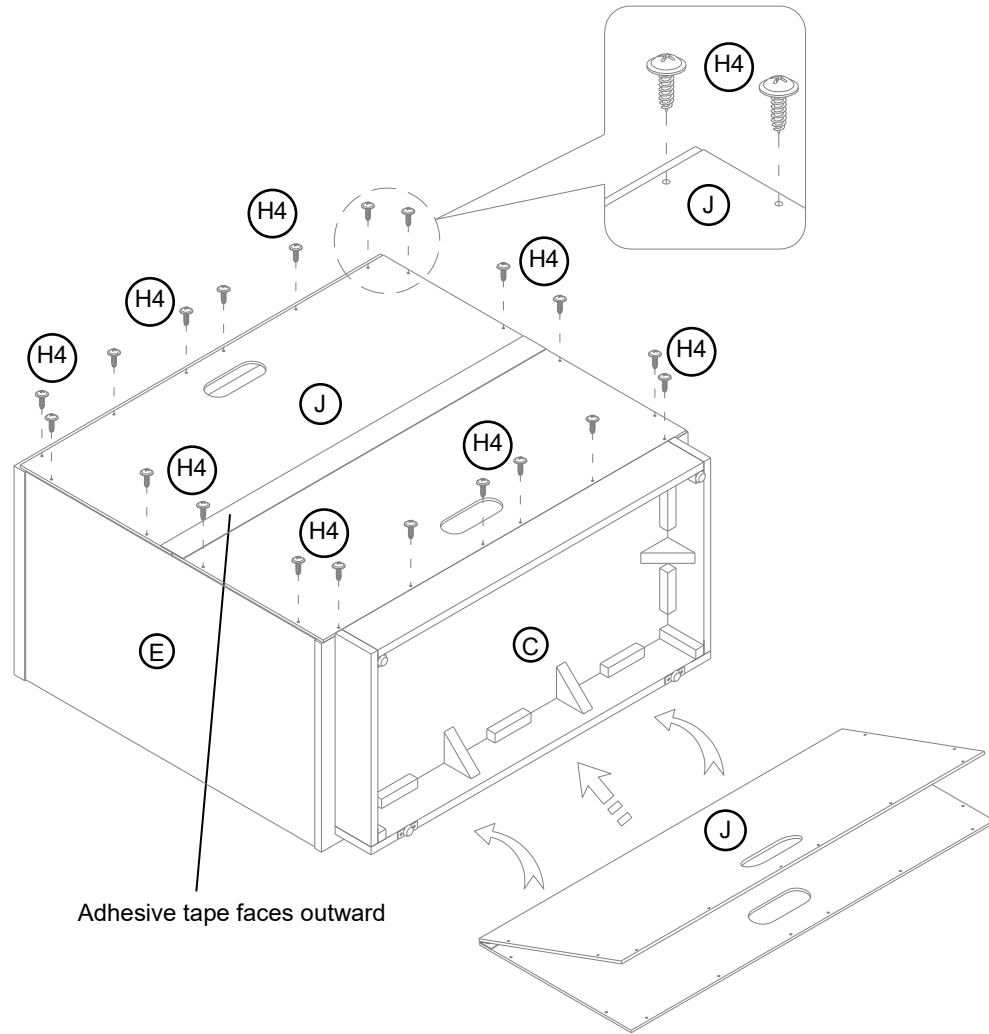
(H3) x 8
M8 x 30 mm
wood dowel



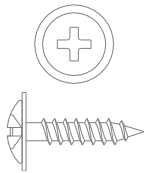
- 6.1. Insert eight 30 mm wood dowels (H3) into the top inner holes of both top stretchers (F) and side panels (D and E).
- 6.2. Align the large holes on the top panel (A) with the installed wood dowels and press them together.
- 6.3. Attached the top panel (A) into place by engaging eight cam locks (H1).

step 7: attach the back panel to the cabinet frame

NOTE: DO NOT use power tools.



(H4) x 20
M3.5 x 15 mm
washer head screw



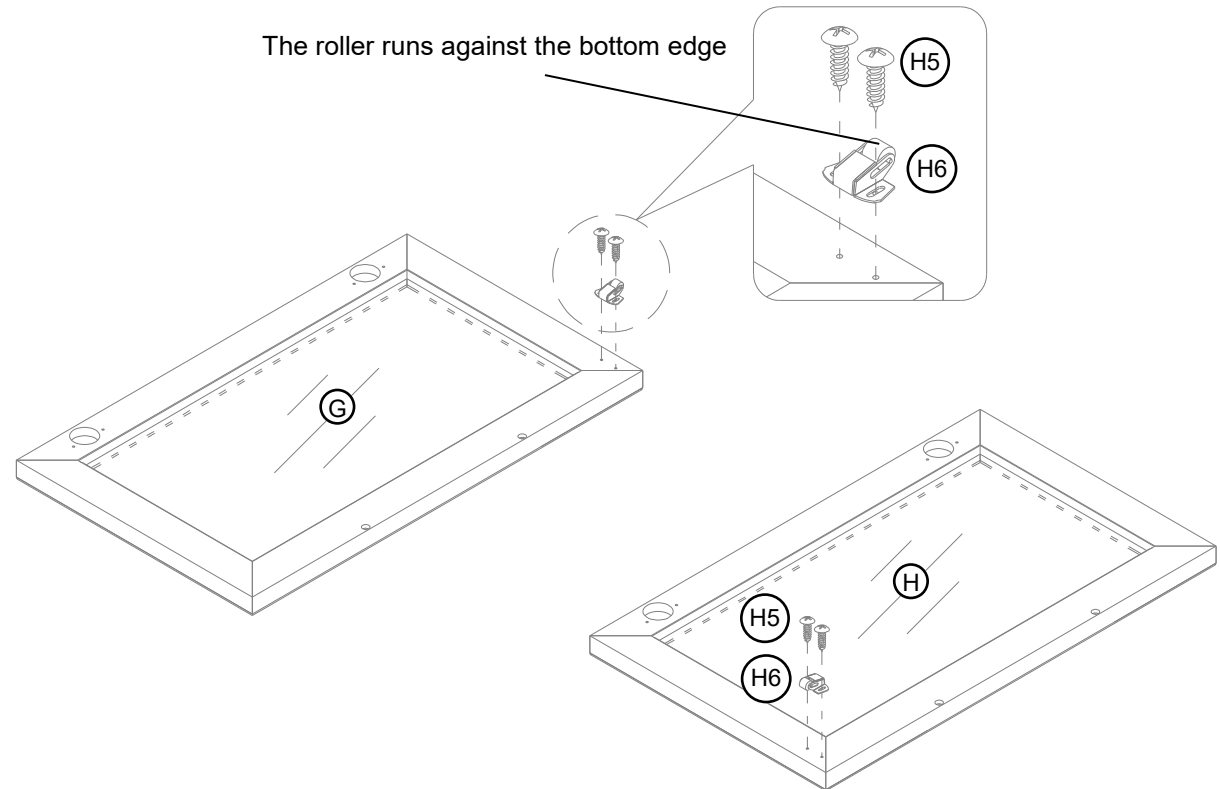
7.1. Now, go back and tighten all cam locks and screws. Make sure that all the parts are tight and there are no gaps between the parts. This will help keep the unit square.

7.2. Unfold the back panel (J) and align the predrilled holes with the pilot holes on the back of the top panel (A). Attached the back panel (J) into place with the washer head screws (H4) provided.

NOTE: We recommend attaching back panel with the screws at the corners first.

step 8: install the roller catches

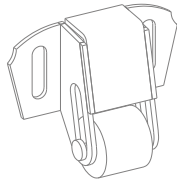
NOTE: DO NOT use power tools.



(H5) x 4
M3.5 x 12 mm
pan head screw



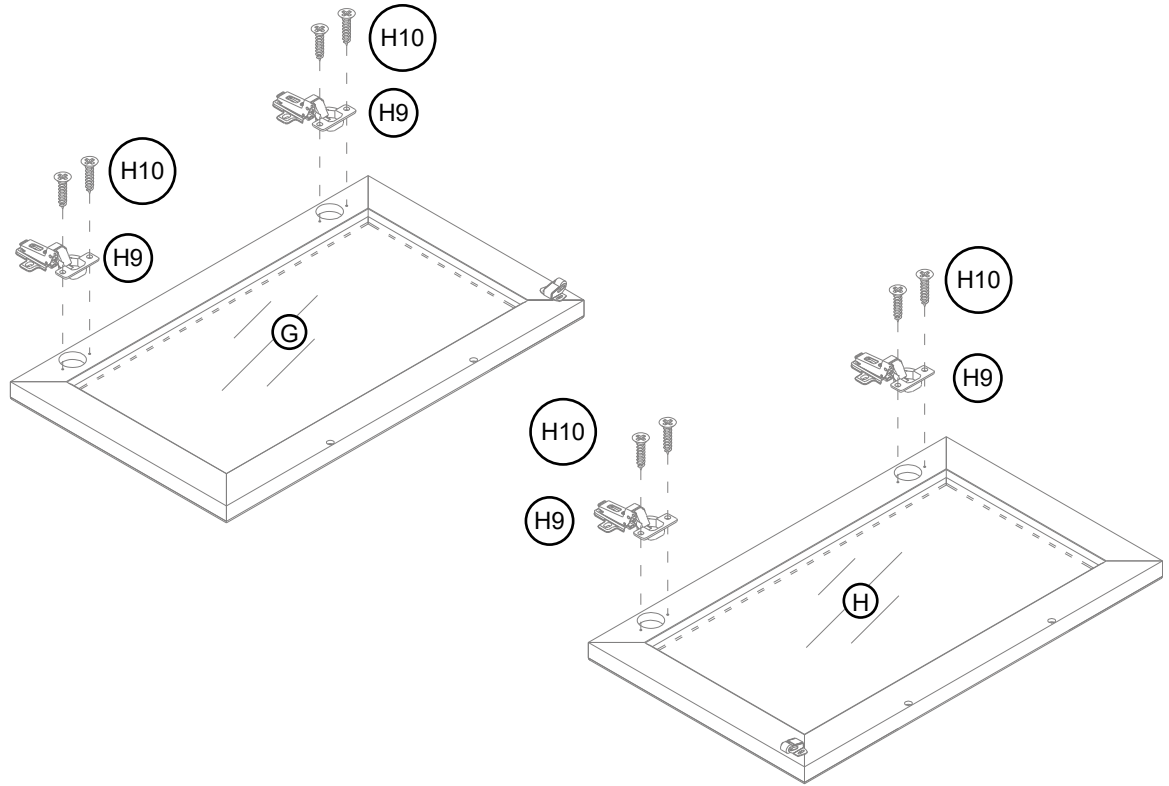
(H6) x 2
roller catch



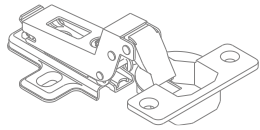
8.1. Using the pilot holes as a guide, orient and attach one roller catch (H6) to each door frame (G and H) with two 12 mm pan head screws (H5).

step 9: attach the door hinges

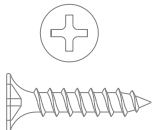
NOTE: DO NOT use power tools.



(H9) x 4
door hinge



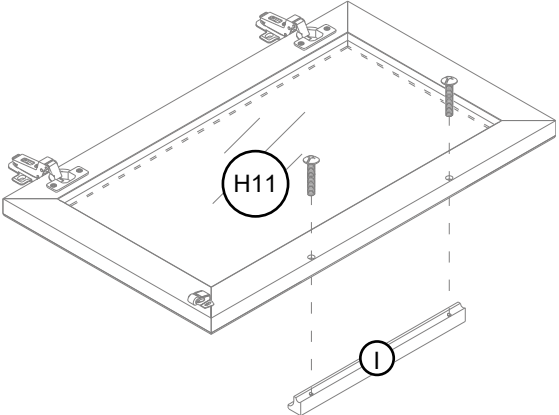
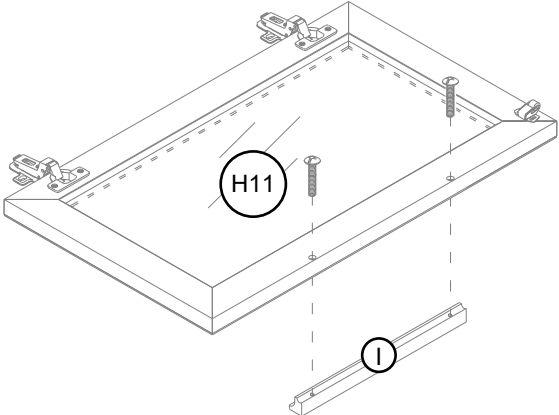
(H10) x 8
M3.5 x 15 mm zinc screw



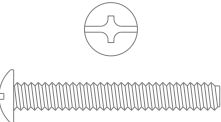
- 9.1. Extend two hinges (H9) and rest the hinge cups onto the cutouts of each door (G and H).
- 9.2. Fasten the hinges into place by using two 15 mm zinc screws (H10) in each. Tighten the screws with a Phillips screwdriver (not provided).

step 10: install the handles

NOTE: DO NOT use power tools.



(H11) x 4
3/16" x 35 mm handle bolt

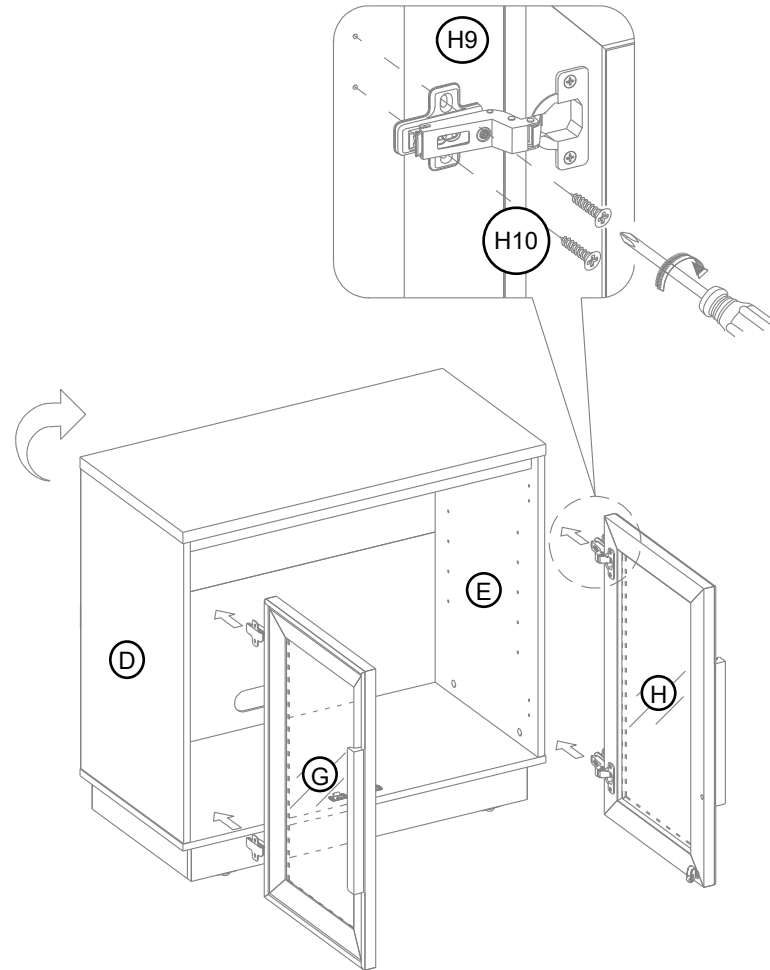


10.1. Attach one handle (I) to the front of each door (G and H) with two 35 mm handle bolts (H11).

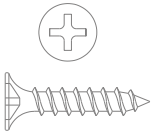
step 11: install the doors



CAUTION: Heavy! You may need assistance with this step.

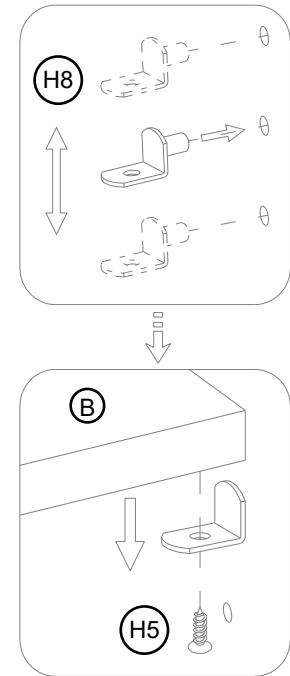
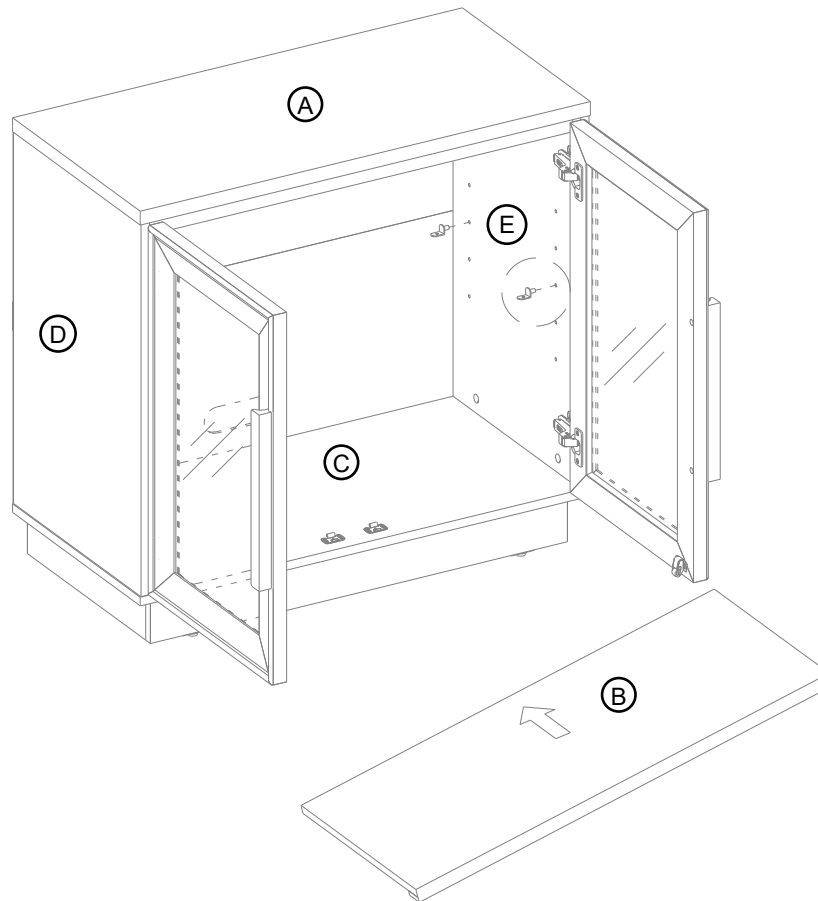


(H10) x 8
M3.5 x 15 mm zinc screw



- 11.1. Ask for assistance to lift the assembled unit upright and position it near the desired location.
- 11.2. Pick up the left door (G) and attach the extended hinge bases onto the left side panel (D) with four 15 mm zinc screws (10), using the pilot holes as a guide.
- 11.3. Repeat the same process to attach the right door (H).
- 11.4. Open and close the doors to make sure they are aligned and shut correctly. If necessary, adjust the screws on the hinge arms for better fit. Refer to the hinge sticker on door for adjustment.

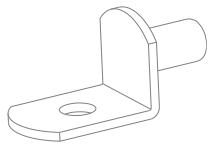
step 12: install the adjustable shelf



(H5) x 4
M3.5 x 12 mm
pan head screw



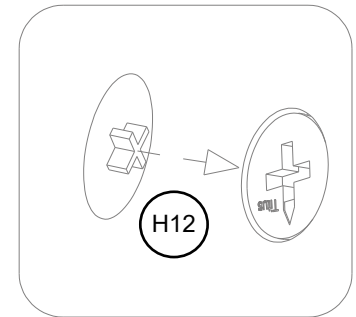
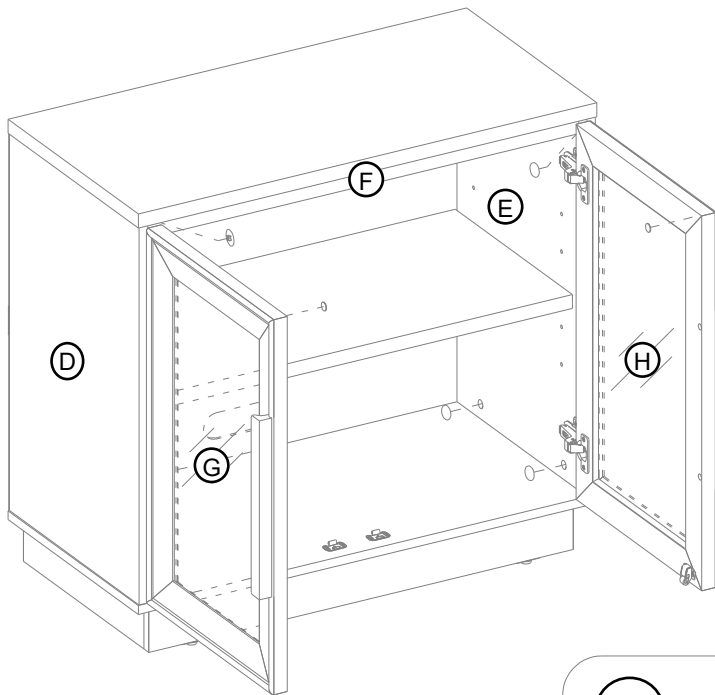
(H8) x 4
shelf support



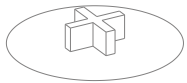
12.1. Open the doors and insert four shelf supports (H8) into the desired holes in the side panels (D and E). Be sure to place the four shelf supports at the same level to level the shelf.

12.2. Secure the adjustable shelf (B) into place with 12 mm pan head screws (H5) for extra support.

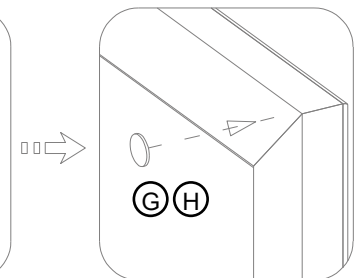
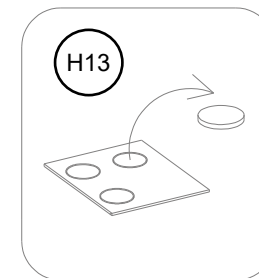
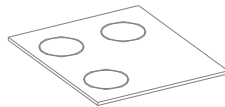
step 13: affix the cam lock covers and rubber bumpers



(H12) x 8
cam lock cover



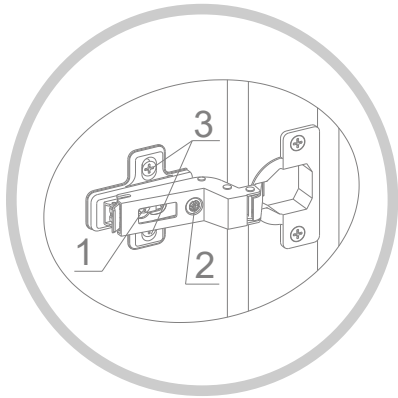
(H13) x 2+1 extra
rubber bumper



13.1. Plug the cam lock covers (H12) onto the visible cam locks to conceal the cams.

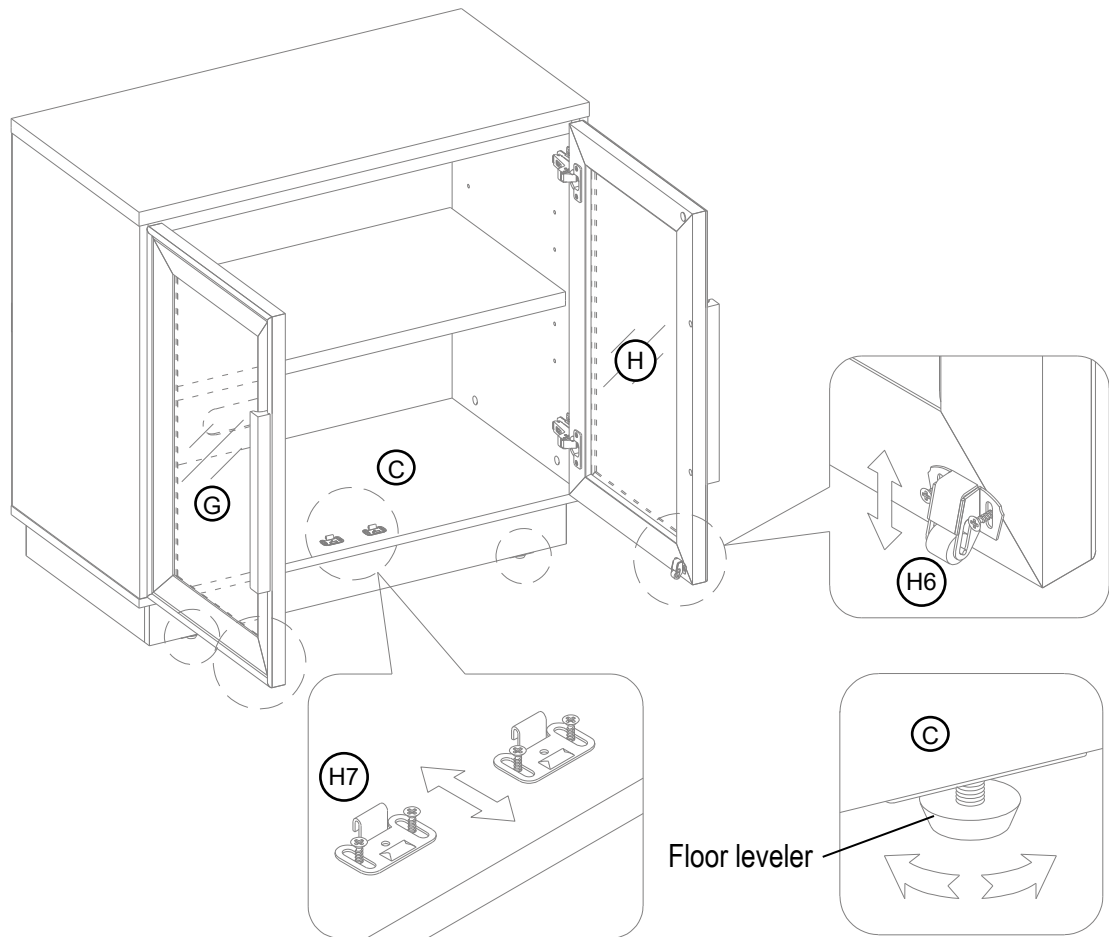
13.2. Affix one rubber bumper (H13) onto the front upper corner of each door (G and H) where the front top stretcher (F) is in contact with.

step 14: correct the doors alignment



If you find that the doors need to be adjusted slightly, turn the appropriate screw, as illustrated upper.

1. TO ADJUST THE DOOR FORWARD OR BACKWARD.
 2. TO ADJUST THE DOOR TO RIGHT OR TO LEFT.
 3. TO ADJUST THE DOOR UP OR DOWN.
-



NOTE: The roller catch (H6) and roller catch metal plate (H7) have elongated mounting holes that allow for adjustment. Open and close the doors and adjust the gaps to make sure they are aligned correctly and the roller snaps onto the front projection of the metal plate (H7) properly.

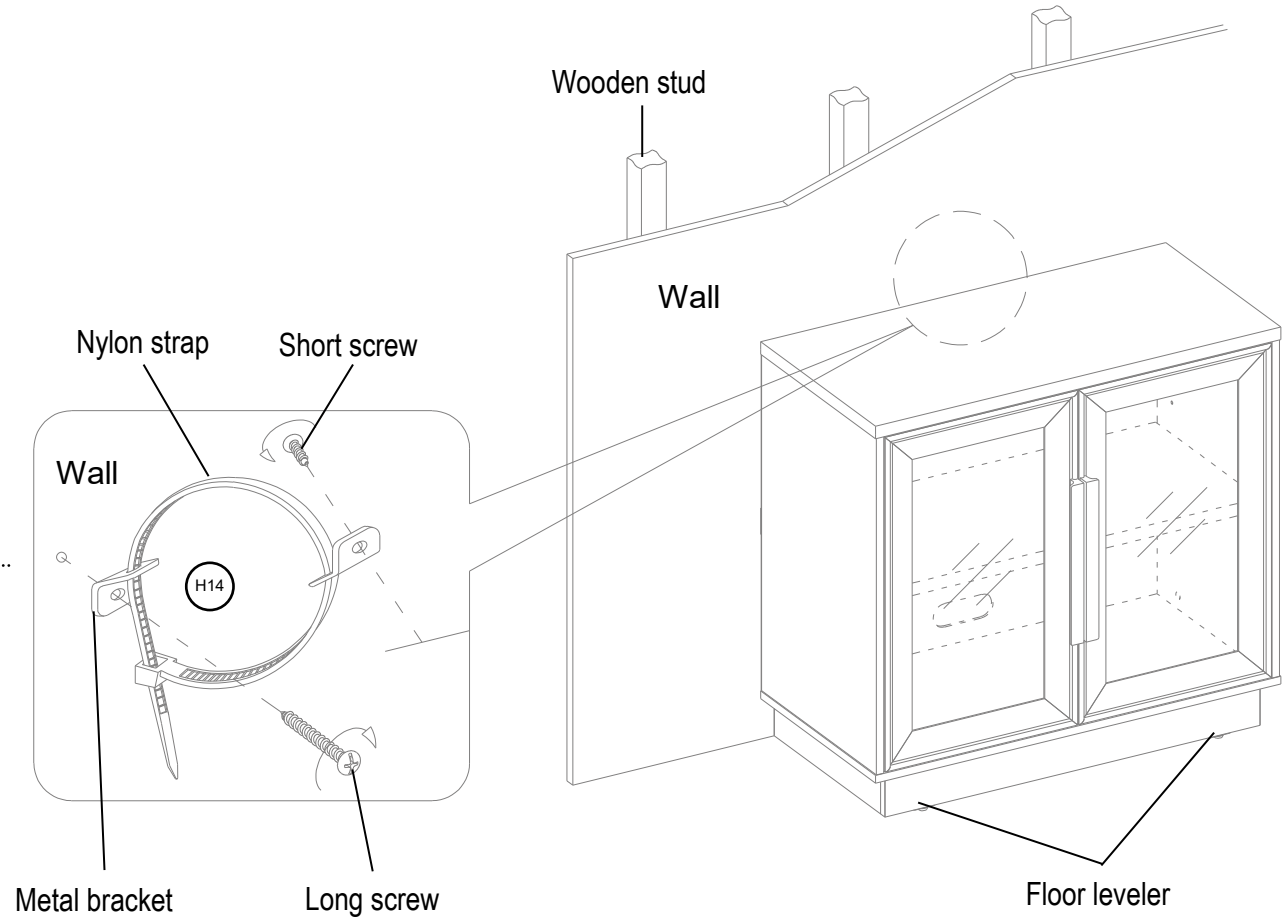
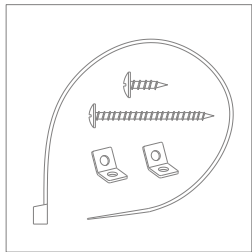
If you find that the doors do not close properly or do not align correctly, please follow these steps:

- 14.1. Adjust the European hinges and floor levelers pre-attached underneath the base (C) to correct tilting and level the doors.
- 14.2. The roller catch metal plates (H7) can be adjusted to ensure that the doors function properly. This can be done by moving the metal plates forward and back.
- 14.3. Open the doors and loosen the installed screws on the roller catches (H6) and adjust properly for a good fit.
- 14.4. Once the doors function properly, go back and tighten all the screws.

step 15: install the tipping restraint hardware kit



(H14) x 1
tipping restraint hardware kit



Tools required: Phillips screwdriver, stud finder, tape measure, pencil, power drill and 1/8" drill bit (not provided).

15.1. Adjust the pre-attached floor levelers to level the unit against a wall.

15.2. Follow the instructions printed on plastic bag containing tipping restraint hardware to attach tip-over restraint between the unit and wall.

NOTE: You can share the back panel screw hole for the anti-tipping hardware. You must use this tipping restraint to attach this unit to the wall, to prevent accidents and/or injuries.

FURNITURE TIPPING RESTRAINT

YOUNG CHILDREN MAY BE INJURED BY TIPPING FURNITURE AND YOU MUST USE THIS TIPPING RESTRAINT TO ATTACH THIS UNIT TO THE WALL, TO PREVENT ACCIDENTS AND/OR INJURIES.

THIS HARDWARE, MUST BE PROPERLY INSTALLED (FOLLOW ALL DIRECTIONS IN ORDER ON THIS INSTRUCTIONS), TO PROVIDE PROTECTION AGAINST THE UNEXPECTED TIPPING OF FURNITURE DUE TO IMPROPER USE.

THIS PRODUCT IS ONLY A DETERRENT. IT IS NOT A SUBSTITUTE FOR PROPER ADULT SUPERVISION. USE OF TIP-OVER RESTRAINTS MAY ONLY REDUCE, BUT NOT ELIMINATE, THE RISK OF TIP-OVER.

WARNING

- Unit must be placed on a level surface or leveled with included hardware (when applicable).
- Do not sit or stand on or allow children to climb, sit or stand on the assembled product.
- For safety reasons, it is imperative that this unit be mounted to the wall.
- Do not use without installing the tip restraint.
- Unit can tip over causing severe injury or death.
- Do not exceed the recommended weight limits.
- Evenly distribute the weight on each level and always keep the heavier loads on the bottom.
- Before cutting, drilling or hammering into any wall or floor surface, verify the location of electrical, plumbing and gas lines. Cutting may cause serious injury.

Care and Maintenance

- Use a soft, clean cloth that will not scratch the surface when dusting.
- Use of furniture polish is not necessary. Should you choose to use polish, test first in an inconspicuous area.
- Using solvents of any kind on your furniture may damage the finish.
- Never use water to clean your furniture as it may cause damage to the finish.
- Always use coasters under beverage glasses and flowerpots.
- Liquid spills should be removed immediately. Using a soft, clean cloth, blot the spill gently. Avoid rubbing.
- Always use protective pads under hot dishes and plates. Heat can cause chemical changes that may create spotting within the furniture finish.
- Stains or marks from crayons or ink markers will be difficult to remove.
- In the event that your furniture is stained or otherwise damaged during use, we recommend that you call a professional to repair your furniture.
- Check bolts/screws and nuts periodically and tighten them if necessary.

Further Advice about Wood Furniture Care

It is best to keep your furniture in a climate-controlled environment. Extreme temperature and humidity changes can cause fading, warping, shrinking and splitting of wood. It is advised to keep furniture away from direct sunlight as sun may damage the finish.

Proper care and cleaning at home will extend the life of your purchase. Following these important and helpful tips will enhance your furniture as it ages.

We hope you enjoy your purchase for many years.
Thank you for your purchase!

QUALITY GUARANTEE

We are confident that you will be delighted with your Whalen Furniture purchase.

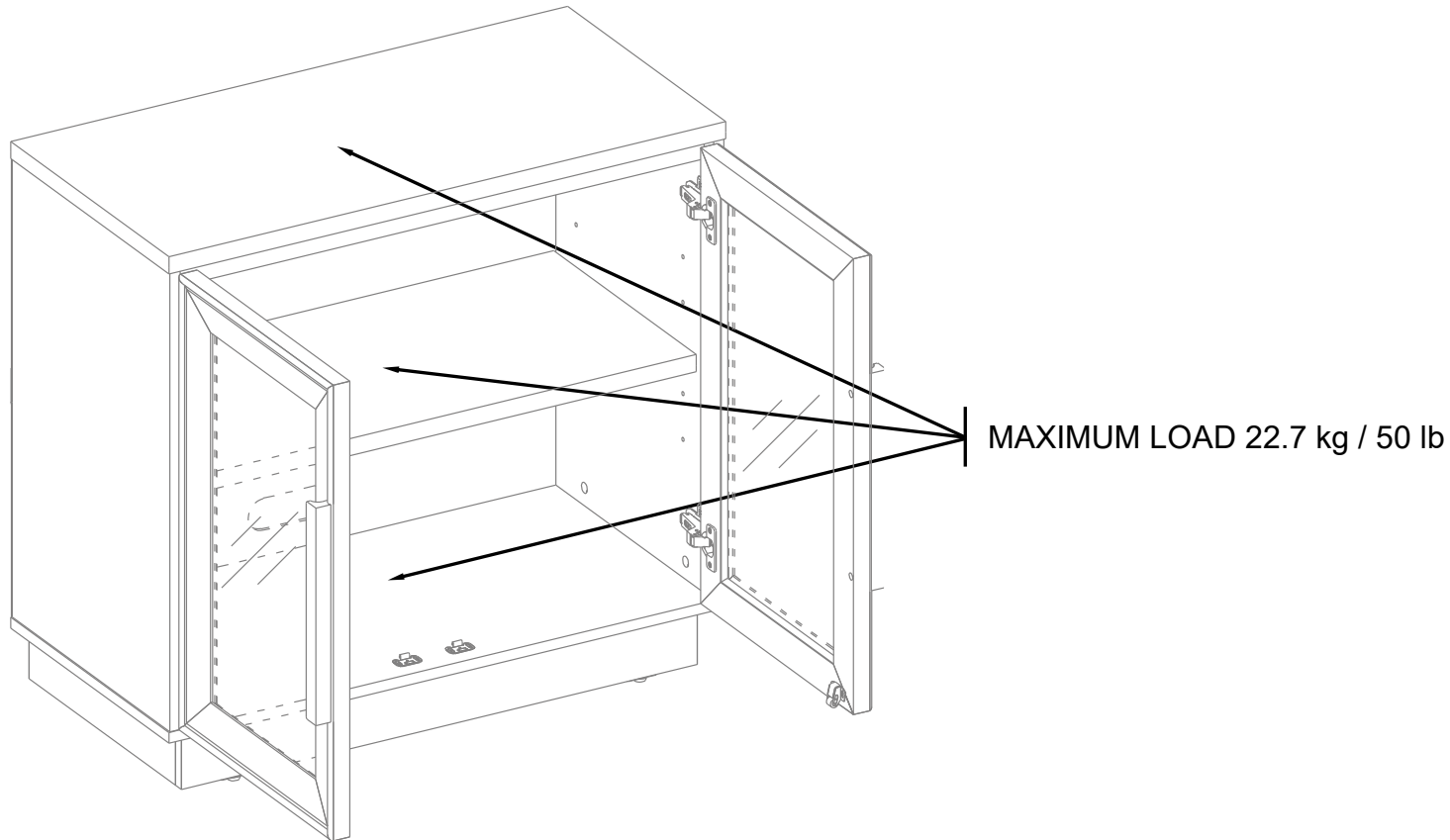
Should this product be defective in workmanship or materials or fail under normal use, we will repair or replace it for up to one (1) year from date of purchase. Every Whalen Furniture product is designed to meet your highest expectations. We guarantee that you will immediately see the value of our fine furniture.

This warranty gives you specific legal rights and you may also have other rights which vary from state to state or province to province.

Customer Service: 1-855-MYTGTHOME (855-698-4846)
8:30 a.m. - 4:30 p.m., PST, Monday to Friday
www.whalenfurniture.com

MAXIMUM RECOMMENDED WEIGHT LOADS

MANUFACTURER: Whalen Furniture Manufacturing
CATALOG: Kennington 2 Door 32" Cabinet
MODEL # TGT32CB-3



WARNING

THIS UNIT IS INTENDED ONLY FOR USE WITHIN THE MAXIMUM WEIGHTS INDICATED. CENTER THE HEAVIER ITEM ON THE SUPPORTING SURFACE AS FAR BACK FROM THE FRONT AS POSSIBLE. USE WITH LOADS HEAVIER THAN THE MAXIMUM WEIGHTS INDICATED MAY RESULT IN INSTABILITY, CAUSING POSSIBLE INJURY.

The maximum recommended weight allowance is 22.7 kg / 50 lb for the top and the shelf.

 **WARNING**

Please use your furniture correctly and safely. Improper use can cause safety hazards, or damage to your furniture or household items. Carefully read the following safety information.

Death or serious injury may occur when children climb on audio and/or video equipment furniture. A remote control or toys placed on the furnishing may encourage a child to climb on the furnishing and as a result may tip over onto the child.

NEVER allow children to climb or play with the TV or furnishing supporting the TV.

NEVER place toys, food, remote, etc. on top of the TV or TV furnishing.

ALWAYS use either the safety hardware as instructed or other wall anchoring device.

Relocating audio and/or video equipment to furniture not specifically designed to support audio and/or video equipment may result in death or serious injury due to furniture collapse or over turning onto a child.

NEVER place a TV on furniture that is not intended to support a TV.

NEVER exceed the maximum size and weight of the TV shown in the instructions.

Be sure to refer to the TV warning label as shown in the instructions.

Overloading drawers and shelves may result in furniture that can break or sag, or tip-over which may result in injury.

NEVER exceed the weight limits shown in the instructions.

Place the heavier items on lower shelves as far back from the front as possible.

Load the bottom surfaces first to avoid top-heavy furniture.

Moving furniture that is not designed to be moved or equipped with casters may result in injury or damage to furnishings or personal property.

ALWAYS unload shelves and drawers, starting with the top surfaces, before moving.

NEVER push or pull furniture on carpet. Have a friend help lift properly to move and/or reposition it.

DO NOT use the unit as a seating surface.