



THRESHOLD™
— *designed with* —
STUDIO MCGEE

Crystal Cove 60" Glass Cabinet - Black

Style # TGT60BK

DPC-item # 249-17-0519



>> [Assembly instructions](#)



Congratulations on your latest Target purchase.

Now what? Don't start sweating over this box of parts. This will be easy. We did the hard work for you. All you need to do is follow our simple instructions and you'll be on your way to transforming your room in no time. Good luck – though we're confident you won't need it.

before you begin

1. Check for damaged or missing parts. Call 1-855-MYTGTHOME (855-698-4846) to order missing supplies.
2. Use the carton as a work surface to prevent product damage during assembly.
3. Gather all tools prior to assembly.

Before you begin >>>

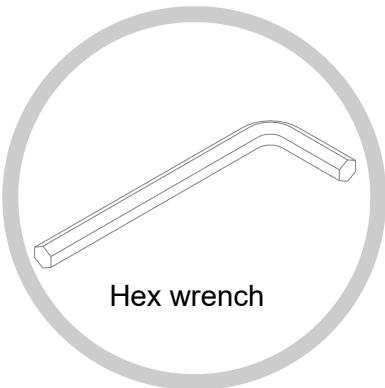


3D-GUIDED INTERACTIVE ASSEMBLY INSTRUCTIONS CAN BE FOUND ON **BILT**®

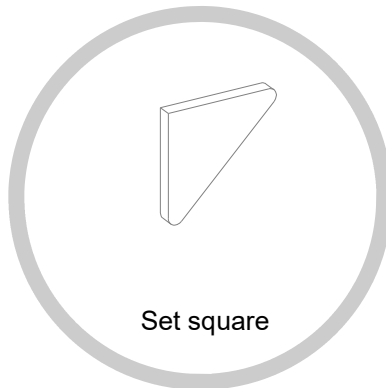
DOWNLOAD THE FREE APP



tool needed (only hex wrench and set square included)



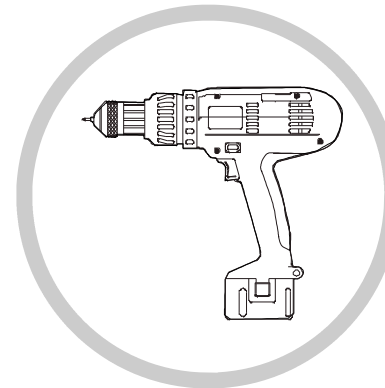
Hex wrench



Set square



Phillips head screwdriver






For tipping restraint hardware kit only.

FURNITURE TIPPING RESTRAINT

YOUNG CHILDREN MAY BE INJURED BY TIPPING FURNITURE AND YOU MUST USE THIS TIPPING RESTRAINT TO ATTACH THIS UNIT TO THE WALL, TO PREVENT ACCIDENTS AND/OR INJURIES.

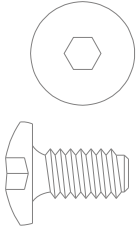
THIS HARDWARE, MUST BE PROPERLY INSTALLED (FOLLOW ALL DIRECTIONS IN ORDER ON THIS INSTRUCTIONS), TO PROVIDE PROTECTION AGAINST THE UNEXPECTED TIPPING OF FURNITURE DUE TO IMPROPER USE.

THIS PRODUCT IS ONLY A DETERRENT. IT IS NOT A SUBSTITUTE FOR PROPER ADULT SUPERVISION. USE OF TIP-OVER RESTRAINTS MAY ONLY REDUCE, BUT NOT ELIMINATE, THE RISK OF TIP-OVER.

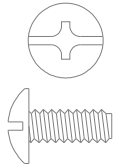
 WARNING	
	<p>Children have died from furniture tipover. To reduce the risk of furniture tipover:</p> <ul style="list-style-type: none">• ALWAYS install tipover restraint provided.• NEVER put a TV on this product.• NEVER allow children to stand, climb or hang on drawers, doors, or shelves.• NEVER open more than one drawer at a time.• Place heaviest items in the lowest drawers.
	<p>Use of tip-over restraints may only reduce, but not eliminate, the risk of tip-over.</p>

hardware

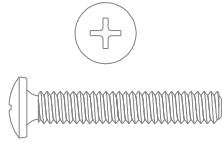
(H1) x 30
1/4" x 12 mm bolt



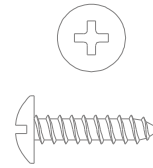
(H2) x 12
M4 x 10 mm bolt



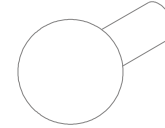
(H3) x 2
knob bolt



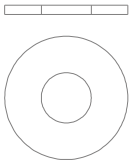
(H4) x 26
M4.5 x 15 mm
pan head screw



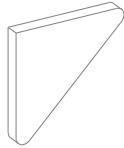
(H5) x 2
knob



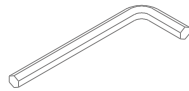
(H6) x 2
flat washer



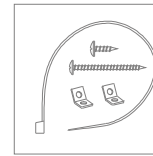
(H7) x 1
set square



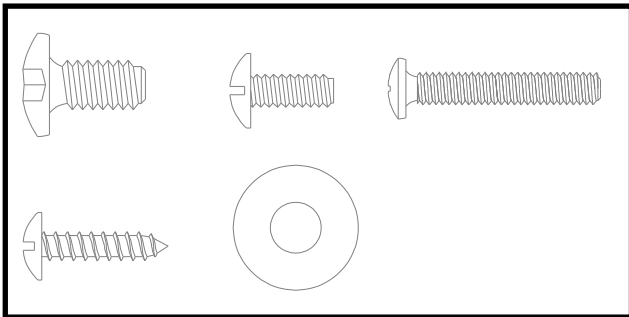
(H8) x 1
hex wrench



(H9) x 2
tipping restraint hardware kit
(inside plastic bag)

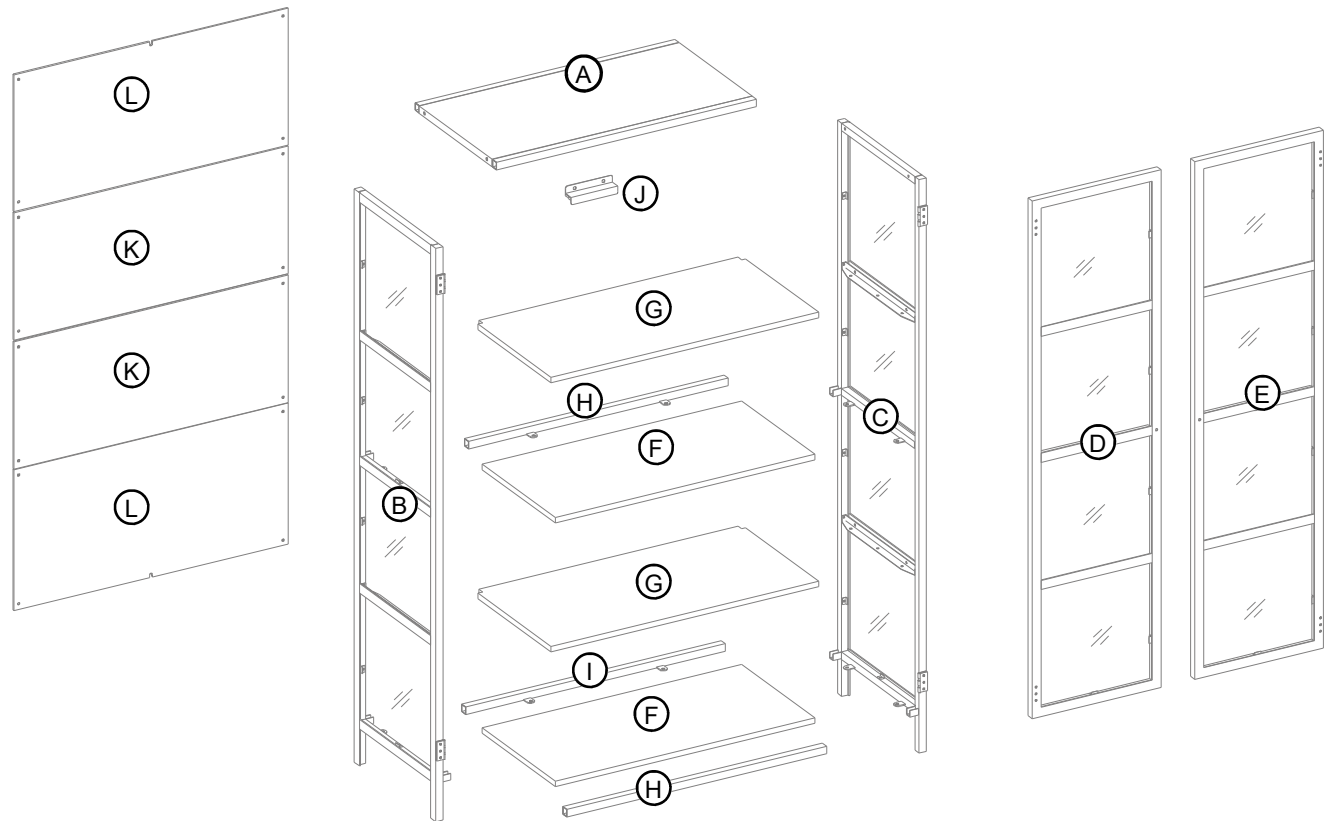


Spare hardware



exploded diagram

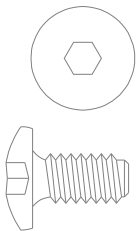
ITEM	DESCRIPTION	QTY
A	Top panel	1
B	Left side frame	1
C	Right side frame	1
D	Left door	1
E	Right door	1
F	Middle / Bottom shelf	2
G	Upper / Lower shelf	2
H	Bottom front / Middle stretcher	2
I	Bottom back stretcher	1
J	Metal bracket	1
K	Middle back panel	2
L	Upper / Bottom back panel	2



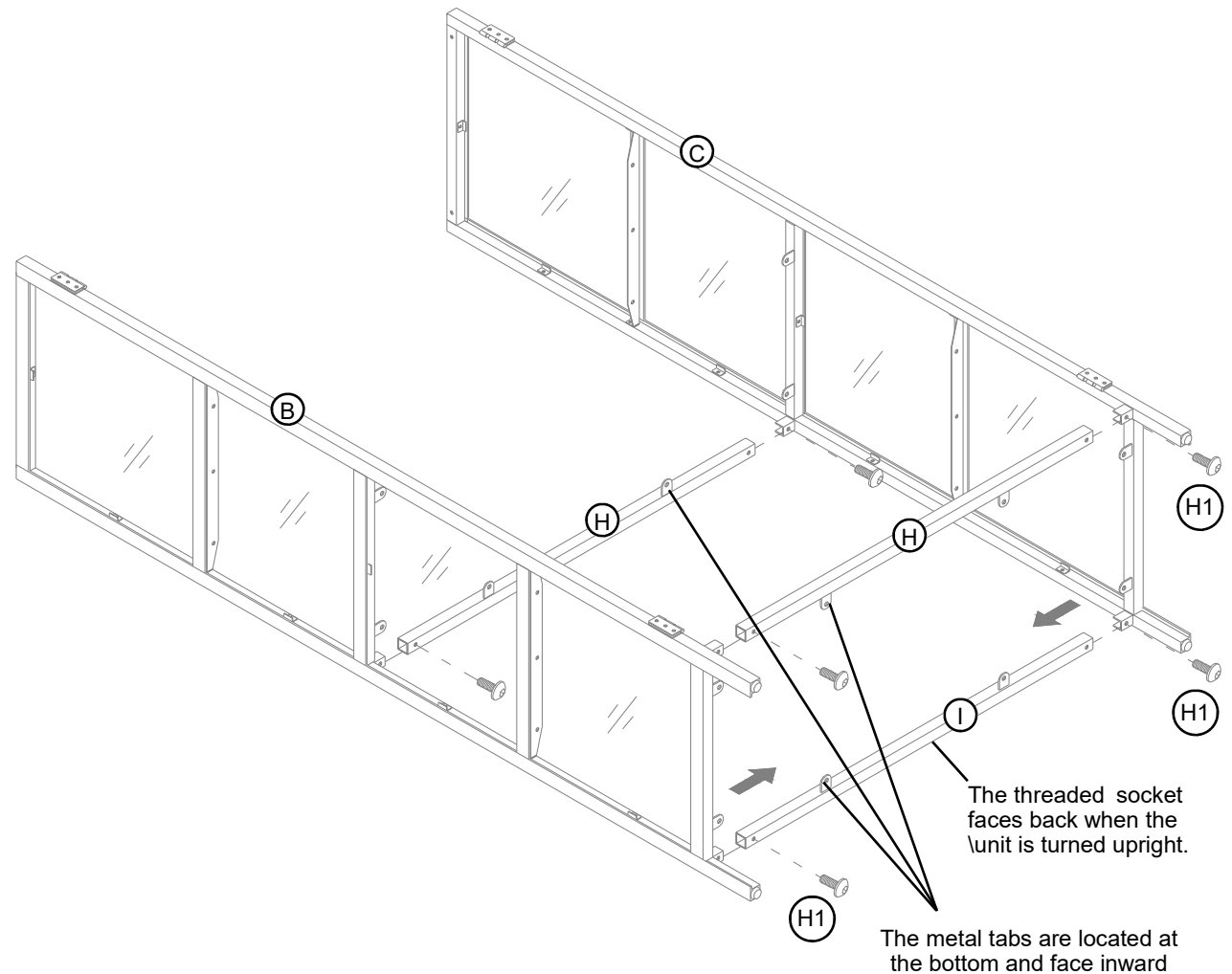
step 1: Attach the stretchers between the side frames

NOTE: DO NOT fully tighten all bolts until you finish assembling all parts. Once assembled, go back and fully tighten all bolts. This will make the assembly easier.

(H1) x 6
1/4" x 12 mm bolt



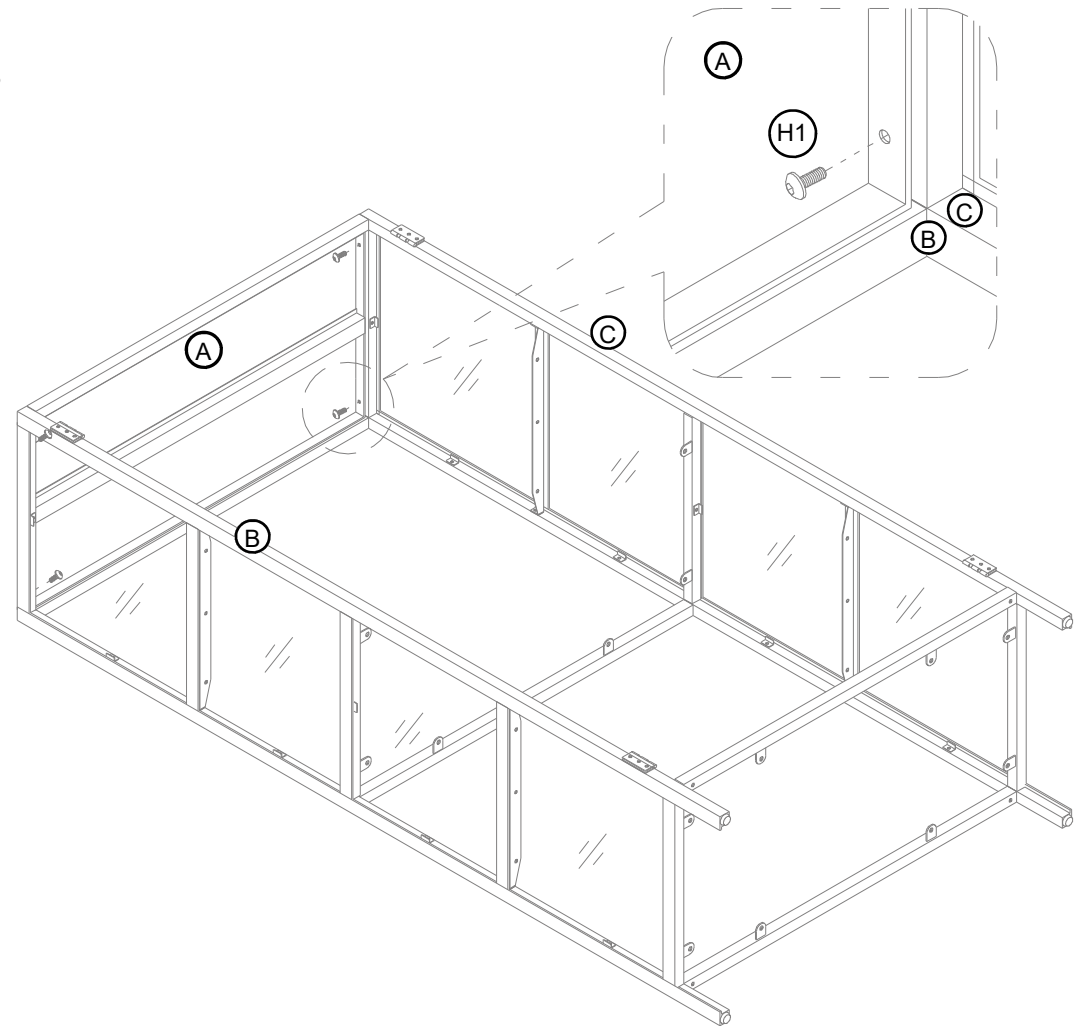
(H8) x 1
hex wrench



- 1.1. Fit the Bottom front / Middle stretchers (H) onto the U-shaped brackets on the left side frame (B) and fasten them into place with two 12 mm bolts (H1).
- 1.2. Fit the bottom back stretcher (I) onto the bottom U-shaped bracket on the left side frame (B) and fasten it into place with one 12 mm bolt (H1).
- 1.3. Repeat the same procedure to attach the right side frame (C) at the opposite end.

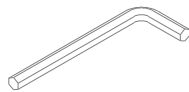
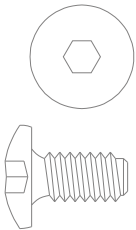
step 2: Fasten the top panel to the previous assembly

NOTE: Try working from one end to the other to slide the top panel (A) into place. You may need to push or pull the top stretchers and side frames slightly to get them to align with the holes. Make sure the front metal stretcher of top panel (A) and the front posts of side frames (B and C) are flush.



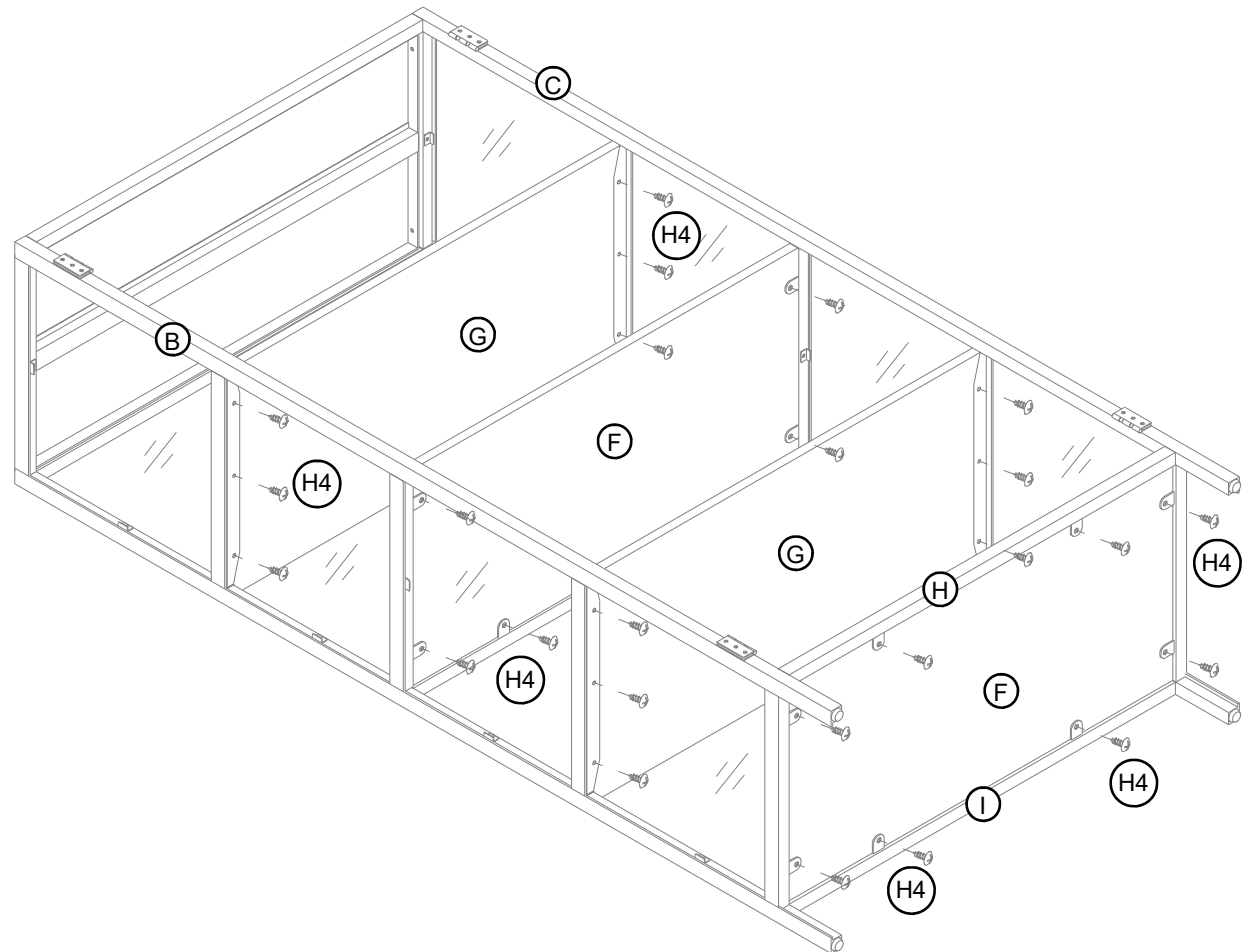
(H1) x 4
1/4" x 12 mm bolt

(H8) x 1
hex wrench

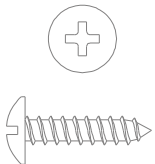


- 2.1. Fit the top panel (A) between the side frames (B and C). Make sure that the mounting holes overlap the threaded sockets on the side frames (B and C).
- 2.2. Insert four 12 mm bolts (H1) through the mounting holes on the side rails of the top panel (A) and screw into place.

step 3: Attach the shelves to the unit

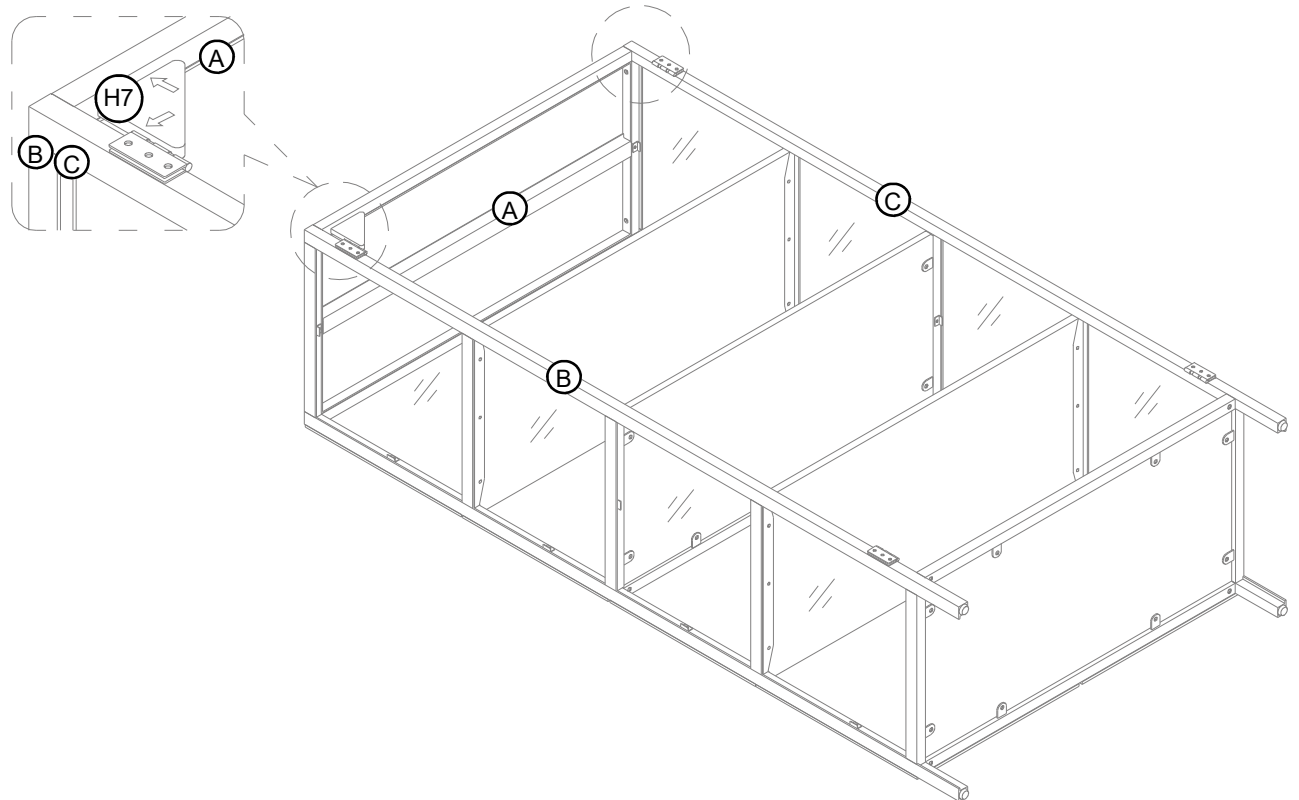


(H4) x 26
M4.5 x 15 mm pan head screw

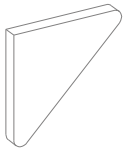


- 3.1. Tilt and slide the middle and bottom shelves (F) onto the metal tabs of both side frames (B and C) and the stretchers (H and I) as shown.
- 3.2. Insert the 15 mm pan head screws (H4) through the metal tabs and securely screw into the shelves (F).
- 3.3. Repeat the same process to attach the upper and lower shelves (G) to the rails of both side frames (B and C).

step 4: Fit the set square onto the front corners for checking the unit square



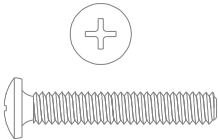
(H7) x 1
set square



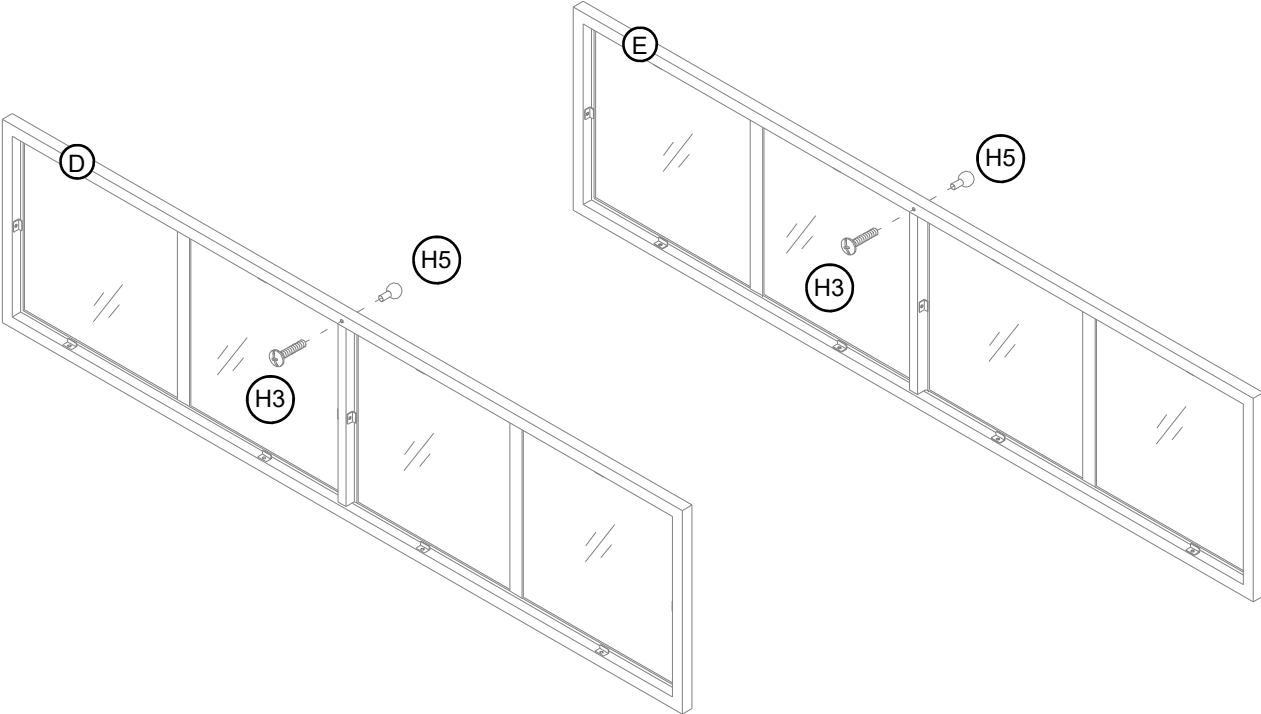
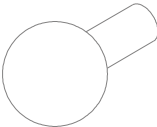
- 4.1. Now, go back and tighten all bolts and screws. Make sure all the parts are tight and there are no gaps between the parts. This will help keep the unit square.
- 4.2. Fit the set square (H7) onto the front corners of the assembly for checking the unit square. If you find that there are gaps and no square between the parts, this can be done by loosening the installed bolts and adjust properly for a good fit.

step 5: Install the door knobs

(H3) x 2
knob bolt



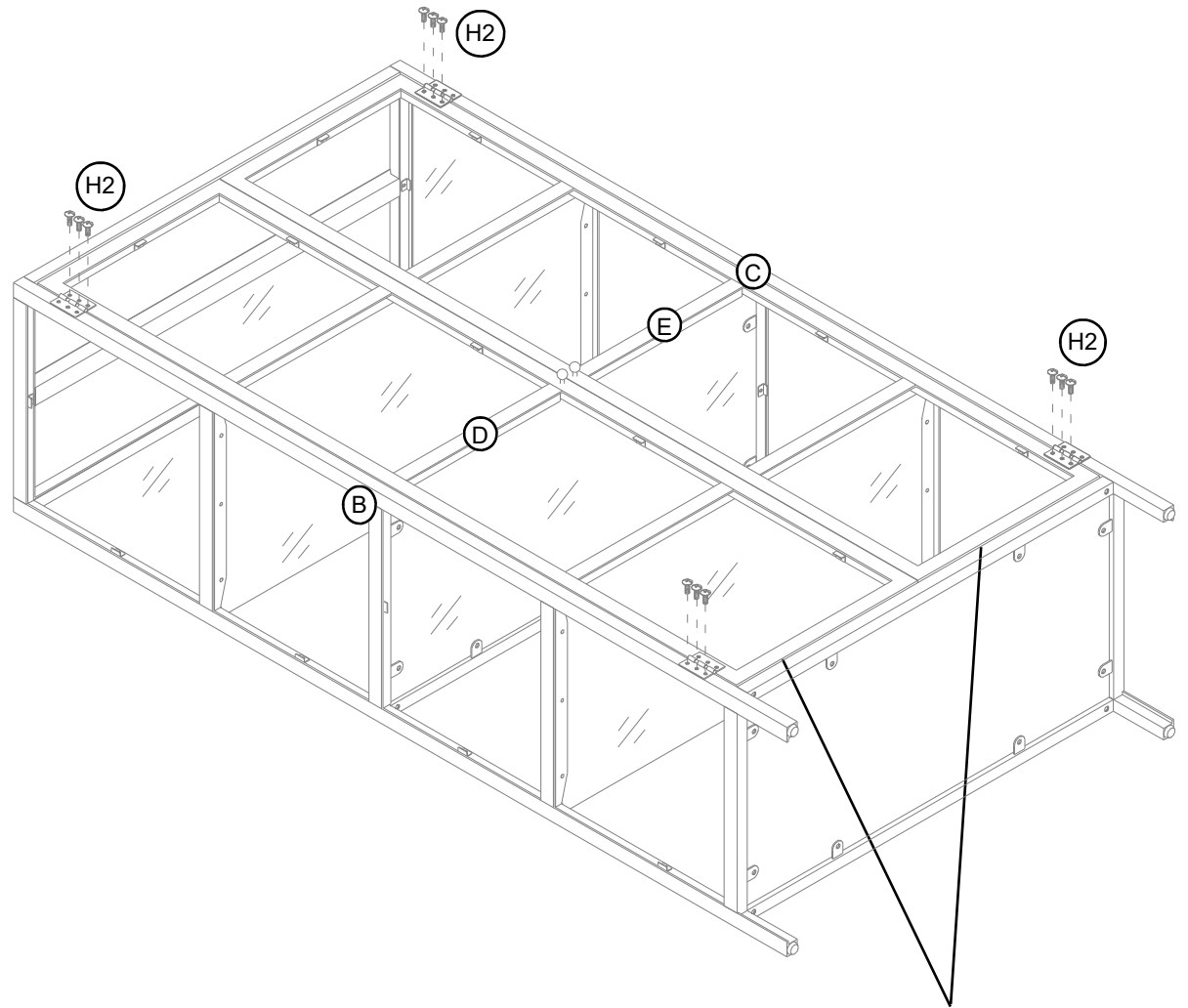
(H5) x 2
knob



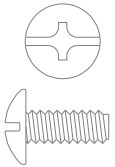
5.1. Fasten the knob (H5) to the front side of each doors (D and E) with one knob bolt (H3) per knob.

step 6: Install the doors

NOTE: DO NOT fully tighten all bolts until you finish assembling all parts. Once assembled, go back and fully tighten all bolts. This will make the assembly easier.



(H2) x 12
M4 x 10 mm bolt



The drainage hole will face the floor when the unit is turned upright.

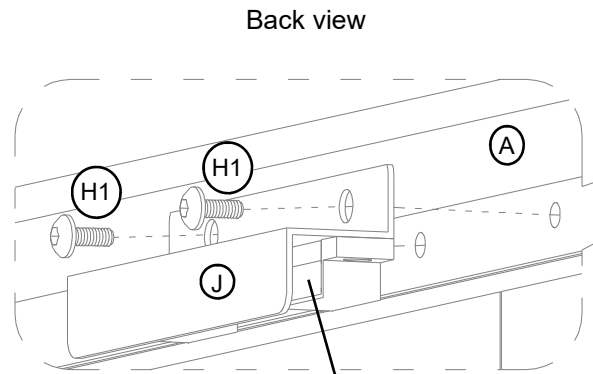
- 6.1. Pick up left door (D) and attach it to the butt hinges pre-attached on the left side frame (B) with three 10 mm bolts (H2) per hinge. DO NOT fully tighten the bolts.
- 6.2. Repeat the same procedure to install the right door (E).
- 6.3. Open and close the doors and adjust the gaps to make sure they are aligned and shut correctly. If necessary, shim the doors in the portion with small gap while tightening the hinges.

step 7: Attach the metal bracket to the front stretcher of top panel



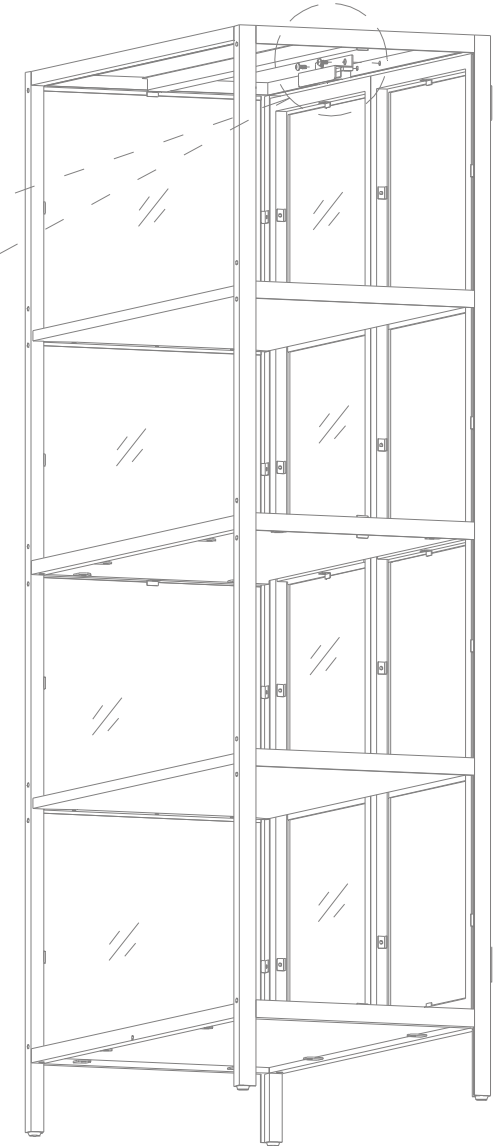
CAUTION: Heavy! You may need assistance with this step.

NOTE: DO NOT fully tighten all bolts until you finish assembling all parts. Once assembled, go back and fully tighten all bolts. This will make the assembly easier.



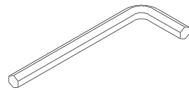
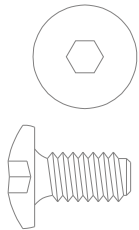
Back view

The magnetic catch is located at the front and will face the floor when the unit is turned upright.



(H1) x 2
1/4" x 12 mm bolt

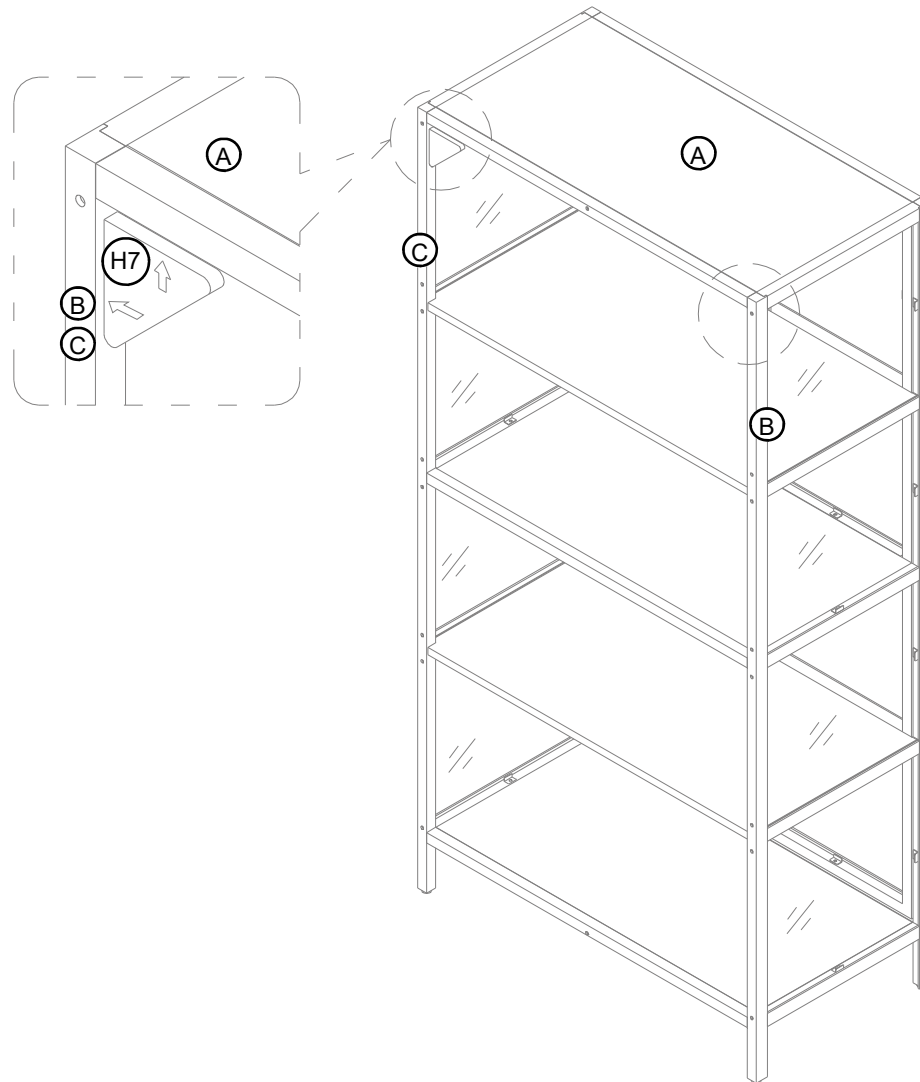
(H8) x 1
hex wrench



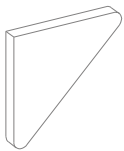
7.1. Ask for assistance to stand the previous assembly upright.

7.2. Attach the metal bracket (J) to the front rail of top panel (A) as shown. Ensure the magnetic catch touches the doors properly.

step 8: Fit the set square onto the back corners for checking the unit square



(H7) x 1
set square



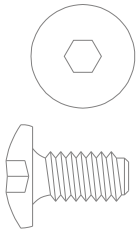
8.1. Fit the set square (H7) onto the back corners of the assembly for checking the unit square. If you find that there are gaps and no square between the parts, this can be done by loosening the installed bolts and adjust properly for a good fit.

step 9: Fasten the back panels to the unit

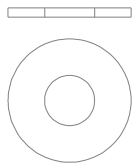


CAUTION: Heavy! You may need assistance with this step.

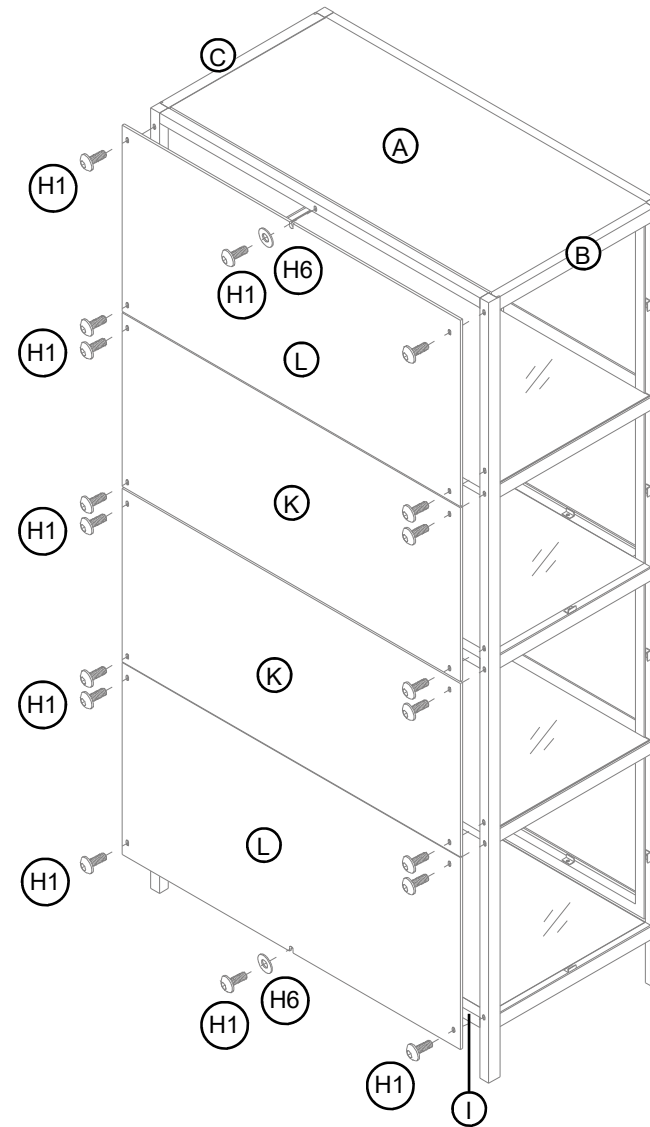
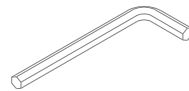
(H1) x 18
1/4" x 12 mm bolt



(H6) x 2
flat washer



(H8) x 1
hex wrench

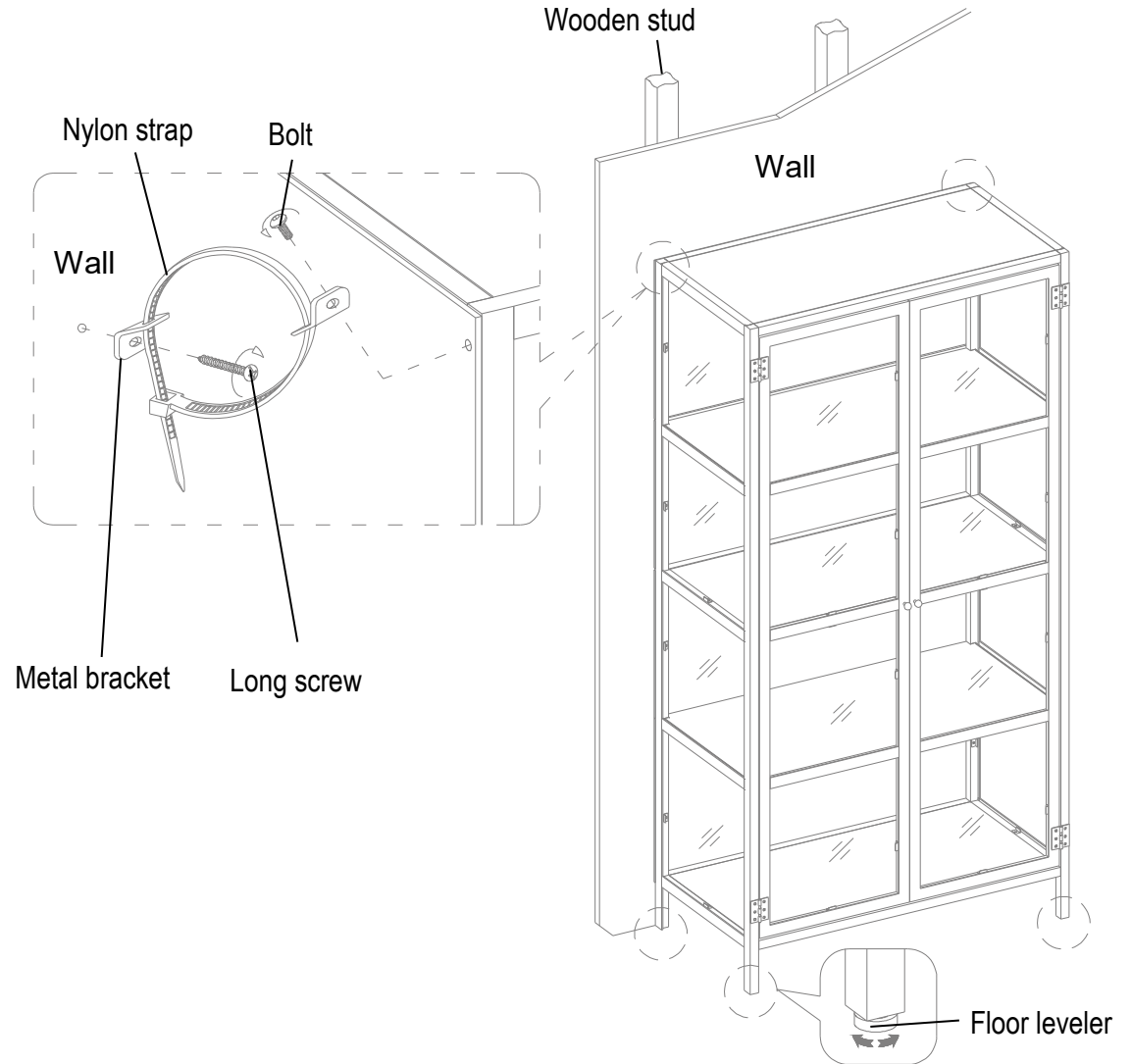
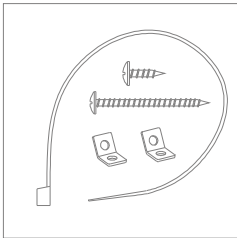


- 9.1. Make sure the front doors, both left (D) and right (E), are aligned and with equal gaps, doors touching the magnetic catch. Align the levelers if required.
- 9.2. Align and attach the back panels (K and L) to the side frames (B and C) with the 12 mm bolts (H1).
- 9.3. Insert one 12 mm bolt (H1) with the flat washer (H6) through the middle indentation of both upper and bottom back panels (L) and screw into the back stretchers.

step 10: Attach tip-over restraint hardware kit



(H9) x 2
tipping restraint hardware kit
(inside plastic bag)

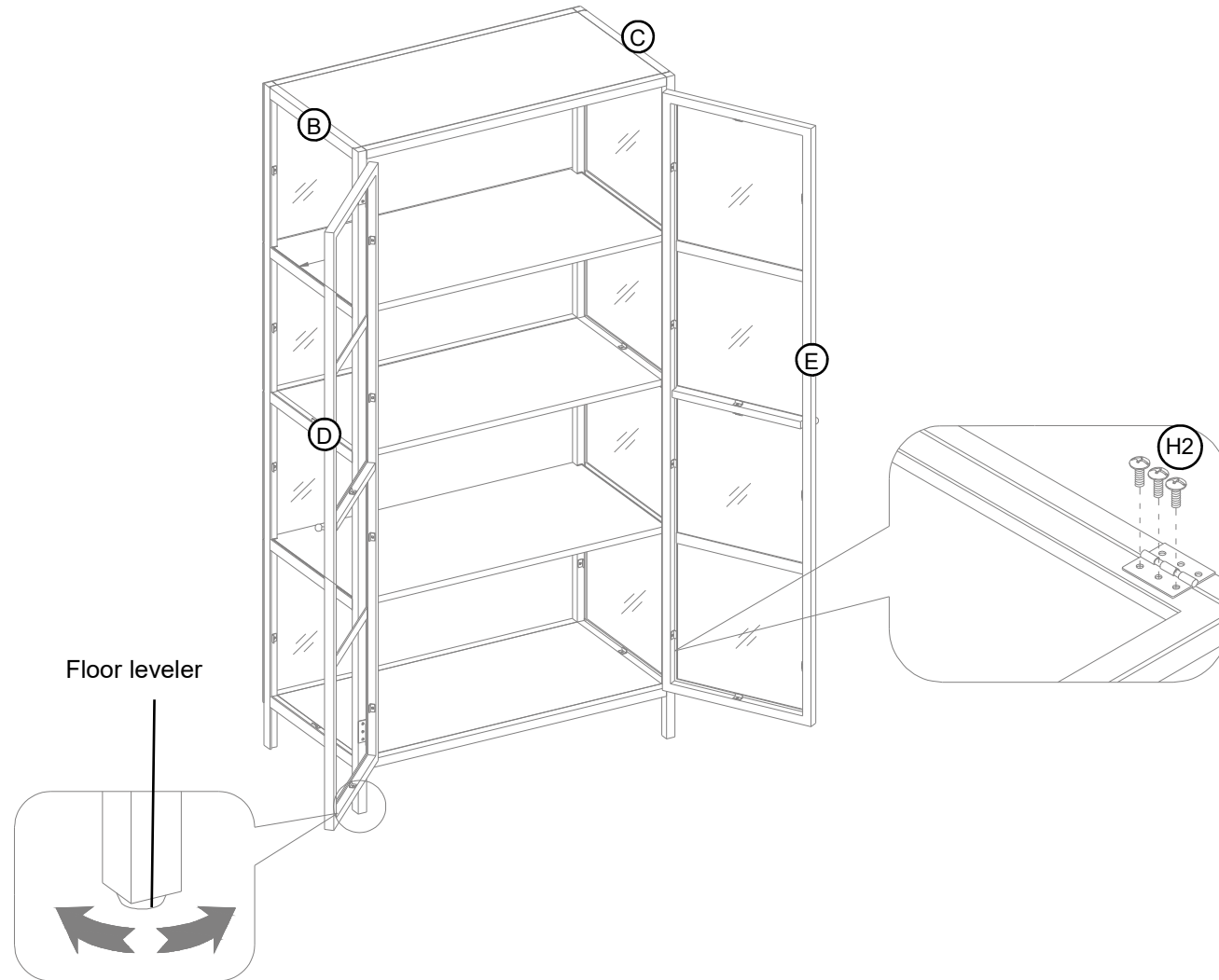


Tools required: Phillips screwdriver, stud finder, tape measure, pencil, power drill and 1/8" drill bit.

10.1. Adjust the pre-attached floor levelers to level the unit against a wall.

10.2. Follow the instructions printed on plastic bag containing tipping restraint hardware to attach tip-over restraint between the unit and the wall. **NOTE:** You must use this tipping restraint to attach this unit to the wall, to prevent accidents and / or injuries. Share the back panel bolt hole for the anti-tipping hardware.

step 11: Correct the doors alignment



NOTE: Open and close the doors and adjust the gaps to make sure they are aligned and shut correctly.
If you find that the doors do not close properly or do not align correctly, please follow these steps:

- 11.1. Adjust the floor levelers pre-attached underneath the side frames (B and C) to level the doors.
- 11.2. Open the doors and loosen the installed bolts (H2) on the door hinges and adjust properly for a good fit. Shim the door into the portion with narrow gap.
- 11.3. Once the doors function properly, go back and tighten all the screws and bolts.

Care and Maintenance

- Use a soft, clean cloth that will not scratch the surface when dusting.
- Use of furniture polish is not necessary. Should you choose to use polish, test first in an inconspicuous area.
- Using solvents of any kind on your furniture may damage the finish.
- Never use water to clean your furniture as it may cause damage to the finish.
- Always use coasters under beverage glasses and flowerpots.
- Liquid spills should be removed immediately. Using a soft, clean cloth, blot the spill gently. Avoid rubbing.
- Always use protective pads under hot dishes and plates. Heat can cause chemical changes that may create spotting within the furniture finish.
- Stains or marks from crayons or ink markers will be difficult to remove.
- In the event that your furniture is stained or otherwise damaged during use, we recommend that you call a professional to repair your furniture.
- Check bolts/screws and nuts periodically and tighten them if necessary.

Further Advice about Wood Furniture Care

It is best to keep your furniture in a climate-controlled environment. Extreme temperature and humidity changes can cause fading, warping, shrinking and splitting of wood. It is advised to keep furniture away from direct sunlight as sun may damage the finish.

Proper care and cleaning at home will extend the life of your purchase. Following these important and helpful tips will enhance your furniture as it ages.

We hope you enjoy your purchase for many years.
Thank you for your purchase!

QUALITY GUARANTEE

We are confident that you will be delighted with your Whalen Furniture purchase.

Should this product be defective in workmanship or materials or fail under normal use, we will repair or replace it for up to one (1) year from date of purchase. Every Whalen Furniture product is designed to meet your highest expectations. We guarantee that you will immediately see the value of our fine furniture.

This warranty gives you specific al rights and you may also have other rights which vary from state to state or province to province.

Customer Service: 1-855-MYTGTHOME (855-698-4846)
8:30 a.m. - 4:30 p.m., PST, Monday to Friday
www.whalenfurniture.com

The shelf, top and bottom panel maximum recommended weight allowance is 22.7 kg / 50 lb.

 **WARNING**

Please use your furniture correctly and safely. Improper use can cause safety hazards, or damage to your furniture or household items. Carefully read the following safety information.

Death or serious injury may occur when children climb on audio and/or video equipment furniture. A remote control or toys placed on the furnishing may encourage a child to climb on the furnishing and as a result may tip over onto the child.

NEVER allow children to climb or play with the TV or furnishing supporting the TV.

NEVER place toys, food, remote, etc. on top of the TV or TV furnishing.

ALWAYS use either the safety hardware as instructed or other wall anchoring device.

Relocating audio and/or video equipment to furniture not specifically designed to support audio and/or video equipment may result in death or serious injury due to furniture collapse or over turning onto a child.

NEVER place a TV on furniture that is not intended to support a TV.

NEVER exceed the maximum size and weight of the TV shown in the instructions.

Be sure to refer to the TV warning label as shown in the instructions.

Overloading drawers and shelves may result in furniture that can break or sag, or tip-over which may result in injury.

NEVER exceed the weight limits shown in the instructions.

Place the heavier items on lower shelves as far back from the front as possible.

Load the bottom surfaces first to avoid top-heavy furniture.

Moving furniture that is not designed to be moved or equipped with casters may result in injury or damage to furnishings or personal property.

ALWAYS unload shelves and drawers, starting with the top surfaces, before moving.

NEVER push or pull furniture on carpet. Have a friend help lift properly to move and/or reposition it.

The unit is not meant as a seat and no one should be sitting or standing on the top panel.