



THRESHOLD™

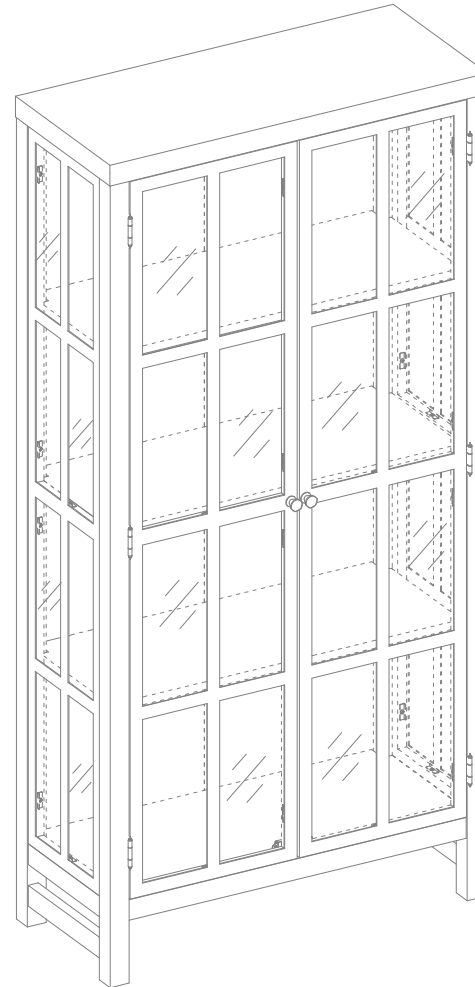
— *designed with* —

STUDIO MCGEE

Bountiful Wood and Glass Tall Cabinet

Style #: TGT63BK

DPC-item #: 249-17-0038



>> Assembly instructions



Congratulations on your latest Target purchase.

Now what? Don't start sweating over this box of parts. This will be easy. We did the hard work for you. All you need to do is follow our simple instructions and you'll be on your way to transforming your room in no time. Good luck – though we're confident you won't need it.

before you begin

1. Check for damaged or missing parts. Call 1-855-MYTGTHOME (855-698-4846) to order missing supplies.
2. Use the carton as a work surface to prevent product damage during assembly.
3. Gather all tools prior to assembly.

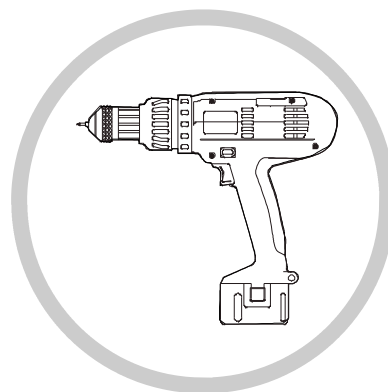
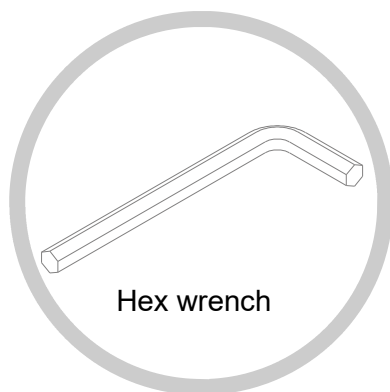
Before you begin >>>

3D-GUIDED INTERACTIVE ASSEMBLY INSTRUCTIONS CAN BE FOUND ON **BILT**[®]

DOWNLOAD THE FREE APP



tool needed (only hex wrench included)






For tipping restraint hardware kit only.

FURNITURE TIPPING RESTRAINT

YOUNG CHILDREN MAY BE INJURED BY TIPPING FURNITURE AND YOU MUST USE THIS TIPPING RESTRAINT TO ATTACH THIS UNIT TO THE WALL, TO PREVENT ACCIDENTS AND/OR INJURIES.

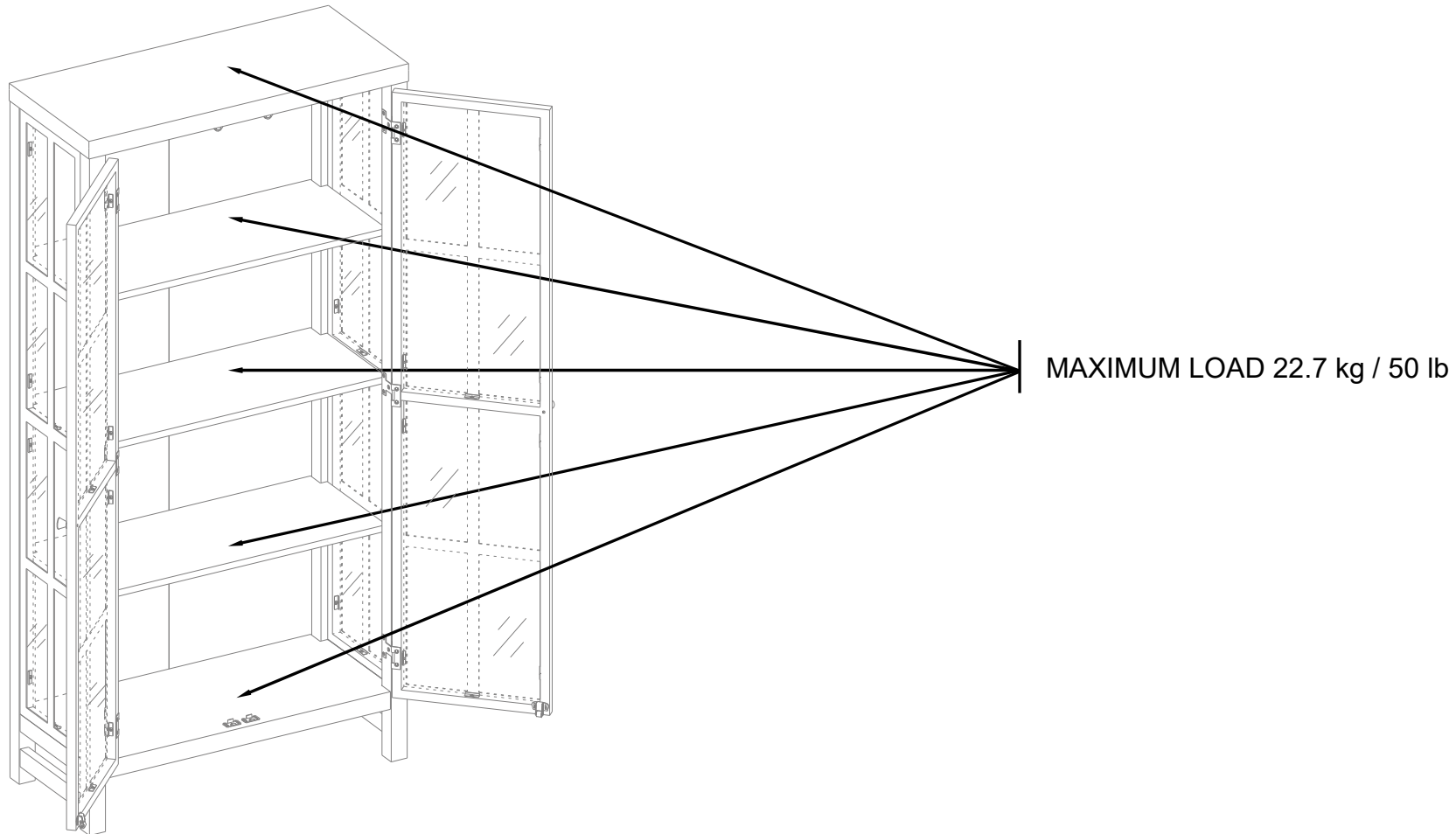
THIS HARDWARE, MUST BE PROPERLY INSTALLED (FOLLOW ALL DIRECTIONS IN ORDER ON THIS INSTRUCTIONS), TO PROVIDE PROTECTION AGAINST THE UNEXPECTED TIPPING OF FURNITURE DUE TO IMPROPER USE.

THIS PRODUCT IS ONLY A DETERRENT. IT IS NOT A SUBSTITUTE FOR PROPER ADULT SUPERVISION. USE OF TIP-OVER RESTRAINTS MAY ONLY REDUCE, BUT NOT ELIMINATE, THE RISK OF TIP-OVER.

 WARNING	
	<p>Children have died from furniture tipover. To reduce the risk of furniture tipover:</p> <ul style="list-style-type: none">• ALWAYS install tipover restraint provided.• NEVER put a TV on this product.• NEVER allow children to stand, climb or hang on drawers, doors, or shelves.• NEVER open more than one drawer at a time.• Place heaviest items in the lowest drawers.
	<p>Use of tip-over restraints may only reduce, but not eliminate, the risk of tip-over.</p>

MAXIMUM RECOMMENDED WEIGHT LOADS

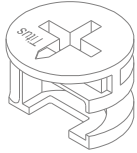
MANUFACTURER: Whalen Furniture Manufacturing
CATALOG: Bountiful Wood and Glass Tall Cabinet
MODEL # TGT63BK



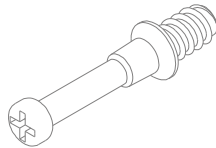
THIS UNIT IS INTENDED ONLY FOR USE WITHIN THE MAXIMUM WEIGHTS INDICATED. USE WITH LOADS HEAVIER THAN THE MAXIMUM WEIGHTS INDICATED MAY RESULT IN INSTABILITY, CAUSING POSSIBLE INJURY.

hardware

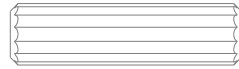
(H1) x 8
cam lock



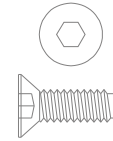
(H2) x 8
cam bolt



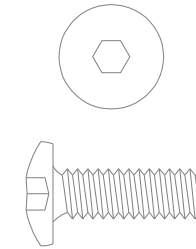
(H3) x 12
M8 x 30 mm
wood dowel



(H4) x 24
M4 x 12 mm bolt



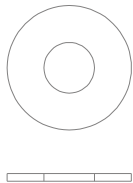
(H5) x 4
1/4" x 3/4" bolt



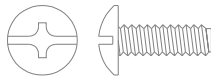
(H6) x 4
lock washer



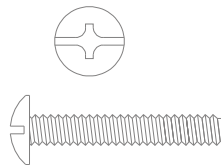
(H7) x 4
flat washer



(H8) x 4
Small bolt



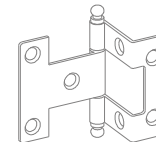
(H9) x 2
Knob bolt



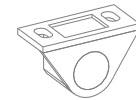
(H10) x 2
knob



(H11) x 6
door hinge



(H12) x 2
door catch



(H13) x 2
roller catch



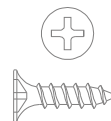
(H14) x 2
roller catch
metal plate



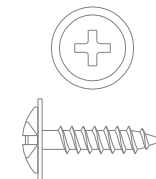
(H15) x 12
shelf support



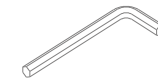
(H16) x 26
M3.5 x 12 mm
flat head screw



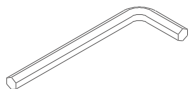
(H17) x 20
M3.5 x 15 mm
washer head screw



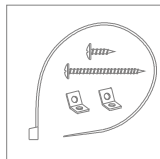
(H18) x 1
small hex wrench



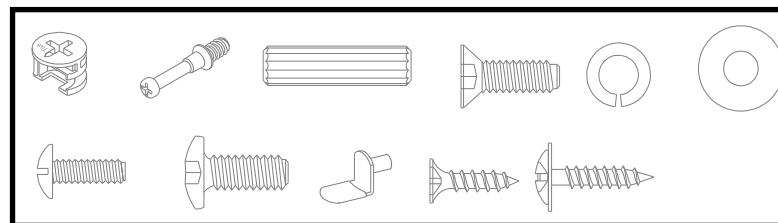
(H19) x 1
large hex wrench



(H20) x 2
tipping restraint hardware
kit (inside plastic bag)

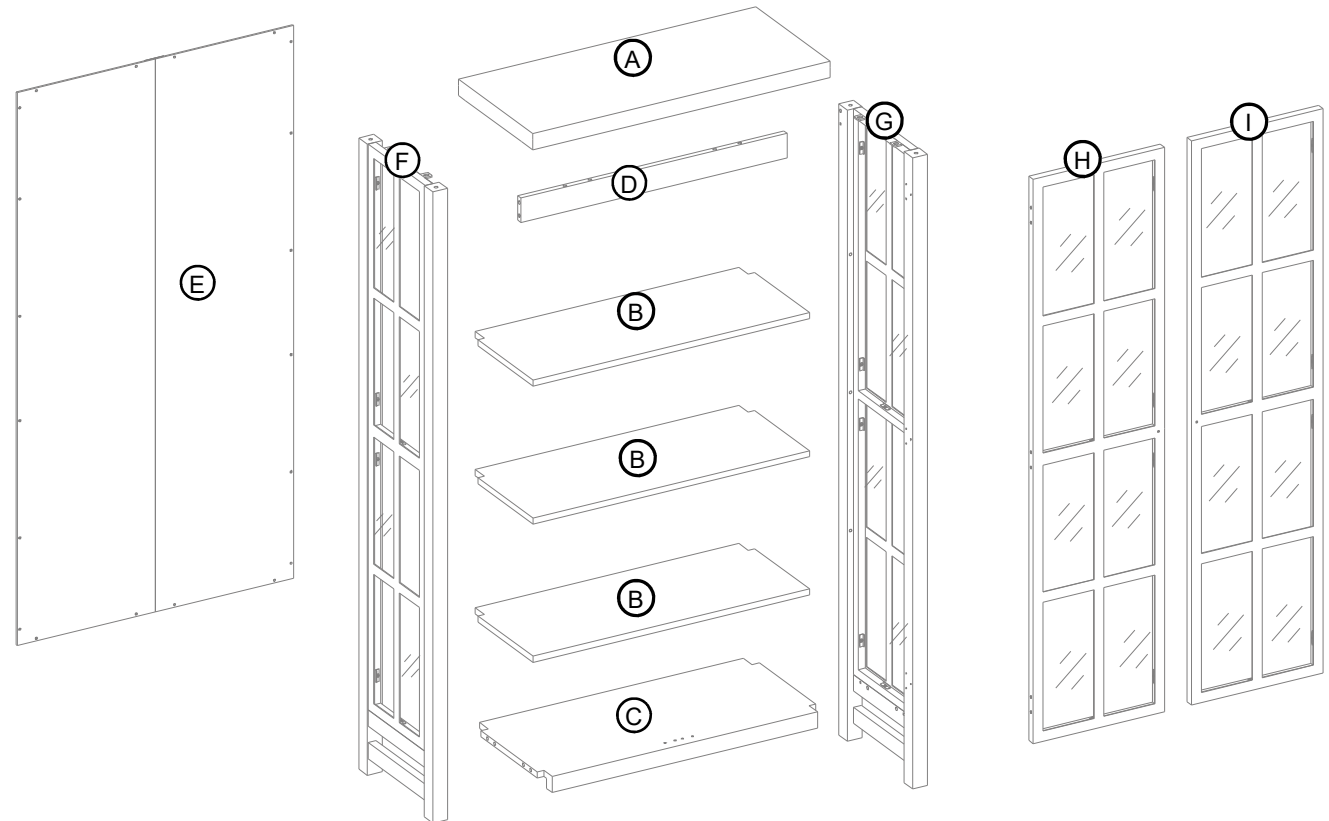


Spare hardware

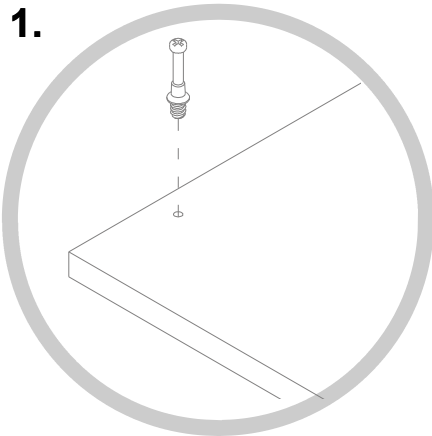


exploded diagram

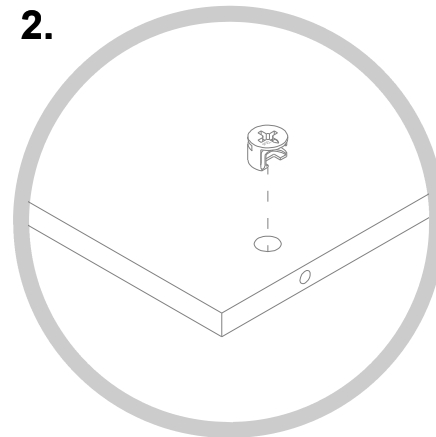
ITEM	DESCRIPTION	QTY
A	Top panel	1
B	Shelf	3
C	Bottom panel	1
D	Top back stretcher	1
E	Back panel	1
F	Left side frame	1
G	Right side frame	1
H	Left door	1
I	Right door	1



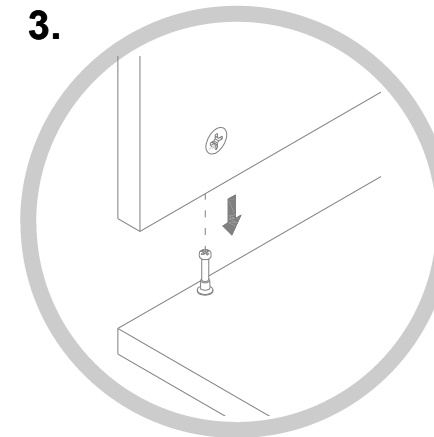
how to use the cam lock system



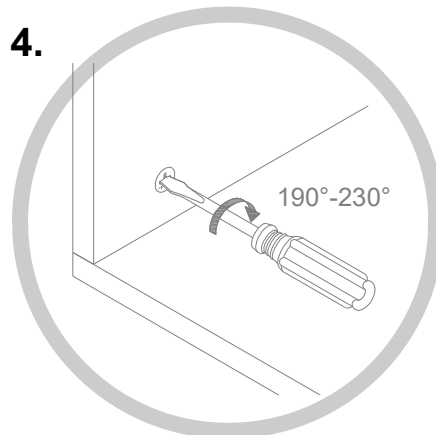
Screw cam bolt into panel



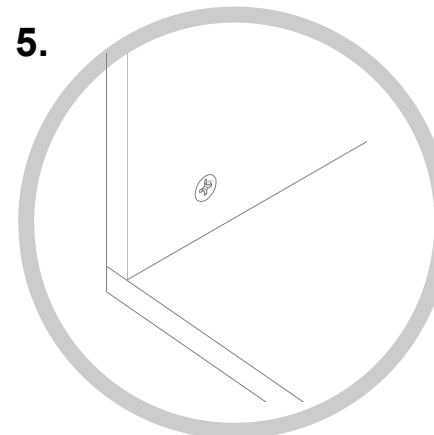
Push cam into panel - arrow feature on cam top points to panel edge



Align cam bolt(s) with cam(s) and insert all the way into cross-bored hole(s)

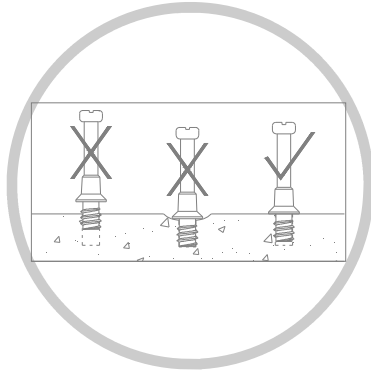


Rotate cam(s) clockwise 190°-230° to lock panels together

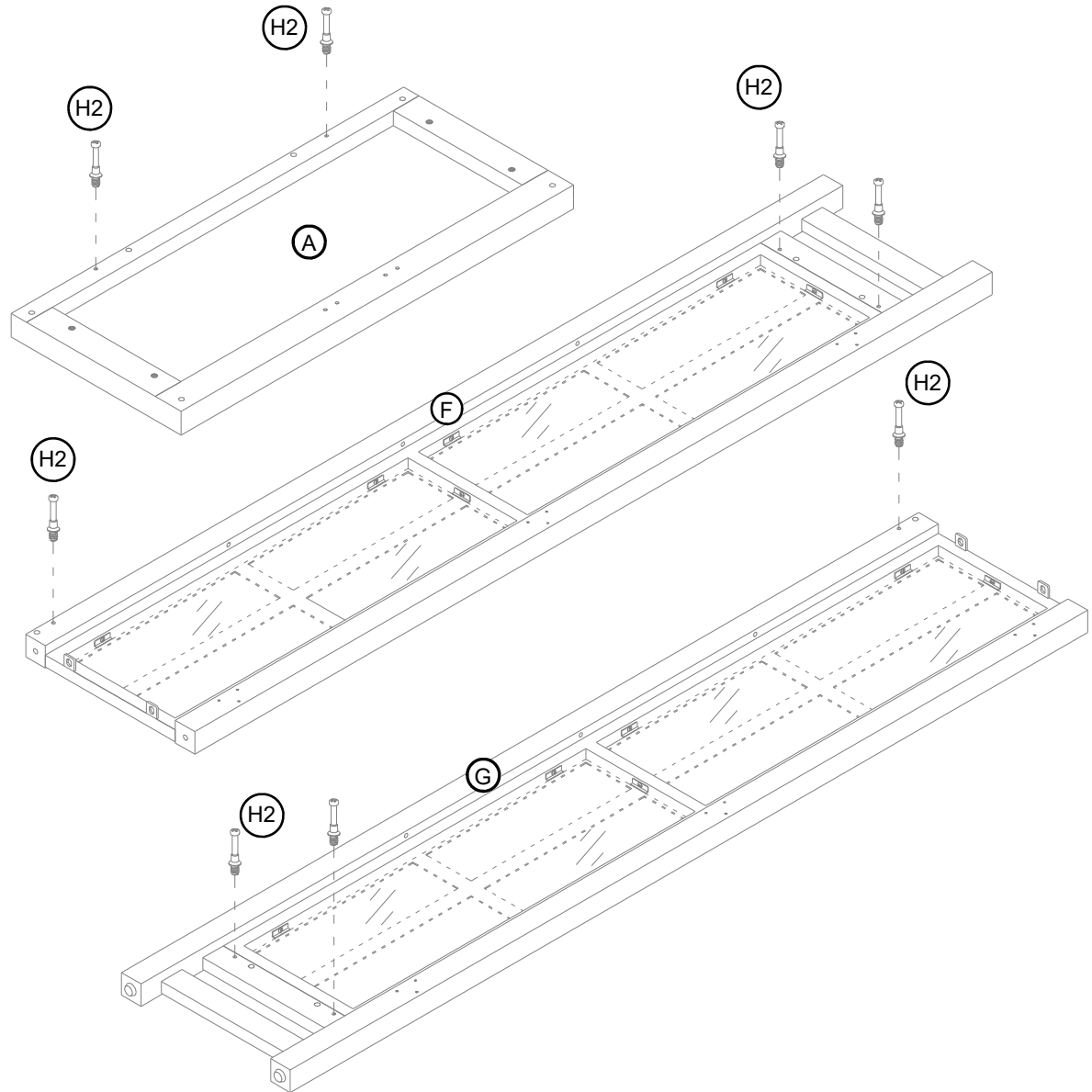
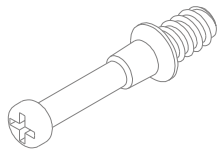


Panels should be tight against each other and connection should be rigid

step 1: Prepare the frame assembly



(H2) x 8
cam bolt



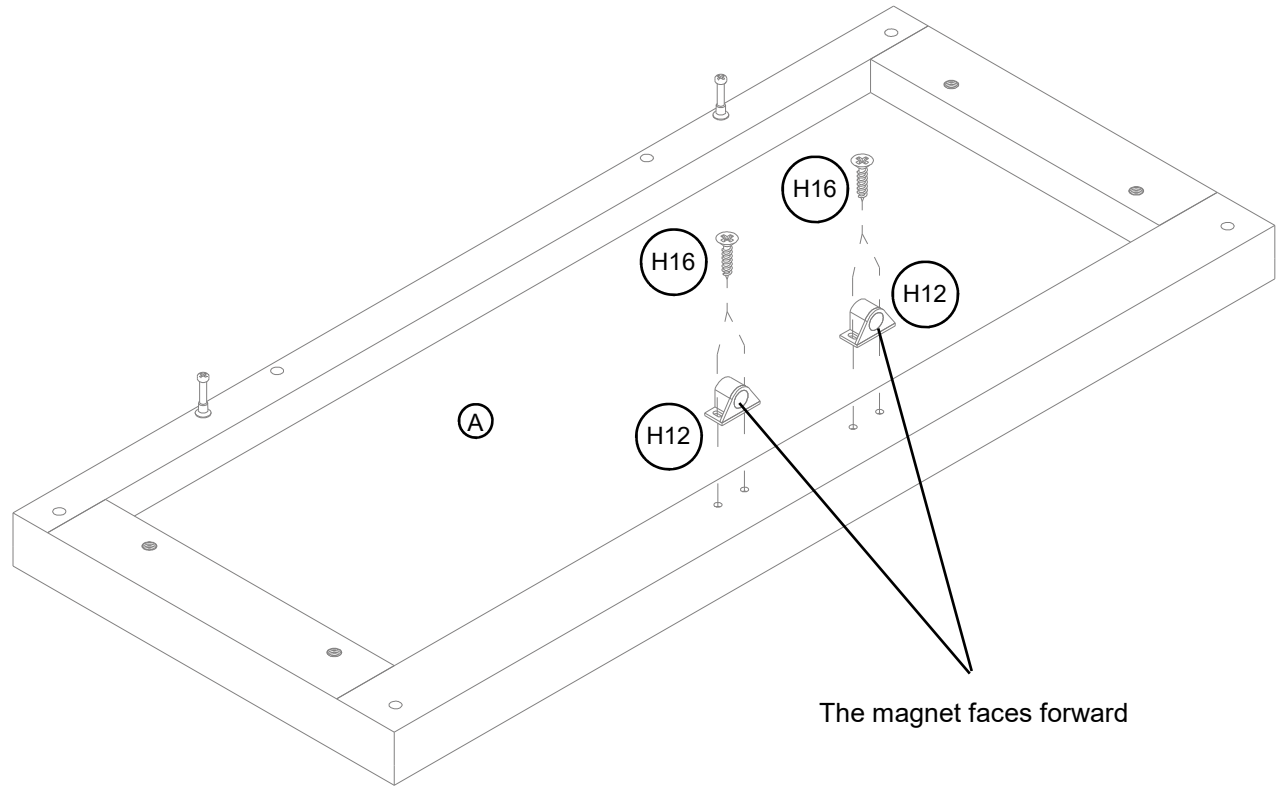
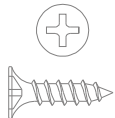
1.1. Securely screw the cam bolts into the designated small holes on the top panel (A) and side frames (F and G).
Note: The cam bolts must be screwed down flush.

step 2: Attach the door catches to the top panel

(H12) x 2
door catch



(H16) x 4
M3.5 x 12 mm
flat head screw



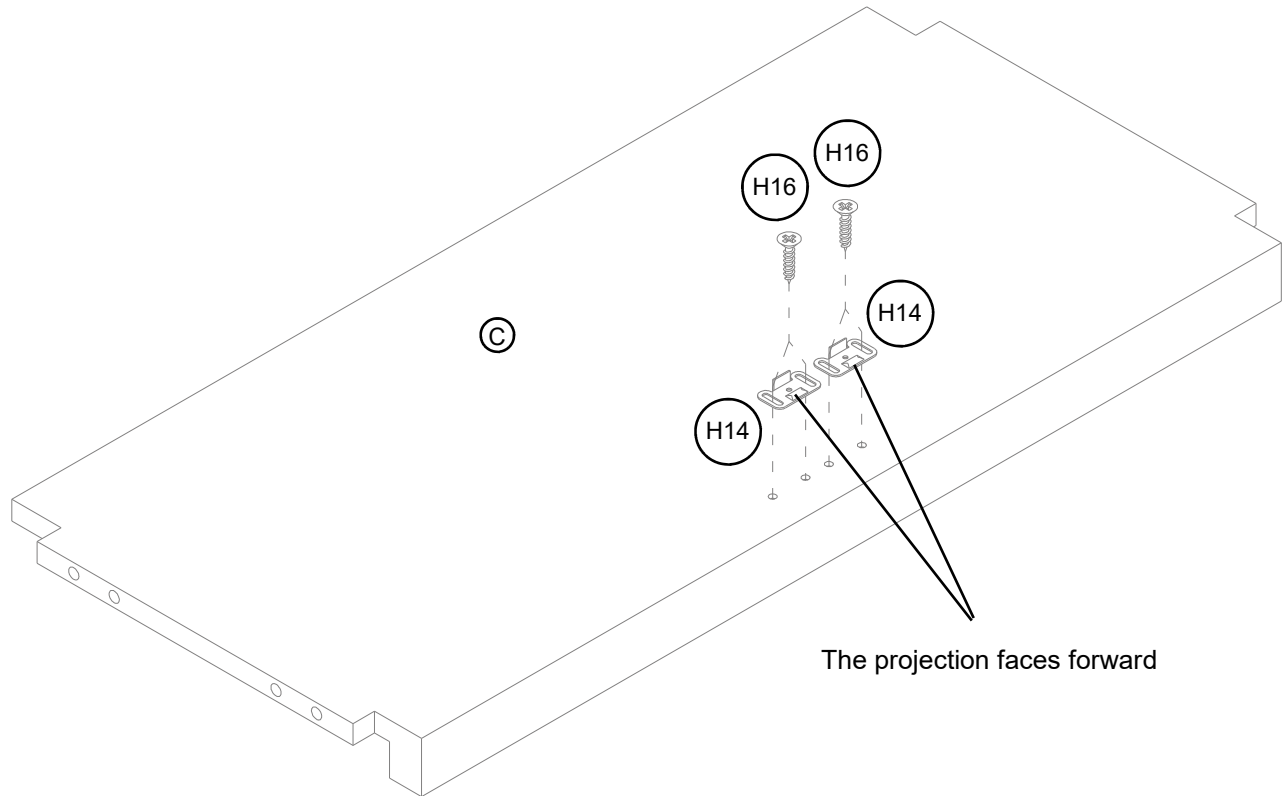
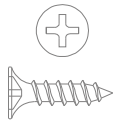
2.1. Using the pilot holes as a guide, attach two door catches (H12) to the top panel (A) as shown, with two 12 mm screws (H16) in each.

step 3: Attach the roller catch metal plates to the bottom panel

(H14) x 2
roller catch
metal plate



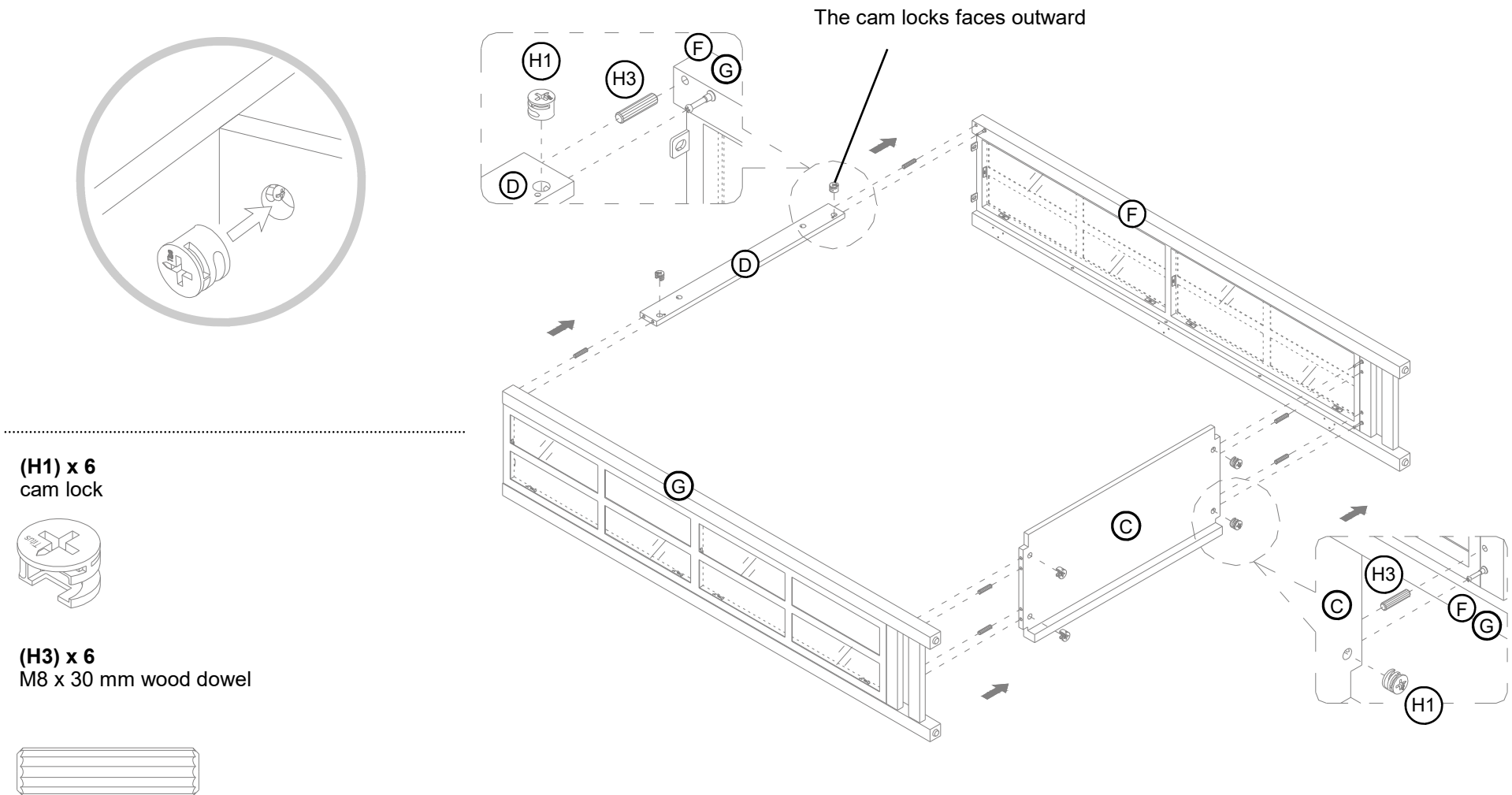
(H16) x 4
M3.5 x 12 mm
flat head screw



The projection faces forward

3.1. Using the pilot holes as a guide, Fasten two roller catch metal plates (H14) to the bottom panel (C) using two 12 mm screws (H16) in each.

step 4: Attach top back stretcher and bottom panel to the side frames



- 4.1. Attach the bottom panel (C) to the right side frame (G) using two cam locks (H1) and two wood dowels (H3).
- 4.2. Attach the top back stretcher (D) to the right side frame (G) using one cam lock (H1) and one wood dowel (H3).
- 4.3. Repeat the same procedure to attach the left side frame (F) at the opposite end.

step 5: Install the top panel

NOTE: DO NOT fully tighten all bolts until you finish assembling all parts. Once assembled, go back and fully tighten all bolts. This will make the assembly easier.

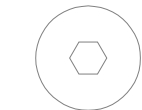
(H1) x 2
cam lock



(H3) x 6
M8 x 30 mm
wood dowel



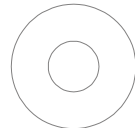
(H5) x 4
1/4" x 3/4" bolt



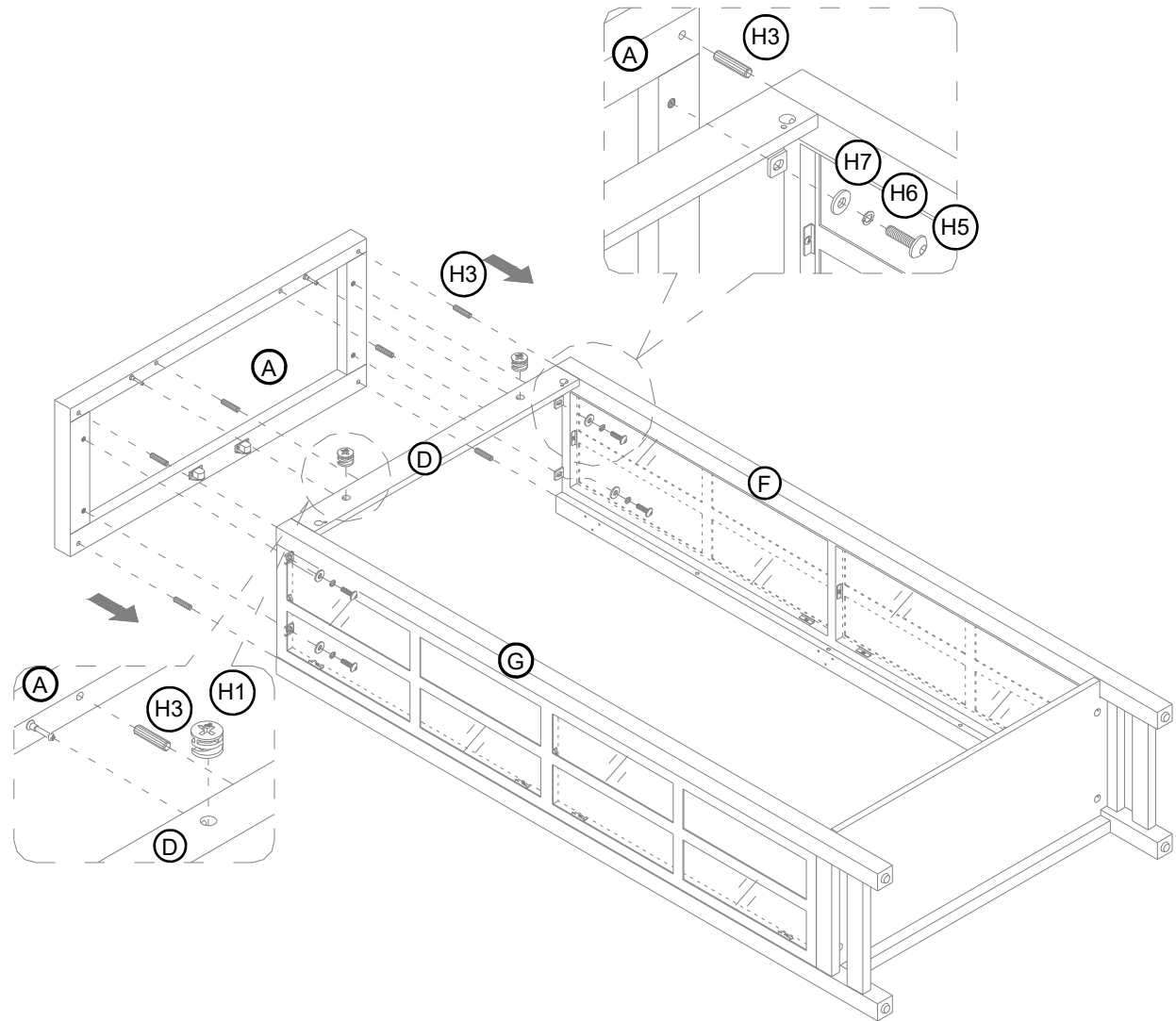
(H6) x 4
lock washer



(H7) x 4
flat washer



(H19) x 1
large hex wrench



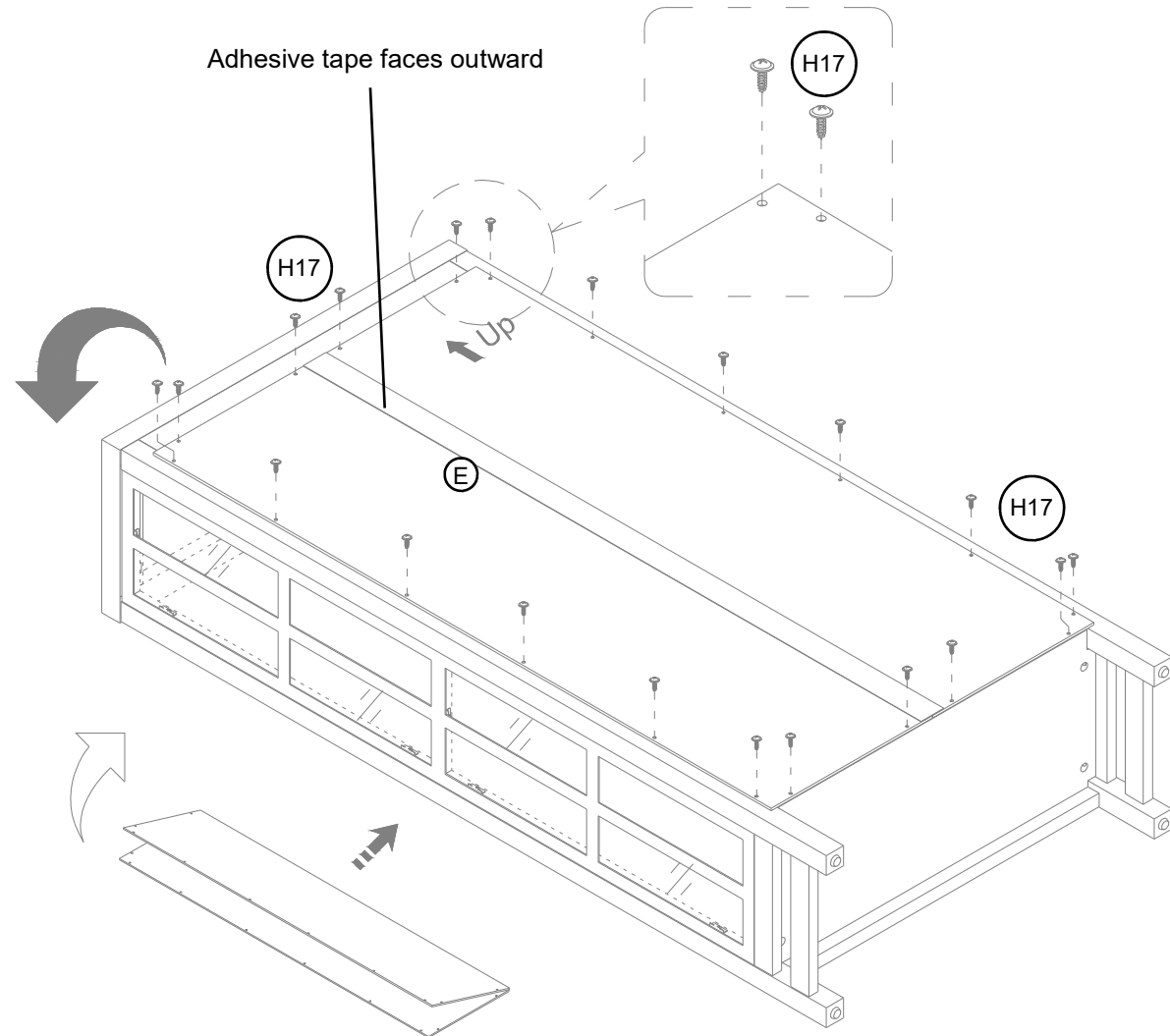
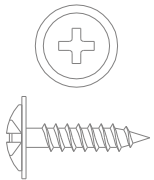
- 5.1. Insert the wood dowels (H3) into the inner holes on the side frames (F and G) and the top back stretcher (D).
- 5.2. Secure the top panel (A) to the top back stretcher (D) using two cam locks (H1).
- 5.3. Fasten the top panel (A) to the side frames (F and G) using four bolts (H5) and four washers (H6 and H7).

step 6: Attach the back panel to the unit



CAUTION: Heavy! You may need assistance with this step.

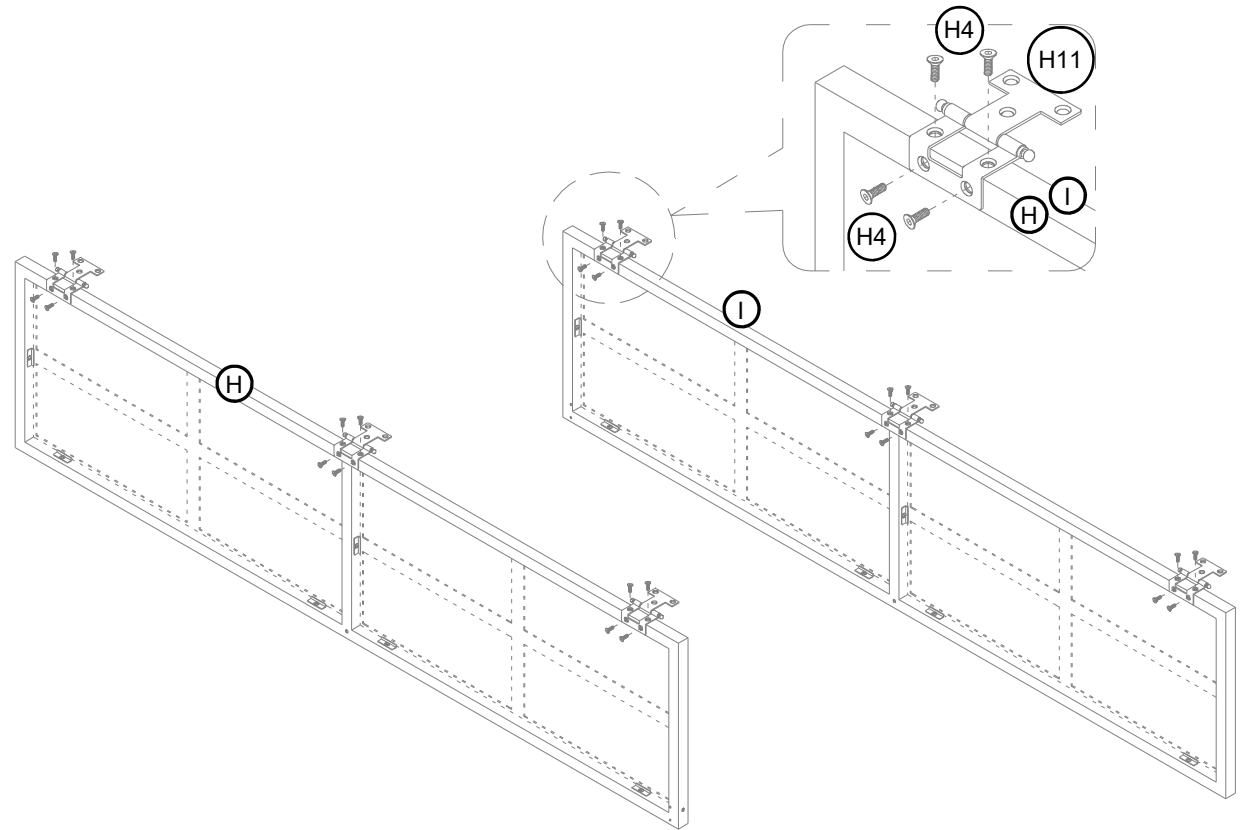
(H17) x 20
M3.5 x 15 mm
washer head screw



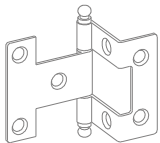
- 6.1. Now, go back and tighten all cam locks and screws. Make sure that all the parts are tight and there are no gaps between the parts. This will help keep the unit square.
- 6.2. Unfold the back panel (E) and position it onto the back edges of the assembly. Make sure that the overlaps on the panels are even all the way around. Secure the back panel (E) in place with the washer head screws (H17) provided.
NOTE: We recommend attaching back panel with the screws at the corners first.

step 7: Install door hinges

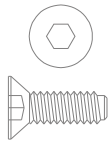
NOTE: DO NOT fully tighten all bolts until you finish assembling all parts. Once assembled, go back and fully tighten all bolts. This will make the assembly easier.



(H11) x 6
door hinge



(H4) x 24
M4 x 12 mm bolt



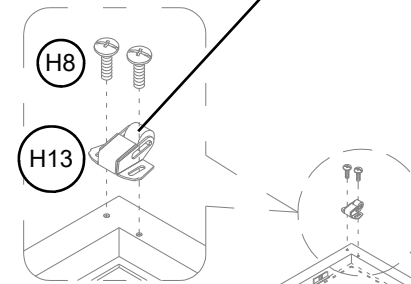
(H18) x 1
small hex wrench



7.1. Align and attach the door hinges (H11) to the doors (H and I), using four 12 mm bolts (H4) per hinge as shown.

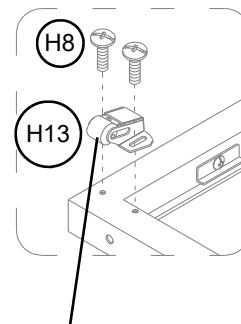
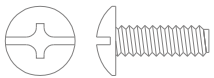
step 8: Attach the roller catches

The roller faces bottom edge



(H8) x 4
Small bolt

(H13) x 2
roller catch



The roller faces bottom edge

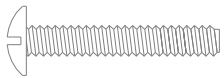
8.1. Fasten the roller catches (H13) to the doors (H and I).

step 9: Attach the doors and knobs



CAUTION: Heavy! You may need assistance with this step.

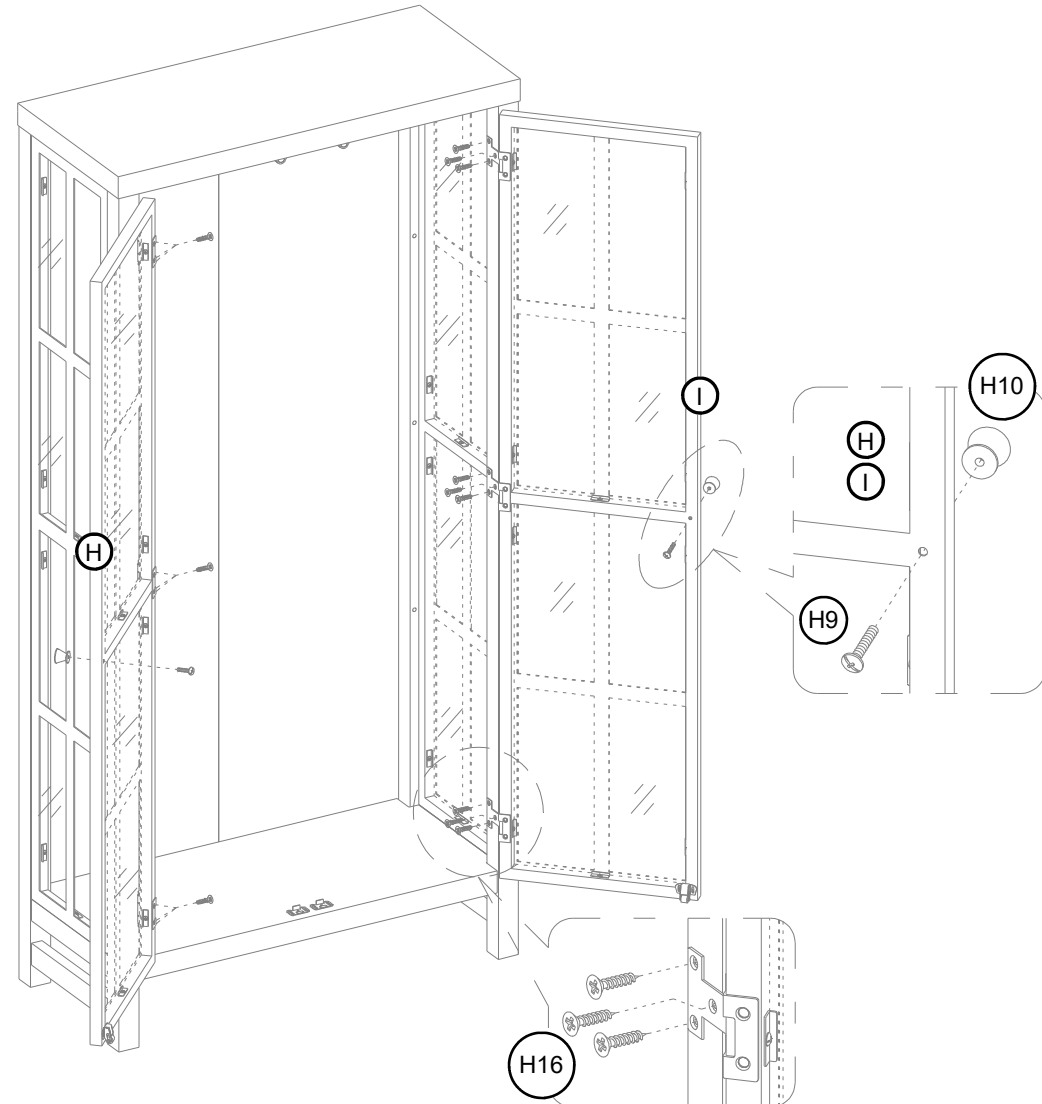
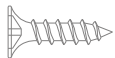
(H9) x 2
Knob bolt



(H10) x 2
knob



(H16) x 18
M3.5 x 12 mm
flat head screw

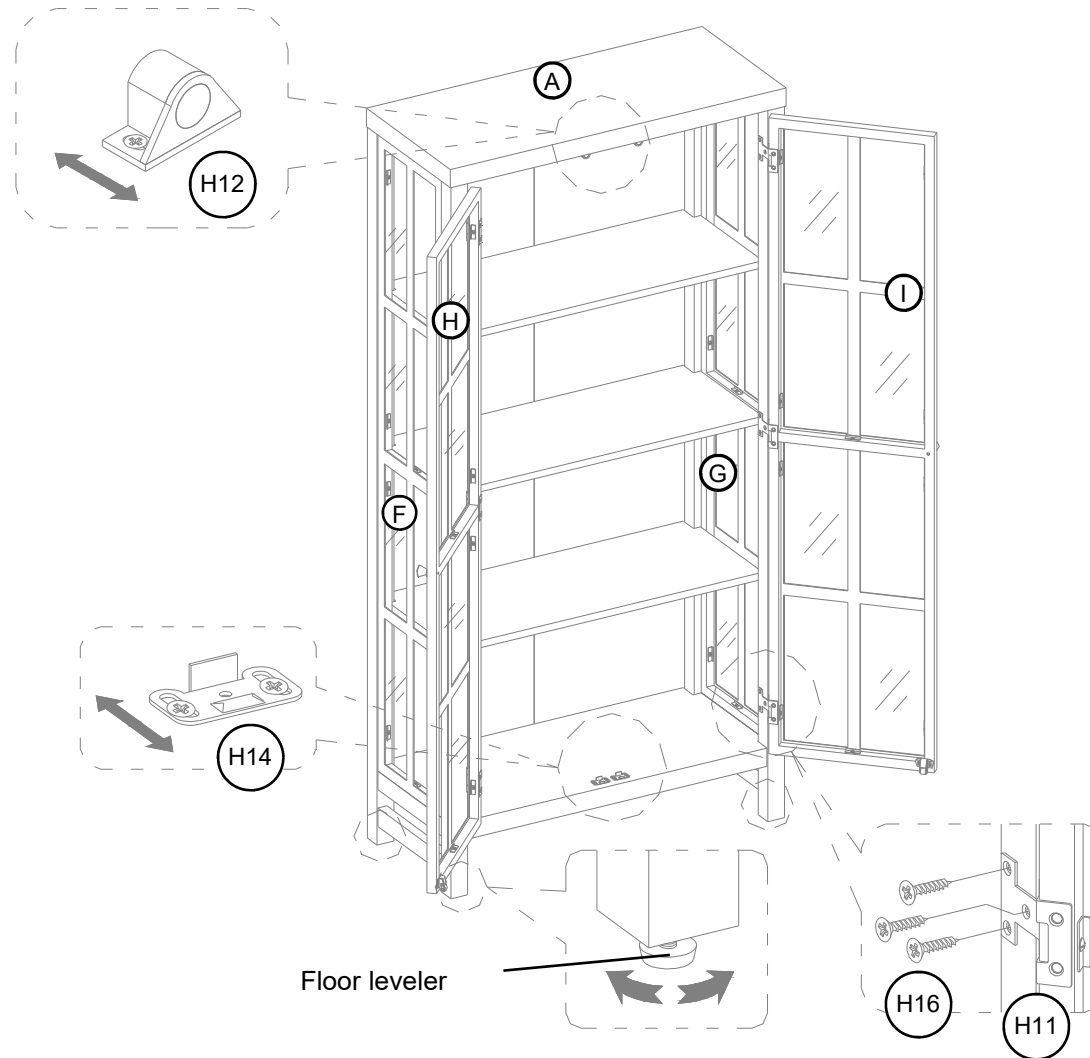


9.1. Ask for assistance to lift the assembled unit upright and position it near the final location.

9.2. Using the pilots holes as a guide, attach the left and right doors (H and I) to the side panels (F and G) respectively.

9.3. Fasten the knob (H10) to the front side of each doors (H and I).

step 10: Correct the doors alignment

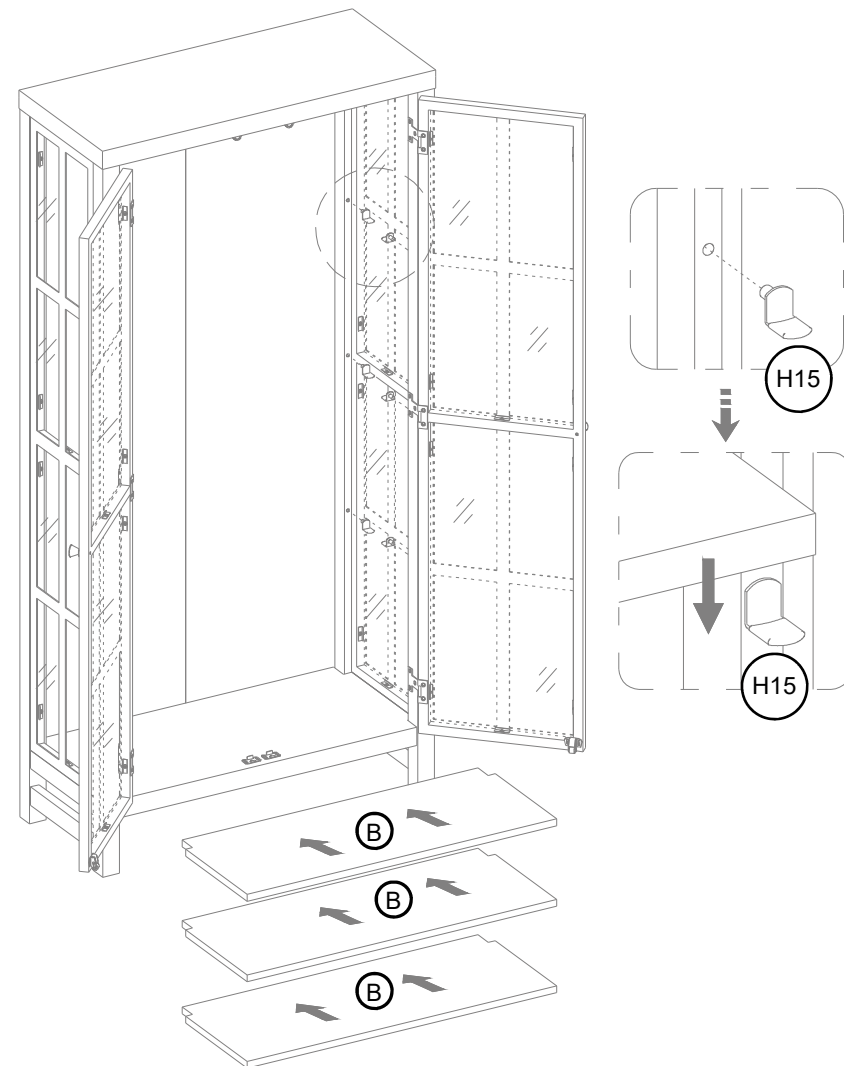
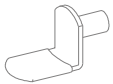


NOTE: Open and close the doors and adjust the gaps to make sure they are aligned and shut correctly.
If you find that the doors do not close properly or do not align correctly, please follow these steps:

- 10.1. Adjust the floor levelers pre-attached underneath the side frames (F and G) to level the doors.
- 10.2. The magnetic catches (H12) and the roller catch metal plates (H14) can be adjusted to ensure that the doors function properly. This can be done by moving the catches forward and back.
- 10.3. Open the doors and loosen the installed screws (H16) on the door hinges (H11) and adjust properly for a good fit.
- 10.4. Once the doors function properly, go back and tighten all the screws.

step 11: Install the adjustable shelves

(H15) x 12
shelf support



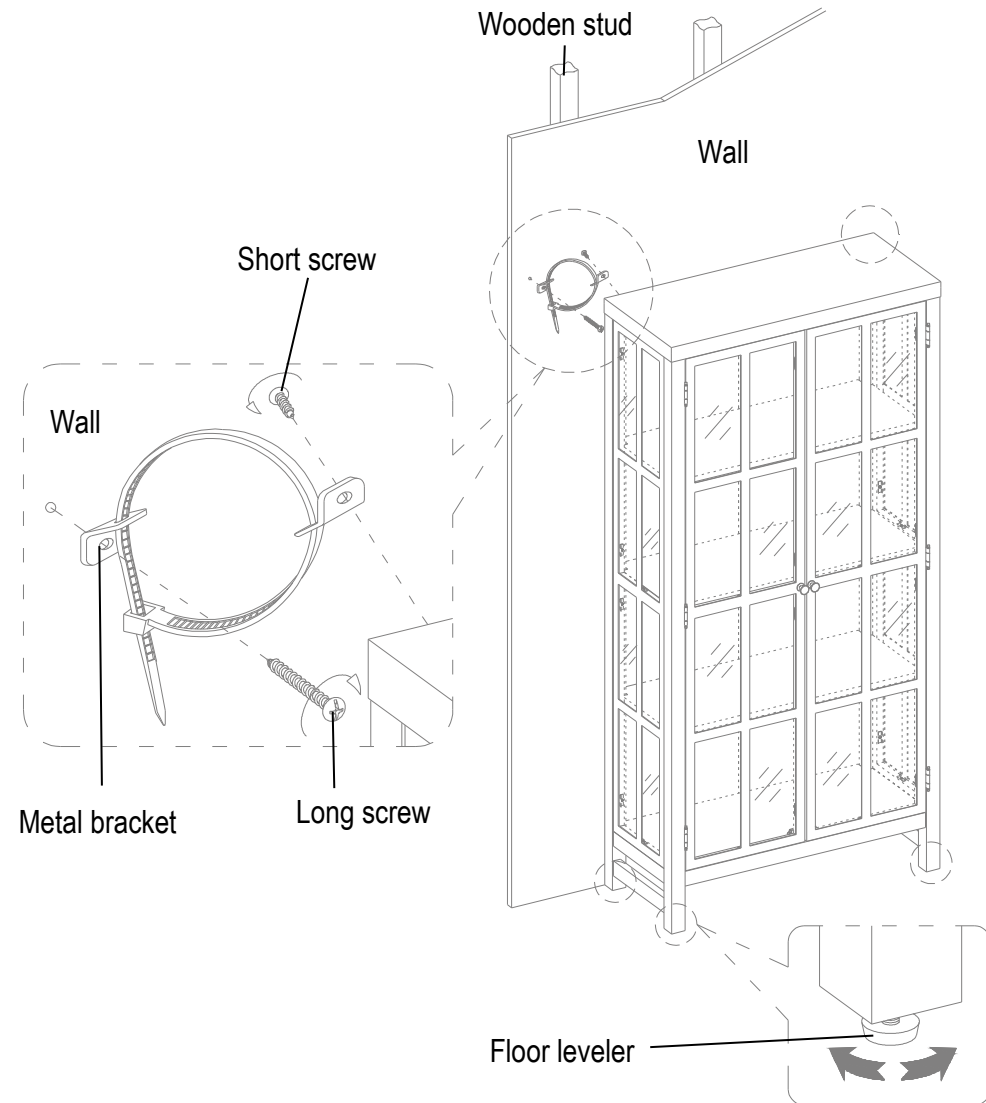
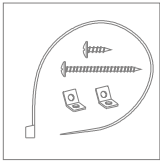
11.1. Insert 12 shelf supports (H15) into the assembly. Make sure you place the four shelf supports in the same level so the shelf is not tilted.

11.2. Tilt and rest the shelves (B) on the shelf supports (H15).

step 12: Attach tipping restraint hardware



(H20) x 2
tipping restraint hardware kit
(inside plastic bag)



Tools required: Phillips screwdriver, stud finder, tape measure, pencil, power drill and 1/8" drill bit.

12.1. Adjust the pre-attached floor levelers to level the unit against a wall.

12.2. Follow the instructions printed on plastic bag containing tipping restraint hardware to attach tip-over restraint between the unit and the wall.

NOTE: Share the back panel screw hole for the anti-tipping hardware. You must use this tipping restraint to attach this unit to the wall, to prevent accidents and / or injuries.

Care and Maintenance

- Use a soft, clean cloth that will not scratch the surface when dusting.
- Use of furniture polish is not necessary. Should you choose to use polish, test first in an inconspicuous area.
- Using solvents of any kind on your furniture may damage the finish.
- Never use water to clean your furniture as it may cause damage to the finish.
- Always use coasters under beverage glasses and flowerpots.
- Liquid spills should be removed immediately. Using a soft, clean cloth, blot the spill gently. Avoid rubbing.
- Always use protective pads under hot dishes and plates. Heat can cause chemical changes that may create spotting within the furniture finish.
- Stains or marks from crayons or ink markers will be difficult to remove.
- In the event that your furniture is stained or otherwise damaged during use, we recommend that you call a professional to repair your furniture.
- Check bolts/screws and nuts periodically and tighten them if necessary.

Further Advice about Wood Furniture Care

It is best to keep your furniture in a climate-controlled environment. Extreme temperature and humidity changes can cause fading, warping, shrinking and splitting of wood. It is advised to keep furniture away from direct sunlight as sun may damage the finish.

Proper care and cleaning at home will extend the life of your purchase. Following these important and helpful tips will enhance your furniture as it ages.

We hope you enjoy your purchase for many years.
Thank you for your purchase!

QUALITY GUARANTEE

We are confident that you will be delighted with your Whalen Furniture purchase.

Should this product be defective in workmanship or materials or fail under normal use, we will repair or replace it for up to one (1) year from date of purchase. Every Whalen Furniture product is designed to meet your highest expectations. We guarantee that you will immediately see the value of our fine furniture.

This warranty gives you specific al rights and you may also have other rights which vary from state to state or province to province.

Customer Service: 1-855-MYTGTHOME (855-698-4846)
8:30 a.m. - 4:30 p.m., PST, Monday to Friday
www.whalenfurniture.com

The shelves, top and bottom panels maximum recommended weight allowance is 22.7 kg / 50 lb.

 **WARNING**

Please use your furniture correctly and safely. Improper use can cause safety hazards, or damage to your furniture or household items. Carefully read the following safety information.

Death or serious injury may occur when children climb on audio and/or video equipment furniture. A remote control or toys placed on the furnishing may encourage a child to climb on the furnishing and as a result may tip over onto the child.

NEVER allow children to climb or play with the TV or furnishing supporting the TV.

NEVER place toys, food, remote, etc. on top of the TV or TV furnishing.

ALWAYS use either the safety hardware as instructed or other wall anchoring device.

Relocating audio and/or video equipment to furniture not specifically designed to support audio and/or video equipment may result in death or serious injury due to furniture collapse or over turning onto a child.

NEVER place a TV on furniture that is not intended to support a TV.

NEVER exceed the maximum size and weight of the TV shown in the instructions.

Be sure to refer to the TV warning label as shown in the instructions.

Overloading drawers and shelves may result in furniture that can break or sag, or tip-over which may result in injury.

NEVER exceed the weight limits shown in the instructions.

Place the heavier items on lower shelves as far back from the front as possible.

Load the bottom surfaces first to avoid top-heavy furniture.

Moving furniture that is not designed to be moved or equipped with casters may result in injury or damage to furnishings or personal property.

ALWAYS unload shelves and drawers, starting with the top surfaces, before moving.

NEVER push or pull furniture on carpet. Have a friend help lift properly to move and/or reposition it.