



THRESHOLD™

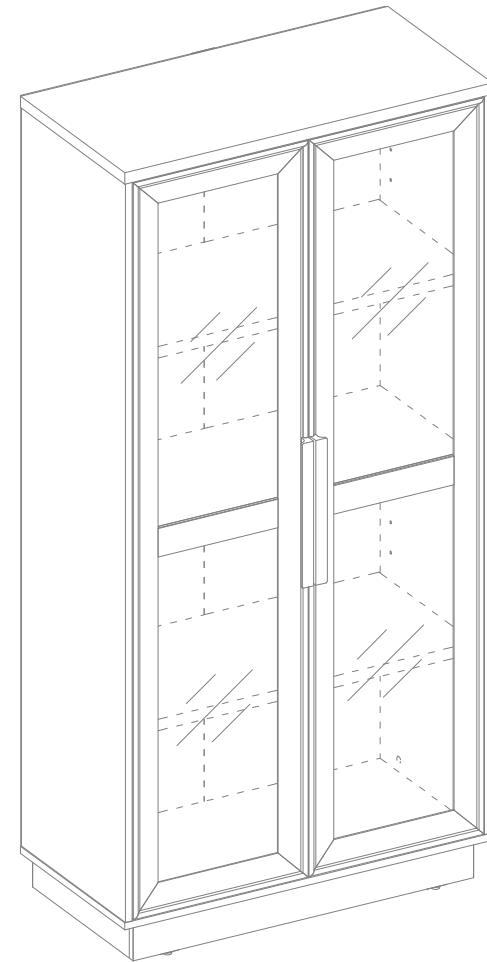
— *designed with* —

STUDIO MCGEE

## Kennington 2 Door Display Cabinet

Style # TGT66BK

DPC-item #: 249-17-3176



>> [Assembly instructions](#)



Congratulations on your latest Target purchase.

Now what? Don't start sweating over this box of parts. This will be easy. We did the hard work for you. All you need to do is follow our simple instructions and you'll be on your way to transforming your room in no time. Good luck – though we're confident you won't need it.

## before you begin

1. Check for damaged or missing parts. Call 1-855-MYTGTHOME (855-698-4846) to order missing supplies.
2. Use the carton as a work surface to prevent product damage during assembly.
3. Gather all tools prior to assembly.

**IMPORTANT / IMPORTANTE**



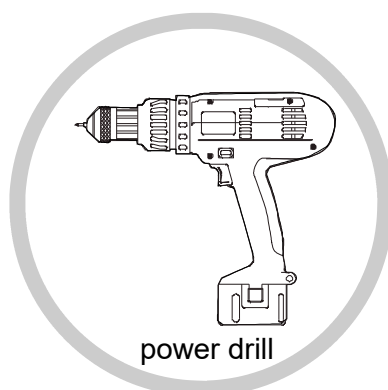
**BILT.**<sup>®</sup>

Scan for easy 3D instructions

Escanea para instrucciones fáciles en 3D

Download on the App Store | GET IT ON Google Play

## tools needed (not included)



For tipping restraint hardware kit only.

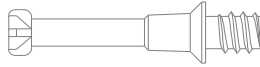
# hardware

---

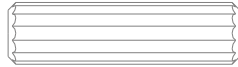
**(H1) x 20**  
cam lock



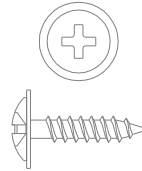
**(H2) x 20**  
cam bolt



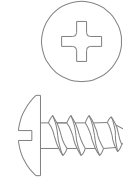
**(H3) x 16**  
M8 x 30 mm  
wood dowel



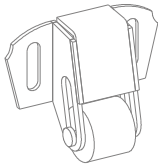
**(H4) x 26**  
M3.5 x 15 mm  
washer head screw



**(H5) x 16**  
M3.5 x 12 mm pan head screw



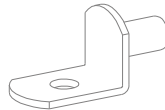
**(H6) x 2**  
roller catch



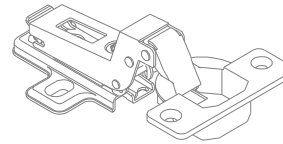
**(H7) x 2**  
roller catch metal plate



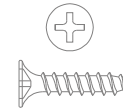
**(H8) x 8**  
shelf support



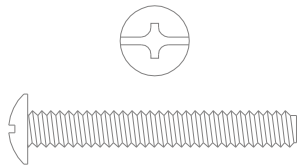
**(H9) x 6**  
hinge



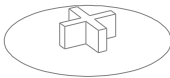
**(H10) x 24**  
M3.5 x 15 mm zinc screw



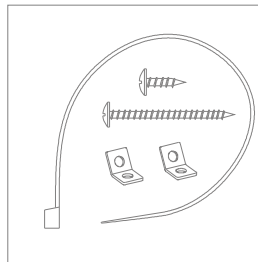
**(H11) x 4**  
3/16" x 35 mm  
handle bolt



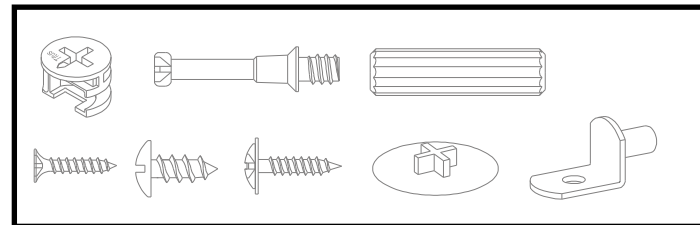
**(H12) x 8**  
cam lock cover



**(H13) x 2**  
tipping restraint hardware kit  
(inside plastic bag)

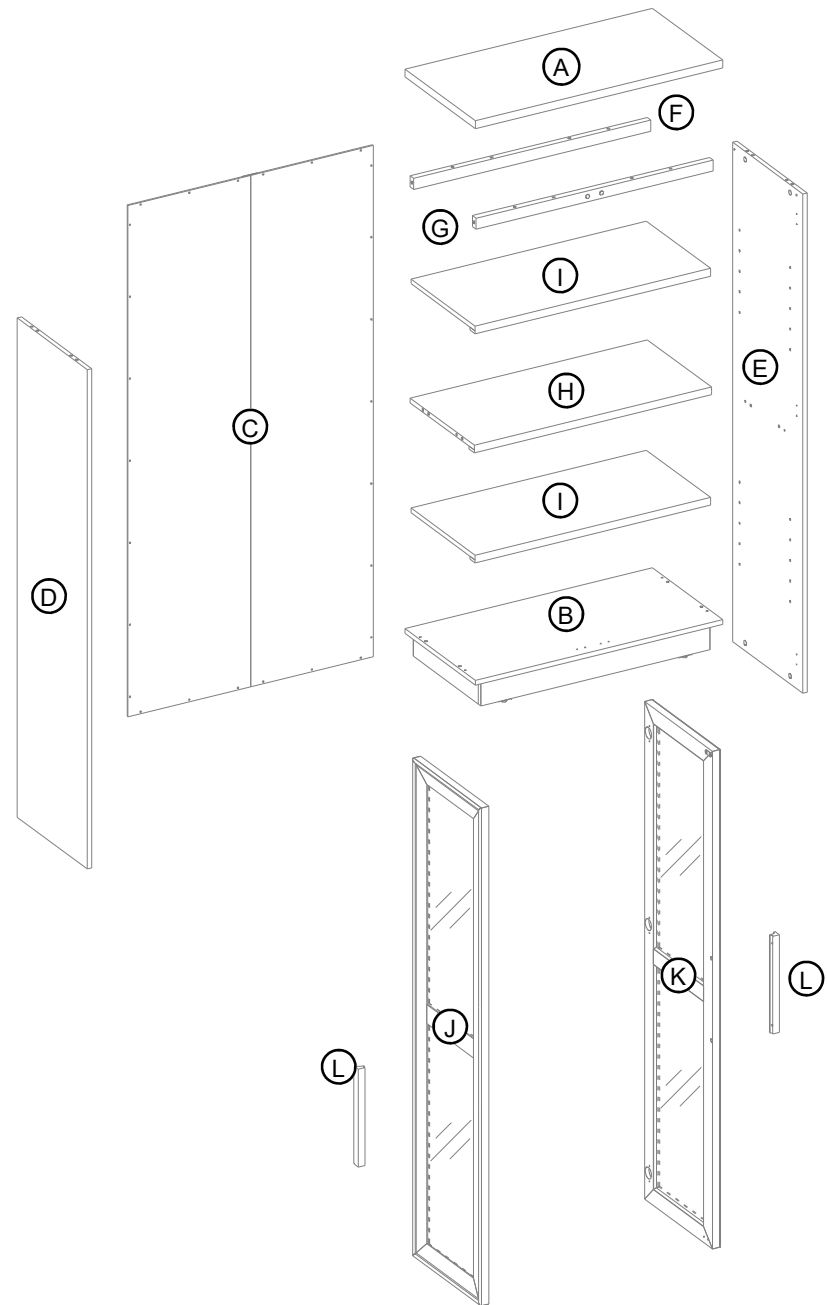


**Spare hardware**



## exploded diagram

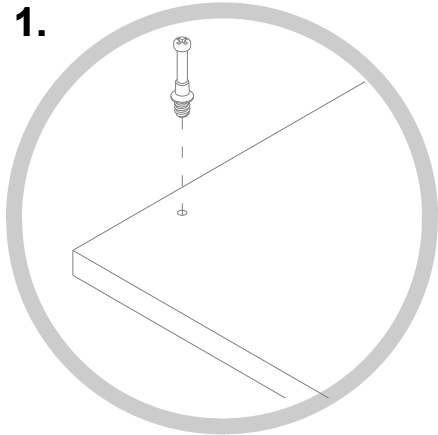
ITEM	DESCRIPTION	QTY
A	Top panel	1
B	Base	1
C	Back panel	1
D	Left side panel	1
E	Right side panel	1
F	Top rear stretcher	1
G	Top front stretcher	1
H	Fixed shelf	1
I	Adjustable shelf	2
J	Left door	1
K	Right door	1
L	Handle	2



# how to use the cam lock system

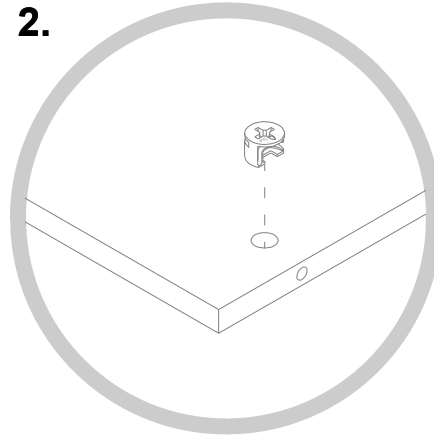
---

1.



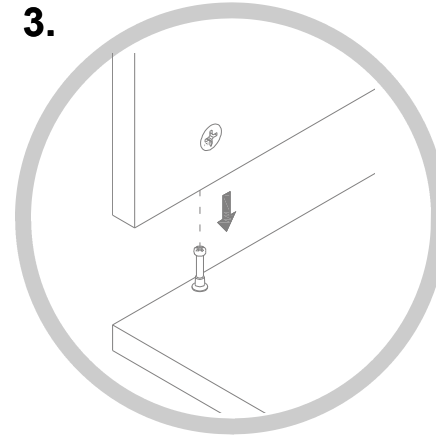
Screw cam bolt into panel

2.



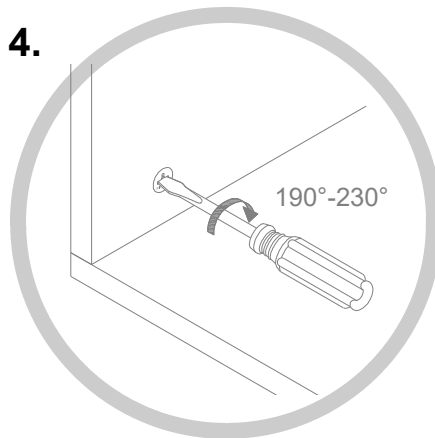
Push cam into panel - arrow feature on cam top points to panel edge

3.



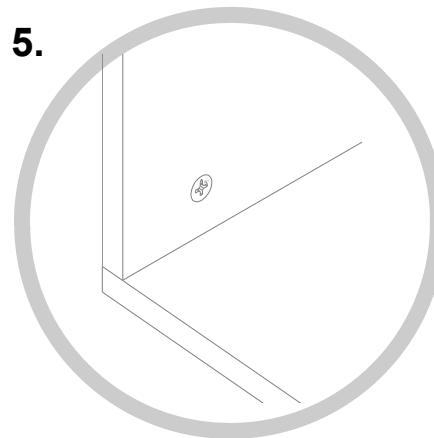
Align cam bolt(s) with cam(s) and insert all the way into cross-bored hole(s)

4.



Rotate cam(s) clockwise 190°-230° to lock panels together

5.



Panels should be tight against each other and connection should be rigid

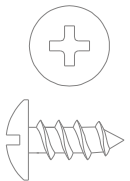
## step 1: attach the roller catch plates

---

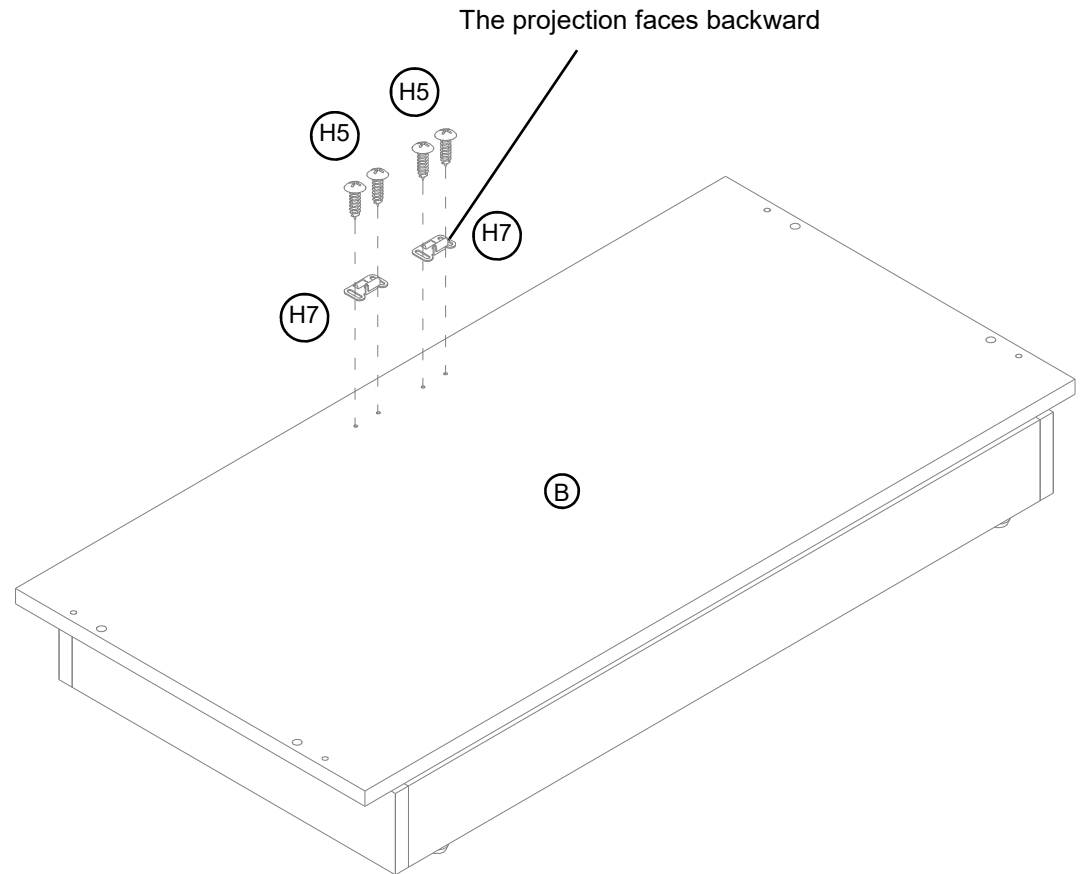
**NOTE:** DO NOT use power tools.

---

**(H5) x 4**  
M3.5 x 12 mm  
pan head screw



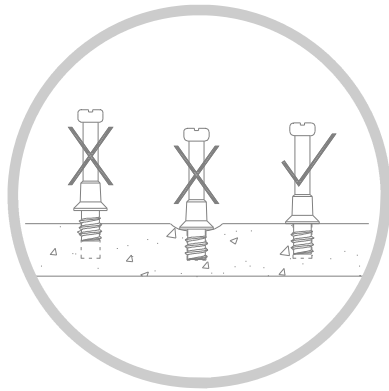
**(H7) x 2**  
roller catch metal plate



1.1. Use the pilot holes as a guide, fasten two roller catch metal plates (H7) to the base (B) with two 12 mm screws (H5) per plate. Make sure that the projection on each roller catch strike plate points towards the back of the unit.

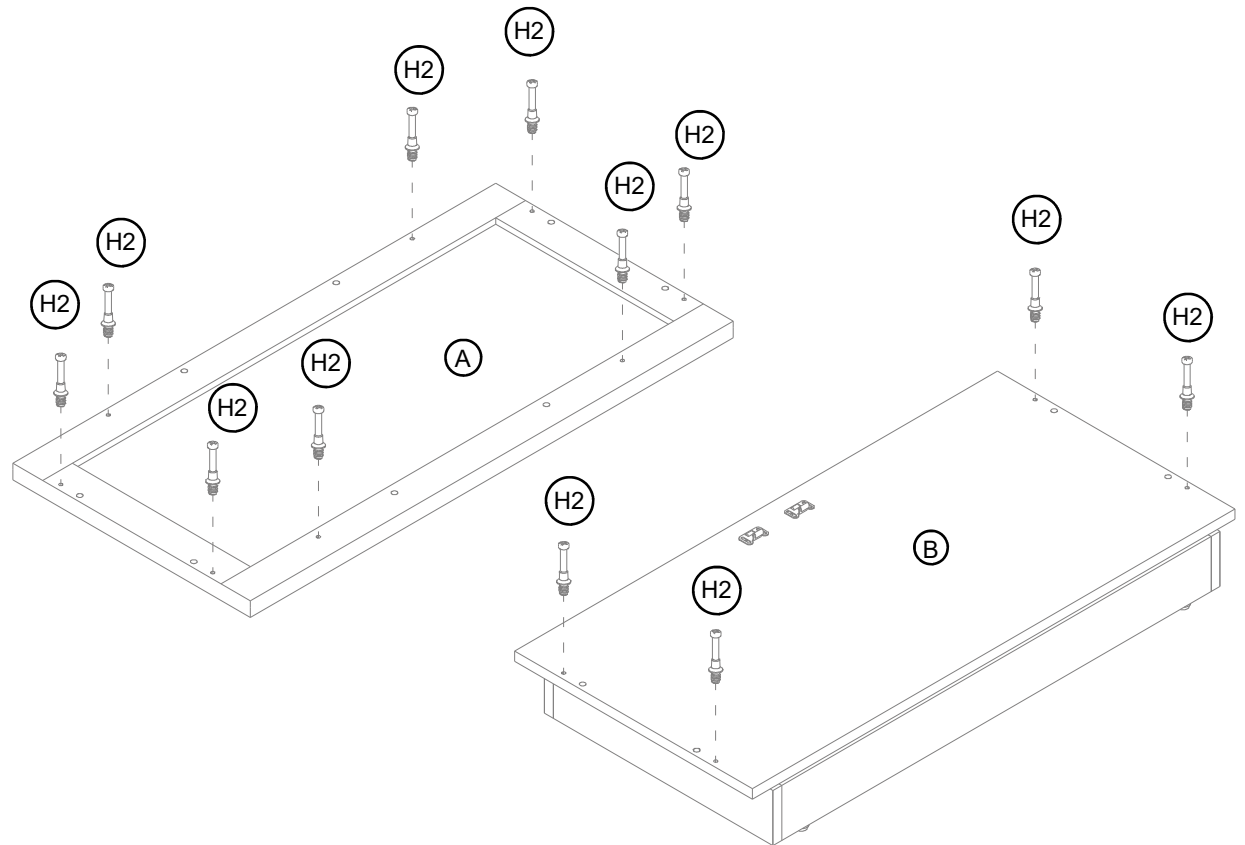
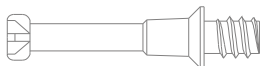
## step 2: prepare the top panel and base assembly

---



---

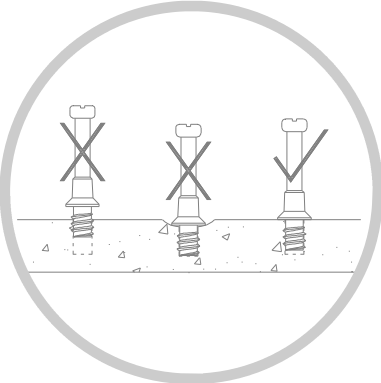
**(H2) x 12**  
cam bolt



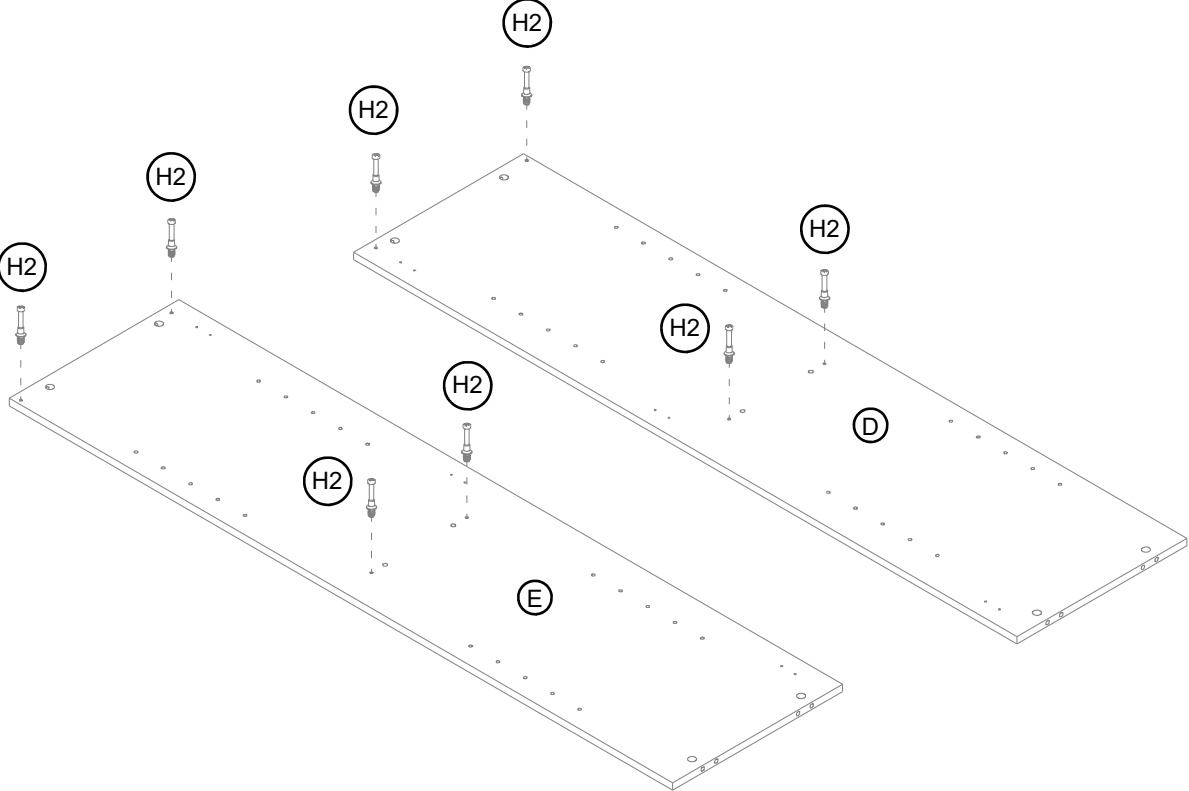
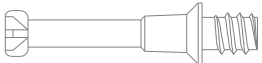
2.1. Securely screw the cam bolts (H2) into the designated small holes on the top panel (A) and the base (B).

# step 3: prepare the side panels assembly

---



(H2) x 8  
cam bolt

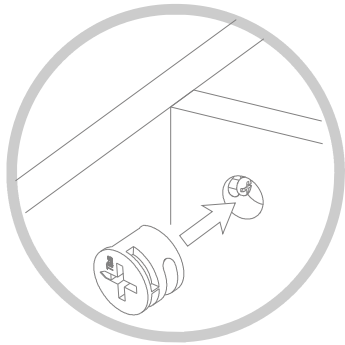


3.1. Securely screw the cam bolts (H2) into the designated small holes on the side panels (D and E).

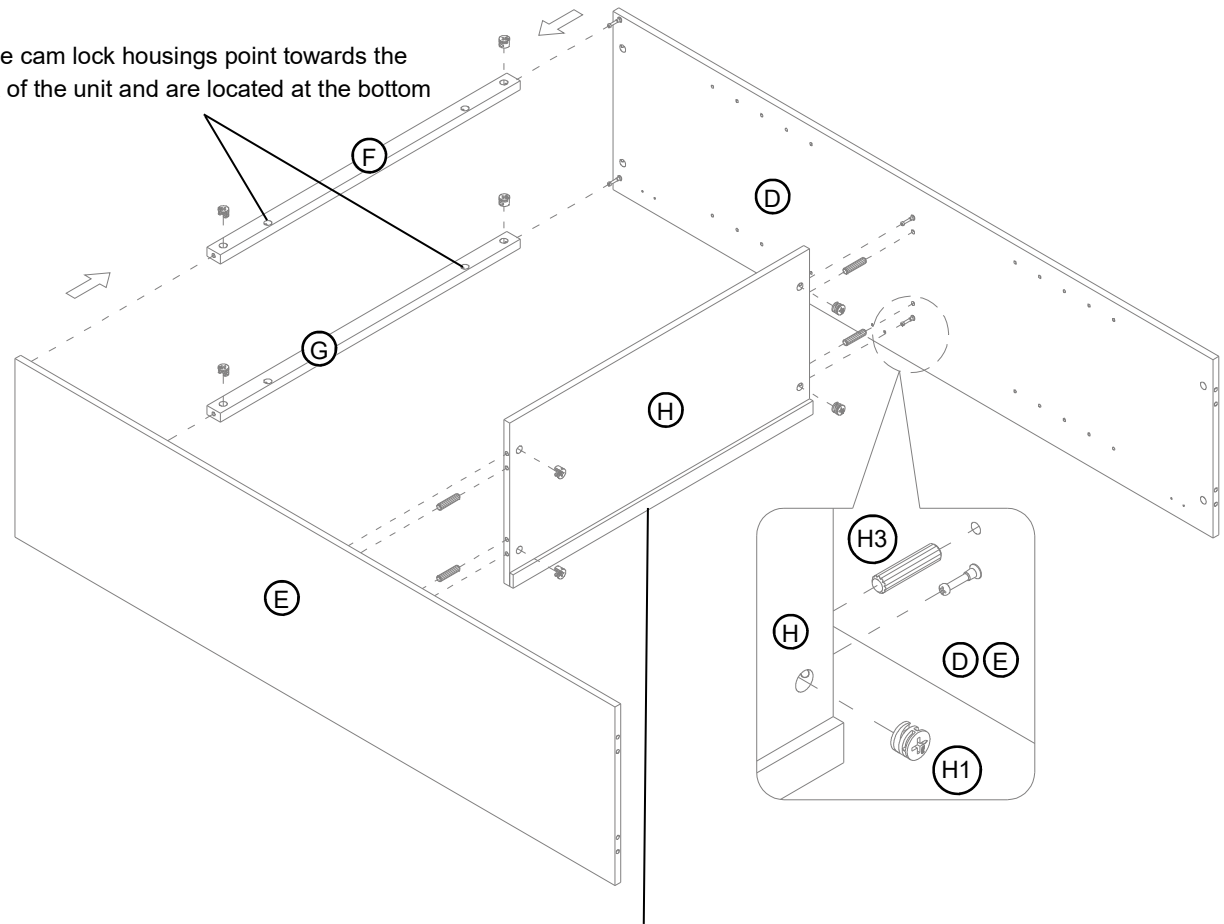


## step 4: attach the stretchers and fixed shelf

---



The cam lock housings point towards the back of the unit and are located at the bottom



(H1) x 8  
cam lock

(H3) x 4  
M8 x 30 mm  
wood dowel

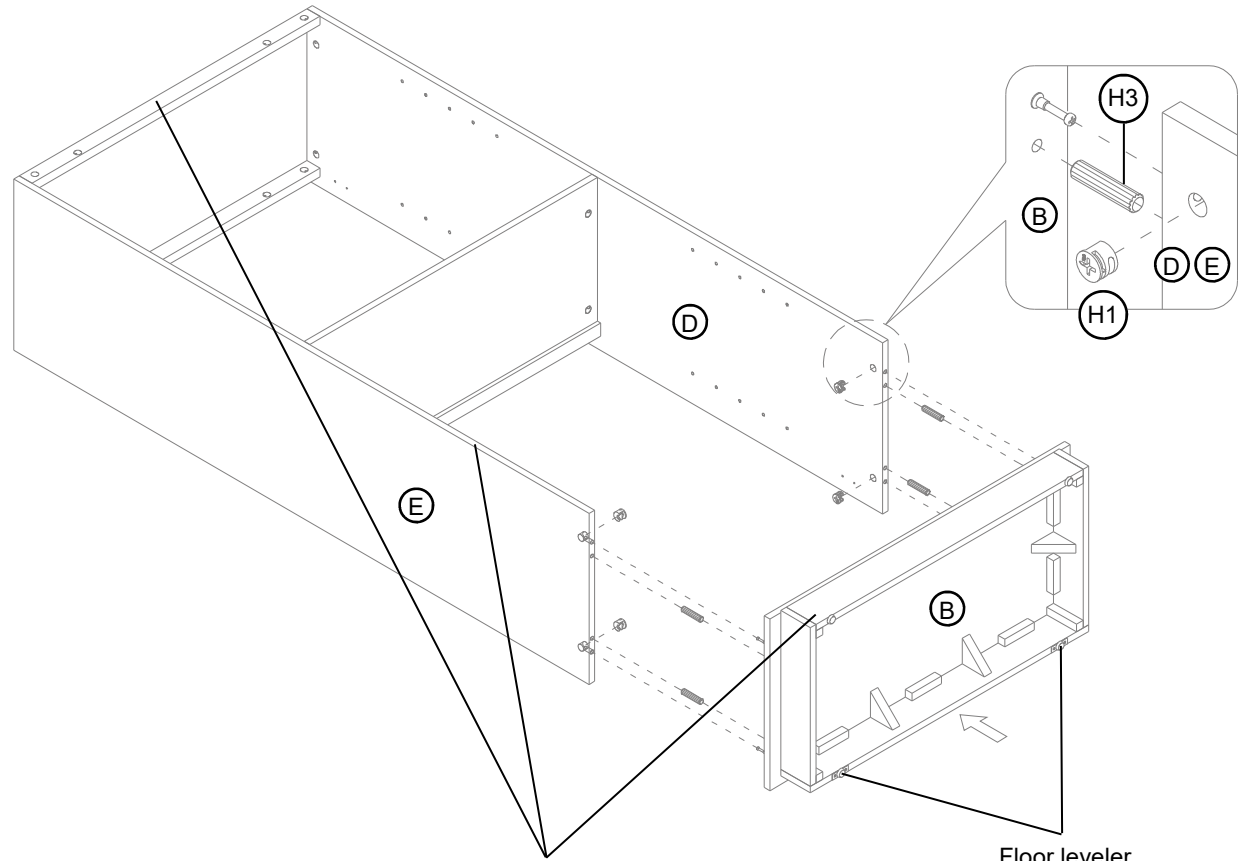
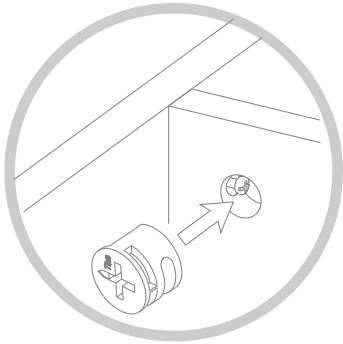


The shelf molding faces the base and is located at front of the unit

- 4.1. Insert four 30 mm wood dowels (H3) into the inner holes of the fixed shelf (H) at both ends.
- 4.2. Align and attach the fixed shelf (H) to the left side panel (D) by engaging two cam locks (H1).
- 4.3. Orient and attach the top stretchers (F and G) to the left side panel (D) with two cam locks (H1).
- 4.4. Repeat the same process to attach the right side panel (E) at the opposite end,

## step 5: attach the base to the side panels

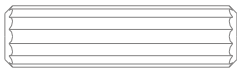
---



---

**(H1) x 4**  
cam lock

**(H3) x 4**  
M8 x 30 mm  
wood dowel



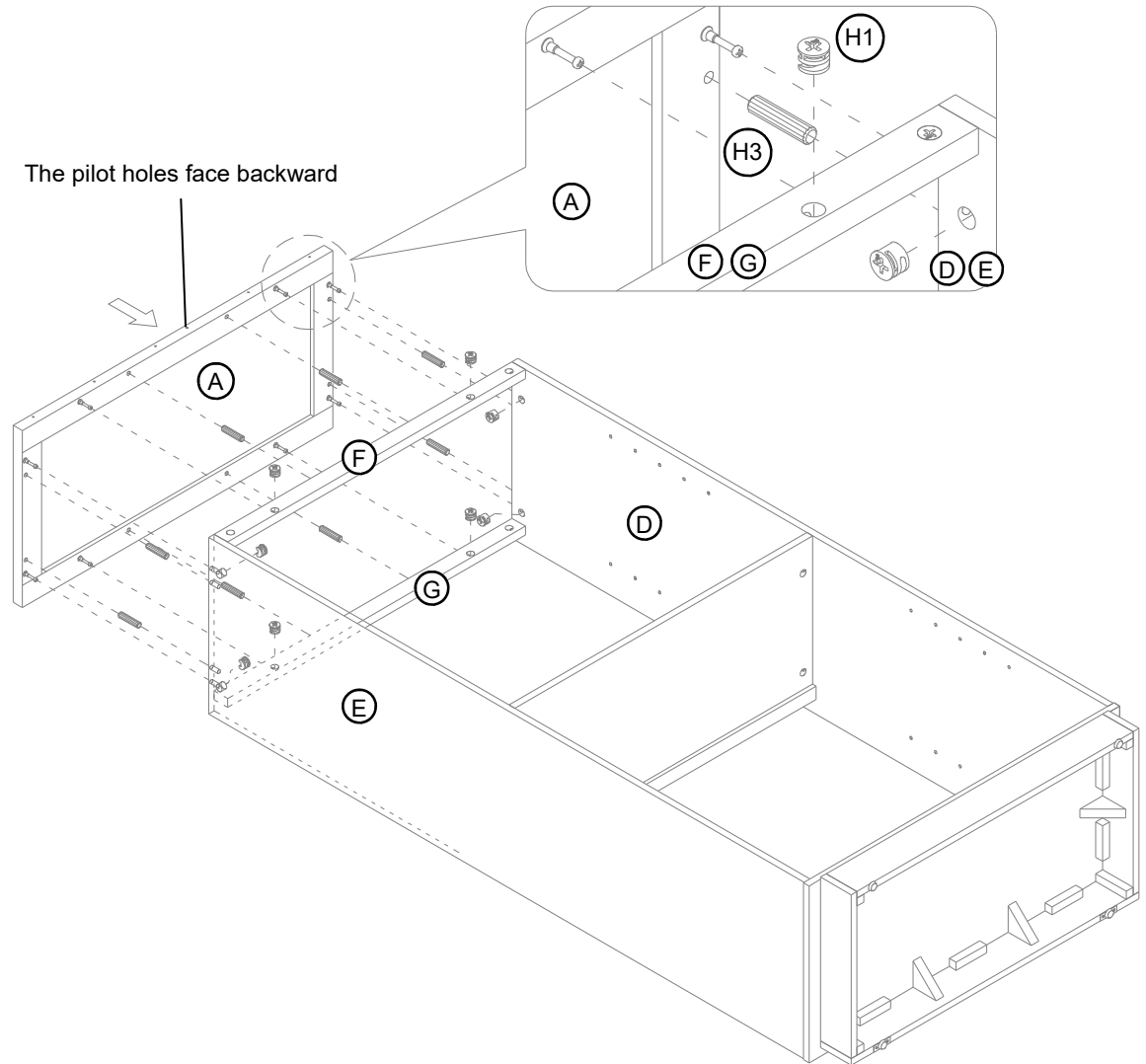
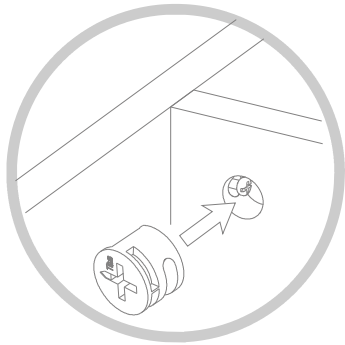
The back edges are flush with each other

Floor leveler

- 5.1. Insert four 30 mm wood dowels (H3) into the bottom inner holes of the side panels (D and E).
- 5.2. Orient and attach the base (B) to the side panels (D and E) using four cam locks (H1).

## step 6: attach the top panel to the previous assembly

---



(H1) x 8  
cam lock

(H3) x 8  
M8 x 30 mm  
wood dowel



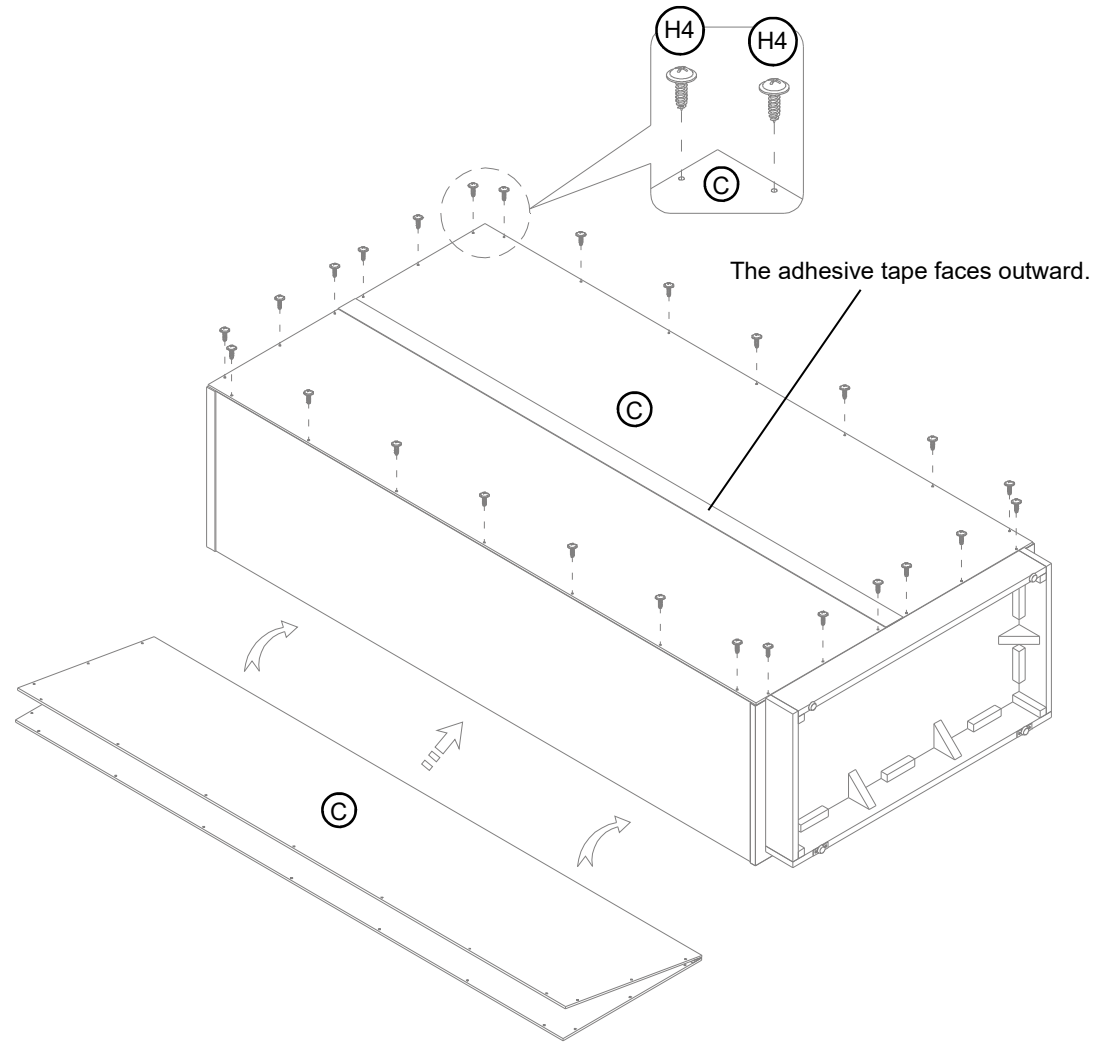
- 6.1. Insert eight 30 mm wood dowels (H3) into the top inner holes of both side panels (D and E) and top stretchers (F and G).
- 6.2. Align the large holes on the top panel (A) with the inserted wood dowels and press them together.
- 6.3. Attach the top panel (A) into place by engaging eight cam locks (H1).

## step 7: attach the back panel

---

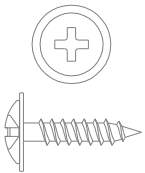


**CAUTION:** Heavy! You may need assistance with this step.



---

**(H4) x 26**  
M3.5 x 15 mm  
washer head screw



7.1. Now, go back and tighten all cam locks and screws. Make sure that the previous all the parts are tight and there are no gaps between the parts. This will help keep the unit square.

7.2. Unfold the back panel (C) and align the predrilled holes with the pilot holes on the back of top panel (A). Attach the back panel (C) into place with the 15 mm washer head screws (H4) provided.

**NOTE:** We recommend attaching back panel with the screws at corners first.

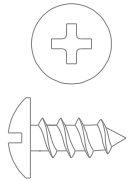
## step 8: install the roller catches

---

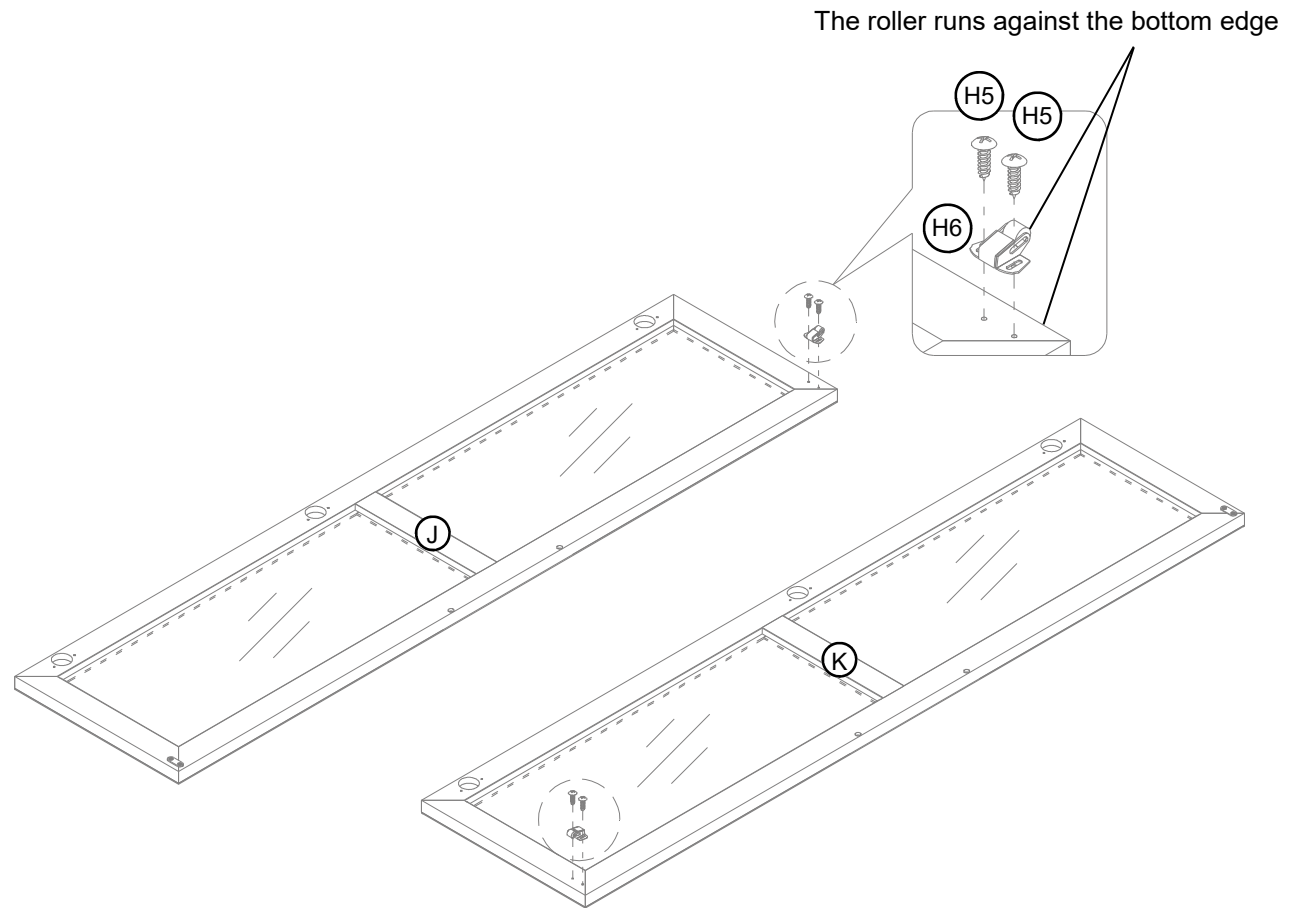
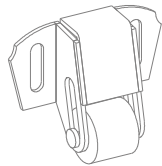
**NOTE:** DO NOT use power tools.

---

**(H5) x 4**  
M3.5 x 12 mm  
pan head screw



**(H6) x 2**  
roller catch



8.1. Using the pilot holes as a guide, orient and attach one roller catch (H6) to each door (J and K) with two 12 mm screws (H5).

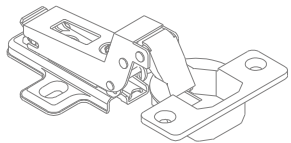
## step 9: install the door hinges

---

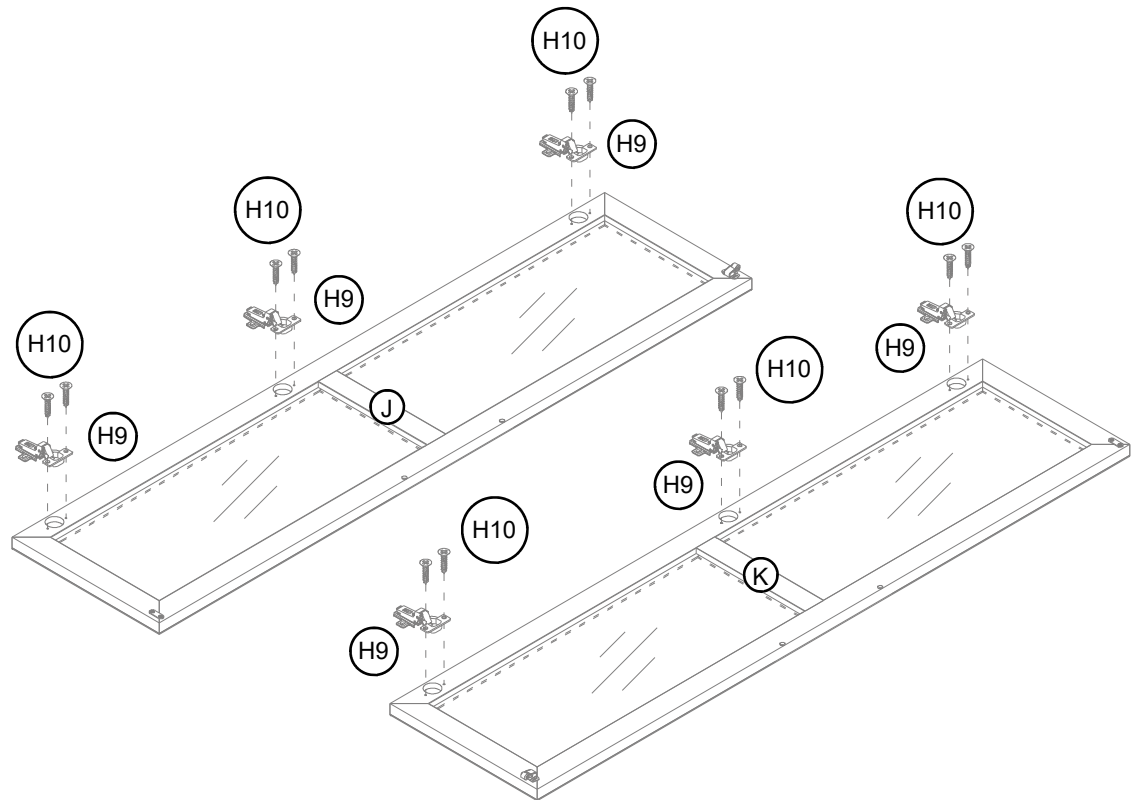
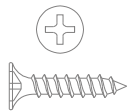
**NOTE:** DO NOT use power tools.

---

(H9) x 6  
hinge



(H10) x 12  
M3.5 x 15 mm zinc screw



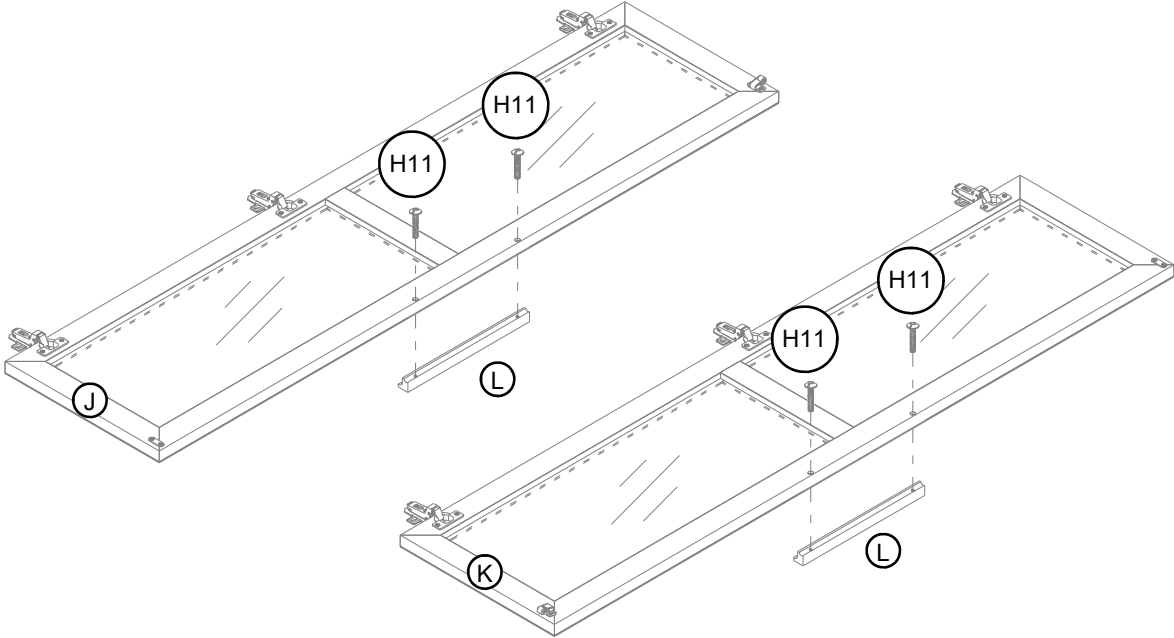
9.1. Extend three hinges (H9) and rest the hinge cups onto the cutouts of each door (J and K).

9.2. With the pilot holes as a guide, fasten the door hinges (H9) into place by using two 15 mm zinc screws (H10) in each hinge.

# step 10: install the door handles

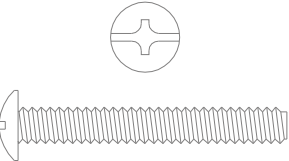
---

**NOTE:** DO NOT use power tools.



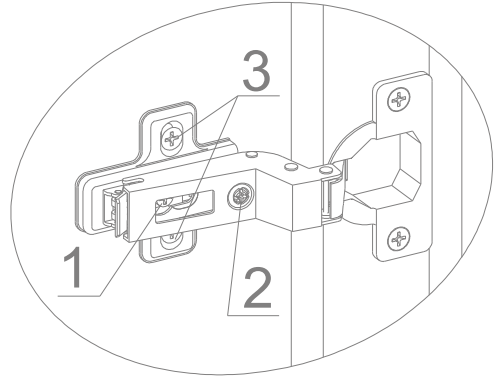
---

**(H11) x 4**  
3/16" x 35 mm handle bolt



10.1. Attach one handle (L) to the front of each door (J and K) with two 35 mm handle bolts (H11).

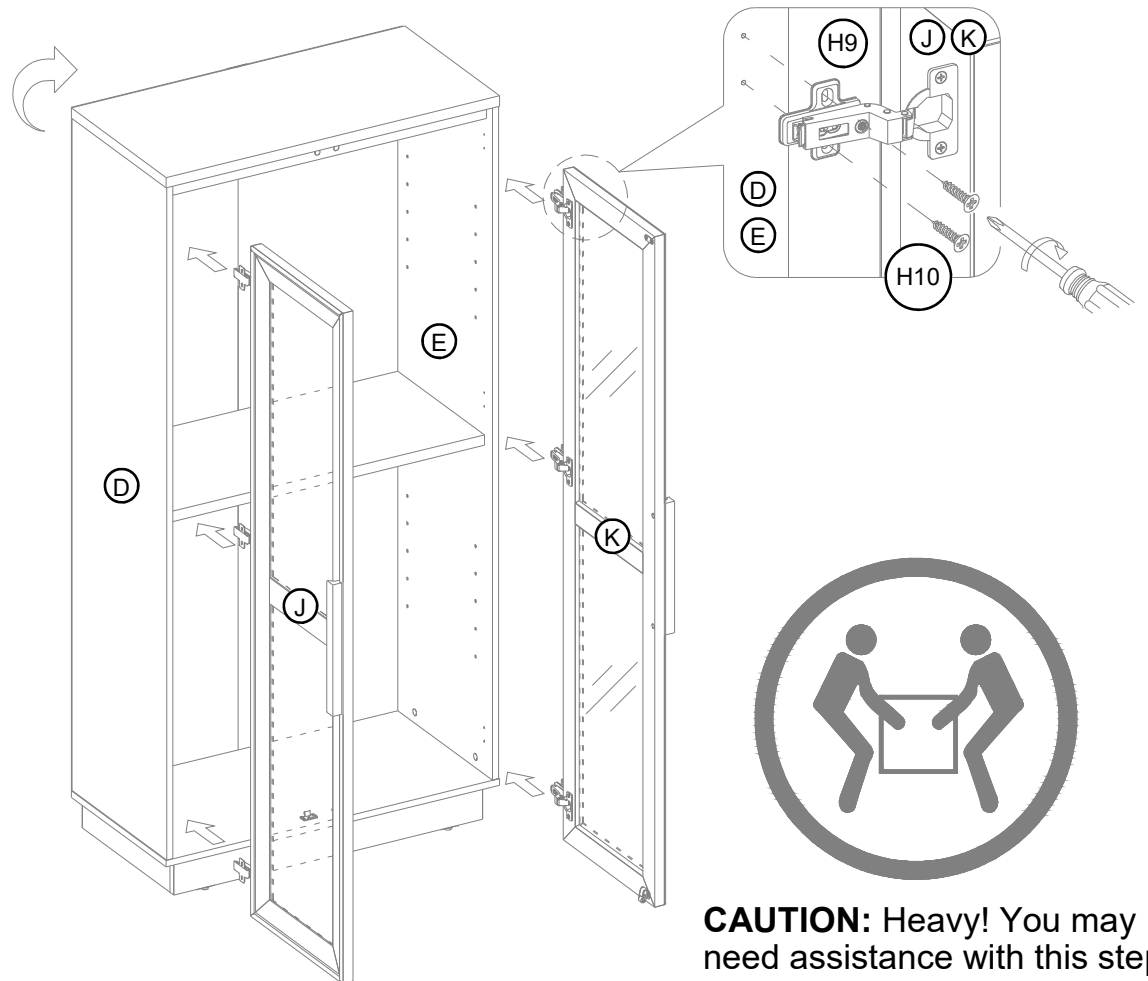
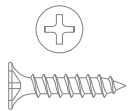
## step 11: attach the doors



If you find that the doors need to be adjusted slightly, turn the appropriate screw, as illustrated upper.

1. TO ADJUST THE DOOR FORWARD OR BACKWARD.
2. TO ADJUST THE DOOR TO RIGHT OR TO LEFT.
3. TO ADJUST THE DOOR UP OR DOWN

**(H10) x 12**  
M3.5 x 15 mm zinc screw

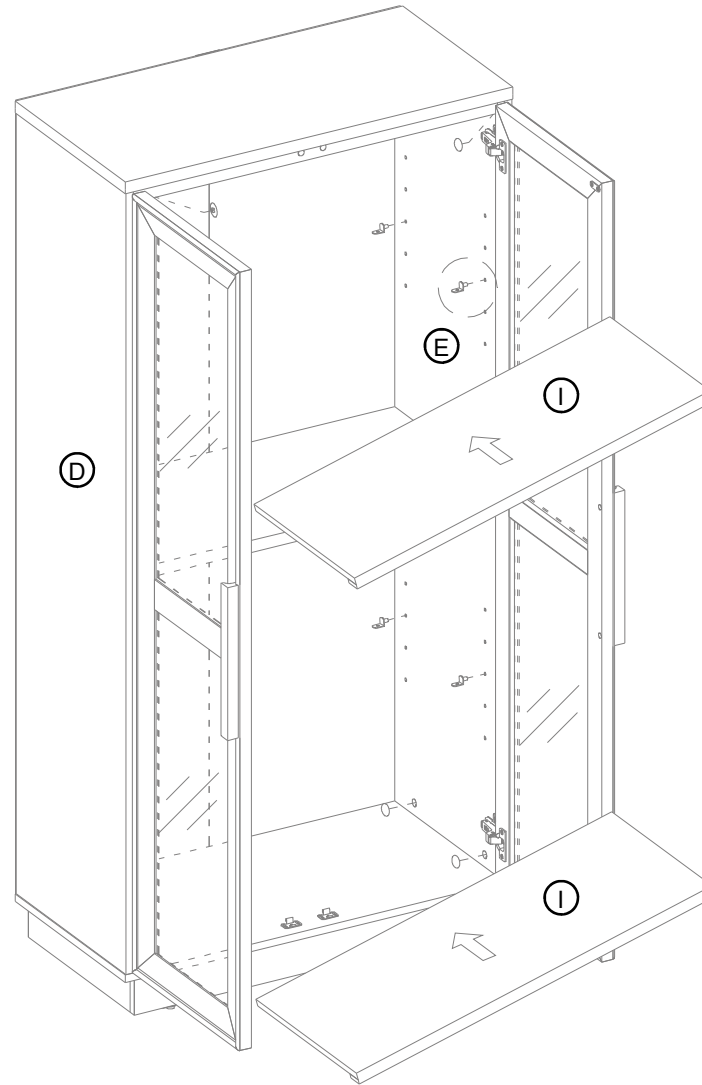


- 11.1. Ask for assistance to lift the assembled unit upright and position it near the final location.
- 11.2. Pick up the left door (J) and attach the extended hinge bases to the left side panel (D) with six 15 mm zinc screws (H10), using the pilot holes as a guide. Make sure that both door hinges engage and function properly.
- 11.3. Repeat the same process to attach the right door (K) into place.
- 11.4. Open and close the doors to make sure they are aligned and shut correctly. If necessary, adjust the screws for a good fit. Refer to the hinge sticker on door for adjustment.

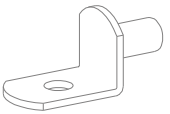


## step 12: attach the adjustable shelves and put cam lock covers

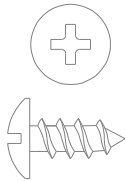
---



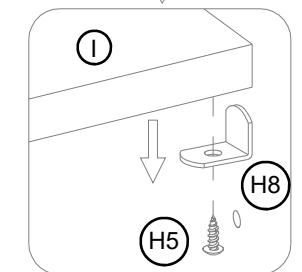
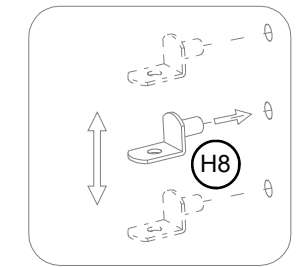
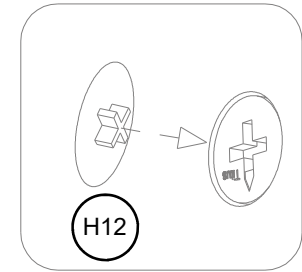
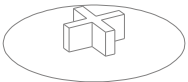
**(H8) x 8**  
shelf support



**(H5) x 8**  
M3.5 x 12 mm pan head screw



**(H12) x 8**  
cam lock cover



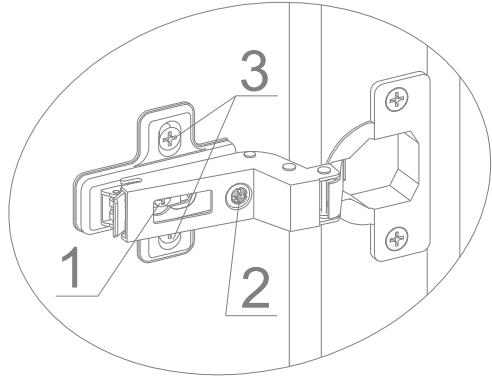
12.1. Open the doors and insert eight shelf supports (H8) in the holes on the side panels (D and E) at the desired height. Be sure to place the four shelf supports at the same level to level the shelf.

12.2. Tilt and rest the adjustable shelves (I) onto the shelf supports. Secure the shelves into place with the 12 mm screws (H5) for extra support.

12.3. Plug the cam lock covers (H12) onto the visible cam locks to conceal the cams.

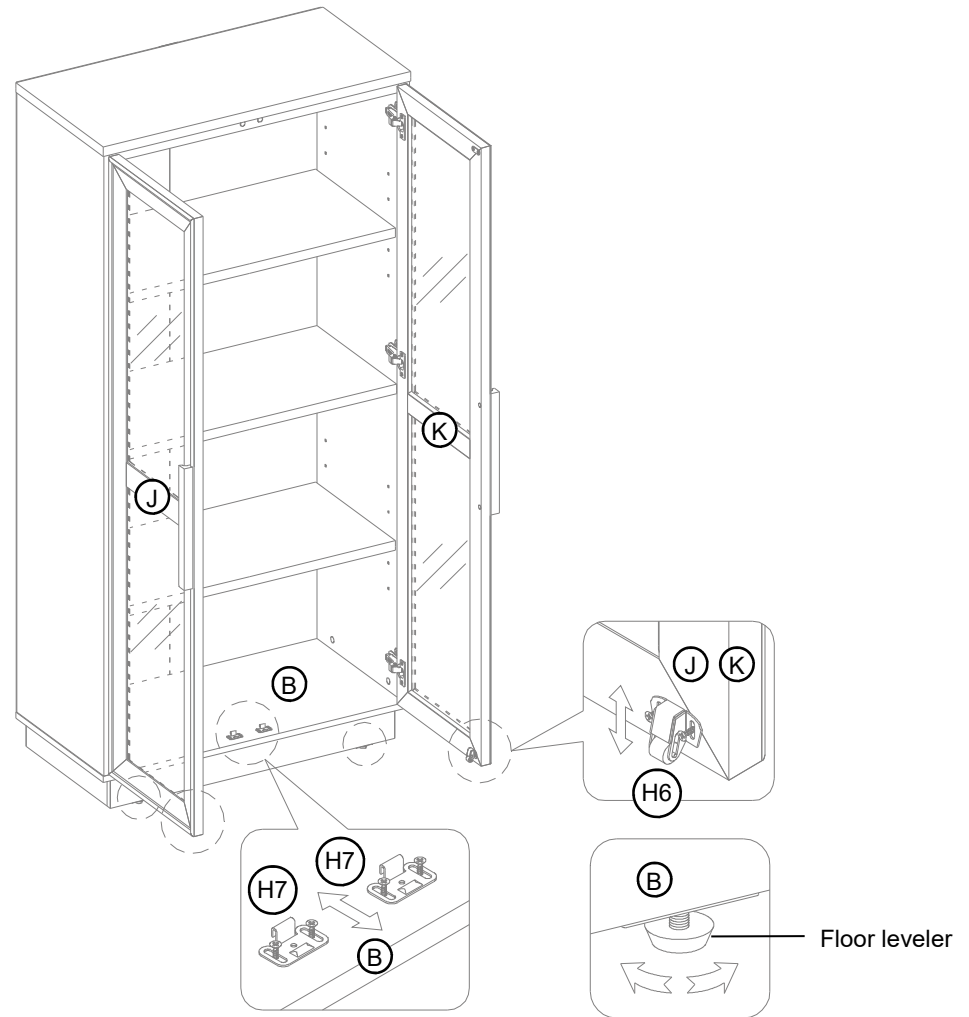
## step 13: correct the doors alignment

---



If you find that the doors need to be adjusted slightly, turn the appropriate screw, as illustrated upper.

1. TO ADJUST THE DOOR FORWARD OR BACKWARD.
  2. TO ADJUST THE DOOR TO RIGHT OR TO LEFT.
  3. TO ADJUST THE DOOR UP OR DOWN
- 



**NOTE:** The roller catch (H6) and roller catch metal plate (H7) have elongated mounting holes that allow for adjustment. Open and close the doors and adjust the gaps to make sure they are aligned correctly and the roller snaps onto the front projection of the metal plate (H7) properly. If you find that the doors do not close properly or do not align correctly, please follow these steps:

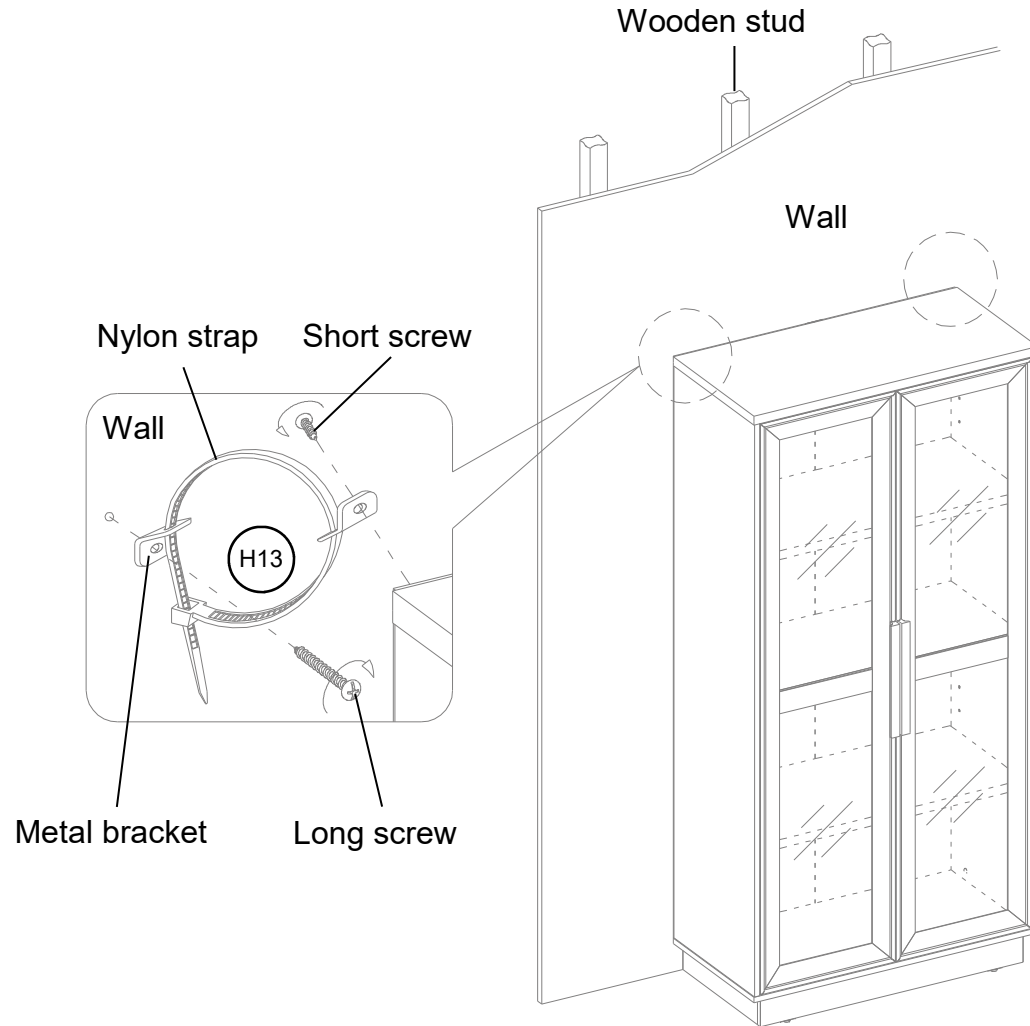
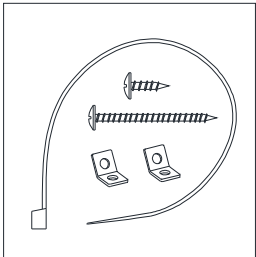
- 13.1. Adjust the European hinges and floor levelers pre-attached underneath the base (B) to correct tilting and level the doors.
- 13.2. The roller catch metal plates (H7) can be adjusted to ensure that the doors function properly. This can be done by moving the metal plates forward and back.
- 13.3. Open the doors and loosen the installed screws on the roller catches (H6) and adjust properly for a good fit.
- 13.4. Once the doors function properly, go back and tighten all the screws.

## step 14: install the tipping restraint hardware kit

---



**(H13) x 2**  
tipping restraint hardware kit  
(inside plastic bag)



Tools required: Phillips screwdriver, stud finder, tape measure, pencil, power drill and 1/8" drill bit (not provided).

14.1. Follow the instructions printed on plastic bag containing tipping restraint hardware to attach tip-over restraint between the unit and wall.

**NOTE:** You can share the back panel screw hole for the anti-tipping hardware. You must use this tipping restraint to attach this unit to the wall, to prevent accidents and/or injuries.

# FURNITURE TIPPING RESTRAINT

YOUNG CHILDREN MAY BE INJURED BY TIPPING FURNITURE AND YOU MUST USE THIS TIPPING RESTRAINT TO ATTACH THIS UNIT TO THE WALL, TO PREVENT ACCIDENTS AND/OR INJURIES.

THIS HARDWARE, MUST BE PROPERLY INSTALLED (FOLLOW ALL DIRECTIONS IN ORDER ON THIS INSTRUCTIONS), TO PROVIDE PROTECTION AGAINST THE UNEXPECTED TIPPING OF FURNITURE DUE TO IMPROPER USE.

THIS PRODUCT IS ONLY A DETERRENT. IT IS NOT A SUBSTITUTE FOR PROPER ADULT SUPERVISION. USE OF TIP-OVER RESTRAINTS MAY ONLY REDUCE, BUT NOT ELIMINATE, THE RISK OF TIP-OVER.

## **WARNING**

- Unit must be placed on a level surface or leveled with included hardware (when applicable).
- Do not sit or stand on or allow children to climb, sit or stand on the assembled product.
- For safety reasons, it is imperative that this unit be mounted to the wall.
- Do not use without installing the tip restraint.
- Unit can tip over causing severe injury or death.
- Do not exceed the recommended weight limits.
- Evenly distribute the weight on each level and always keep the heavier loads on the bottom.
- Before cutting, drilling or hammering into any wall or floor surface, verify the location of electrical, plumbing and gas lines. Cutting may cause serious injury.

## Care and Maintenance

- Use a soft, clean cloth that will not scratch the surface when dusting.
- Use of furniture polish is not necessary. Should you choose to use polish, test first in an inconspicuous area.
- Using solvents of any kind on your furniture may damage the finish.
- Never use water to clean your furniture as it may cause damage to the finish.
- Always use coasters under beverage glasses and flowerpots.
- Liquid spills should be removed immediately. Using a soft, clean cloth, blot the spill gently. Avoid rubbing.
- Always use protective pads under hot dishes and plates. Heat can cause chemical changes that may create spotting within the furniture finish.
- Stains or marks from crayons or ink markers will be difficult to remove.
- In the event that your furniture is stained or otherwise damaged during use, we recommend that you call a professional to repair your furniture.
- Check bolts/screws and nuts periodically and tighten them if necessary.

## Further Advice about Wood Furniture Care

It is best to keep your furniture in a climate-controlled environment. Extreme temperature and humidity changes can cause fading, warping, shrinking and splitting of wood. It is advised to keep furniture away from direct sunlight as sun may damage the finish.

Proper care and cleaning at home will extend the life of your purchase. Following these important and helpful tips will enhance your furniture as it ages.

We hope you enjoy your purchase for many years.  
Thank you for your purchase!

## QUALITY GUARANTEE

We are confident that you will be delighted with your Whalen Furniture purchase.

Should this product be defective in workmanship or materials or fail under normal use, we will repair or replace it for up to one (1) year from date of purchase. Every Whalen Furniture product is designed to meet your highest expectations. We guarantee that you will immediately see the value of our fine furniture.

This warranty gives you specific legal rights and you may also have other rights which vary from state to state or province to province.

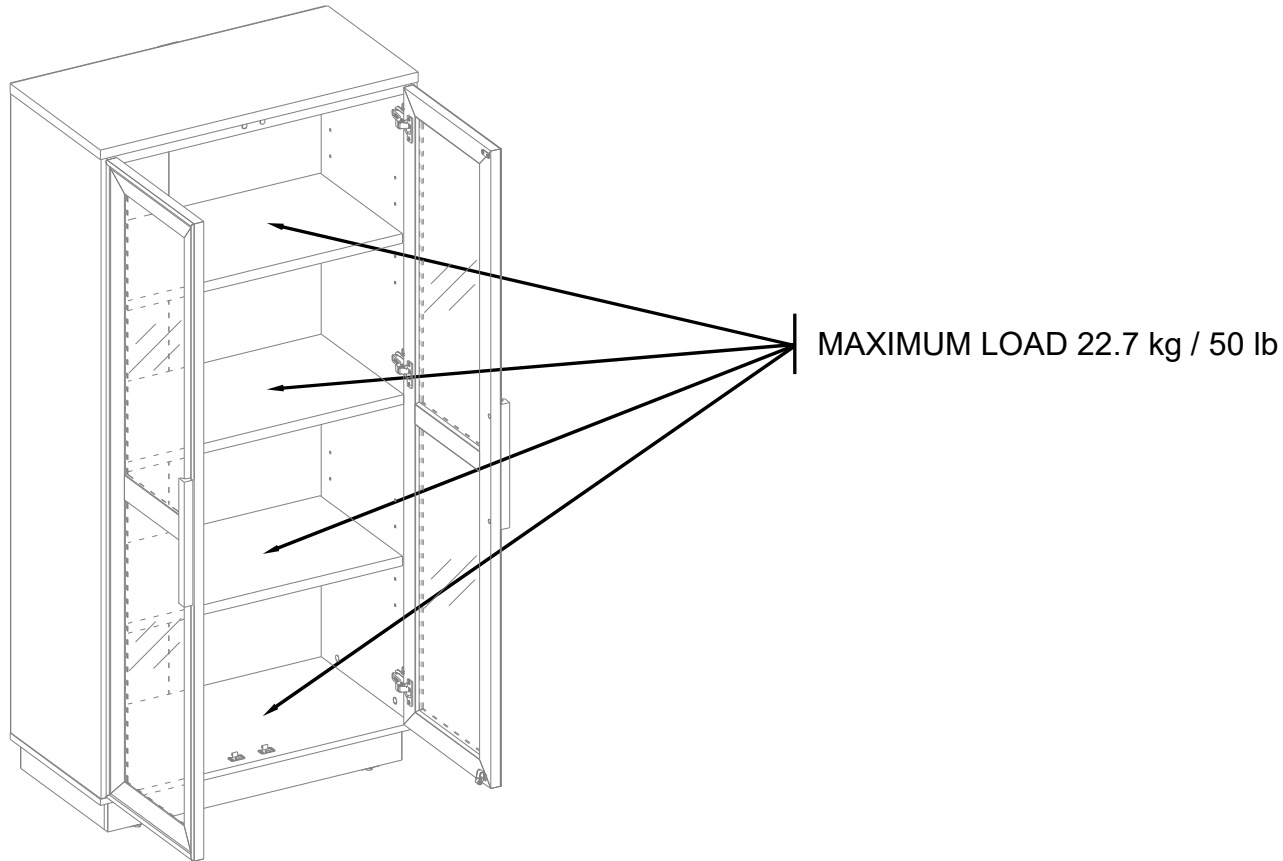
Customer Service: 1-855-MYTGTHOME (855-698-4846)  
8:30 a.m. - 4:30 p.m., PST, Monday to Friday  
[www.whalenfurniture.com](http://www.whalenfurniture.com)

## MAXIMUM RECOMMENDED WEIGHT LOADS

MANUFACTURER: Whalen Furniture Manufacturing

CATALOG: Kennington 2 Door Display Cabinet

MODEL # TGT66BK



THIS UNIT IS INTENDED ONLY FOR USE WITHIN THE MAXIMUM WEIGHTS INDICATED. USE WITH LOADS HEAVIER THAN THE MAXIMUM WEIGHTS INDICATED MAY RESULT IN INSTABILITY, CAUSING POSSIBLE INJURY.

The maximum recommended weight allowance is 22.7 kg / 50 lb for the shelf and the base.

 **WARNING**

Please use your furniture correctly and safely. Improper use can cause safety hazards, or damage to your furniture or household items. Carefully read the following safety information.

Death or serious injury may occur when children climb on audio and/or video equipment furniture. A remote control or toys placed on the furnishing may encourage a child to climb on the furnishing and as a result may tip over onto the child.

**NEVER** allow children to climb or play with the TV or furnishing supporting the TV.

**NEVER** place toys, food, remote, etc. on top of the TV or TV furnishing.

**ALWAYS** use either the safety hardware as instructed or other wall anchoring device.

Relocating audio and/or video equipment to furniture not specifically designed to support audio and/or video equipment may result in death or serious injury due to furniture collapse or over turning onto a child.

**NEVER** place a TV on furniture that is not intended to support a TV.

**NEVER** exceed the maximum size and weight of the TV shown in the instructions.

Be sure to refer to the TV warning label as shown in the instructions.

Overloading drawers and shelves may result in furniture that can break or sag, or tip-over which may result in injury.

**NEVER** exceed the weight limits shown in the instructions.

Place the heavier items on lower shelves as far back from the front as possible.

Load the bottom surfaces first to avoid top-heavy furniture.

Moving furniture that is not designed to be moved or equipped with casters may result in injury or damage to furnishings or personal property.

**ALWAYS** unload shelves and drawers, starting with the top surfaces, before moving.

**NEVER** push or pull furniture on carpet. Have a friend help lift properly to move and/or reposition it.

**DO NOT** use the unit as a seating surface.

