

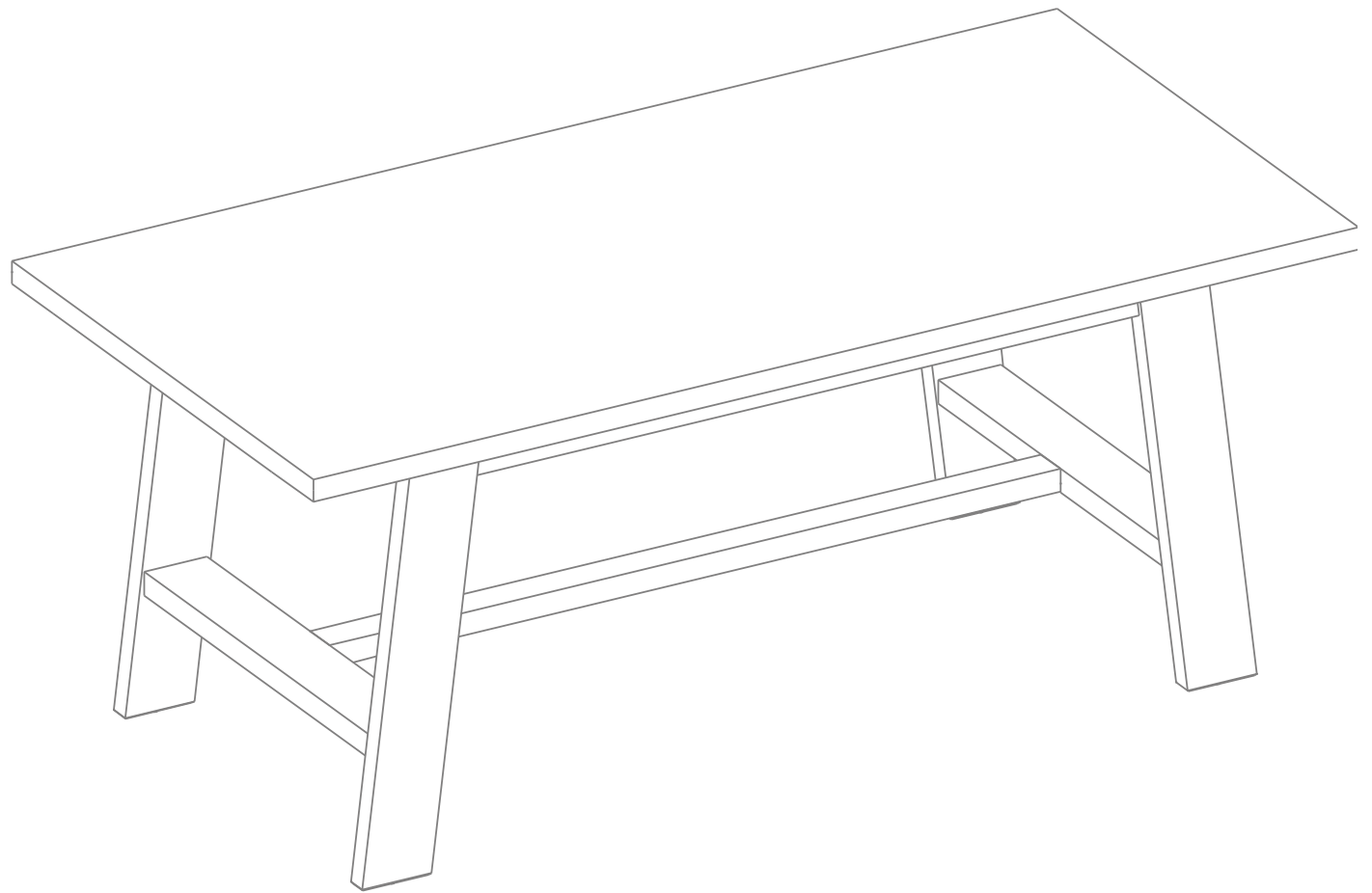


THRESHOLD

## Linden 72" Rectangular Wood Dining Table

Style #: TGT72DT-BLK / TGT72DT-NTL

DPC-item #: 249-04-0191 / 249-04-9074



>> [Assembly instructions](#)



Congratulations on your latest Target purchase.

Now what? Don't start sweating over this box of parts. This will be easy. We did the hard work for you. All you need to do is follow our simple instructions and you'll be on your way to transforming your room in no time. Good luck – though we're confident you won't need it.

## before you begin

1. Check for damaged or missing parts. Call 1-855-MYTGTHOME (855-698-4846) to order missing supplies.
2. Use the carton as a work surface to prevent product damage during assembly.
3. Gather all tools prior to assembly.

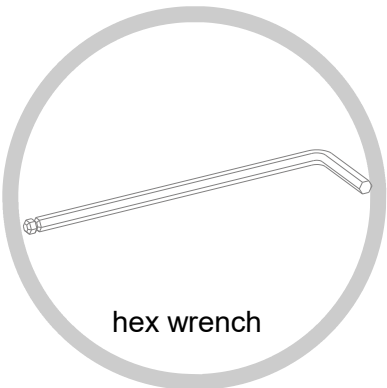


Before you begin

3D-GUIDED INTERACTIVE ASSEMBLY INSTRUCTIONS CAN BE FOUND IN BILT®  
DOWNLOAD THE **FREE** APP

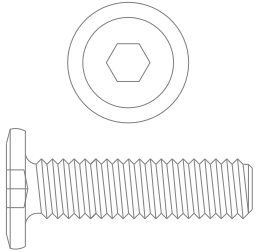
  

## tool needed (only hex wrench included)

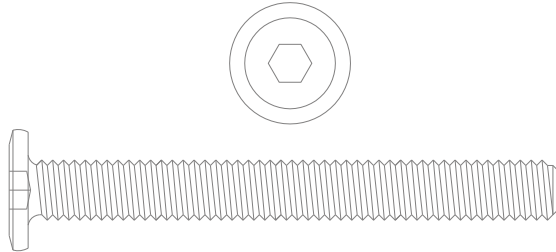


# hardware

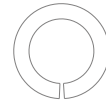
(H1) x 4  
5/16" x 30mm bolt



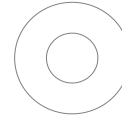
(H2) x 16  
5/16" x 70mm bolt



(H3) x 20  
lock washer



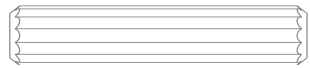
(H4) x 16  
flat washer



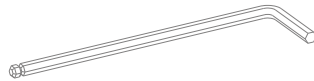
(H5) x 4  
half washer



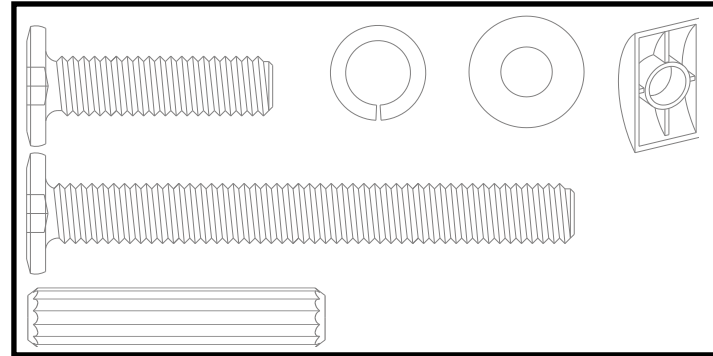
(H6) x 4  
M8 x 40mm wood dowel



(H7) x 1  
hex wrench



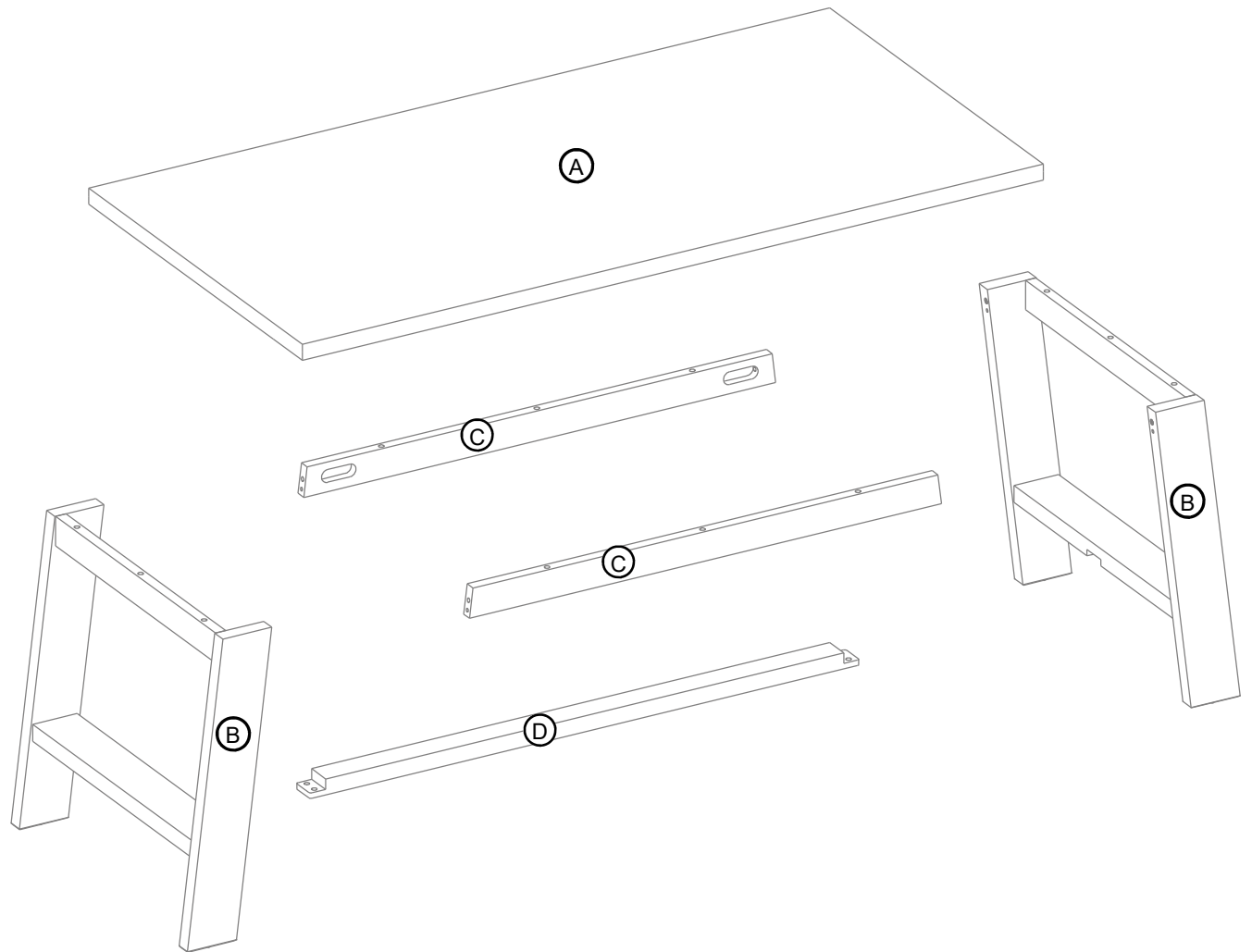
## Spare hardware



**exploded diagram**

---

ITEM	DESCRIPTION	QTY
A	Table top	1
B	Table Leg	2
C	Top stretcher	2
D	Bottom stretcher	1



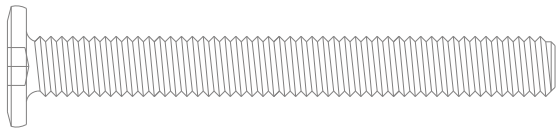
## step 1: attach top stretchers between the table legs

---

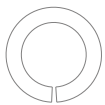
**NOTE:** DO NOT fully tighten all bolts until you finish assembling all parts. Once assembled, go back and fully tighten all bolts. This will make the assembly easier.

---

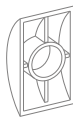
**(H2) x 4**  
5/16" x 70mm bolt



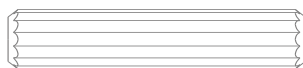
**(H3) x 4**  
lock washer



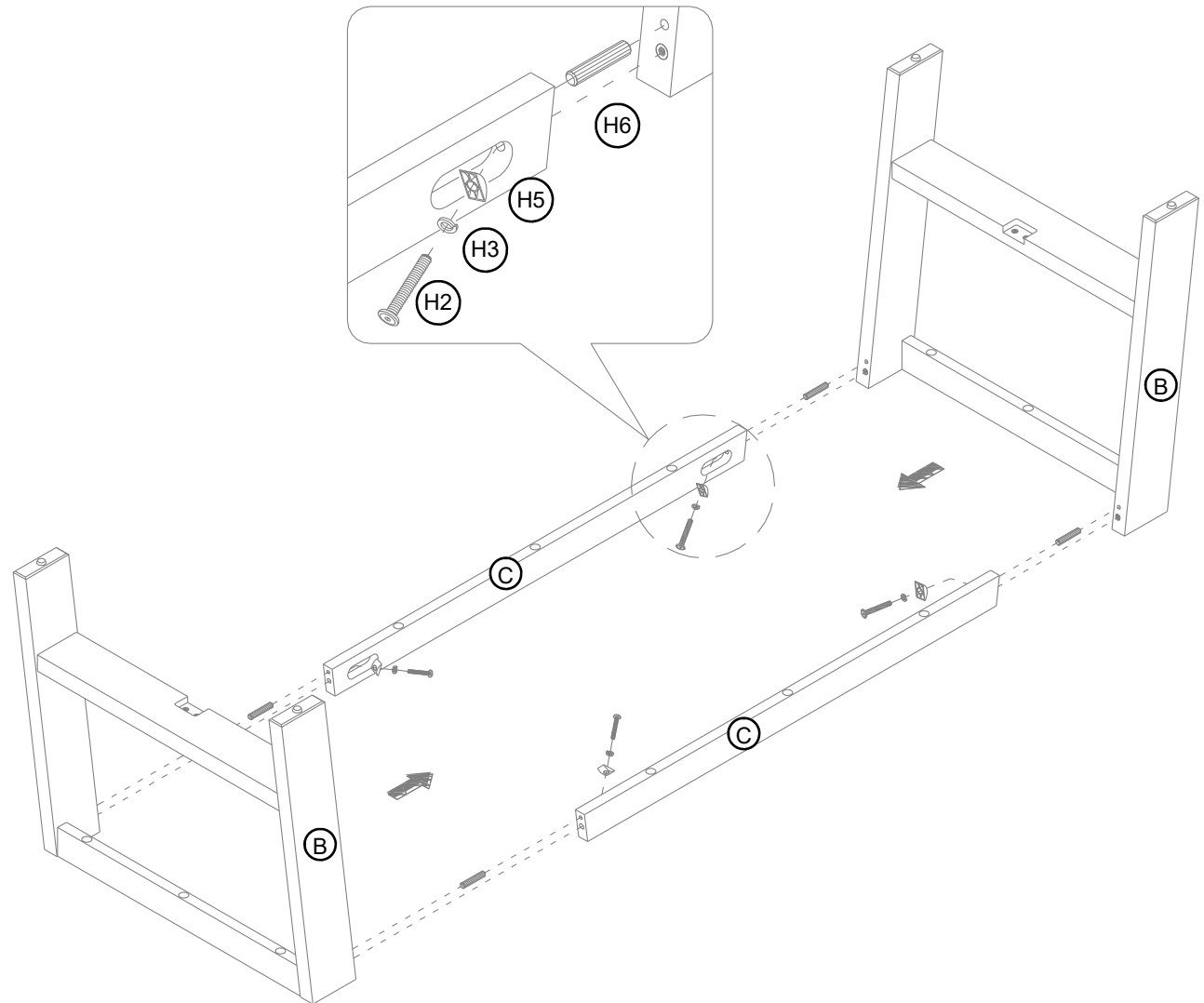
**(H5) x 4**  
half washer



**(H6) x 4**  
M8 x 40mm wood dowel



**(H7) x 1**  
hex wrench

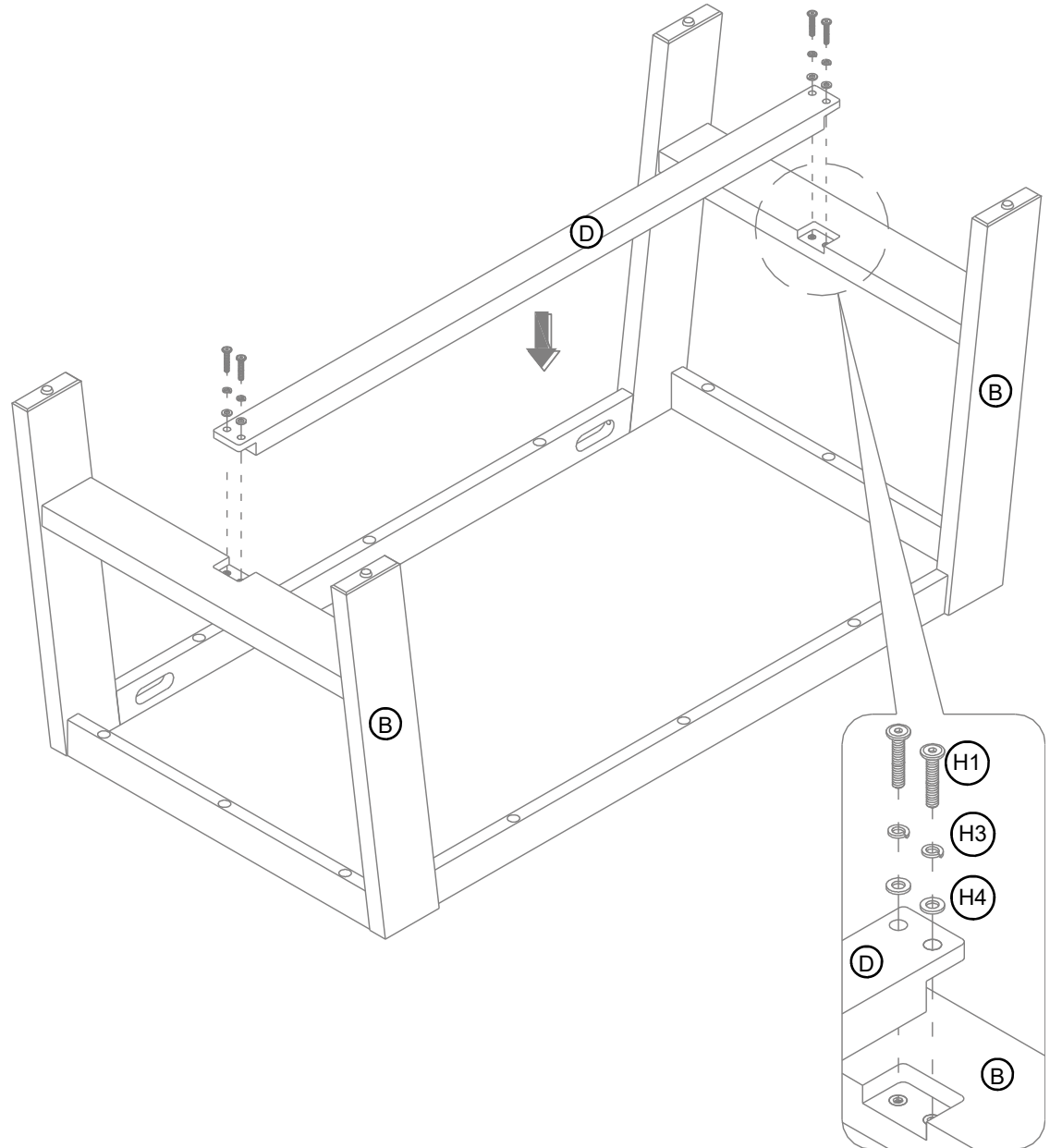


- 1.1. Insert the wood dowels into the top stretchers at both ends and attach them between the table legs (B).
- 1.2. Insert the 70mm bolts with washers through the mounting holes and screw into the legs.

## step 2: attach the bottom stretcher to the table legs

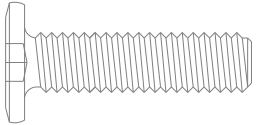
---

**NOTE:** DO NOT fully tighten all bolts until you finish assembling all parts. Once assembled, go back and fully tighten all bolts. This will make the assembly easier.

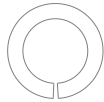


---

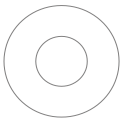
**(H1) x 4**  
5/16" x 30mm bolt



**(H3) x 4**  
lock washer



**(H4) x 4**  
flat washer



**(H7) x 1**  
hex wrench



2.1. Fit the bottom stretcher (D) onto the cutouts on the table legs (B) and fasten into place with the fasteners.

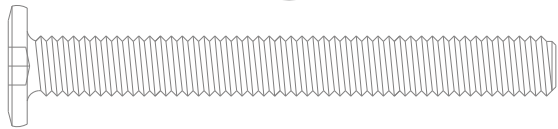
## step 3: attach the base to the table top

---

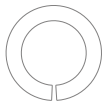
**NOTE:** DO NOT fully tighten all bolts until you finish assembling all parts. Once assembled, go back and fully tighten all bolts. This will make the assembly easier.

---

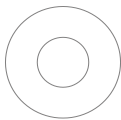
(H2) x 12  
5/16" x 70mm bolt



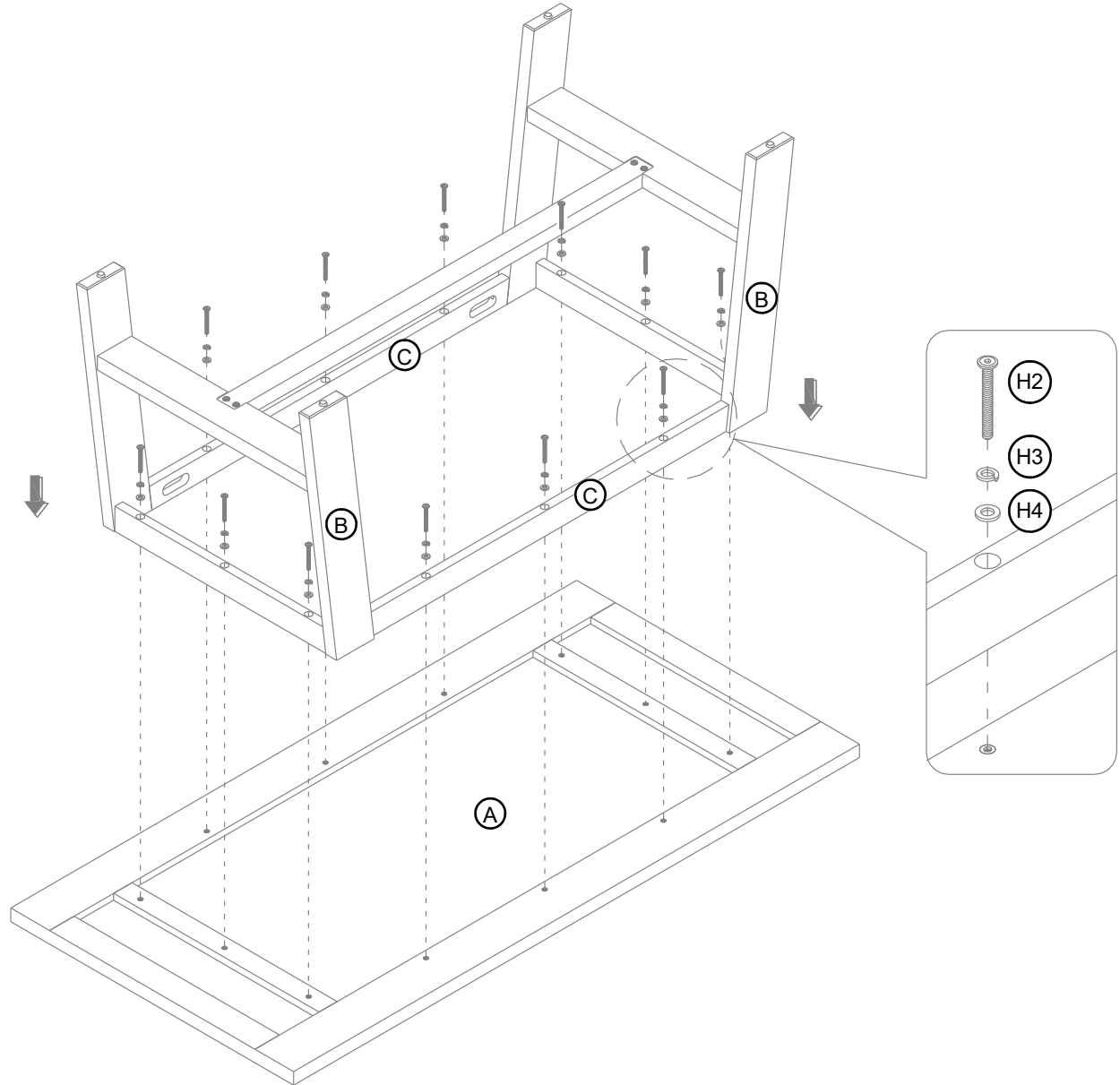
(H3) x 12  
lock washer



(H4) x 12  
flat washer



(H7) x 1  
hex wrench



3.1. Place the table top (A) upside down on a carpeted floor or the empty carton to avoid any scratches

3.2. Attach the base to the table top (A), making sure the mounting holes overlap the threaded inserts properly and insert 70mm bolts with the washers through the mounting holes and tightly screw into place.

## step 4: level the unit

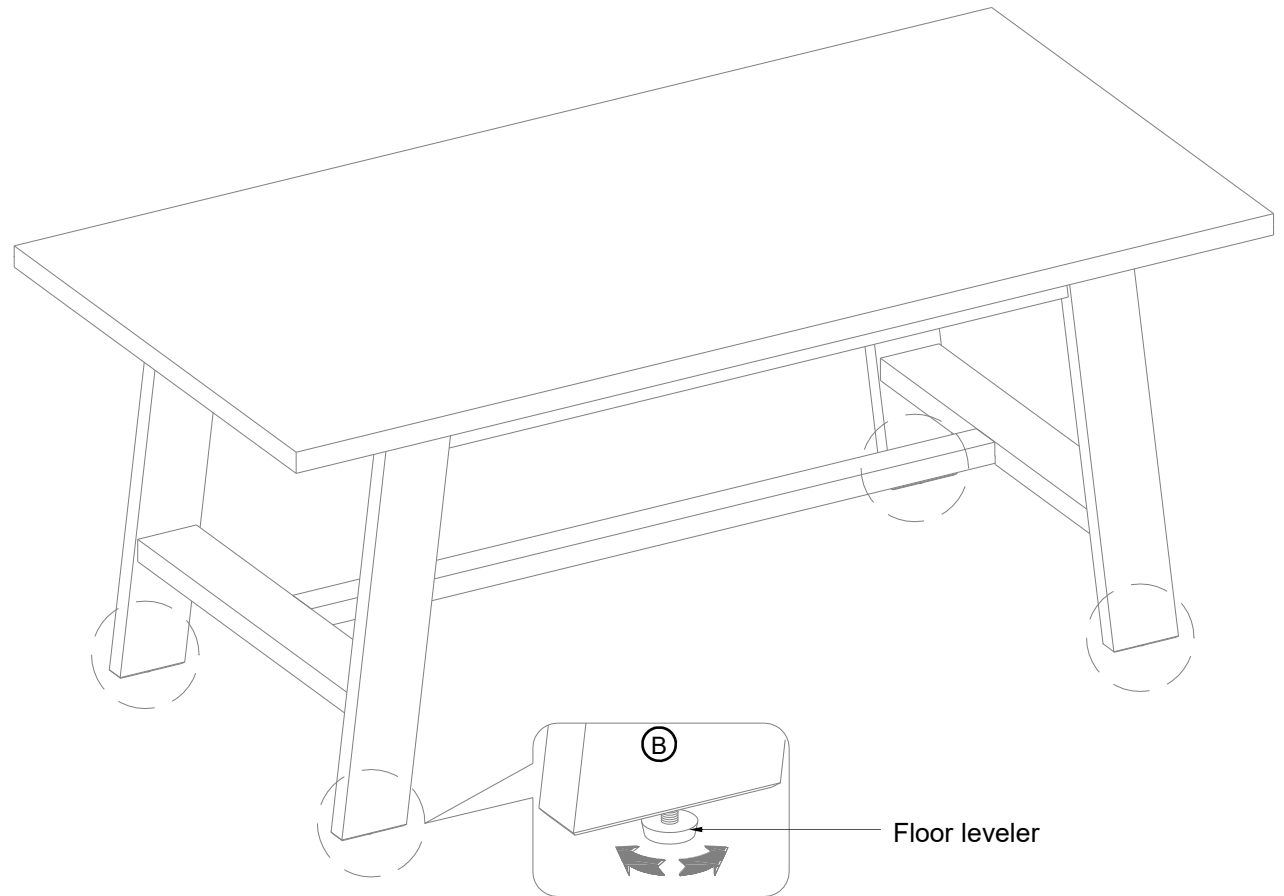
---



**CAUTION:** Heavy! You may need assistance with this step.

---

**NOTE:** Go back and fully tighten all bolts.



- 4.1. Ask for assistance to lift the assembled unit upright and position it at the desired location.
- 4.2. If necessary, adjust the pre attached floor levelers to correct the tilting.



## Care and Maintenance

- Use a soft, clean cloth that will not scratch the surface when dusting.
- Use of furniture polish is not necessary. Should you choose to use polish, test first in an inconspicuous area.
- Using solvents of any kind on your furniture may damage the finish.
- Never use water to clean your furniture as it may cause damage to the finish.
- Always use coasters under beverage glasses and flowerpots.
- Liquid spills should be removed immediately. Using a soft, clean cloth, blot the spill gently. Avoid rubbing.
- Always use protective pads under hot dishes and plates. Heat can cause chemical changes that may create spotting within the furniture finish.
- Stains or marks from crayons or ink markers will be difficult to remove.
- In the event that your furniture is stained or otherwise damaged during use, we recommend that you call a professional to repair your furniture.
- Check bolts/screws and nuts periodically and tighten them if necessary.

## Further Advice about Wood Furniture Care

It is best to keep your furniture in a climate-controlled environment. Extreme temperature and humidity changes can cause fading, warping, shrinking and splitting of wood. It is advised to keep furniture away from direct sunlight as sun may damage the finish.

Proper care and cleaning at home will extend the life of your purchase. Following these important and helpful tips will enhance your furniture as it ages.

We hope you enjoy your purchase for many years.  
Thank you for your purchase!

## QUALITY GUARANTEE

We are confident that you will be delighted with your Whalen Furniture purchase.

Should this product be defective in workmanship or materials or fail under normal use, we will repair or replace it for up to one (1) year from date of purchase. Every Whalen Furniture product is designed to meet your highest expectations. We guarantee that you will immediately see the value of our fine furniture.

This warranty gives you specific al rights and you may also have other rights which vary from state to state or province to province.

Customer Service: 1-855-MYTGTHOME (855-698-4846)  
8:30 a.m. - 4:30 p.m., PST, Monday to Friday  
[www.whalenfurniture.com](http://www.whalenfurniture.com)

The table top maximum recommended weight allowance is 181.4 kg / 400 lb.

 **WARNING**

Please use your furniture correctly and safely. Improper use can cause safety hazards, or damage to your furniture or household items. Carefully read the following safety information.

Death or serious injury may occur when children climb on audio and/or video equipment furniture. A remote control or toys placed on the furnishing may encourage a child to climb on the furnishing and as a result may tip over onto the child.

**NEVER** allow children to climb or play with the TV or furnishing supporting the TV.

**NEVER** place toys, food, remote, etc. on top of the TV or TV furnishing.

**ALWAYS** use either the safety hardware as instructed or other wall anchoring device.

Relocating audio and/or video equipment to furniture not specifically designed to support audio and/or video equipment may result in death or serious injury due to furniture collapse or over turning onto a child.

**NEVER** place a TV on furniture that is not intended to support a TV.

**NEVER** exceed the maximum size and weight of the TV shown in the instructions.

Be sure to refer to the TV warning label as shown in the instructions.

Overloading drawers and shelves may result in furniture that can break or sag, or tip-over which may result in injury.

**NEVER** exceed the weight limits shown in the instructions.

Place the heavier items on lower shelves as far back from the front as possible.

Load the bottom surfaces first to avoid top-heavy furniture.

Moving furniture that is not designed to be moved or equipped with casters may result in injury or damage to furnishings or personal property.

**ALWAYS** unload shelves and drawers, starting with the top surfaces, before moving.

**NEVER** push or pull furniture on carpet. Have a friend help lift properly to move and/or reposition it.

The unit is not meant as a seat and no one should be sitting or standing on the table top