

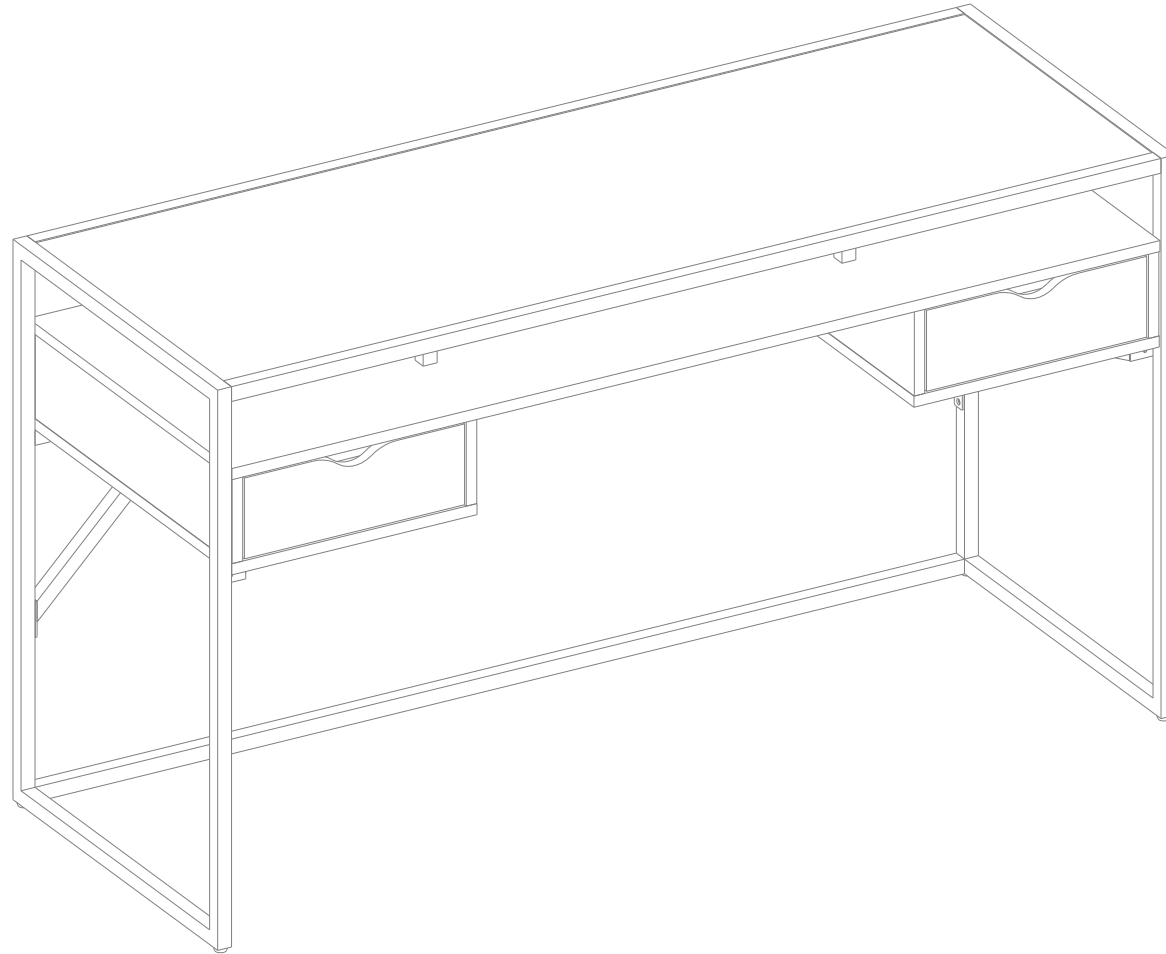
PROJECT



## ADA Large Desk

Style #: TGTD54-1

DPC-item #: 249-14-0270



>> [Assembly instructions](#)



Congratulations on your latest Target purchase.

Now what? Don't start sweating over this box of parts. This will be easy. We did the hard work for you. All you need to do is follow our simple instructions and you'll be on your way to transforming your room in no time. Good luck – though we're confident you won't need it.

## before you begin

1. Check for damaged or missing parts. Call 1-855-MYTGTHOME (855-698-4846) to order missing supplies.
2. Use the carton as a work surface to prevent product damage during assembly.
3. Gather all tools prior to assembly.

**IMPORTANT / IMPORTANTE**

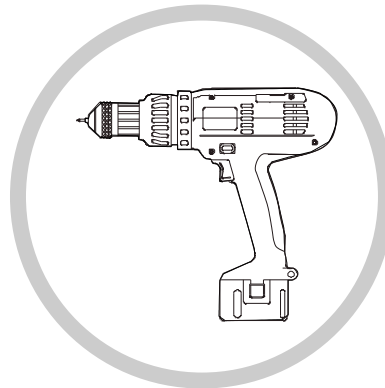
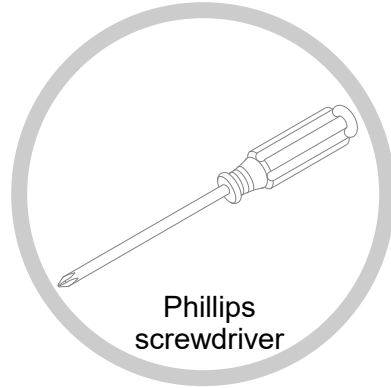
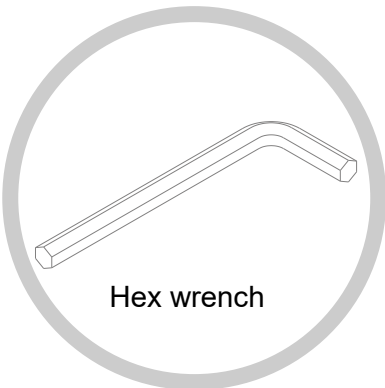


**BILT.**

Scan for easy 3D instructions  
Scannez pour des instructions faciles en 3D  
Escanea para instrucciones fáciles en 3D

Download on the App Store | GET IT ON Google Play

## tools needed (only hex wrench included)

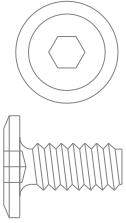


For tipping restraint hardware kit only.

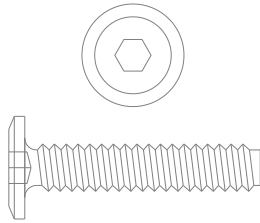
# hardware

---

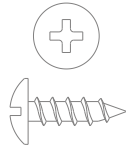
**(H1) x 16**  
1/4" x 13mm bolt



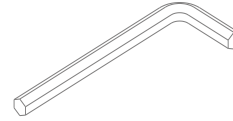
**(H2) x 6**  
1/4" x 30mm bolt



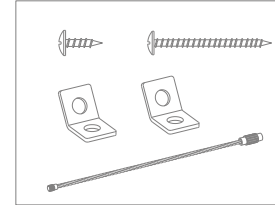
**(H3) x 18**  
M4 x 12mm  
pan head screw



**(H4) x 1**  
hex wrench

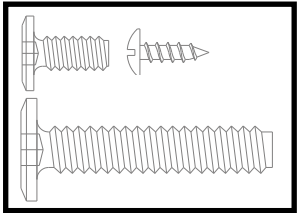


**(H5) x 1**  
tipping restraint hardware kit  
(inside plasticbag)



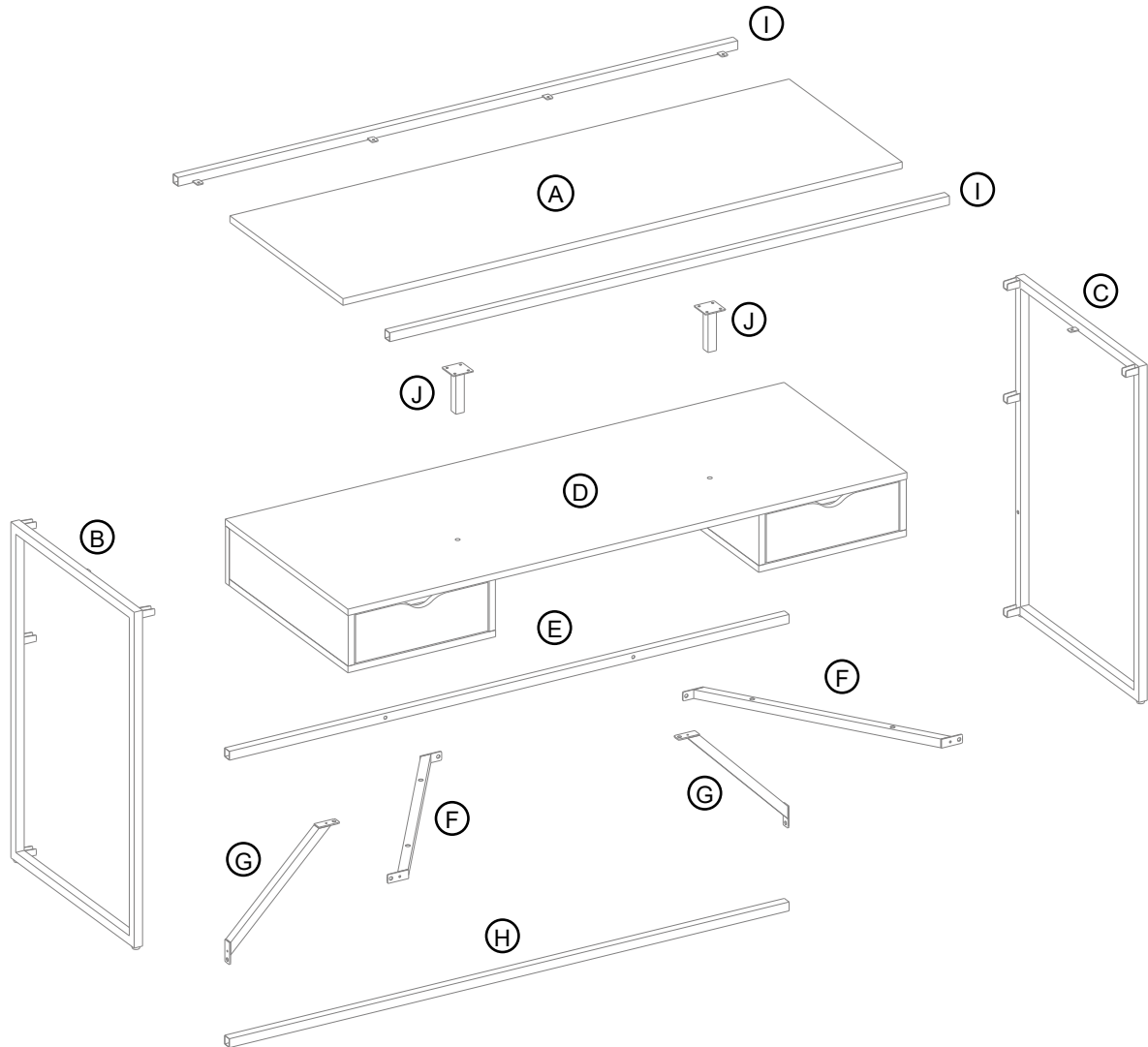
---

## Spare hardware



# exploded diagram

ITEM	DESCRIPTION	QTY
A	Top panel	1
B	Left side frame	1
C	Right side frame	1
D	Drawer box	1
E	Back upper stretcher	1
F	Drawer box support	2
G	Back side brace	2
H	Back bottom stretcher	1
I	Top stretcher	2
J	Desk top support	2



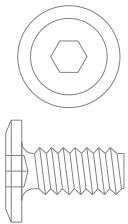
## step 1: attach the back stretchers to the right side frame

---

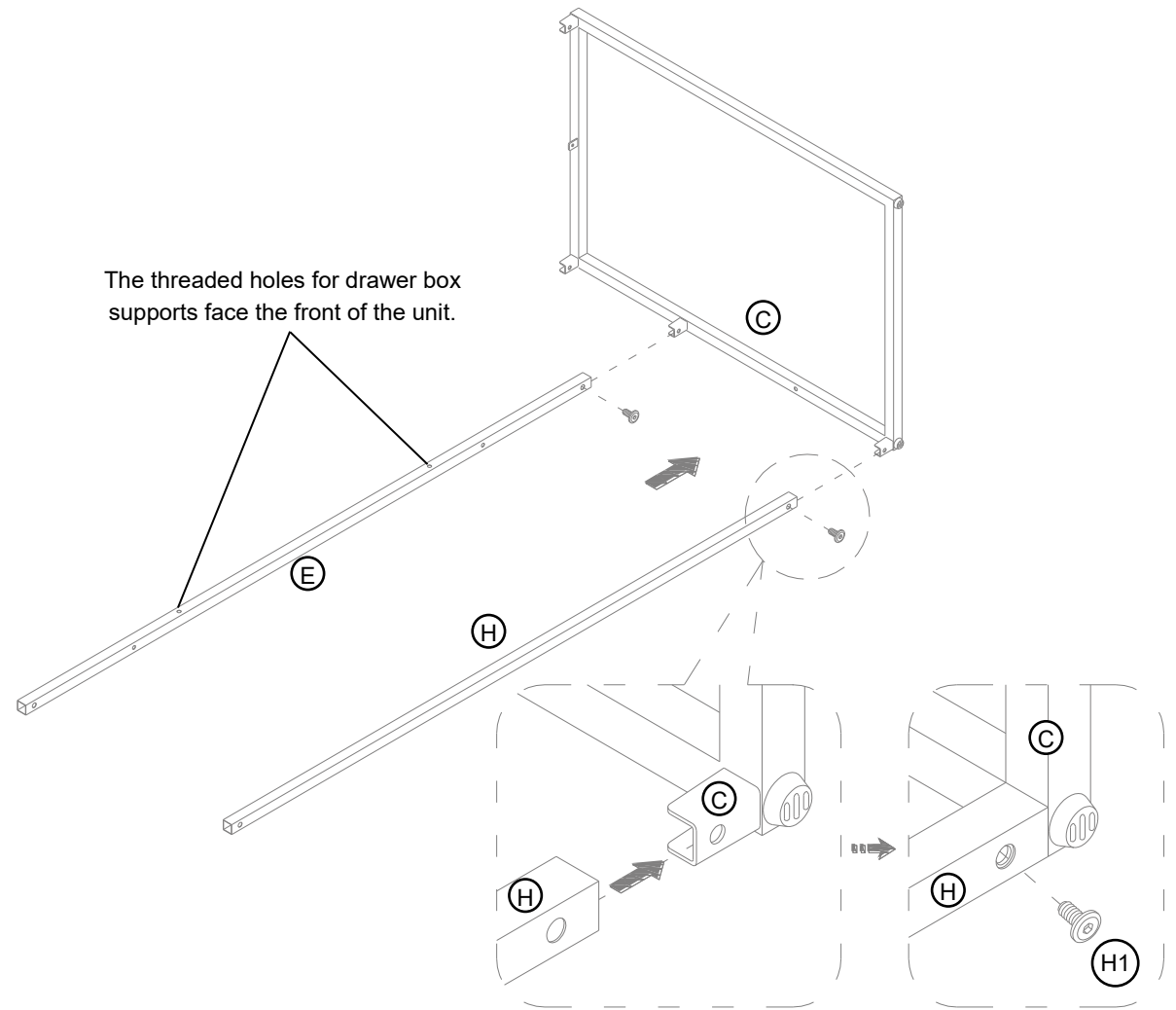
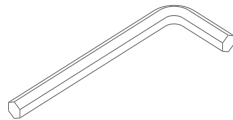
**NOTE:** DO NOT fully tighten all bolts until you finish assembling all parts. Once assembled, go back and fully tighten all bolts. This will make the assembly easier.

---

(H1) x 2  
1/4" x 13mm bolt



(H4) x 1  
hex wrench



- 1.1. Orient and fit the back upper stretcher (E) onto the U-shaped bracket on the right side frame (C) and secure them with one 13mm bolt (H1).
- 1.2. Fasten the back bottom stretcher (H) to the bottom U-shaped bracket on the right side frame (C) with one 13mm bolt (H1).

## step 2: attach the top stretchers to the right side frame

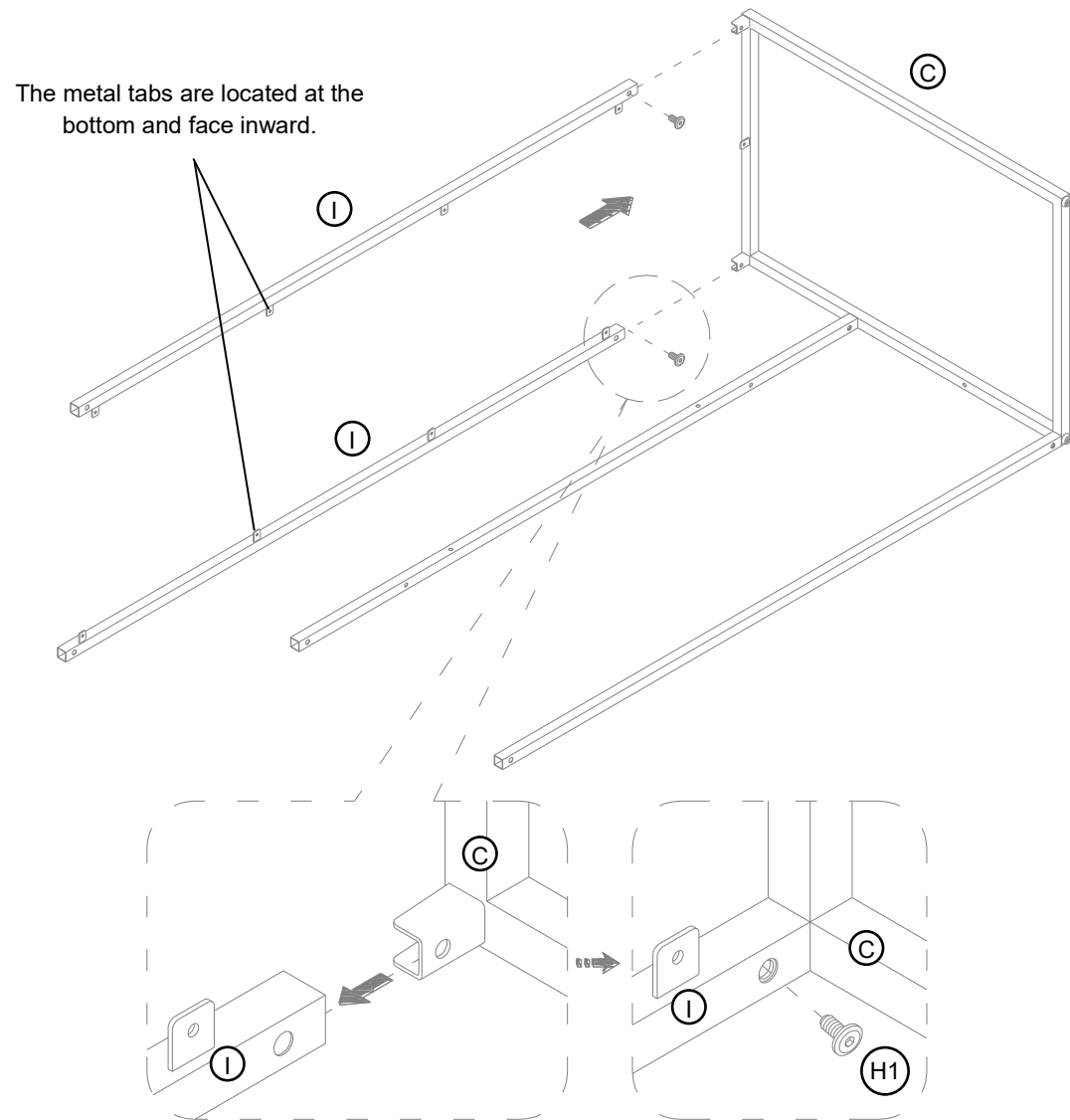
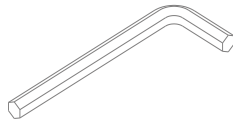
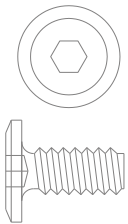
---

**NOTE:** DO NOT fully tighten all bolts until you finish assembling all parts. Once assembled, go back and fully tighten all bolts. This will make the assembly easier.

---

**(H1) x 2**  
1/4" x 13mm bolt

**(H4) x 1**  
hex wrench



2.1. Orient and fit two top stretchers (I) onto the U-shaped brackets on the right side frame (C) and secure them into place with two 13mm bolts (H1).

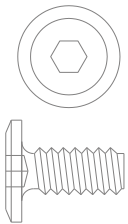
## step 3: attach the left side frame to the previous assembly

---

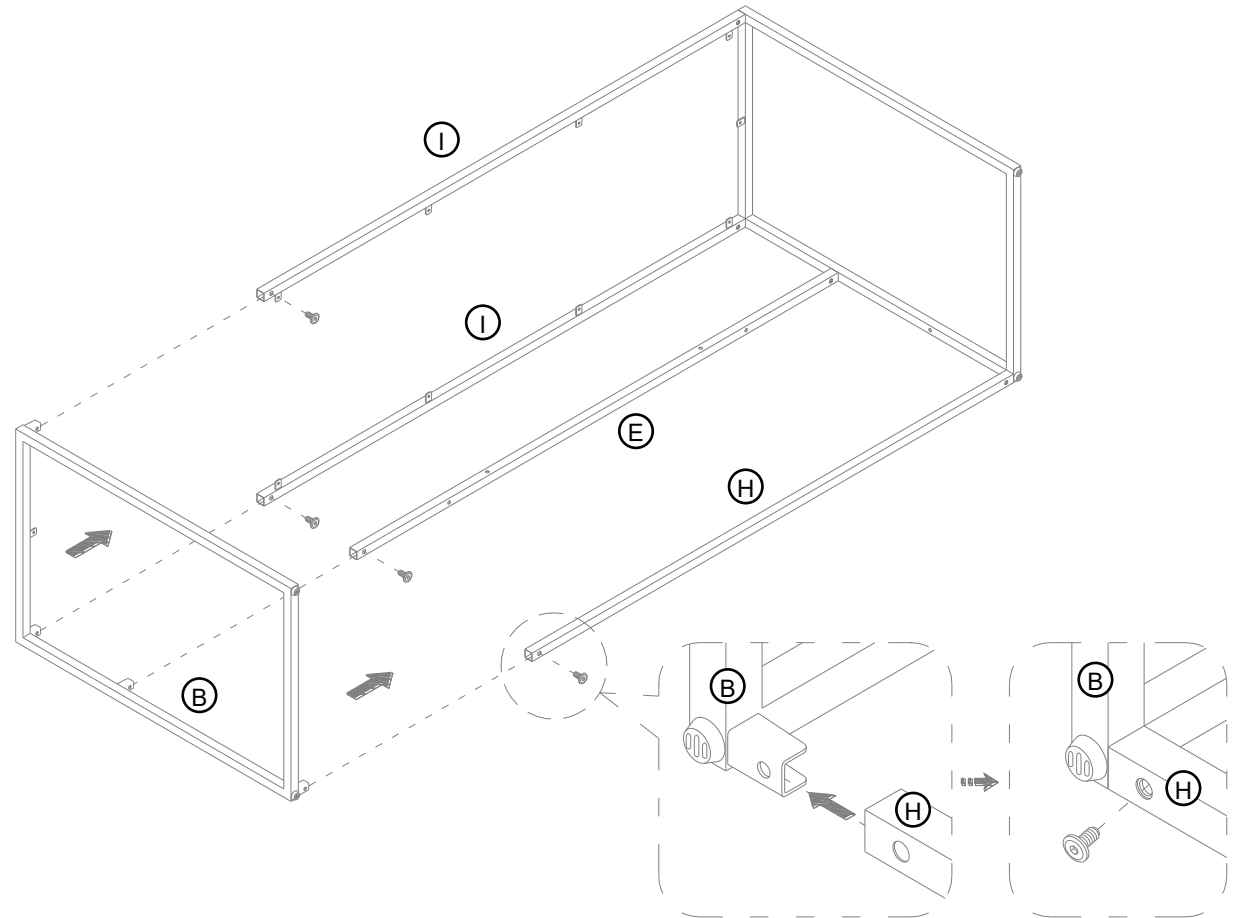
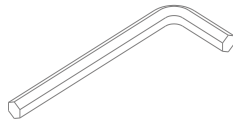
**NOTE:** DO NOT fully tighten all bolts until you finish assembling all parts. Once assembled, go back and fully tighten all bolts. This will make the assembly easier.

---

(H1) x 4  
1/4" x 13mm bolt



(H4) x 1  
hex wrench

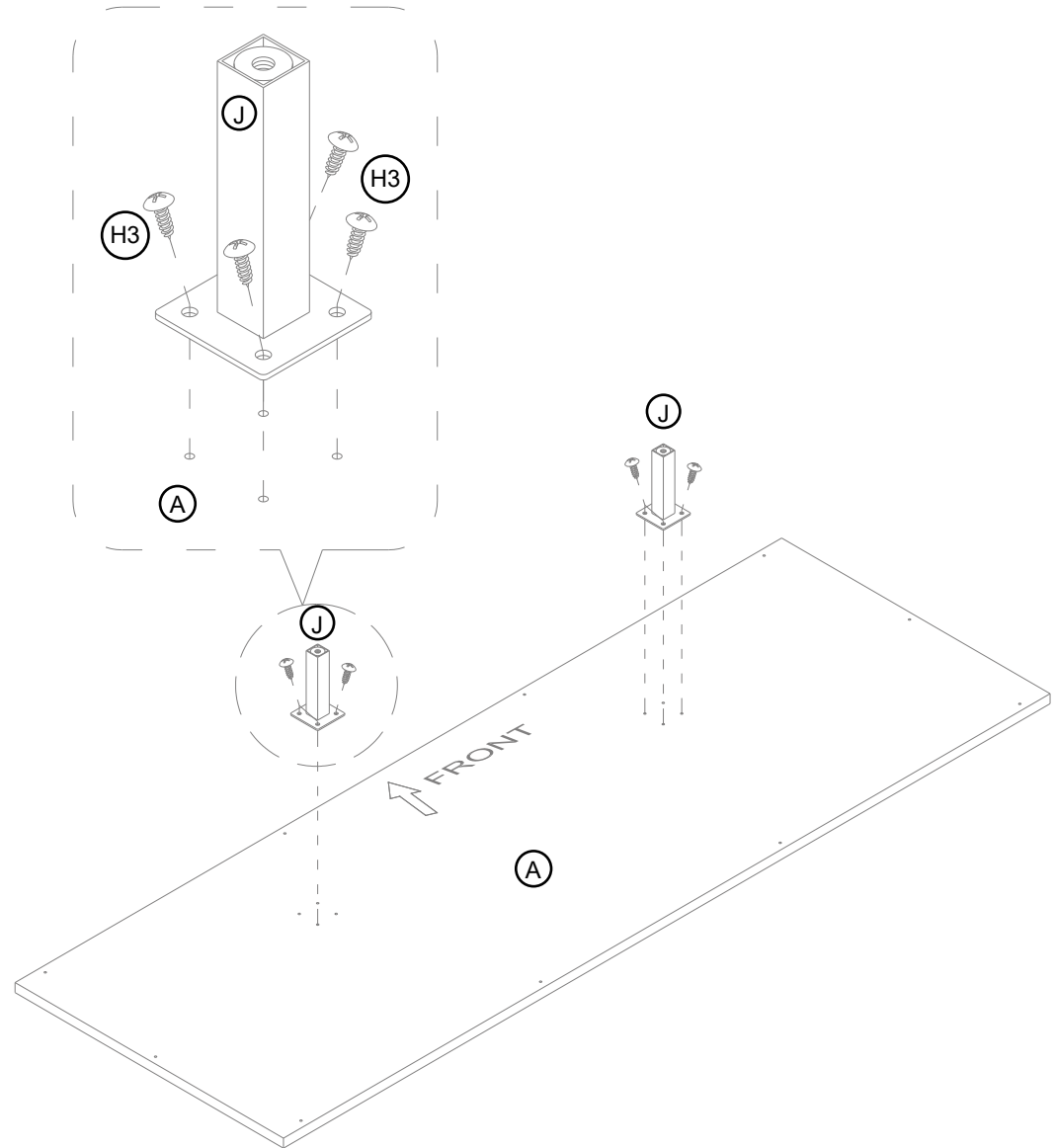


3.1. Repeat the same procedure to attach the left side frame (B) to the previous assembly with four 13mm bolts (H1).

## step 4: attach the desk top supports to the top panel

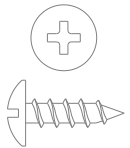
---

**NOTE:** DO NOT use power tools.



---

**(H3) x 8**  
M4 x 12mm  
pan head screw



4.1. Using the pilot holes as a guide, attach two desk top supports (J) to the top panel (A) with eight 12mm pan head screws (H3).

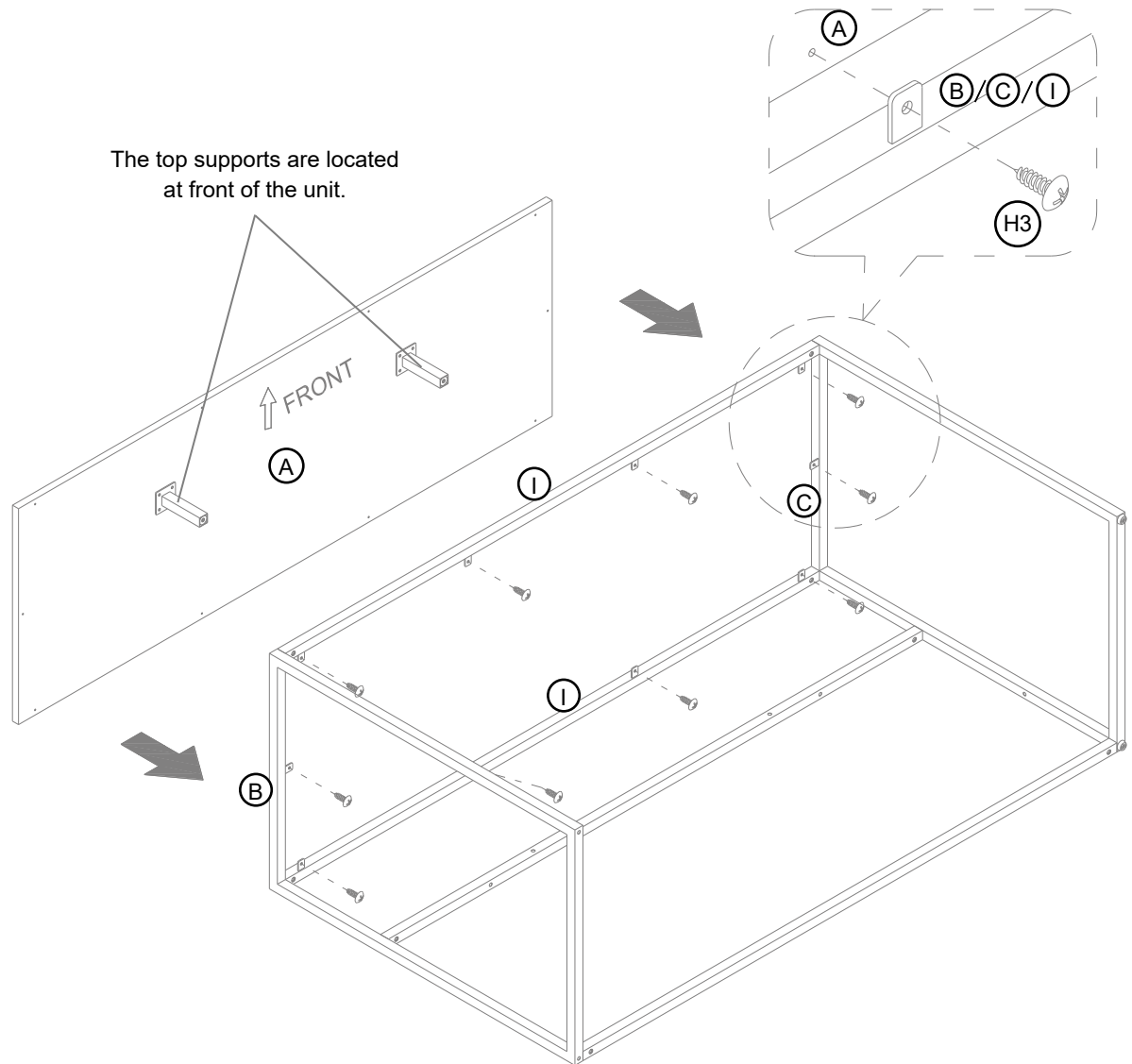


## step 5: attach the top panel to the previous assembly

---

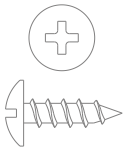
**NOTE:** Try working from one end to the other to slide the top panel (A) into place. You may need to push or pull the top stretchers and side frames slightly to get them to align with the holes. DO NOT use power tools.

The top supports are located at front of the unit.



---

**(H3) x 10**  
M4 x 12mm  
pan head screw

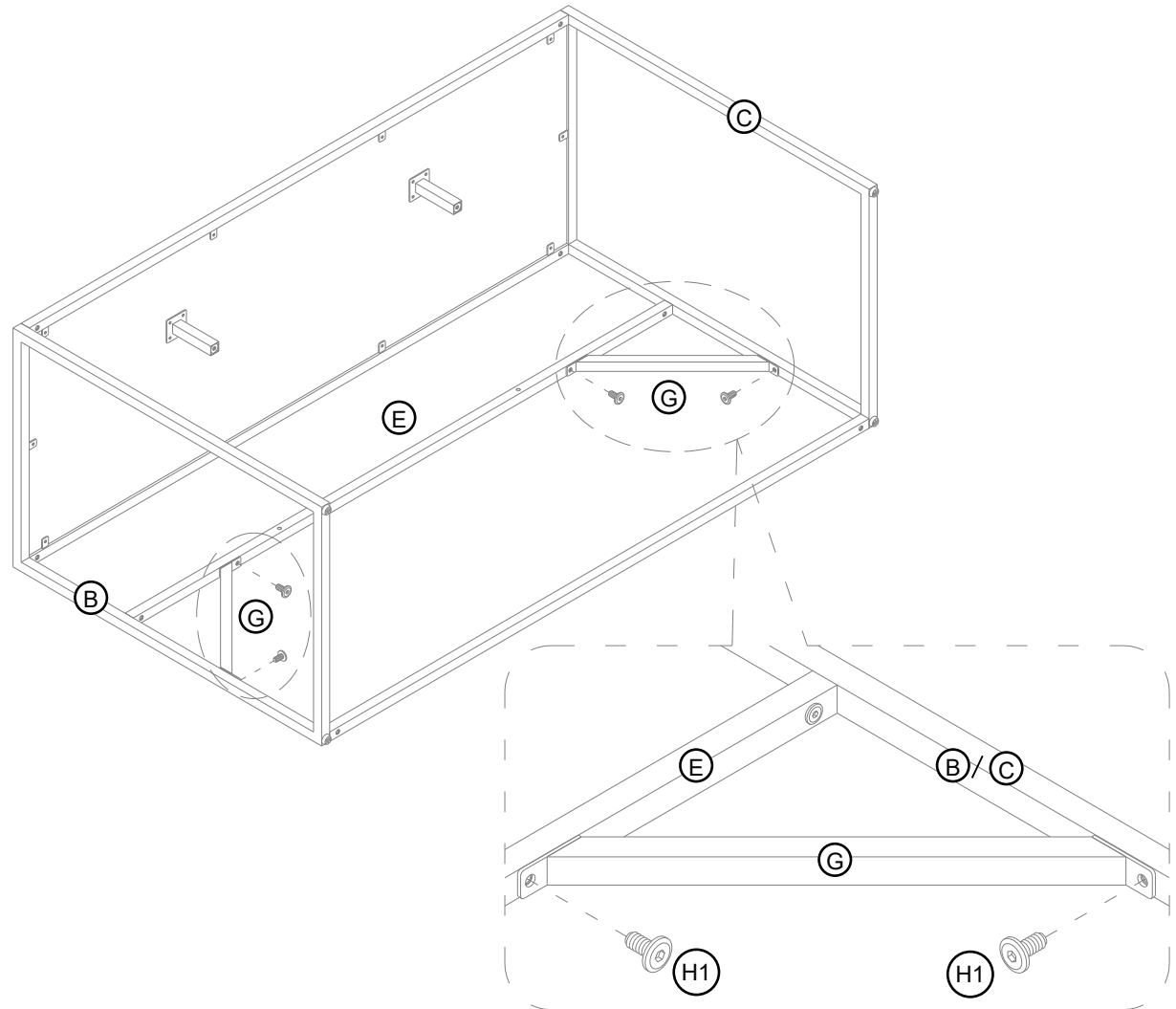


5.1. Orient and attach the top panel (A) between the top stretchers (I) and side frames (B and C) with ten 12mm screws (H3).

## step 6: attach back side braces

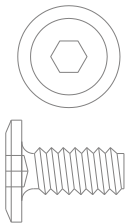
---

**NOTE:** DO NOT fully tighten all bolts until you finish assembling all parts. Once assembled, go back and fully tighten all bolts. This will make the assembly easier.

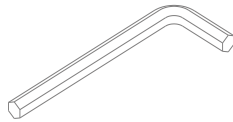


---

**(H1) x 4**  
1/4" x 13mm bolt



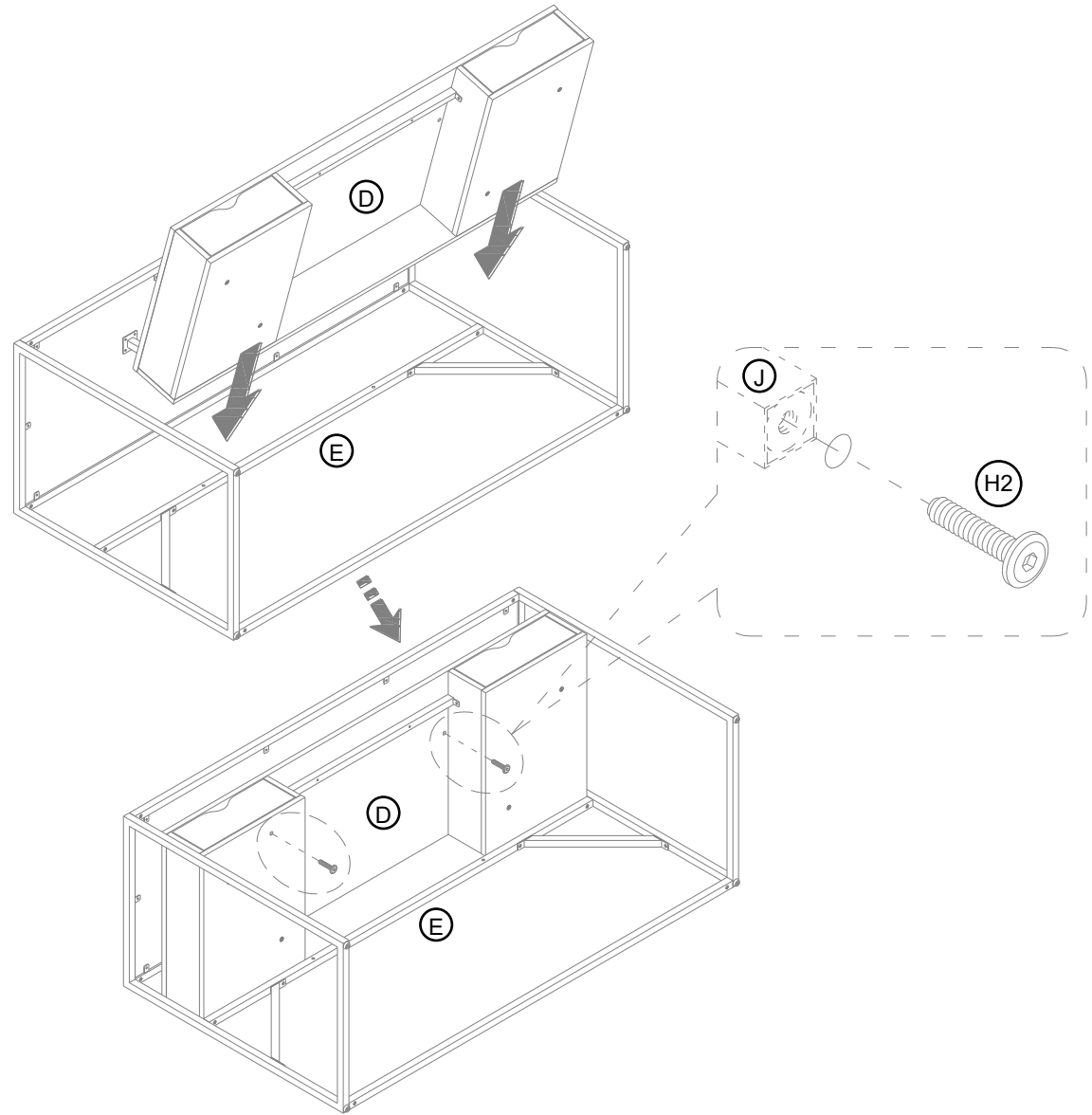
**(H4) x 1**  
hex wrench



6.1. Align and attach two back side braces (G) between the side frames (B and C) and the back upper stretcher (E) with four 13mm bolts (H1).

## step 7: prepare drawer box assembly

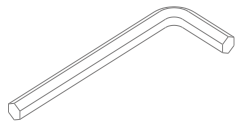
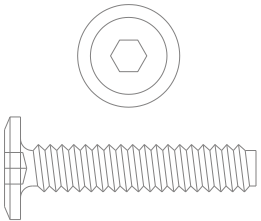
---



---

**(H2) x 2**  
1/4" x 30mm bolt

**(H4) x 1**  
hex wrench



- 7.1. Ask for assistance from another adult, exercise caution and place the drawer box (D) onto the back upper stretcher (E) properly.
- 7.2. Insert two 30mm bolts (H2) through the mounting holes on the open shelf of the drawer box (D) and securely screw them into the desk top supports (J).

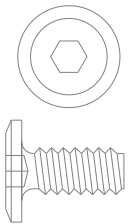
## step 8: attach drawer box supports

---

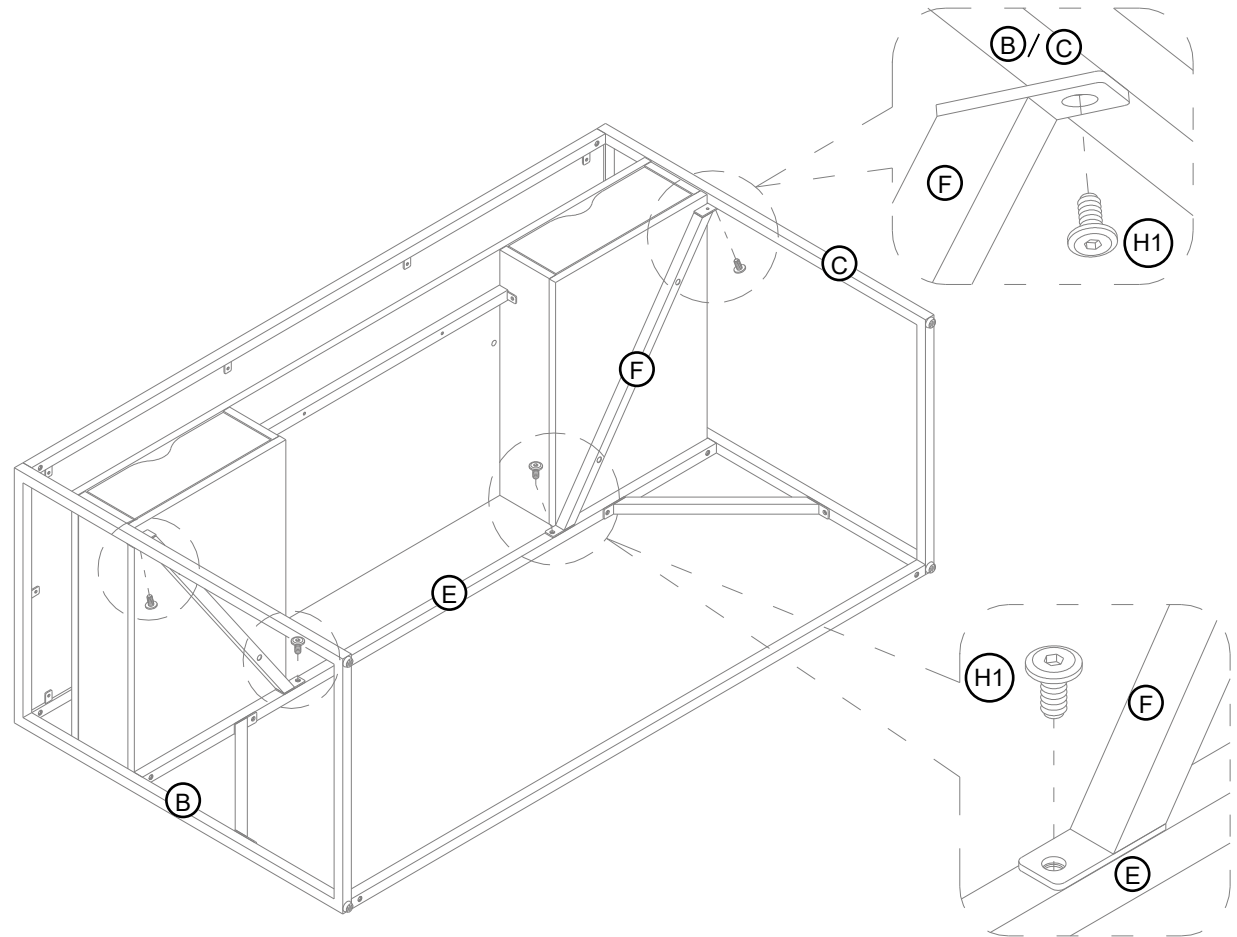
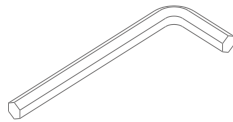
**NOTE:** DO NOT fully tighten all bolts until you finish assembling all parts. Once assembled, go back and fully tighten all bolts. This will make the assembly easier.

---

**(H1) x 4**  
1/4" x 13mm bolt



**(H4) x 1**  
hex wrench

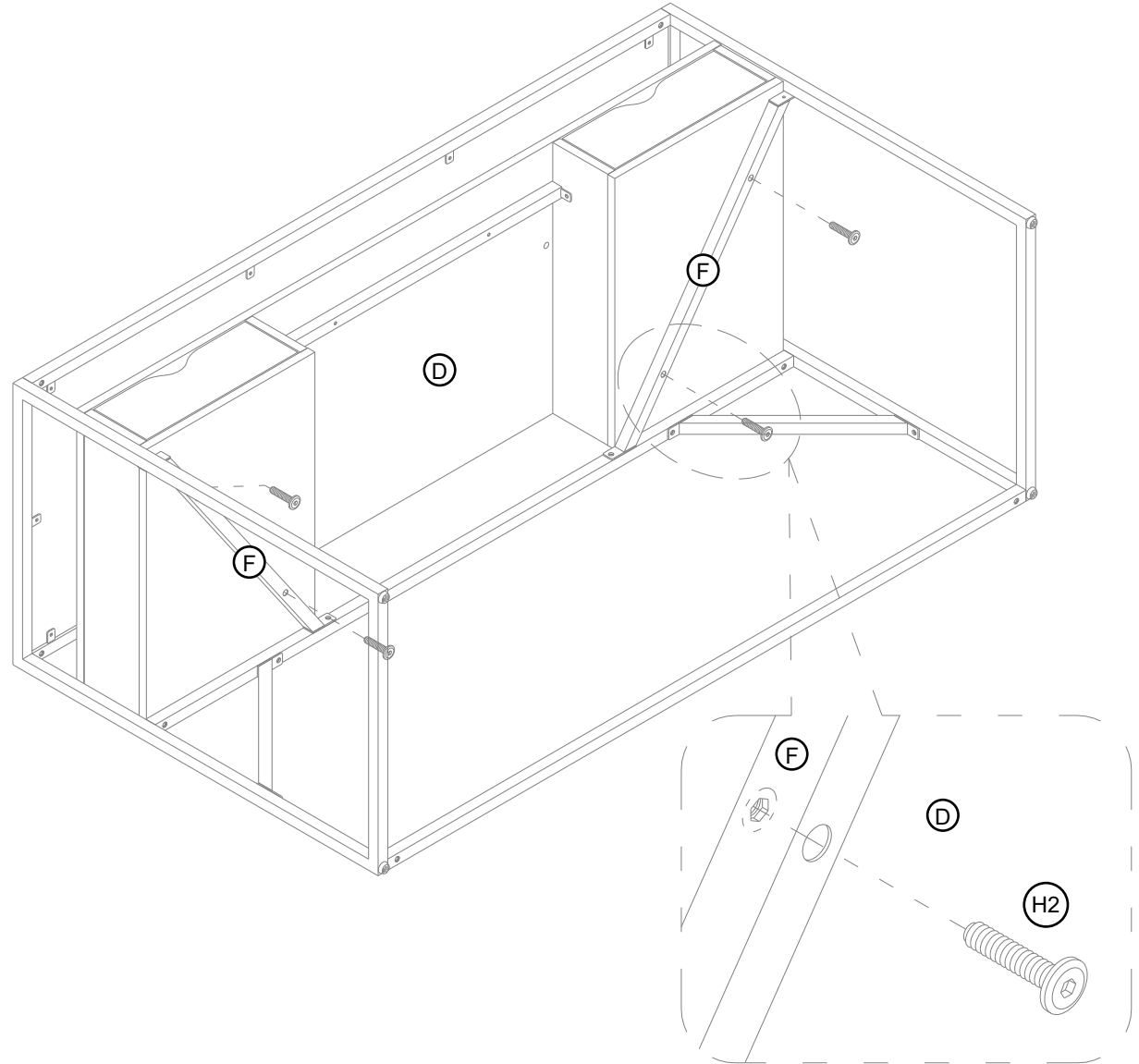


8.1. Align and attach the drawer box supports (F) between the back upper stretcher (E) and the side frames (B and C) with four 13mm bolts (H1). Make sure that the mounting holes on the drawer box supports (F) overlap the threaded inserts underneath the drawer box properly.

## step 9: fasten the drawer box

---

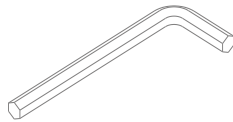
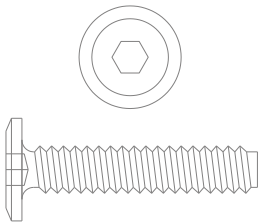
**NOTE:** DO NOT fully tighten all bolts until you finish assembling all parts. Once assembled, go back and fully tighten all bolts. This will make the assembly easier.



---

(H2) x 4  
1/4" x 30mm bolt

(H4) x 1  
hex wrench



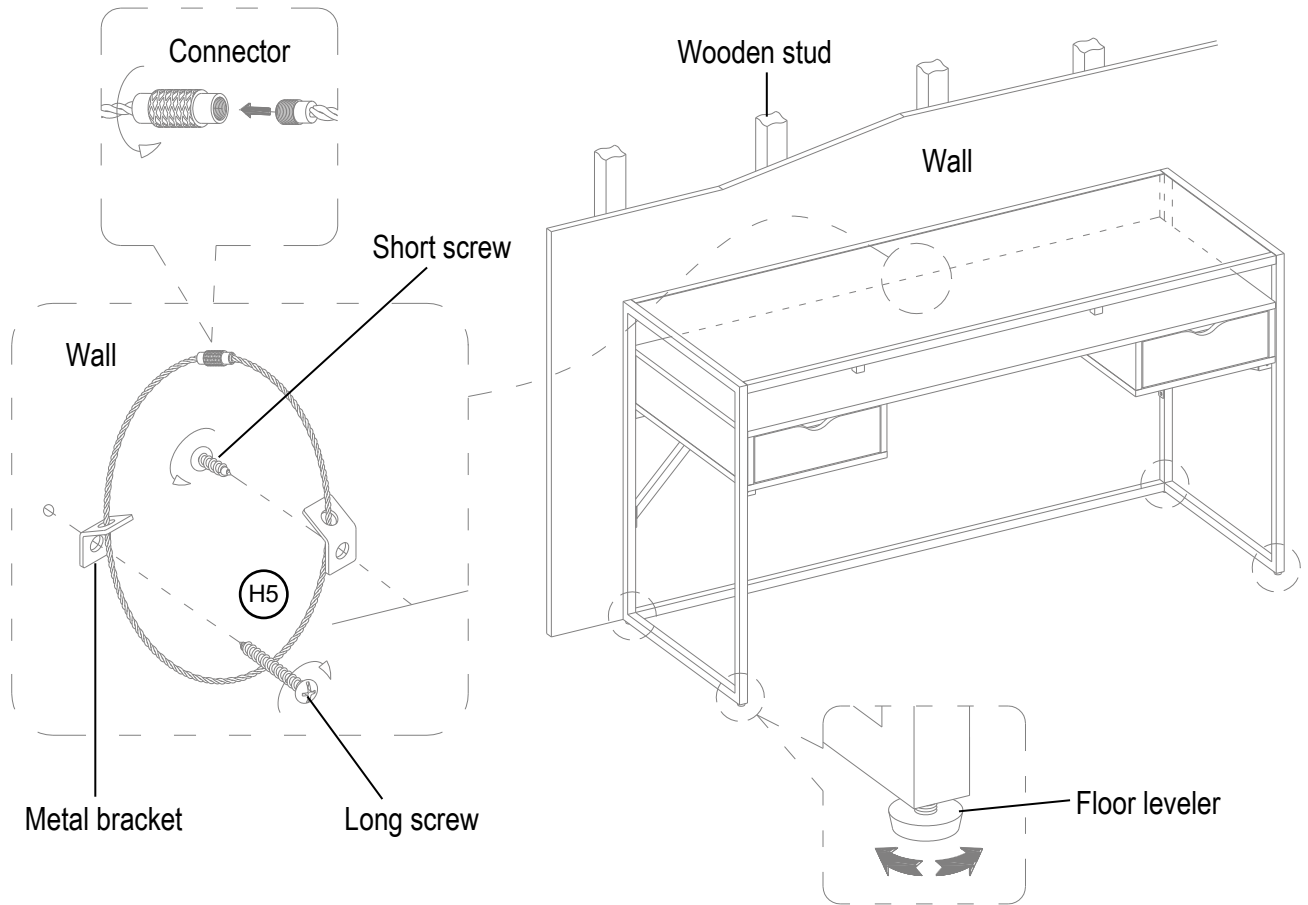
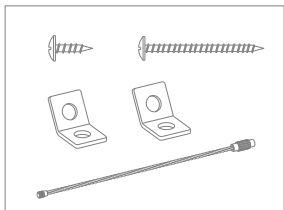
9.1. Insert four 30mm bolts (H2) through the drawer box supports (F) and securely screw into the drawer box (D).

## step 10: attach tipping restraint hardware

---



(H5) x 1  
tipping restraint hardware kit  
(inside plastic bag)



Tools required: Phillips screwdriver, stud finder, tape measure, pencil, power drill and 1/8" drill bit.

10.1. Adjust the pre-attached floor levelers to level the unit against a wall.

10.2. Follow the instructions printed on plastic bag containing tipping restraint hardware to attach the tip-over restraint between the unit and the wall.

**NOTE:** You must use this tipping restraint to attach this unit to the wall, to prevent accidents and / or injuries.

## Care and Maintenance

- Use a soft, clean cloth that will not scratch the surface when dusting.
- Use of furniture polish is not necessary. Should you choose to use polish, test first in an inconspicuous area.
- Using solvents of any kind on your furniture may damage the finish.
- Never use water to clean your furniture as it may cause damage to the finish.
- Always use coasters under beverage glasses and flowerpots.
- Liquid spills should be removed immediately. Using a soft, clean cloth, blot the spill gently. Avoid rubbing.
- Always use protective pads under hot dishes and plates. Heat can cause chemical changes that may create spotting within the furniture finish.
- Stains or marks from crayons or ink markers will be difficult to remove.
- In the event that your furniture is stained or otherwise damaged during use, we recommend that you call a professional to repair your furniture.
- Check bolts/screws and nuts periodically and tighten them if necessary.

## Further Advice about Wood Furniture Care

It is best to keep your furniture in a climate-controlled environment. Extreme temperature and humidity changes can cause fading, warping, shrinking and splitting of wood. It is advised to keep furniture away from direct sunlight as sun may damage the finish.

Proper care and cleaning at home will extend the life of your purchase. Following these important and helpful tips will enhance your furniture as it ages.

We hope you enjoy your purchase for many years.  
Thank you for your purchase!

## QUALITY GUARANTEE

We are confident that you will be delighted with your Whalen Furniture purchase.

Should this product be defective in workmanship or materials or fail under normal use, we will repair or replace it for up to one (1) year from date of purchase. Every Whalen Furniture product is designed to meet your highest expectations. We guarantee that you will immediately see the value of our fine furniture.

This warranty gives you specific al rights and you may also have other rights which vary from state to state or province to province.

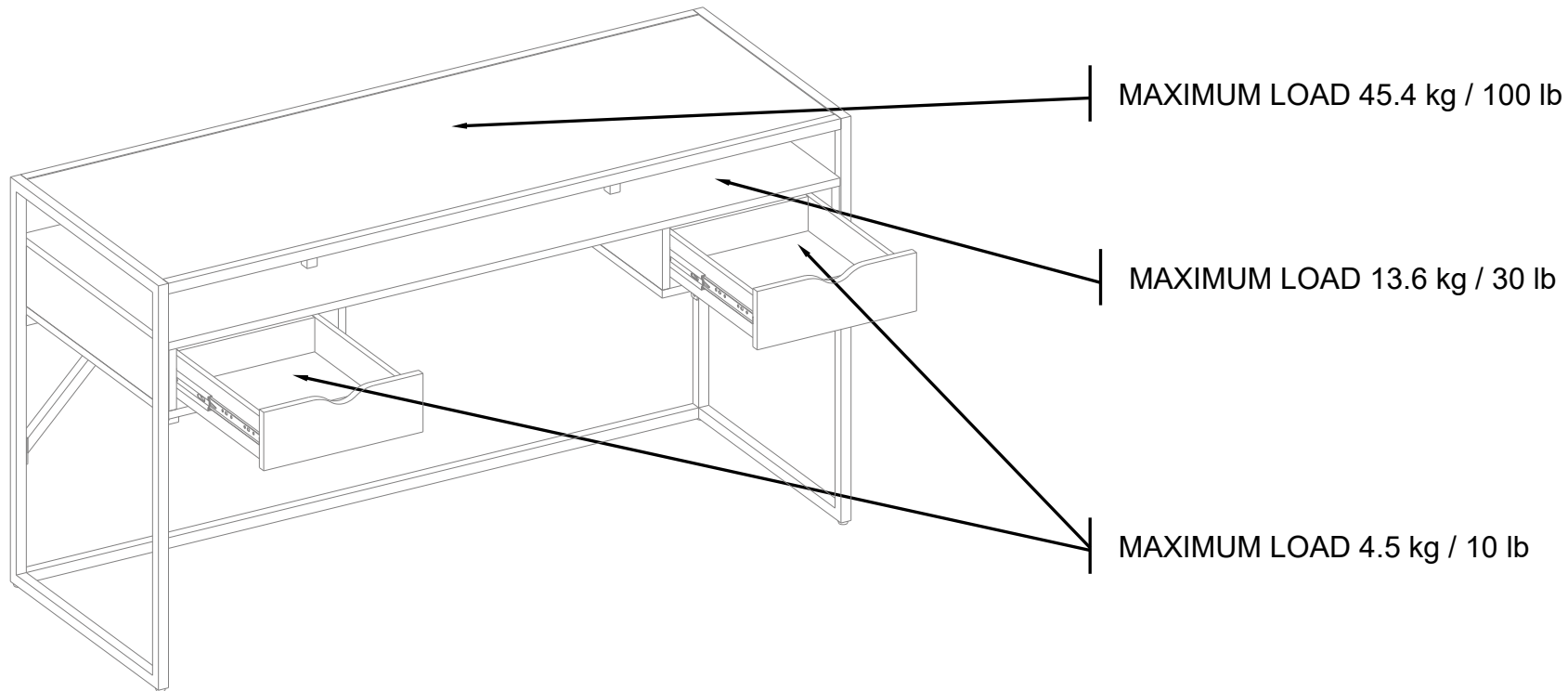
Customer Service: 1-855-MYTGTHOME (855-698-4846)  
8:30 a.m. - 4:30 p.m., PST, Monday to Friday  
[www.whalenfurniture.com](http://www.whalenfurniture.com)

## MAXIMUM RECOMMENDED WEIGHT LOADS

MANUFACTURER: Whalen Furniture Manufacturing

CATALOG: ADA Large Desk

MODEL # TGTD54-1



### WARNING

THIS UNIT IS INTENDED ONLY FOR USE WITHIN THE MAXIMUM WEIGHTS INDICATED. USE WITH LOADS HEAVIER THAN THE MAXIMUM WEIGHTS INDICATED MAY RESULT IN INSTABILITY, CAUSING POSSIBLE INJURY.



The maximum recommended weight allowance is 45.4 kg / 100 lb for desk top.  
The maximum recommended weight allowance is 13.6 kg / 30 lb for open storage shelf.  
The maximum recommended weight allowance is 4.5 kg / 10 lb for drawer.

 **WARNING**

Please use your furniture correctly and safely. Improper use can cause safety hazards, or damage to your furniture or household items. Carefully read the following safety information.

Death or serious injury may occur when children climb on audio and/or video equipment furniture. A remote control or toys placed on the furnishing may encourage a child to climb on the furnishing and as a result may tip over onto the child.

**NEVER** allow children to climb or play with the TV or furnishing supporting the TV.

**NEVER** place toys, food, remote, etc. on top of the TV or TV furnishing.

**ALWAYS** use either the safety hardware as instructed or other wall anchoring device.

Relocating audio and/or video equipment to furniture not specifically designed to support audio and/or video equipment may result in death or serious injury due to furniture collapse or over turning onto a child.

**NEVER** place a TV on furniture that is not intended to support a TV.

**NEVER** exceed the maximum size and weight of the TV shown in the instructions.

Be sure to refer to the TV warning label as shown in the instructions.

Overloading drawers and shelves may result in furniture that can break or sag, or tip-over which may result in injury.

**NEVER** exceed the weight limits shown in the instructions.

Place the heavier items on lower shelves as far back from the front as possible.

Load the bottom surfaces first to avoid top-heavy furniture.

Moving furniture that is not designed to be moved or equipped with casters may result in injury or damage to furnishings or personal property.

**ALWAYS** unload shelves and drawers, starting with the top surfaces, before moving.

**NEVER** push or pull furniture on carpet. Have a friend help lift properly to move and/or reposition it.

**DO NOT** use the desk as a seating surface.

# FURNITURE TIPPING RESTRAINT

YOUNG CHILDREN MAY BE INJURED BY TIPPING FURNITURE AND YOU MUST USE THIS TIPPING RESTRAINT TO ATTACH THIS UNIT TO THE WALL, TO PREVENT ACCIDENTS AND/OR INJURIES.

THIS HARDWARE, MUST BE PROPERLY INSTALLED (FOLLOW ALL DIRECTIONS IN ORDER ON THIS INSTRUCTIONS), TO PROVIDE PROTECTION AGAINST THE UNEXPECTED TIPPING OF FURNITURE DUE TO IMPROPER USE.

THIS PRODUCT IS ONLY A DETERRENT. IT IS NOT A SUBSTITUTE FOR PROPER ADULT SUPERVISION. USE OF TIP-OVER RESTRAINTS MAY ONLY REDUCE, BUT NOT ELIMINATE, THE RISK OF TIP-OVER.

## **WARNING**

- Unit must be placed on a level surface or leveled with included hardware (when applicable).
- Do not sit or stand on or allow children to climb, sit or stand on the assembled product.
- For safety reasons, it is imperative that this unit be mounted to the wall.
- Do not use without installing the tip restraint.
- Unit can tip over causing severe injury or death.
- Never open more than one drawer at a time.
- Do not exceed the recommended weight limits.
- Evenly distribute the weight on each level and always keep the heavier loads on the bottom.
- Before cutting, drilling or hammering into any wall or floor surface, verify the location of electrical, plumbing and gas lines. Cutting may cause serious injury.



