

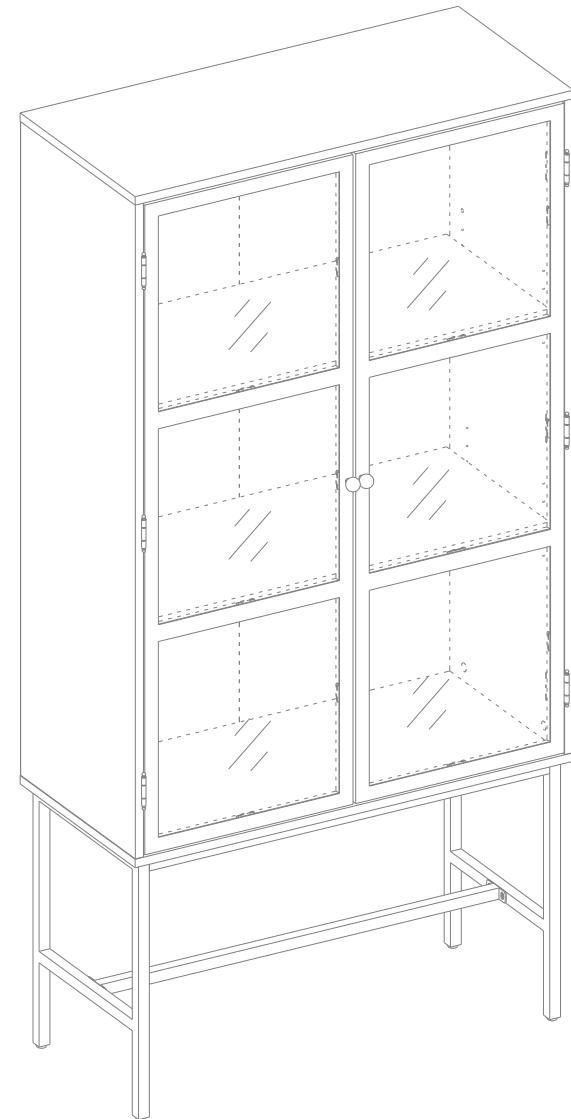


THRESHOLDTM_{MC}

Glass Door Library Cabinet

Style #: TGTTCM

DPC-item #: 249-17-2821



>> [Assembly instructions](#)




Congratulations on your latest Target purchase.

Now what? Don't start sweating over this box of parts. This will be easy. We did the hard work for you. All you need to do is follow our simple instructions and you'll be on your way to transforming your room in no time. Good luck – though we're confident you won't need it.

before you begin




1. Check for damaged or missing parts. Call 1-855-MYTGTHOME (855-698-4846) to order missing supplies.
2. Use the carton as a work surface to prevent product damage during assembly.
3. Gather all tools prior to assembly.

Before you begin

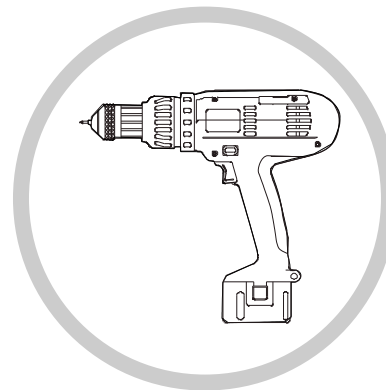
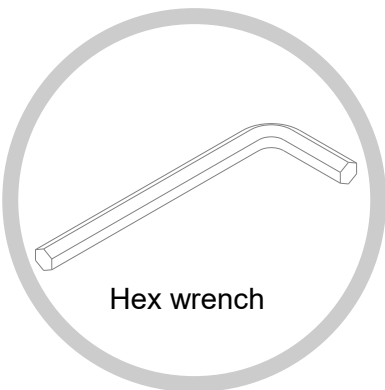


3D-GUIDED INTERACTIVE ASSEMBLY INSTRUCTIONS CAN BE FOUND IN BILT[®]

DOWNLOAD THE **FREE** APP



tool needed (only hex wrench included)



For tipping restraint hardware kit only.

⚠ WARNING



**Children have died from furniture tipover.
To reduce the risk of furniture tipover:**

- ALWAYS install tipover restraint provided.
- NEVER put a TV on this product.
- NEVER allow children to stand, climb or hang on drawers, doors, or shelves.
- NEVER open more than one drawer at a time.
- Place heaviest items in the lowest drawers.

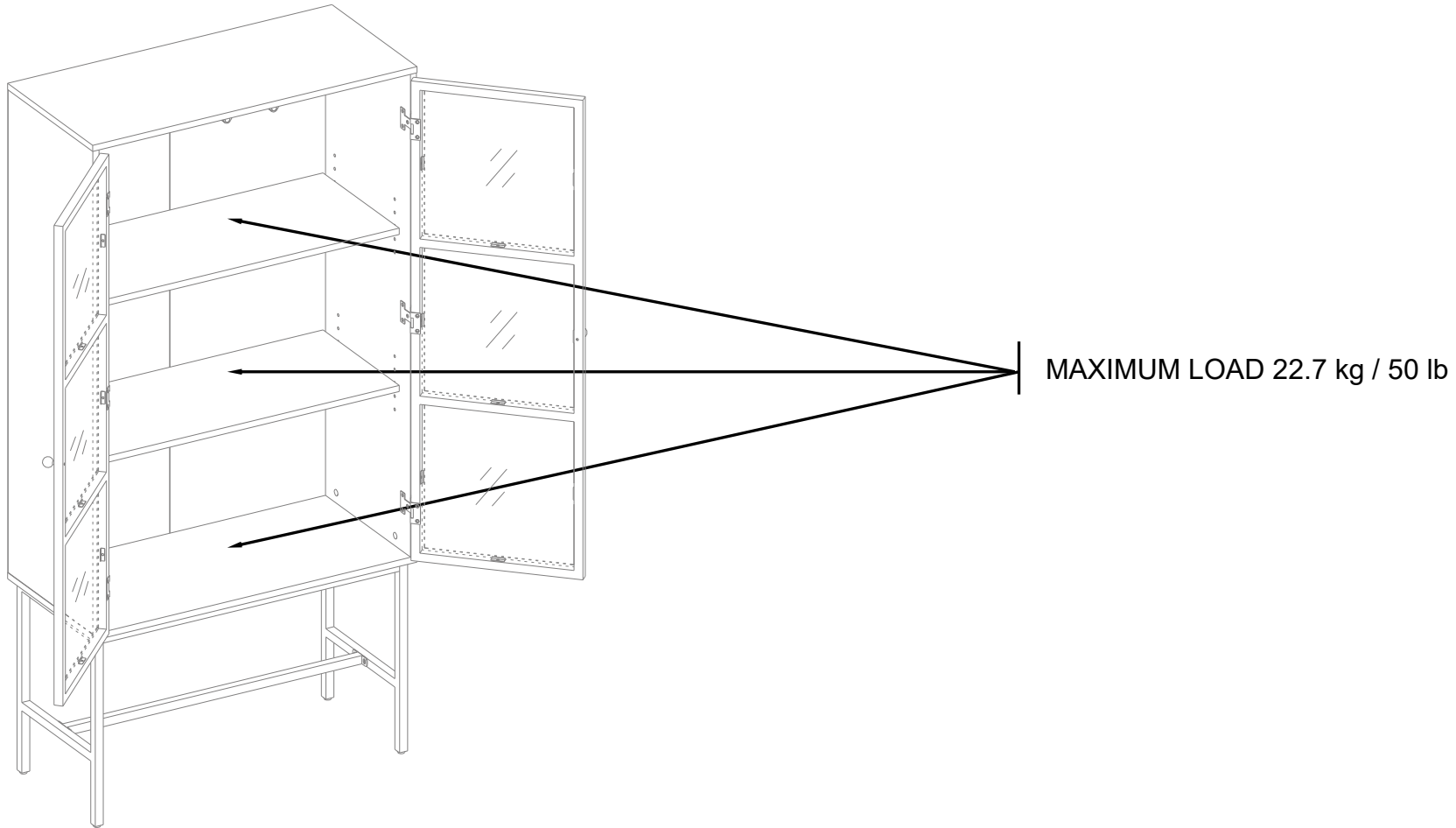
**Use of tip-over restraints may only reduce,
but not eliminate, the risk of tip-over.**

MAXIMUM RECOMMENDED WEIGHT LOADS

MANUFACTURER: Whalen Furniture Manufacturing

CATALOG: Glass Door Library Cabinet

MODEL # TGTTMC



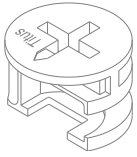
MAXIMUM LOAD 22.7 kg / 50 lb



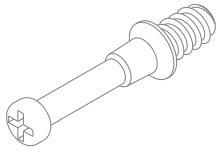
THIS UNIT IS INTENDED ONLY FOR USE WITHIN THE MAXIMUM WEIGHTS INDICATED. USE WITH LOADS HEAVIER THAN THE MAXIMUM WEIGHTS INDICATED MAY RESULT IN INSTABILITY, CAUSING POSSIBLE INJURY.

hardware

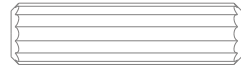
(H1) x 8
Cam lock



(H2) x 8
Cam bolt



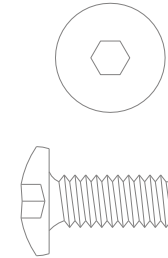
(H3) x 8
M8 x 30 mm wood dowel



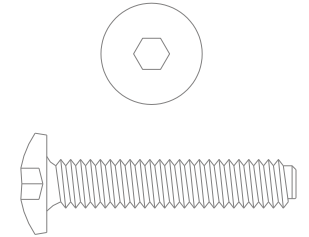
(H4) x 24
M4 x 12 mm bolt



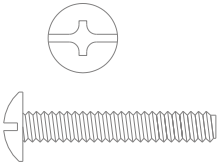
(H5) x 8
1/4" x 5/8" bolt



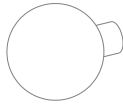
(H6) x 8
1/4" x 1-1/4" bolt



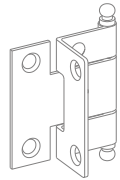
(H7) x 2
Knob bolt



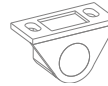
(H8) x 2
knob



(H9) x 6
door hinge



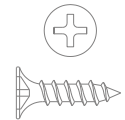
(H10) x 2
door catch



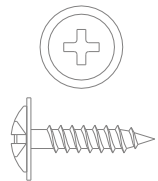
(H11) x 8
shelf support



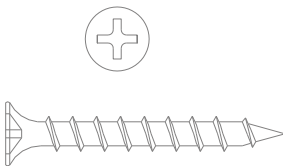
(H12) x 30
M3.5 x 12 mm
flat head screw



(H13) x 24
M3.5 x 15 mm
washer head screw



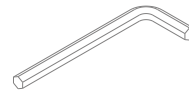
(H14) x 5
M4 x 35 mm screw



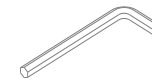
(H15) x 8
cam lock cover



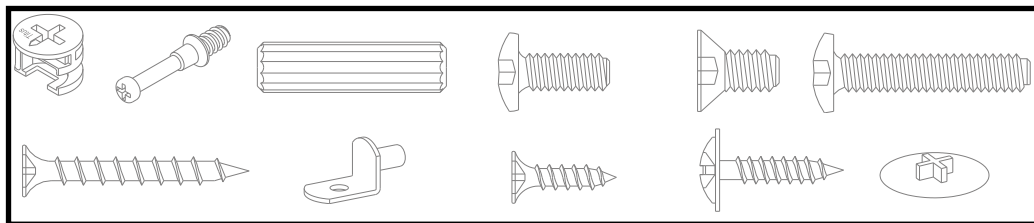
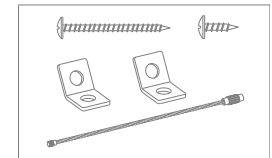
(H16) x 1
large hex wrench



(H17) x 1
small hex wrench



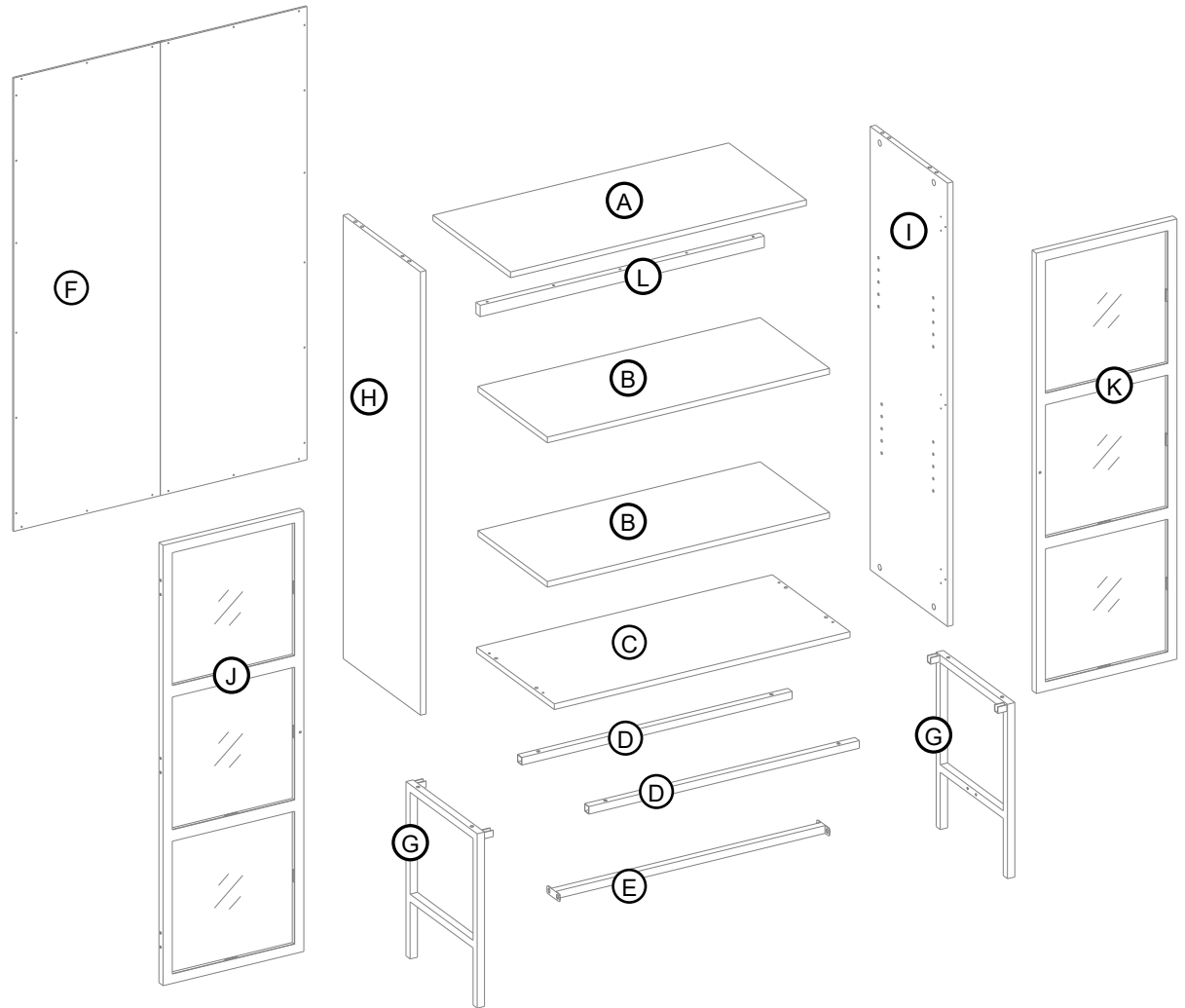
(H18) x 2
tipping restraint hardware kit
(inside plastic bag)



Spare hardware

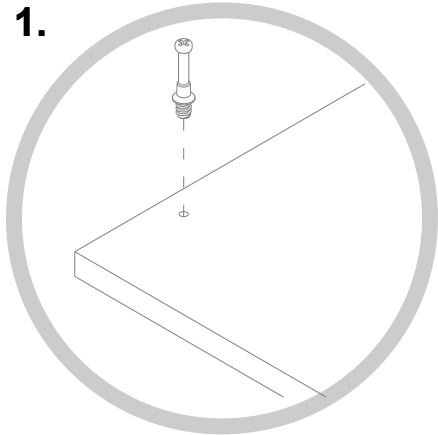
exploded diagram

ITEM	DESCRIPTION	QTY
A	Top panel	1
B	Adjustable shelf	2
C	Bottom panel	1
D	Middle stretcher	2
E	Bottom stretcher	1
F	Back panel	1
G	Side frame	2
H	Left side panel	1
I	Right side panel	1
J	Left door	1
K	Right door	1
L	Top stretcher	1



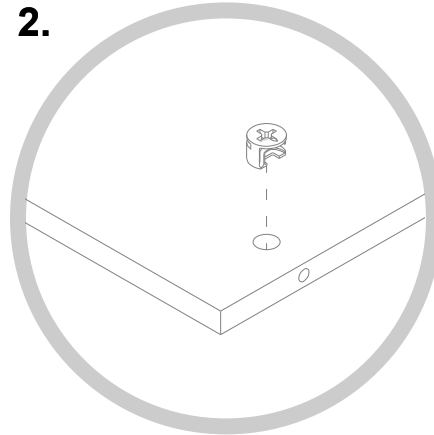
how to use the cam lock system

1.



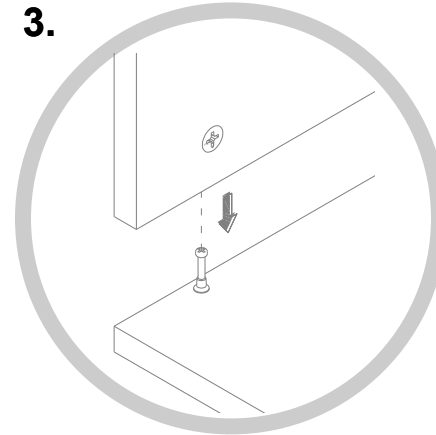
Screw cam bolt into panel

2.



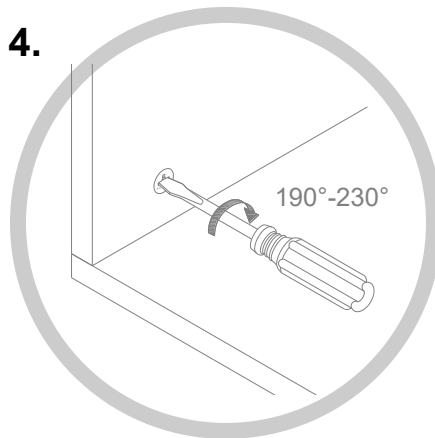
Push cam into panel - arrow feature on cam top points to panel edge

3.



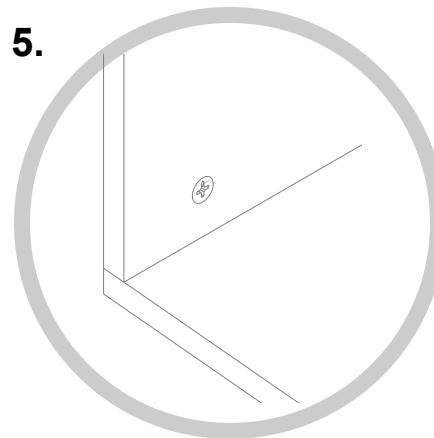
Align cam bolt(s) with cam(s) and insert all the way into cross-bored hole(s)

4.



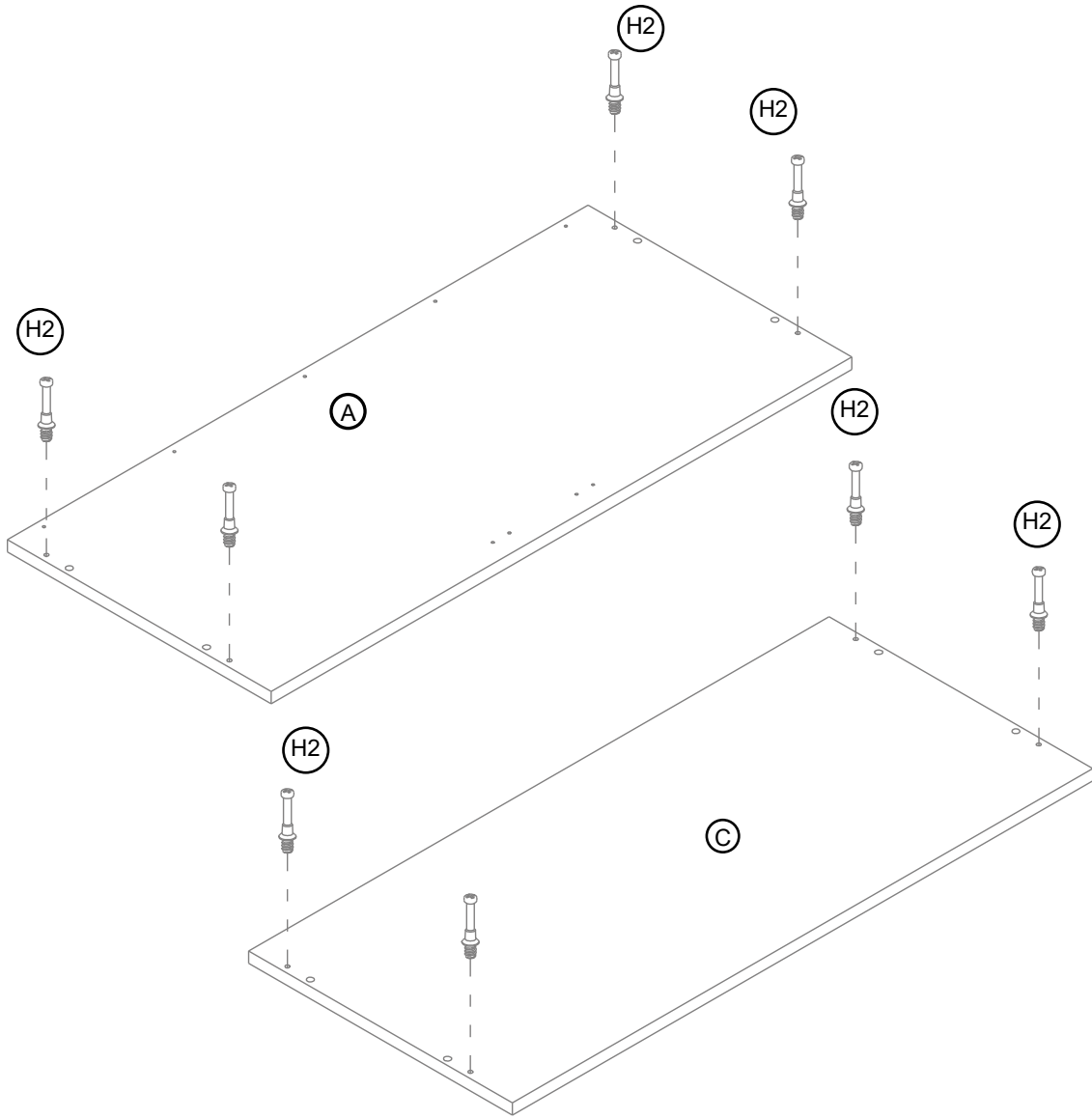
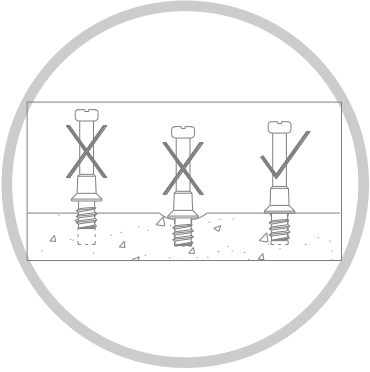
Rotate cam(s) clockwise 190°-230° to lock panels together

5.

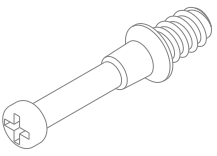


Panels should be tight against each other and connection should be rigid

step 1: Screw in the cam bolts



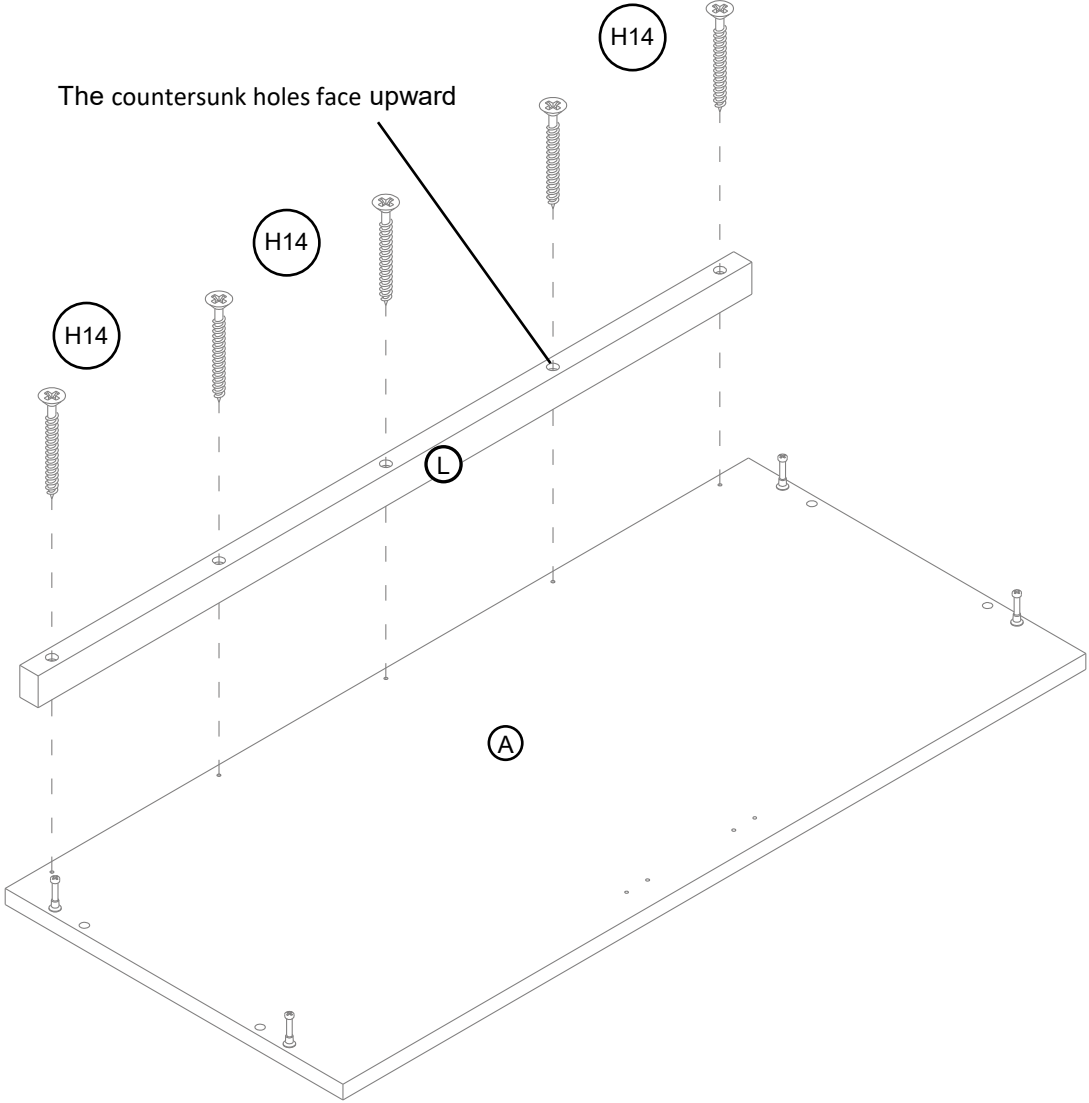
(H2) x 8
cam bolt



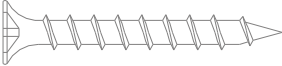
1.1. Securely screw the cam bolts into the designated small holes on the top and bottom panels (A and C).

step 2: Fasten the top stretcher to the top panel

The countersunk holes face upward



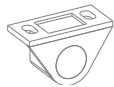
(H14) x 5
M4 x 35 mm screw



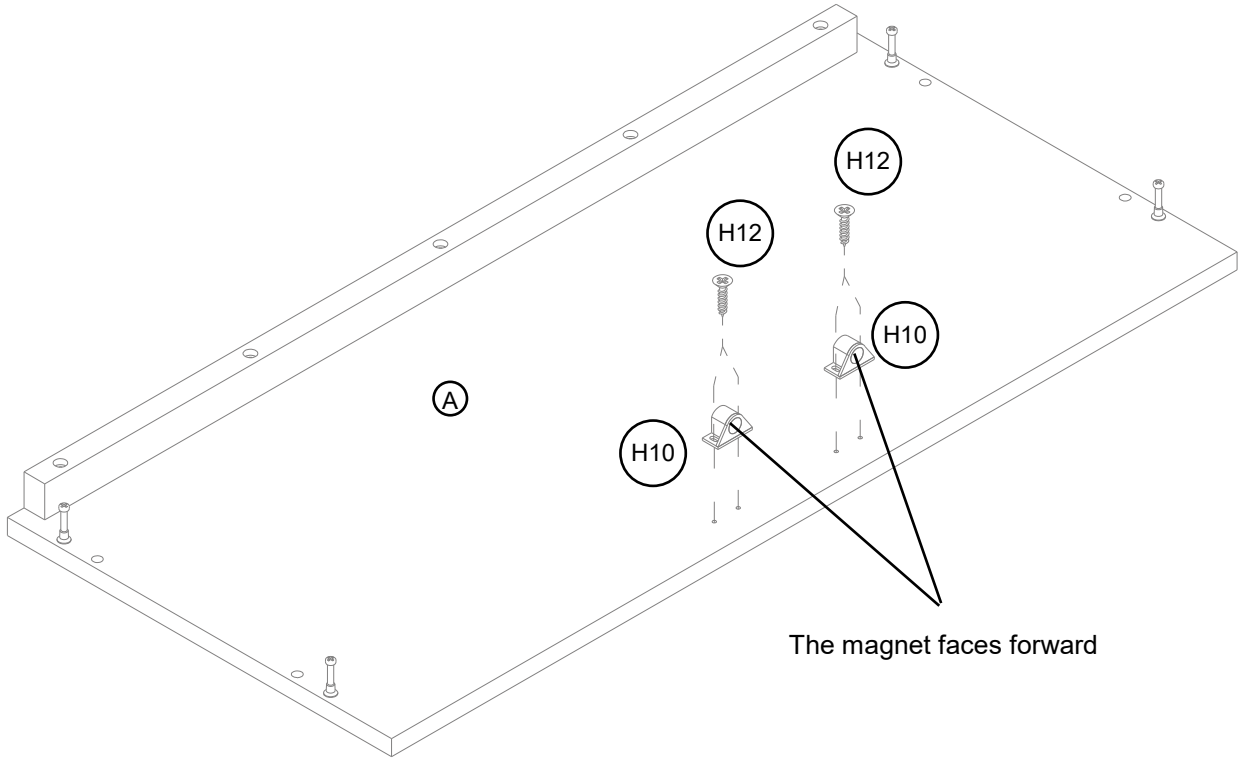
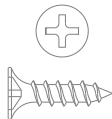
2.1. Insert five 35 mm screws (H14) through the countersunk holes on the top stretcher (L) and securely screw into the top panel (A).

step 3: Attach the door catch to the top panel

(H10) x 2
door catch

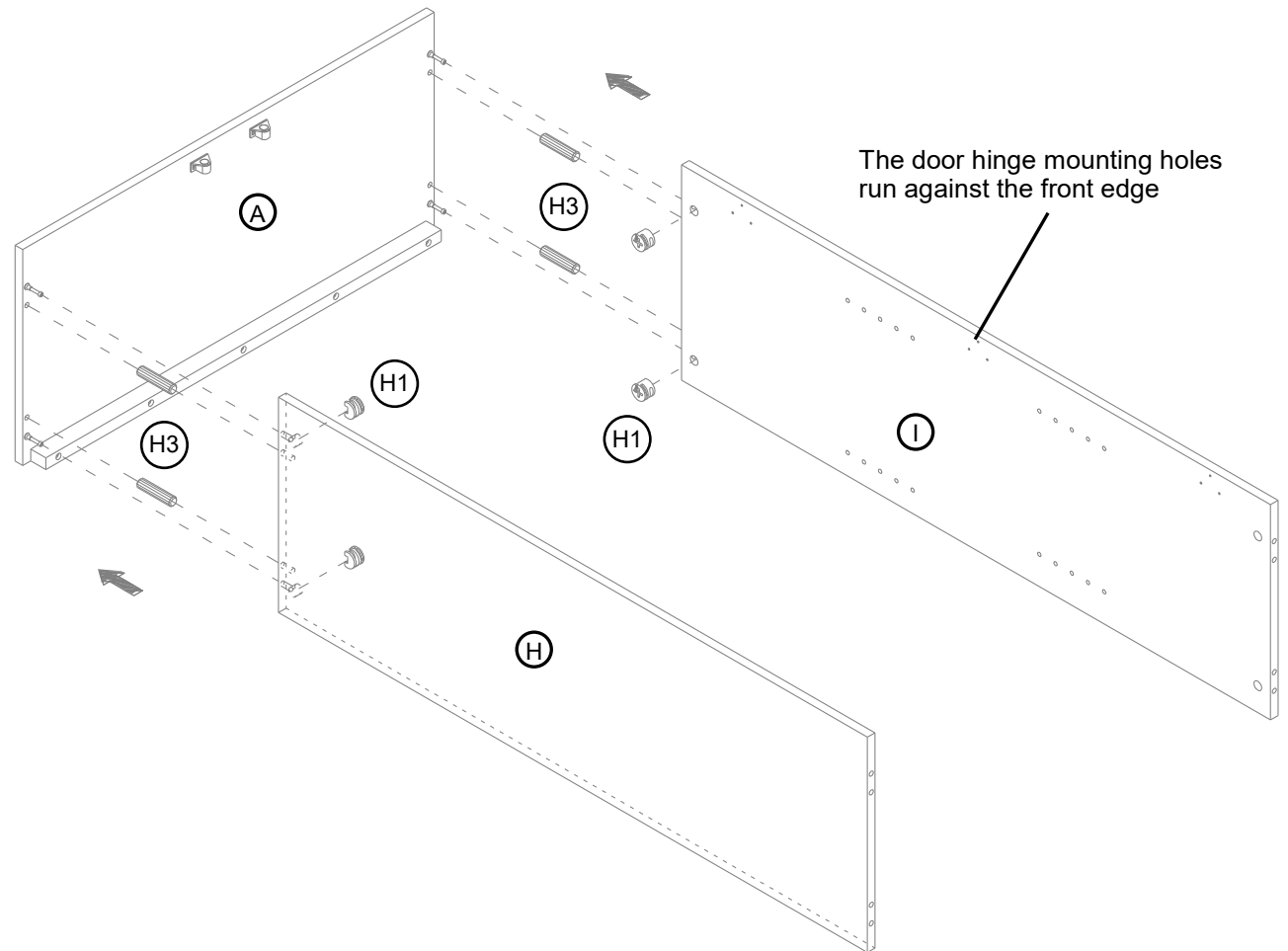
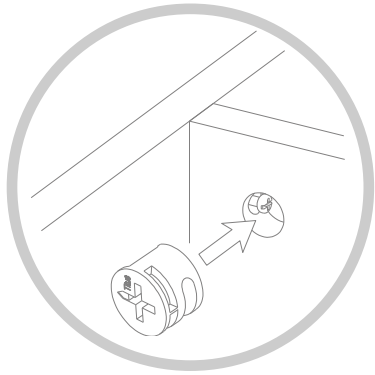


(H12) x 4
M3.5 x 12 mm
flat head screw

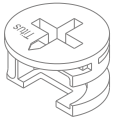


3.1. Using the pilot holes as a guide, attach two door catches (H10) to the top panel (A) as shown, with two 12 mm screws (H12) in each.

step 4: Attach the side panels to the top panel



(H1) x 4
Cam lock



(H3) x 4
M8 x 30 mm wood dowel



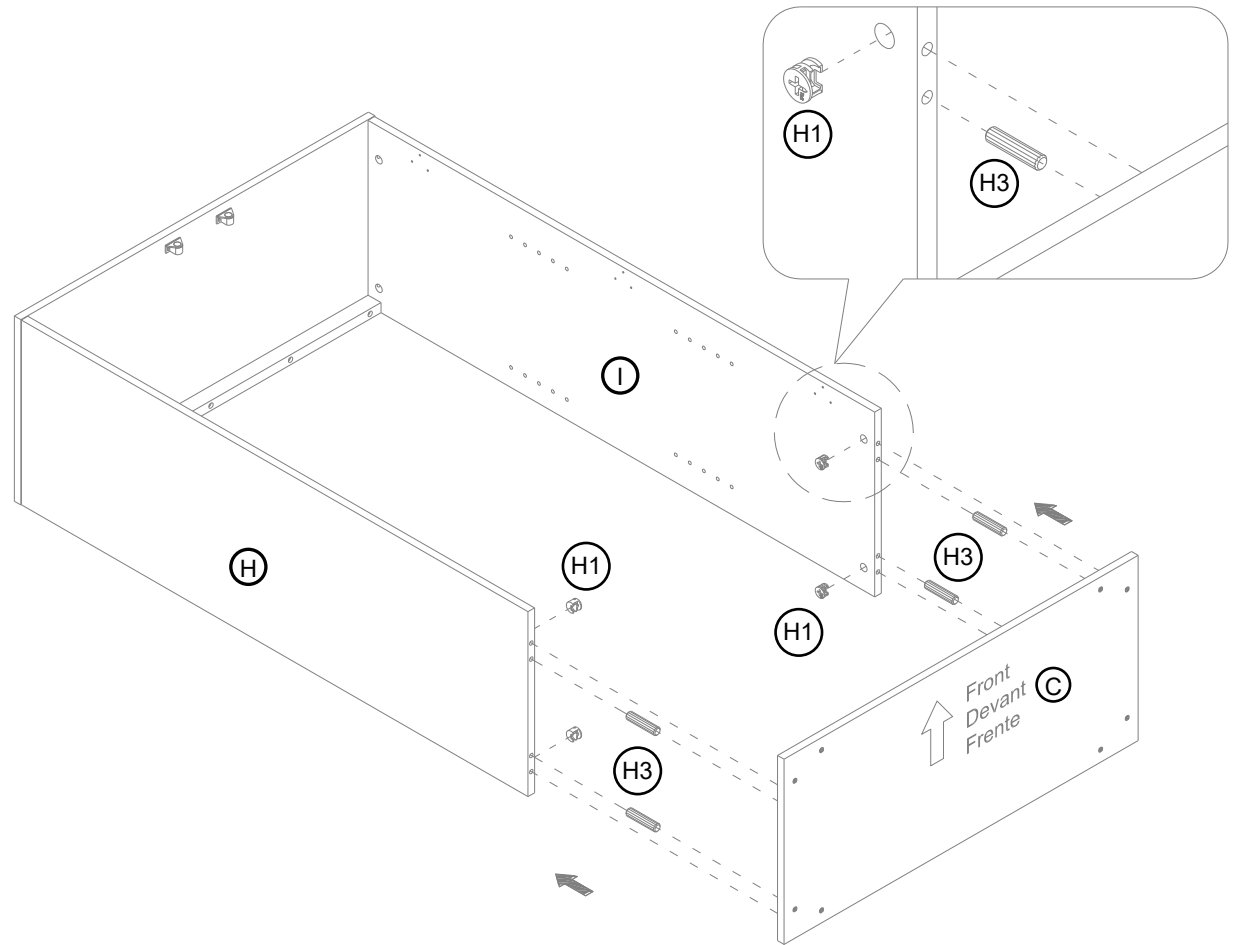
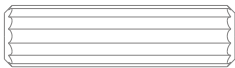
- 4.1. Insert two wood dowels (H3) into the top inner holes of each left and right side panels (H and I).
- 4.2. Secure the side panels (H and I) to the top panel (A) using four cam locks (H1).

step 5: Attach the bottom panel to the side panels

(H1) x 4
Cam lock

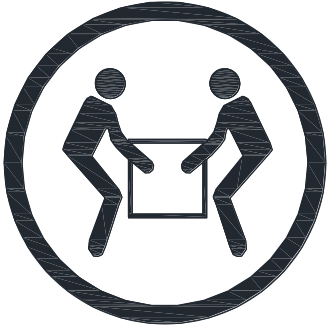


(H3) x 4
M8 x 30 mm wood dowel



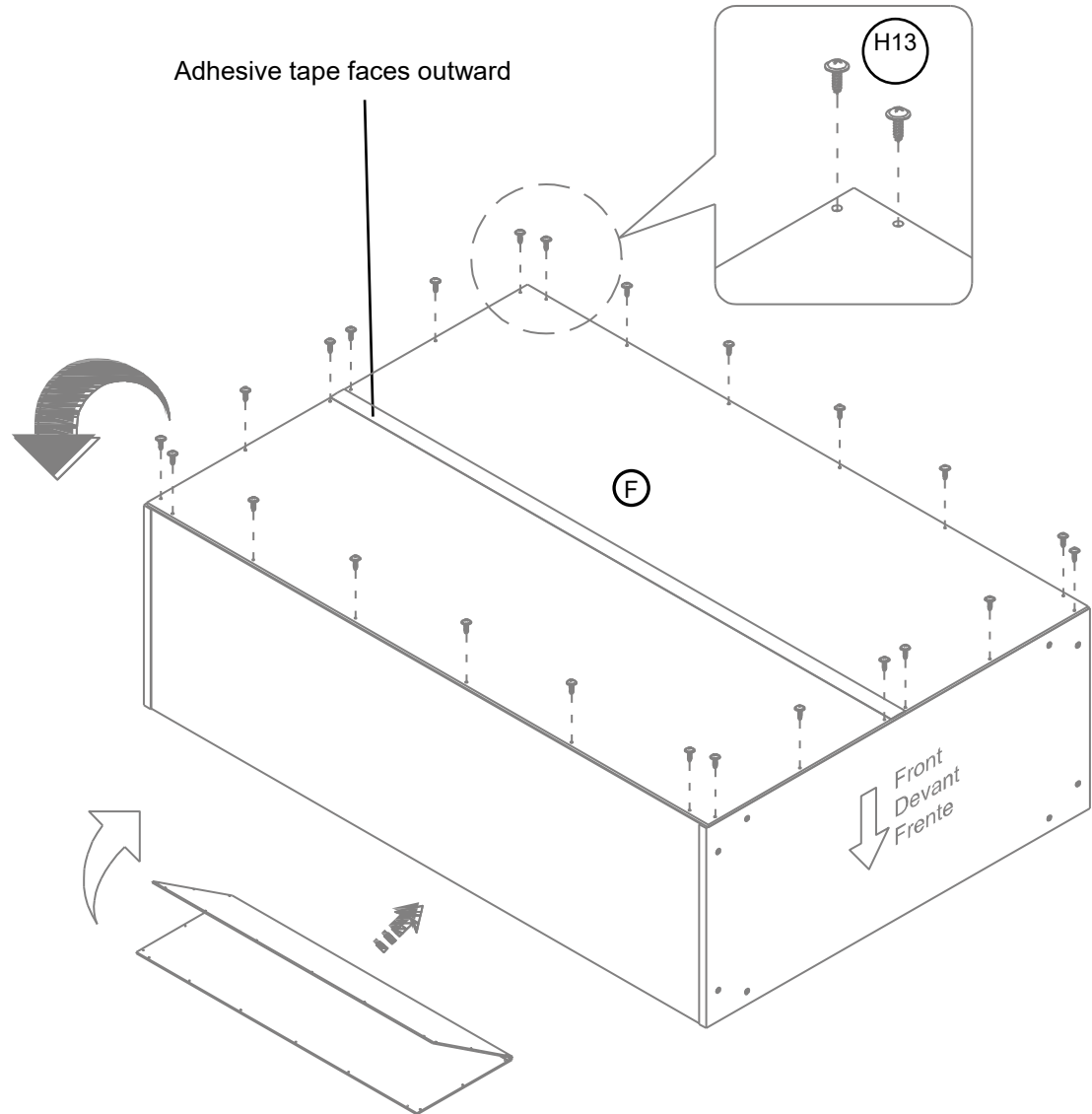
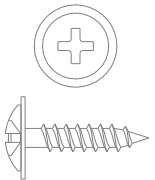
- 5.1. Insert two wood dowels (H3) into the bottom inner holes of each left and right side panels (H and I).
- 5.2. Align and attach the bottom panel (C) to the side panels (H and I) using four cam locks (H1) as shown.

step 6: Attach the back panel to the frame



CAUTION: Heavy! You may need assistance with this step.

(H13) x 24
M3.5 x 15 mm
washer head screw

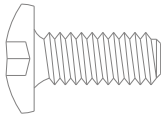
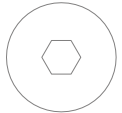


- 6.1. With the help of another adult, flip the previous assembly around on its front edges.
- 6.2. Align the back panel (F) with the pilot holes on the assembly as shown. Attach using the washer head screws (H13) provided.

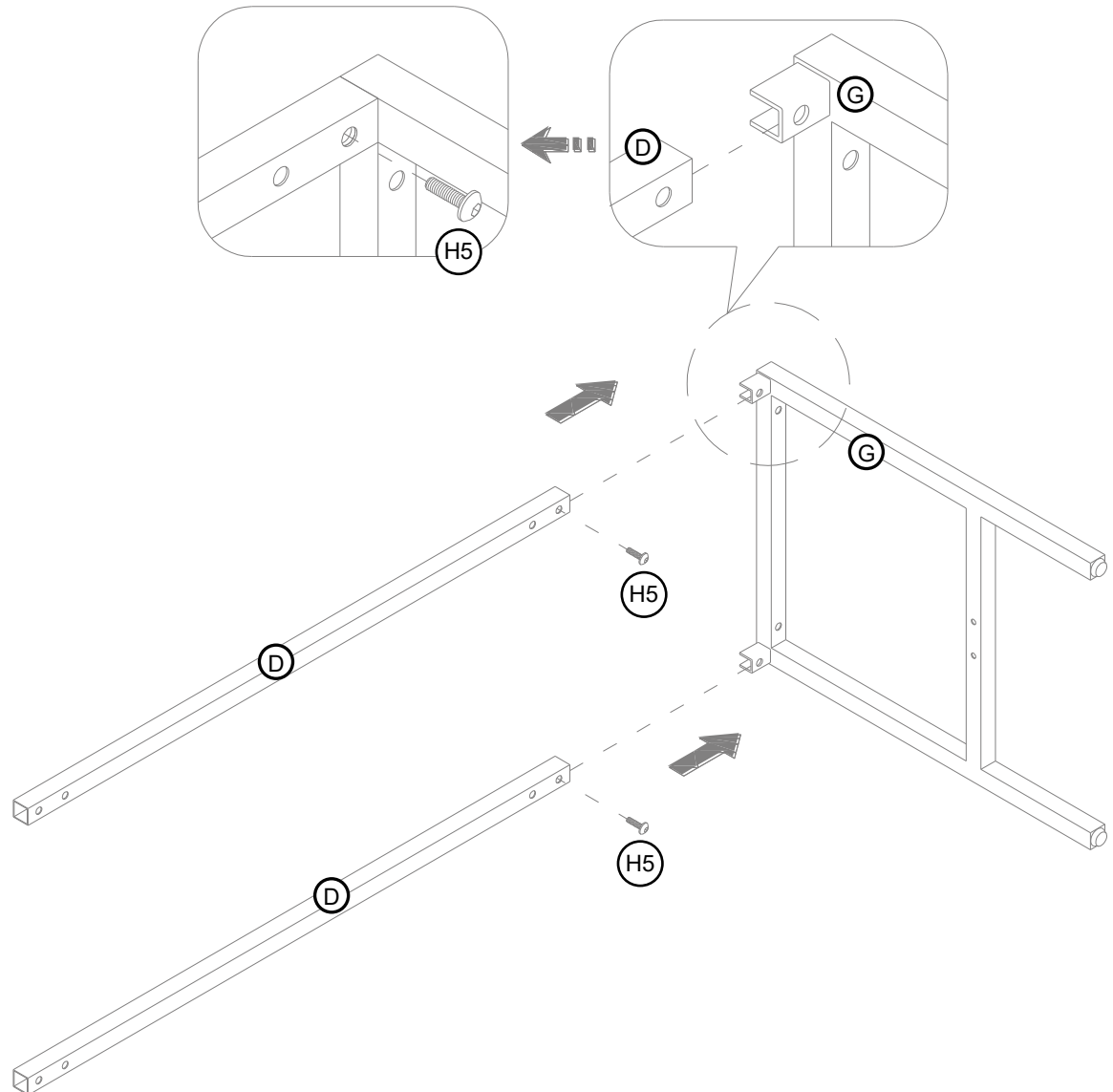
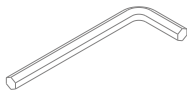
step 7: Attach the middle stretchers to the side frame

NOTE: DO NOT fully tighten all bolts until you finish assembling all parts. Once assembled, go back and fully tighten all bolts. This will make the assembly easier.

(H5) x 2
1/4" x 5/8" bolt



(H16) x 1
large hex wrench

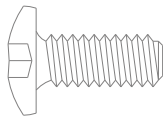
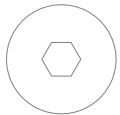


7.1. Align and fit two middle stretchers (D) to one side frame (G) and secure with two 5/8" bolts (H5).

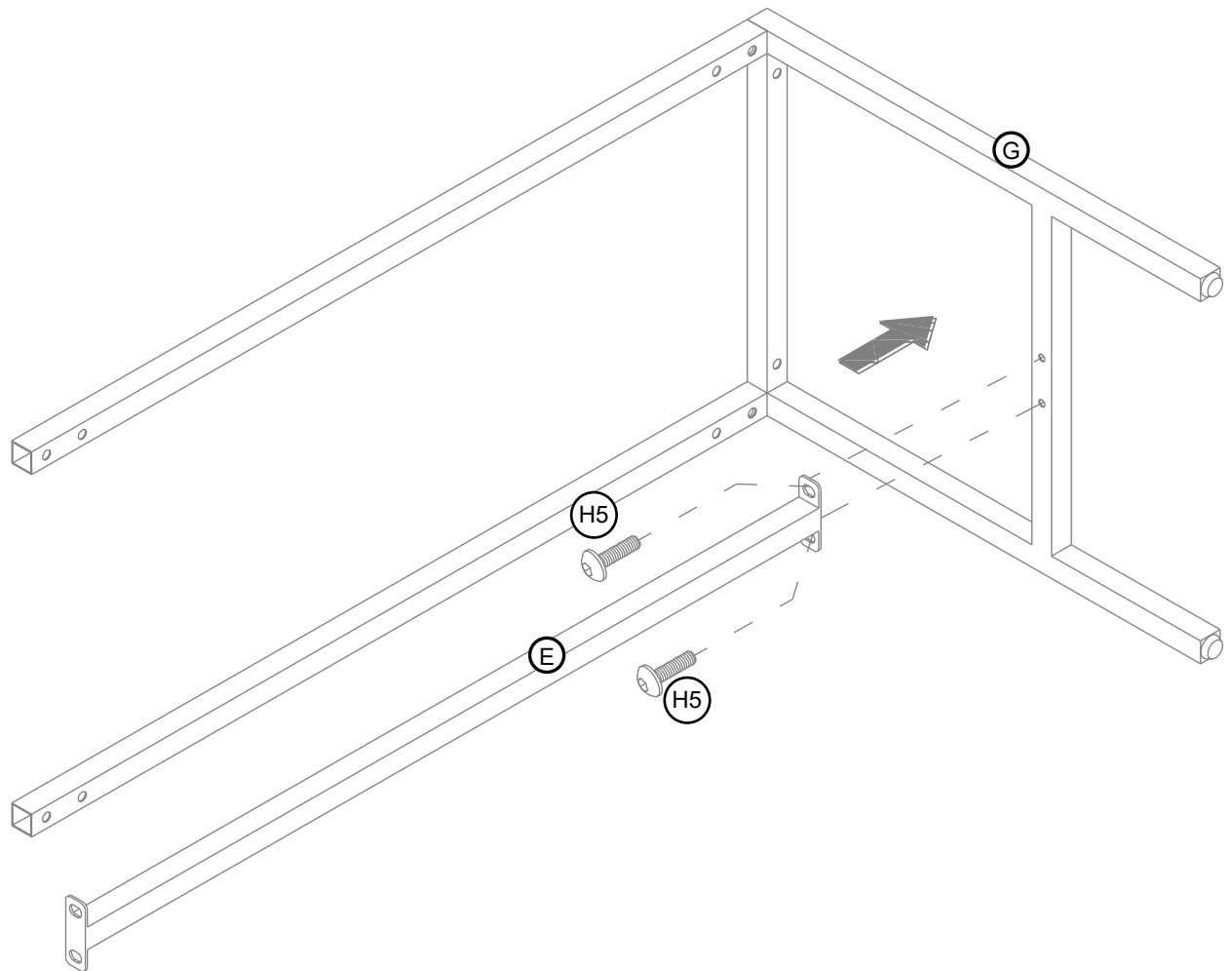
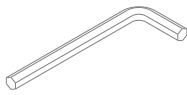
step 8: Attach the bottom stretcher to the side frame

NOTE: DO NOT fully tighten all bolts until you finish assembling all parts. Once assembled, go back and fully tighten all bolts. This will make the assembly easier.

(H5) x 2
1/4" x 5/8" bolt



(H16) x 1
large hex wrench



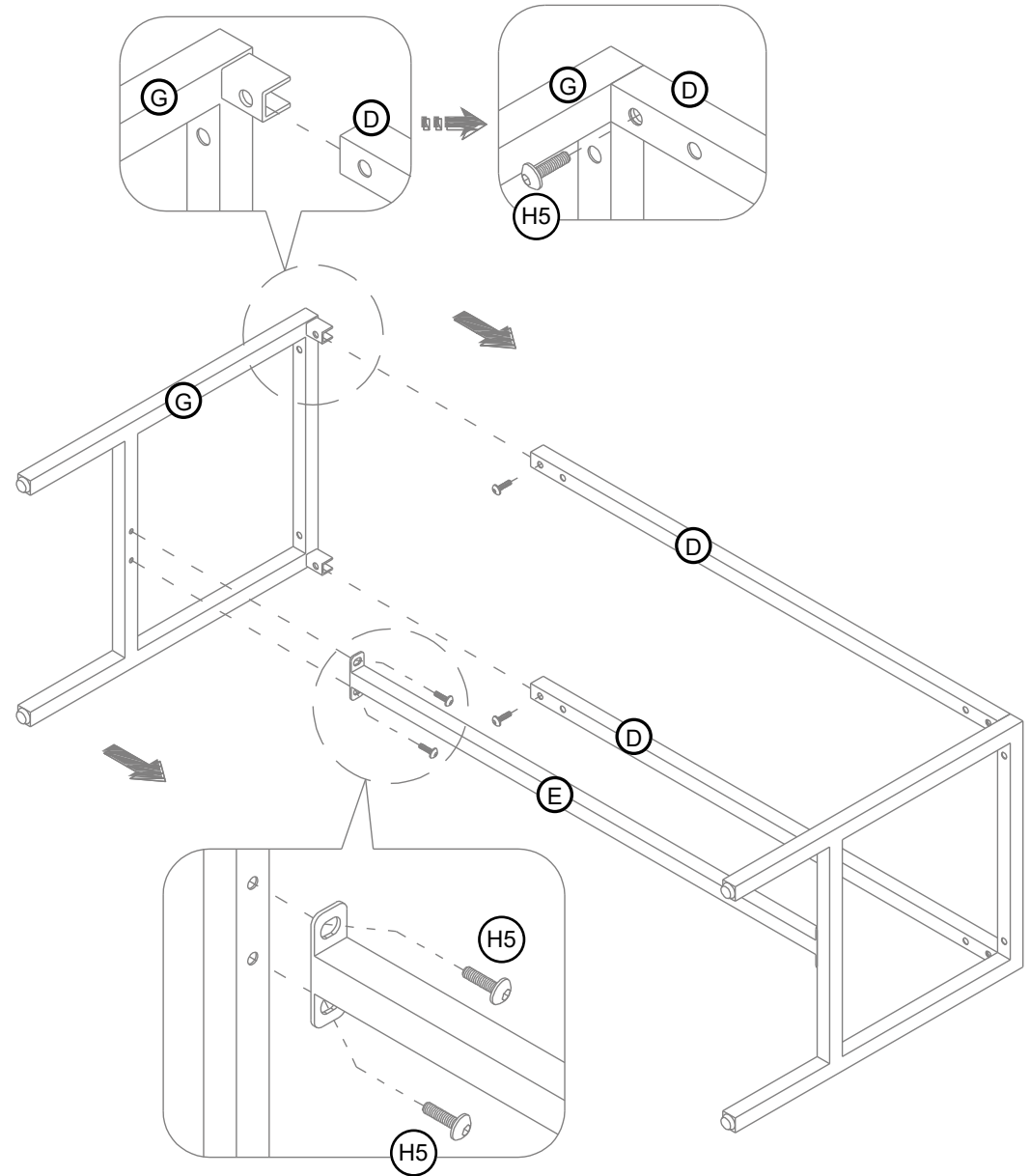
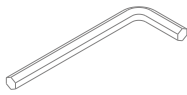
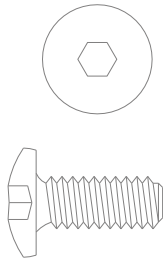
8.1. Attach the bottom stretcher (E) to the side frame (G) using two 5/8" bolts (H5).

step 9: Attach the other side frame to the stretchers

NOTE: DO NOT fully tighten all bolts until you finish assembling all parts. Once assembled, go back and fully tighten all bolts. This will make the assembly easier.

(H5) x 4
1/4" x 5/8" bolt

(H16) x 1
large hex wrench



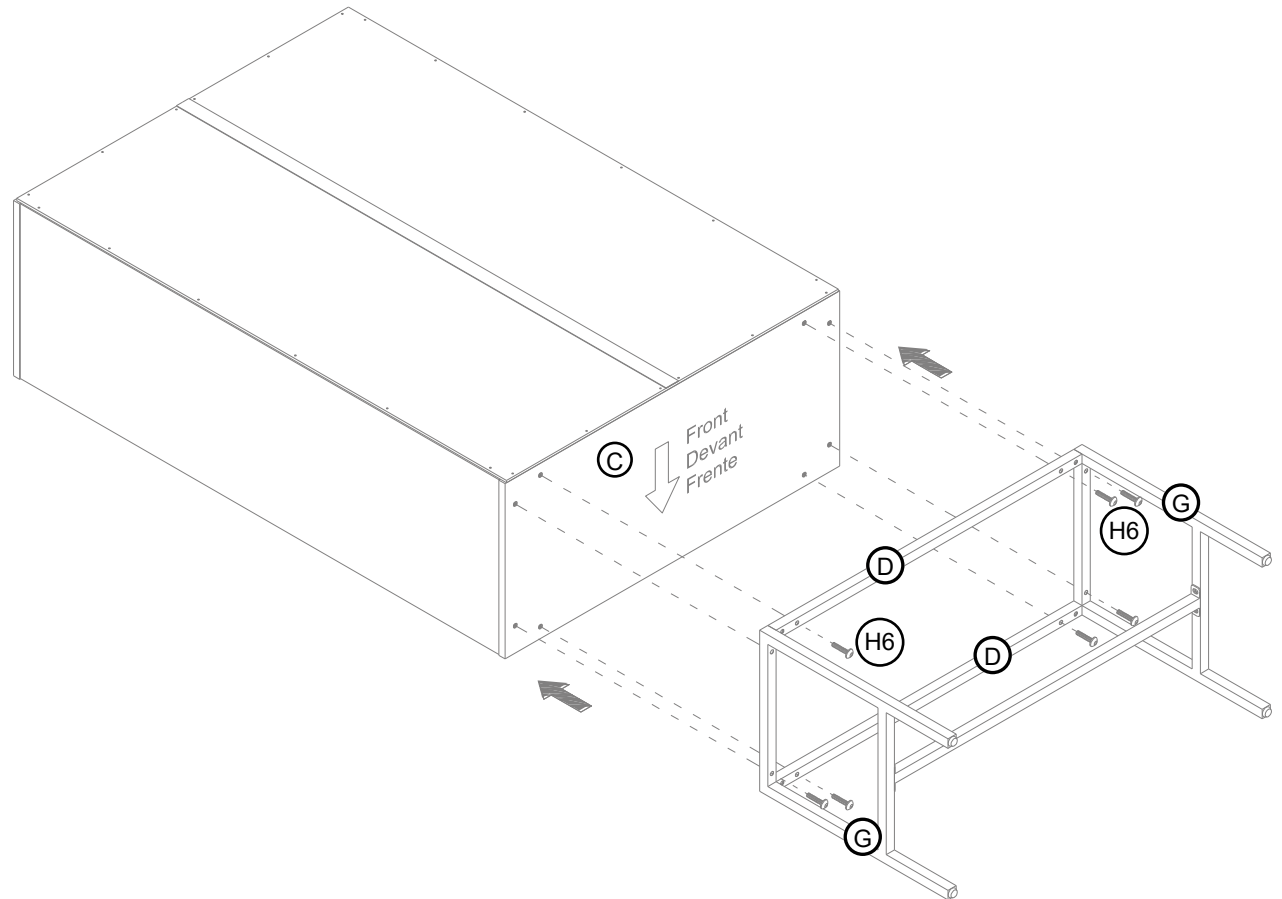
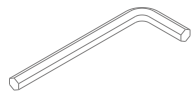
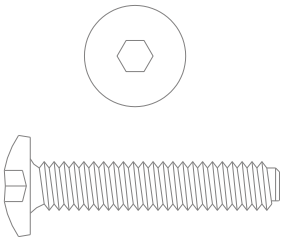
9.1. Repeat the same procedure to attach the other side frame (G) at the opposite end.

step 10: Attach the base to the bottom panel

NOTE: DO NOT fully tighten all bolts until you finish assembling all parts. Once assembled, go back and fully tighten all bolts. This will make the assembly easier.

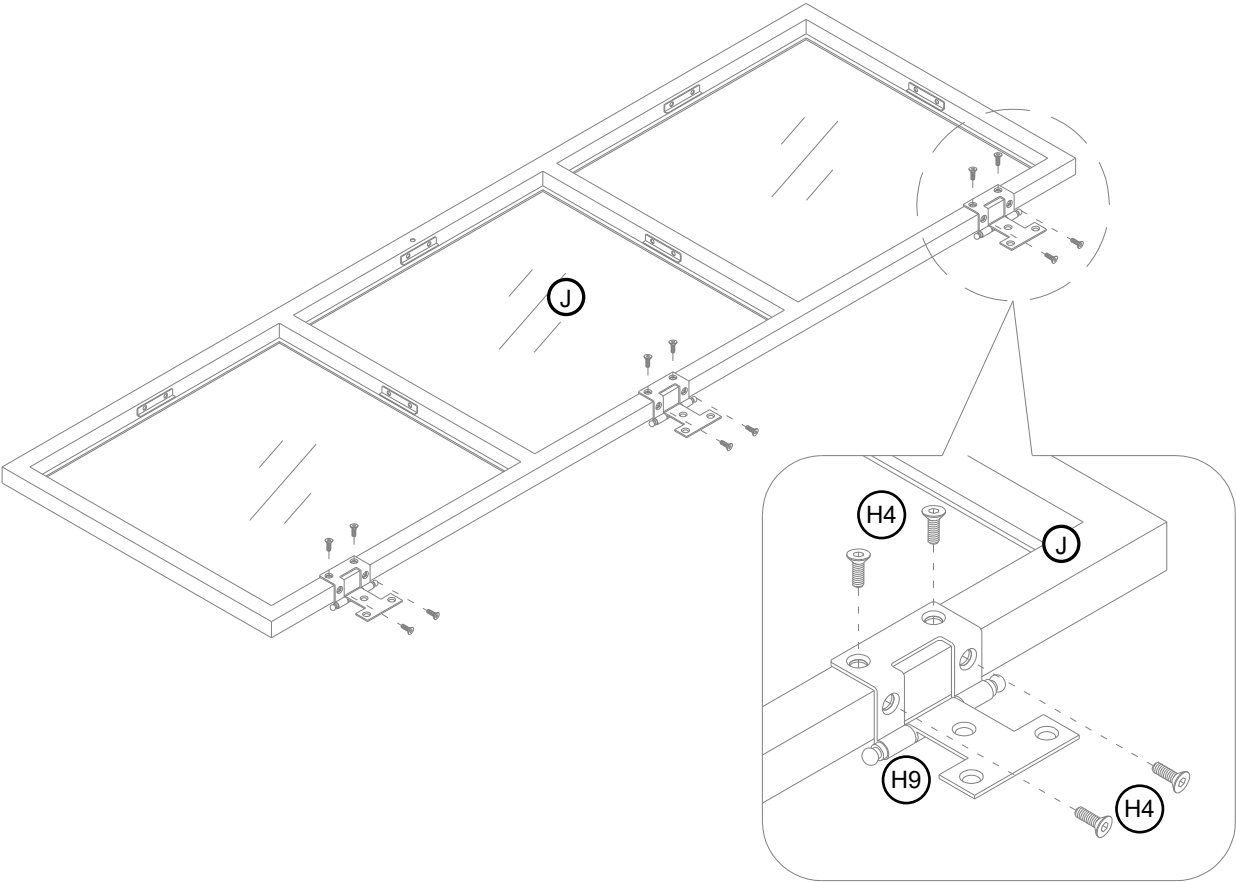
(H6) x 8
1/4" x 1-1/4" bolt

(H16) x 1
large hex wrench

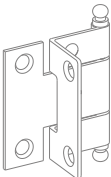


10.1. Insert eight 1-1/4" bolts (H6) through the mounting holes on the middle stretchers (D and side frames (G) and screw into the bottom panel (C).

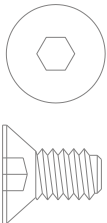
step 11: Attach door hinges to the left door



(H9) x 3
door hinge



(H4) x 12
M4 x 12 mm bolt

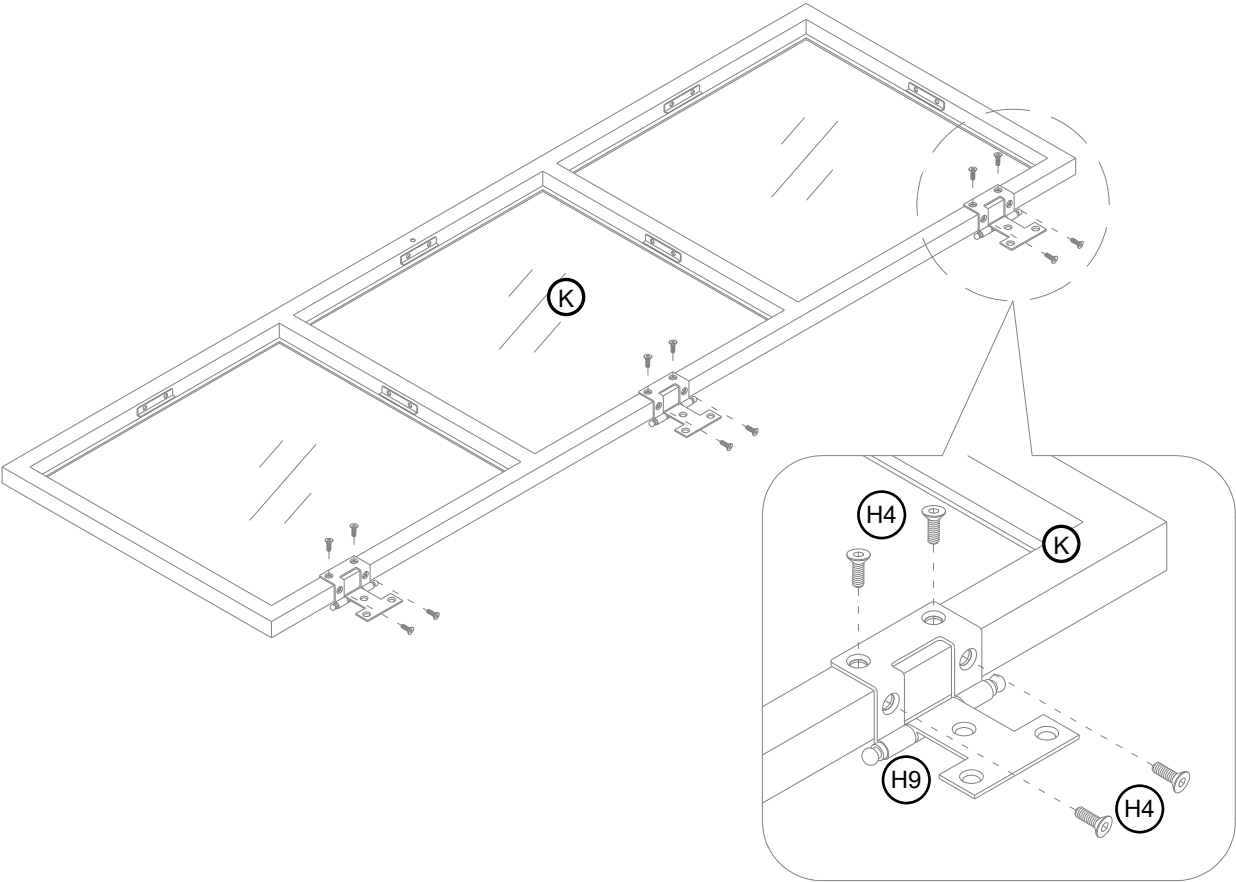


(H17) x 1
small hex wrench

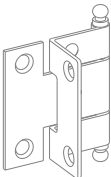


11.1. Align and attach 3 door hinges (H9) to the left door (J), using four 12 mm bolts (H4) per hinge as shown.

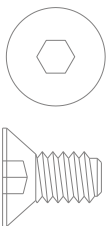
step 12: Attach door hinges to the right door



(H9) x 3
door hinge



(H4) x 12
M4 x 12 mm bolt

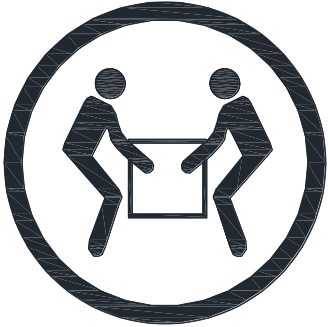


(H17) x 1
small hex wrench

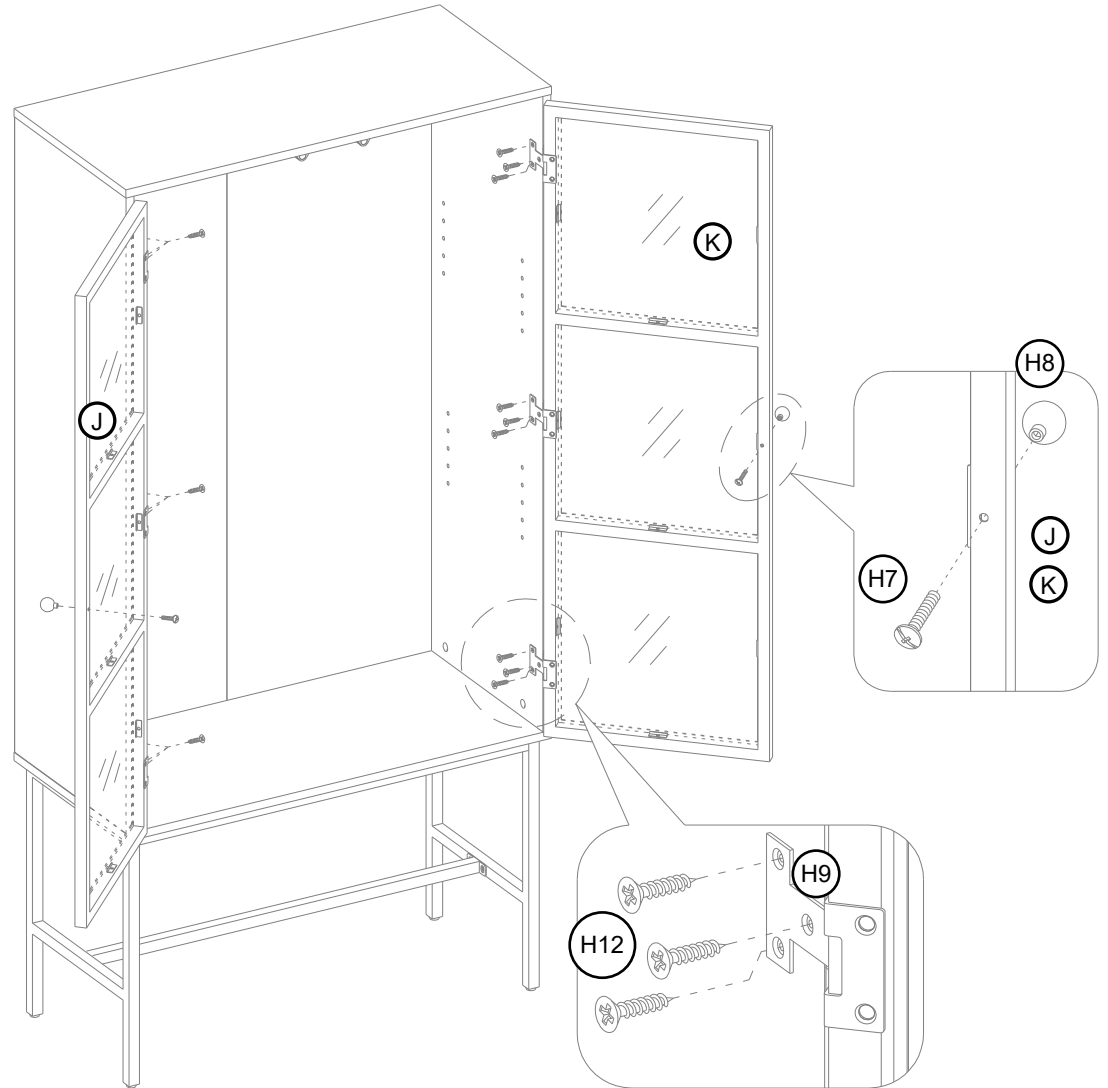


12.1. Align and attach 3 door hinges (H9) to the right door (K), using four 12 mm bolts (H4) per hinge as shown.

step 13: Attach the doors and knobs



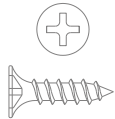
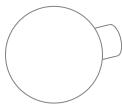
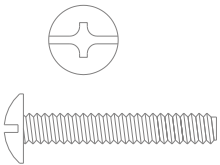
CAUTION: Heavy! You may need assistance with this step.



(H7) x 2
Knob bolt

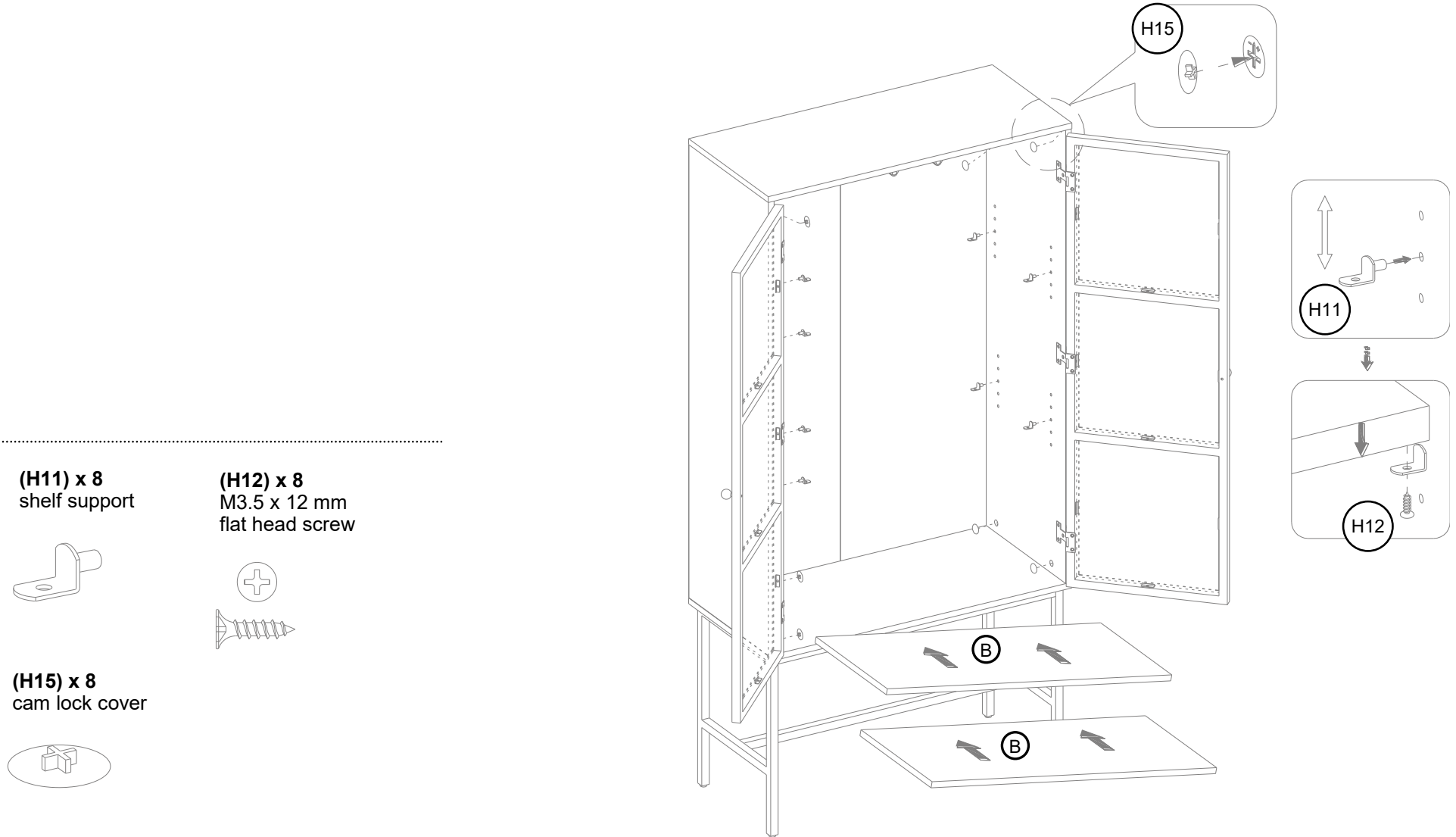
(H8) x 2
knob

(H12) x 18
M3.5 x 12 mm
flat head screw



- 13.1. Ask for assistance to lift the assembled unit upright and position it near the final location.
- 13.2. Using the pilots holes as a guide, attach the left and right doors (J and K) to the side panels (H and I) respectively.
- 13.3. Fasten the knob (H8) to the front side of each doors (J and K).

step 14: Install the adjustable shelves

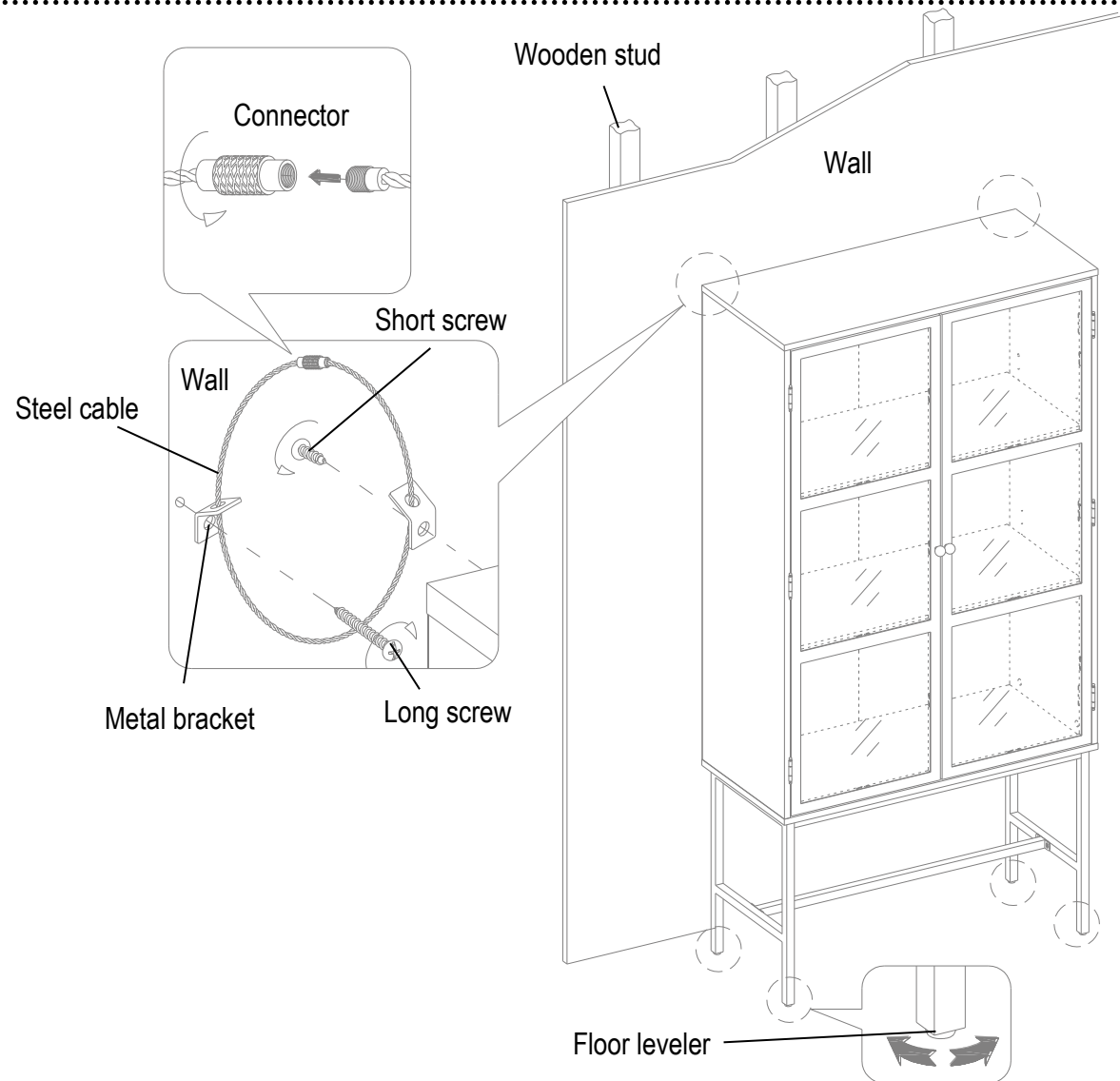
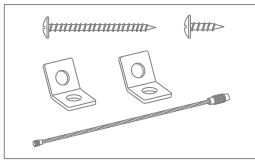


- 14.1. Insert eight shelf supports (H11) into the assembly at the desired heights. Make sure you place the four shelf supports in the same level so the shelf is not tilted.
- 14.2. Tilt and rest adjustable shelves (B) on the shelf supports (H11) and secure them into place using the 12 mm screws (H12).
- 14.3. Plug the cam lock covers (H15) into the visible cam locks to conceal the cams.

step 15: Attach tipping restraint hardware



(H18) x 2
tipping restraint hardware kit
(inside plastic bag)



Tools required: Phillips screwdriver, stud finder, tape measure, pencil, power drill and 1/8" drill bit.

15.1. Adjust the pre-attached floor levelers to level the unit against a wall.

15.2. Follow the instructions printed on plastic bag containing tipping restraint hardware to attach tip-over restraint between the unit and the wall.

NOTE: You must use this tipping restraint to attach this unit to the wall, to prevent accidents and / or injuries.

Care and Maintenance

- Use a soft, clean cloth that will not scratch the surface when dusting.
- Use of furniture polish is not necessary. Should you choose to use polish, test first in an inconspicuous area.
- Using solvents of any kind on your furniture may damage the finish.
- Never use water to clean your furniture as it may cause damage to the finish.
- Always use coasters under beverage glasses and flowerpots.
- Liquid spills should be removed immediately. Using a soft, clean cloth, blot the spill gently. Avoid rubbing.
- Always use protective pads under hot dishes and plates. Heat can cause chemical changes that may create spotting within the furniture finish.
- Stains or marks from crayons or ink markers will be difficult to remove.
- In the event that your furniture is stained or otherwise damaged during use, we recommend that you call a professional to repair your furniture.
- Check bolts/screws and nuts periodically and tighten them if necessary.

Further Advice about Wood Furniture Care

It is best to keep your furniture in a climate-controlled environment. Extreme temperature and humidity changes can cause fading, warping, shrinking and splitting of wood. It is advised to keep furniture away from direct sunlight as sun may damage the finish.

Proper care and cleaning at home will extend the life of your purchase. Following these important and helpful tips will enhance your furniture as it ages.

We hope you enjoy your purchase for many years.
Thank you for your purchase!

QUALITY GUARANTEE

We are confident that you will be delighted with your Whalen Furniture purchase.

Should this product be defective in workmanship or materials or fail under normal use, we will repair or replace it for up to one (1) year from date of purchase. Every Whalen Furniture product is designed to meet your highest expectations. We guarantee that you will immediately see the value of our fine furniture.

This warranty gives you specific al rights and you may also have other rights which vary from state to state or province to province.

Customer Service: 1-855-MYTGTHOME (855-698-4846)
8:30 a.m. - 4:30 p.m., PST, Monday to Friday
www.whalenfurniture.com

The shelves and bottom panel maximum recommended weight allowance is 22.7 kg / 50 lb.

 **WARNING**

Please use your furniture correctly and safely. Improper use can cause safety hazards, or damage to your furniture or household items. Carefully read the following safety information.

Death or serious injury may occur when children climb on audio and/or video equipment furniture. A remote control or toys placed on the furnishing may encourage a child to climb on the furnishing and as a result may tip over onto the child.

NEVER allow children to climb or play with the TV or furnishing supporting the TV.

NEVER place toys, food, remote, etc. on top of the TV or TV furnishing.

ALWAYS use either the safety hardware as instructed or other wall anchoring device.

Relocating audio and/or video equipment to furniture not specifically designed to support audio and/or video equipment may result in death or serious injury due to furniture collapse or over turning onto a child.

NEVER place a TV on furniture that is not intended to support a TV.

NEVER exceed the maximum size and weight of the TV shown in the instructions.

Be sure to refer to the TV warning label as shown in the instructions.

Overloading drawers and shelves may result in furniture that can break or sag, or tip-over which may result in injury.

NEVER exceed the weight limits shown in the instructions.

Place the heavier items on lower shelves as far back from the front as possible.

Load the bottom surfaces first to avoid top-heavy furniture.

Moving furniture that is not designed to be moved or equipped with casters may result in injury or damage to furnishings or personal property.

ALWAYS unload shelves and drawers, starting with the top surfaces, before moving.

NEVER push or pull furniture on carpet. Have a friend help lift properly to move and/or reposition it.