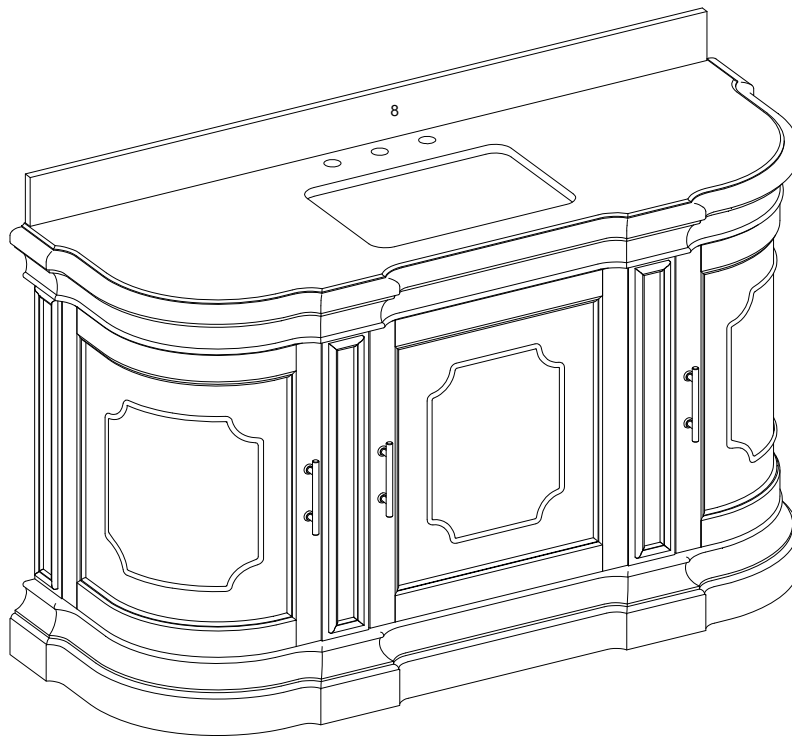


Thomasville®

Model # THMSVL60EVO

USE AND CARE GUIDE

60" VANITY



Customer Service: 1-866-942-5362 English, French and Spanish

Monday - Friday, 8:30 a.m. - 4:30 p.m. PST

(Toll-free in U.S. and Canada only)

E-mail: parts@whalenfurniture.com

www.whalenfurniture.com

Table of Contents

Table of Contents	2	Tools required	4
Safety Information	2	Hardware Included	4
Warranty	3	Package Contents	5
Limited Lifetime Warranty	3	Assembly	6
California and Minnesota Residents	3	Care and Cleaning	10
Minnesota residents	3	Maintenance & Consumer Responsibilities	10
Pre-Assembly	4	Service Parts	11
Planning Assembly	4		

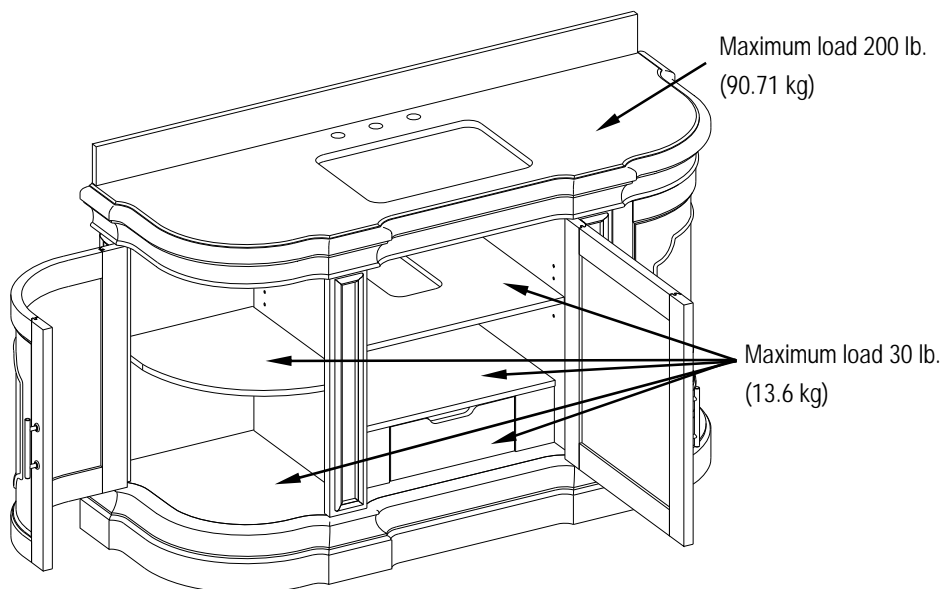
Safety Information

- Please read and understand these instructions before assembling and using this product. Save these instructions for future reference.

MAXIMUM RECOMMENDED WEIGHT LOADS



WARNING: Do not stand on the vanity. Use the vanity on level ground. Exceeding the maximum weight limits will compromise the integrity of the vanity structure and could cause the vanity to fail.



Warranty

LIMITED LIFETIME WARRANTY

This product is warranted to the original purchaser. If there is a failure in this unit due to defects in materials or workmanship, the manufacturer will repair or replace this item at our discretion without charge. Warranty is void if product has been assembled incorrectly, misused, abused by overloading, altered in any way or damaged due to accident. This warranty is not transferable and does not cover chipping, flaking, scratches, rust, dents, or other damages to the surfaces of this product. Responsibility of the manufacturer is limited to repair or replacement of this product. The manufacturer is not responsible for consequential, incidental, or other damages or losses resulting from product failure. This warranty is in lieu of all other expressed warranties. Some states do not allow the exclusion or limitation of incidental or consequential damages, so the above limitation may not apply to you. This warranty gives you specific legal rights and you may have other rights which vary from state to state.

California and Minnesota Residents

MINNESOTA RESIDENTS

"IMPORTANT HEALTH NOTICE.

SOME OF THE BUILDING MATERIALS USED IN THIS HOME (OR THESE BUILDING MATERIALS) EMIT FORMALDEHYDE. EYE, NOSE, AND THROAT IRRITATION, HEADACHE, NAUSEA AND A VARIETY OF ASTHMA-LIKE SYMPTOMS, INCLUDING SHORTNESS OF BREATH, HAVE BEEN REPORTED AS A RESULT OF FORMALDEHYDE EXPOSURE. ELDERLY PERSONS AND YOUNG CHILDREN, AS WELL AS ANYONE WITH A HISTORY OF ASTHMA, ALLERGIES, OR LUNG PROBLEMS, MAY BE AT GREATER RISK. RESEARCH IS CONTINUING ON THE POSSIBLE LONG-TERM EFFECTS OF EXPOSURE TO FORMALDEHYDE.

REDUCED VENTILATION MAY ALLOW FORMALDEHYDE AND OTHER CONTAMINANTS TO ACCUMULATE IN THE INDOOR AIR. HIGH INDOOR TEMPERATURES AND HUMIDITY RAISE FORMALDEHYDE LEVELS. WHEN A HOME IS TO BE LOCATED IN AREAS SUBJECT TO EXTREME SUMMER TEMPERATURES, AN AIR-CONDITIONING SYSTEM CAN BE USED TO CONTROL INDOOR TEMPERATURE LEVELS. OTHER MEANS OF CONTROLLED MECHANICAL VENTILATION CAN BE USED TO REDUCE LEVELS OF FORMALDEHYDE AND OTHER INDOOR AIR CONTAMINANTS.

IF YOU HAVE ANY QUESTIONS REGARDING THE HEALTH EFFECTS OF FORMALDEHYDE, CONSULT YOUR DOCTOR OR LOCAL HEALTH DEPARTMENT."

Pre-Assembly

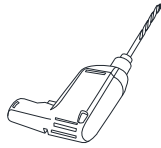
PLANNING ASSEMBLY

Compare all parts with the Hardware Included and Package Contents list. If any part appears missing or damaged, do not assemble this product and contact the Customer Service Team at 1-866-942-5362.

TOOLS REQUIRED



Phillips
screwdriver



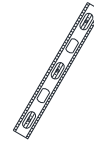
Drill



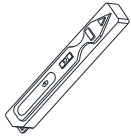
Bit



Silicone
compound



Level



Stud finder

HARDWARE INCLUDED



NOTE: Hardware not shown to actual size.

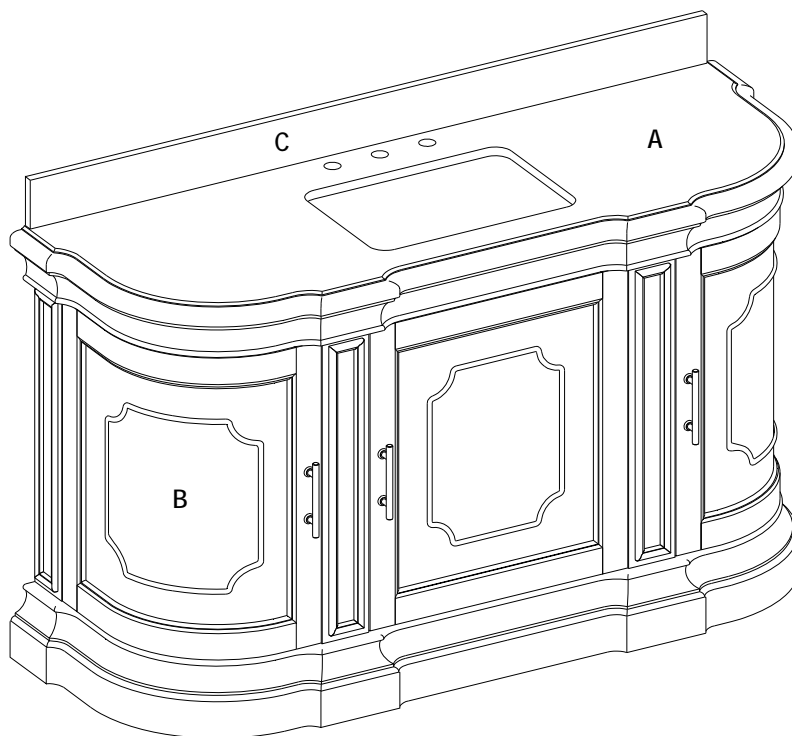


—AA

Part	Description	Quantity
AA	Touch-up Pen	1

Pre-Assembly (continued)

PACKAGE CONTENTS

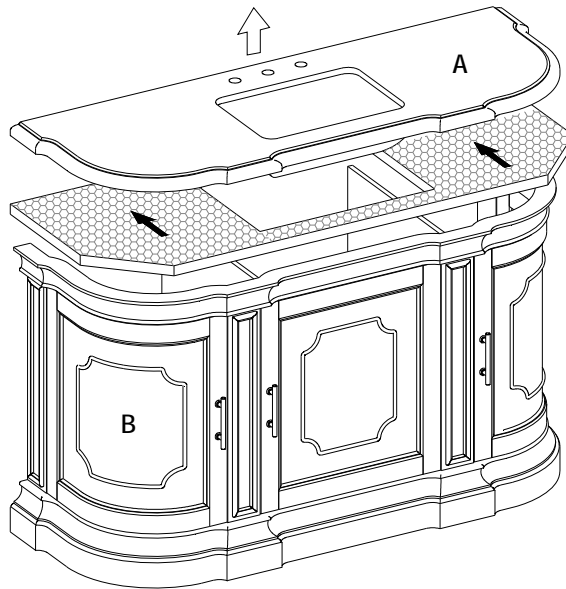


Part	Description	Quantity
A	Vanity Top (preassembled)	1
B	Vanity Base	1
C	Backsplash	1

Assembly

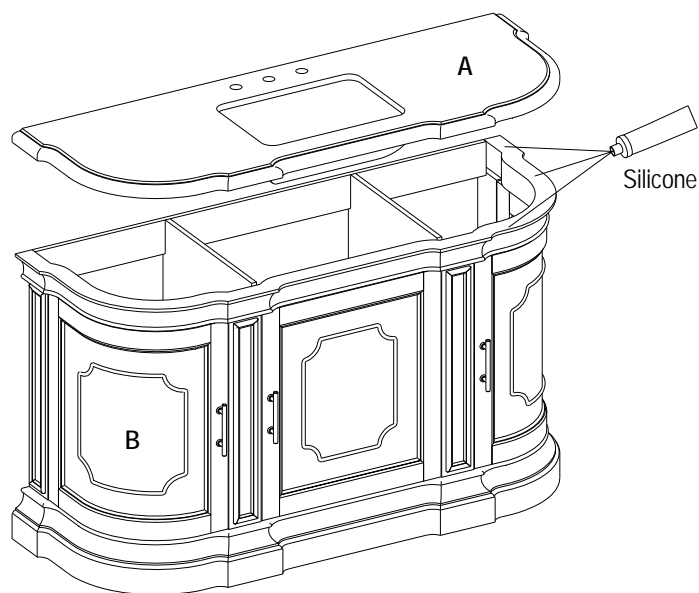
1 Removing Packaging Material

- Remove stone top and the packaging material under the stone top.
-



2 Water Supply Lines and Drain Assembly Guide

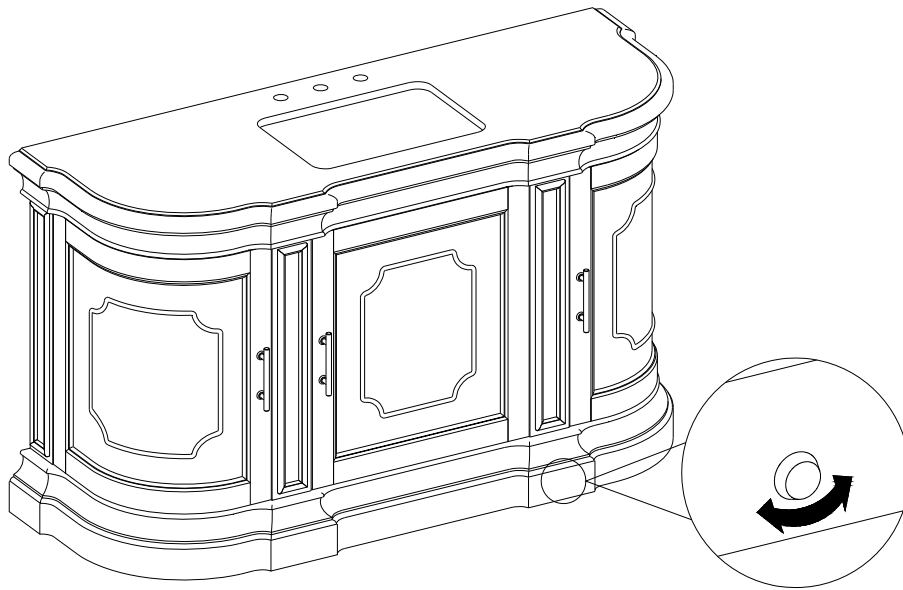
- Mark wall for vanity placement and note the location of the water supply lines and drain on the back panel of vanity.
- Move vanity (B) into proper place against the wall.
- Install faucet, drain and supply lines (none included) to vanity top (A) according to the instructions supplied with those items.



Assembly

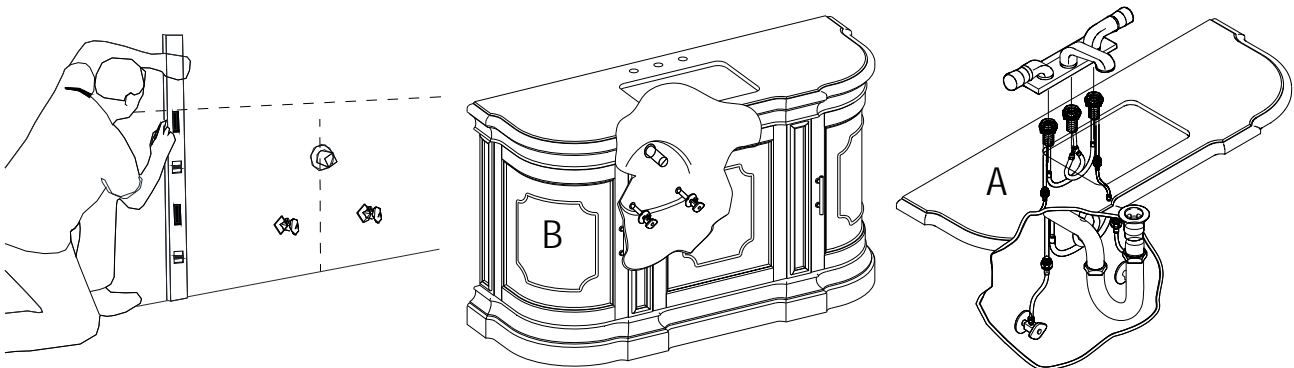
3 Adjustable Level

- In case of uneven floors, floor levelers are provided at the bottom of the vanity. If necessary, adjust floor levelers by hand to correct tilting and/or level doors.



4 Water Supply Lines and Drain Assembly Guide

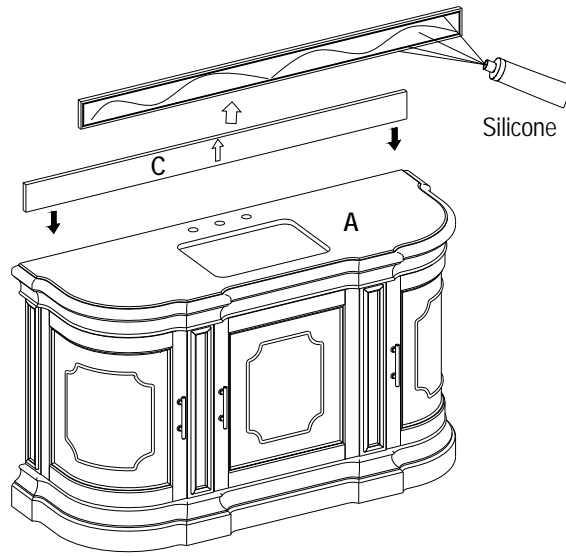
- Mark wall for vanity placement and note the location of the water supply lines and drain on the back panel of vanity.
- Move vanity (B) into proper place against the wall.
- Install faucet, drain and supply lines (none included) to vanity top (A) according to the instructions supplied with those items.
-



Assembly

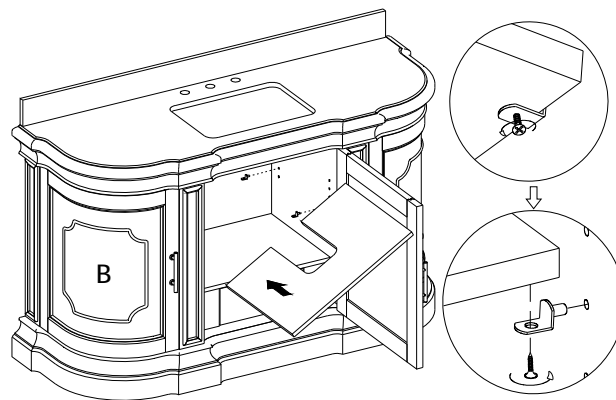
5 Backsplash Assembly

- To mount the backsplash (C) to the wall, apply a thin bead of silicone compound (not included) to the unpolished back side and bottom of the backsplash (C). Position backsplash (C) as shown onto vanity top (A) and against the wall. Clean any excess silicone compound before allowing to dry.



6 Adjustable shelf

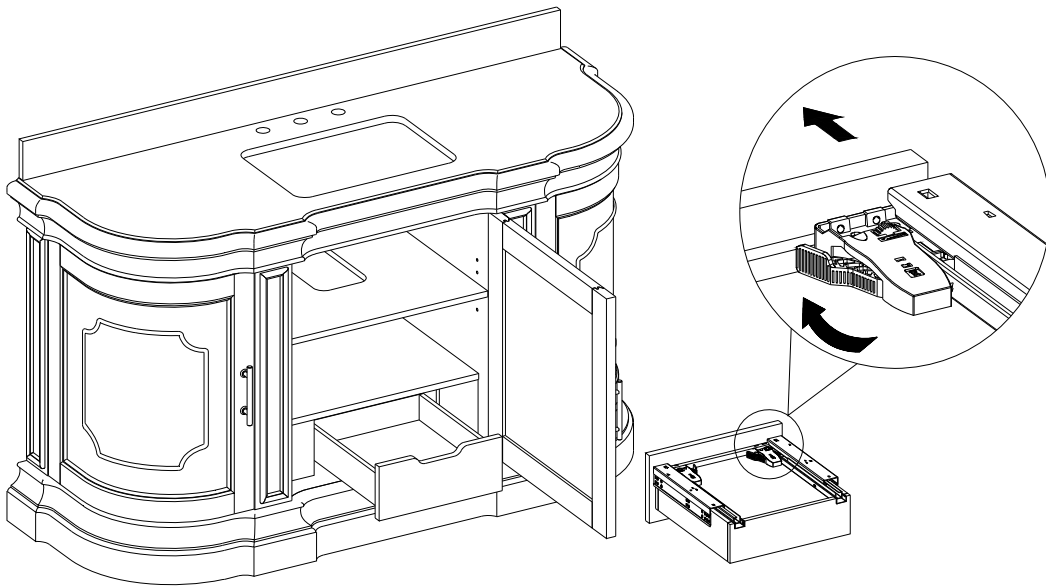
- Note: The adjustable shelves are pre-installed for shipping. If the shelf position is not to your liking, you will need to reposition the shelf by following the steps below:
 - a. Look under the shelf, and locate the wood screws holding the shelf to the shelf supports.
 - b. Remove the wood screws from each shelf support with a Phillips screwdriver (not included).
 - c. Remove the adjustable shelf from the vanity (B).
 - d. Remove the shelf supports from the vanity (B) and re-position them in the desired location. Make sure you place the shelf supports in the same level so the shelf is not tilted.
 - e. Place the adjustable shelf back onto the shelf supports.
 - f. Using the Phillips screwdriver, reinstall the wood screws through the shelf supports and into the shelf.



Assembly

7 Adjust drawer

- If you need to remove the drawer, please press the Release Levers on the mechanisms pre-attached underneath the drawer kit at both ends.
- If necessary, you can push the Adjustment Clips on the bottom mechanisms to adjust the top and bottom gaps of the drawer.



Care and Cleaning

- Dust the vanity regularly with a soft, non-lint producing cloth or household dusting product.
- You can clean the vanity with a gentle, non-abrasive household cleaner. Make sure to dry the wood immediately with a soft cloth or towel.
- Tips for using touch-up pen (AA): For scratches, stroke in direction of scratch; for worn areas, stroke in direction of wood grain. Rub excess colorant promptly with a soft cloth.
- Keep product away from direct sunlight as it may damage the finish.
- Please clean all fluids from the stone surface to prevent stains. We strongly suggest that red wine spills be wiped off immediately to prevent permanent damage to the stone surface.

Maintenance & Consumer Responsibilities

Stone countertops are surprisingly resilient to stains and scratches. However, as a preventative measure, any spills on the stone surfaces should be wiped up within a reasonable amount of time. Don't let liquid sit on the stone overnight. Stones are most prone to staining by oil and acid, so be sure to blot these spills up as soon as they happen. Follow up by cleaning the stone with a mild non-abrasive soap and water.

In bathrooms specifically, stone tends to attract soap scum, just like man-made tile. Rinse vanity top with clean, hot water frequently.

The use of sealers is also a powerful preventative measure. Your stone was sealed at the factory, but reapplication is necessary over time. How often is determined by the quality of the sealer used, and the frequency of use. We recommend using a penetrating non-toxic sealer for bath areas, but a food-safe sealer is typically not necessary.

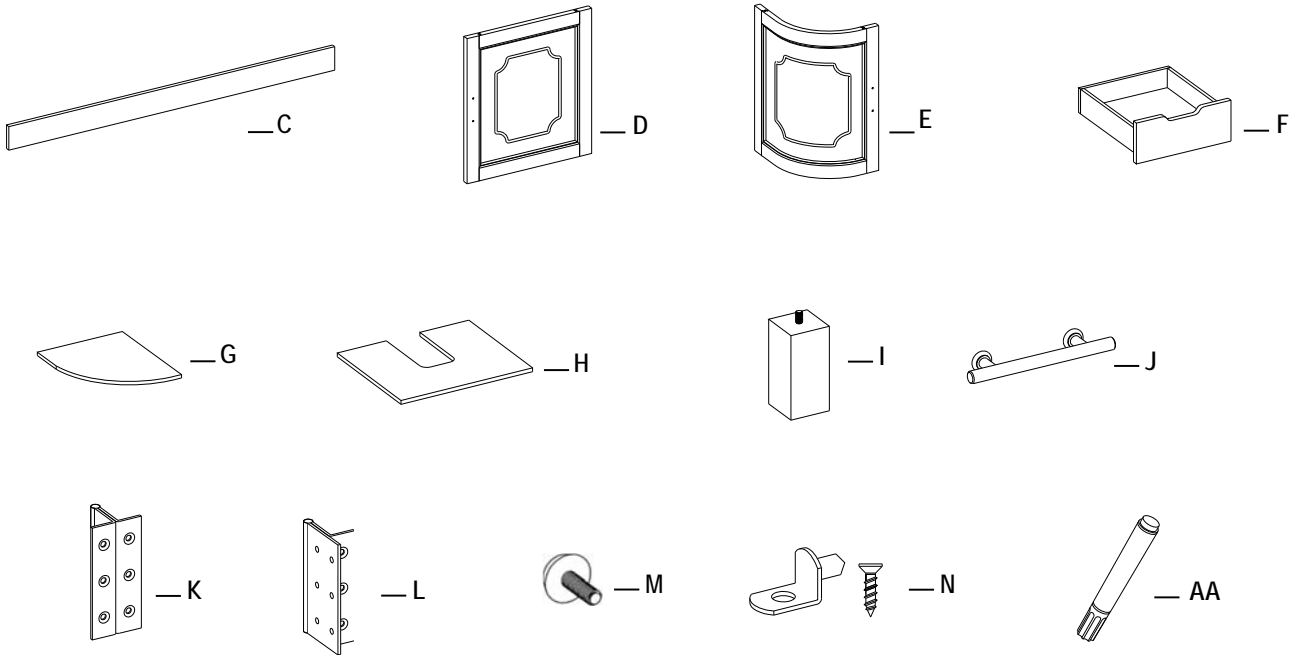
If stains and scratches do occur, there are many things you can do as a consumer to remove them. Remove oil based stains with acetone, mineral spirits, or ammonia. Organic stains like coffee, tea, or juice can be removed with hydrogen peroxide, mixed with a few drops of ammonia.

Water spots or rings are the most common problem with bath vanities, and are caused by minerals left behind when water evaporates. These can be removed by buffing the spots gently with 00 gauge steel wool. Likewise, small nicks and scratches can often be removed the same way. Larger scratches, chips, and resilient stains may require professional help. Please contact your local stonemason for details.

Remember the following list of DOs and DON'Ts:

- DO use preventative cleaning measures to keep your stone pristine.
- DO use sealers, applied according to the product specific directions.
- DO blot spills quickly, and wash with mild soap and warm water.
- DON'T use harsh bathroom cleaners or grout cleaners on any natural stone.
- DON'T worry if you get a significant stain or scratch that your stone investment is ruined. Virtually anything can be fixed with professional help.

Service Parts



Part	Description	Quantity
C	Backslash	1
D	Front Door	1
E	Side Door	2
F	Drawer	1
G	Small Adjustable Shelf	2
H	Large Adjustable Shelf	1
I	Support Leg	1
J	Handle with Bolt	3
K	Hinge A with Screw	4
L	Hinge B with Screw	2
M	Leveler	5
N	Shelf Support with Screw	10
AA	Touch-up Pen	1