



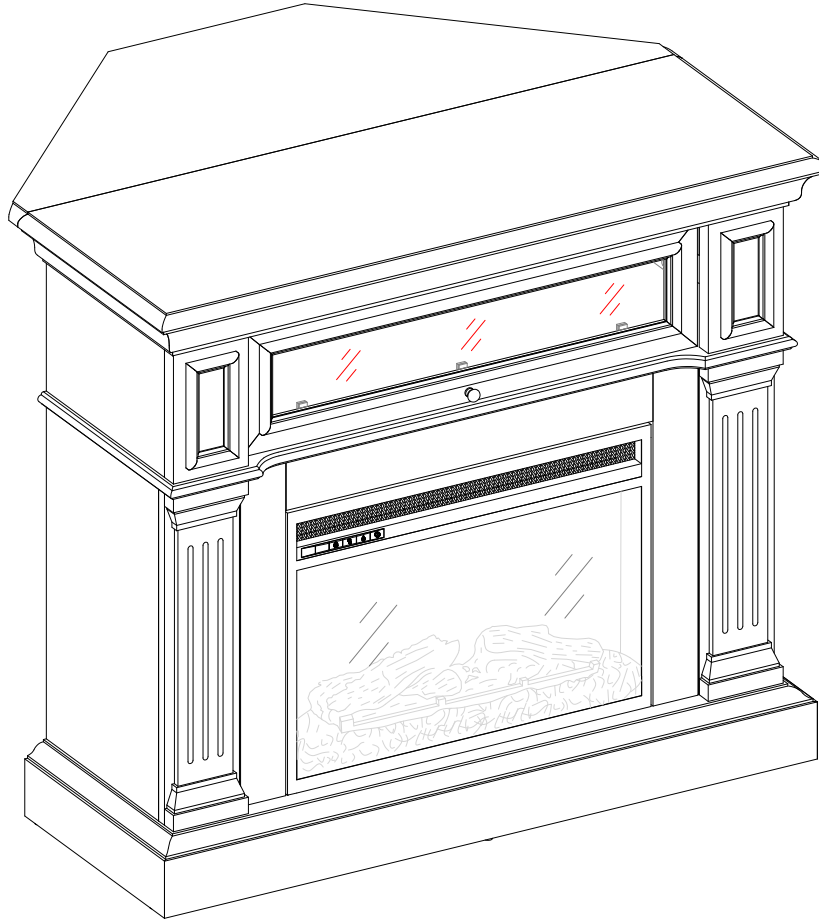
WHALEN®

LOT NUMBER: _____
DATE PURCHASED: __/__/__

Leland 42" Fireplace Console

Model # WSF42OW23D

WSF42OW23W



ADULT ASSEMBLY REQUIRED

If you have any questions regarding assembly or if parts are missing, DO NOT return this item to the store where it was purchased. Please call our toll-free customer service number and have your instructions and parts list ready to provide the model name, part name or factory number:

1-866-942-5362

Pacific Standard Time: 8:30 a.m. - 4:30 p.m., Monday - Friday

Or visit our website www.whalenfurniture.com

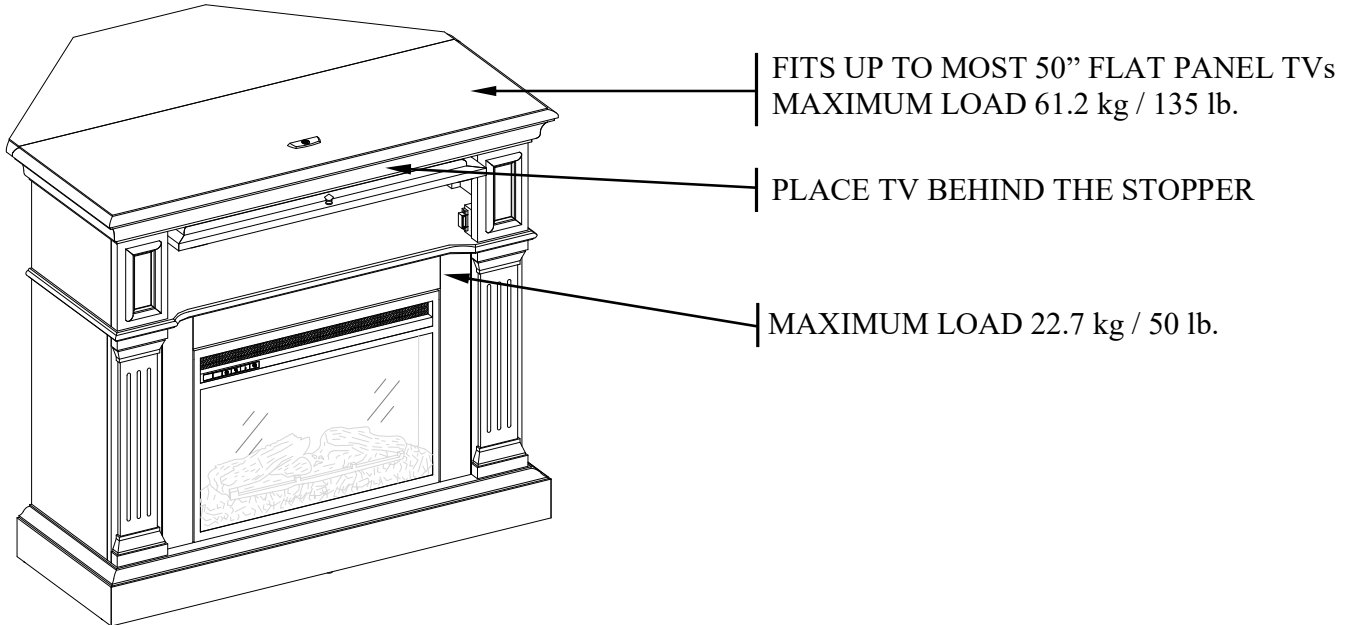
Or e-mail your request to: parts@whalenfurniture.com

**THIS INSTRUCTION BOOKLET CONTAINS IMPORTANT SAFETY INFORMATION.
PLEASE READ AND KEEP FOR FUTURE REFERENCE.**

Date 2018-06-10 Rev. 0001-B Factory: DOSECH

MAXIMUM RECOMMENDED WEIGHT LOADS

MANUFACTURER: Whalen Furniture Manufacturing
 CATALOG: Leland 42" Fireplace Console
 MODEL #: WSF42OW23D/WSF42OW23W
 MADE IN CHINA



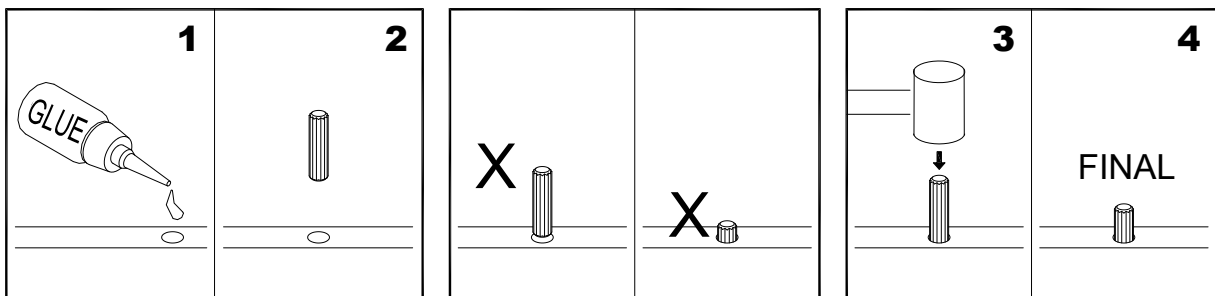
⚠ WARNING THIS UNIT IS NOT INTENDED FOR USE WITH CRT TVS. USE ONLY WITH FLAT PANEL TVS AND AUDIO/VIDEO EQUIPMENT MEETING RECOMMENDED SIZE AND WEIGHT LIMITS. NEVER USE WITH LARGER/HEAVIER THAN RECOMMENDED FLAT PANEL TVS OR EQUIPMENT. TO AVOID INSTABILITY, PLACE FLAT PANEL TV IN THE CENTER OF THE UNIT; THE BASE OF THE TELEVISION MUST BE ABLE TO REST ON THE SUPPORTING SURFACE OF THE UNIT WITHOUT OVER-HANGING THE EDGES. IMPROPERLY POSITIONED FLAT PANEL TVS, OR FLAT PANEL TVS INCLUDING OTHER EQUIPMENT THAT EXCEED RECOMMENDED SIZE AND WEIGHT LIMITS COULD FALL OFF OR BREAK THE UNIT, CAUSING POSSIBLE SERIOUS INJURY.

IMPORTANT

Before you begin: Open, identify and count all parts prior to assembly. Lay out parts on a flat and non-abrasive surface. You will need the parts identified on pages 3 and 4 of this instruction manual.

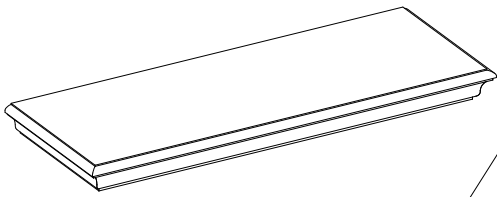
NOTE: IT IS VERY IMPORTANT TO USE GLUE WITH THE DOWELS. EXCESS GLUE CAN BE WIPED OFF WITH A DAMP CLOTH.

Insert Dowel at least half way by tapping lightly with a rubber mallet (not included), IF NECESSARY.

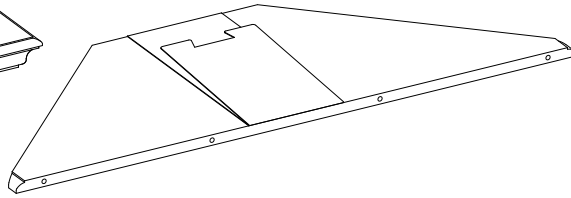


Parts and Hardware List

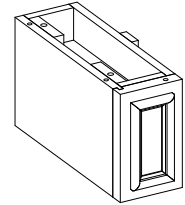
Please read completely through the instructions and verify that all listed parts and hardware are present before beginning assembly.



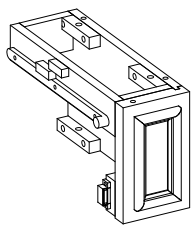
A- Top Panel (Qty. 1)



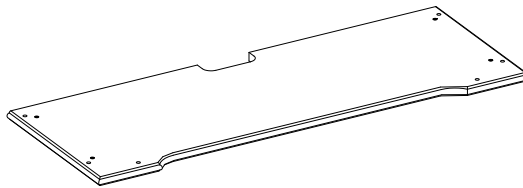
B- Top Corner Extension (Qty. 1)



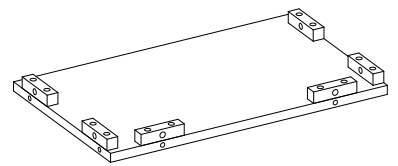
C- Upper Left Side Frame (Qty. 1)



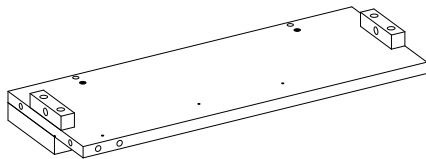
D- Upper Right Side Frame (Qty. 1)



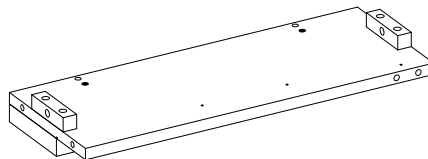
E- Center Shelf (Qty. 1)



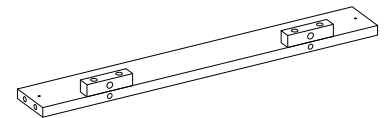
F- Lower Side Panel (Qty. 2)



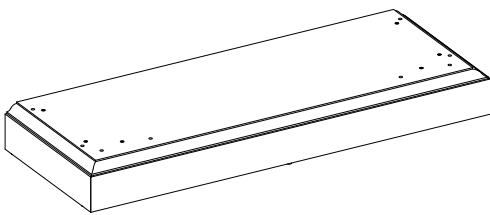
G- Left Front Panel (Qty. 1)



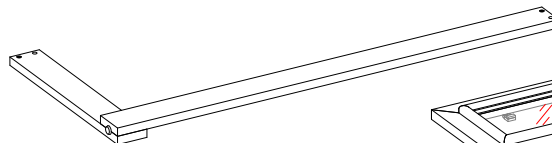
H- Right Front Panel (Qty. 1)



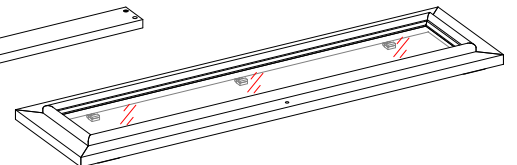
I- Center Crossbar (Qty. 1)



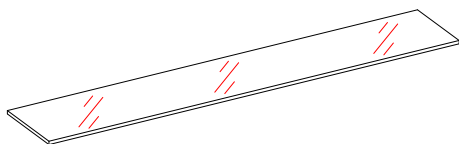
J- Base (Qty. 1)



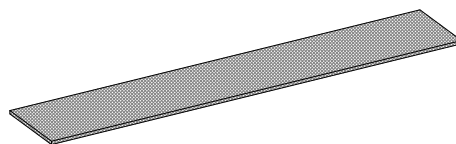
K- Corner Support (Qty. 1)



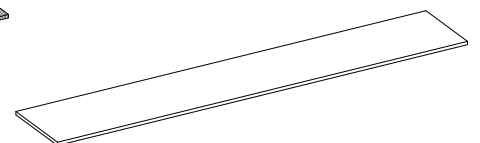
L- Barrister Door (Qty. 1)



M- Glass Door Panel (Qty. 1)
(Pre-attached)



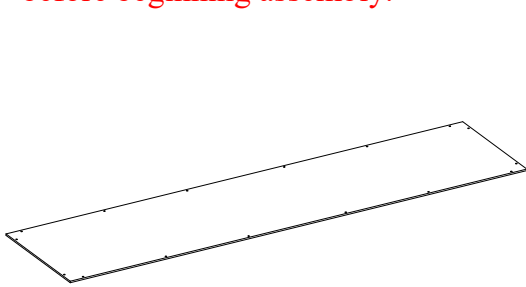
N- Speaker Grill (Qty. 1)



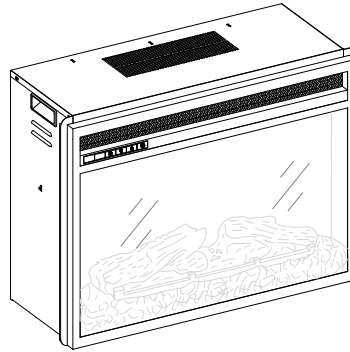
O- Wood Door Panel (Qty. 1)

Parts and Hardware List

Please read completely through the instructions and verify that all listed parts and hardware are present before beginning assembly.



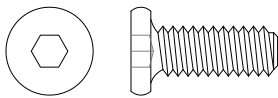
P- Back Panel (Qty. 1)



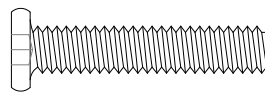
Fireplace Insert (Qty. 1)



Remote Control with Battery (Qty. 1)



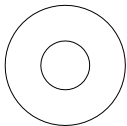
(1) 1/4" x 5/8" Bolt
(Qty. 10+1 extra)



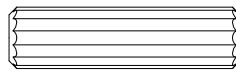
(2) 1/4" x 1-1/4" Bolt
(Qty. 26+1 extra)



(3) Lock Washer
(Qty. 26+1 extra)



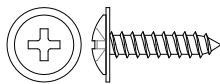
(4) Flat Washer
(Qty. 26+1 extra)



(5) M8 x 30 mm Wood Dowel
(Qty. 42+2 extra)



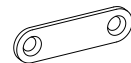
(6) Ø3.5 x 12 mm Screw
(Qty. 8+1 extra)



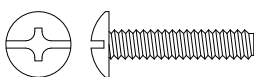
(7) Ø3.5 x 15 mm Washer Head Screw
(Qty. 20+1 extra)



(8) Knob
(Qty. 1)



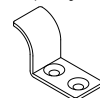
(9) Small Metal Bracket
(Qty. 2)



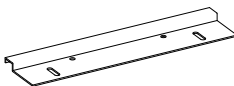
(10) Knob Bolt (Qty. 1)



(11) Acrylic Stopper (Qty. 1)



(12) Hook (Qty. 2)



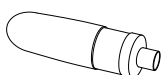
(13) Large Metal Bracket (Qty. 2)



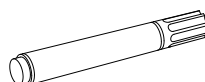
(14) Connector (Qty. 5)



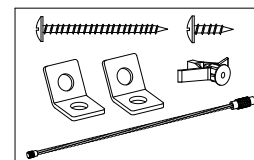
Hex Wrench (Qty. 1)



Glue (Qty. 1)



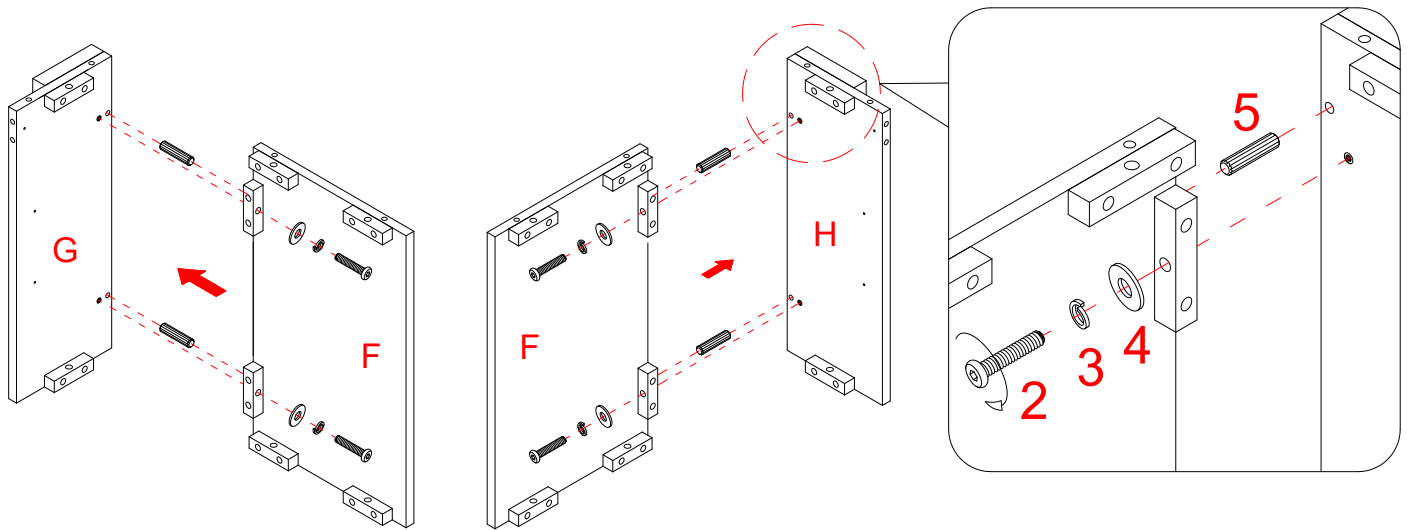
Touch-up Pen (Qty. 1)



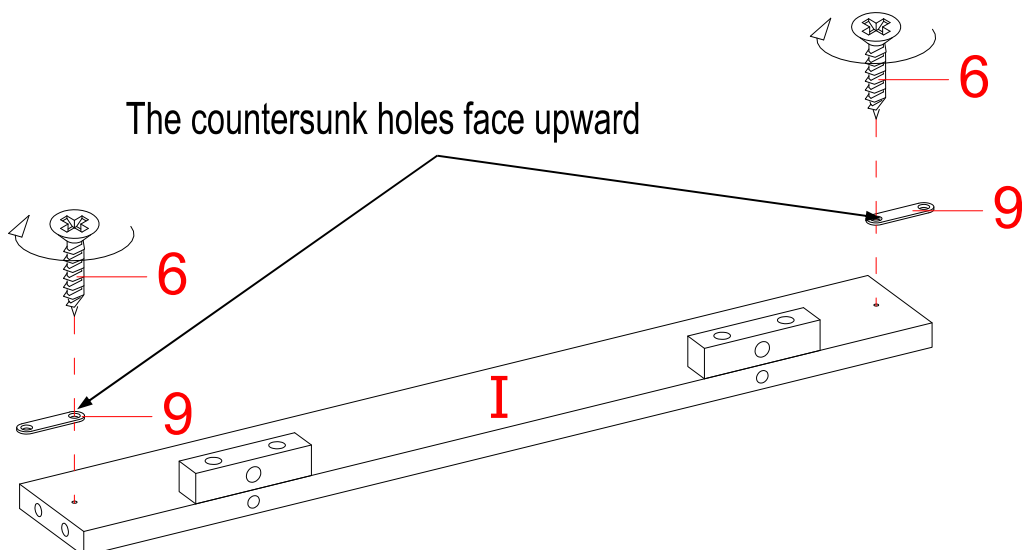
Tipping Restraint Hardware Kit (Qty. 2)
(Included in plastic bag)

Tools required: Hex wrench (provided), Phillips screwdriver and hammer (not provided).

Assembly Instructions

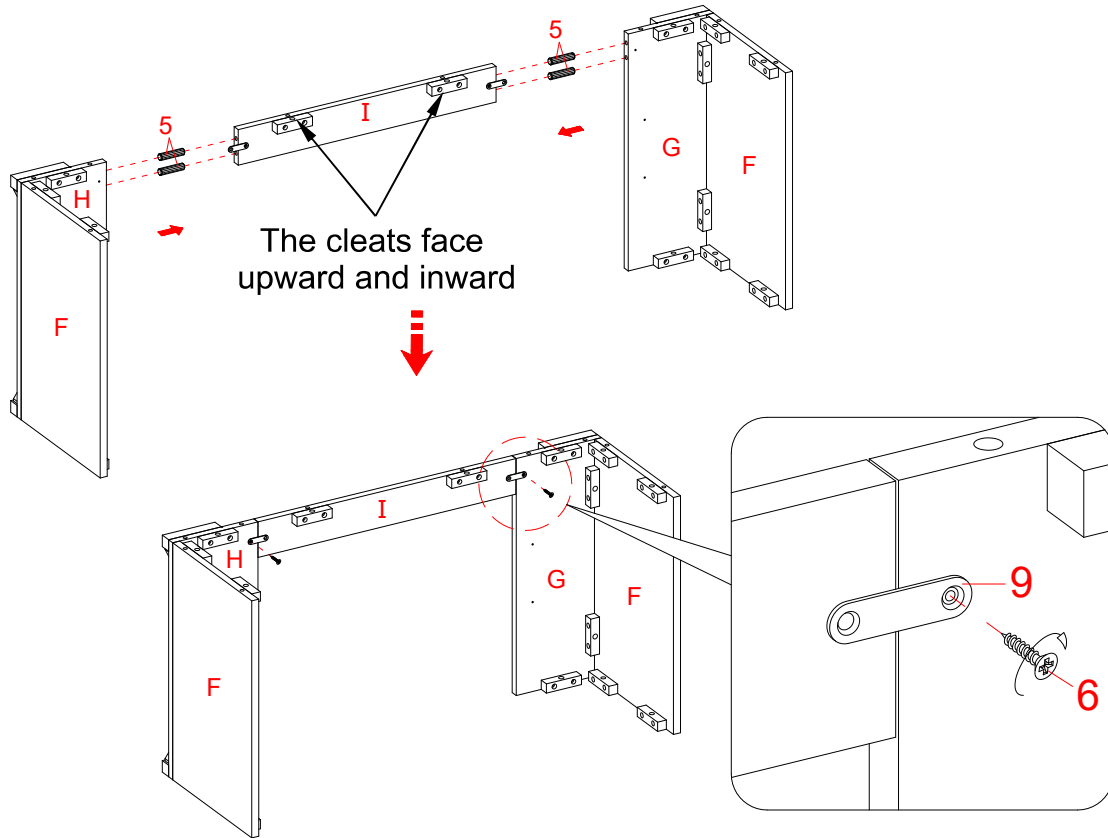


1. Unpack the unit and confirm that you have all the hardware and required parts. Assemble the unit on a carpeted floor or the empty carton to avoid any scratch.
2. Glue two Wood Dowels (5) into the inner holes on one Lower Side Panel (F) and attach it to the Left Front Panel (G) with two 1-1/4" Bolts (2) and two Washers (3 and 4).
3. Repeat the same procedure to combine the other Lower Side Panel (F) with the Right Front Panel (H) together.

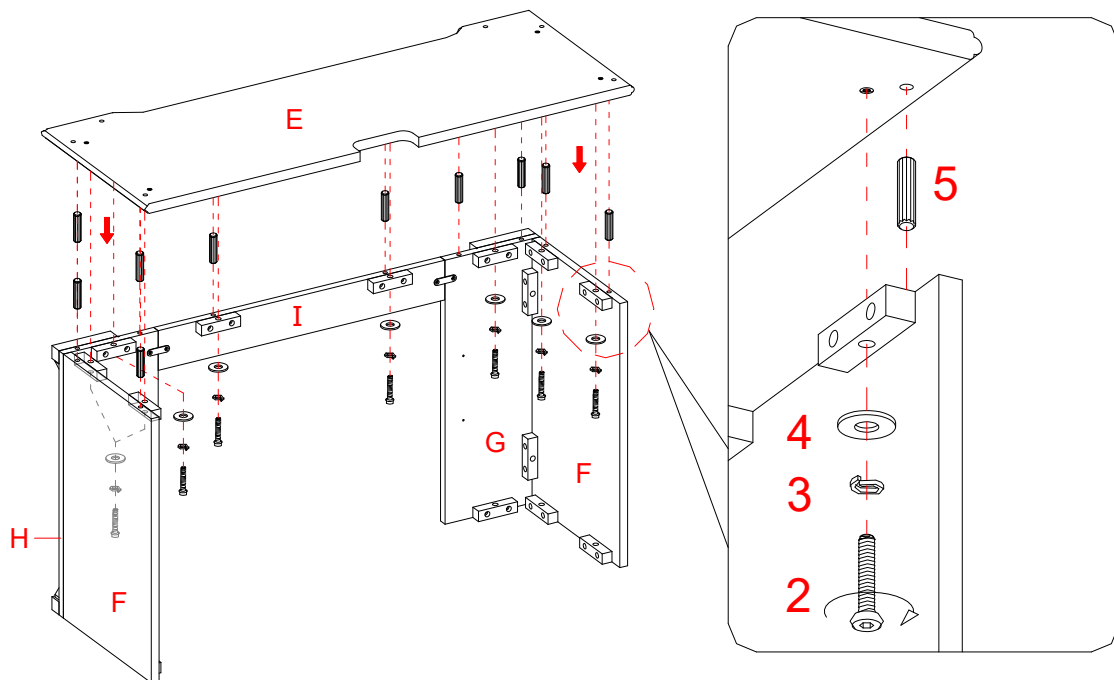


4. Using the pilot holes as a guide, attach two Small Metal Brackets (9) to the Center Crossbar (I) with two 12 mm Screws (6) as shown.

Assembly Instructions

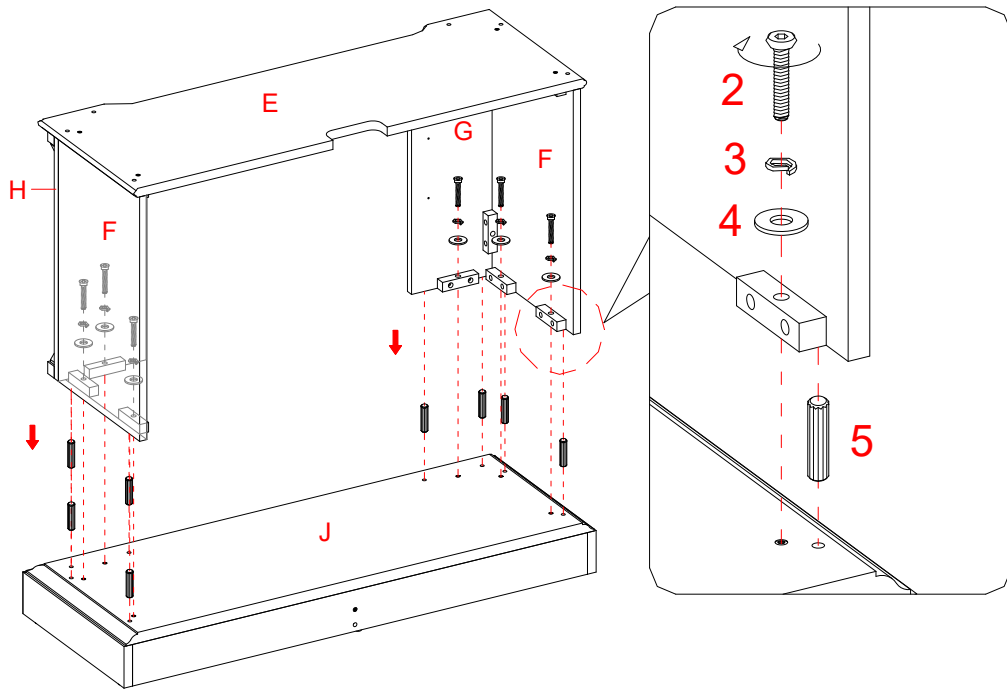


5. Glue four Wood Dowels (5) into the drilled holes on the Center Crossbar (I) at both ends and attach it between the Left and Right Front Panels (G and H) as shown. Insert two 12 mm Screws (6) through the Small Metal Brackets (9) and screw into the Front Panels (G and H).

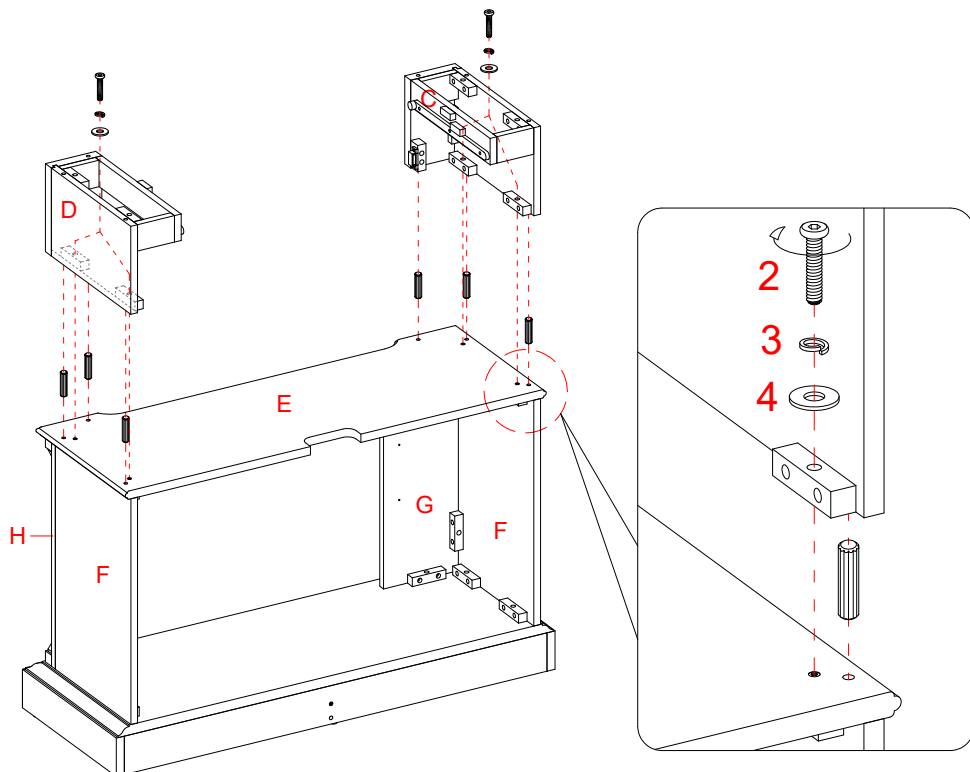


6. Glue ten Wood Dowels (5) into the top holes of the previous assembly.
7. Position the Center Shelf (E) onto the inserted Wood Dowels (5) and fasten in place with eight 1-1/4" Bolts (2) and eight Washers (3 and 4).

Assembly Instructions

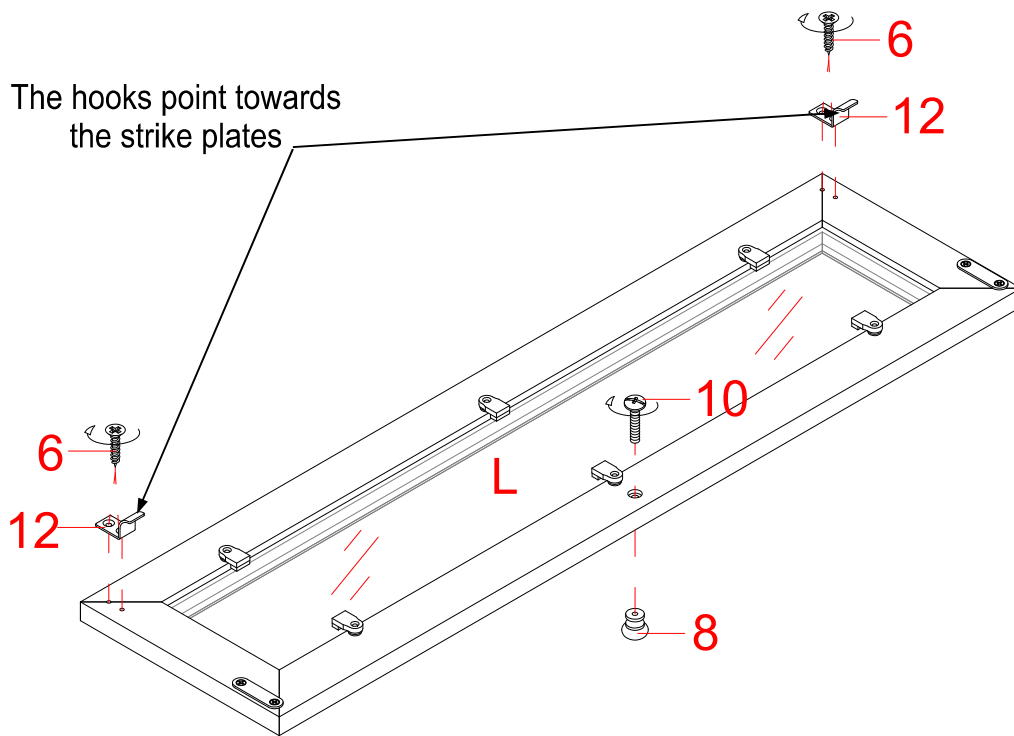


8. Glue eight Wood Dowels (5) into the non-threaded holes on the Base (J).
9. Position the previous assembly onto the inserted Wood Dowels (5) on the Base (J) and attach in place with six 1-1/4" Bolts (2) and six Washers (3 and 4).

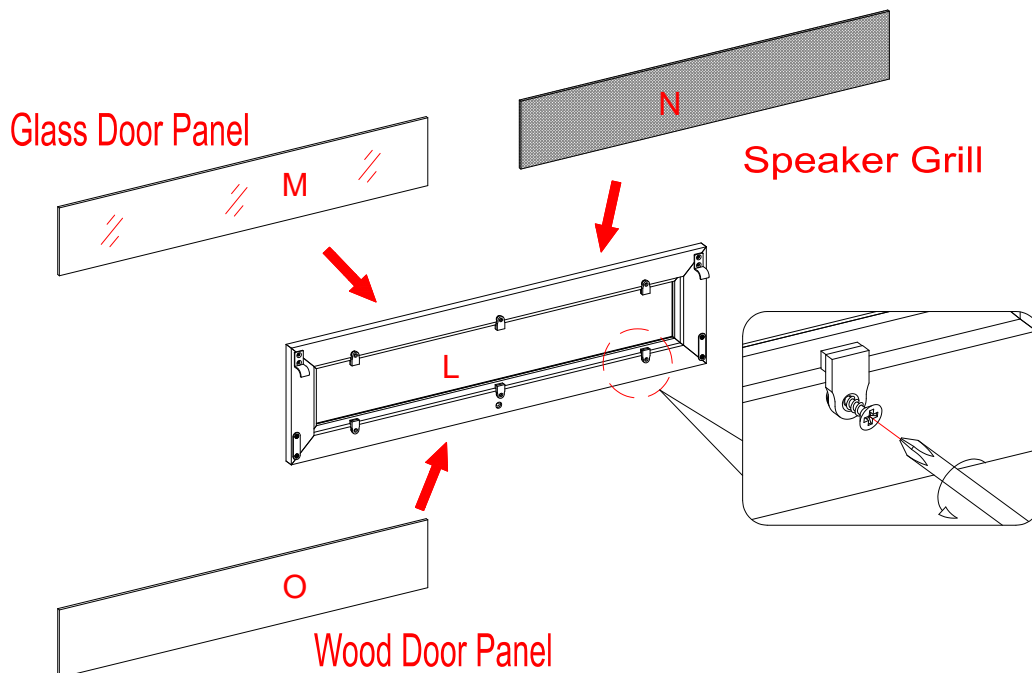


10. Glue six Wood Dowels (5) into the non-threaded holes on the Center Shelf (E).
11. Position the Upper Side Frames (C and D) onto the inserted Wood Dowels (5) and attach them to the Fixed Shelf (E) with four 1-1/4" Bolts (2) and four Washers (3 and 4).

Assembly Instructions



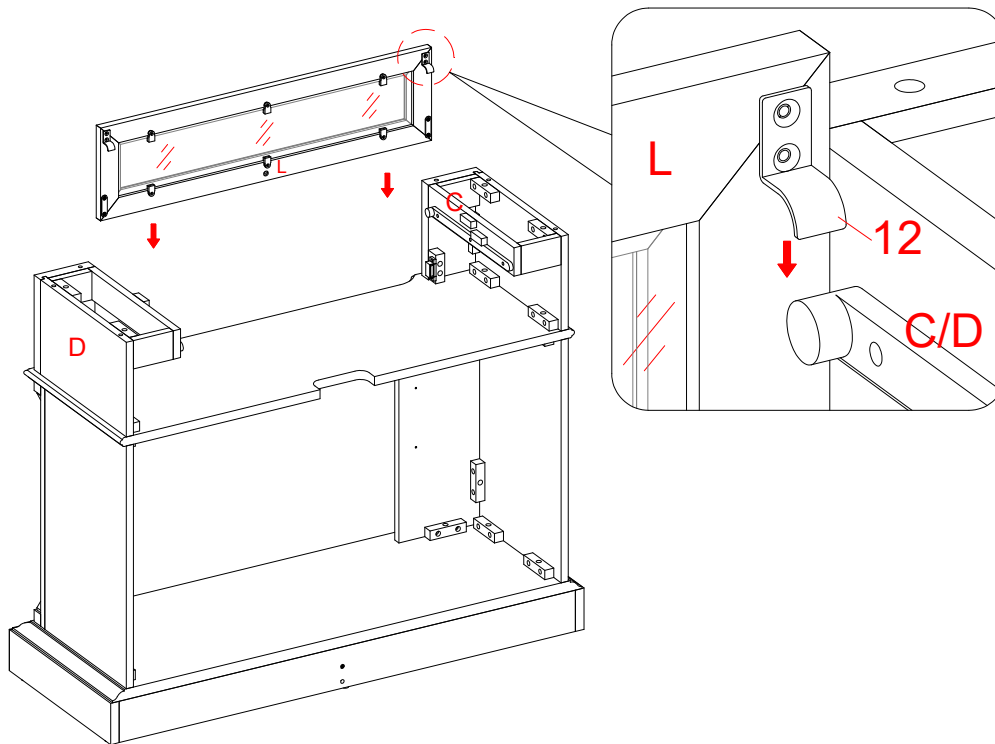
12. Using the pilot holes as a guide, fasten two Hooks (12) to the upper corners of the Barrister Door (L) with four 12 mm Screws (6) as shown.
13. Attach one Knob (8) to the front side of the Barrister Door (L) with one Knob Bolt (10).



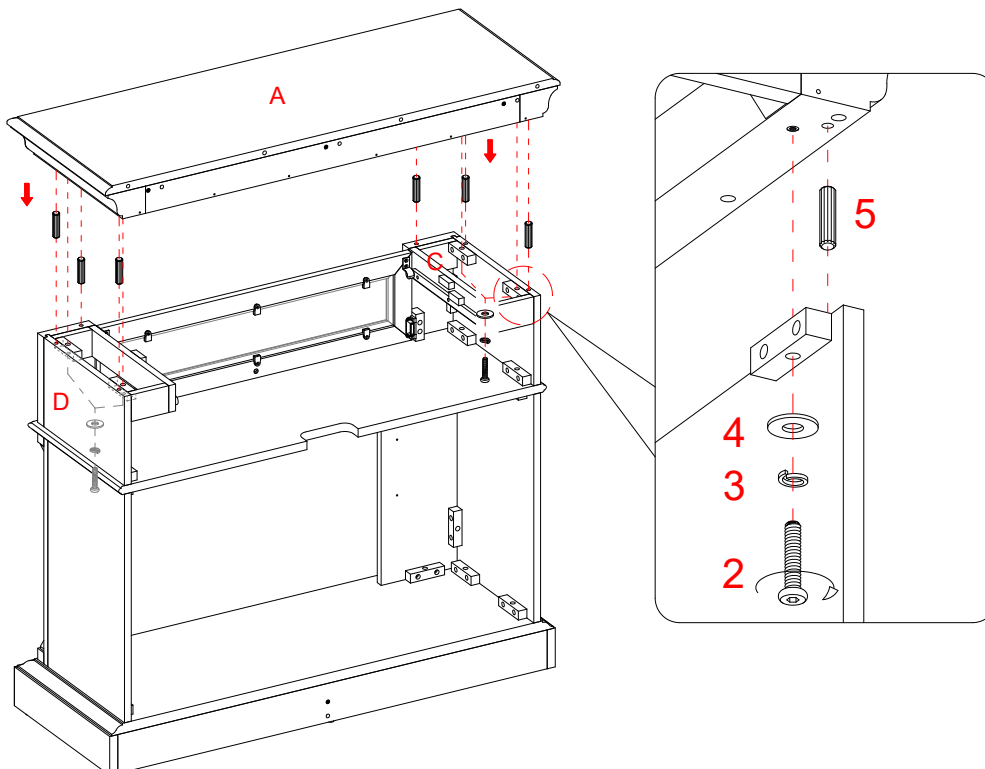
NOTE: The Barrister Door is shipped with the Glass Door Panel (M). You can keep the door as it is or interchange with Speaker Grill (N) or Wood Door Insert (O) depending on your configuration.

14. To change the configuration, loosen the screws on the inside of the Barrister Door (L) and rotate the clips to remove the panel. Replace with the desired panel, then rotate clips to secure the panel within the door frame and tighten screws.

Assembly Instructions



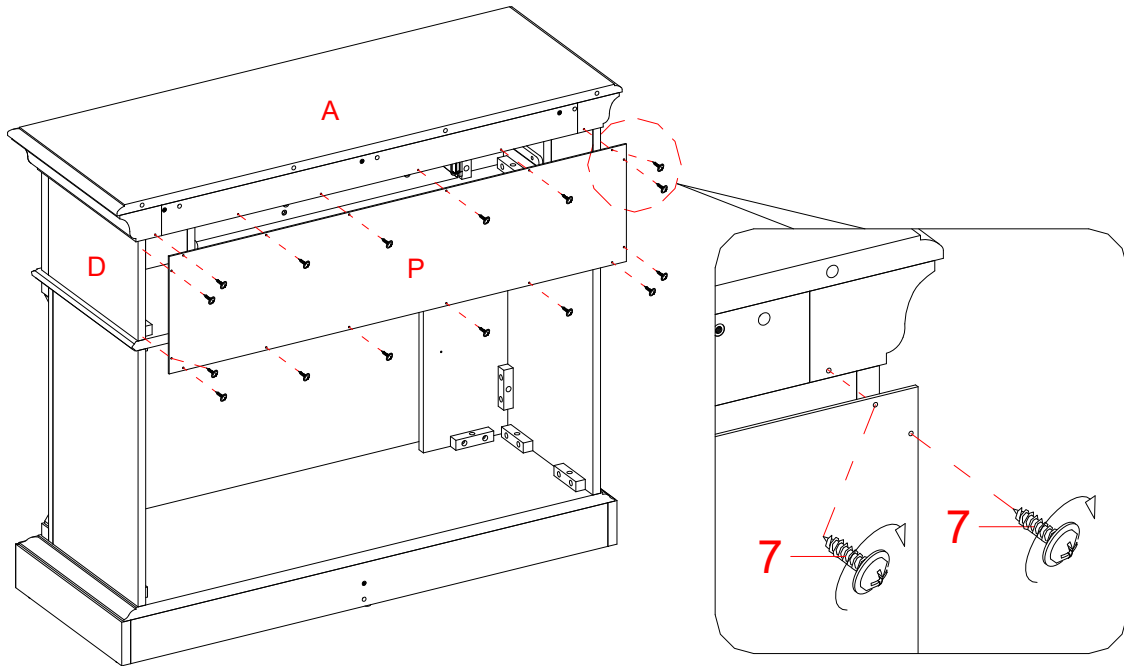
15. Hook the Barrister Door (L) onto the pre-attached plastic slides on the Upper Side Frames (C and D).



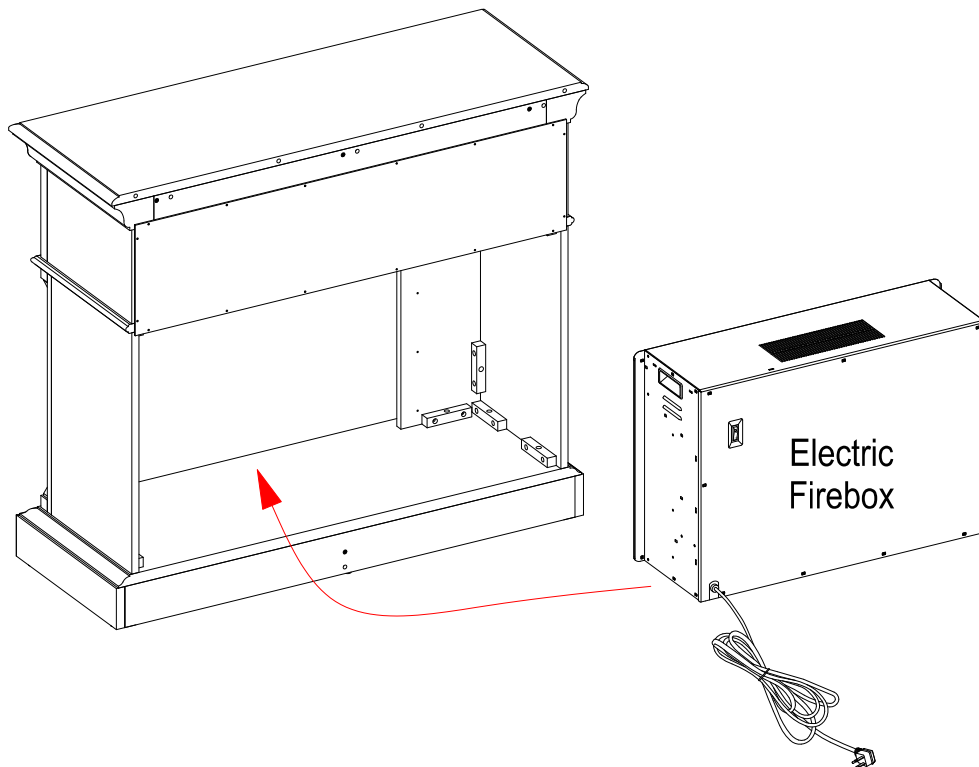
16. Glue six Wood Dowels (5) into the top holes on the Upper Side Frames (C and D).

17. Position the Top Panel (A) onto the inserted Wood Dowels (5) and fasten in place with four 1-1/4" Bolts (2) and four Washers (3 and 4).

Assembly Instructions

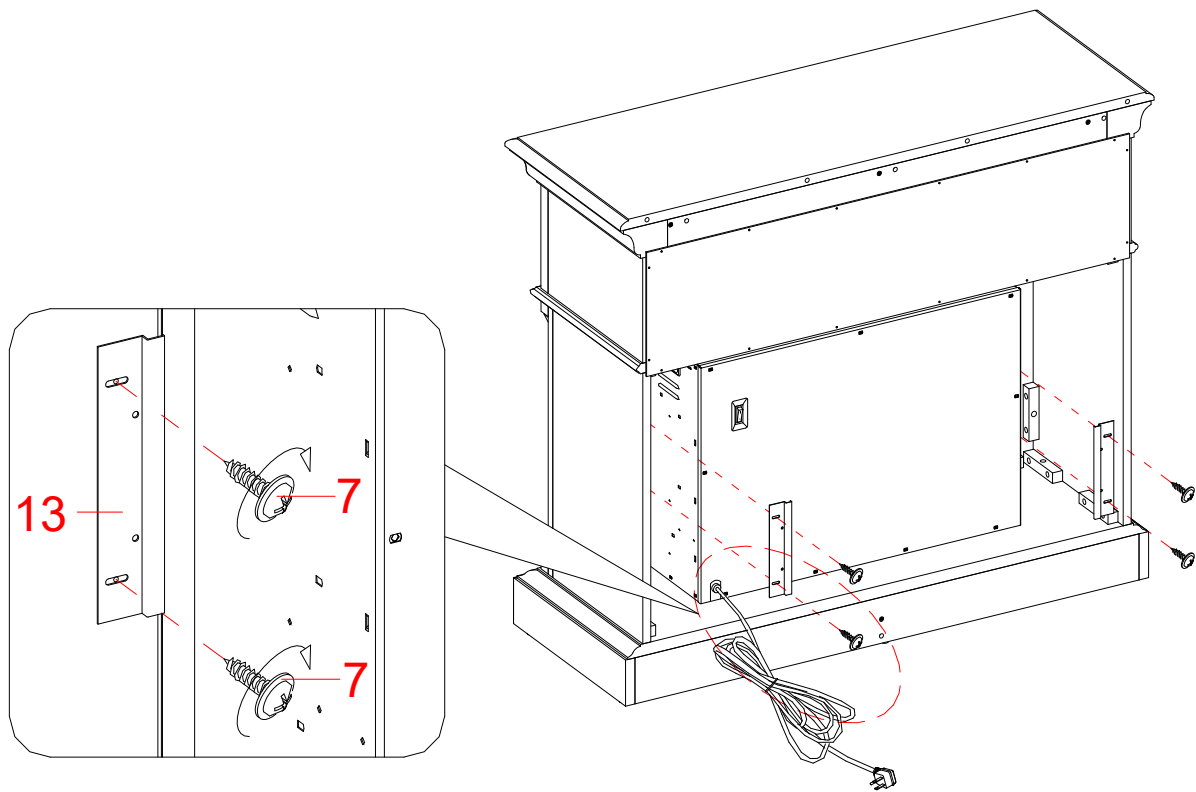


18. Now, go back and securely tighten all the Cam Locks and the Screws. Make sure that all the parts are tight and there are no gaps between the parts. This will help keep the unit square.
19. Pick up the Back Panel (P) and align the pre-drilled holes against the upper long edge with the pilot holes on the back stretcher of the Top Panel (A). Attach the Back Panel (P) in place with the provided Washer Head Screws (7).

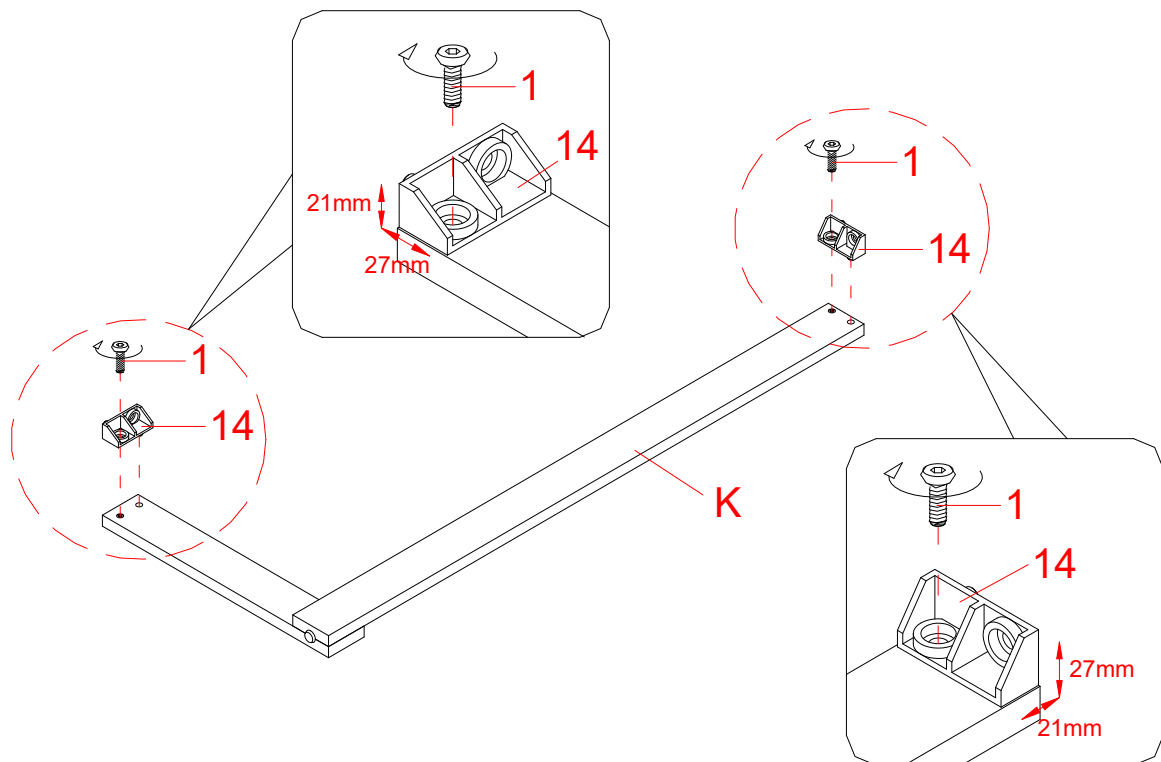


20. Lift the fireplace insert carefully into the back of the assembled mantel and center it in the opening. **DO NOT** drag the insert across the Base (J) as it may scratch the unit.

Assembly Instructions

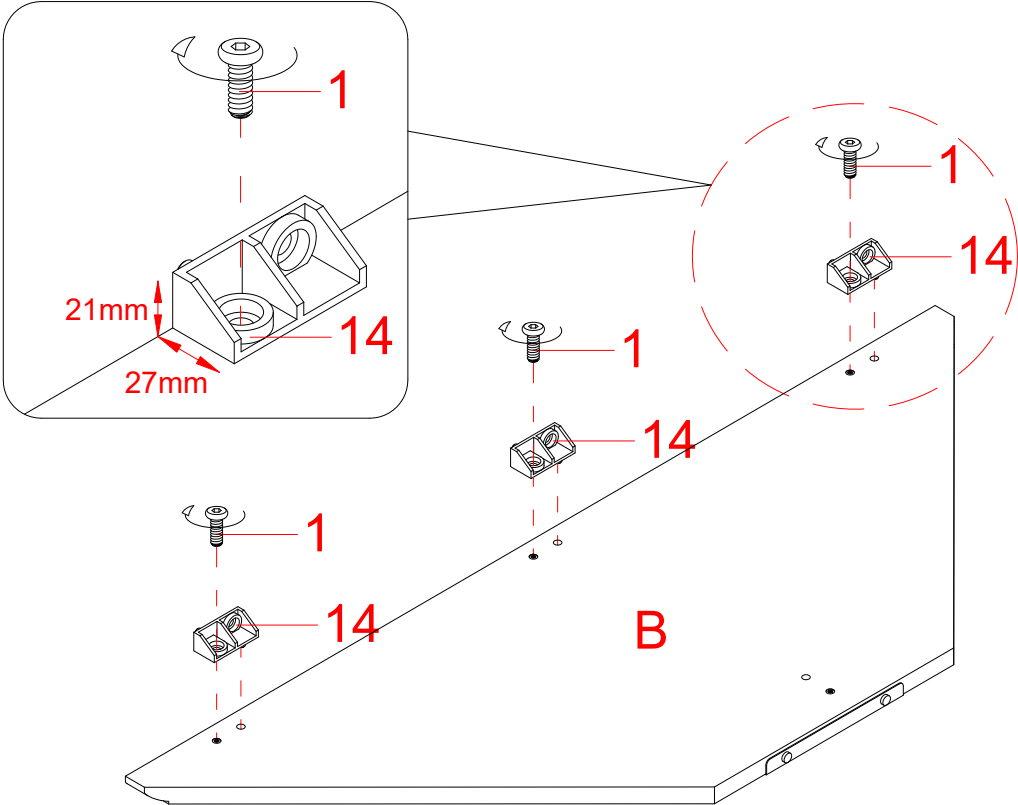


21. Using the pilot holes as a guide, fit four Large Metal Brackets (13) to the side plates of the fireplace insert and fasten in place with eight 15 mm Washer Head Screws (7).

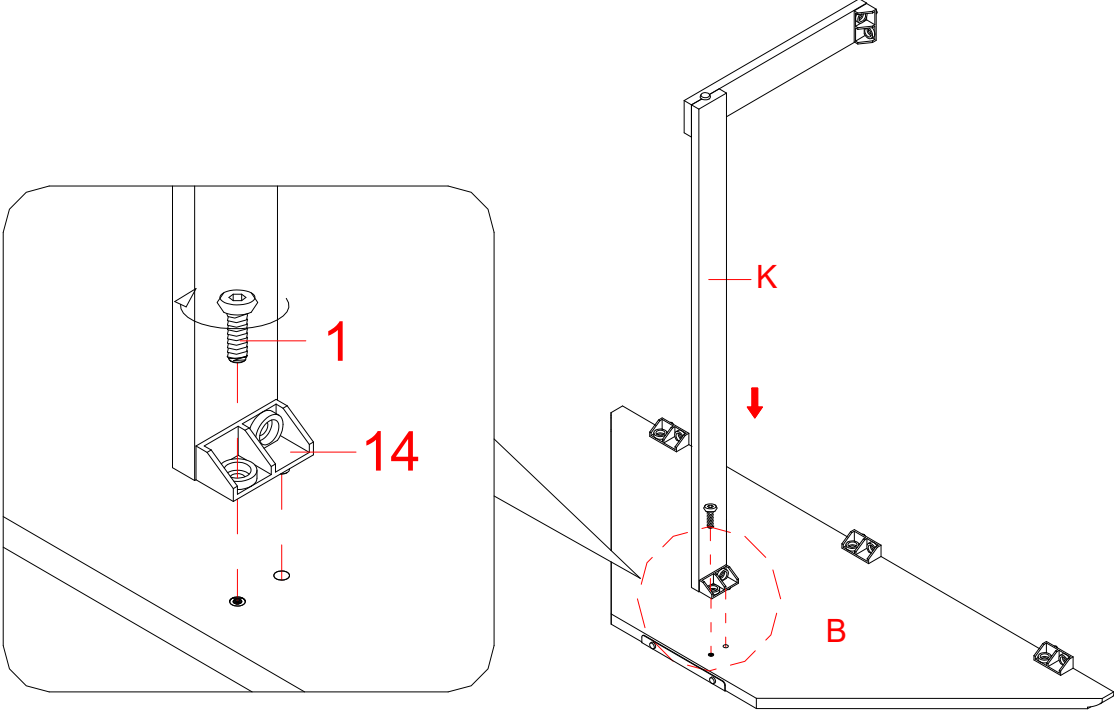


22. Fasten two Plastic Connectors (14) to both ends of Corner Supports (K) with two 5/8" Bolts (1) as shown.

Assembly Instructions

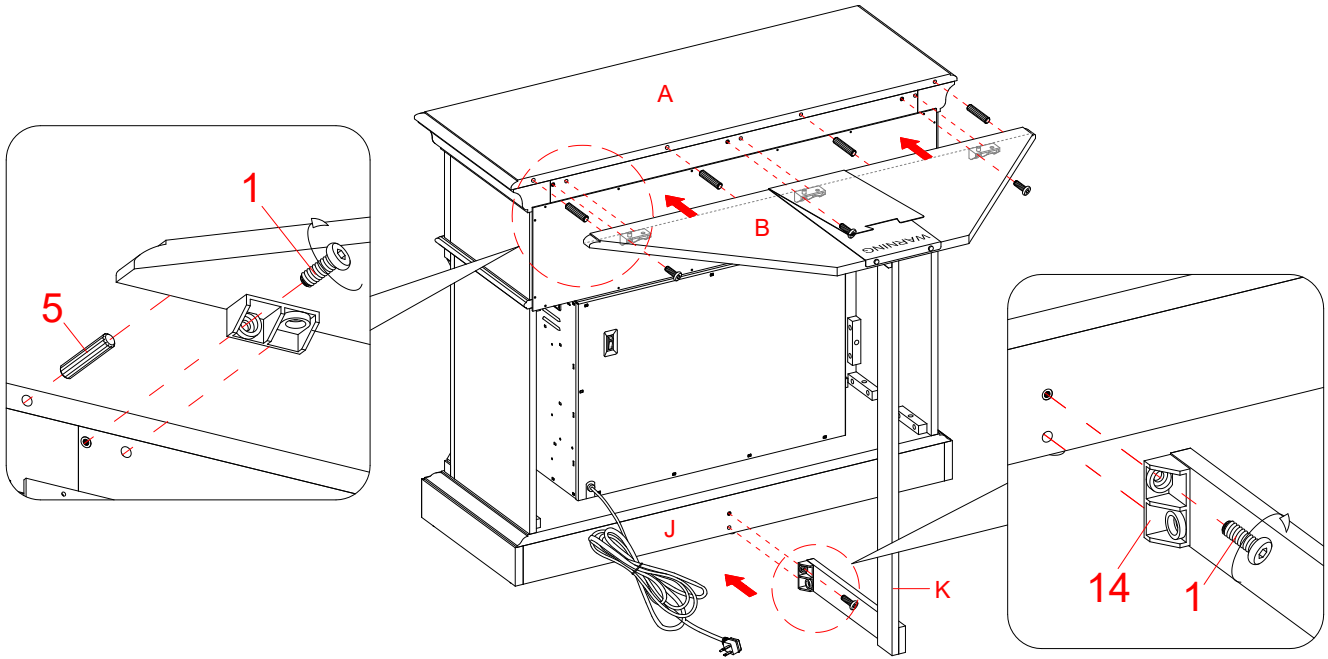


23. Attach three Plastic Connectors (14) to the Top Corner Extension (B) with three 5/8" Bolts (1) as shown.

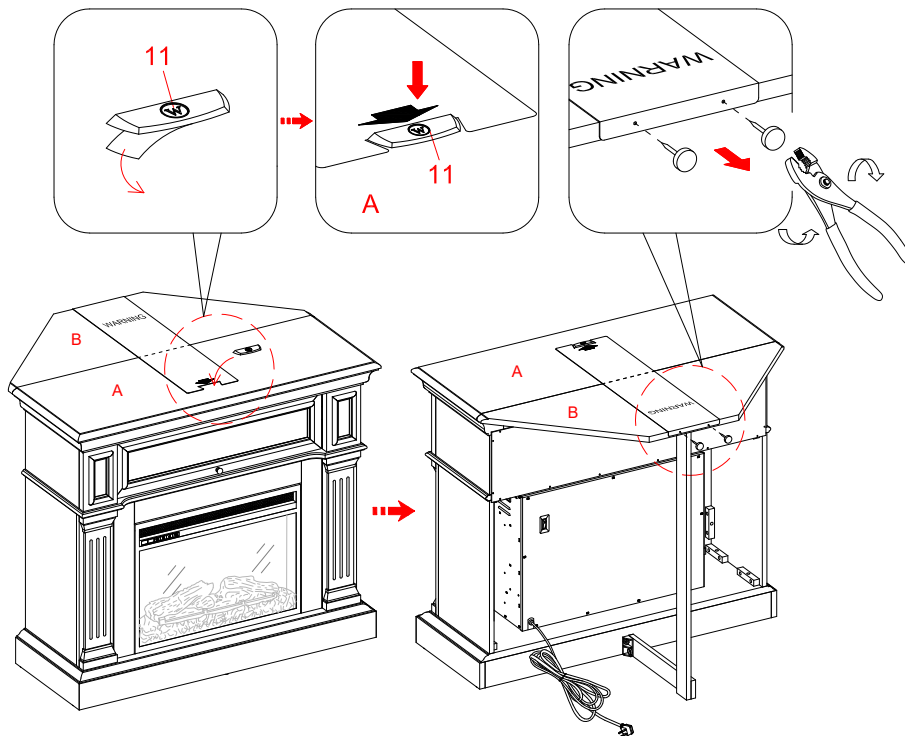


24. Attach the long end of the Corner Support (K) to the Top Corner Extension (B) with one 5/8" Bolt (1).

Assembly Instructions



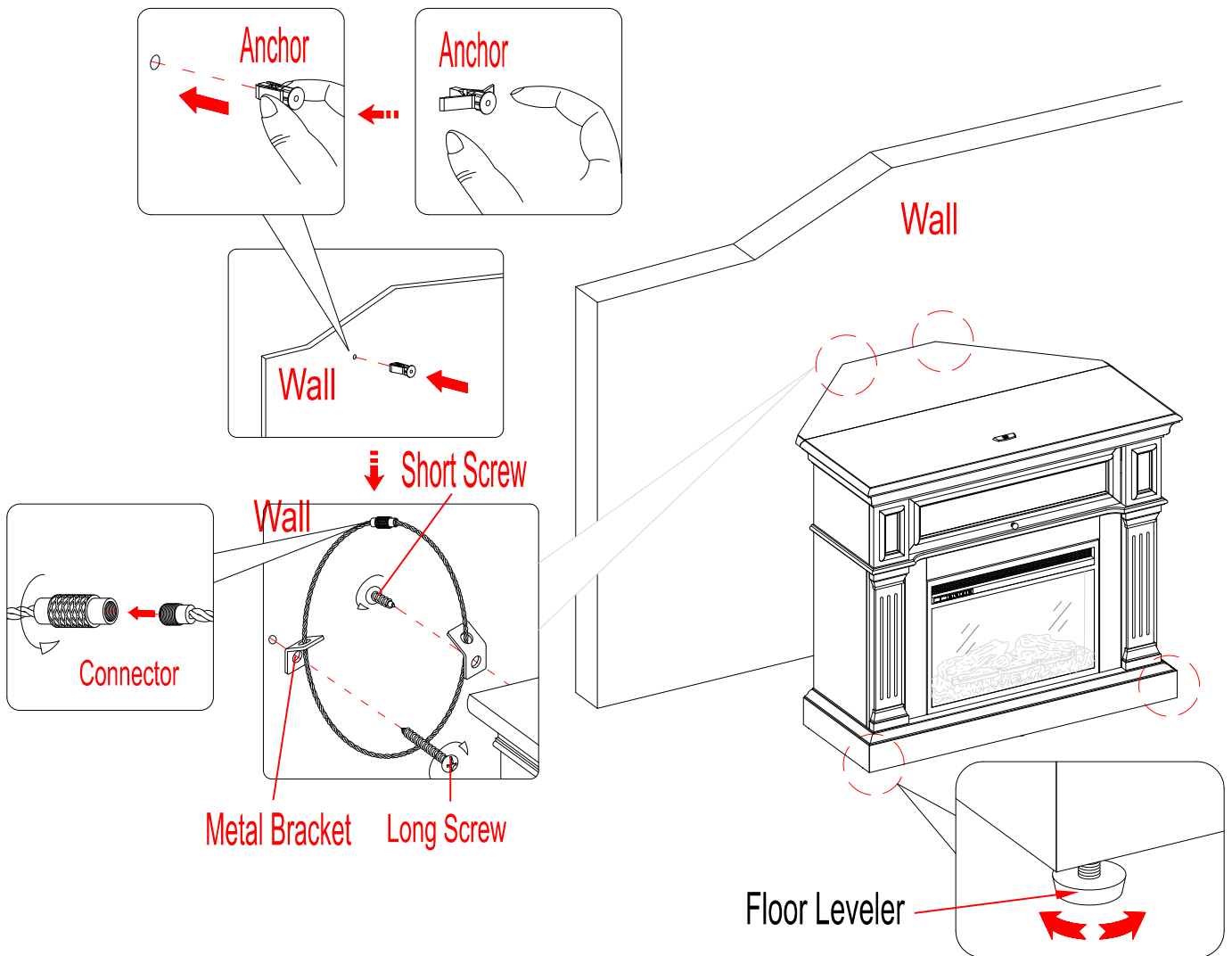
25. Glue four Wood Dowels (5) into the drilled holes on the back edge of the Top Panel (A). Attach the assembled Corner Extension to the Top Panel (A) and the Base (J) with four 5/8" Bolts (1).



NOTE: To prevent your TV from tipping, you must follow these instructions if you place a TV on top of your console. Otherwise, skip to "Step 27".

26. Remove the paper backing from the Acrylic Stopper (11), then properly align the Acrylic Stopper (11) into the cut-out on the acrylic stopper template on the Top Panel (A). Press down on the acrylic stopper to help adhesion.
27. At the back of the Top Corner Extension (B), grip the head of plastic tack with pliers, with twisting motion pull tack loose to remove the acrylic stopper template.

Assembly Instructions



Tools required: Phillips screwdriver, power drill, 3/8" drill bit and rubber mallet.

28. Ask for assistance to position the assembled fireplace at the desired location against a wall. If necessary, adjust the pre-attached Floor Levelers at the bottom of the Base (J) to level the unit. Now, follow the instructions printed on the plastic bag containing the Tipping Restraint Hardware to attach the tip-over restraints to the unit and the wall.

NOTE: Young children can be seriously injured by tipping furniture. You must install the Tipping Restraint Hardware with the unit to prevent the unit from tipping, causing any accidents or damage. The tipping restraint is intended only as a deterrent, they are not a substitute for proper adult supervision. The tipping restraint is not an earthquake restraint. If you wish to add the extra security of earthquake restraints, they must be purchased and installed separately.

29. Connect the fireplace to the power transformer. Follow the operating manual for the electric fireplace insert to control your fireplace.

Care and Maintenance

- Use a soft, clean cloth that will not scratch the surface when dusting.
- Use of furniture polishes is not necessary. Should you choose to use polishes, test first in an inconspicuous area.
- Using solvents of any kind on your furniture may damage the finish.
- Never use water to clean your furniture as it may cause damage to the finish.
- Always use coasters under beverage glasses and flowerpots.
- Liquid spills should be removed immediately. Using a soft, clean cloth, blot the spill gently. Avoid rubbing.
- Always use protective pads under hot dishes and plates. Heat can cause chemical changes that may create spotting within the furniture finish.
- In the event that your furniture is stained or otherwise damaged during use, we recommend that you call a professional to repair your furniture.
- Check bolts/screws periodically and tighten them if necessary.

Further Advice about Wood Furniture Care

It is best to keep your furniture in a climate-controlled environment. Extreme temperature and humidity changes can cause fading, warping, shrinking and splitting of wood. It is advised to keep furniture away from direct sunlight as sun may damage the finish.

Proper care and cleaning at home will extend the life of your purchase. Following these important and helpful tips will enhance your furniture as it ages.

Cleaning Trim for Fireplace

Clean the metal trim using a soft cloth, slightly dampened with citrus oil based product and buff with a clean soft cloth. DO NOT use brass polish or household cleaners as these products will damage the metal trim. Citrus oil based products can be obtained at supermarkets or hardware stores.

A touch-up pen has been provided to minimize the small nicks or scratches that may occur during assembly or shipping.

We hope you enjoy your purchase for many years.
Thank you for your purchase!

QUALITY GUARANTEE

We are confident that you will be delighted with your Whalen Furniture purchase.

Should this product be defective in workmanship or materials or fail under normal use, we will repair or replace it for up to one (1) year from date of purchase. Every Whalen Furniture product is designed to meet your highest expectations. We guarantee that you will immediately see the value of our fine furniture.

This warranty gives you specific legal rights and you may also have other rights which vary from State to State.

Customer Service: 1-866-942-5362
8:30 a.m. - 4:30 p.m., PST, Monday to Friday
www.whalenfurniture.com