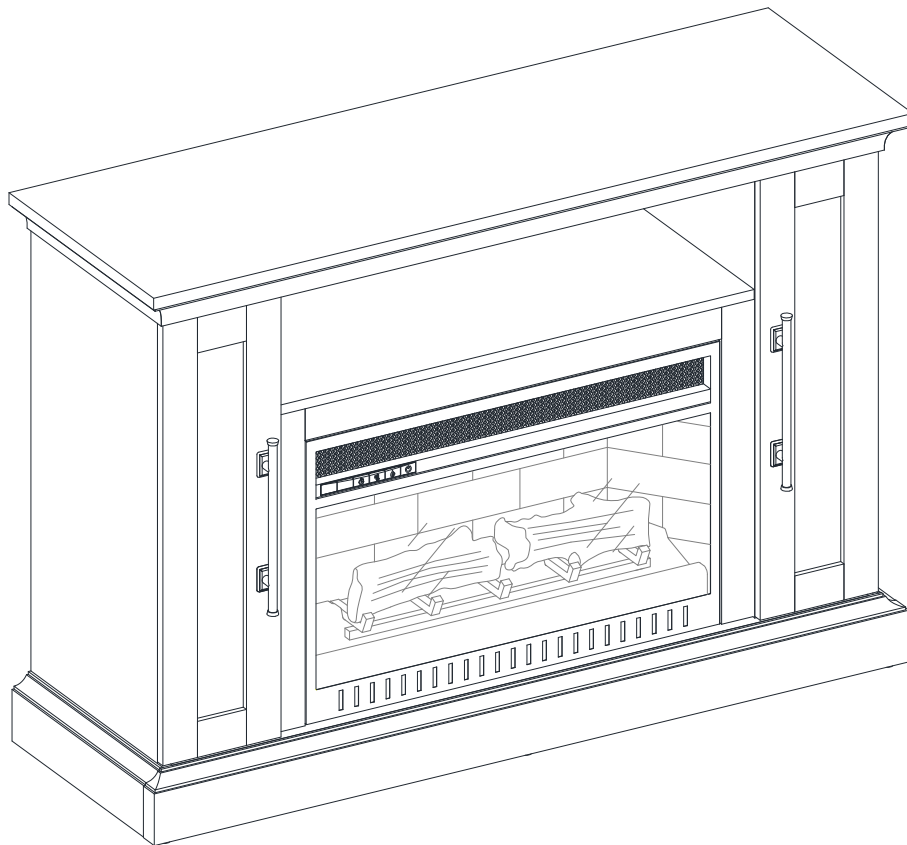




LOT NUMBER: \_\_\_\_\_  
DATE PURCHASED: \_\_/\_\_/\_\_

# Millstead 48in Fireplace Console

Model # WSF48MS26GAO  
# WSF48MS26WW



## **ADULT ASSEMBLY REQUIRED**

If you have any questions regarding assembly or if parts are missing, DO NOT return this item to the store where it was purchased. Please call our toll-free customer service number and have your instructions and parts list ready to provide the model name, part name or factory number:

**1-866-942-5362**

Pacific Standard Time: 8:30 a.m. - 4:30 p.m., Monday - Friday

Or visit our web site 24 hours a day, 7 days a week for product assistance at

**[www.whalenfurniture.com](http://www.whalenfurniture.com)**

Or e-mail your request to **[parts@whalenfurniture.com](mailto:parts@whalenfurniture.com)**

**THIS INSTRUCTION BOOKLET CONTAINS IMPORTANT SAFETY INFORMATION.  
PLEASE READ AND KEEP FOR FUTURE REFERENCE.**

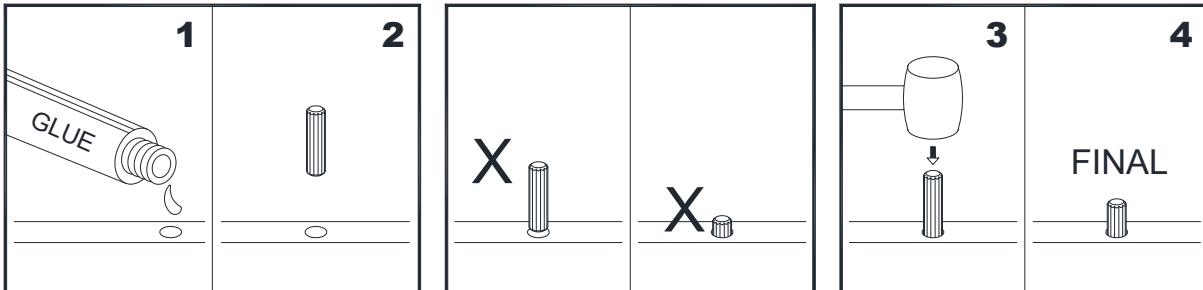
Date 2019-06-25 Rev. 0001-A

## IMPORTANT

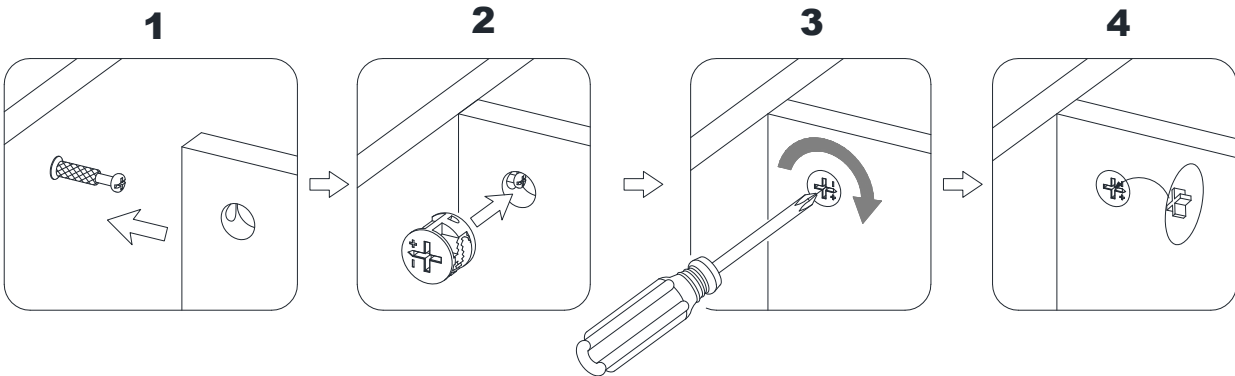
**Before you begin:** Open, identify and count all parts prior to assembly. Lay out parts on a flat and non-abrasive surface. You will need the parts identified on page 3 and 4 of this instruction manuals.

**NOTE:** IT IS VERY IMPORTANT TO USE GLUE WITH THE DOWELS. EXCESS GLUE CAN BE WIPED OFF WITH A DAMP CLOTH.

Insert dowel at least half way by tapping lightly with a rubber mallet (not included), IF NECESSARY.



## CAM LOCK SYSTEM OPERATION



## HOW THE KNOCK DOWN (KD) ASSEMBLY SYSTEM WORKS

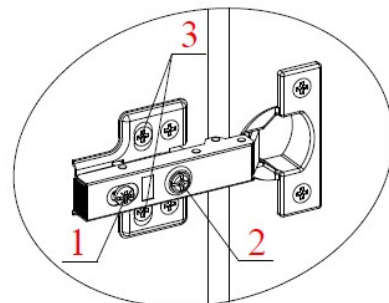
1. Screw the Cam Bolt into the pre-drilled small holes on the panel. Connect both panels together; making sure the Cam Bolt goes into the pre-drilled hole at the end of the panel with the Cam Lock.
2. Insert the Cam Lock into the pre-drilled large hole in the panel. Make sure the arrow on the Cam Lock is pointed towards the Cam Bolt.
3. Once the Cam Bolt is connected inside the Cam Lock, take a Phillips screwdriver (not included) and tighten the Cam Lock clockwise.
4. Plug the Cam Lock Cover into the cross slot of the Cam Locks to conceal the cam.

**You are now ready to assemble the KD unit.**

## How to adjust the European adjustable hinges on doors

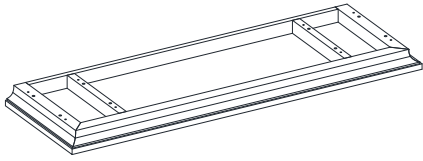
Shipping may cause doors to go out of alignment. If you find that the doors need to be adjusted slightly, turn the appropriate screw, as illustrated.

1. TO ADJUST DOOR FORWARD OR BACKWARD.
2. TO ADJUST DOOR TO RIGHT OR TO LEFT.
3. TO ADJUST DOOR UP OR DOWN.

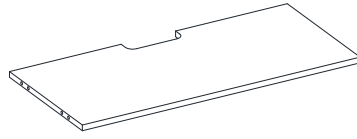


## Parts and Hardware List

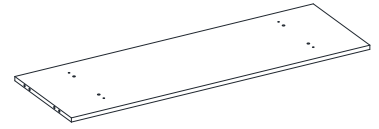
Please read completely through the instructions and verify that all listed parts and hardware are present before beginning assembly.



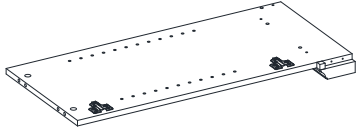
A- Top Panel (Qty. 1)



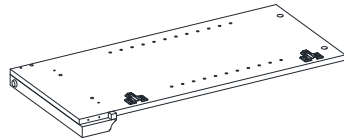
B- Fixed Shelf (Qty. 1)



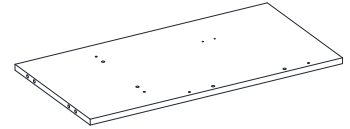
C- Bottom Panel (Qty. 1)



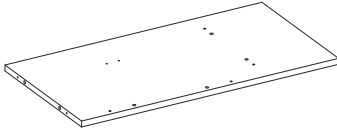
D- Left Side Panel (Qty. 1)



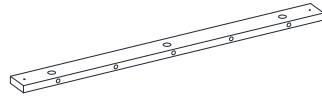
E- Right Side Panel (Qty. 1)



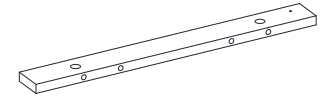
F- Left Partition Panel (Qty. 1)



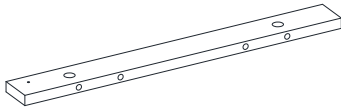
G- Right Partition Panel (Qty. 1)



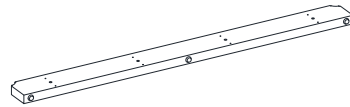
H- Middle Crossbar (Qty. 1)



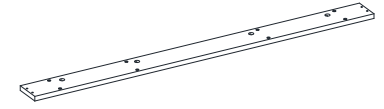
I- Middle Left Stile (Qty. 1)



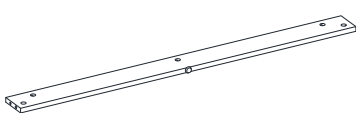
J- Middle Right Stile (Qty. 1)



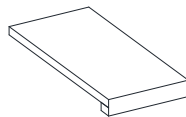
K- Base Front Molding (Qty. 1)



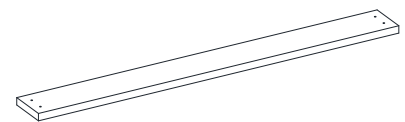
L- Base Front Stretcher (Qty. 1)



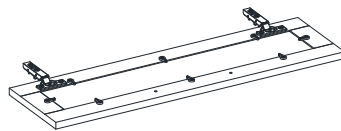
M- Base Rear Stretcher (Qty. 1)



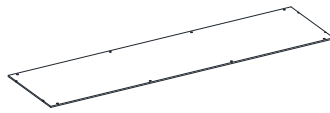
N- Adjustable Shelf (Qty. 4)



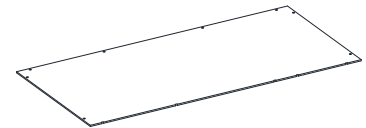
O- Firebox Support (Qty. 1)



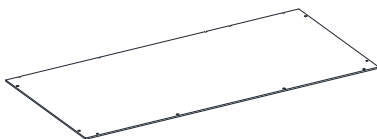
P- Door (Qty. 2)



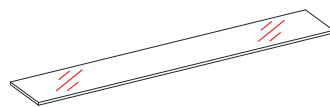
Q- Middle Back Panel (Qty. 1)



R- Left Back Panel (Qty. 1)



S- Right Back Panel (Qty. 1)



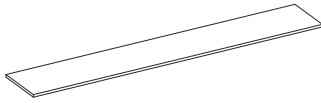
T- Glass Door Insert (Qty. 2)



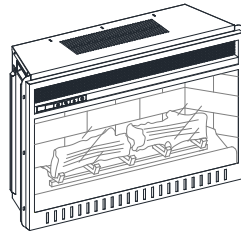
U- Mesh Trim (Qty. 2)

## Parts and Hardware List

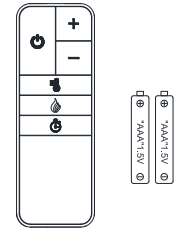
Please read completely through the instructions and verify that all listed parts and hardware are present before beginning assembly.



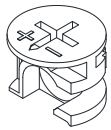
V- Wood Door Insert (Qty. 2)  
(Pre-attached)



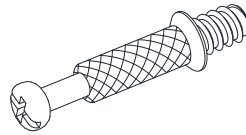
Fireplace Insert (Qty. 1)



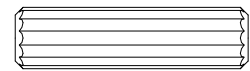
Remote Control with Battery (Qty. 1)



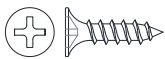
(1) Cam Lock  
(Qty. 32+1 extra)



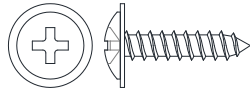
(2) Cam Bolt  
(Qty. 32+1 extra)



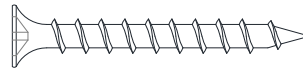
(3) M8 x 30 mm Wood Dowel  
(Qty. 37+1 extra)



(4) M3.5 x 12 mm Screw  
(Qty. 20+1 extra)



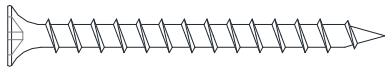
(5) M3.5 x 15 mm Washer Head Screw  
(Qty. 34+1 extra)



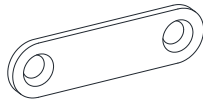
(6) M4 x 38 mm Screw  
(Qty. 12+1 extra)



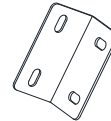
(7) M3.5 x 15 mm Pan Head Screw  
(Qty. 8+1 extra)



(8) M4 x 50 mm Screw  
(Qty. 4+1 extra)



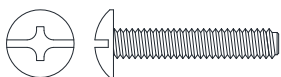
(9) Mending Plate  
(Qty. 2)



(10) L-shaped Metal Bracket  
(Qty. 2)



(11) Handle  
(Qty. 2)



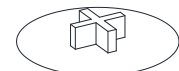
(12) 5/32" x 22 mm Bolt  
(Qty. 4+1 extra)



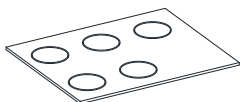
(13) Shelf Support  
(Qty. 16+1 extra)



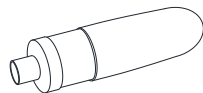
(14) Acrylic Stopper  
(Qty. 1)



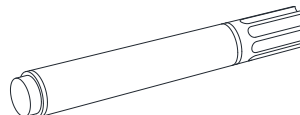
(15) Cam Cover  
(Qty. 8+1 extra)



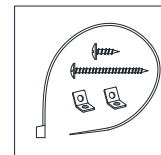
(16) Rubber Bumper  
(Qty. 4+1 extra)



Glue  
(Qty. 1)



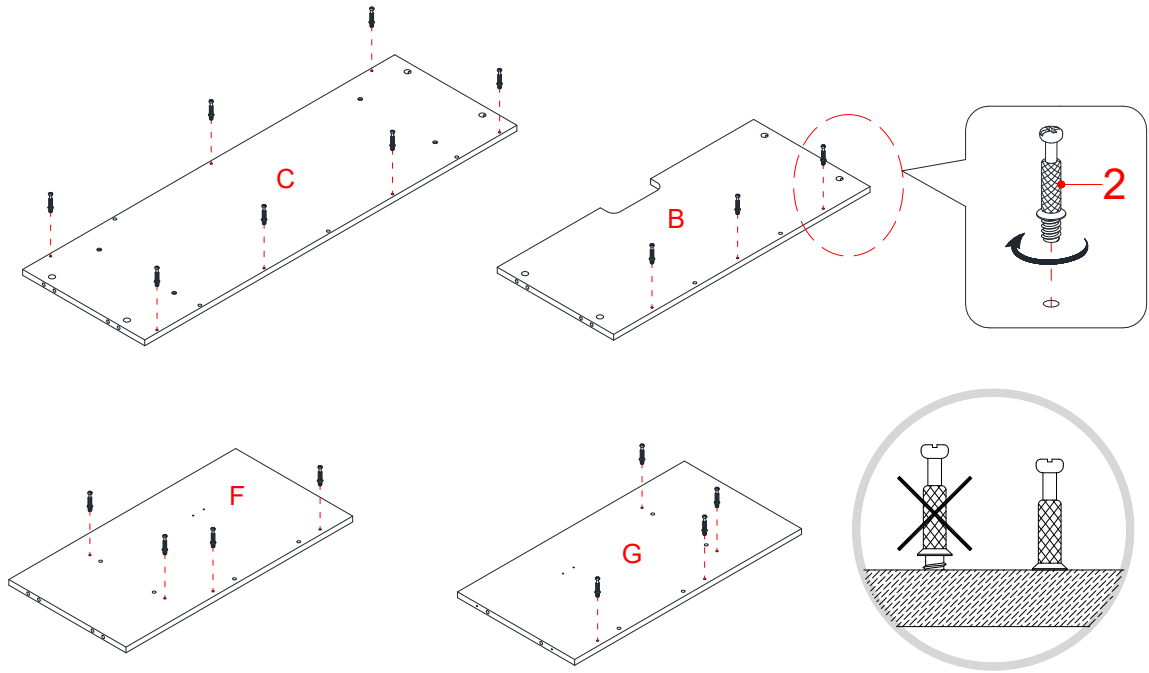
Touch-up Pen  
(Qty. 1)



Tipping Restraint Hardware Kit (Qty. 2)  
(Included in plastic bag)

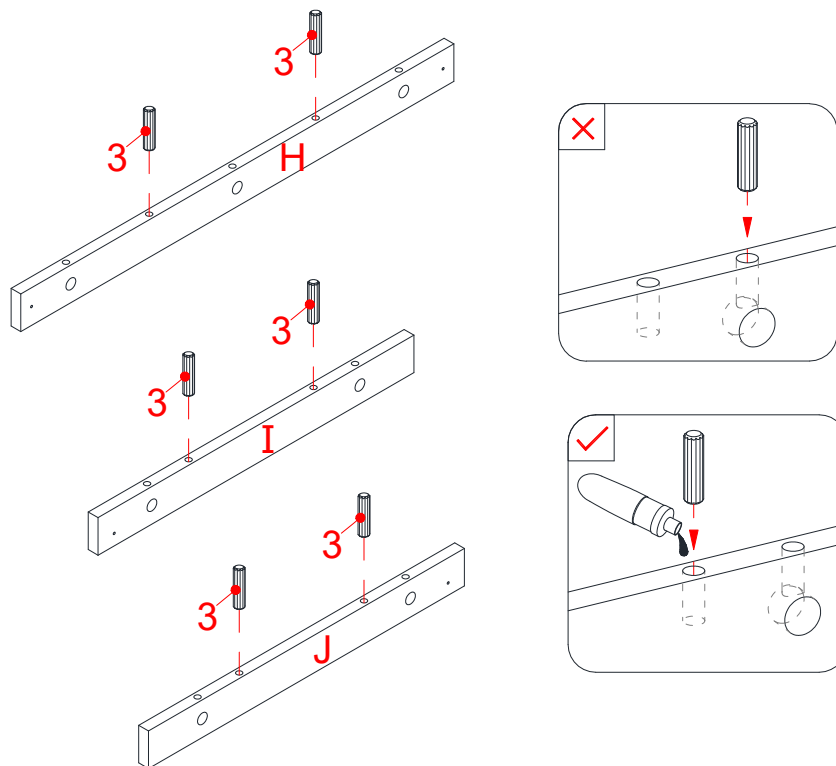
**Tools required (not included):** Phillips screwdriver, stud finder, pencil, tape measure, power drill and 1/8 in drill bit.

## Assembly Instructions



1. Unpack the unit and confirm that you have all the hardware and required parts. Assemble the unit on a carpeted floor or the empty carton to avoid any scratch.
2. Securely screw the Cam Bolts (2) into the designated small holes on the Fixed Shelf (B), Bottom Panel (C) and Partition Panels (F and G) with a Phillips screwdriver.

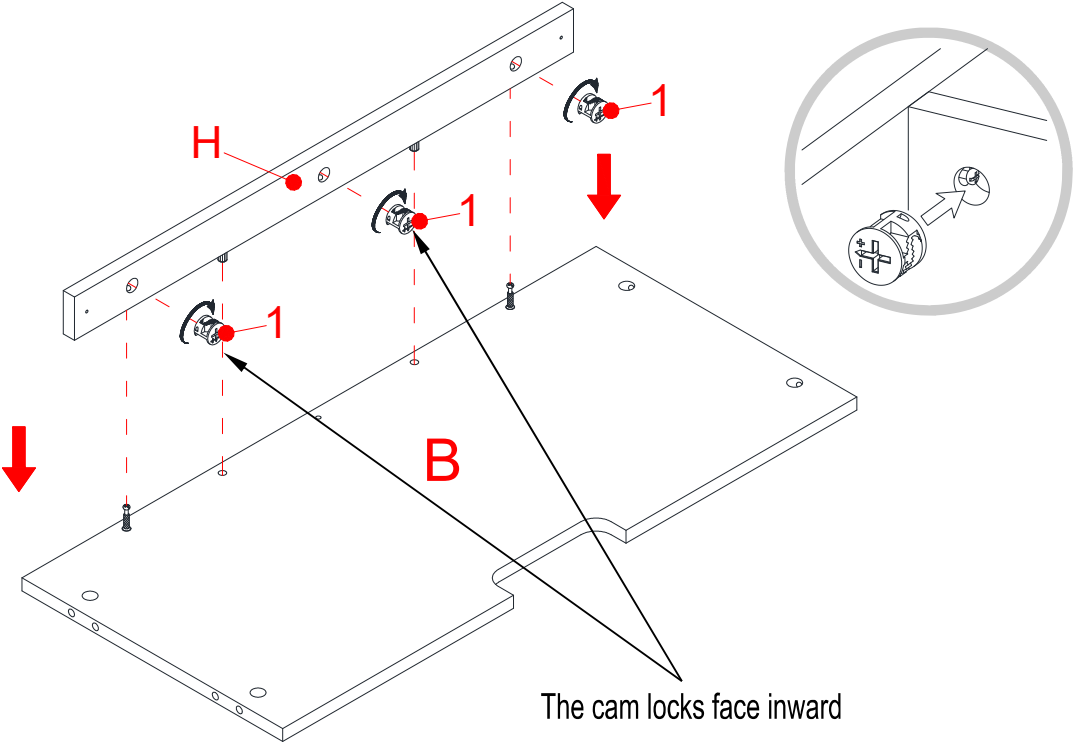
**NOTE:** Screw-in cam bolts must be screwed down flush.



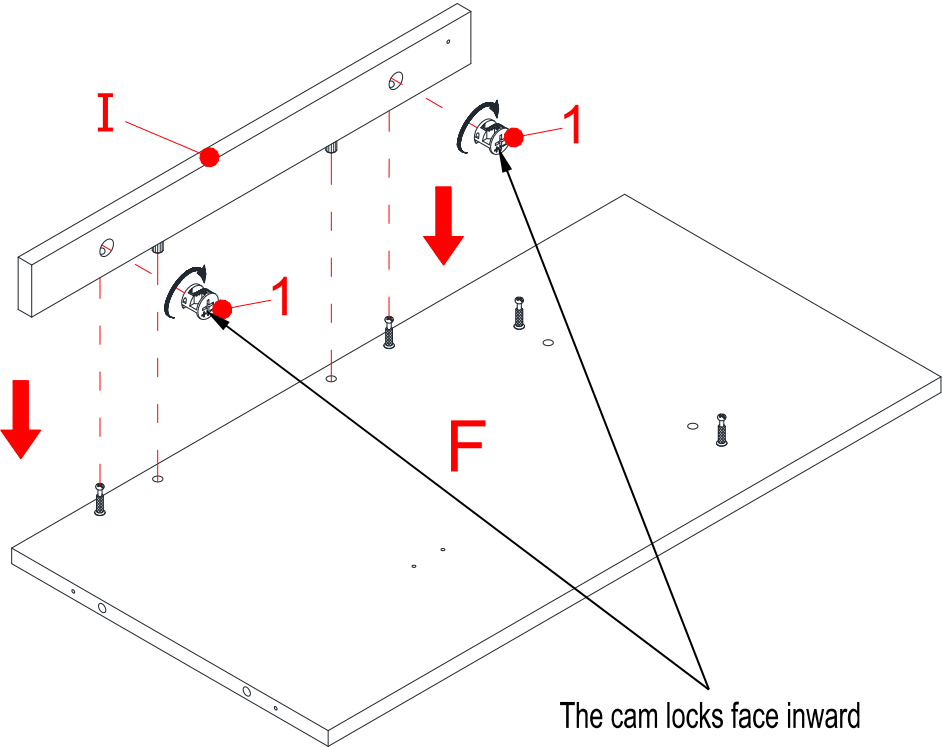
3. Insert two Wood Dowels (3) into the inner holes on the long edge of Middle Crossbar (H) and each Partition Stile (I and J). Make sure that you use a small amount of glue with both ends of all dowels.

**NOTE:** It is very important to use a small amount of glue on both ends of dowels.

# Assembly Instructions

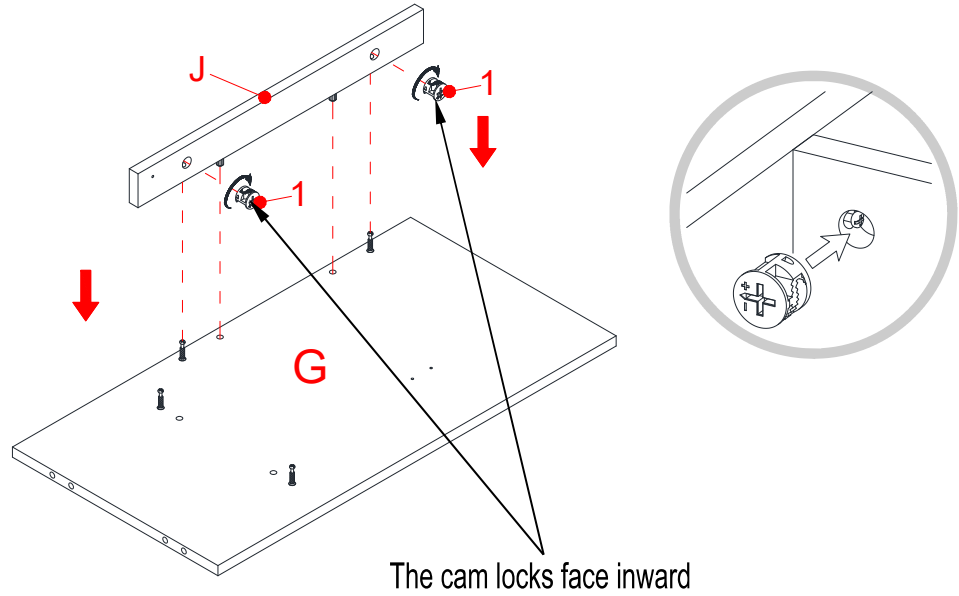


- 4. Align and attach the Middle Crossbar (H) to the Fixed Shelf (B) by engaging three Cam Locks (1) (Refer to page 2 on Cam Lock system operation supplement).

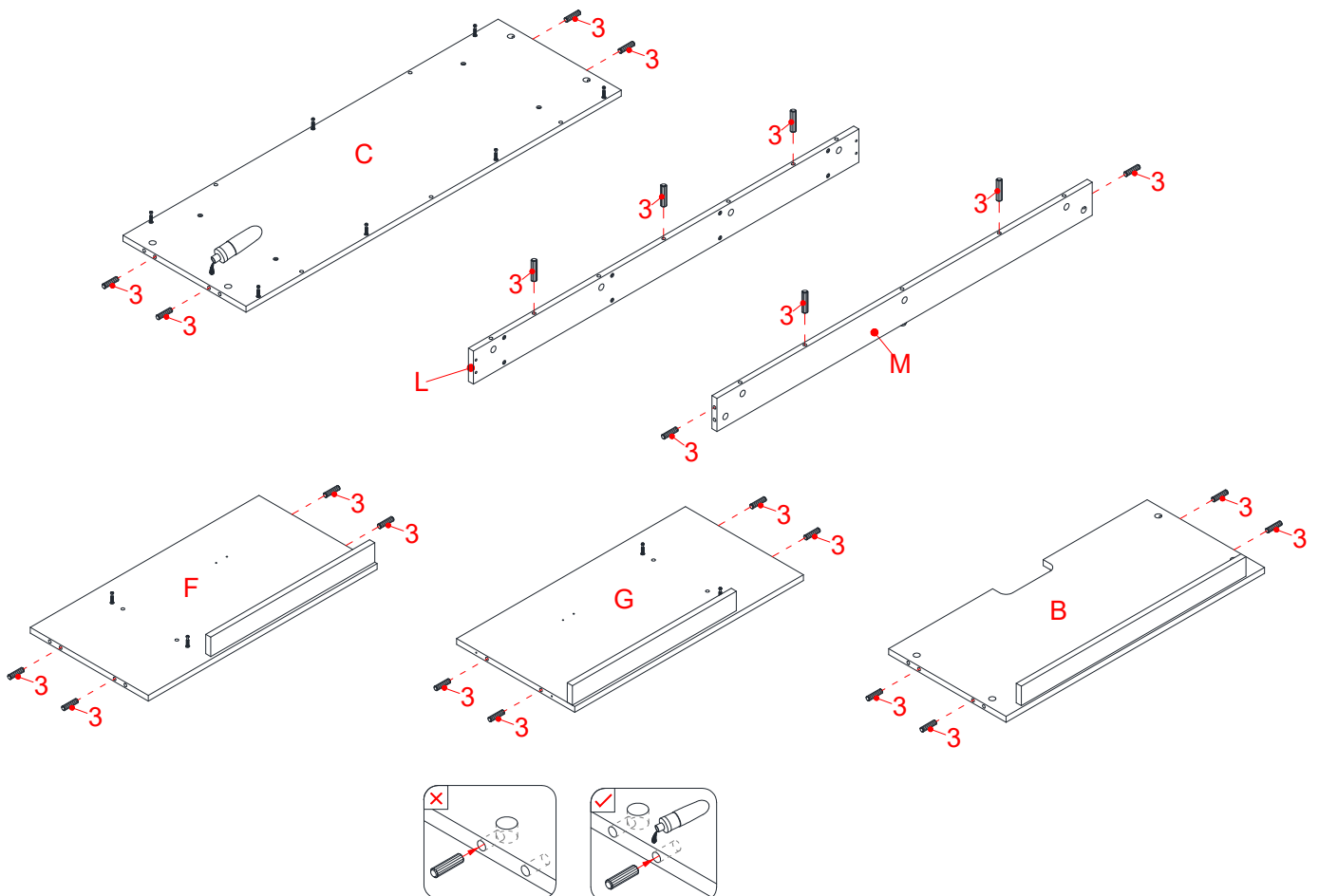


- 5. Align and attach the Middle Left Stile (I) to the Left Partition Panel (F) by engaging two Cam Locks (1).

## Assembly Instructions



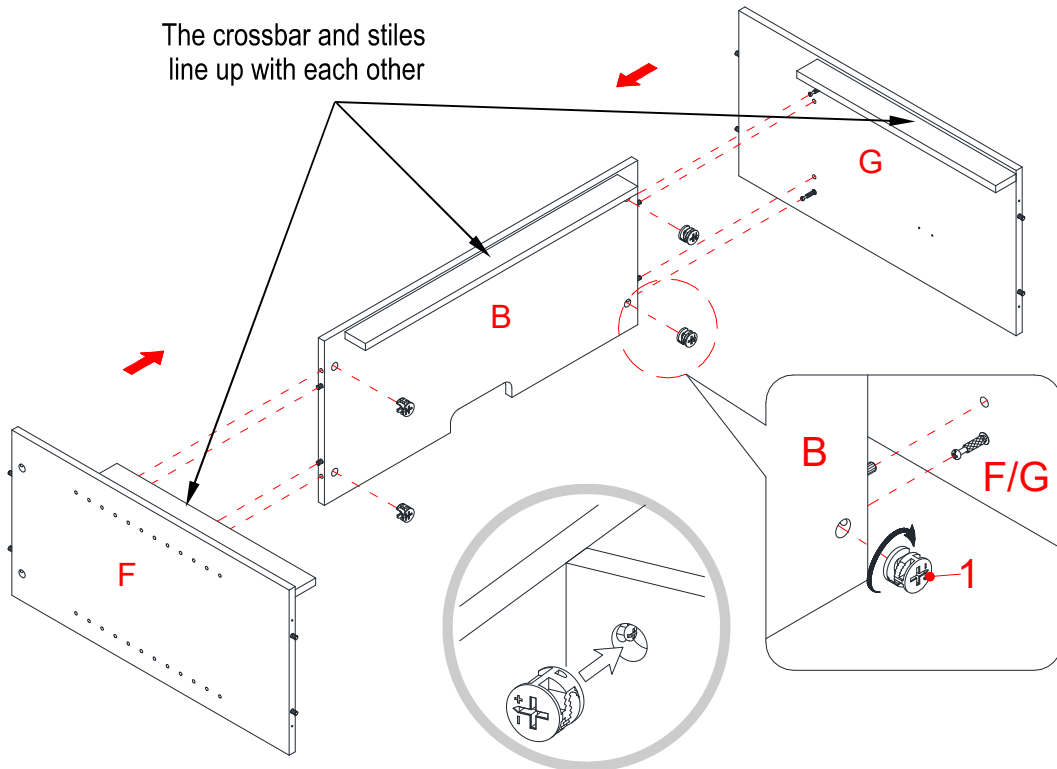
6. Align and attach the Middle Right Stile (J) to the Right Partition Panel (G) by engaging two Cam Locks (1).



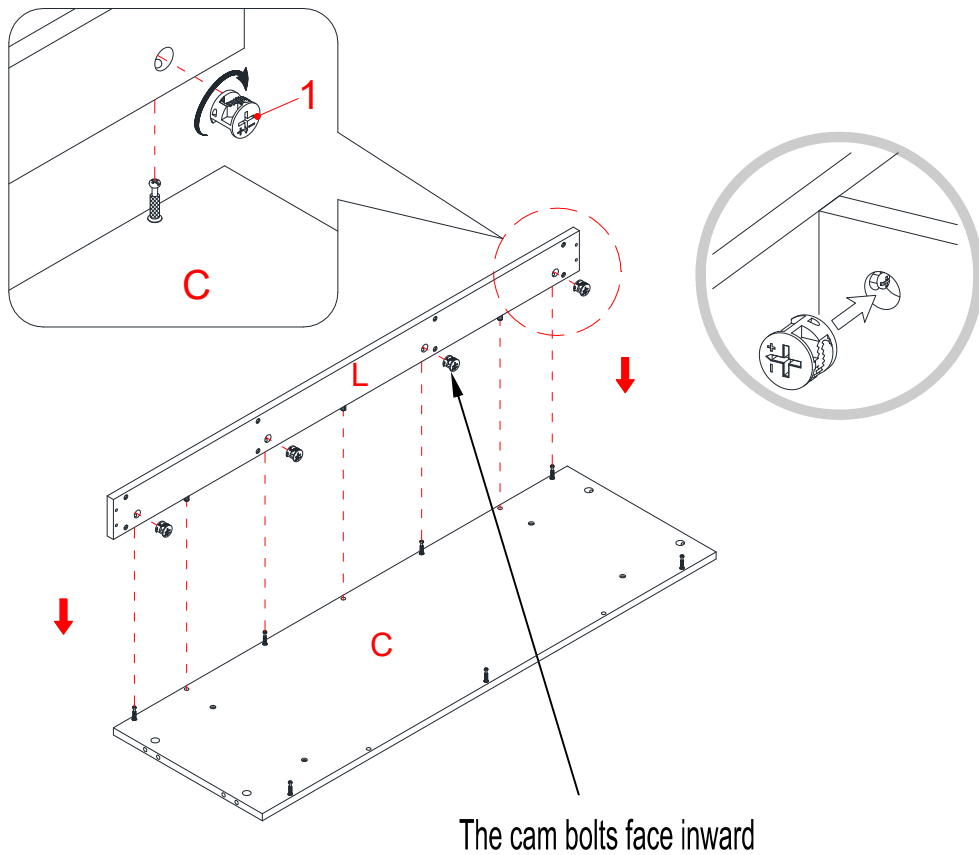
7. Glue the Wood Dowels (3) into the inner holes of Fixed Shelf (B), Bottom Panel (C), Partition Panels (F and G), Base Front Stretcher (L) and Base Rear Stretcher (M) as shown.

**NOTE:** Do Not Insert the wood dowels into the cam bolts holes

## Assembly Instructions



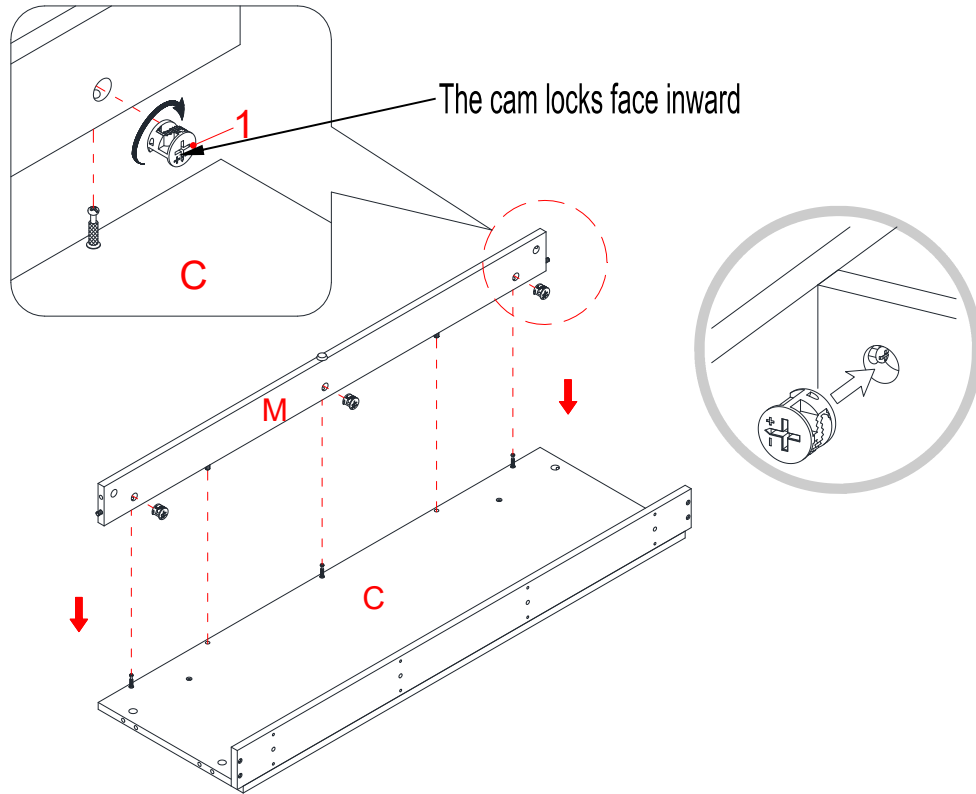
8. Attach the Fixed Shelf (B) between the Partition Panels (F and G) by engaging four Cam Locks (1).



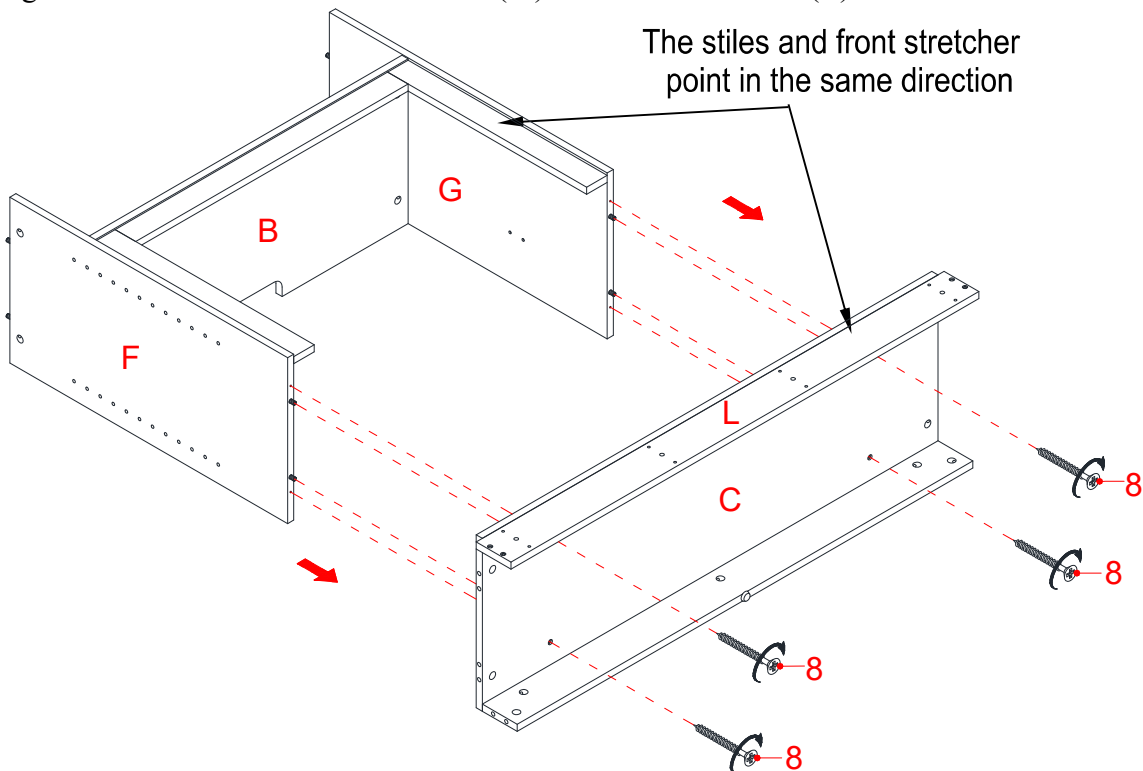
9. Align and attach the Base Front Stretcher (L) to the Bottom Panel (C) with four Cam Locks (1).



## Assembly Instructions

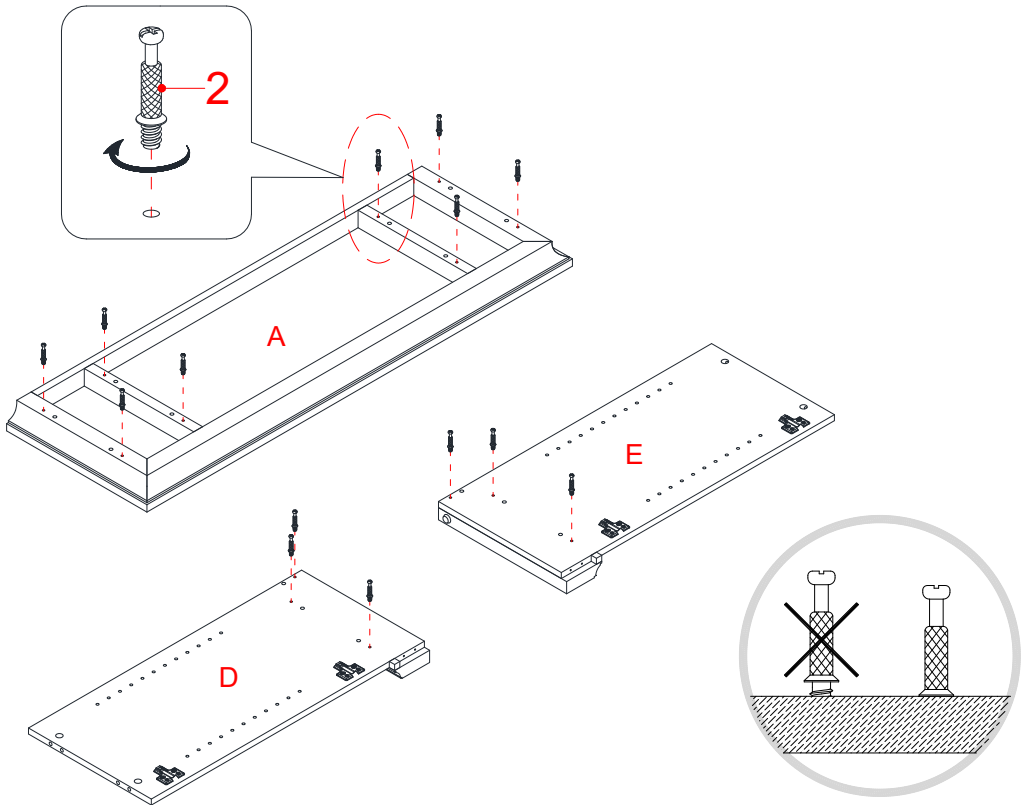


10. Align and attach the Base Rear Stretcher (M) to the Bottom Panel (C) with three Cam Locks (1).

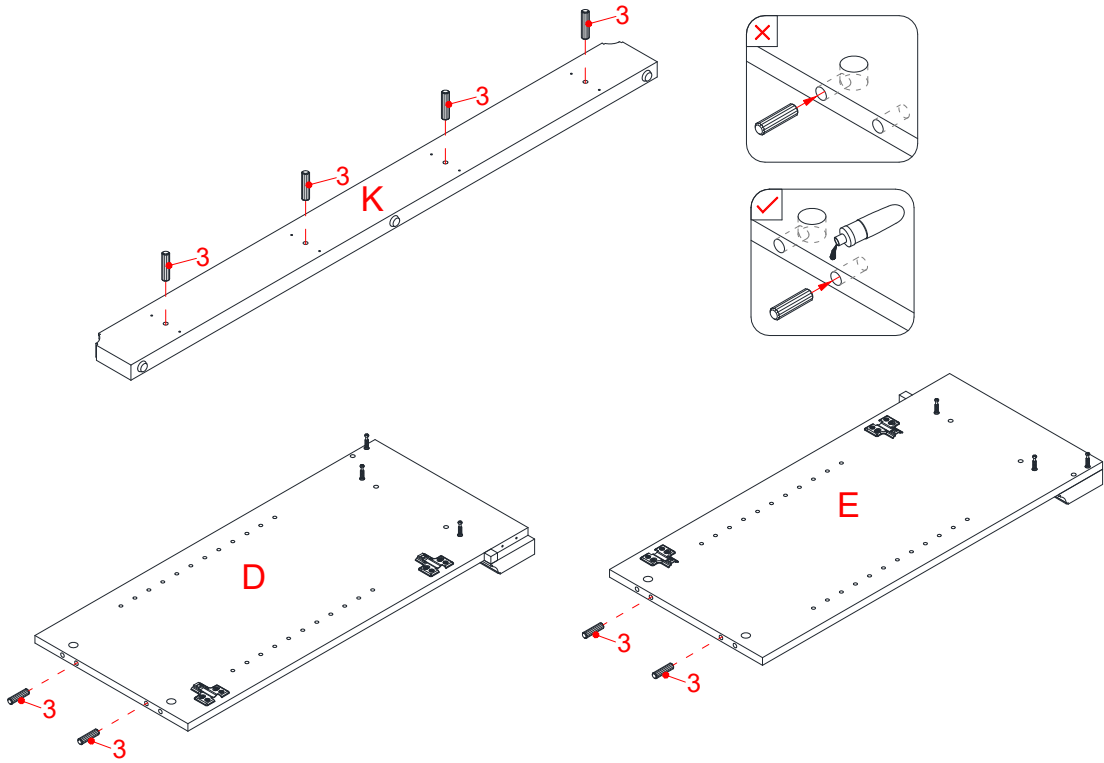


11. Using the wood dowels as a guide, firmly press the assembled Partition Panels (F and G) to the Bottom Panel (C) and fasten them in place with four 50 mm Screws (8). Fully tighten the screws with a Phillips screwdriver.

# Assembly Instructions

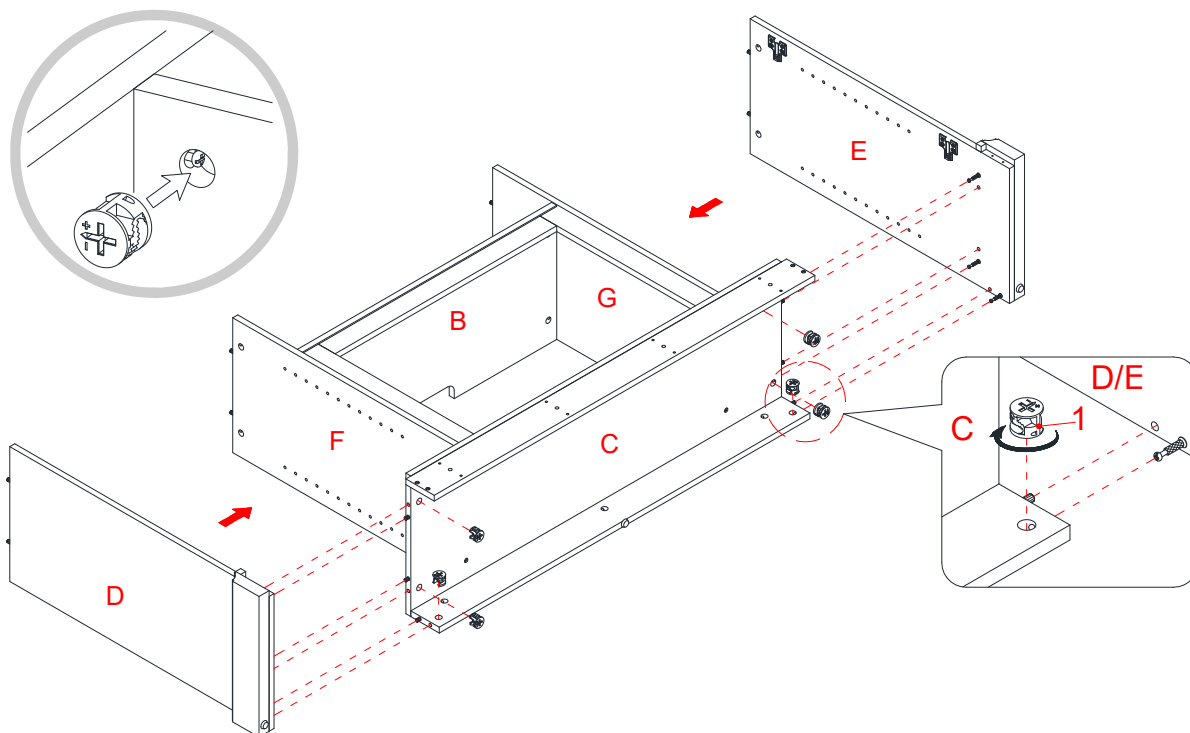


12. Securely screw the Cam Bolts (2) into the designated small holes on the Top Panel (A) and Side Panels (D and E) with a Phillips screwdriver.

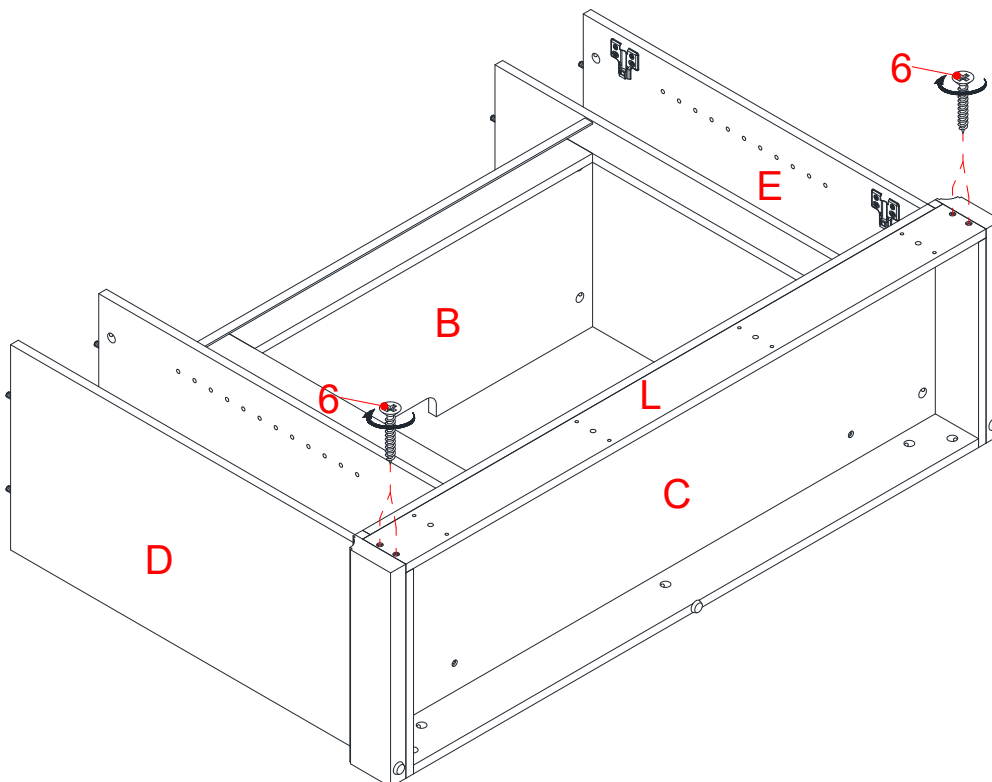


13. Glue the Wood Dowels (3) into the inner holes on both Side Panels (D and E) and the Base Front Molding (K) as shown.

## Assembly Instructions

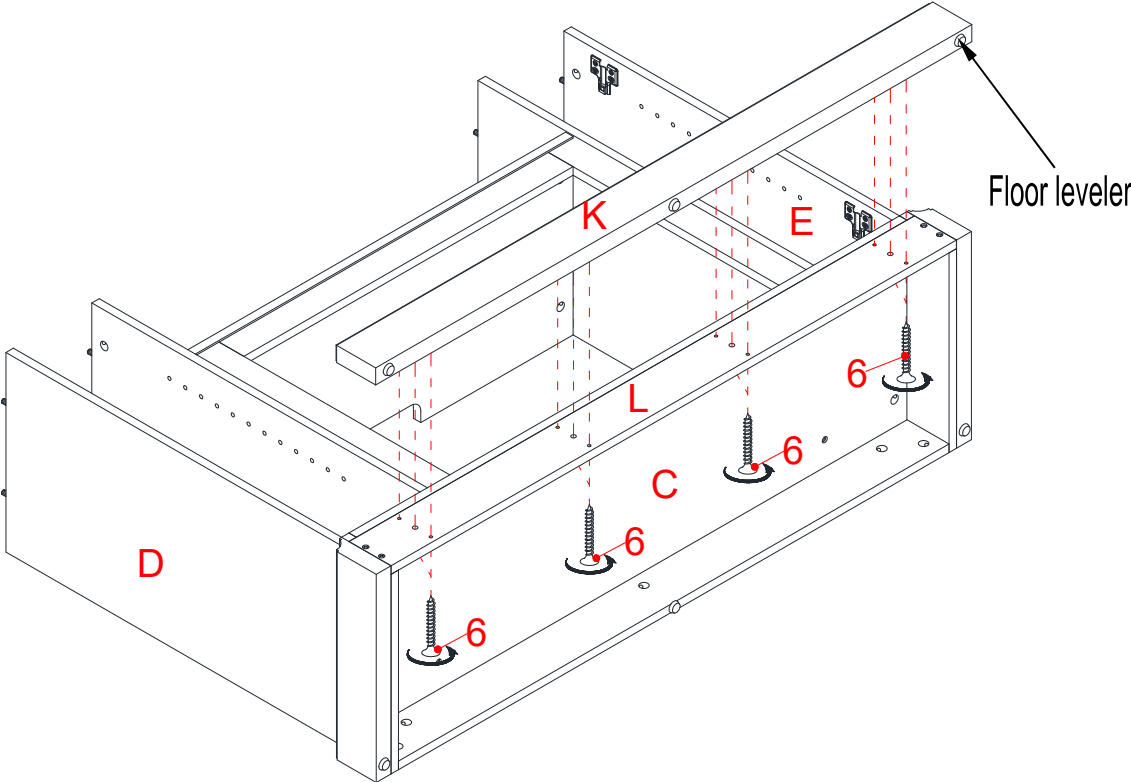


14. Align the large holes on the Left Side Panel (D) with the inserted Wood Dowels (3) on the assembled base. Firmly press them together and fasten it in place by engaging three Cam Locks (1).
15. Repeat the same procedure to attach the Right Side Panel (E) at the other end.

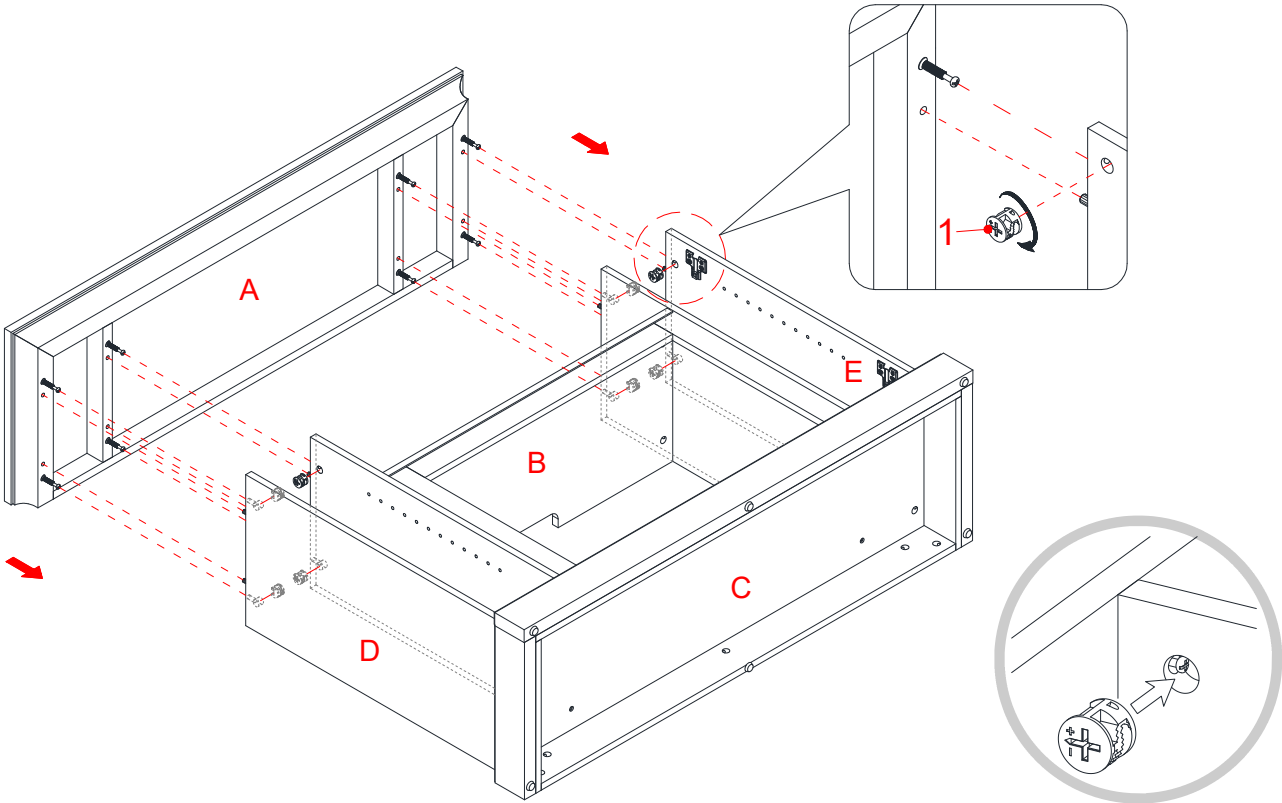


16. Fasten the Base Front Stretcher (L) to both Side Panels (D and E) with four 38 mm Screws (6).

# Assembly Instructions

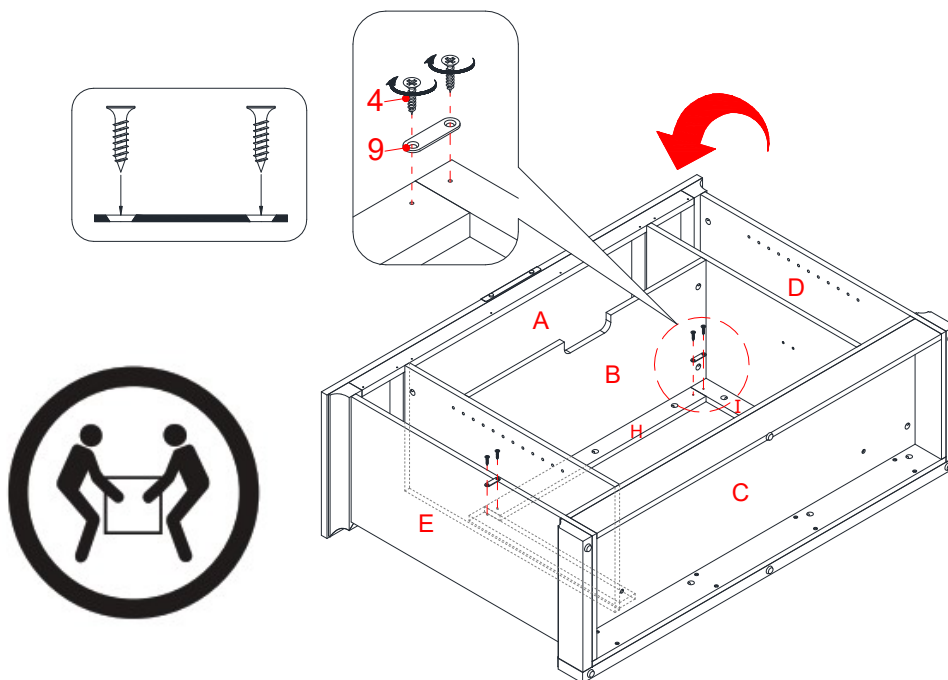


17. Attach the Base Front Molding (K) to the Base Front Stretcher (L) by using eight 38 mm Screws (6).

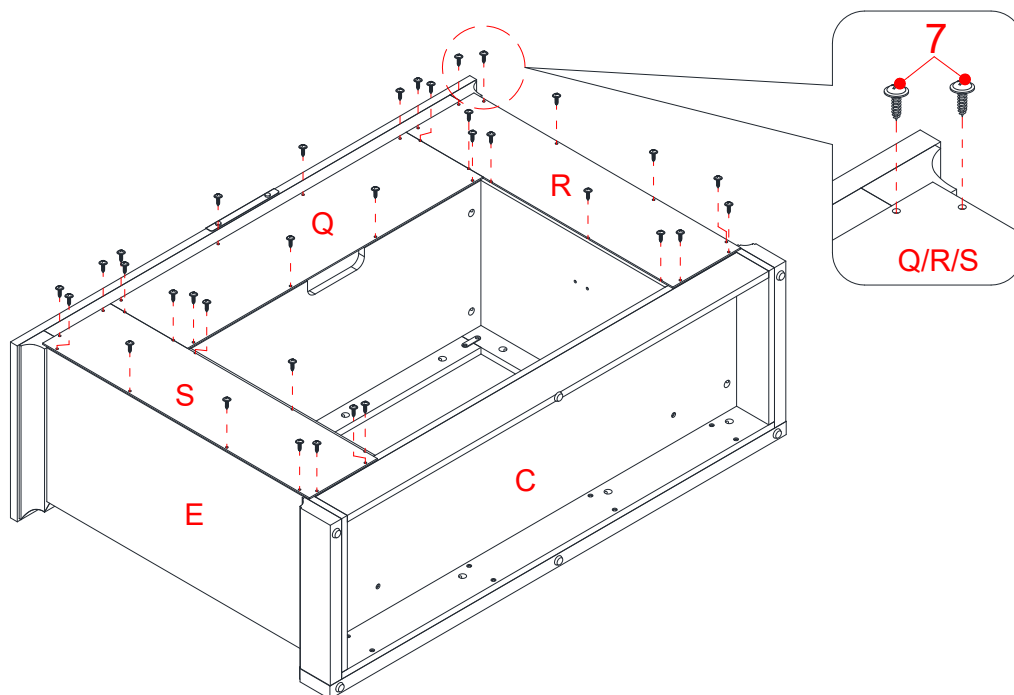


18. Place the Top Panel (A) onto the inserted Wood Dowels (3) properly and fasten it in place by engaging eight Cam Locks (1).

## Assembly Instructions



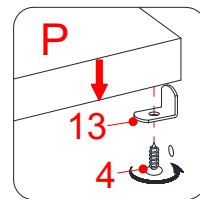
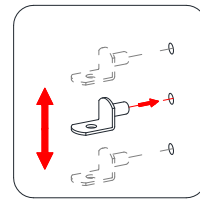
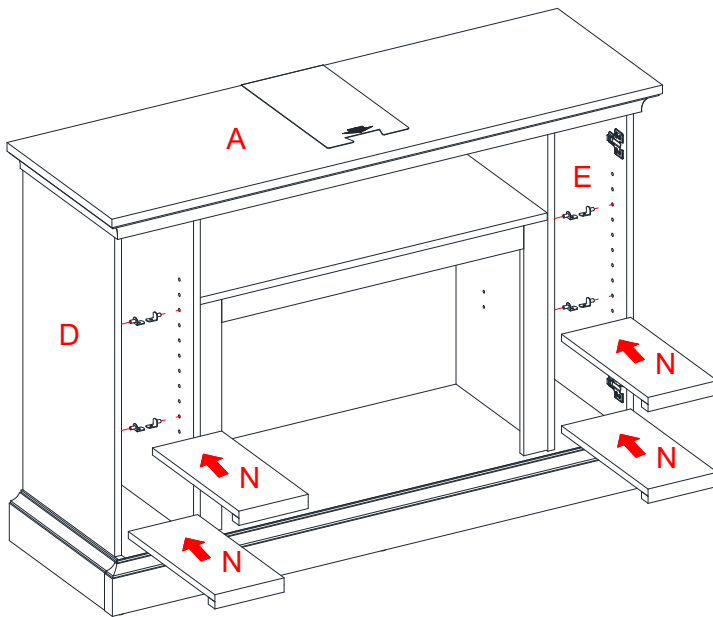
19. Ask for assistance to flip the unit around at its front edge as shown.
20. With the pilot holes as a guide, fasten the Middle Crossbar (H) to the Middle Stiles (I and J) by attaching two Mending Plates (9) at the joints, using two 12 mm Screws (4) per plate.



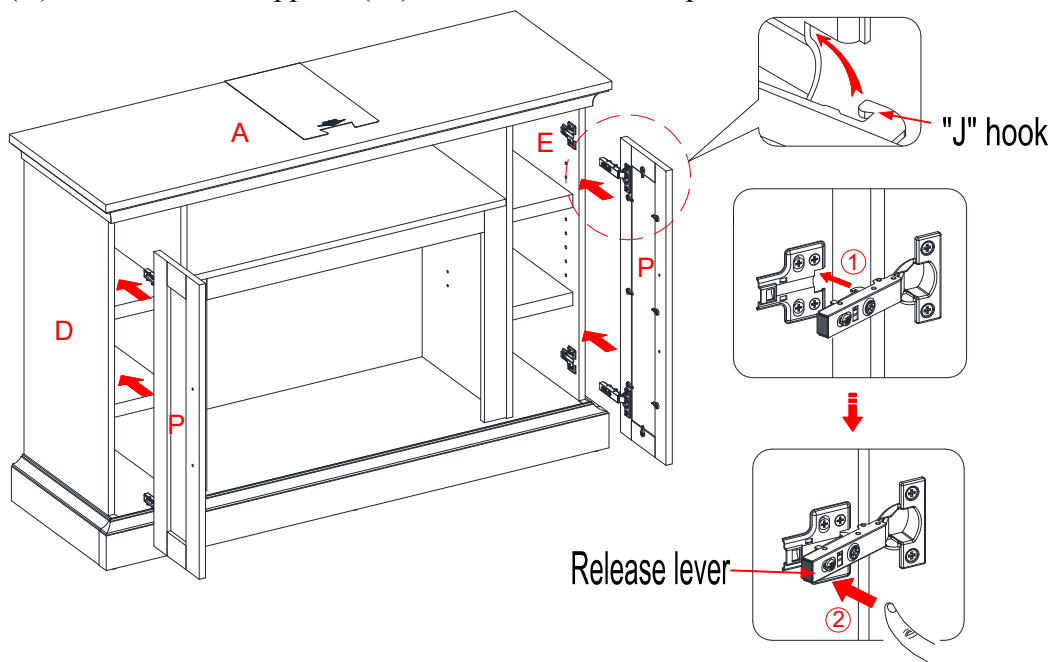
21. Now, go back and securely tighten all the cam locks and screws. Make sure that all the parts are tight and there are no gaps between the parts. This will help keep the unit square.
22. Pick up the Middle Back Panel (Q) and align the pre-drilled holes against the upper long edge with the pilot holes on the back rail of Top Panel (A). Attach the Middle Back Panel (Q) in place with provided 15 mm Washer Head Screws (5).
23. Using the pilot holes as a guide, align and attach the Side Back Panels (R and S)) to the mantel frame with the provided 15 mm Washer Head Screws (5).

**NOTE:** We recommend attaching back panel with washer head screws at the corners first.

## Assembly Instructions

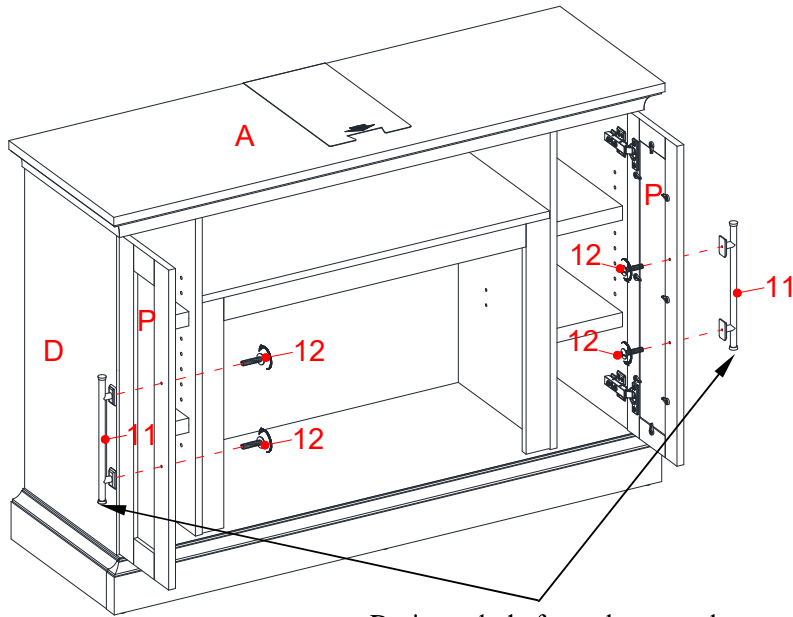


24. Ask for assistance to lift the assembly unit upright and position it near the final location.
25. Insert eight Shelf Supports (13) into the holes at the desired height inside each side compartment. Make sure you place four shelf supports in the same level, so the shelf is not tilted. Tilt and rest the Adjustable Shelves (N) onto the Shelf Supports (13) and secure them into place with 12 mm Flat Head Screws (4).



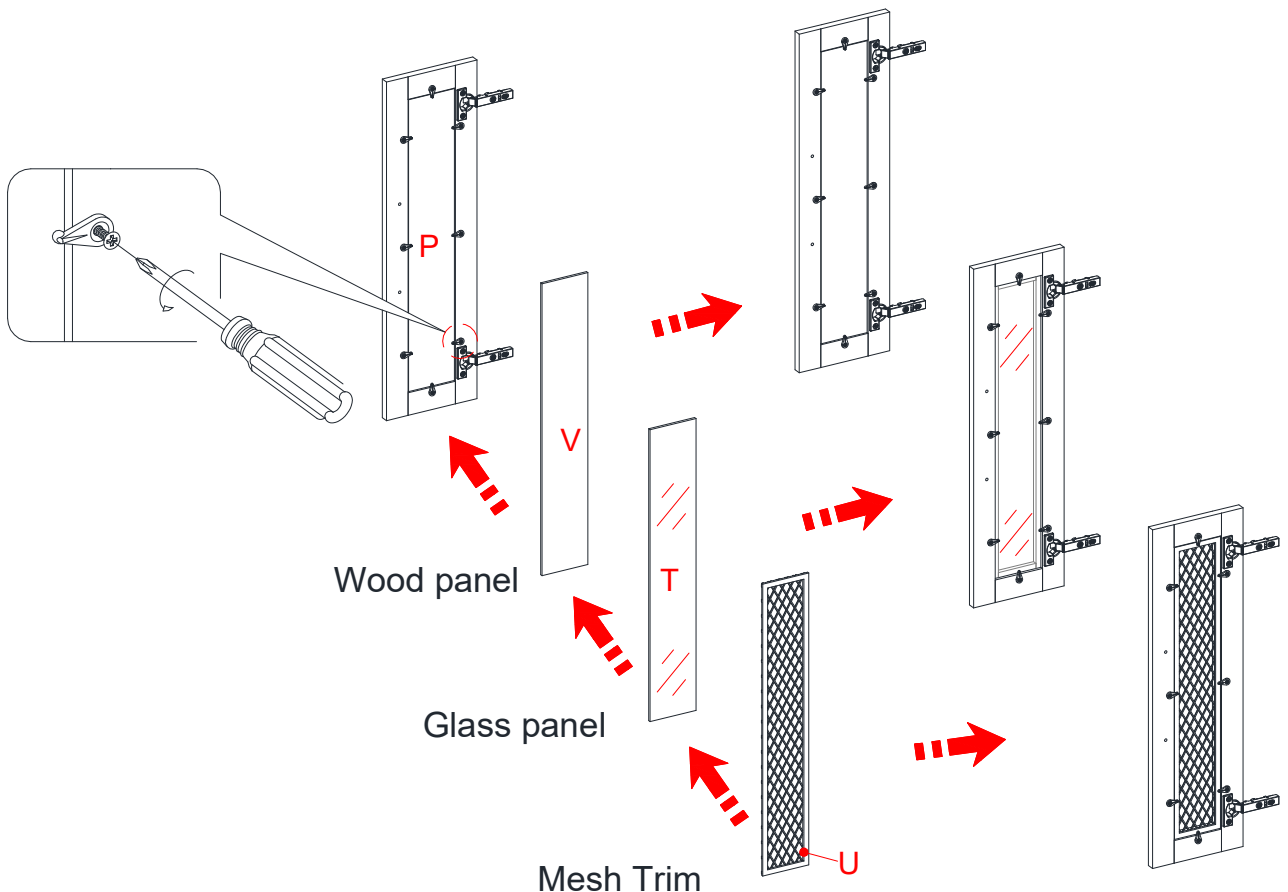
26. Pick up one Door (P) and attach the extended hinge arms to the hinge bases installed on the Right Side Panel (E). Please follow the steps below to combine the door hinges together.
  - a). Extend both hinge arms of the Door (P) to open position.
  - b). Locate the lugs on the mounting plates pre-attached on the Right Side Panel (E) into the “J” hooks beneath the hinge arms.
  - c). Press lightly on the end of both hinge arms to engage the catch.
  - d). To remove the hinge arms from the mounting plates, press gently in the release lever on the back of hinge arms.
27. Repeat the same procedure to install the other Door (P) to the Left Side Panel (D).
28. Open and close the doors to make sure they are aligned and shut correctly. If necessary, adjust the screws for a good fit. Refer to the hinge sticker on door for adjustment.

## Assembly Instructions



Drainage hole faces downward

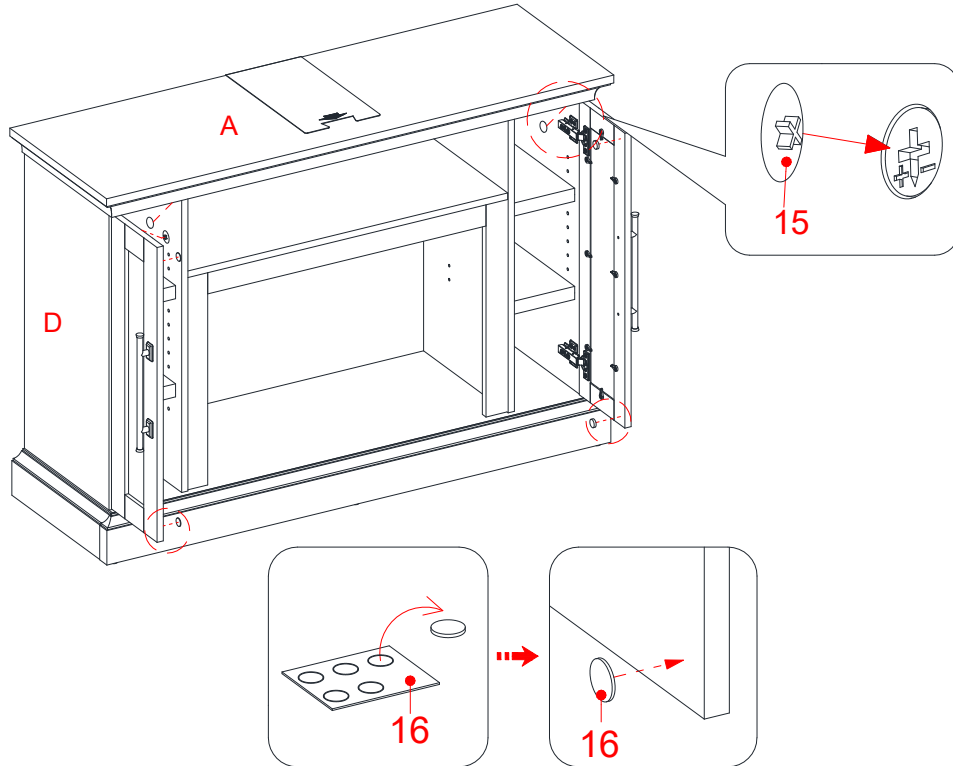
29. Open the doors and attach one Handle (11) to the front side of each Door (P) with two 22 mm Bolts (12).



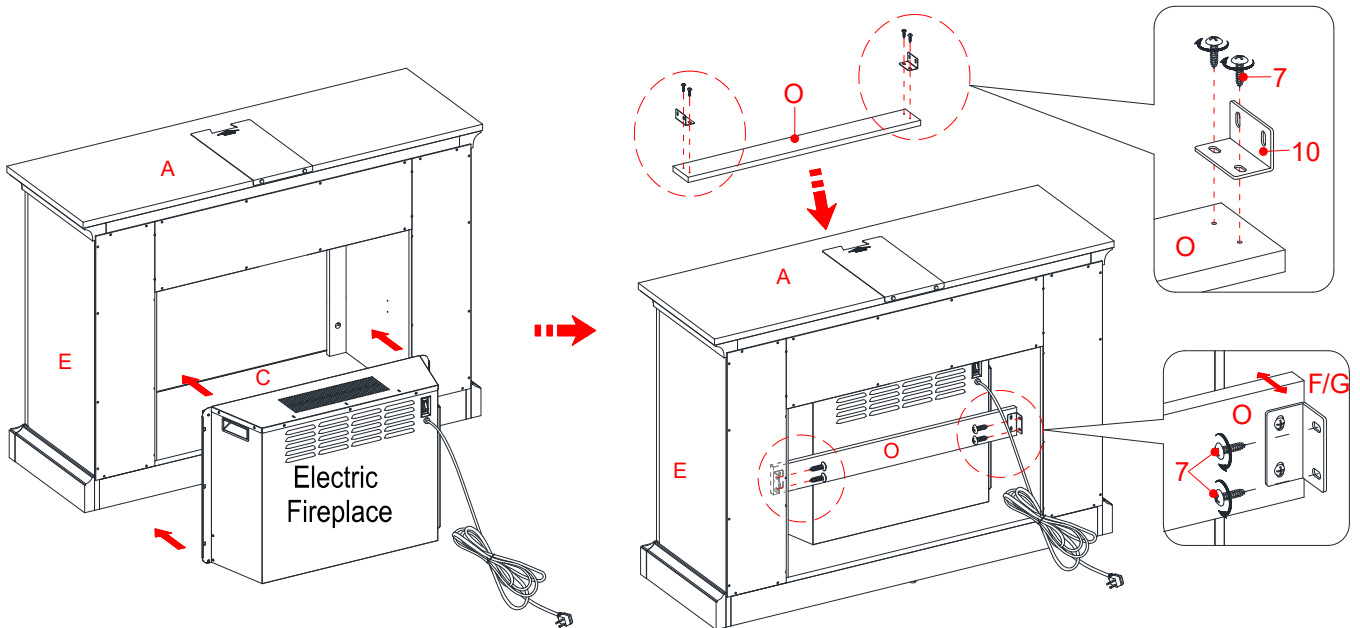
**NOTE:** The doors are shipped with Wood Door Insert Panels (V). You can keep the doors as they are or interchange with the Door Glass Insert (T) or Mesh Trims (U) depending on your configuration.

30. To change the configuration, loosen the screws on the inside of Doors (P) and rotate the clips to remove the door insert panel. Replace with the desired panel or mesh trim, then rotate clips to secure the panel or mesh trim within the door frame and tighten screws.

## Assembly Instructions



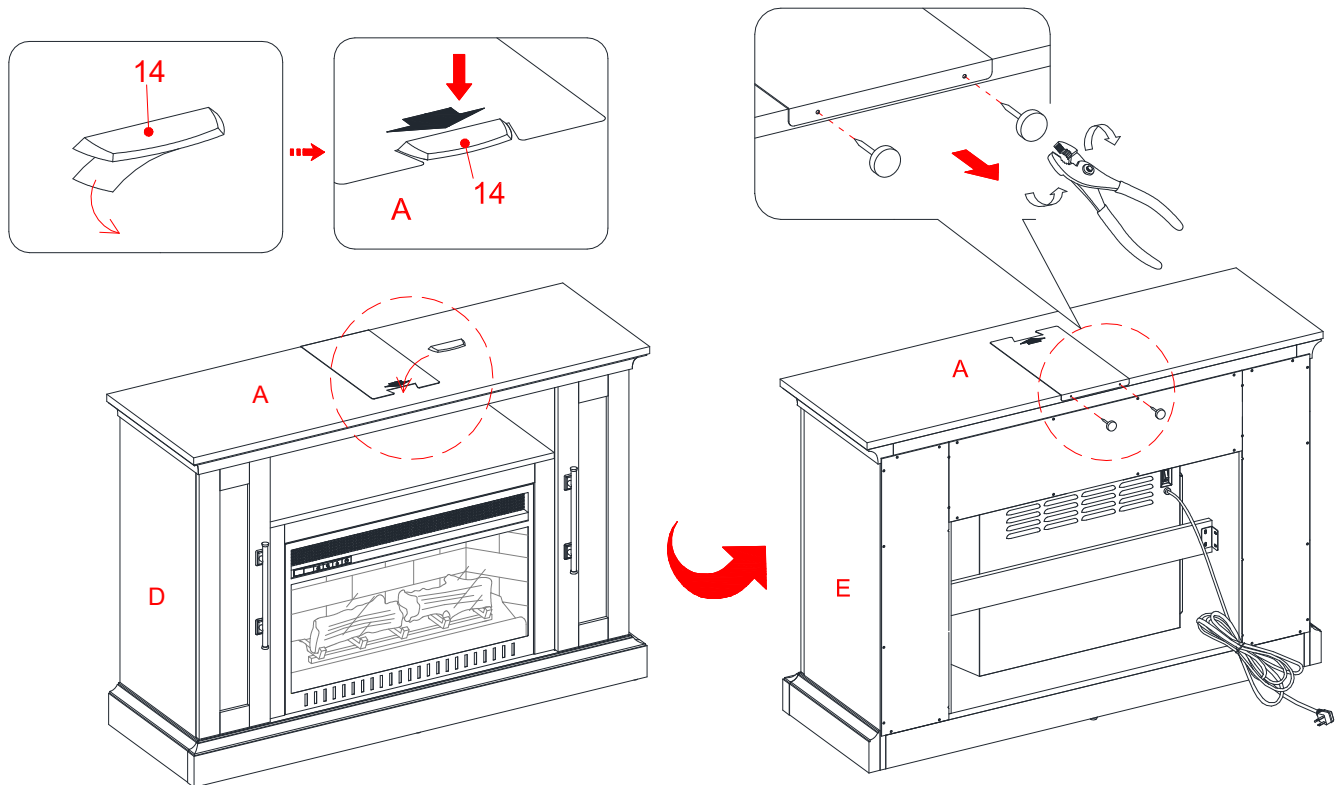
31. Plug Cam Lock Covers (15) onto the visible Cam Locks to conceal the cams.
32. Stick the Rubber Bumpers (16) on the outer corners of the Doors (P) where they meet the partition panels.



33. Lift the fireplace insert carefully into the back of the assembled mantel and center it in the opening. **DO NOT** drag the insert across the Bottom Panel (C) as it may scratch the unit.
34. Use the pilot holes as a guide, fasten two L-shaped Metal Brackets (10) onto the Firebox Support (O) with four 15 mm Pan Head Screws (7) Make sure that the right angle is flush with the short edge of Firebox Support (O).
35. Use the pilot holes as a guide, fasten the Firebox Support (O) between the Partiton Panels (F and G) with four 15 mm Pan Head Screws (7).



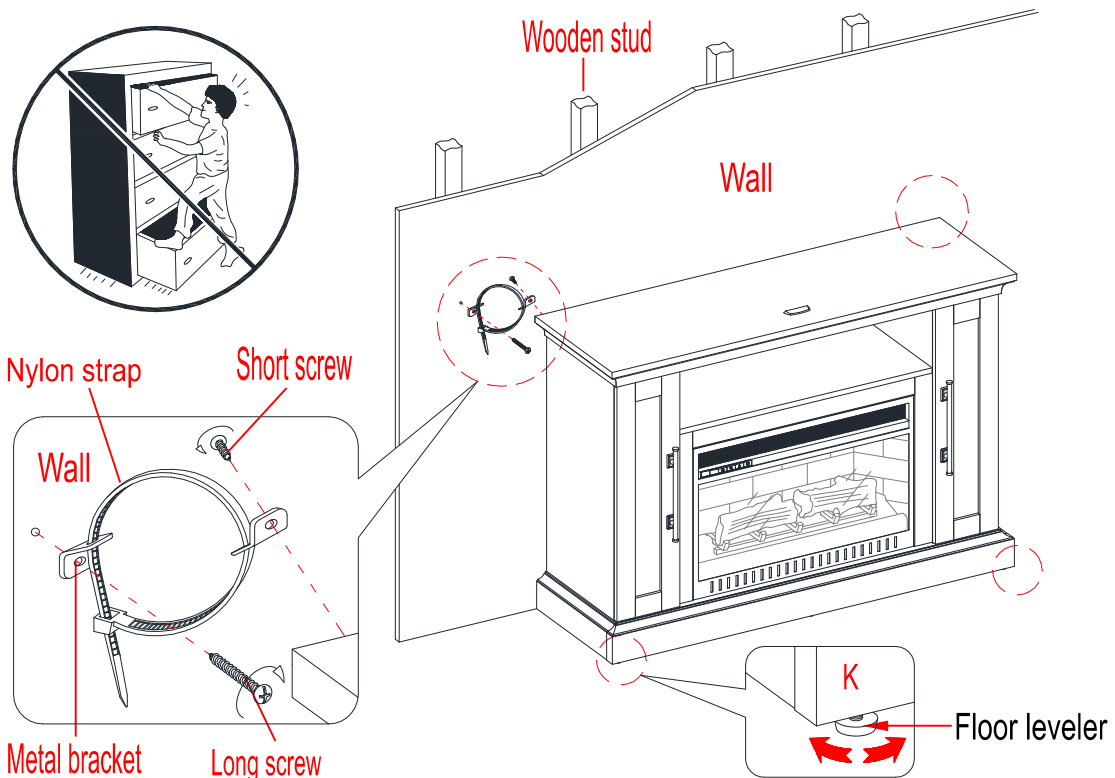
## Assembly Instructions



**NOTE:** To prevent your TV from tipping, you must install the acrylic TV stopper if you place a flat panel television on the top panel. Otherwise, skip to step 37.

36. Remove the paper backing from the Acrylic Stopper (14), then properly align the acrylic stopper into the cut-out on the acrylic stopper template on the Top Panel (A). Press down on the acrylic stopper to help adhesion.
37. At the back of the Top Panel (A), carefully grip the head of plastic tack with pliers and, with a gentle twisting motion, pull the tack loose out to remove the acrylic stopper template.

## Assembly Instructions



**Tools required (not provided):** Phillips screwdriver, stud finder, tape measure, pencil, power drill and 1/8" drill bit.

38. Ask for assistance to position the assemble fireplace at the desired location against a wall. If necessary, adjust the pre-attached Floor Levelers at the bottom of the Base Front Molding (K) to correct the tilting and level the doors.
39. Now, follow the instructions printed on the plastic bag containing the Tipping Restraint Hardware to attach the tip-over restraints to the unit and the wall.
 

**NOTE:** The tipping restraint hardware included is for wooden stud wall construction. It must be attached to a wall stud. Depending upon your wall construction, different anchor hardware maybe required. Please contact your local hardware store for assistance. Young children can be seriously injured by tipping furniture. You must install the tipping restraint hardware with the unit to prevent the unit from tipping, causing any accidents or damage. The tipping restraints are intended only as a deterrent, they are not a substitute for proper adult supervision. The tipping restraints are not earthquake restraints. If you wish to add the extra security of earthquake restraints, they must be purchased and installed separately.
40. Connect the fireplace to the power transformer. Follow the operating manual for the electric fireplace insert to control your fireplace.

|                  |   |
|------------------|---|
| <b>⚠ WARNING</b> |   |
|                  | <p><b>Serious or fatal crushing injuries can occur from furniture tip-over. To help prevent tip-over:</b></p> <ul style="list-style-type: none"> <li>• Install tip-over restraint provided.</li> <li>• Place heaviest items in the lowest drawers.</li> <li>• Do not set TV's or other heavy objects on top of this product, unless the product is specifically designed to accommodate them.</li> <li>• Never allow children to climb or hang on drawers, doors, or shelves.</li> <li>• Never open more than one drawer at a time.</li> </ul> <p><b>Use of tip-over restraints may only reduce, but not eliminate, the risk of tip-over.</b></p> |

## Care and Maintenance

- Use a soft, clean cloth that will not scratch the surface when dusting.
- Use of furniture polishes is not necessary. Should you choose to use polishes, test first in an inconspicuous area.
- Using solvents of any kind on your furniture may damage the finish.
- Never use water to clean your furniture as it may cause damage to the finish.
- Always use coasters under beverage glasses and flowerpots.
- Liquid spills should be removed immediately. Using a soft, clean cloth, blot the spill gently. Avoid rubbing.
- Always use protective pads under hot dishes and plates. Heat can cause chemical changes that may create spotting within the furniture finish.
- Stains or marks from crayons or ink markers will be difficult to remove.
- In the event that your furniture is stained or otherwise damaged during use, we recommend that you call a professional to repair your furniture.
- Check bolts/screws periodically and tighten them if necessary.

## WARNING

Please use your furniture correctly and safely. Improper use can cause safety hazards, or damage to your furniture or household items. Carefully read the following safety information.

This unit is not intended for use with CRT TVs. The top surface maximum weight capacity is 135 lbs. (61.2 kg) and maximum load 60 in. (152.4 cm) diagonal flat-panel TV. The shelf maximum recommended weight allowance is 50 lbs. (22.7 kg). Use with heavier televisions may result in instability causing tip over resulting in death or serious injury.

Death or serious injury may occur when children climb on audio and/or video equipment furniture. A remote control or toys placed on the furnishing may encourage a child to climb on the furnishing and as a result may tip over onto the child.

**NEVER** allow children to climb or play with the TV or furnishing supporting the TV.

**NEVER** place toys, food, remote, etc. on top of the TV or TV furnishing.

**ALWAYS** use either the safety hardware as instructed or other wall anchoring device.

Relocating audio and/or video equipment to furniture not specifically designed to support audio and/or video equipment may result in death or serious injury due to furniture collapse or over turning onto a child.

**NEVER** place a TV on furniture that is not intended to support a TV.

**NEVER** exceed the maximum size and weight of the TV shown in the instructions.

Be sure to refer to the TV warning label as shown in the instructions.

Overloading drawers and shelves may result in furniture that can break or sag, or tip-over which may result in injury.

**NEVER** exceed the weight limits shown in the instructions.

Place the heavier items on lower shelves as far back from the front as possible.

Load the bottom surfaces first to avoid top-heavy furniture.

Moving furniture that is not designed to be moved or equipped with casters may result in injury or damage to furnishings or personal property.

**ALWAYS** unload shelves and drawers, starting with the top surfaces, before moving.

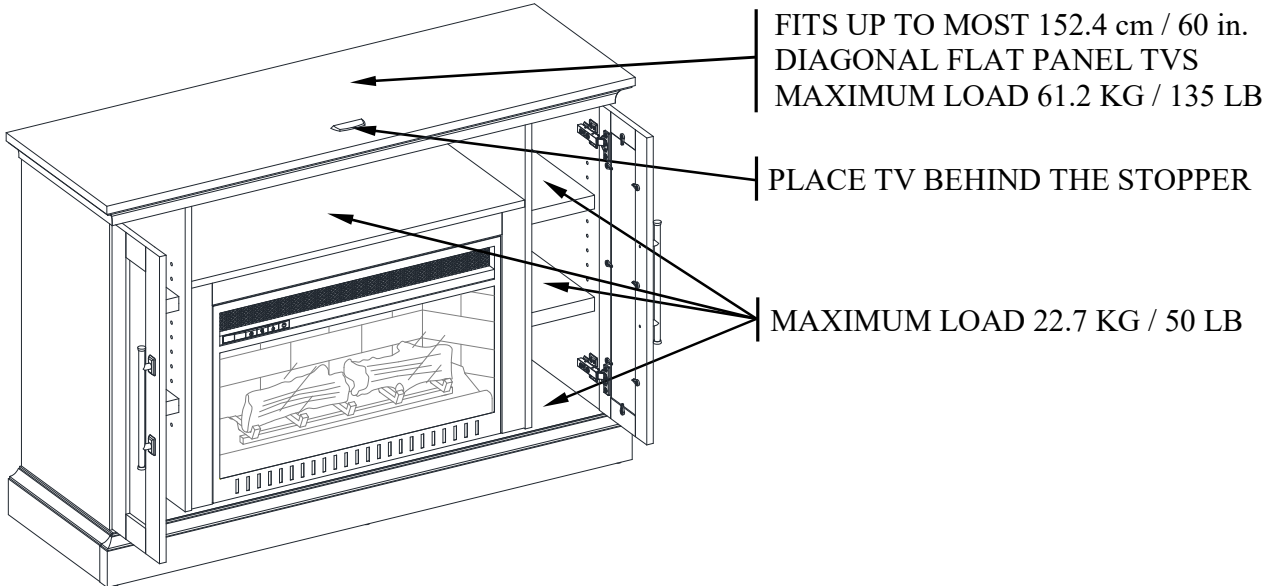
**NEVER** push or pull furniture on carpet. Have a friend help lift properly to move and/or reposition it.

The stand is not meant as a seat and no one should be sitting or standing on the stand.

Clean the metal trim using a soft cloth, slightly dampened with citrus oil-based product and buff with a clean soft cloth. **DO NOT** use brass polish or household cleaners as these products will damage the metal trim. Citrus oil-based products can be obtained at supermarkets or hardware stores.

## MAXIMUM RECOMMENDED WEIGHT LOADS

MANUFACTURER: Whalen Furniture Manufacturing  
CATALOG: Millstead 48in Fireplace Console  
MODEL #: WSF48MS26GAO / WSF48MS26WW  
MADE IN VIETNAM



**WARNING** THIS UNIT IS NOT INTENDED FOR USE WITH CRT TVS. USE ONLY WITH FLAT PANEL TVS AND AUDIO/VIDEO EQUIPMENT MEETING RECOMMENDED SIZE AND WEIGHT LIMITS. NEVER USE WITH LARGER/HEAVIER THAN RECOMMENDED FLAT PANEL TVS OR EQUIPMENT. TO AVOID INSTABILITY, PLACE FLAT PANEL TV IN THE CENTER OF THE UNIT; THE BASE OF THE TELEVISION MUST BE ABLE TO REST ON THE SUPPORTING SURFACE OF THE UNIT WITHOUT OVER-HANGING THE EDGES. IMPROPERLY POSITIONED FLAT PANEL TVS, OR FLAT PANEL TVS INCLUDING OTHER EQUIPMENT THAT EXCEED RECOMMENDED SIZE AND WEIGHT LIMITS COULD FALL OFF OR BREAK THE UNIT, CAUSING POSSIBLE SERIOUS INJURY. FOR USE WITH TELEVISIONS WEIGHING 135 LBS (61.2 KG) OR LESS. USE WITH HEAVIER TELEVISIONS MAY RESULT IN INSTABILITY CAUSING TIP OVER RESULTING IN DEATH OR SERIOUS INJURY

## QUALITY GUARANTEE

We are confident that you will be delighted with your Whalen Furniture purchase.

Should this product be defective in workmanship or materials or fail under normal use, we will repair or replace it for up to one (1) year from date of purchase. Every Whalen Furniture product is designed to meet your highest expectations. We guarantee that you will immediately see the value of our fine furniture.

This warranty gives you specific legal rights and you may also have other rights which vary from state to state or province to province

Whalen Furniture Manufacturing,  
1578 Air Wing Road  
San Diego CA, 92154 USA  
Customer Service: 1-866-942-5362  
8:30 a.m. - 4:30 p.m., PST, Monday to Friday  
[www.whalenfurniture.com](http://www.whalenfurniture.com)