



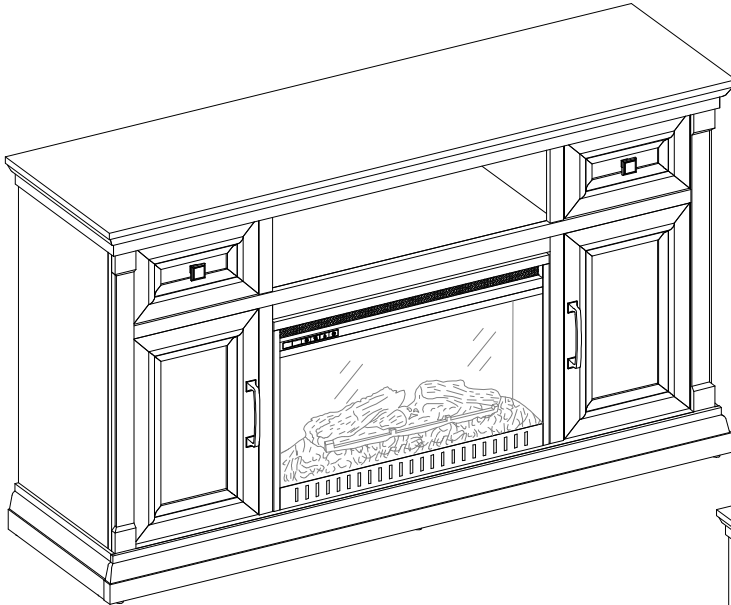
WHALEN®

LOT NUMBER: \_\_\_\_\_  
DATE PURCHASED: \_\_/\_\_/\_\_

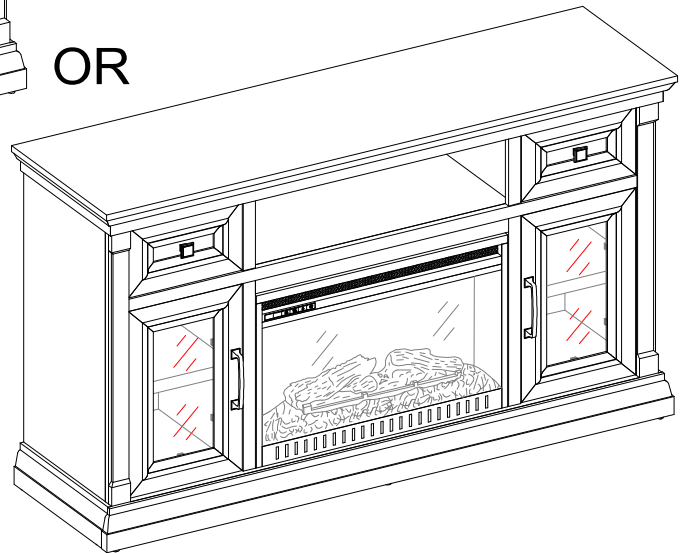
# Avendale 59" Fireplace Console

Model # WSF59AV26C-AC

# WSF59AV26C-WH



OR



## ADULT ASSEMBLY REQUIRED

If you have any questions regarding assembly or if parts are missing, DO NOT return this item to the store where it was purchased. Please call our toll-free customer service number and have your instructions and parts list ready to provide the model name, part name or factory number:

**1-866-942-5362**

Pacific Standard Time: 8:30 a.m. - 4:30 p.m., Monday - Friday

Or visit our website [www.whalenfurniture.com](http://www.whalenfurniture.com)

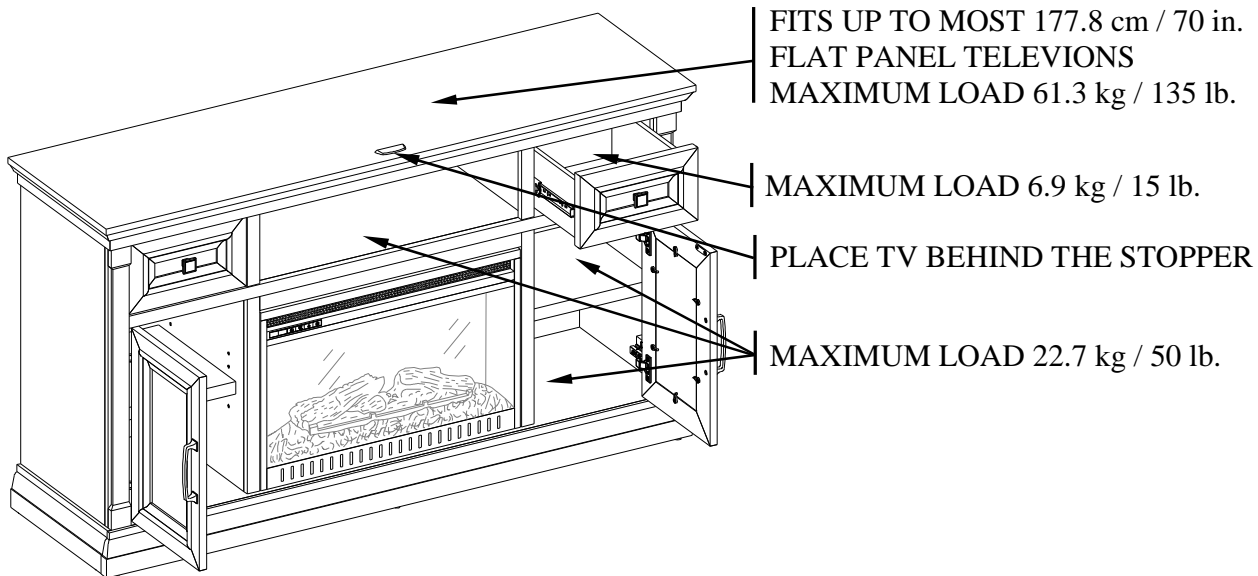
Or e-mail your request to: [parts@whalenfurniture.com](mailto:parts@whalenfurniture.com)

**THIS INSTRUCTION BOOKLET CONTAINS IMPORTANT SAFETY INFORMATION.  
PLEASE READ AND KEEP FOR FUTURE REFERENCE.**

Date 2017-06-13 Rev. 0001-A Factory: GALFUL

## MAXIMUM RECOMMENDED WEIGHT LOADS

MANUFACTURER: Whalen Furniture Manufacturing  
CATALOG: Avendale 59" Fireplace Console  
MODEL # WSF59AV26C-AC / WSF59AV26C-WH  
MADE IN CHINA



### **WARNING**

THIS UNIT IS NOT INTENDED FOR USE WITH CRT TVS. USE ONLY WITH FLAT PANEL TVS AND AUDIO/VIDEO EQUIPMENT MEETING RECOMMENDED SIZE AND WEIGHT LIMITS. NEVER USE WITH LARGER/HEAVIER THAN RECOMMENDED FLAT PANEL TVS OR EQUIPMENT. TO AVOID INSTABILITY, PLACE FLAT PANEL TV IN THE CENTER OF THE UNIT; THE BASE OF THE TELEVISION MUST BE ABLE TO REST ON THE SUPPORTING SURFACE OF THE UNIT WITHOUT OVER-HANGING THE EDGES. IMPROPERLY POSITIONED FLAT PANEL TVS, OR FLAT PANEL TVS INCLUDING OTHER EQUIPMENT THAT EXCEED RECOMMENDED SIZE AND WEIGHT LIMITS COULD FALL OFF OR BREAK THE UNIT, CAUSING POSSIBLE SERIOUS INJURY.

### **SPECIAL NOTE**

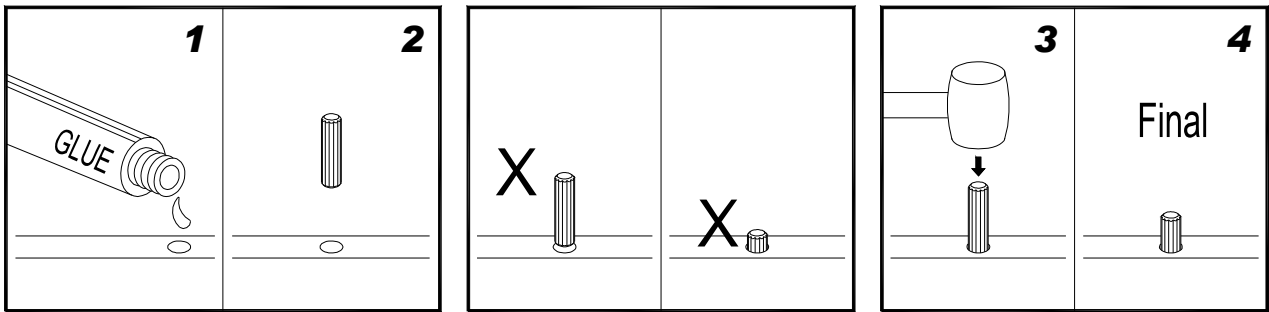
Please read the instruction sheets completely before assembly. Examine all packaging material before discarding carton. Remove any remaining staples from the carton before discarding. Remove all parts from carton and separate into groups as indicated on part list. Please ensure all parts are included prior to assembly. Use of power tools to complete assembly is not recommended.

## IMPORTANT

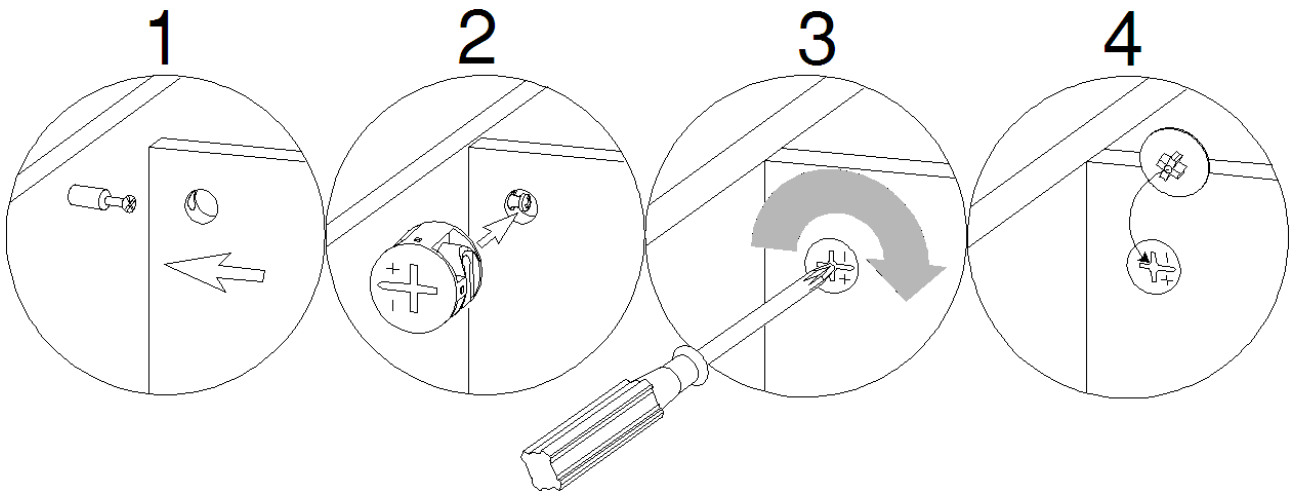
**Before you begin:** Open, identify and count all parts prior to assembly. Lay out parts on a flat and non-abrasive surface. You will need the parts identified on page 4 and 5 of this instruction manual.

**NOTE:** IT IS VERY IMPORTANT TO USE GLUE WITH THE DOWELS. EXCESS GLUE CAN BE WIPED OFF WITH A DAMP CLOTH.

Insert Dowel at least half way by tapping lightly with a rubber mallet (not included), IF NECESSARY.



## CAM LOCK SYSTEM OPERATION



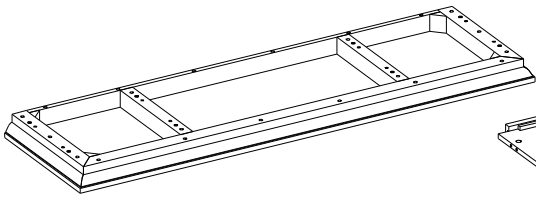
### HOW THE KNOCK DOWN (KD) ASSEMBLY SYSTEM WORKS

1. Screw the Cam Bolt into the pre-drilled small holes on the panel. Connect both panels together; making sure the Cam Bolt goes into the pre-drilled hole at the end of the panel with the Cam Lock.
2. Insert the Cam Lock into the pre-drilled large hole in the panel. Make sure the arrow on the Cam Lock is pointed towards the Cam Bolt.
3. Once the Cam Bolt is connected inside the Cam Lock, take a Phillips screwdriver (not included) and tighten the Cam Lock clockwise.
4. Plug the Cam Lock Cover into the cross slot of the Cam Locks to conceal the cam.

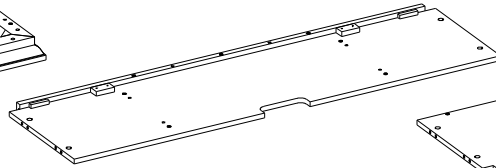
**You are now ready to assemble the KD unit.**

## Parts and Hardware List

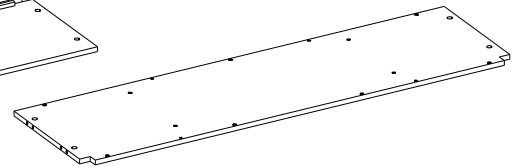
Please read completely through the instructions and verify that all listed parts and hardware are present before beginning assembly.



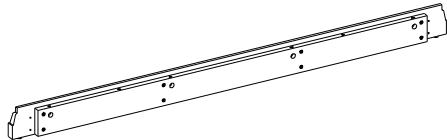
A- Top Panel (Qty. 1)



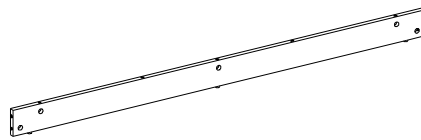
B- Fixed Shelf (Qty. 1)



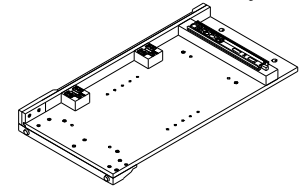
C- Bottom Panel (Qty. 1)



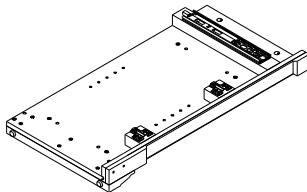
D- Bottom Front Skirting (Qty. 1)



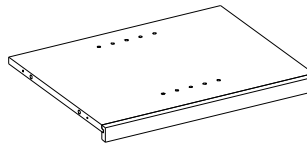
E- Bottom Back Stretcher (Qty. 1)



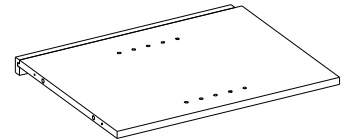
F- Left Side Panel (Qty. 1)



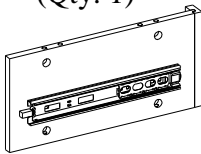
G- Right Side Panel  
(Qty. 1)



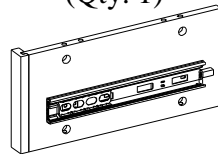
H- Left Lower Partition Panel  
(Qty. 1)



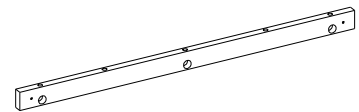
I- Right Lower Partition Panel  
(Qty. 1)



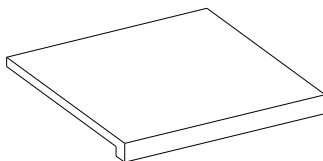
J- Left Upper Partition Panel  
(Qty. 1)



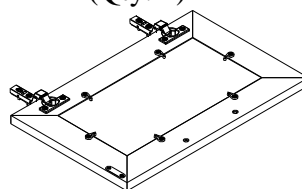
K- Right Upper Partition Panel  
(Qty. 1)



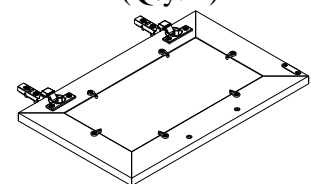
L- Middle Crossbar  
(Qty. 1)



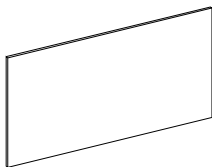
M- Adjustable Shelf (Qty. 2)



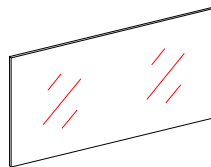
N- Left Door (Qty. 1)



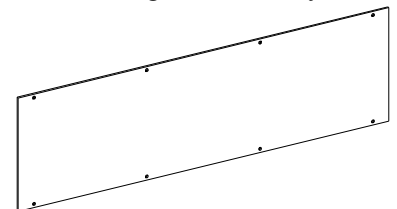
O- Right Door (Qty. 1)



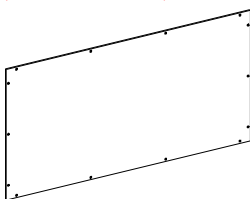
P- Wood Door Panel (Qty. 2)  
(Pre-attached)



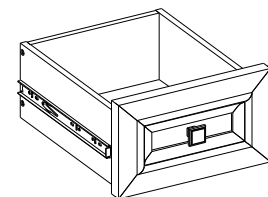
Q- Glass Door Panel (Qty. 2)



R- Middle Back Panel (Qty. 1)



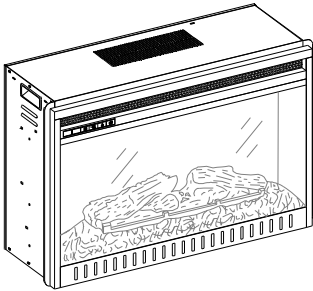
S- Side Back Panel (Qty. 2)



T- Drawer (Qty. 2)

## Parts and Hardware List

Please read completely through the instructions and verify that all listed parts and hardware are present before beginning assembly.



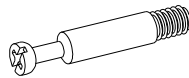
Fireplace Insert (Qty. 1)



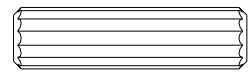
Remote Control with Battery (Qty. 1)



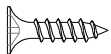
(1) Cam Lock  
(Qty. 36+1 extra)



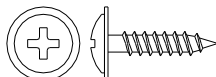
(2) Cam Bolt  
(Qty. 36+1 extra)



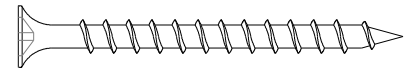
(3) M8 x 30 mm Wood Dowel  
(Qty. 36+1 extra)



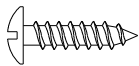
(4) M3.5 x 12 mm Screw  
(Qty. 12+1 extra)



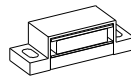
(5) M3.5 x 15 mm Washer Head Screw  
(Qty. 38+1 extra)



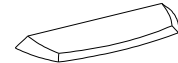
(6) M4 x 50 mm Screw  
(Qty. 4+1 extra)



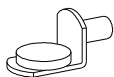
(7) M3.5 x 15 mm Pan Head Screw  
(Qty. 4+1 extra)



(8) Magnetic Catch  
(Qty. 2)



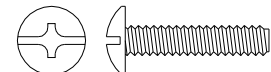
(9) Acrylic Stopper  
(Qty. 1)



(10) Shelf Support (Qty. 8+1 extra)



(11) Handle (Qty. 2)



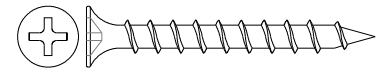
(12) Handle Bolt (Qty. 4)



(13) L-shaped Metal Brace  
(Qty. 2)



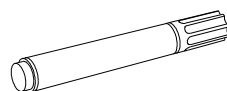
(14) Straight Metal Bracket  
(Qty. 2)



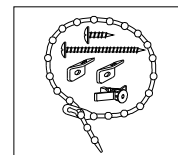
(15) M4 x 38 mm Screw  
(Qty. 4+1 extra)



Glue (Qty. 1)



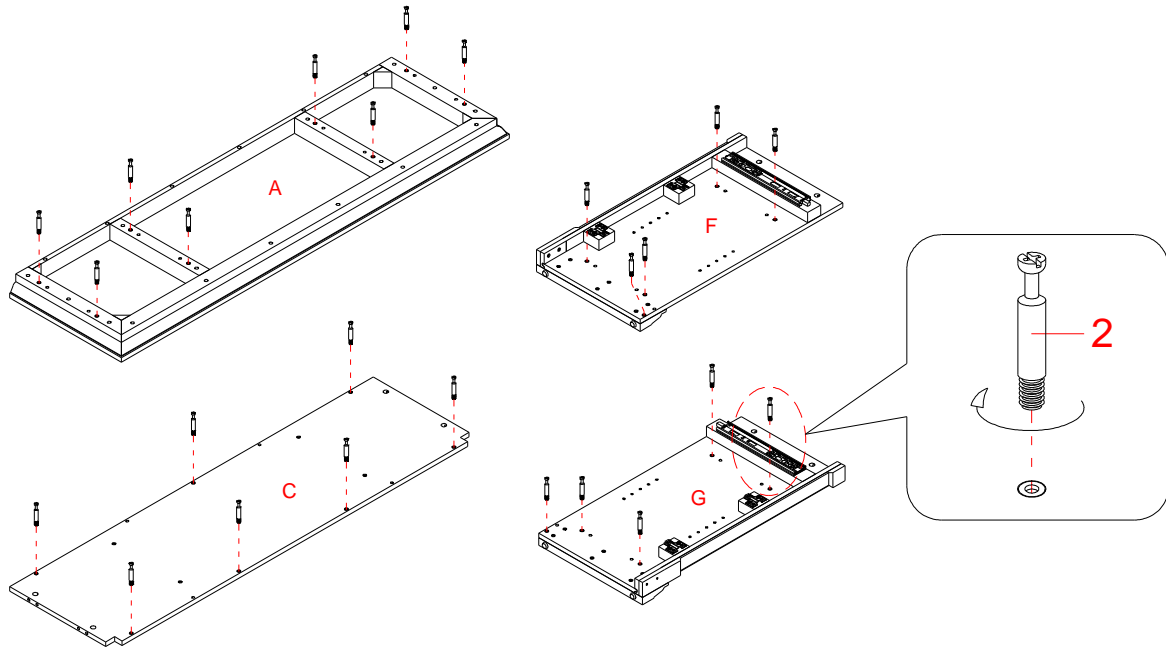
Touch-up Pen (Qty. 1)



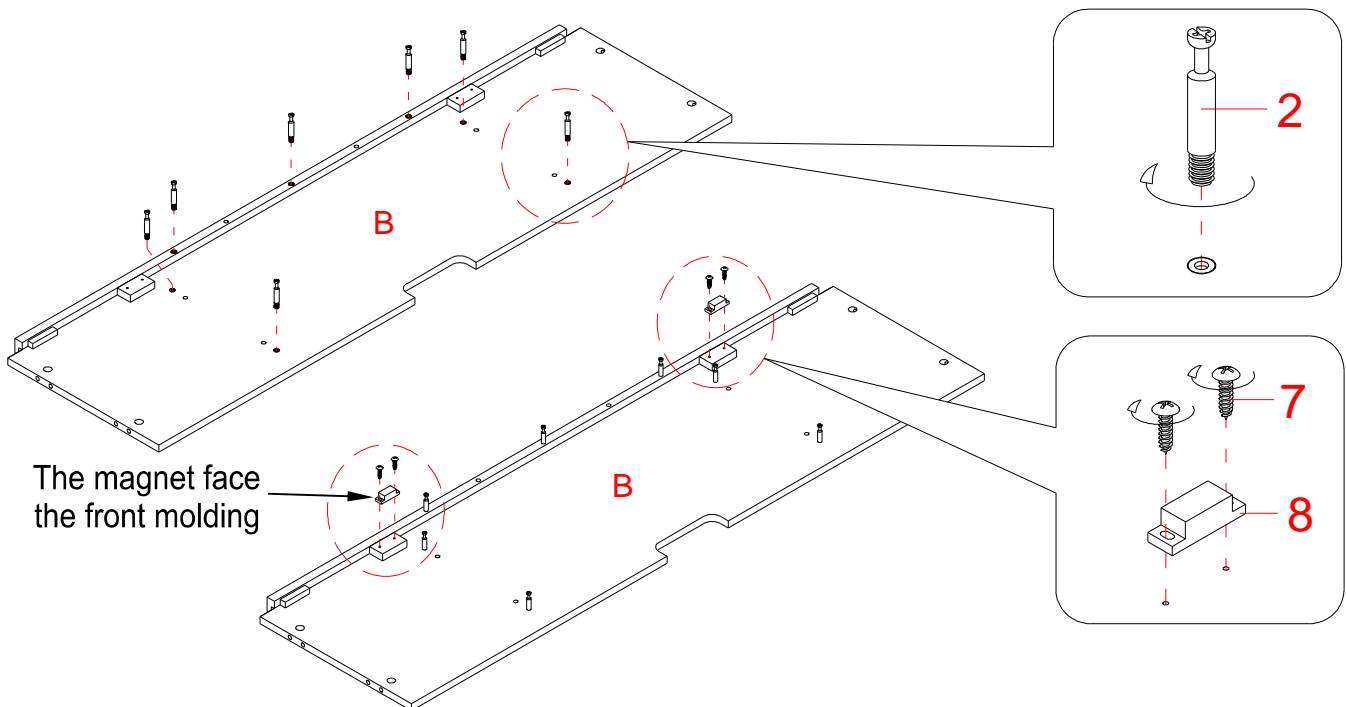
Tipping Restraint Hardware Kit (Qty. 2)  
(Included in plastic bag)

Tools required: Phillips screwdriver and rubber mallet (not provided).

## Assembly Instructions

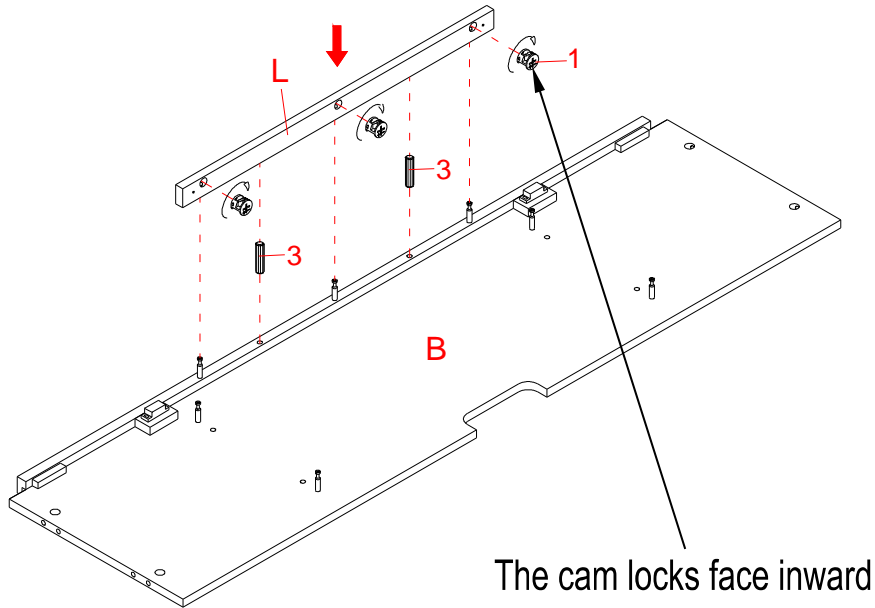


1. Unpack the unit and confirm that you have all the hardware and required parts. Assemble the unit on a carpeted floor or the empty carton to avoid any scratch.
2. Securely screw the Cam Bolts (2) into the designated small holes on the Top Panel (A), the Bottom Panel (C) and the Side Panels (F and G) using a Phillips screwdriver.



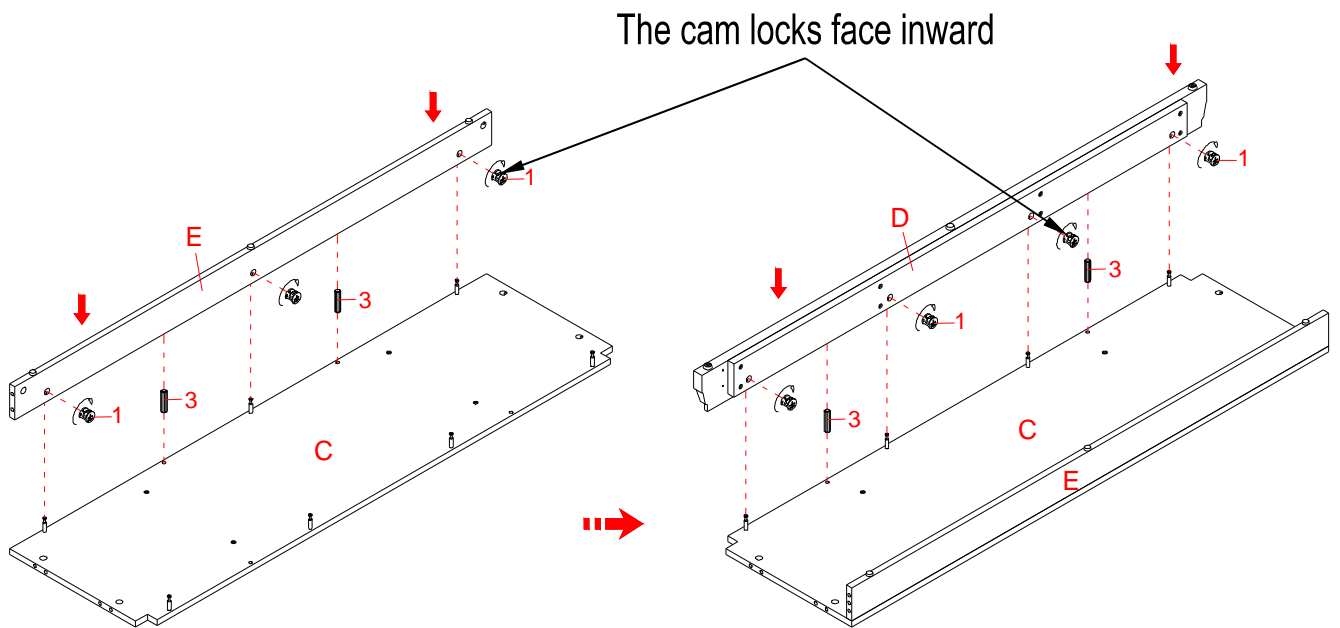
3. Securely screw the Cam Bolts (2) into the designated small holes on the Fixed Shelf (B).
4. Align the two Magnetic Catches (8) on the pilot holes on the Fixed Shelf (B) with the magnetic plates facing the front molding, then use two 15 mm Pan Head Screws (7) to attach each catch to the fixed shelf.

## Assembly Instructions



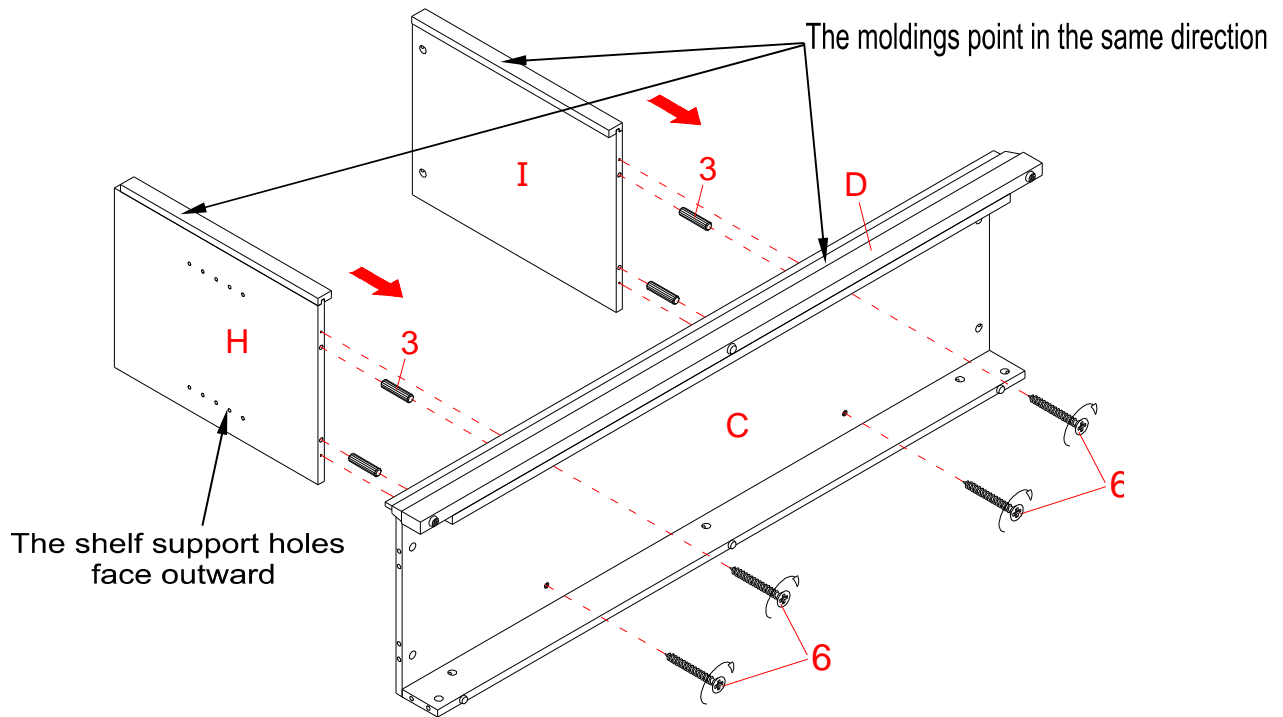
5. Insert two 30 mm Wood Dowels (3) into the inner holes of the Middle Crossbar (L) and attach it to the Fixed Shelf (B) by engaging three Cam Locks (1) (Refer to page 3 on Cam Lock system operation supplement).

**NOTE:** Make sure that you use a small amount of glue with both ends of all dowels.



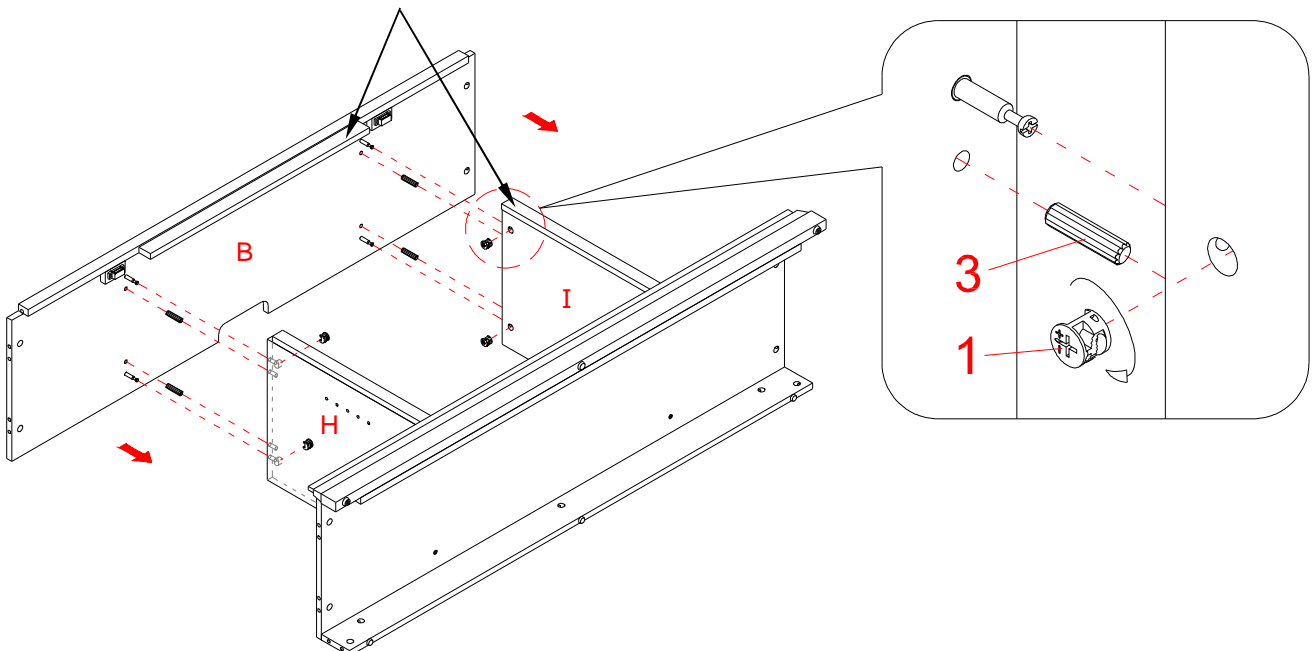
6. Attach the Bottom Back Stretcher (E) to the Bottom Panel (C) with two 30 mm Wood Dowels (3) and three Cam Locks (1).
7. Fasten the Bottom Front Skirting (D) to the Bottom Panel (C) with two 30 mm Wood Dowels (3) and four Cam Locks (1).

## Assembly Instructions



8. Attach the Lower Partition Panels (H and I) to the Bottom Panel (C) with four 30 mm Wood Dowels (3) and four 50 mm Screws (6) as shown.

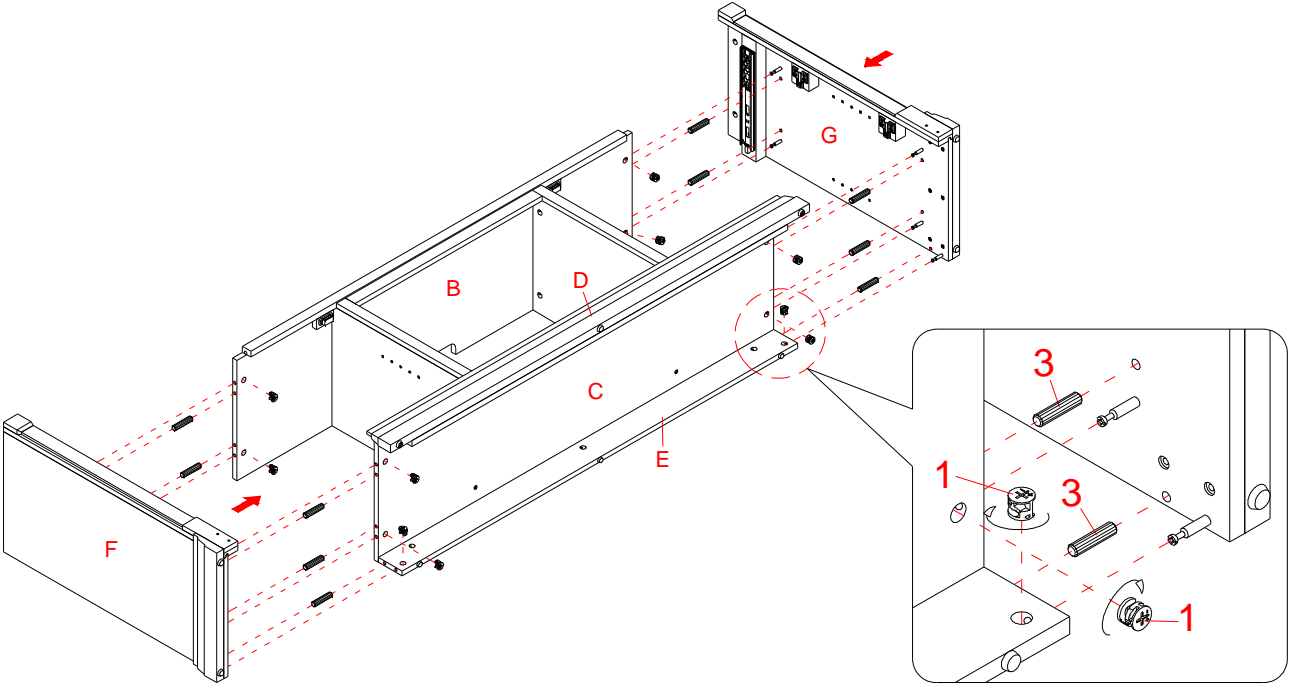
The moldings line up with each other



9. Align and attach the Fixed Shelf (B) to the Lower Partition Panels (H and I) with four 30 mm Wood Dowels (3) and four Cam Locks (1).

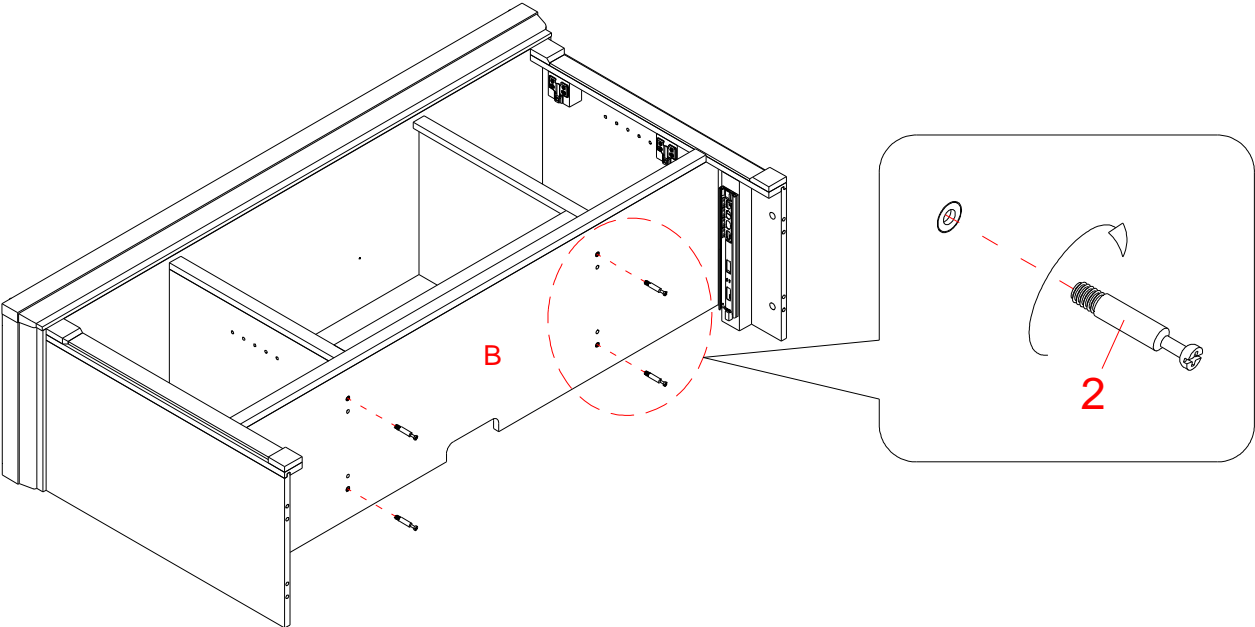


# Assembly Instructions



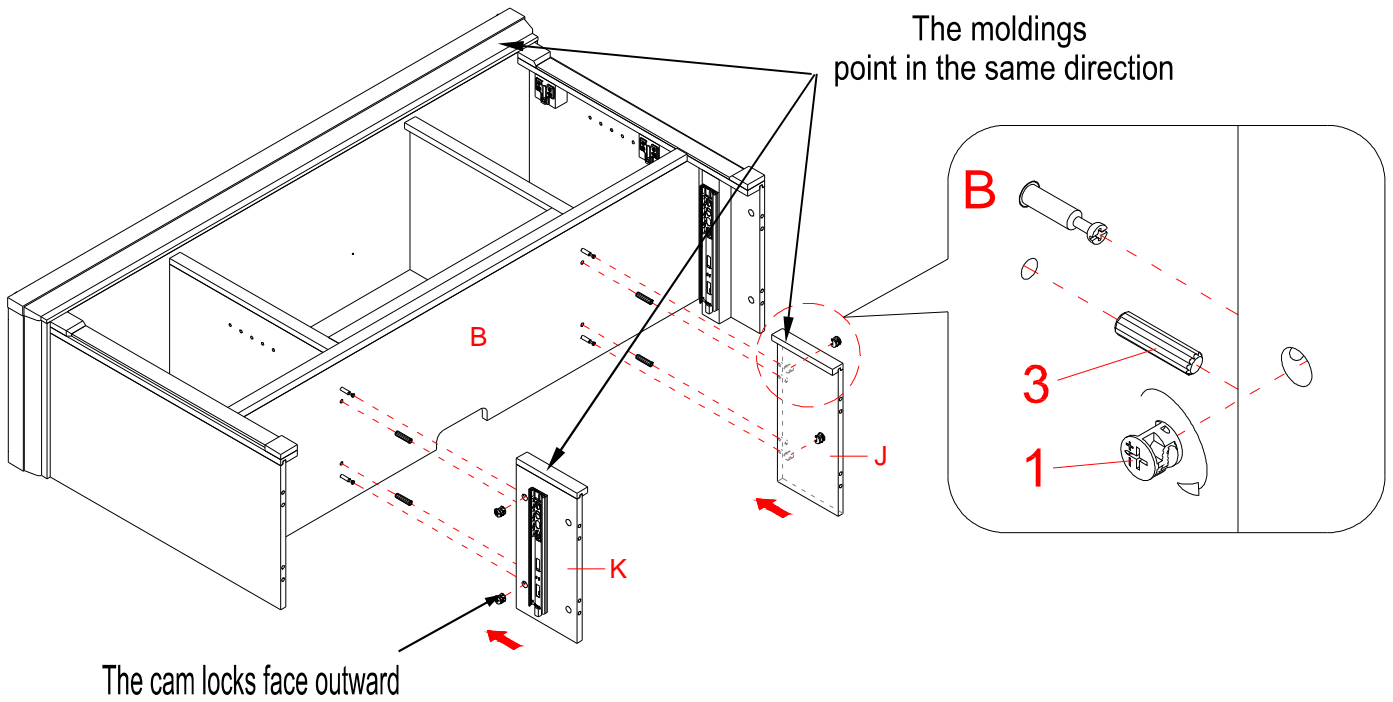
10. Attach the Left Side Panel (F) to the previous assembly with five 30 mm Wood Dowels (3) and five Cam Locks (1).

11. Repeat the same procedure to attach the Right Side Panel (G) at the opposite end.

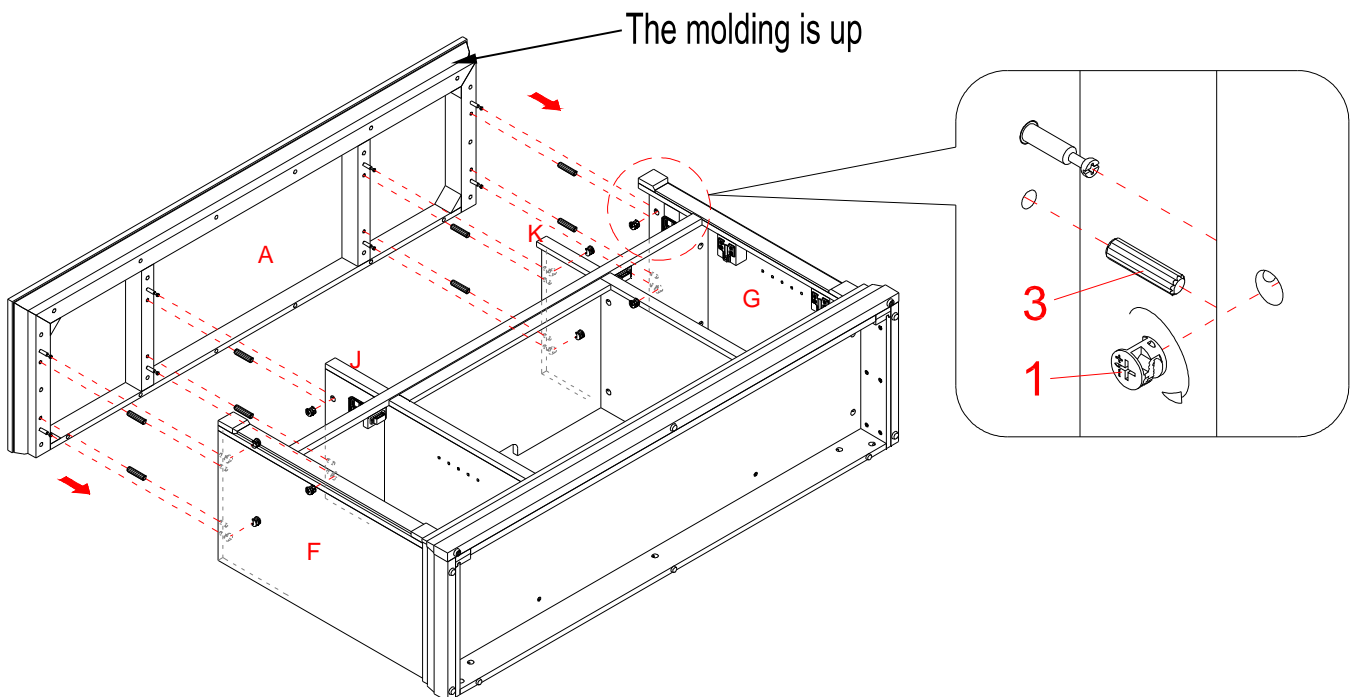


12. Securely screw four Cam Bolts (2) into the designated small holes on the Fixed Shelf (B).

## Assembly Instructions

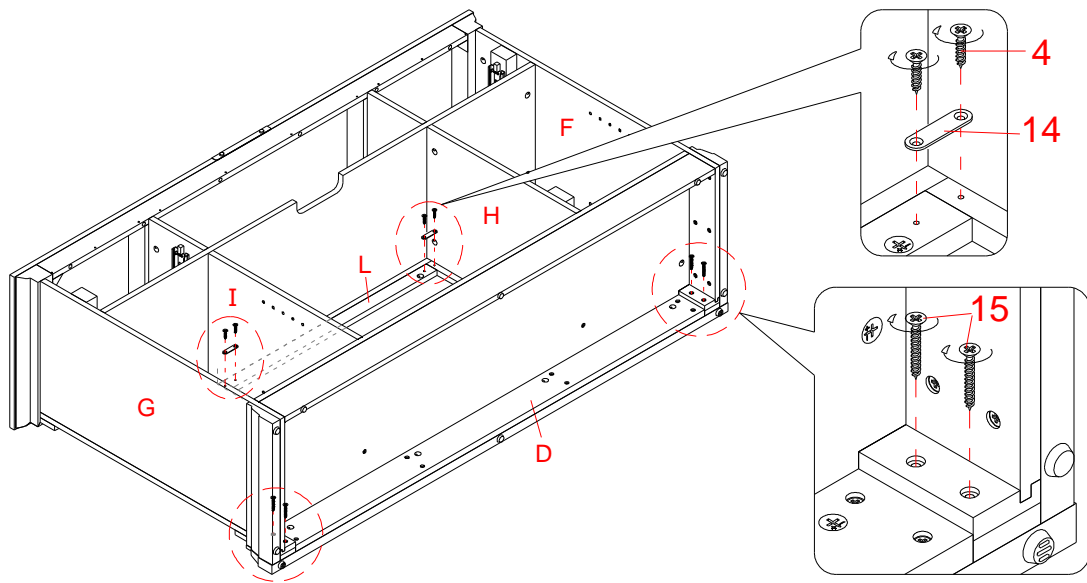


13. Fasten the Upper Partition Panels (J and K) to the Fixed Shelf (B) with four 30 mm Wood Dowels (3) and four Cam Locks (1).



14. Attach the Top Panel (A) to both Side Panels (F and G) and Upper Partition Panels (J and K) with eight Wood Dowels (3) and eight Cam Locks (1).

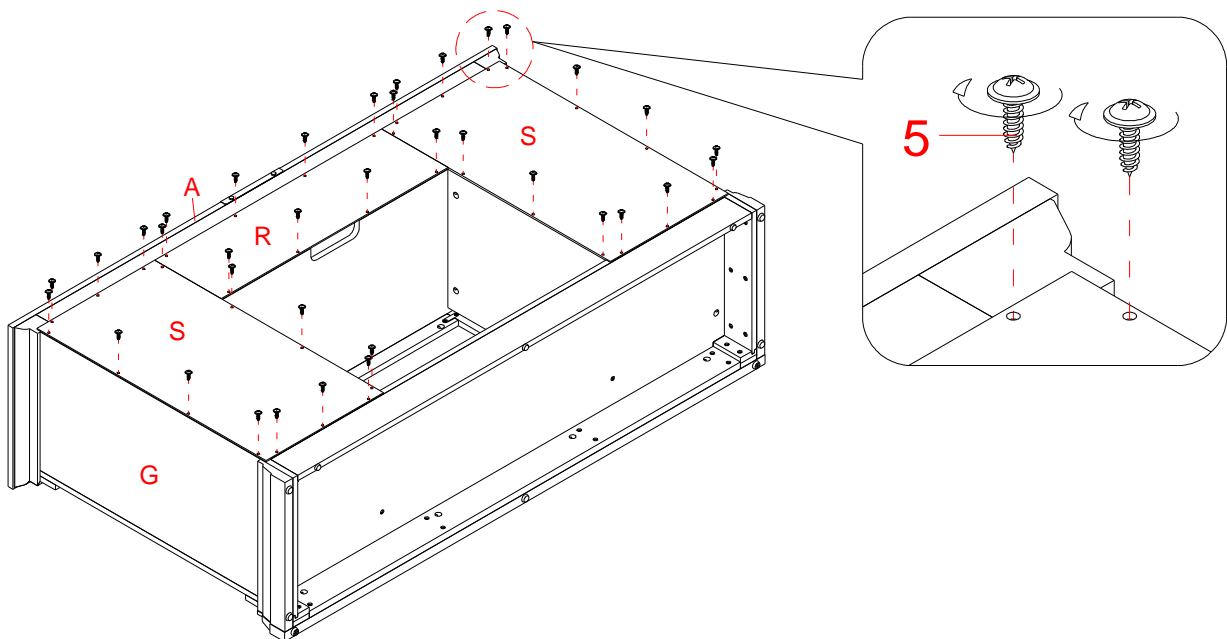
## Assembly Instructions



15. Flip the previous assembly around at its front edges.

16. With the pilot holes as a guide, fasten two Straight Metal Brackets (14) at the joints between the Middle Crossbar (L) and the Lower Partition Panels (H and I), using two 12 mm Screws (4) per bracket.

17. Fasten the Bottom Front Skirting (D) to the Side Panels (F and G) with four 38 mm Screws (15).

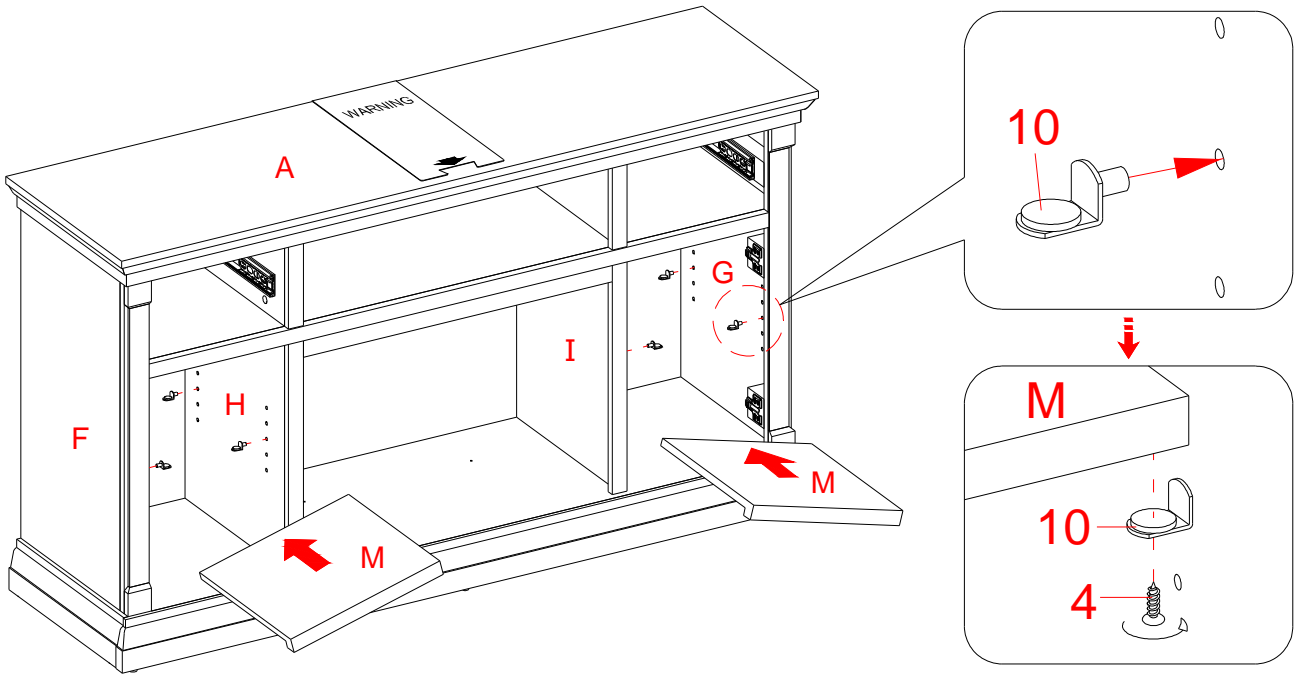


18. Now, go back and securely tighten all the Cam Locks and the Screws. Make sure that all the parts are tight and there are no gaps between the parts. This will help keep the unit square.

19. Pick up the Middle Back Panel (R) and align the pre-drilled holes against the upper long edge with the pilot holes on the back stretcher of the Top Panel (A). Attach the Back Panel (R) in place using the provided Washer Head Screws (5).

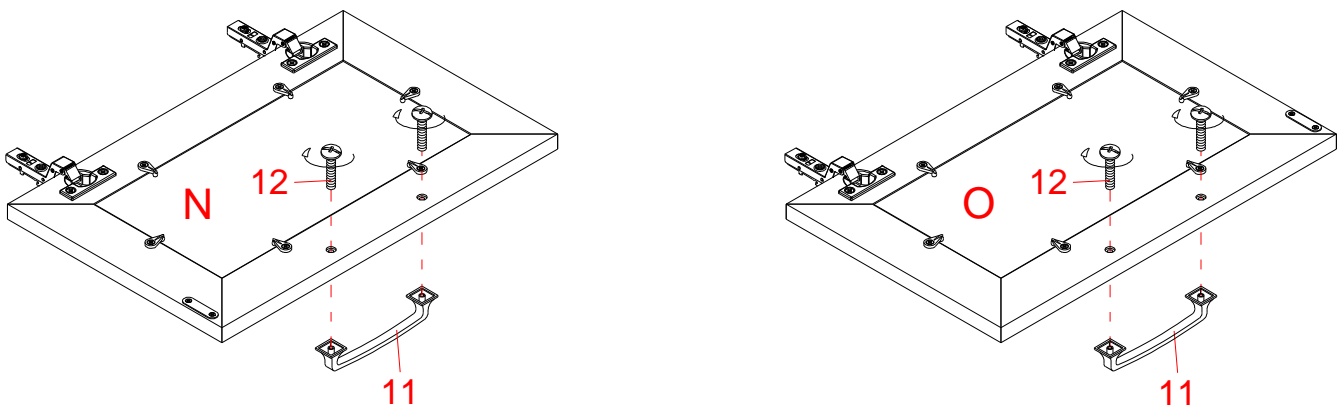
20. Attach two Side Back Panels (S) to the mantel frame with the provided Washer Head Screws (5).

## Assembly Instructions



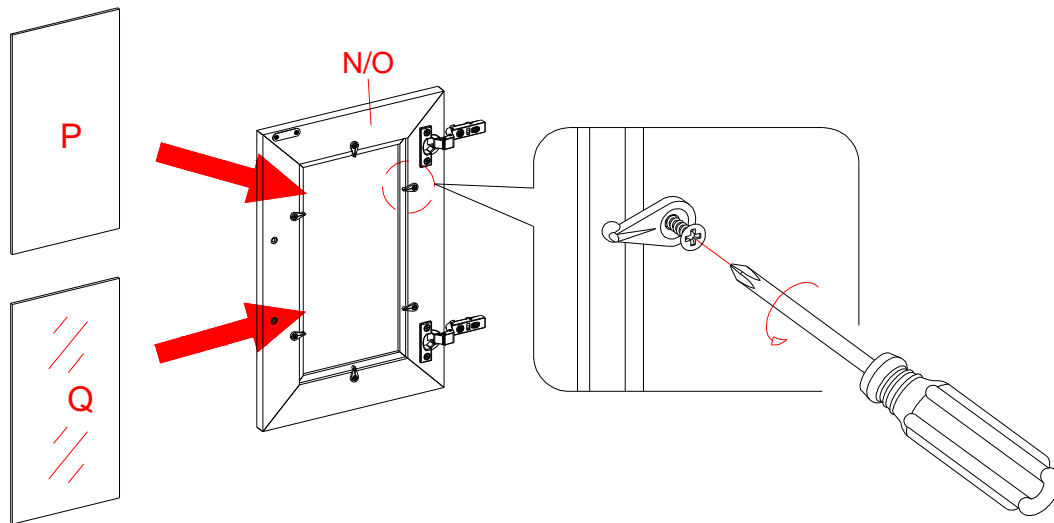
21. Stand the assembled unit upright.

22. Insert the Shelf Supports (10) into the desired holes in the sides of the side compartments. Make sure you place the four Shelf Supports in the same level so the shelf is not tilted. Tilt and rest the Adjustable Shelves (M) onto the Shelf Supports (10) and fasten them in place with the 12 mm Screws (4).

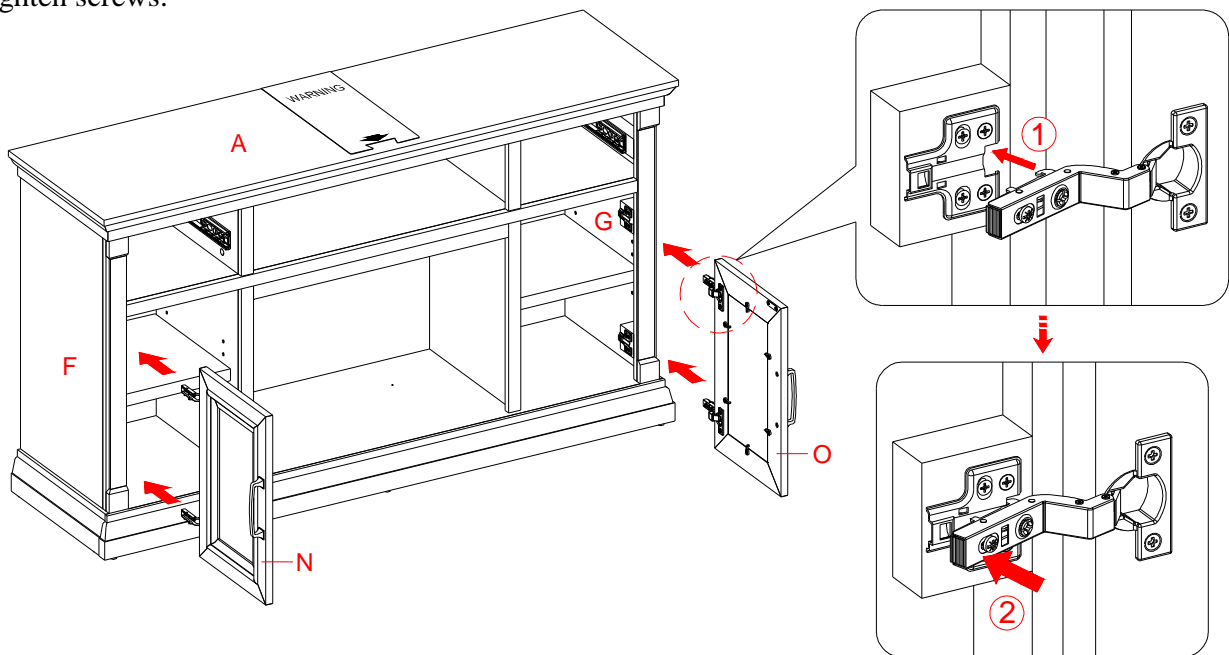


23. Attach one Handle (11) to the front side of each Door (N and O) with the provided Handle Bolts (12).

## Assembly Instructions

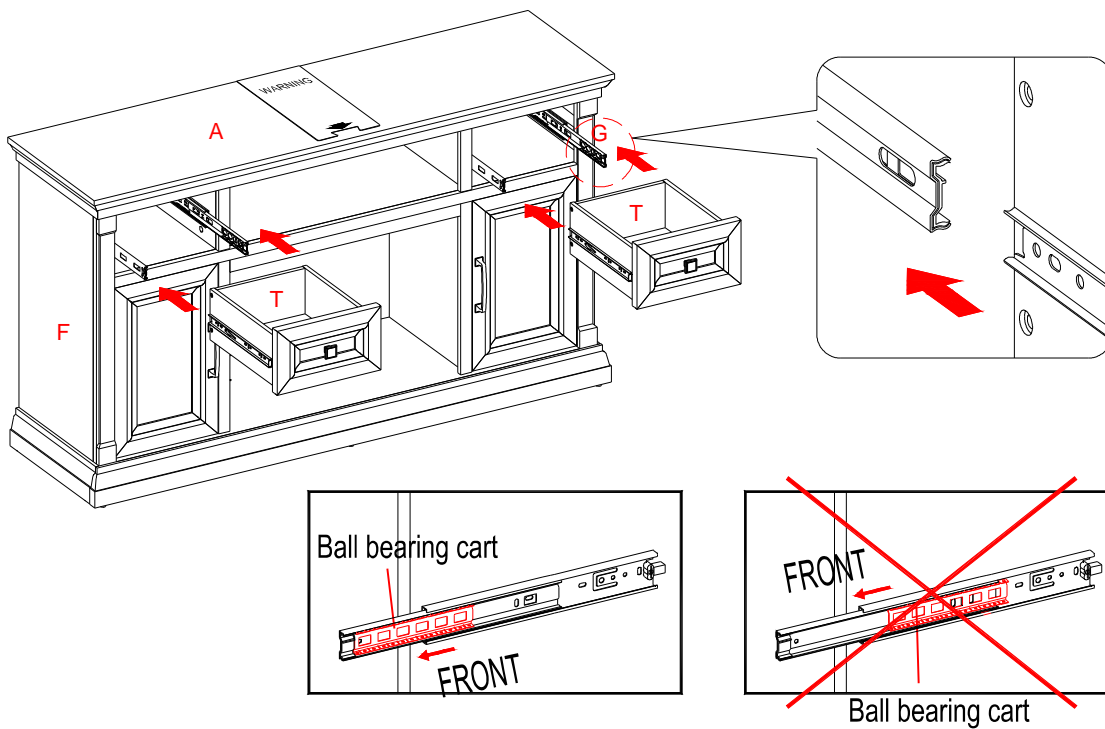


24. The doors of this unit are shipped with the wood insert panel. You can keep the doors as they are, or interchange the insert panel with the glass panel (Q), depending on the desired configuration.
25. To change door panels, loosen the screws on the inside of the door and rotate the clips to remove the panel. Replace with the desired panel, then rotate clips to secure the panel within the door frame and tighten screws.



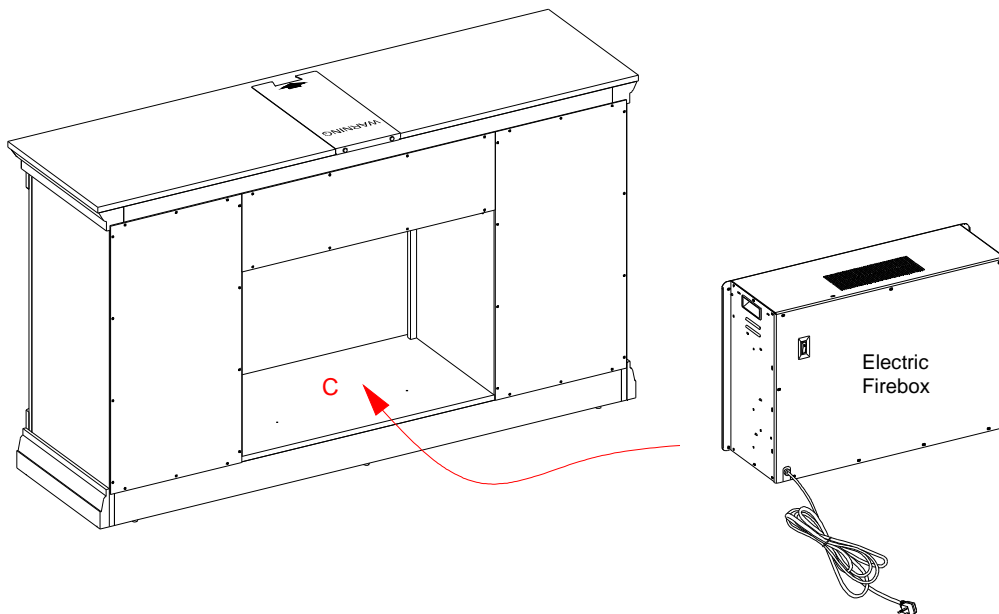
26. Pick up the Right Door (O) and attach it to the Right Side Panel (G) by engaging both door hinges together. Please follow the steps below to combine the door hinges together.
  - a. Extend both hinges of the Right Door (O) to open position and align the back hooks with the end slot of Hinge Bases pre-attached on the Right Side Panel (G).
  - b. Once the back hooks are inserted into place, press the end of hinge to snap the front tabs into the middle slots of the Hinge Bases as shown.
27. Repeat the same procedure to install the Left Door (N) to the Left Side Panel (F).
28. Open and close the doors to make sure they are aligned and shut correctly. If necessary, adjust the screws for a good fit (see the door hinge stickers on the door).

## Assembly Instructions



29. To insert the Drawers (T) into the frame, extend the ball bearing slide tracks on the Side Panels (F and G) and the Upper Partition Panels (J and K) all the way forward (including ball bearing cart). Align the slide runners on the Drawers (T) with the slide tracks, and then push the drawer carefully inside until it stops.

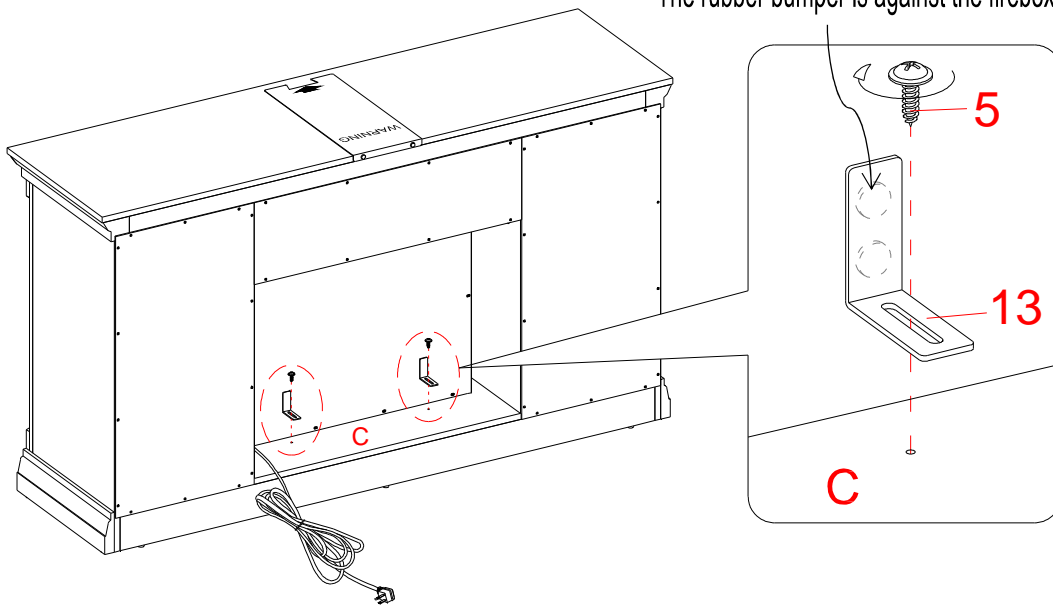
**NOTE:** If a drawer does not go in smoothly, please take it out and repeat the step. If you need to remove the drawer, please pull the drawer all the way out, then simultaneously push the plastic release lever of the ball bearing slides up on one side and down on the other side, and then pull it completely out.



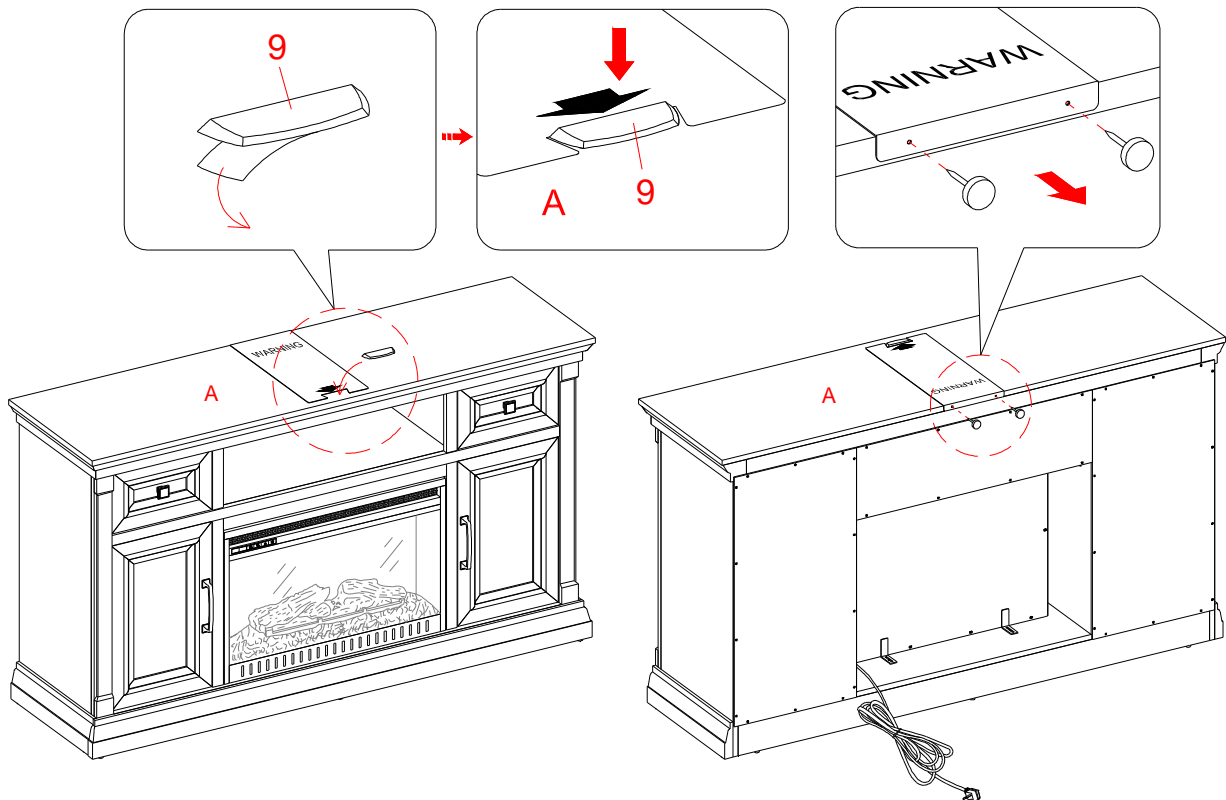
30. Lift the fireplace insert carefully into the back of the assembled mantel and center it in the opening. **DO NOT** drag the insert across the Bottom Panel (C) as it may scratch the unit.

## Assembly Instructions

The rubber bumper is against the firebox



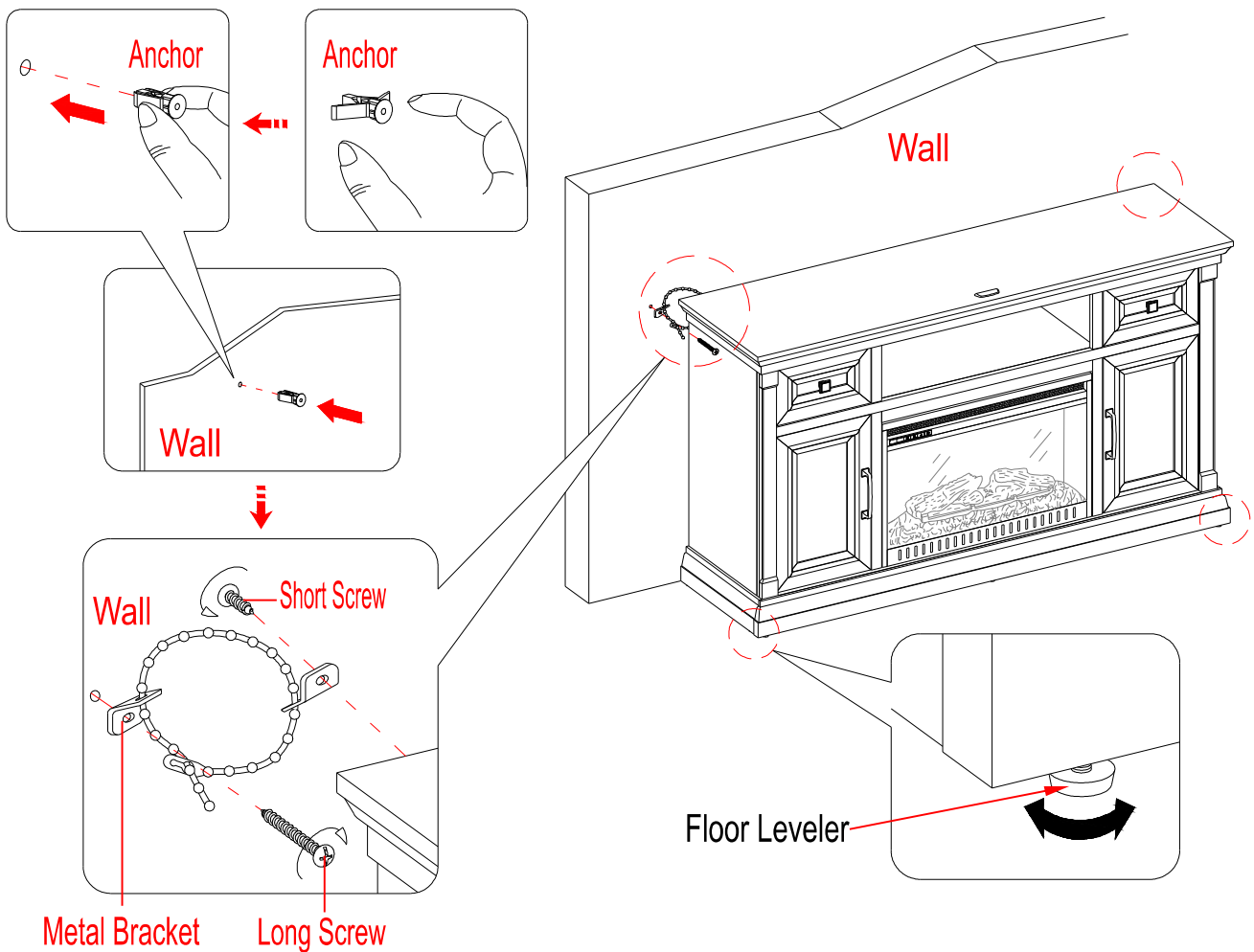
31. Using the pilot holes as a guide, align and attach two L-shaped Metal Braces (13) to the Bottom Panel (C) by screwing one Washer Head Screw (5) in each.



**NOTE:** You must install the Acrylic TV Stopper to prevent the TV from tipping when placing your flat panel television directly on the console.

32. Remove the paper backing from the acrylic stopper (9), then properly align the acrylic stopper into the cut-out on the acrylic stopper template on the Top Panel (A). Press down on the acrylic stopper to help adhesion.
33. At the back of Top Panel (A), carefully unscrew two thumb tacks to remove the acrylic stopper template.

## Assembly Instructions



Tools required: Phillips screwdriver, Power Drill, 3/8" Drill Bit and Rubber Mallet.

34. Ask for assistance to position the assembled fireplace at the desired location against a wall. If necessary, adjust the installed floor levelers at the front bottom corners to level the unit. Now, follow the instructions printed on the plastic bag containing the Tipping Restraint Hardware to attach the tip-over restraints to the unit and the wall.

**NOTE:** Young children can be seriously injured by tipping furniture. You must install the Tipping Restraint Hardware with the unit to prevent the unit from tipping, causing any accidents or damage. The tipping restraint is intended only as a deterrent, they are not a substitute for proper adult supervision. The tipping restraint is not an earthquake restraint. If you wish to add the extra security of earthquake restraints, they must be purchased and installed separately.

35. Connect the fireplace to the power transformer. Follow the operating manual for the electric fireplace insert to control your fireplace.



## Care and Maintenance

- Use a soft, clean cloth that will not scratch the surface when dusting.
- Use of furniture polishes is not necessary. Should you choose to use polishes, test first in an inconspicuous area.
- Using solvents of any kind on your furniture may damage the finish.
- Never use water to clean your furniture as it may cause damage to the finish.
- Always use coasters under beverage glasses and flowerpots.
- Liquid spills should be removed immediately. Using a soft clean cloth, blot the spill gently. Avoid rubbing.
- Always use protective pads under hot dishes and plates. Heat can cause chemical changes that may create spotting within the furniture finish.
- In the event that your furniture is stained or otherwise damaged during use, we recommend that you call a professional to repair your furniture.
- Check bolts/screws periodically and tighten them if necessary.

## Further Advice about Wood Furniture Care

It is best to keep your furniture in a climate-controlled environment. Extreme temperature and humidity changes can cause fading, warping, shrinking and splitting of wood. It is advised to keep furniture away from direct sunlight as sun may damage the finish.

Proper care and cleaning at home will extend the life of your purchase. Following these important and helpful tips will enhance your furniture as it ages.

## Cleaning Trim for Fireplace

Clean the metal trim using a soft cloth, slightly dampened with citrus oil based product and buff with a clean soft cloth. DO NOT use brass polish or household cleaners as these products will damage the metal trim. Citrus oil based products can be obtained at supermarkets or hardware stores.

**A touch-up pen has been provided to minimize the small nicks or scratches that may occur during assembly or shipping.**

We hope you enjoy your purchase for many years.  
Thank you for your purchase!

## QUALITY GUARANTEE

We are confident that you will be delighted with your Whalen Furniture purchase.

Should this product be defective in workmanship or materials or fail under normal use, we will repair or replace it for up to one (1) year from date of purchase. Every Whalen Furniture product is designed to meet your highest expectations. We guarantee that you will immediately see the value of our fine furniture.

This warranty gives you specific legal rights and you may also have other rights which vary from State to State.

Customer Service: 1-866-942-5362  
8:30 a.m. - 4:30 p.m., PST, Monday to Friday  
**[www.whalenfurniture.com](http://www.whalenfurniture.com)**