

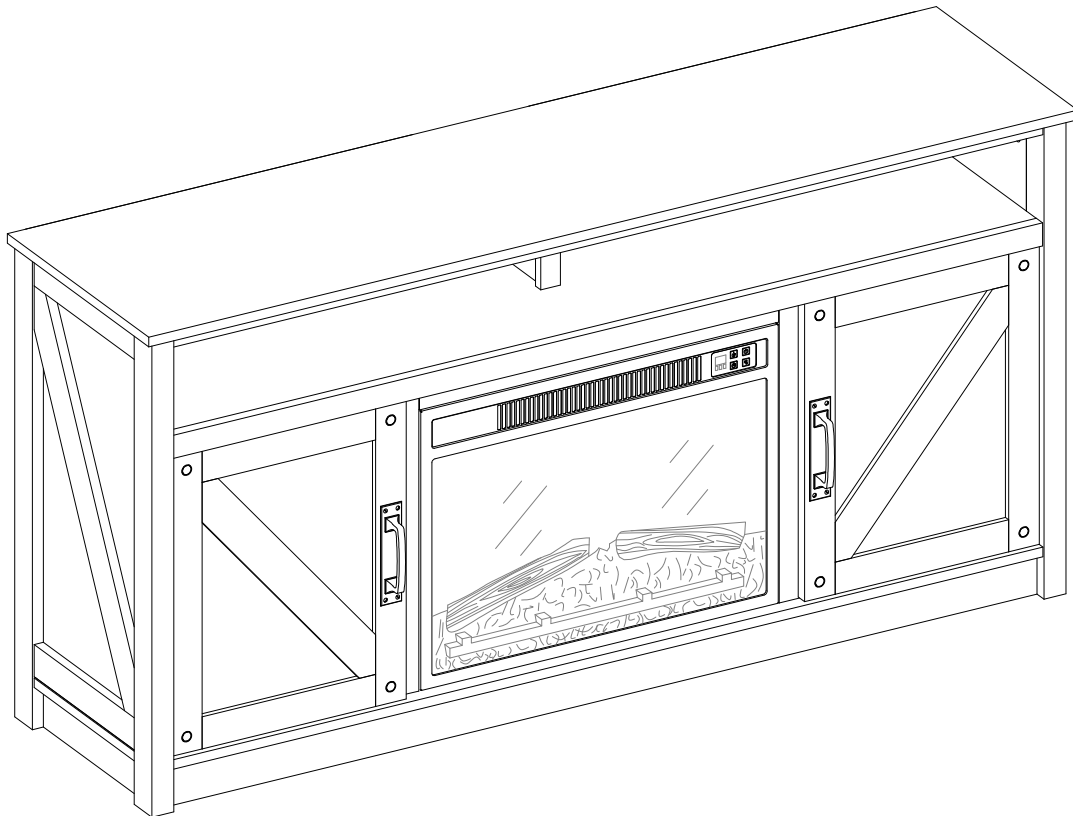


LOT NUMBER: _____
DATE PURCHASED: __/__/__

Farmstead 60" Fireplace Console

Model # WSF60FM23R-AO

WSF60FM23R-PD



ADULT ASSEMBLY REQUIRED

If you have any questions regarding assembly or if parts are missing, DO NOT return this item to the store where it was purchased. Please call our toll-free customer service number and have your instructions and parts list ready to provide the model name, part name or factory number:

1-866-942-5362

Pacific Standard Time: 8:30 a.m. - 4:30 p.m., Monday - Friday

Or visit our website www.whalenfurniture.com

Or e-mail your request to: parts@whalenfurniture.com

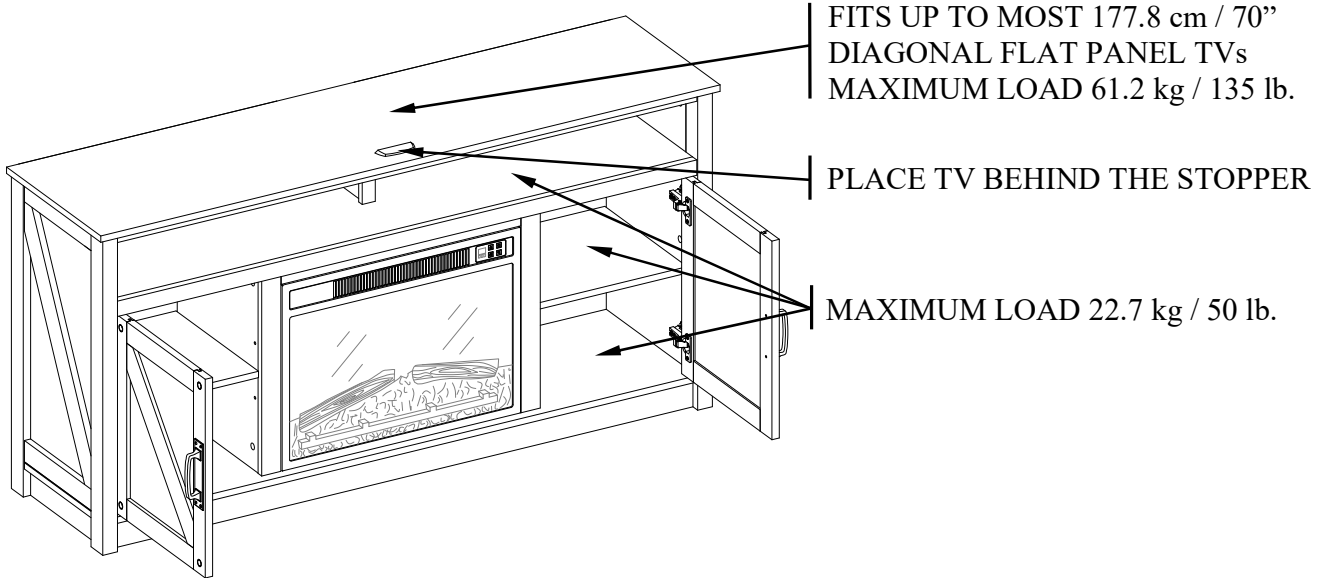
**THIS INSTRUCTION BOOKLET CONTAINS IMPORTANT SAFETY INFORMATION.
PLEASE READ AND KEEP FOR FUTURE REFERENCE.**

Date 2020-03-05

Rev. 0001-A

MAXIMUM RECOMMENDED WEIGHT LOADS

MANUFACTURER: Whalen Furniture Manufacturing
CATALOG: Farmstead 60" Fireplace Console
MODEL # WSF60FM23R-AO / WSF60FM23R-PD



WARNING THIS UNIT IS NOT INTENDED FOR USE WITH CRT TVS. USE ONLY WITH FLAT PANEL TVS AND AUDIO/VIDEO EQUIPMENT MEETING RECOMMENDED SIZE AND WEIGHT LIMITS. NEVER USE WITH LARGER/HEAVIER THAN RECOMMENDED FLAT PANEL TVS OR EQUIPMENT. TO AVOID INSTABILITY, PLACE FLAT PANEL TV IN THE CENTER OF THE UNIT; THE BASE OF THE TELEVISION MUST BE ABLE TO REST ON THE SUPPORTING SURFACE OF THE UNIT WITHOUT OVER-HANGING THE EDGES. IMPROPERLY POSITIONED FLAT PANEL TVs, OR FLAT PANEL TVs INCLUDING OTHER EQUIPMENT THAT EXCEED RECOMMENDED SIZE AND WEIGHT LIMITS COULD FALL OFF OR BREAK THE UNIT, CAUSING POSSIBLE SERIOUS INJURY. FOR USE WITH TELEVISIONS WEIGHING 135 LBS (61.2 KG) OR LESS. USE WITH HEAVIER TELEVISIONS MAY RESULT IN INSTABILITY CAUSING TIP OVER RESULTING IN DEATH OR SERIOUS INJURY.

SPECIAL NOTE

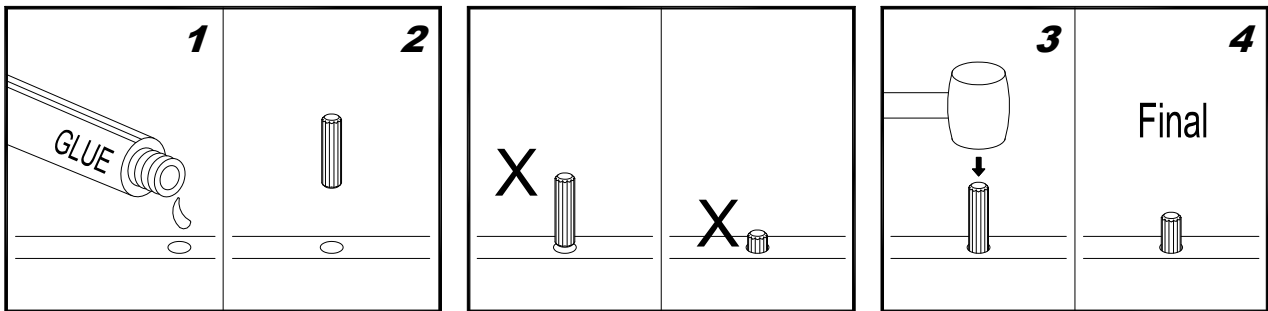
Please read the instruction sheets completely before assembly. Examine all packaging material before discarding carton. Remove any remaining staples from the carton before discarding. Remove all parts from carton and separate into groups as indicated on part list. Please ensure all parts are included prior to assembly. Use of power tools to complete assembly is not recommended.

IMPORTANT

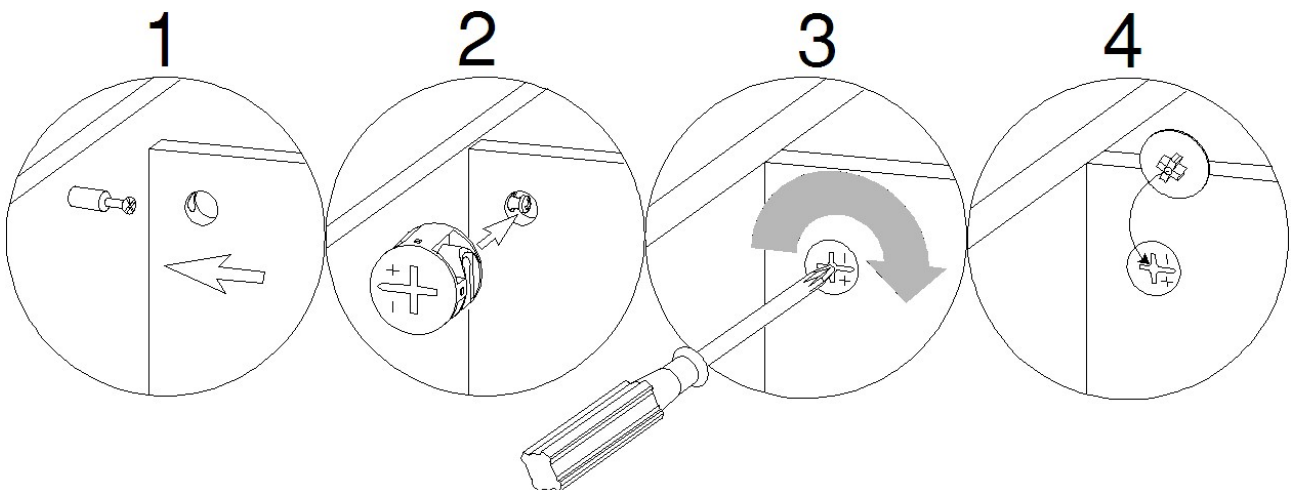
Before you begin: Open, identify and count all parts prior to assembly. Lay out parts on a flat and non-abrasive surface. You will need the parts identified on page 4 and 5 of this instruction manual.

NOTE: IT IS VERY IMPORTANT TO USE GLUE WITH THE DOWELS. EXCESS GLUE CAN BE WIPED OFF WITH A DAMP CLOTH.

Insert Dowel at least half way by tapping lightly with a rubber mallet (not included), IF NECESSARY.



CAM LOCK SYSTEM OPERATION



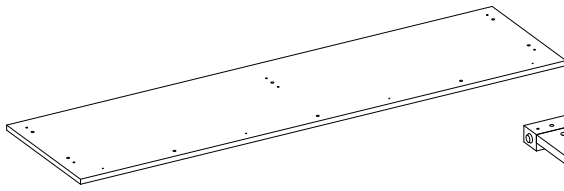
HOW THE KNOCK DOWN (KD) ASSEMBLY SYSTEM WORKS

1. Screw the Cam Bolt into the pre-drilled small holes on the panel. Connect both panels together; making sure the Cam Bolt goes into the pre-drilled hole at the end of the panel with the Cam Lock.
2. Insert the Cam Lock into the pre-drilled large hole in the panel. Make sure the arrow on the Cam Lock is pointed towards the Cam Bolt.
3. Once the Cam Bolt is connected inside the Cam Lock, take a Phillips screwdriver (not included) and tighten the Cam Lock clockwise.
4. Plug the Cam Lock Cover into the cross slot of the Cam Locks to conceal the cam.

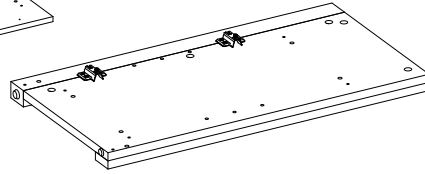
You are now ready to assemble the KD unit.

Parts and Hardware List

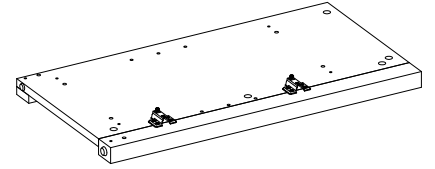
Please read completely through the instructions and verify that all listed parts and hardware are present before beginning assembly.



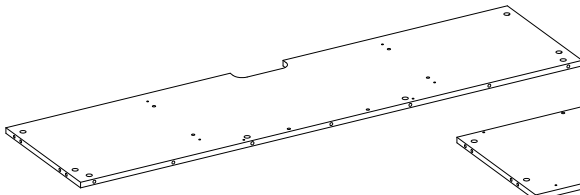
A- Top Panel (Qty. 1)



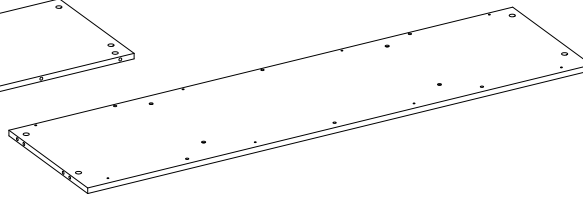
B- Left Side Panel (Qty. 1)



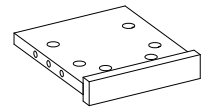
C- Right Side Panel (Qty. 1)



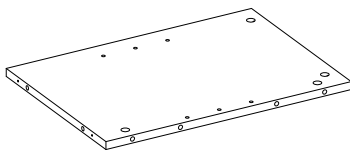
D- Center Shelf (Qty. 1)



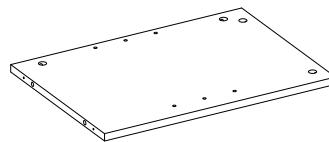
E- Bottom Panel (Qty. 1)



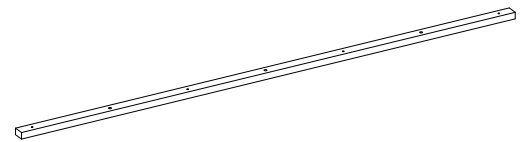
F- Upper Partition Panel (Qty. 1)



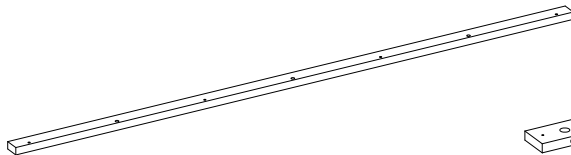
G- Left Lower Partition Panel (Qty. 1)



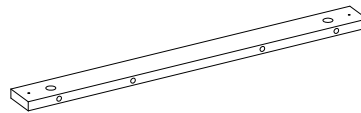
H- Right Lower Partition Panel (Qty. 1)



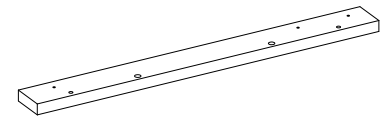
I- Top Front Stretcher (Qty. 1)



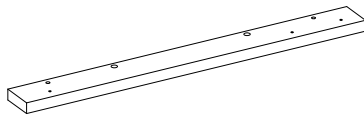
J- Center Shelf Molding (Qty. 1)



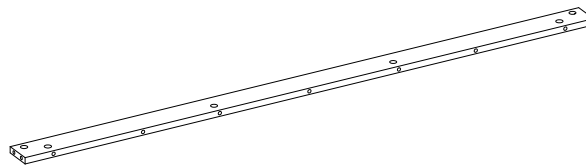
K- Middle Crossbar (Qty. 1)



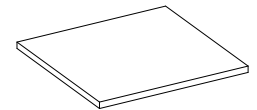
L- Left Middle Stile (Qty. 1)



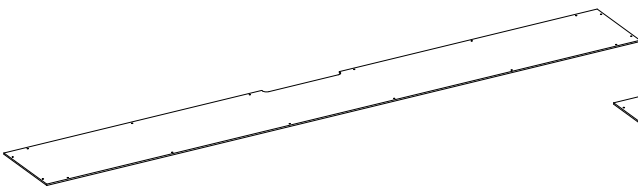
M- Right Middle Stile (Qty. 1)



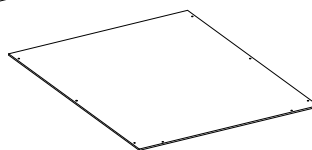
N- Bottom Stretcher (Qty. 2)



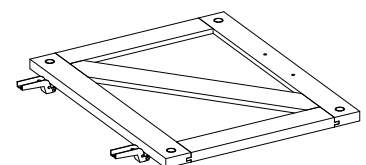
O- Adjustable Shelf (Qty. 2)



P- Upper Back Panel (Qty. 1)



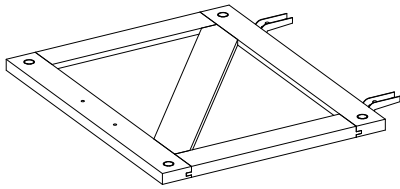
Q- Lower Back Panel (Qty. 2)



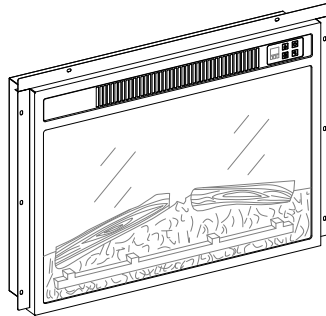
R- Left Door (Qty. 1)

Parts and Hardware List

Please read completely through the instructions and verify that all listed parts and hardware are present before beginning assembly.



S- Right Door (Qty. 1)



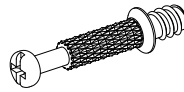
Fireplace Insert (Qty. 1)



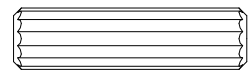
Remote Control with Battery (Qty. 1)



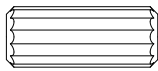
(1) Cam Lock
(Qty. 42+2 extra)



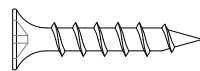
(2) Cam Bolt
(Qty. 42+2 extra)



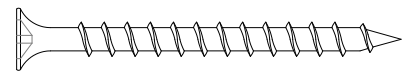
(3) Large Wood Dowel
(Qty. 41+2 extra)



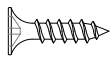
(4) Small Wood Dowel
(Qty. 3+1 extra)



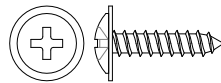
(5) M4 x 25 mm Screw
(Qty. 4+1 extra)



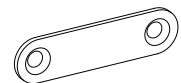
(6) M4 x 50 mm Screw
(Qty. 4+1 extra)



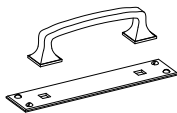
(7) M3.5 x 12 mm Flat Head Screw
(Qty. 4+1 extra)



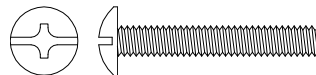
(8) M3.5 x 15 mm Washer Head Screw
(Qty. 32+1 extra)



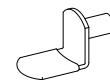
(9) Straight Metal Bracket
(Qty. 2)



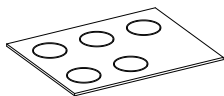
(10) Handle and Back Plate (Qty. 2)



(11) Handle Bolt (Qty. 4)



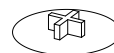
(12) Shelf Support (Qty. 8+1 extra)



(13) Rubber Bumper
(Qty. 4+1 extra)



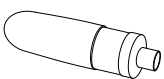
(14) Acrylic Stopper
(Qty. 1)



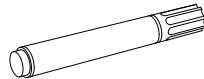
(15) Cam Lock Cover
(Qty. 20+1 extra)



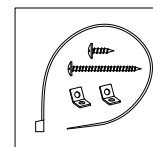
(16) Cam Lock Cap
(Qty. 8+1 extra)



Glue (Qty. 1)



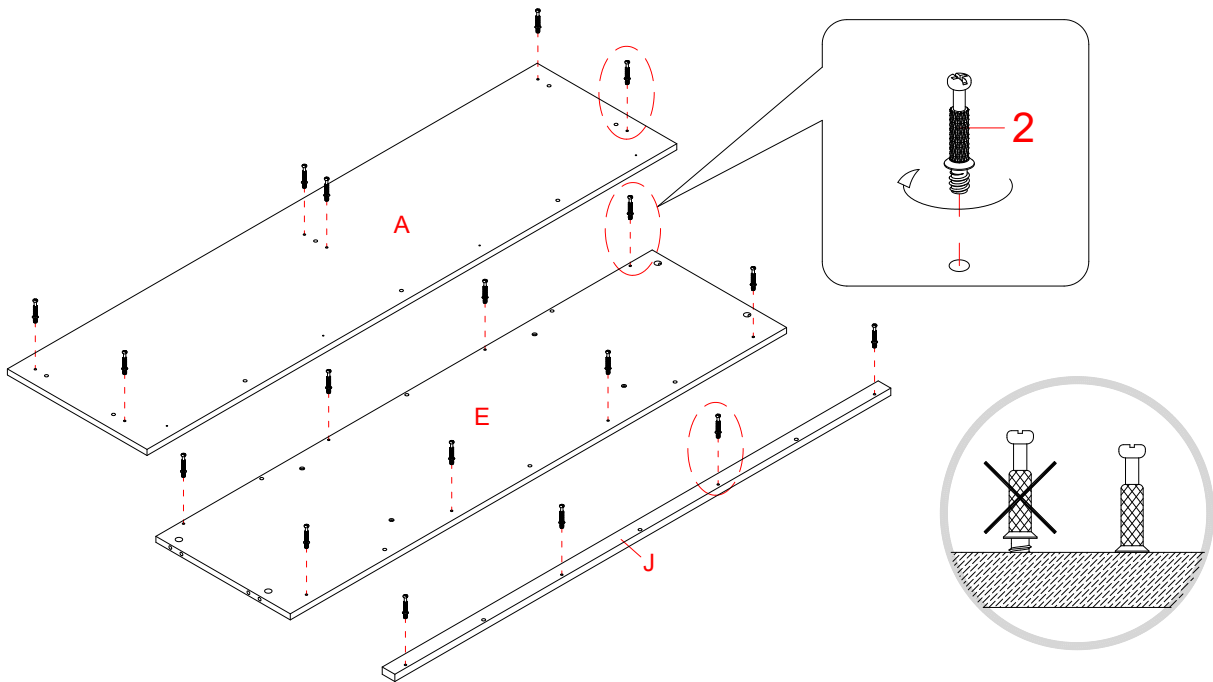
Touch-up Pen (Qty. 1)



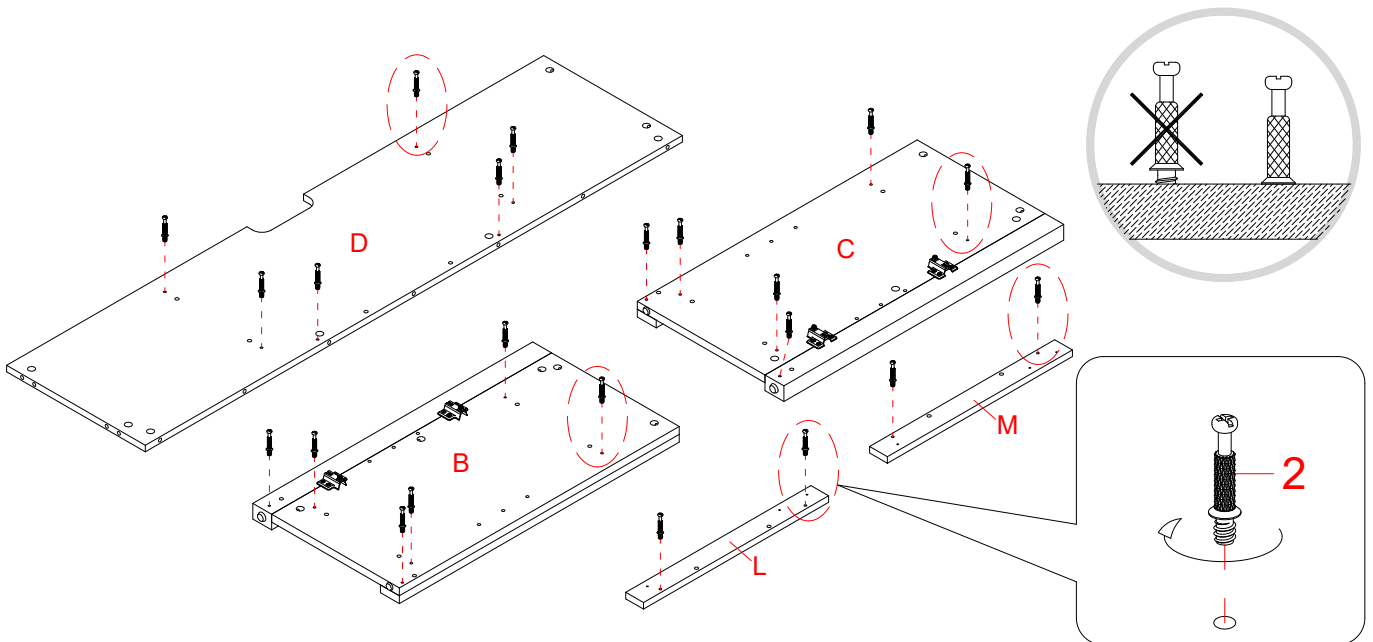
Tipping Restraint Hardware Kit (Qty. 2)
(Included in plastic bag)

Tools required: Phillips screwdriver and hammer (not provided).

Assembly Instructions

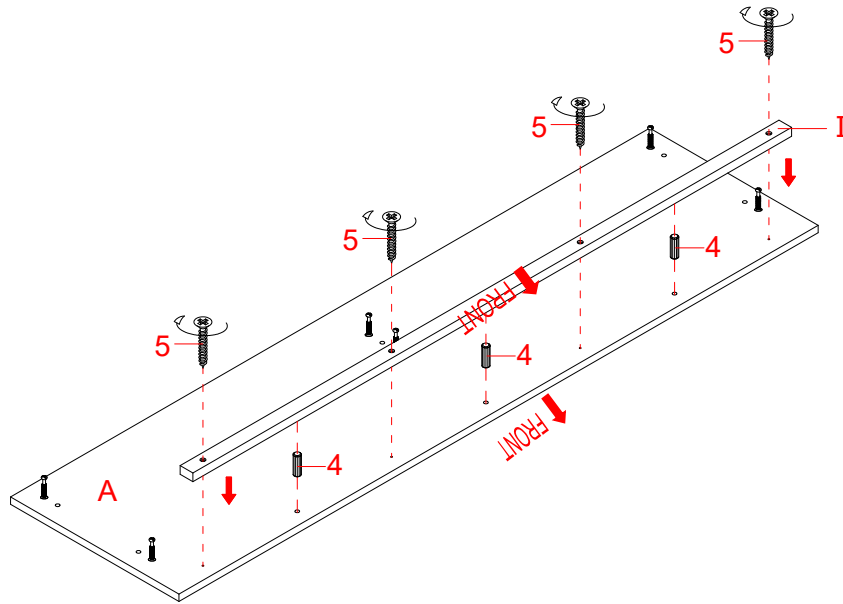


1. Unpack the unit and confirm that you have all the hardware and required parts. Assemble the unit on a carpeted floor or the empty carton to avoid any scratch.
2. Securely screw the Cam Bolts (2) into the designated small holes on the Top Panel (A), the Bottom Panel (E) and the Center Shelf Molding (J) using a Phillips screwdriver.

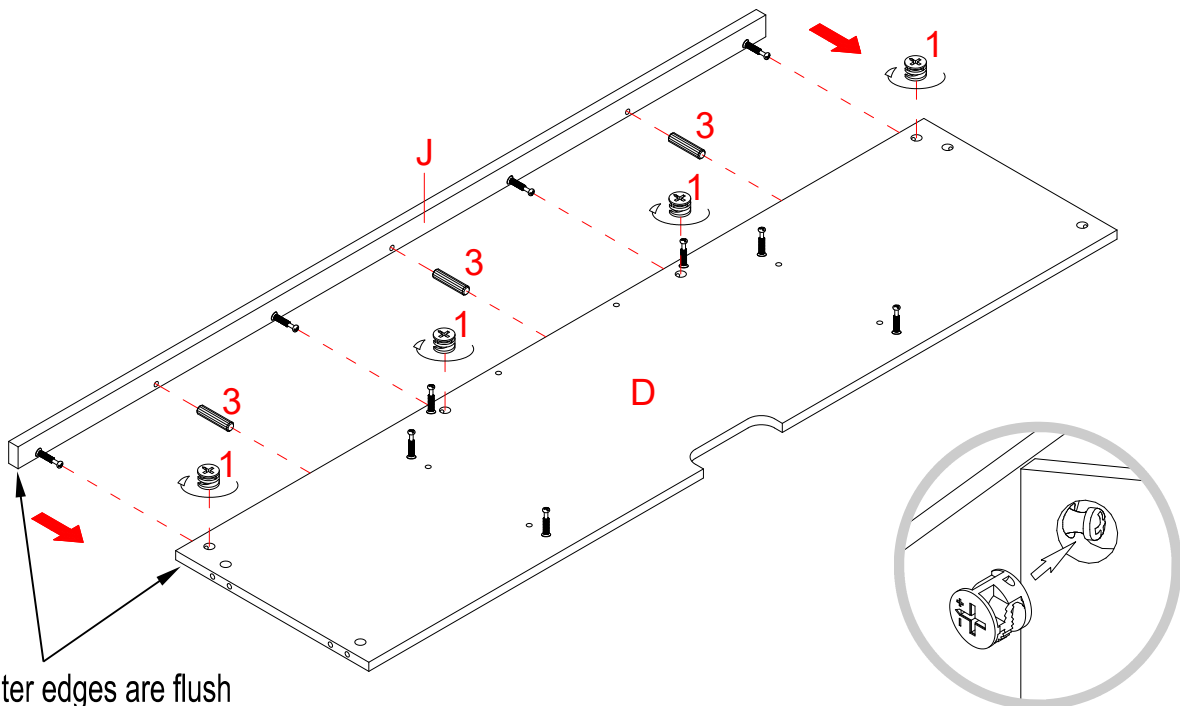


3. Securely screw the Cam Bolts (2) into the designated small holes on the Side Panels (B and C), the Center Shelf (D) and the Middle Stiles (L and M).

Assembly Instructions

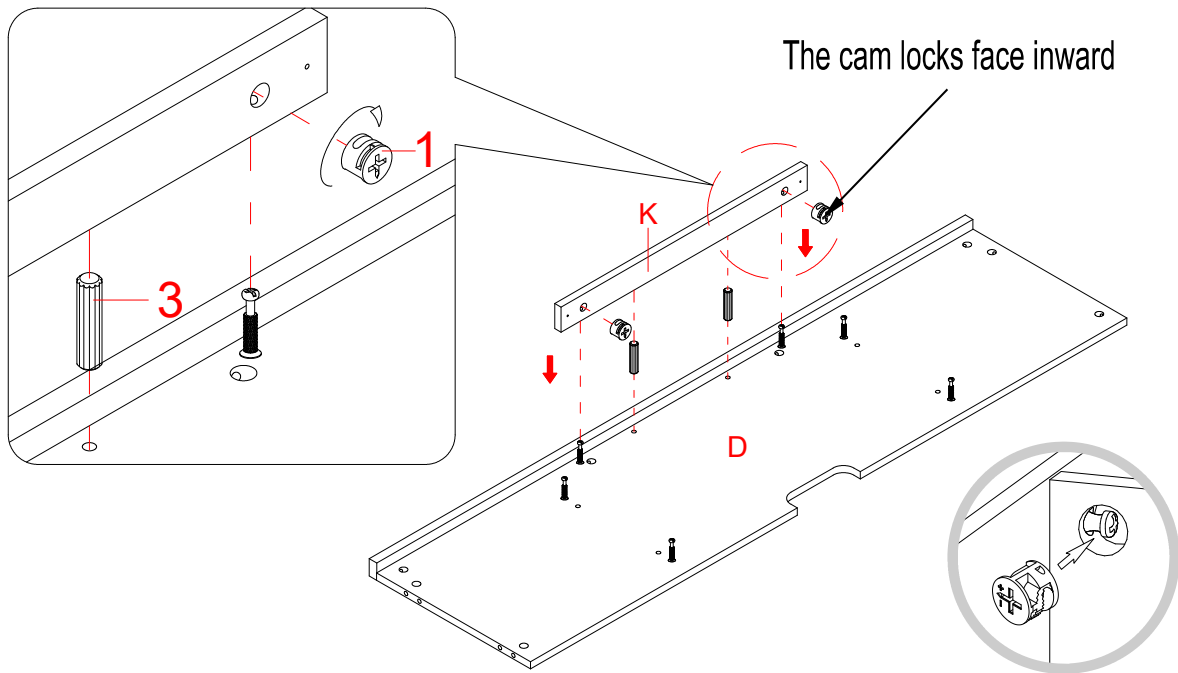


4. Insert three Wood Dowels (4) into the large holes on the front edge of Top Panel (A). Tap in with a rubber mallet, if necessary. Make sure that you use a small amount of glue with both ends of all dowels.
5. Align the drilled holes on the Top Front Stretcher (I) with the inserted Wood Dowels (4) on the Top Panel (A), and then press them together. Secure the Top Front Stretcher (I) in place with four 25 mm Screws (5) using a Phillips screwdriver.

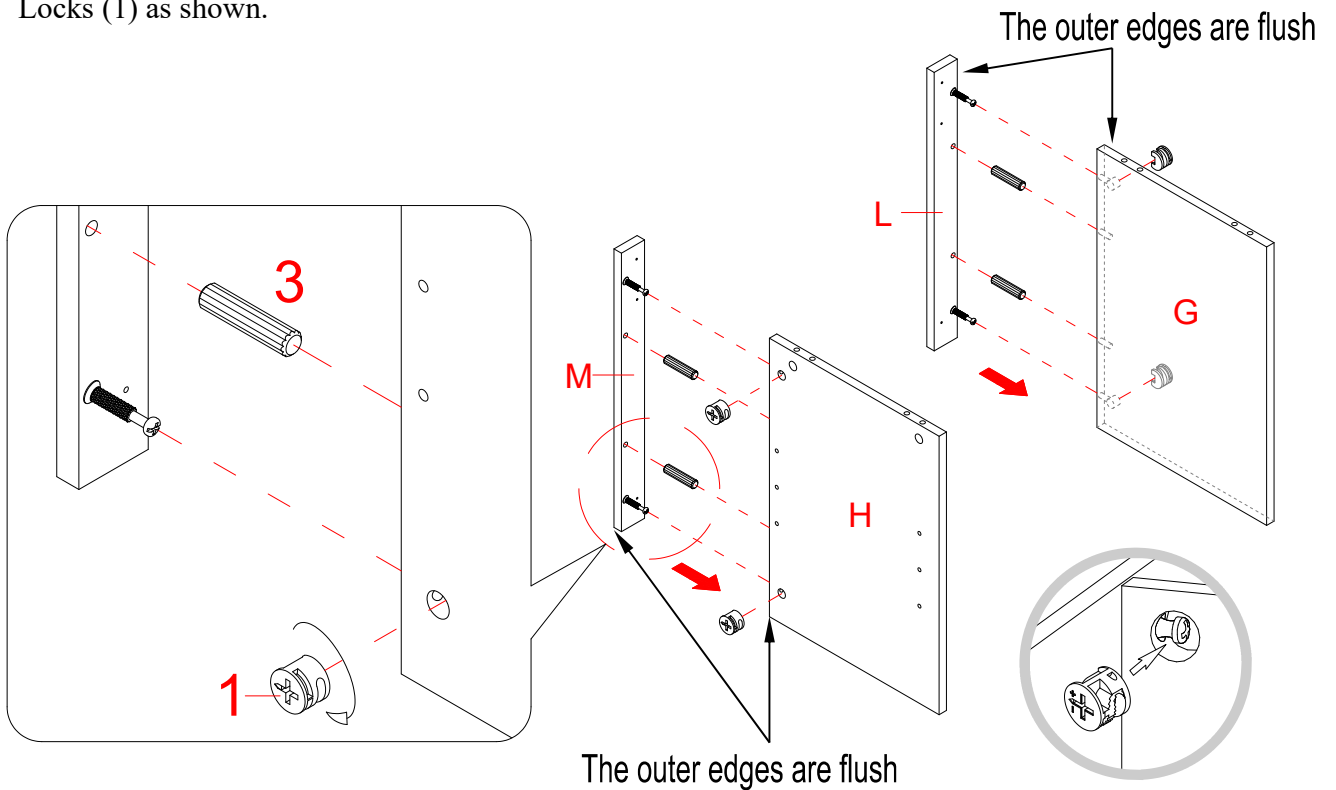


6. Insert three Large Wood Dowels (3) into the inner holes of the Center Shelf Molding (J) and attach it to the Center Shelf (D) by engaging four Cam Locks (1) (Refer to page 3 on Cam Lock system operation supplement).

Assembly Instructions

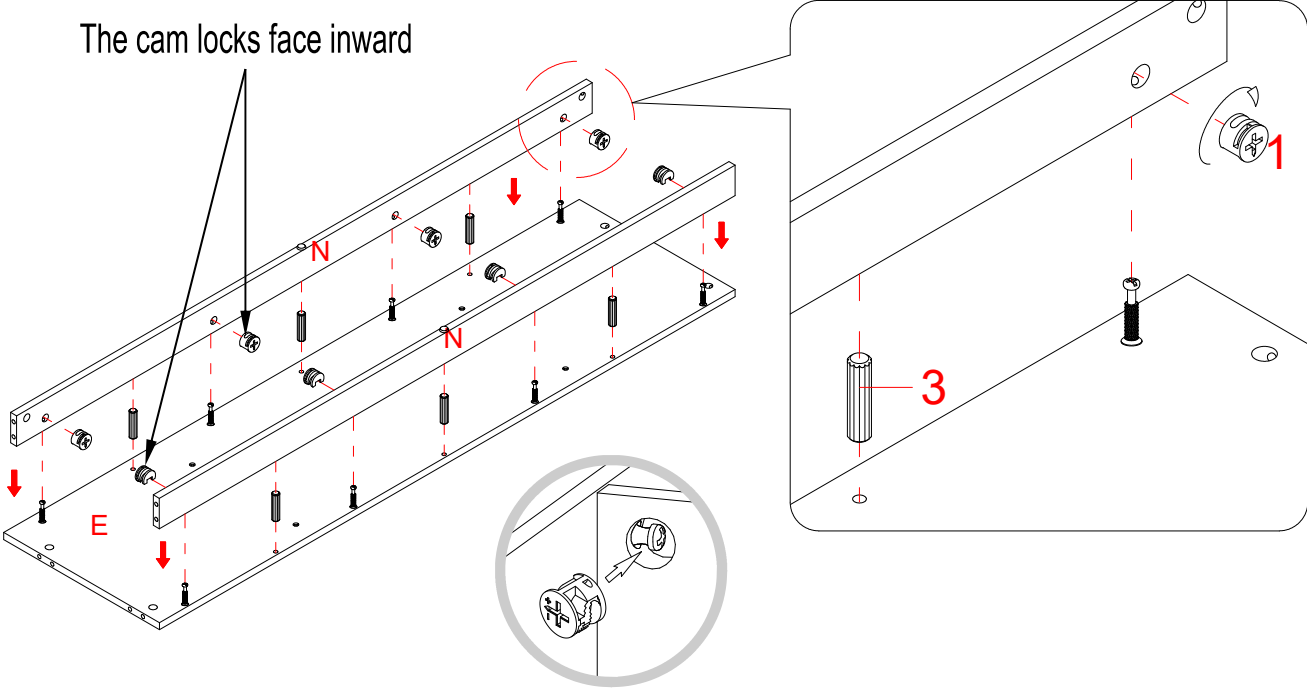


7. Attach the Middle Crossbar (K) to the Center Shelf (D) with two Large Wood Dowels (3) and two Cam Locks (1) as shown.

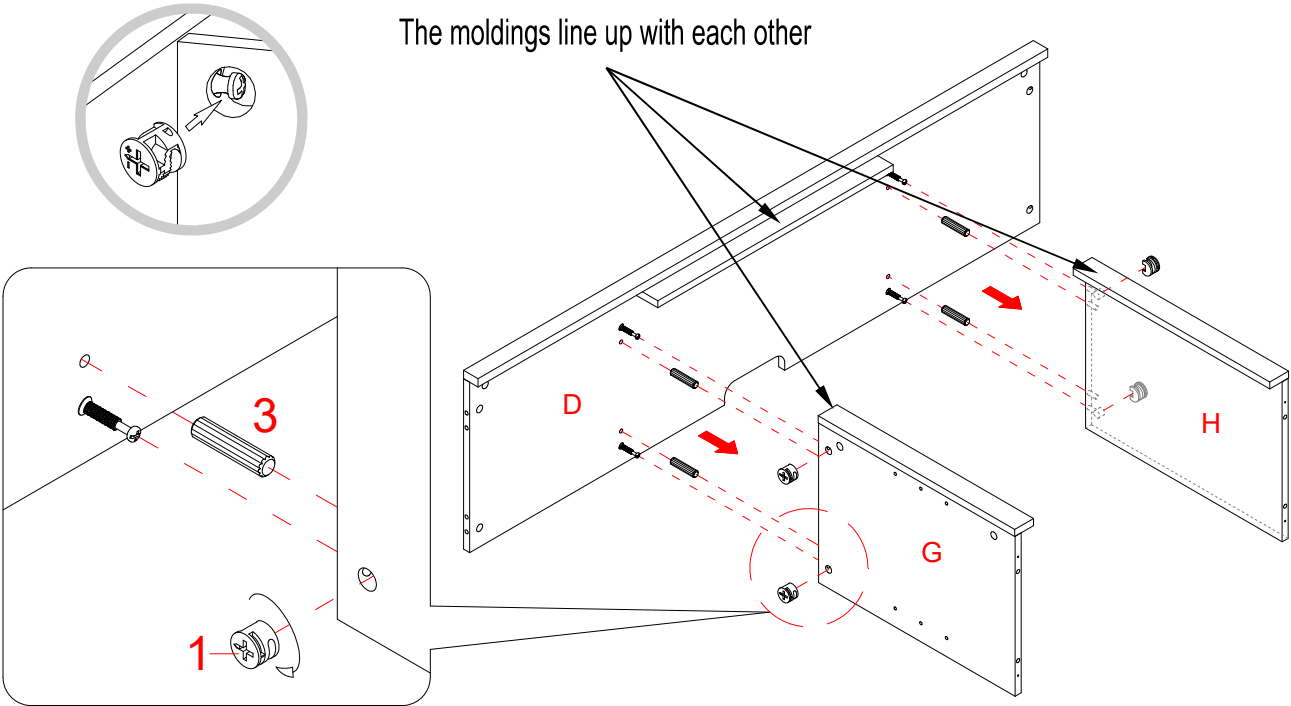


8. Attach the Left Middle Stile (L) to the Left Lower Partition Panel (G) with two Large Wood Dowels (3) and two Cam Locks (1).
9. Repeat the same procedure to combine the Right Middle Stile (M) with the Right Lower Partition Panel (H).

Assembly Instructions

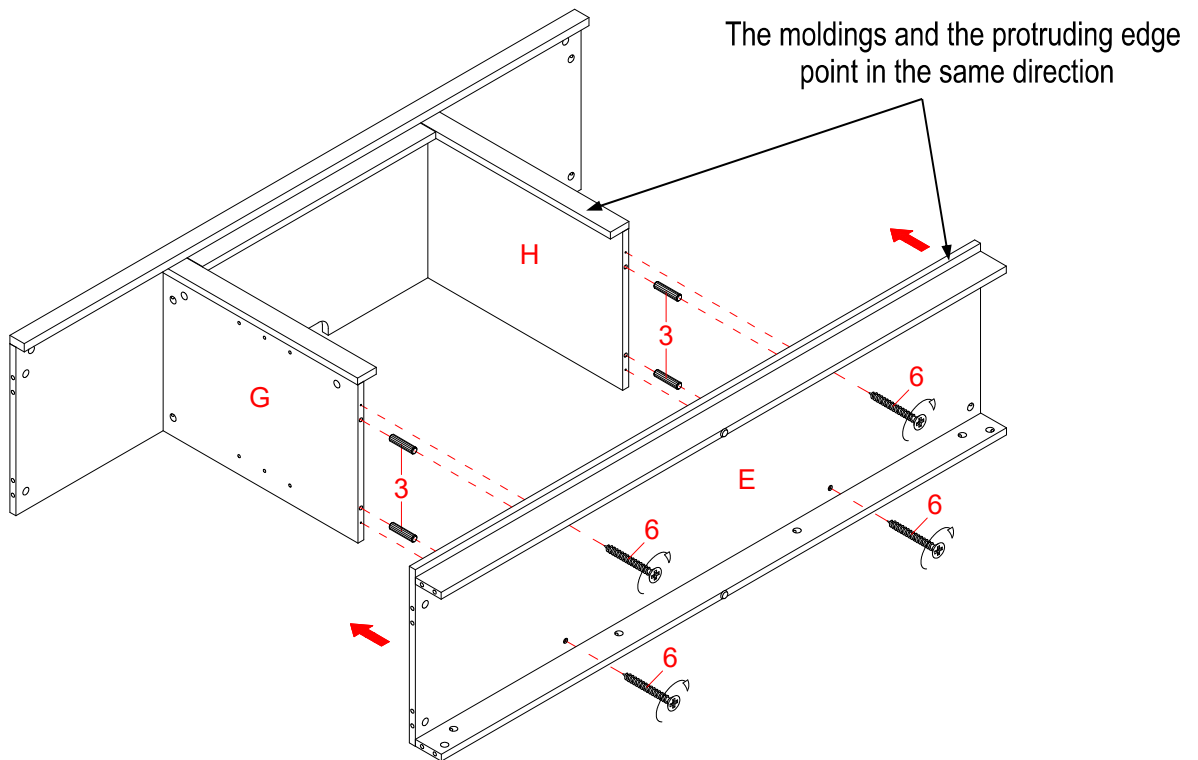


10. Attach two Bottom Stretchers (N) to the Bottom Panel (E) with six Large Wood Dowels (3) and eight Cam Locks (1).

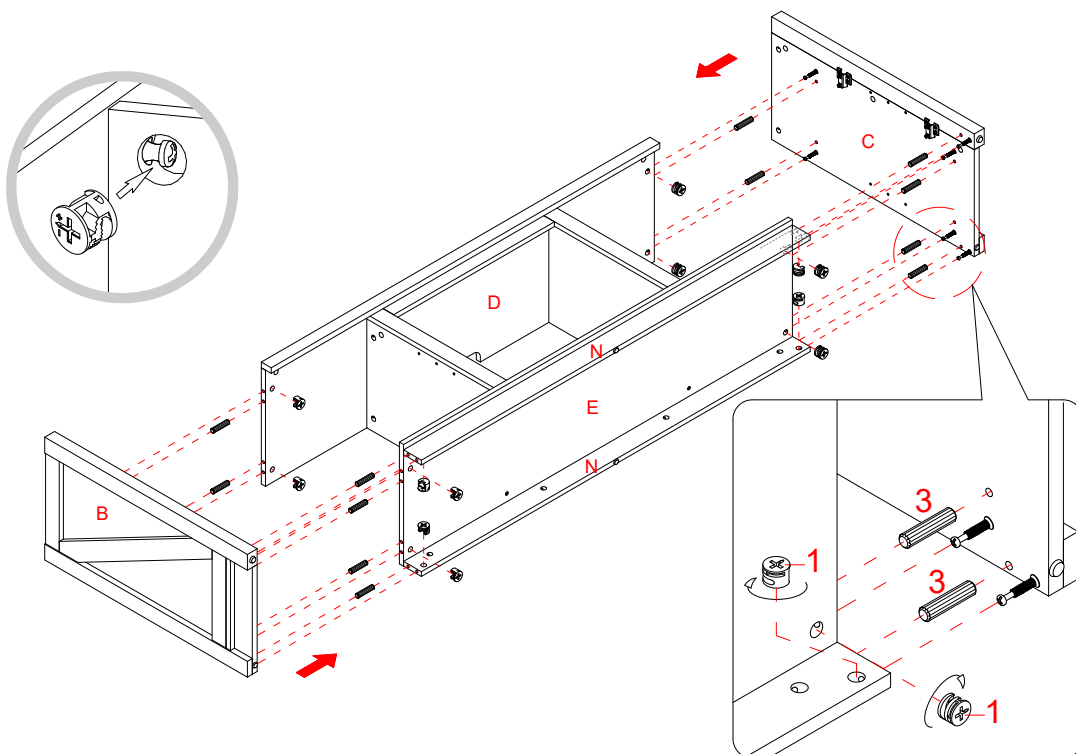


11. Attach the Lower Partition Panels (G and H) to the Center Shelf (D) with four Large Wood Dowels (3) and four Cam Locks (1).

Assembly Instructions



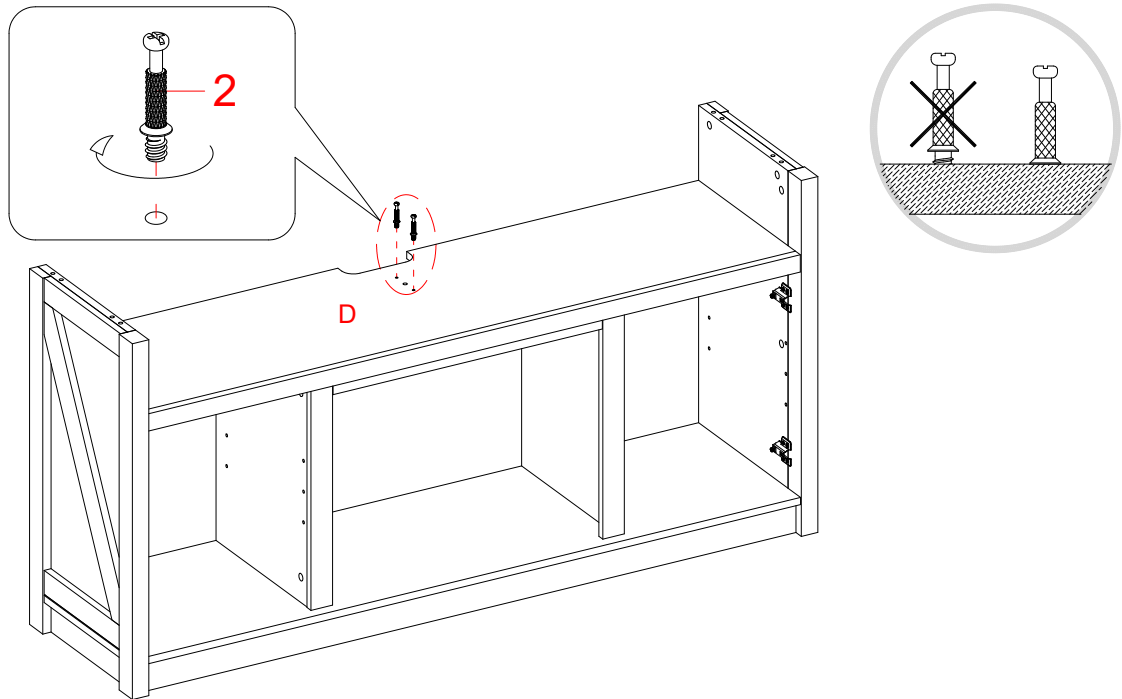
12. Attach the Bottom Panel assembly to the Lower Partition Panels (G and H) with four Large Wood Dowels (3) and four 50 mm Screws (6).



13. Align and attach the Left Side Panel (B) to the previous assembly with six Large Wood Dowels (3) and six Cam Locks (1).

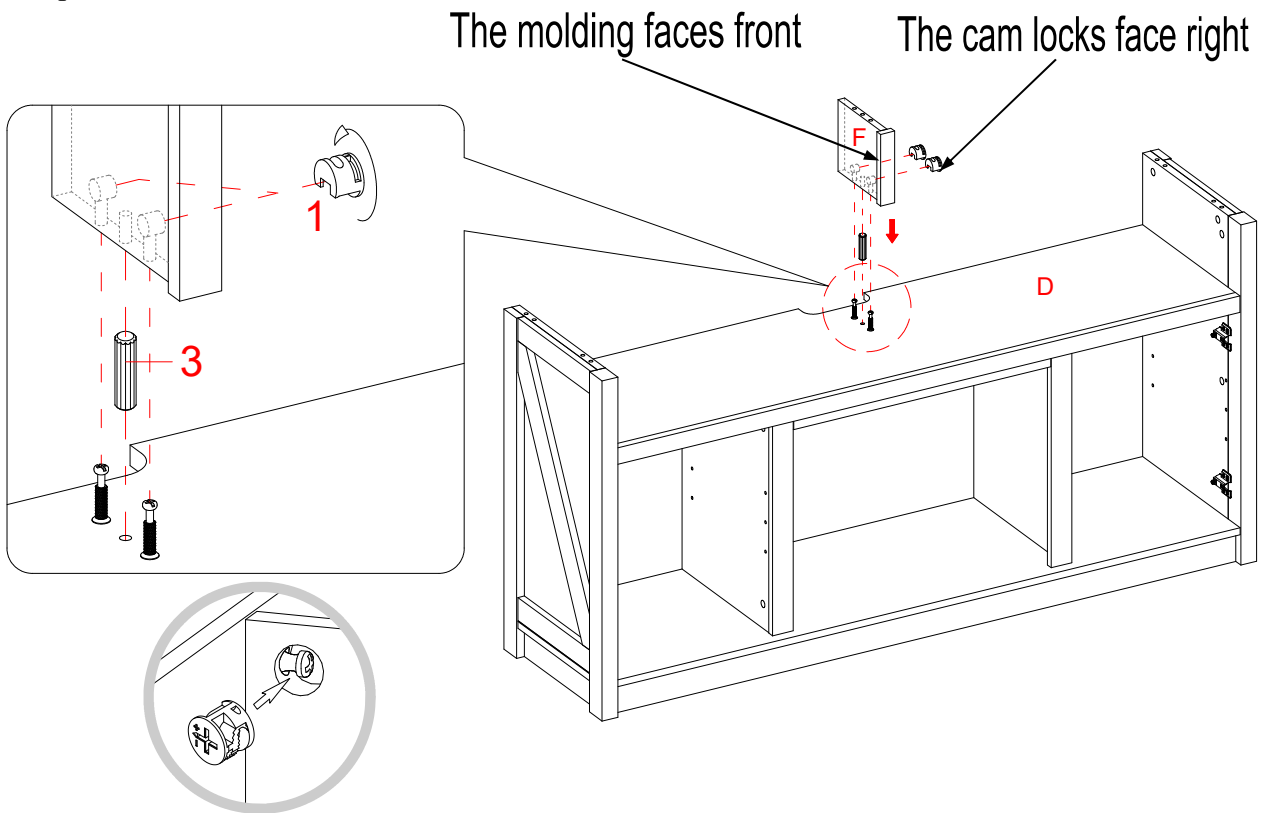
14. Repeat the same procedure to attach the Right Side Panel (C) at the opposite end.

Assembly Instructions



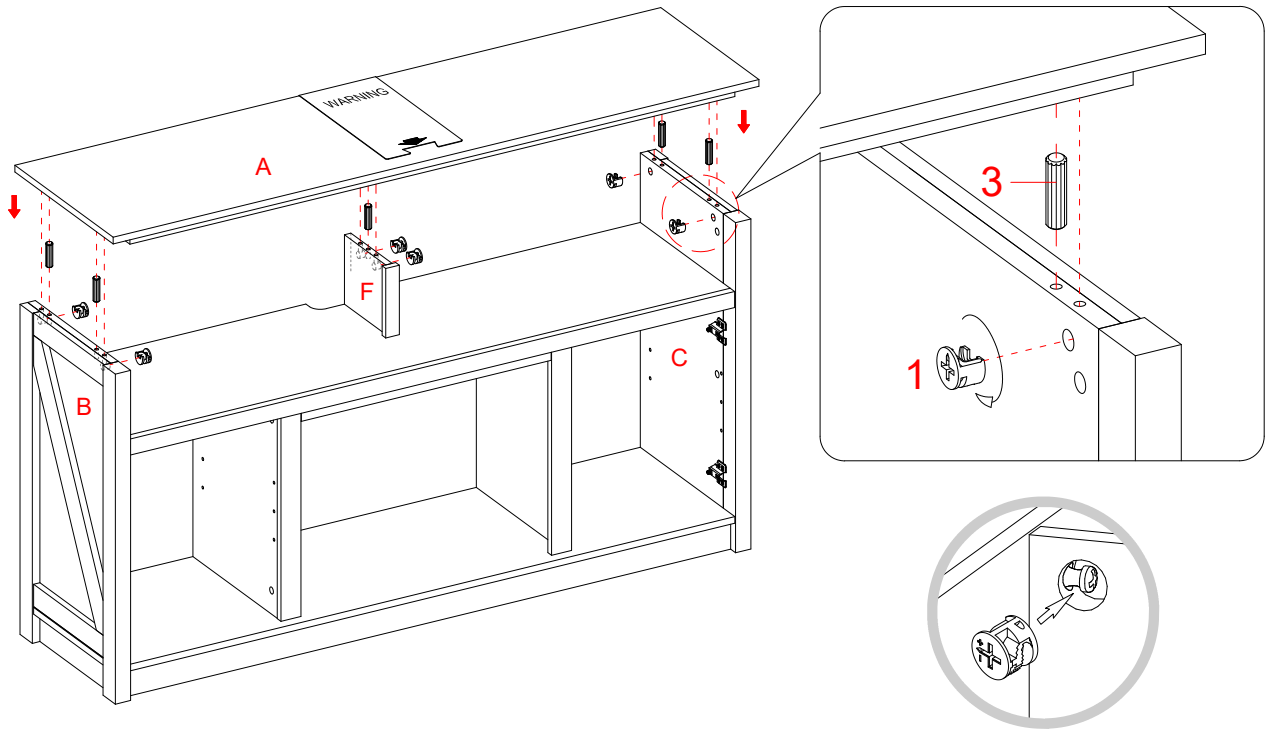
15. Ask for assistance to stand the assembled unit upright.

16. Securely screw two Cam Bolts (2) into the designated small holes on the Center Shelf (D) using a Phillips screwdriver.



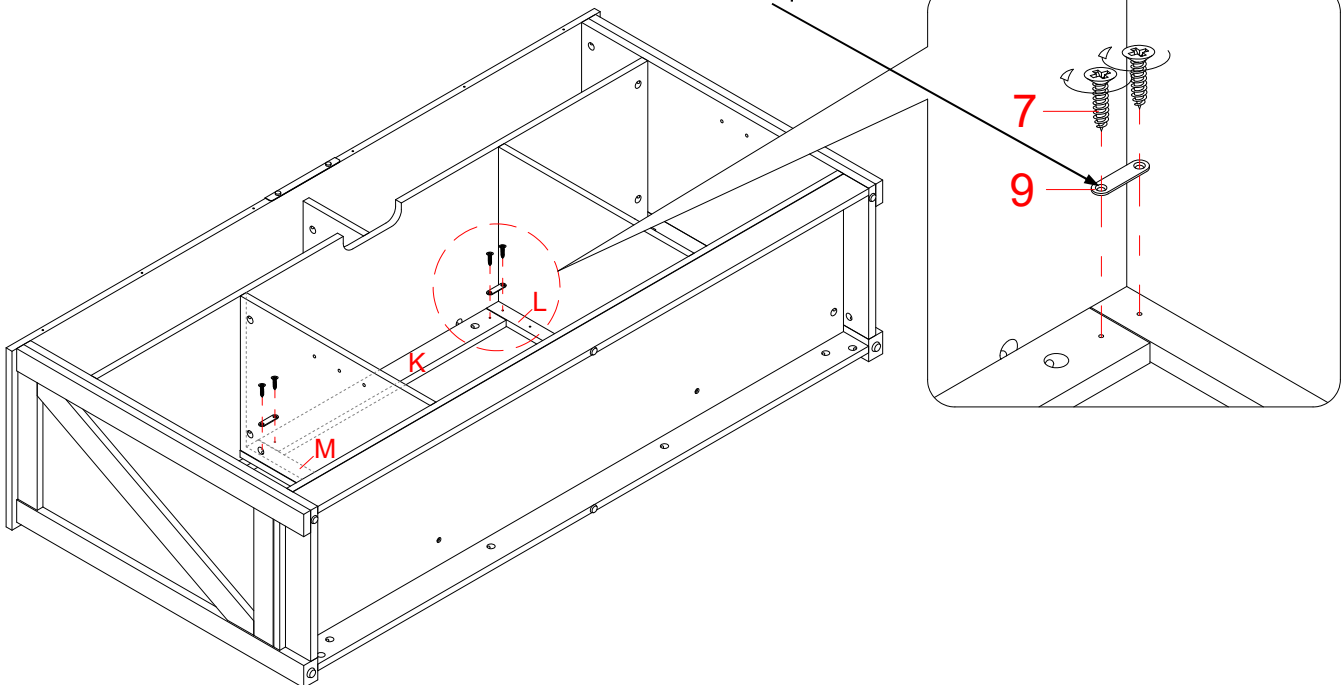
17. Attach the Upper Partition Panel (F) to the Center Shelf (D) with one Large Wood Dowel (3) and two Cam Locks (1).

Assembly Instructions



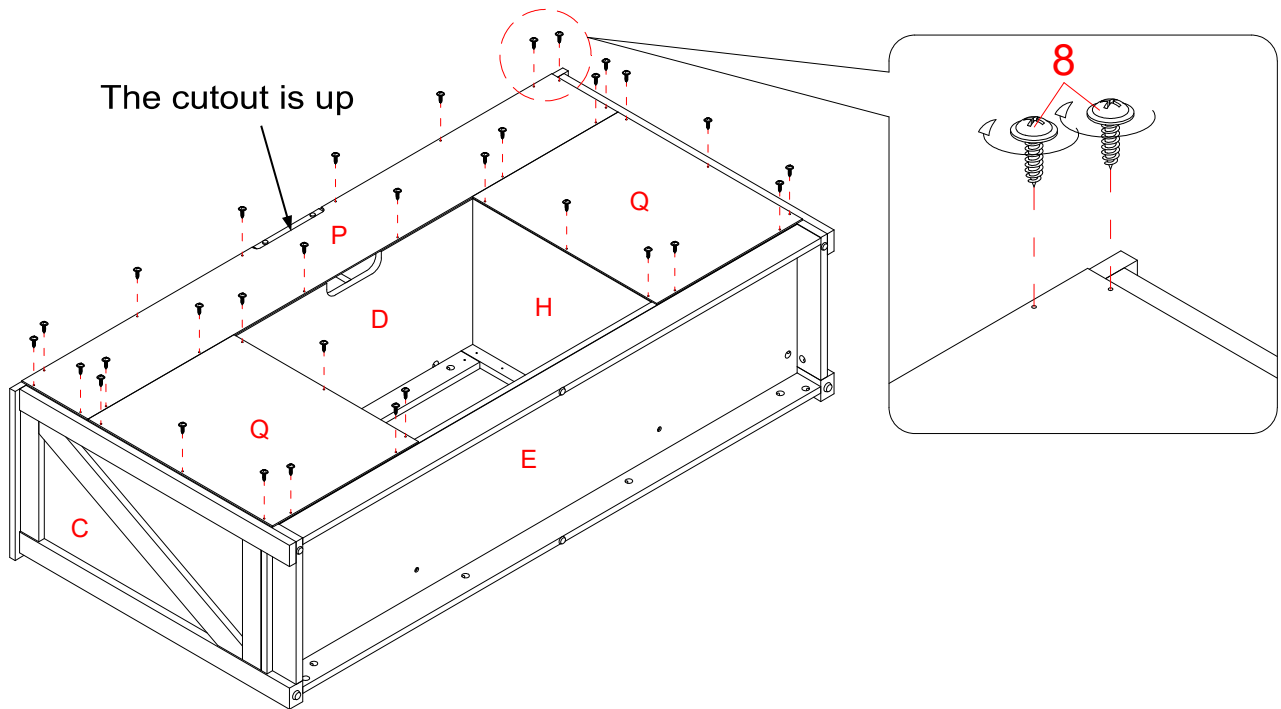
18. Attach the Top Panel (A) to the Side Panels (B and C) and Upper Partition Panel (F) with five Large Wood Dowels (3) and six Cam Locks (1).

The countersunk holes face upward

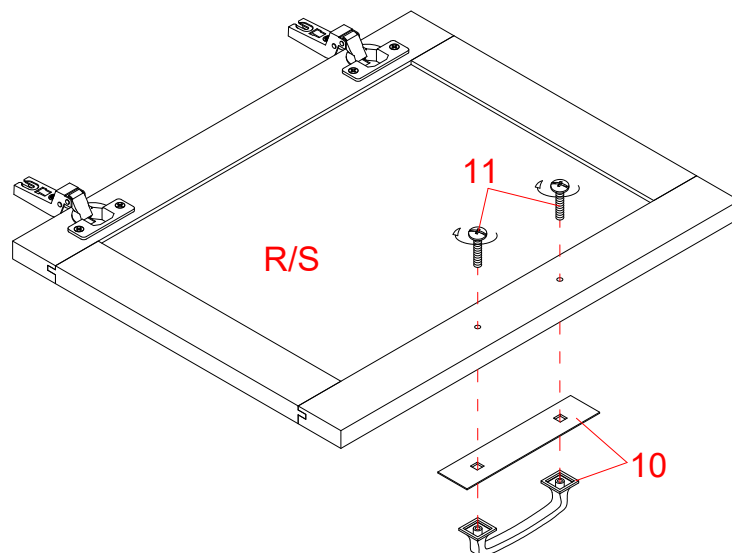


19. Flip the previous assembly around at its front edges.
20. With the pilot holes as a guide, fasten two Straight Metal Brackets (9) at the joints where Middle Crossbar (K) met the Middle Stiles (L and M), using two 12 mm Flat Head Screws (7) per bracket.

Assembly Instructions

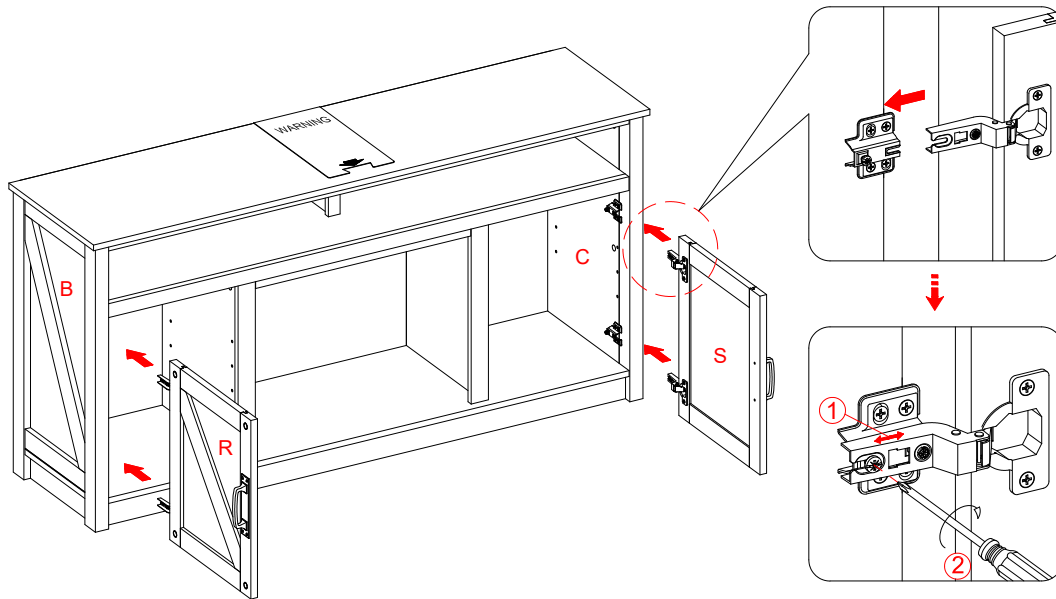


21. Now, go back and securely tighten all the Cam Locks and the Screws. Make sure that all the parts are tight and there are no gaps between the parts. This will help keep the unit square.
 22. Pick up the Upper Back Panel (P) and align the pre-drilled holes against the upper long edge with the pilot holes on the back of the Top Panel (A). Attach the Back Panel (P) in place using the provided Washer Head Screws (8).
- NOTE:** We recommend attaching back panel with the screws at the corners first.
23. Attach two Lower Back Panels (Q) to the mantel frame with the provided Washer Head Screws (8).

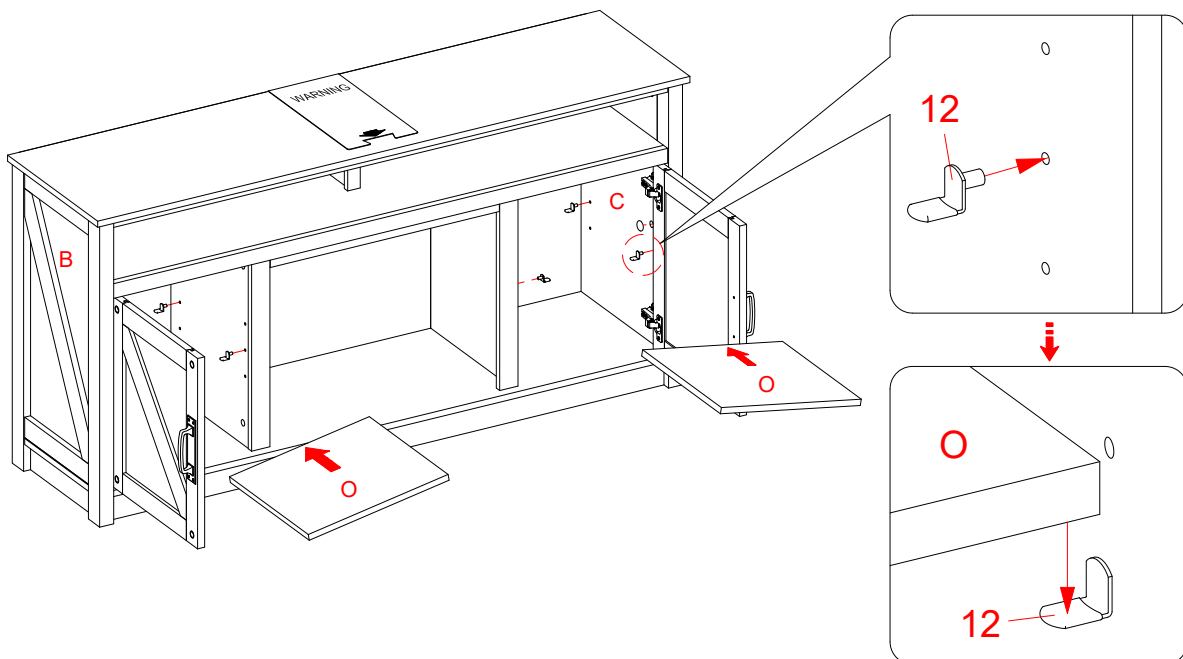


24. Attach one Handle and Back Plate (10) to the front side of each Door (R and S) using two Handle Bolts (11).

Assembly Instructions

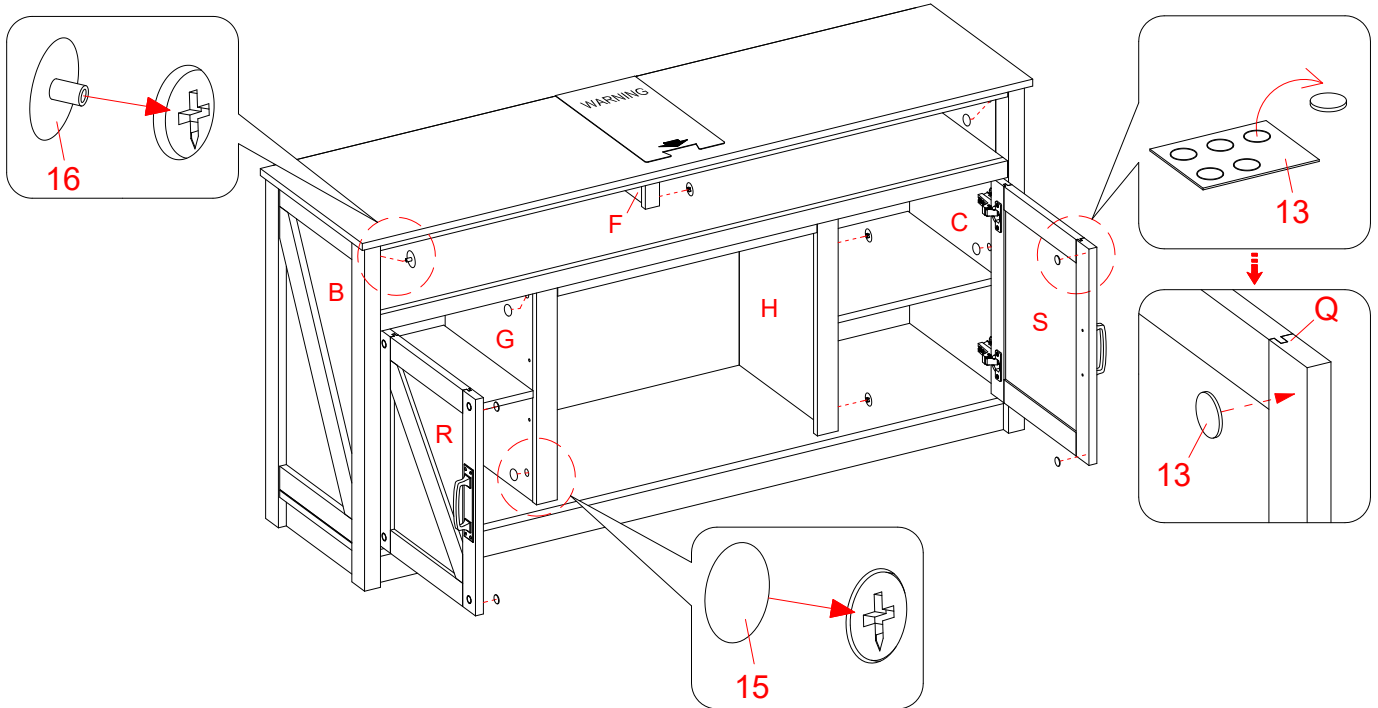


25. Stand the assembled unit upright.
26. Pick up the Left Door (R) and attach the extended Hinge Arms to the Hinge Bases installed on the Left Side Panel (B). Loosen the bolt on the back of the Hinge Base for an easy fit. Align and insert the “U” slot on Hinge Arm under the bolt head on the back of Hinge Base. Make sure that both door hinges engage and function properly. Tighten the bolt on the Hinge Base to lock the hinges in place.
27. Repeat the same procedure to attach the Right Door (S) to the Right Side Panel (C).
28. Open and close the doors to make sure they are aligned and shut correctly. If necessary, adjust the screws for a good fit. Refer to the hinge sticker on door for adjustment.

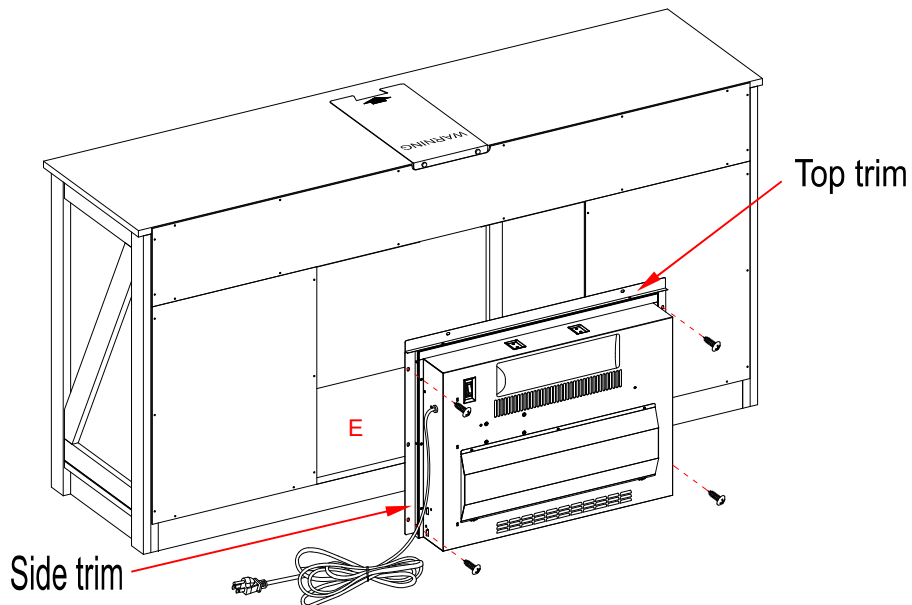


29. Insert the Shelf Supports (12) into the desired holes in the sides of the side compartments. Make sure you place the four Shelf Supports in the same level so the shelf is not tilted. Tilt and rest the Adjustable Shelves (O) onto the Shelf Supports (12).

Assembly Instructions

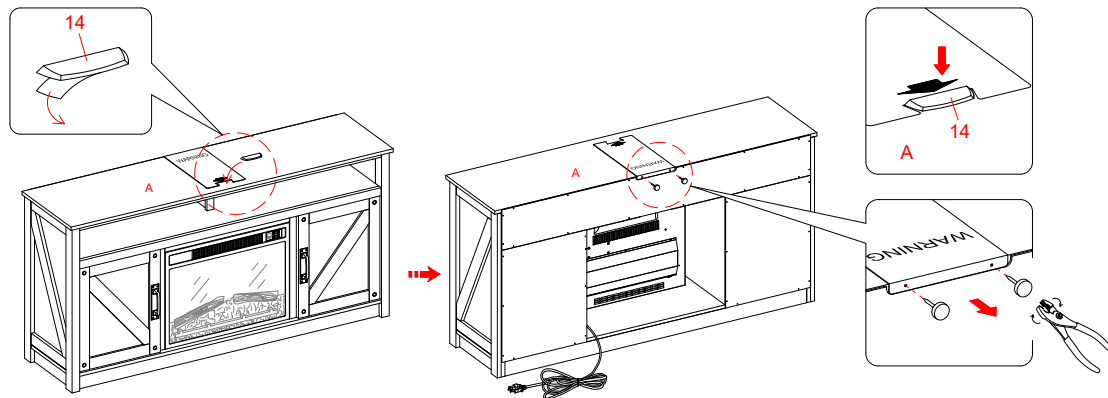


30. Stick the Rubber Bumpers (13) at the outer corners of the Doors (R and S) where they met the Middle Stiles (L and M).
31. Plug the Cam Lock Caps (16) onto the visible Cam Locks included on the Side Panels (B and C) to conceal the Cams.
32. Plug the Cam Lock Covers (15) onto the visible Cam Locks to conceal the Cams.



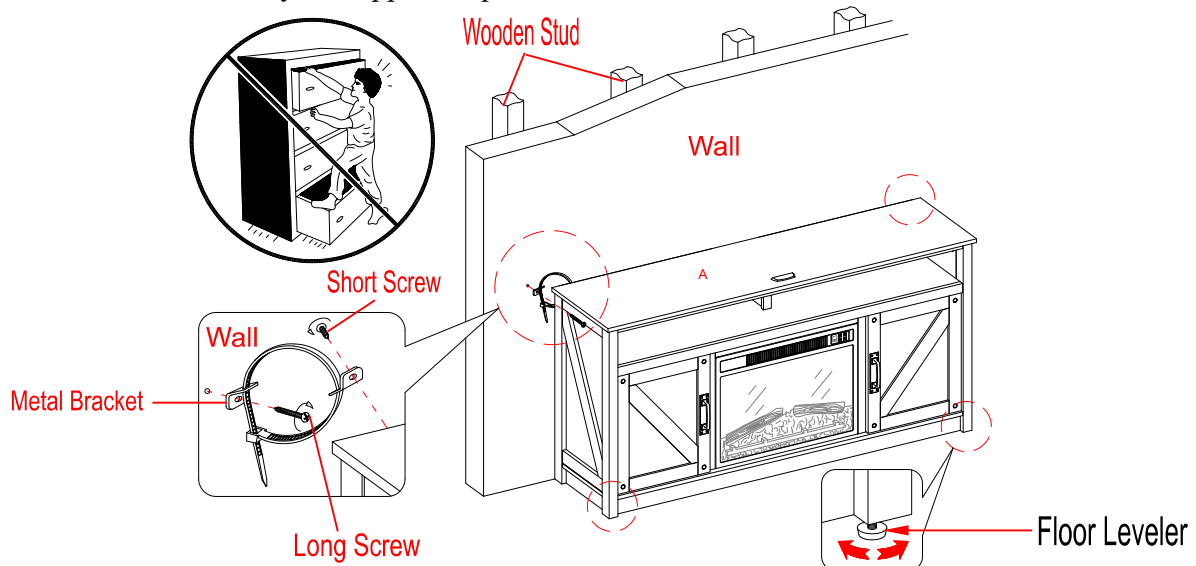
33. Unpack the fireplace insert from the inner box and follow the instructions to install the Top Trim and Side Trims to the fireplace insert.
34. Lift the fireplace insert carefully into the back of the assembled mantel and center it in the opening.
DO NOT drag the insert across the Bottom Panel (E) as it may scratch the unit.
35. Fasten the fireplace insert to the mantel with four insert screws as shown.

Assembly Instructions



NOTE: To prevent your TV from tipping, you must follow these instructions if you place a TV on top of your console. Otherwise, skip to “Step 37”.

36. Remove the paper backing from the Acrylic Stopper (14), then properly align the Acrylic Stopper into the cut-out on the acrylic stopper template on the Top Panel (A). Press down on the acrylic stopper to help adhesion.
37. At the back of Top Panel (A), grip the head of plastic tack with pliers, with twisting motion pull tack loose to remove the acrylic stopper template.



Tools required: Phillips screwdriver, stud finder, pencil, measure tape, power drill and 1/8” drill bit.

38. Ask for assistance to position the assemble fireplace at the desired location against a wall. If necessary, adjust the pre-attached Floor Levelers at the bottom of the Side Frames (B and C) to level the unit. Now, follow the instructions printed on the plastic bag containing the Tipping Restraint Hardware to attach the tip-over restraints to the unit and the wall.

NOTE: The tipping restraint hardware included is for wooden stud wall construction. It must be attached to a wall stud. Depending upon your wall construction, different anchor hardware maybe required. Please contact your local hardware store for assistance. Young children can be seriously injured by tipping furniture. You must install the Tipping Restraint Hardware with the unit to prevent the unit from tipping, causing any accidents or damage. The tipping restraints are intended only as a deterrent, they are not a substitute for proper adult supervision. The tipping restraints are not earthquake restraints. If you wish to add the extra security of earthquake restraints, they must be purchased and installed separately.

39. Connect the fireplace to the power transformer. Follow the operating manual for the electric fireplace insert to control your fireplace.

Care and Maintenance

- Use a soft, clean cloth that will not scratch the surface when dusting.
- Use of furniture polishes is not necessary. Should you choose to use polishes, test first in an inconspicuous area.
- Using solvents of any kind on your furniture may damage the finish.
- Never use water to clean your furniture as it may cause damage to the finish.
- Always use coasters under beverage glasses and flowerpots.
- Liquid spills should be removed immediately. Using a soft clean cloth, blot the spill gently. Avoid rubbing.
- Always use protective pads under hot dishes and plates. Heat can cause chemical changes that may create spotting within the furniture finish.
- In the event that your furniture is stained or otherwise damaged during use, we recommend that you call a professional to repair your furniture.
- Check bolts/screws periodically and tighten them if necessary.

Further Advice about Wood Furniture Care

It is best to keep your furniture in a climate-controlled environment. Extreme temperature and humidity changes can cause fading, warping, shrinking and splitting of wood. It is advised to keep furniture away from direct sunlight as sun may damage the finish.

Proper care and cleaning at home will extend the life of your purchase. Following these important and helpful tips will enhance your furniture as it ages.

Cleaning Trim for Fireplace

Clean the metal trim using a soft cloth, slightly dampened with citrus oil based product and buff with a clean soft cloth. DO NOT use brass polish or household cleaners as these products will damage the metal trim. Citrus oil based products can be obtained at supermarkets or hardware stores.

A touch-up pen has been provided to minimize the small nicks or scratches that may occur during assembly or shipping.

We hope you enjoy your purchase for many years.
Thank you for your purchase!

QUALITY GUARANTEE

We are confident that you will be delighted with your Whalen Furniture purchase.

Should this product be defective in workmanship or materials or fail under normal use, we will repair or replace it for up to one (1) year from date of purchase. Every Whalen Furniture product is designed to meet your highest expectations. We guarantee that you will immediately see the value of our fine furniture.

This warranty gives you specific legal rights and you may also have other rights which vary from State to State.

Customer Service: 1-866-942-5362
8:30 a.m. - 4:30 p.m., PST, Monday to Friday
www.whalenfurniture.com