

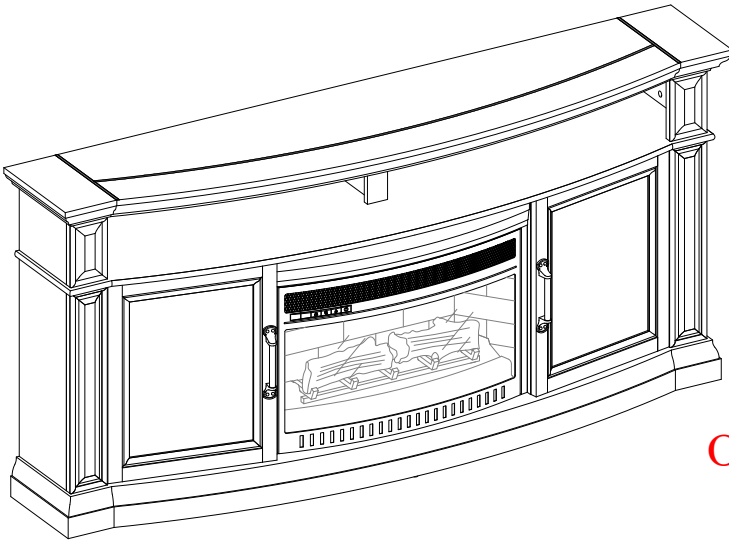


LOT NUMBER: _____
DATE PURCHASED: __/__/__

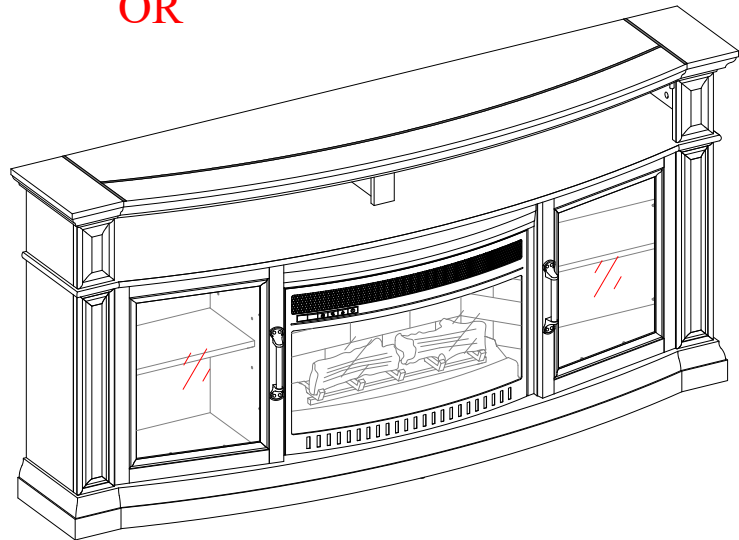
Middleton 72" Fireplace Console

Model # WSF72WV26-DB

WSF72WV26-WA



OR



ADULT ASSEMBLY REQUIRED

If you have any questions regarding assembly or if parts are missing, DO NOT return this item to the store where it was purchased. Please call our toll-free customer service number and have your instructions and parts list ready to provide the model name, part name or factory number:

1-866-942-5362

Pacific Standard Time: 8:30 a.m. - 4:30 p.m., Monday - Friday
Or visit our website 24 H a day, 7 days a week for product assistance at
www.whalenfurniture.com

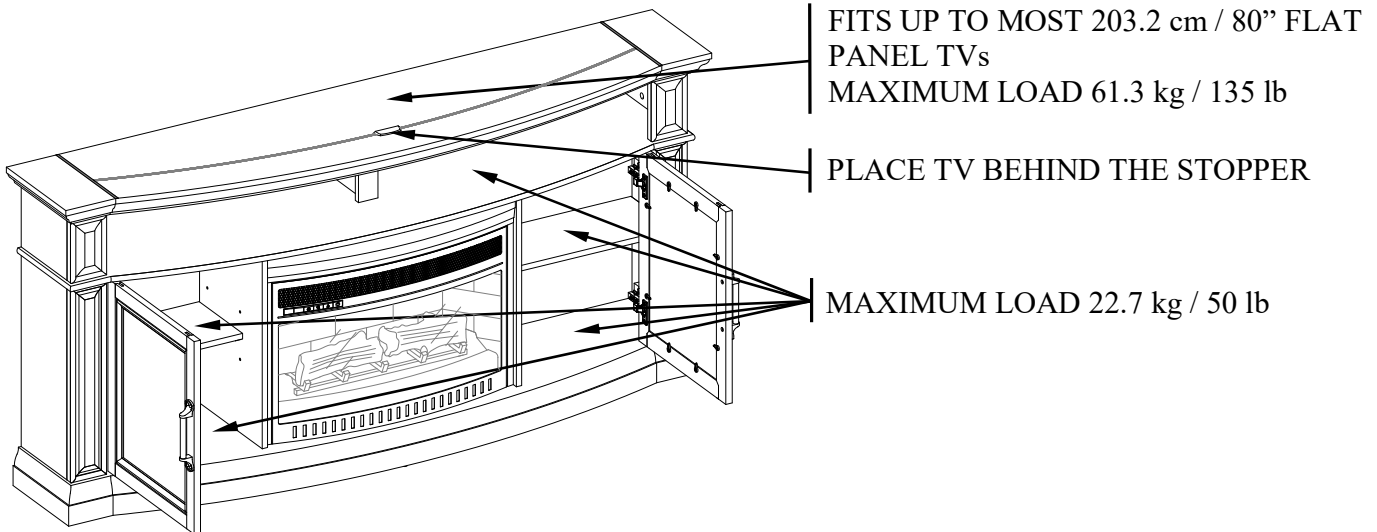
Or e-mail your request to: parts@whalenfurniture.com

**THIS INSTRUCTION BOOKLET CONTAINS IMPORTANT SAFETY INFORMATION.
PLEASE READ AND KEEP FOR FUTURE REFERENCE.**

Date 2018-07-17 Rev. 0001-A Factory: GALFUR

MAXIMUM RECOMMENDED WEIGHT LOADS

MANUFACTURER: Whalen Furniture Manufacturing
CATALOG: Middleton 72" Fireplace Console
MODEL # WSF72WV26-DB / WSF72WV26-WA
MADE IN CHINA



⚠ WARNING

THIS UNIT IS NOT INTENDED FOR USE WITH CRT TVS. USE ONLY WITH FLAT PANEL TVS AND AUDIO/VIDEO EQUIPMENT MEETING RECOMMENDED SIZE AND WEIGHT LIMITS. NEVER USE WITH LARGER/HEAVIER THAN RECOMMENDED FLAT PANEL TVS OR EQUIPMENT. TO AVOID INSTABILITY, PLACE FLAT PANEL TV IN THE CENTER OF THE UNIT; THE BASE OF THE TELEVISION MUST BE ABLE TO REST ON THE SUPPORTING SURFACE OF THE UNIT WITHOUT OVER-HANGING THE EDGES. IMPROPERLY POSITIONED FLAT PANEL TVS, OR FLAT PANEL TVS INCLUDING OTHER EQUIPMENT THAT EXCEED RECOMMENDED SIZE AND WEIGHT LIMITS COULD FALL OFF OR BREAK THE UNIT, CAUSING POSSIBLE SERIOUS INJURY.

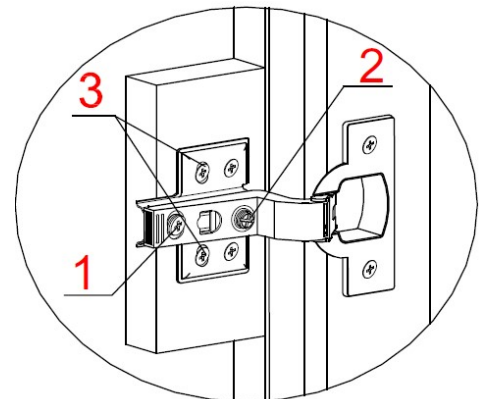
How to adjust the European adjustable hinges on doors

Shipping may cause doors to become out of alignment. If you find that the doors need to be adjusted slightly, turn the appropriate screw as illustrated below.

1. TO ADJUST THE DOOR FORWARD OR BACKWARD.

2. TO ADJUST THE DOOR TO RIGHT OR TO LEFT.

3. TO ADJUST THE DOOR UP OR DOWN.

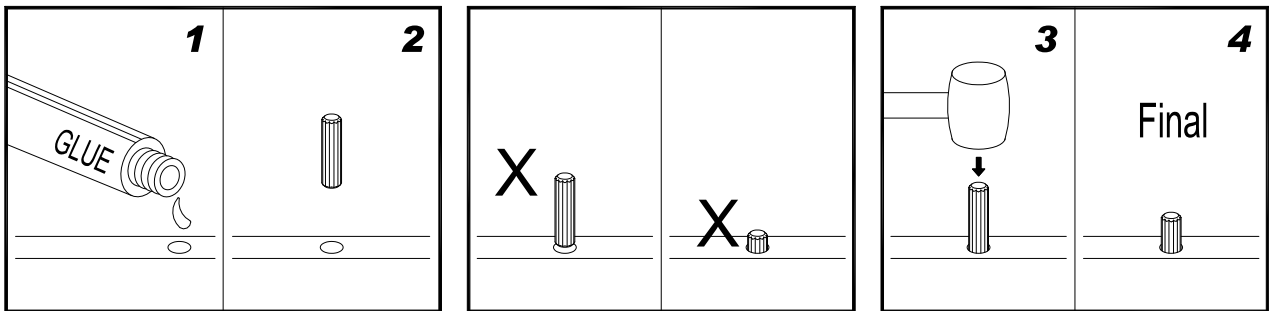


IMPORTANT

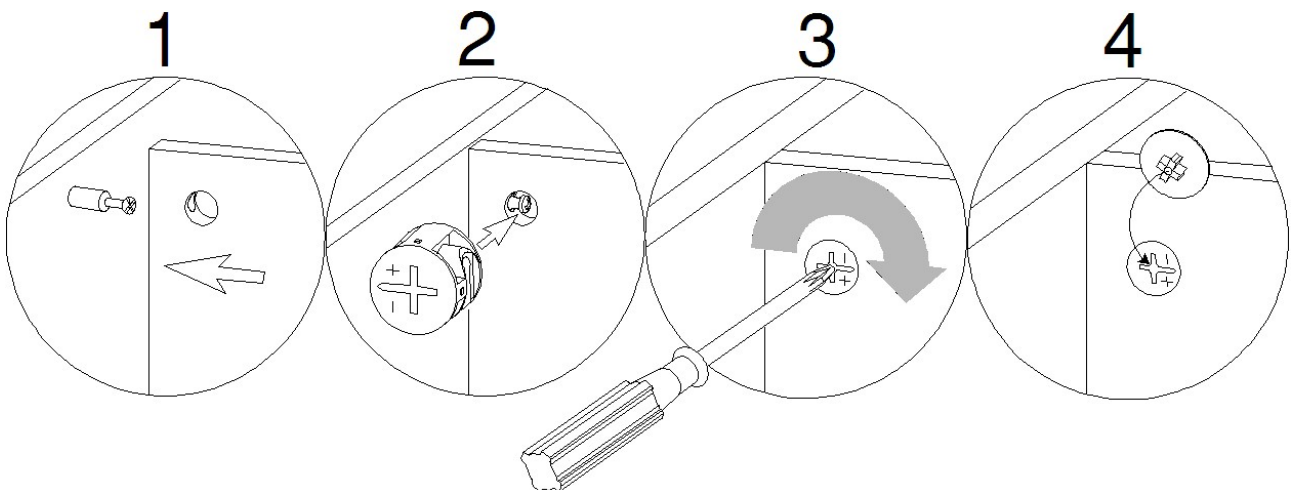
Before you begin: Open, identify and count all parts prior to assembly. Lay out parts on a flat and non-abrasive surface. You will need the parts identified on page 4 and 5 of this instruction manual.

NOTE: IT IS VERY IMPORTANT TO USE GLUE WITH THE DOWELS. EXCESS GLUE CAN BE WIPED OFF WITH A DAMP CLOTH.

Insert Dowel at least half way by tapping lightly with a rubber mallet (not included), IF NECESSARY.



CAM LOCK SYSTEM OPERATION



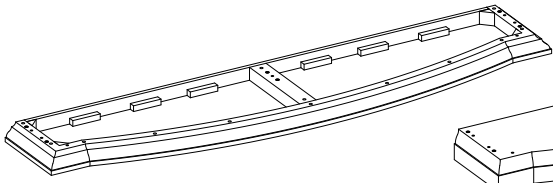
HOW THE KNOCK DOWN (KD) ASSEMBLY SYSTEM WORKS

1. Screw the Cam Bolt into the pre-drilled small holes on the panel. Connect both panels together; making sure the Cam Bolt goes into the pre-drilled hole at the end of the panel with the Cam Lock.
2. Insert the Cam Lock into the pre-drilled large hole in the panel. Make sure the arrow on the Cam Lock is pointed towards the Cam Bolt.
3. Once the Cam Bolt is connected inside the Cam Lock, take a Phillips screwdriver (not included) and tighten the Cam Lock clockwise.
4. Plug the Cam Lock Cover into the cross slot of the Cam Locks to conceal the cam.

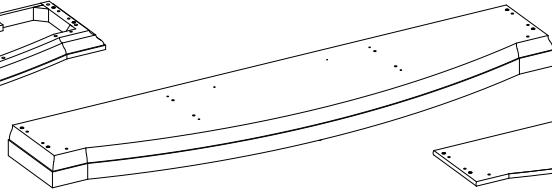
You are now ready to assemble the KD unit.

Parts and Hardware List

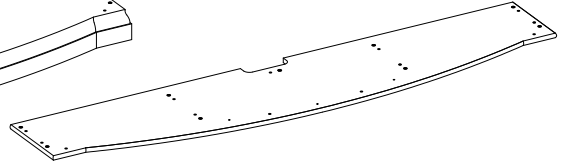
Please read completely through the instructions and verify that all listed parts and hardware are present before beginning assembly.



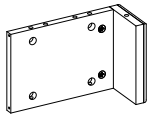
A- Top Panel (Qty. 1)



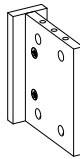
B- Base (Qty. 1)



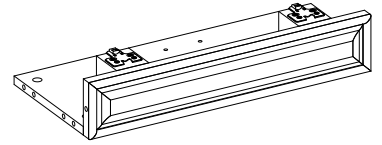
C- Center Shelf (Qty. 1)



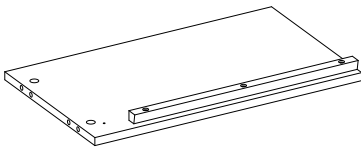
D- Upper Side Panel (Qty. 2)



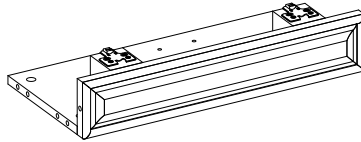
E- Upper Partition Panel (Qty. 1)



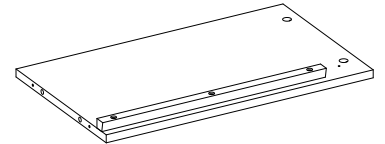
F- Lower Left Side Panel (Qty. 1)



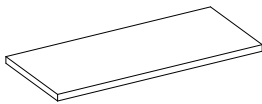
G- Lower Left Partition Panel (Qty. 1)



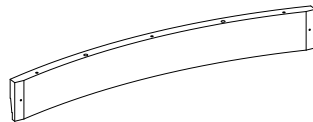
H- Lower Right Side Panel (Qty. 1)



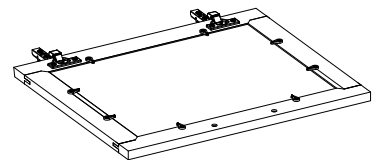
I- Lower Right Partition Panel (Qty. 1)



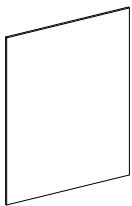
J- Adjustable Shelf (Qty. 2)



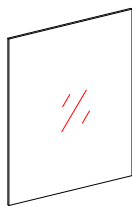
K- Middle Crossbar (Qty. 1)



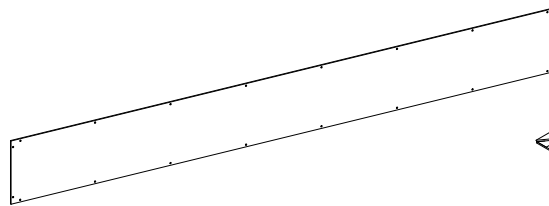
L- Door (Qty. 2)



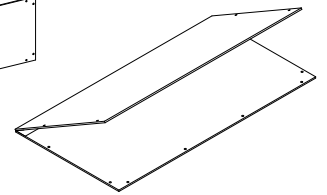
M- Wood Door Panel
(Pre-attached)
(Qty. 2)



N- Door Glass
(Qty. 2)



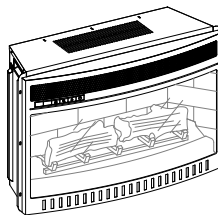
O- Upper Back Panel
(Qty. 1)



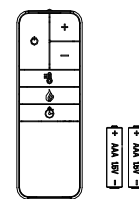
P- Lower Back Panel
(Qty. 2)



Q- Firebox Support (Qty. 1)



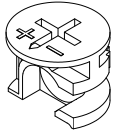
Fireplace Insert (Qty. 1)



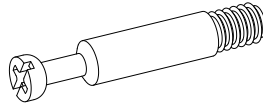
Remote Control with Battery (Qty. 1)

Parts and Hardware List

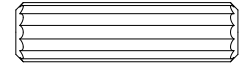
Please read completely through the instructions and verify that all listed parts and hardware are present before beginning assembly.



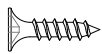
(1) Cam Lock
(Qty. 24+1 extra)



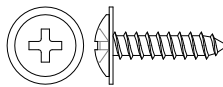
(2) Cam Bolt
(Qty. 24+1 extra)



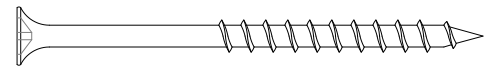
(3) 8 mm x 30 mm Wood Dowel
(Qty. 37+1 extra)



(4) M3.5 x 12 mm Flat Head Screw
(Qty. 12+1 extra)



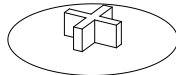
(5) M3.5 x 15 mm Washer Head Screw
(Qty. 46+2 extra)



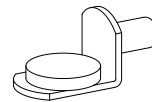
(6) M4 x 64 mm Screw
(Qty. 3+1 extra)



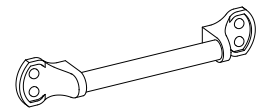
(7) Metal Bracket
(Qty. 2)



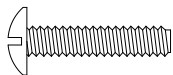
(8) Cam Lock Cover
(Qty. 36+1 extra)



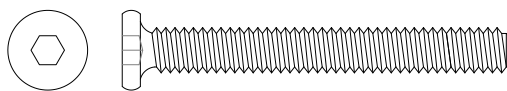
(9) Shelf Support
(Qty. 8+1 extra)



(10) Handle
(Qty. 2)



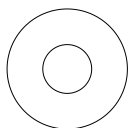
(11) Handle Bolt (Qty. 4)



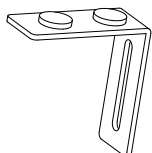
(12) 1/4" x 50 mm Bolt (Qty. 1)



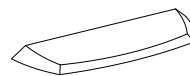
(13) Lock Washer (Qty. 1)



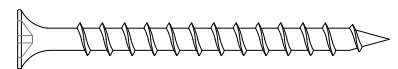
(14) Flat Washer
(Qty. 1)



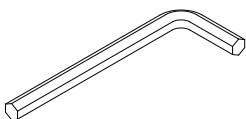
(15) L-Shaped Brace
(Qty. 2)



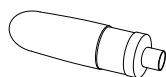
(16) Acrylic Stopper
(Qty. 1)



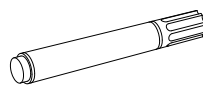
(17) M4 x 50 mm Screw
(Qty. 4+1 extra)



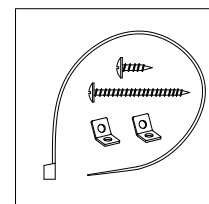
4 mm Hex Wrench (Qty.1)



Glue (Qty. 1)



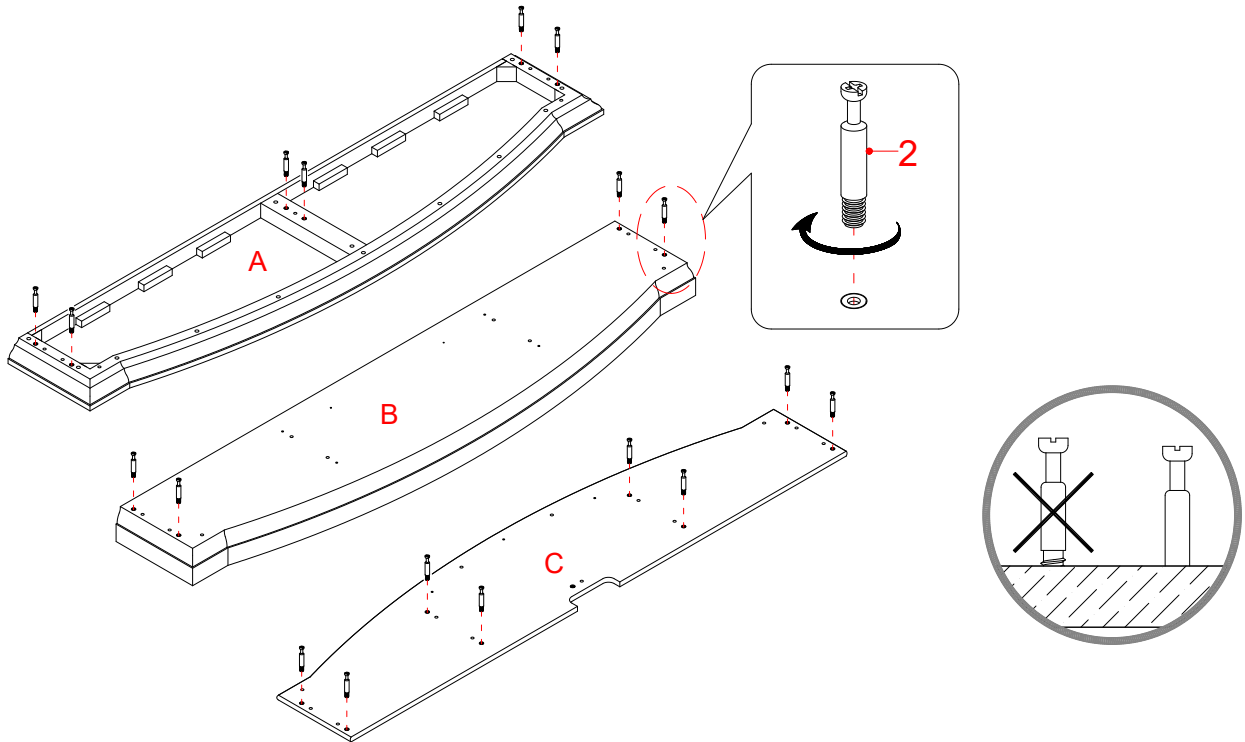
Touch-up Pen (Qty. 1)



Tipping Restraint Hardware Kit (Qty. 2)
(Included in plastic bag)

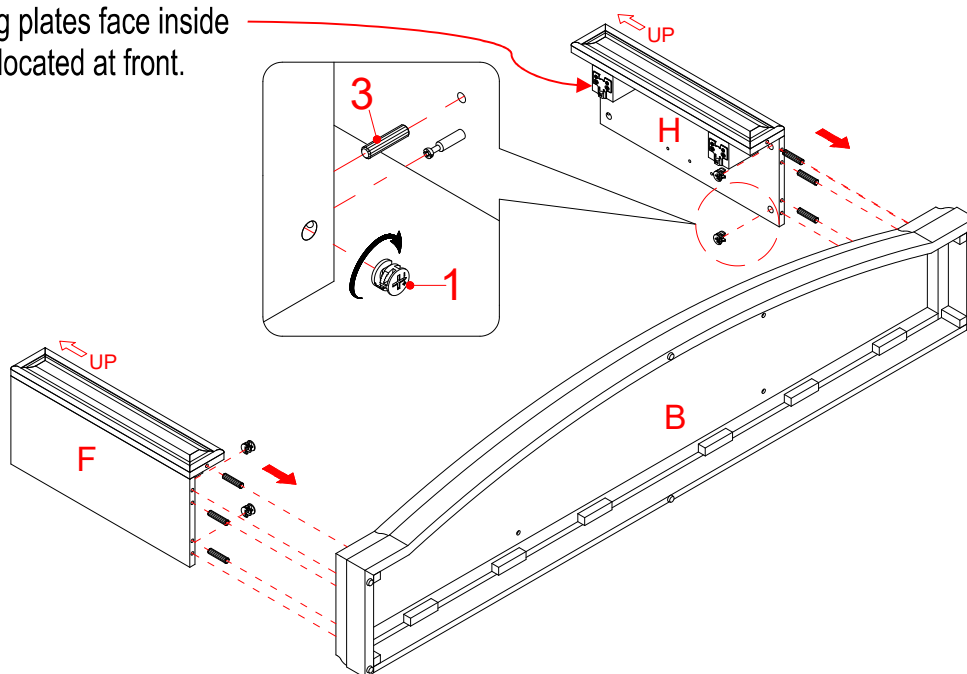
Tools required: Hex wrench (provided), Phillips screwdriver and hammer (not provided).

Assembly Instructions



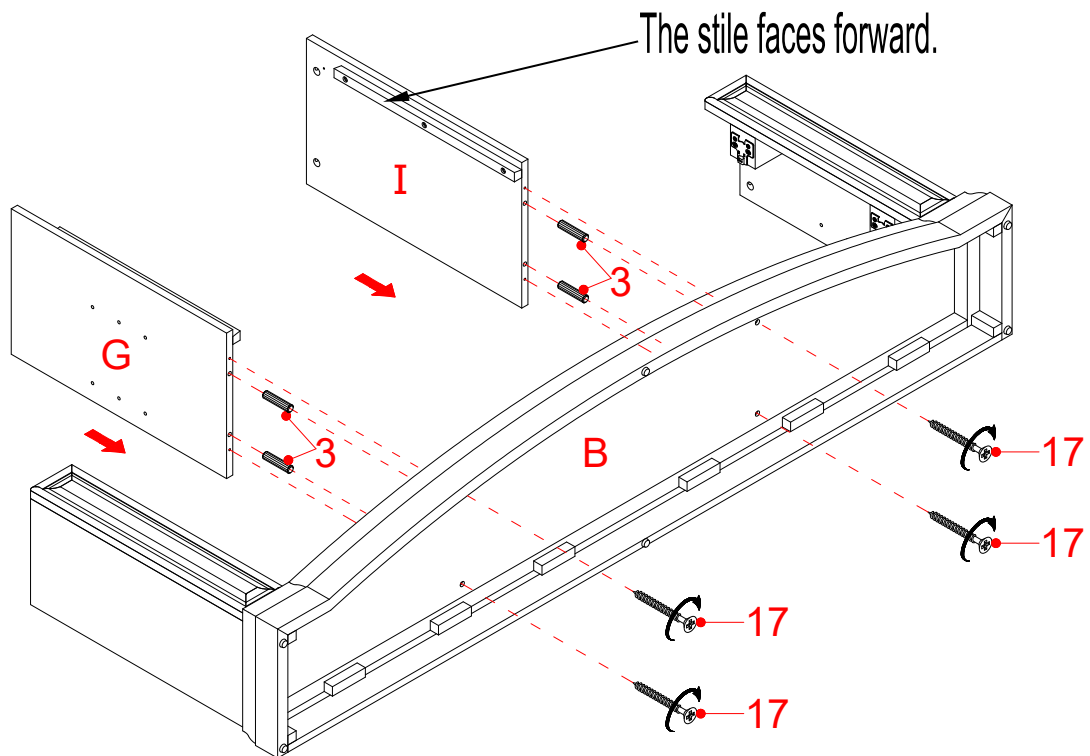
1. Unpack the unit and confirm that you have all the hardware and required parts. Assemble the unit on a carpeted floor or the empty carton to avoid any scratch.
2. Securely screw the Cam Bolts (2) into the designated plastic bushings on the Top Panel (A), the Base (B) and the Center Shelf (C) using a Phillips screwdriver.

The mounting plates face inside and are located at front.

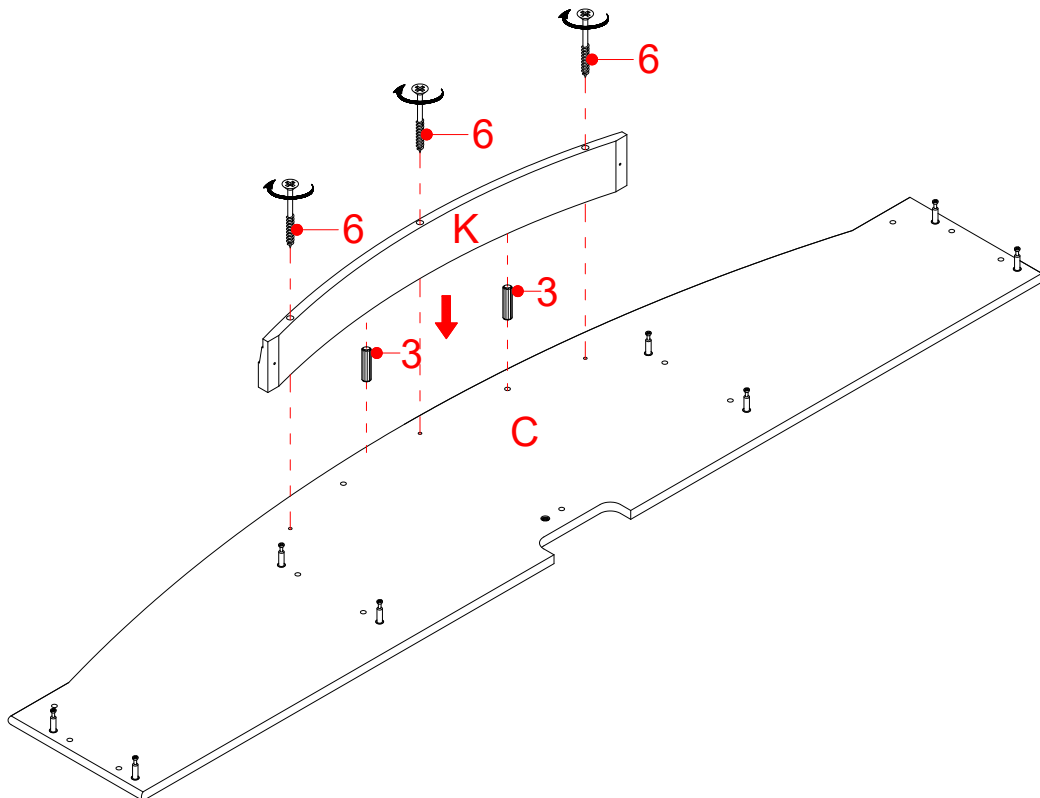


3. Insert six Wood Dowels (3) into the bottom inner holes on Lower Side Panels (F and H). Tap in with a rubber mallet, if necessary. Make sure that you use a small amount of glue with both ends of all dowels.
4. Align the drilled holes on the Base (B) with the inserted Wood Dowels (3) on the Lower Side Panels (F and H), and then press them together. Attach the Lower Side Panels (F and H) in place by engaging four Cam Locks (1) (Refer to page 3 on cam lock system operation supplement).

Assembly Instructions

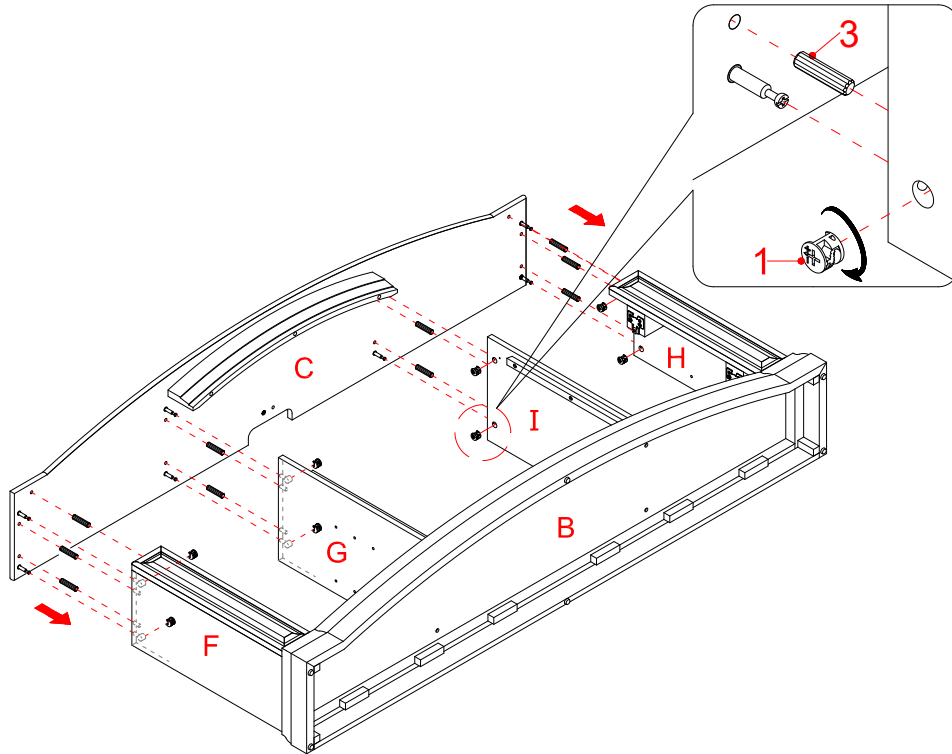


5. Glue four Wood Dowels (3) into the bottom inner holes on the Lower Partition Panels (G and I) and attach them to the Base (B) with four 50 mm Screws (17) using a Phillips screwdriver.

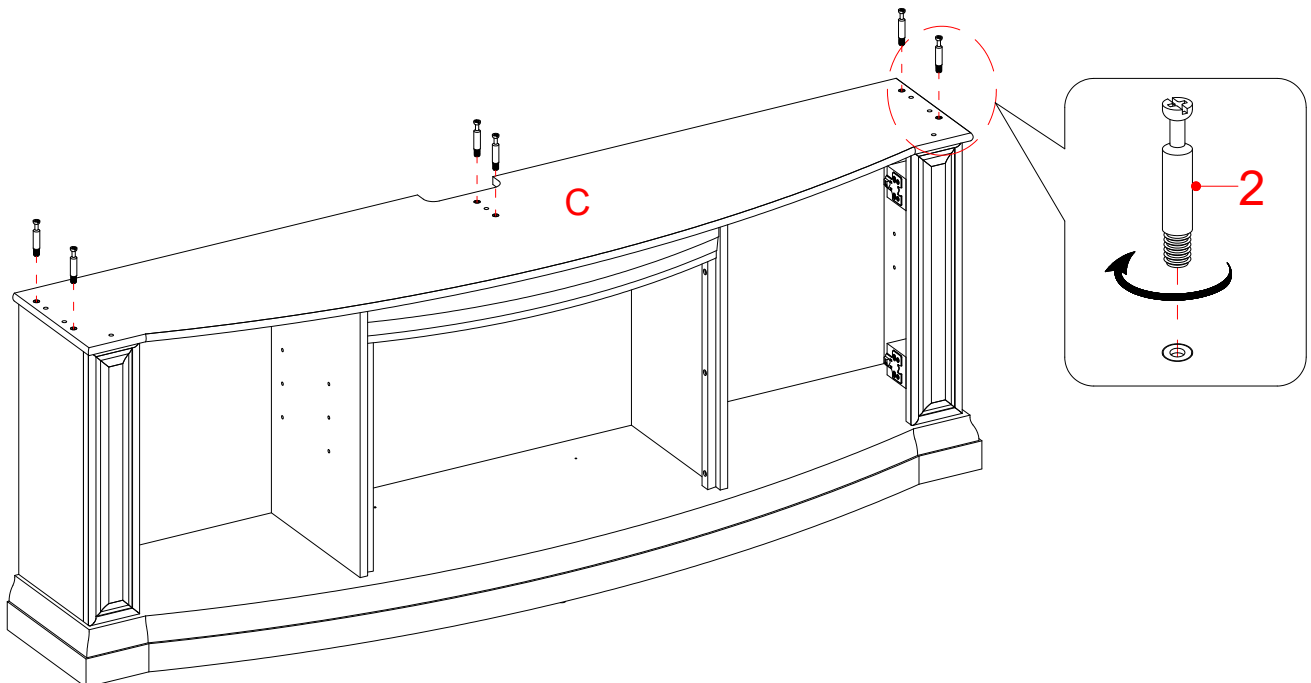


6. Glue two Wood Dowels (3) into the inner holes of the Middle Crossbar (K) and attach it to the Center Shelf (C) with three 63 mm Screws (6).

Assembly Instructions

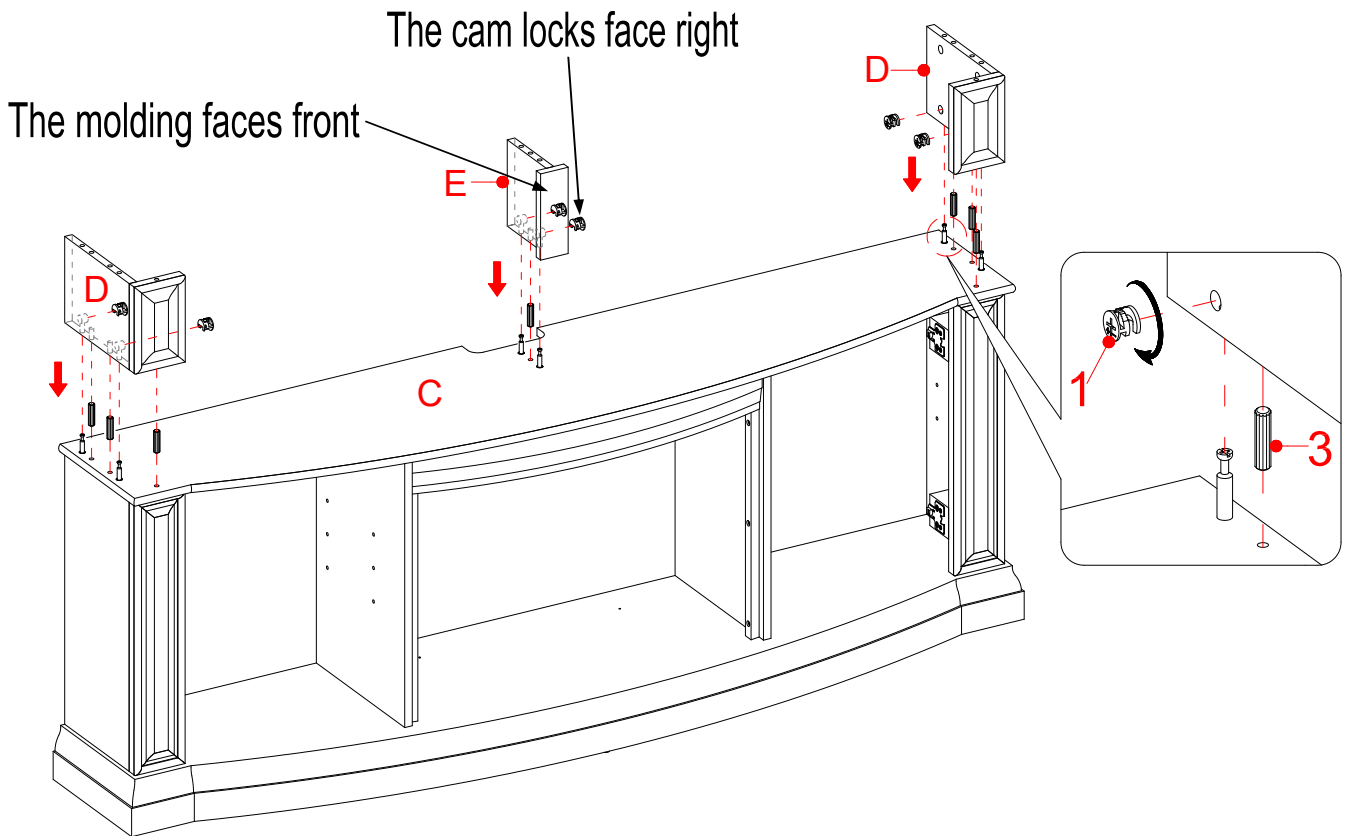


7. Attach the previous assembly (C and K) to the Lower Side Panels (F and H) and Partition Panels (G and I) with ten Wood Dowels (3) and eight Cam Locks (1).

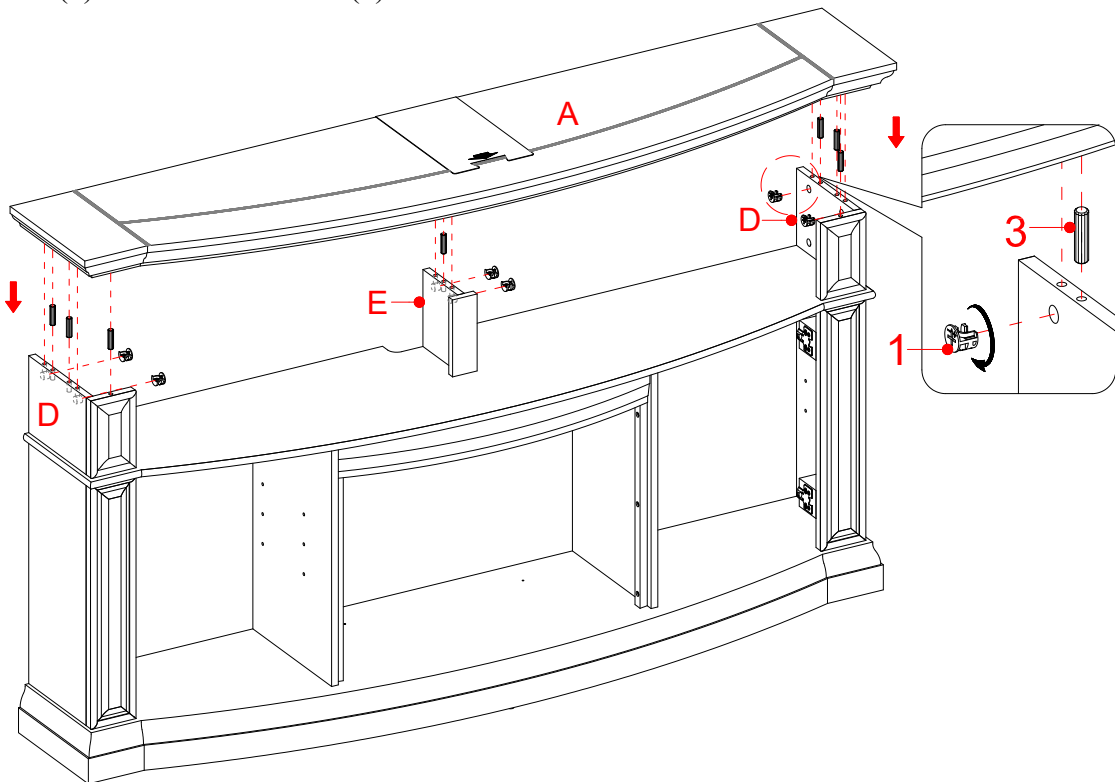


8. Ask for assistance to stand the unit upright.
9. Securely screw six Cam Bolts (2) into the plastic bushings on Center Shelf (C).

Assembly Instructions

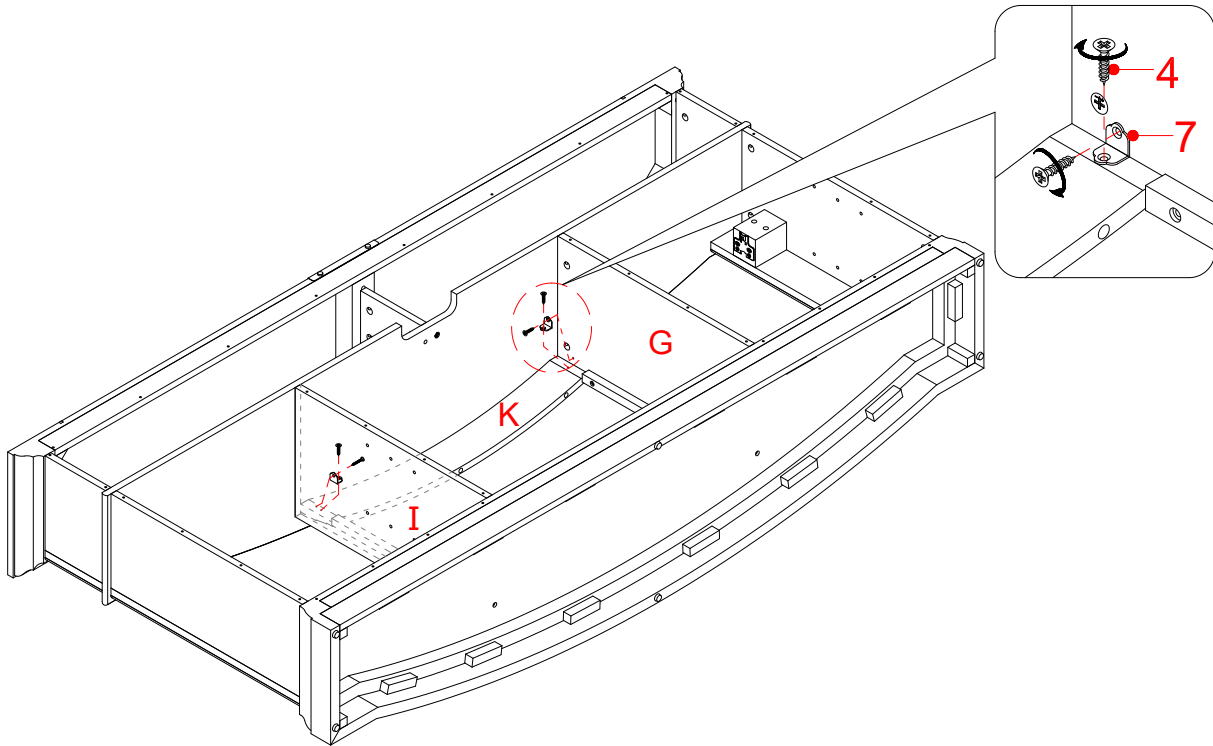


10. Attach the Upper Side Panels (D) and Partition Panel (E) to the Center Shelf (C) with seven Wood Dowels (3) and six Cam Locks (1).

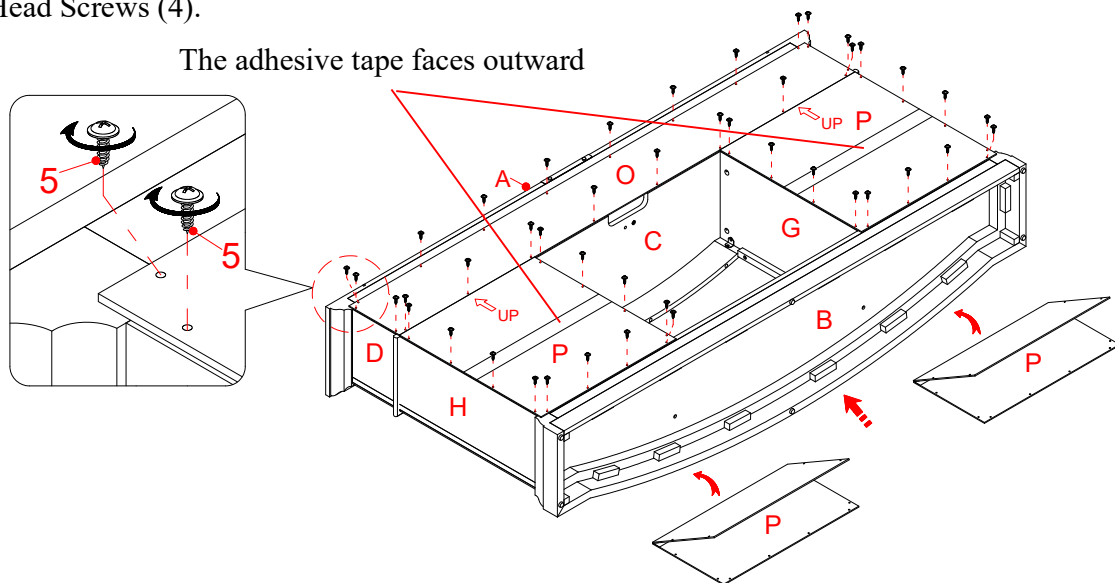


11. Attach Top Panel (A) to the Upper Side Panels (D) and Partition Panel (E) with seven Wood Dowels (3) and six Cam Locks (1).

Assembly Instructions



12. Ask for assistance to lay down the assembled unit at its front edges. Attach two Metal Brackets (7) at the joints where the Middle Crossbar (K) meets the Lower Partition Panels (I and G) with four 12 mm Flat Head Screws (4).

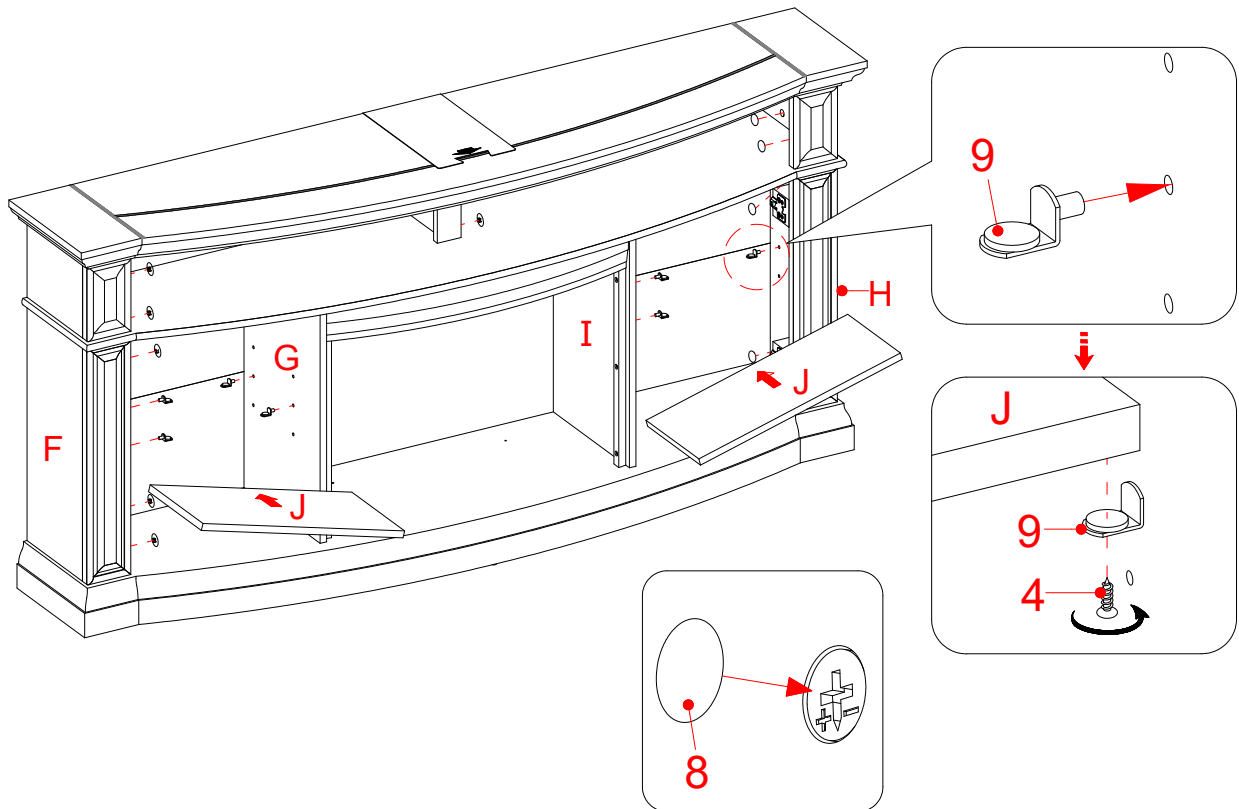


13. Now, go back and securely tighten all the Cam Locks and the Screws. Make sure that all the parts are tight and there are no gaps between the parts. This will help keep the unit square.
14. Pick up the Upper Back Panel (O) and align the drilled holes with pilot holes on the back stretcher of the Top Panel (A). Secure it in place with the provided Washer Head Screws (5).

NOTE: We recommend attaching back panel with the screws at the corners first.

15. Unfold the Lower Back Panels (P) and lay them to the back edges of the assembled unit with the adhesive tape facing up. Make sure that the overlaps on the panels are even all the way around. Using the pilot holes on the mantel as a guide, attach the Back Panels (P) in place with the 15 mm Washer Head Screws (5).

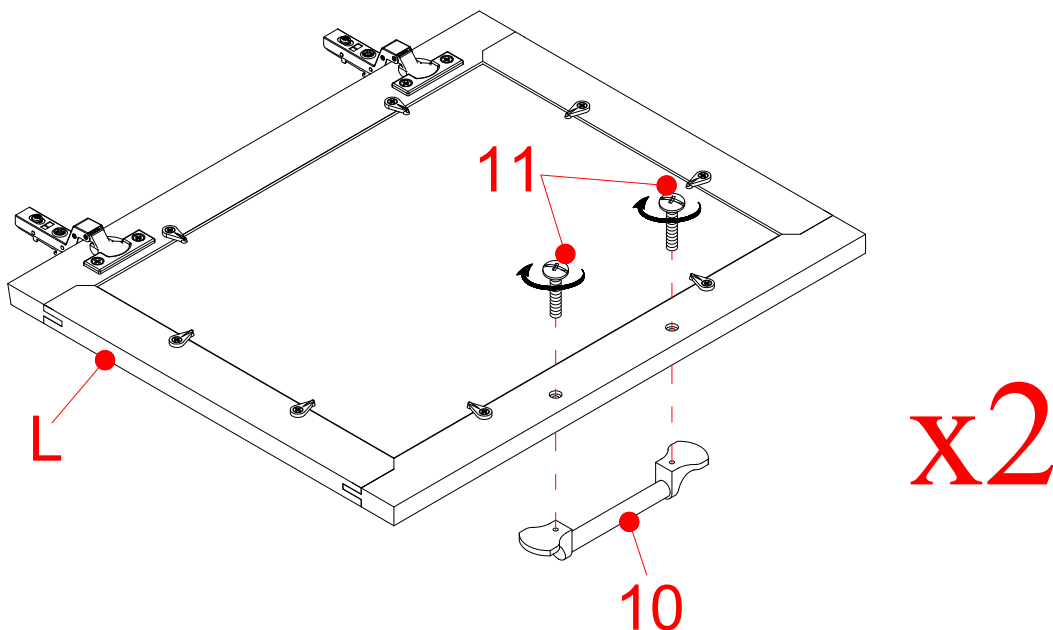
Assembly Instructions



16. Ask for assistance to stand the assembled unit upright.

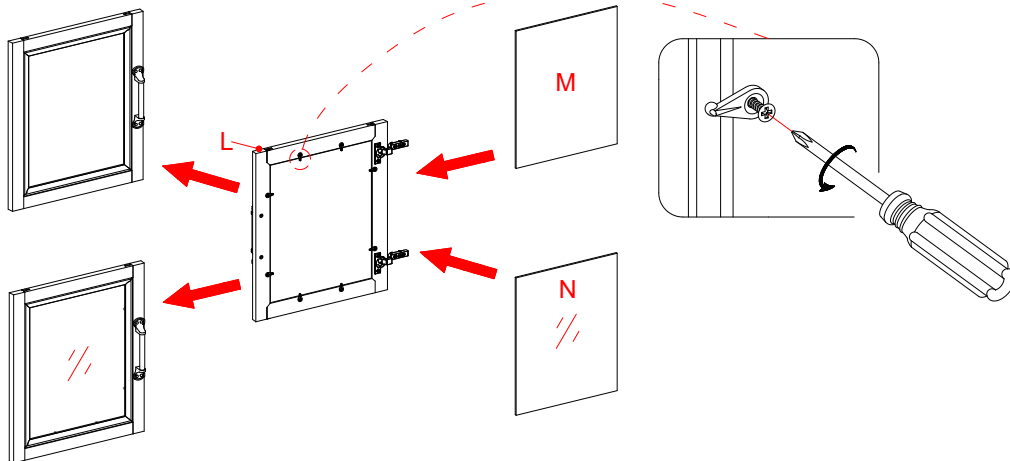
17. Insert the Shelf Supports (9) into the desired holes in the sides of the side compartments. Make sure you place the four Shelf Supports (9) in the same level so the shelf is not tilted. Tilt and rest the Adjustable Shelves (J) onto the Shelf Supports (9) and secure the Adjustable Shelves (J) into place with 12 mm Flat Head Screws (4).

18. Plug the Cam Lock Covers (8) onto the visible Cam Locks to conceal the cams.



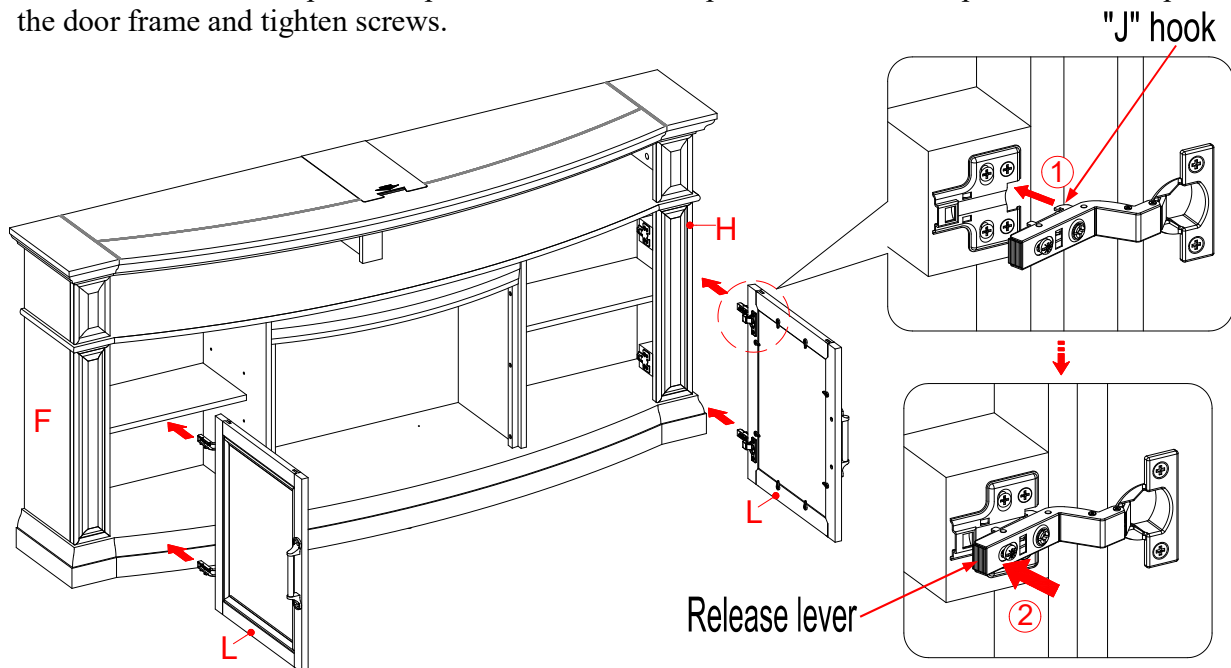
19. Attach the Handle (10) to the front of each Door (L) with two Handle Bolts (11).

Assembly Instructions



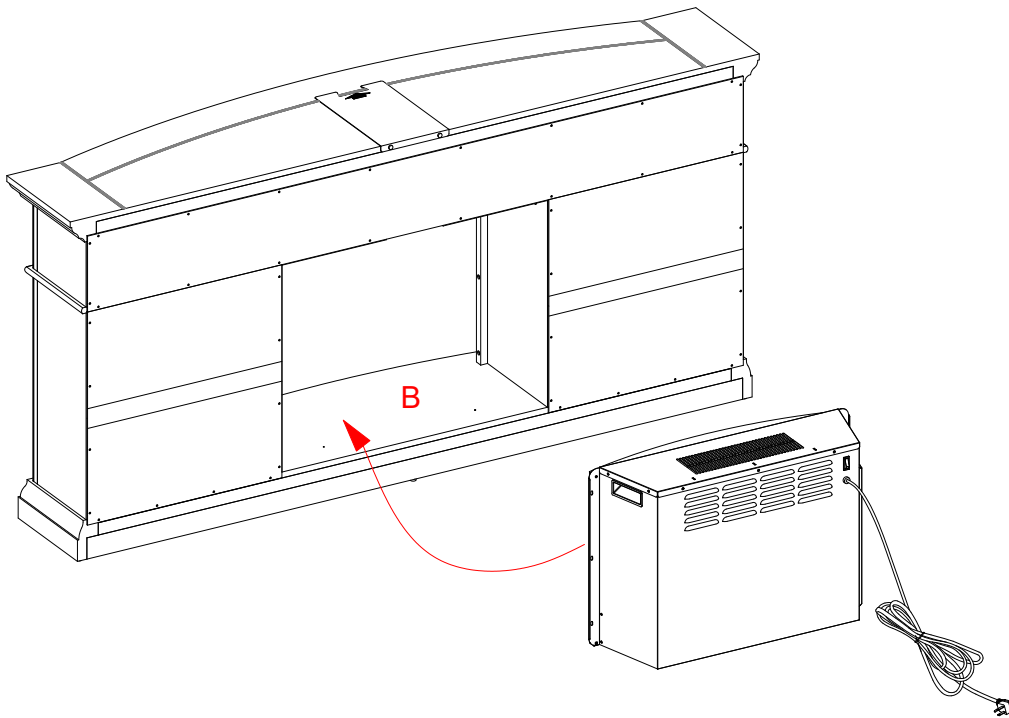
NOTE: The doors are shipped with Wood Door Panels (M). You can keep the doors as they are or interchange with the Door Glass Inserts (N) depending on your configuration.

20. To change the configuration, loosen the screws on the inside of Door Panels (L) and rotate the clips to remove the door insert panel. Replace with the desired panel, then rotate clips to secure the panel within the door frame and tighten screws.

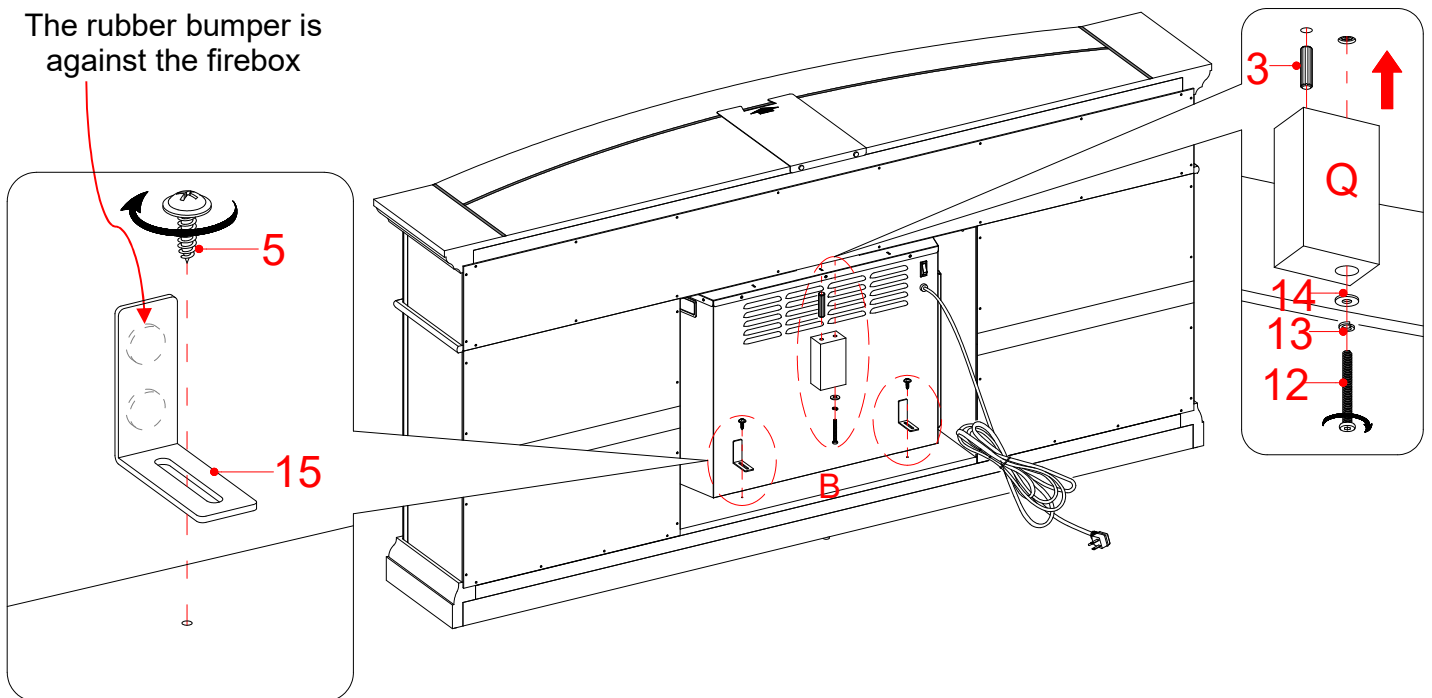


21. Pick up one Door (L) and attach it to Left Lower Side Panel (F) by engaging both door hinges together. Please follow the steps below to combine the door hinges together.
- a). Extend both hinge arms of the Door (L) to open position, if needed.
 - b). Locate the lugs on the mounting plates pre-attached on the Left Side Panel (F) into the “J” hooks beneath the hinge arms.
 - c) Press lightly on the end of both hinge arms to engage the catch.
 - d) To remove the hinge arms from the mounting plates, press gently in the release lever on the back of hinge arms.
22. Repeat the same procedure to install the other Door (L) to the Right Lower Side Panel (H).
23. Open and close the doors to make sure they are aligned and shut correctly. If necessary, adjust the screws for a good fit. Refer to the hinge sticker on door for adjustment.

Assembly Instructions



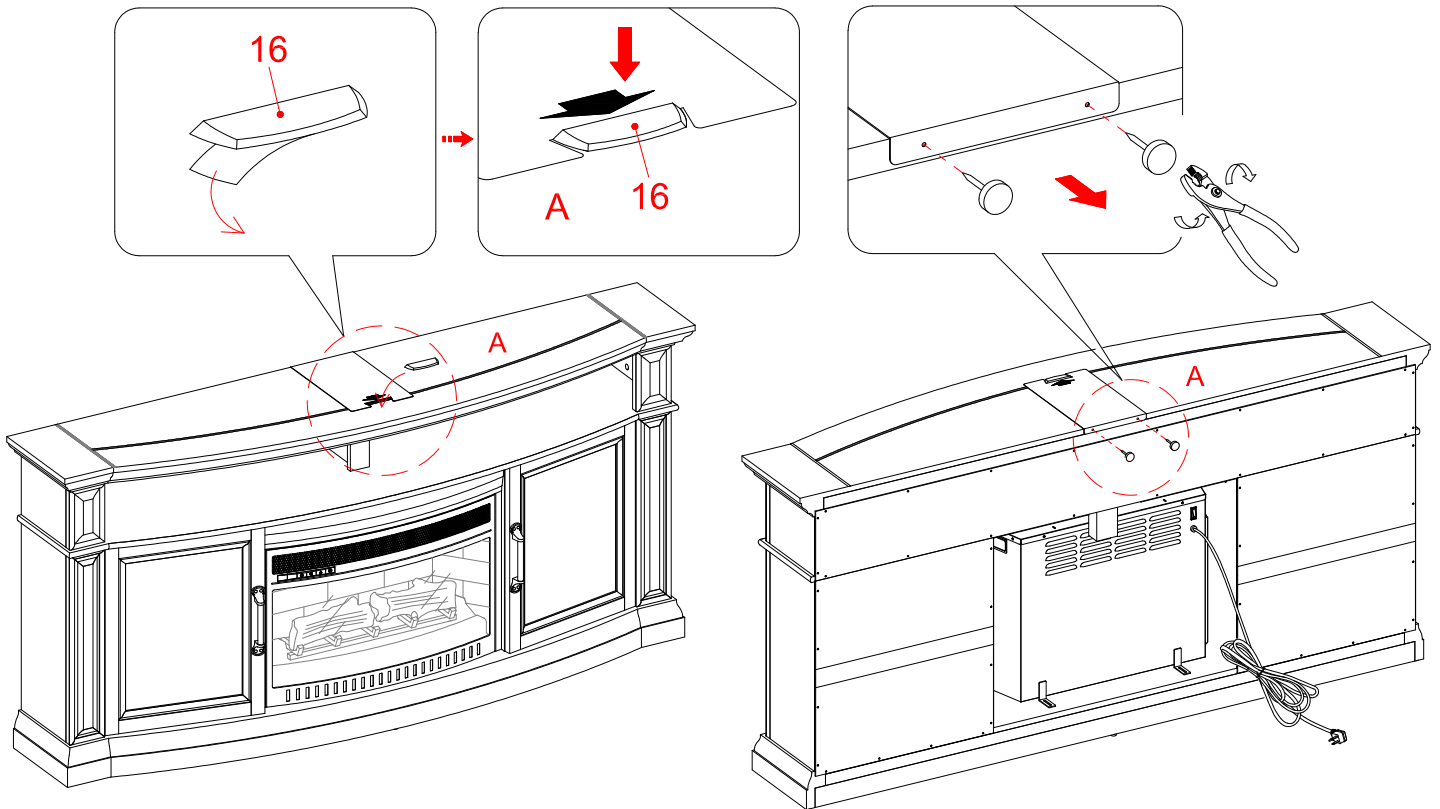
24. Lift the fireplace insert carefully into the back of the assembled mantel and center it in the opening. DO NOT drag the insert across the Base (B) as it may scratch the unit.



25. Using the pilot holes as a guide, align and attach two L-shaped Metal Braces (15) to the Base (B) by screwing one Washer Head Screw (5) in each.

26. Attach the Firebox Support (Q) to the bottom of the Center Shelf (C) with one Wood Dowel (3), one 50 mm Bolt (12), one Lock Washer (13) and one Flat Washer (14). Tighten the bolt with the provided hex wrench.

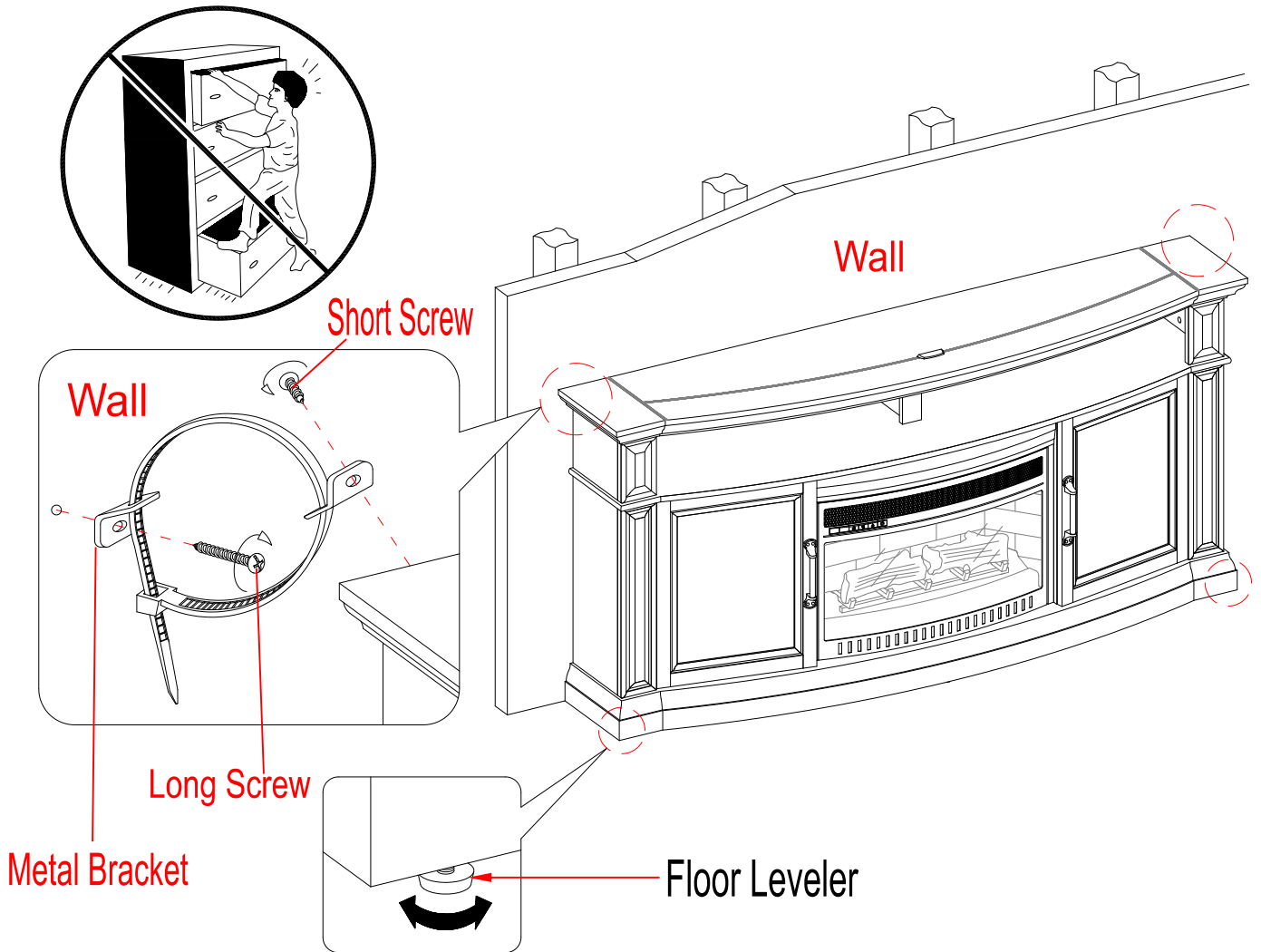
Assembly Instructions



NOTE: To prevent your TV from tipping, you must follow these instructions if you place a TV on top of your console. Otherwise, skip to “Step 28”.

27. Remove the paper backing from the Acrylic Stopper (16), then properly align the Acrylic Stopper into the cut-out on the acrylic stopper template on the Top Panel (A). Press down on the acrylic stopper to help adhesion.
28. At the back of Top Panel (A), grip the head of plastic tack with pliers, with twisting motion pull tack loose to remove the acrylic stopper template.

Assembly Instructions



Tools required: Phillips screwdriver, stud finder, power drill and 1/8" drill bit.

29. Position the console at the desired location against a wall. If necessary, adjust the pre-attached floor levelers to correct tilting and/or level the doors.

30. Follow the instructions printed on the plastic bag containing the tipping restraint hardware to attach the tip-over restraints to the unit and the wall.

NOTE: The tipping restraint hardware included is for wooden stud wall construction. It must be attached to a wall stud. Depending upon your wall construction, different anchor hardware may be required. Please contact your local hardware store for assistance. Young children can be seriously injured by tipping furniture. You must install the Tipping Restraint Hardware with the unit to prevent the unit from tipping, causing any accidents or damage. The tipping restraints are intended only as a deterrent, they are not a substitute for proper adult supervision. The tipping restraints are not earthquake restraints. If you wish to add the extra security of earthquake restraints, they must be purchased and installed separately.

31. The console is now ready for use. Connect the fireplace to the power transformer. Follow the operating manual for the electric fireplace insert to control your fireplace.

Care and Maintenance

- Use a soft, clean cloth that will not scratch the surface when dusting.
- Use of furniture polishes is not necessary. Should you choose to use polishes, test first in an inconspicuous area.
- Using solvents of any kind on your furniture may damage the finish.
- Never use water to clean your furniture as it may cause damage to the finish.
- Always use coasters under beverage glasses and flowerpots.
- Liquid spills should be removed immediately. Using a soft, clean cloth, blot the spill gently. Avoid rubbing.
- Always use protective pads under hot dishes and plates. Heat can cause chemical changes that may create spotting within the furniture finish.
- In the event that your furniture is stained or otherwise damaged during use, we recommend that you call a professional to repair your furniture.
- Check bolts/screws periodically and tighten them if necessary.

Further Advice about Wood Furniture Care

It is best to keep your furniture in a climate-controlled environment. Extreme temperature and humidity changes can cause fading, warping, shrinking and splitting of wood. It is advised to keep furniture away from direct sunlight as sun may damage the finish.

Proper care and cleaning at home will extend the life of your purchase. Following these important and helpful tips will enhance your furniture as it ages.

Cleaning Trim for Fireplace

Clean the metal trim using a soft cloth, slightly dampened with citrus oil based product and buff with a clean soft cloth. DO NOT use brass polish or household cleaners as these products will damage the metal trim. Citrus oil based products can be obtained at supermarkets or hardware stores.

A touch-up pen has been provided to minimize the small nicks or scratches that may occur during assembly or shipping.

We hope you enjoy your purchase for many years.
Thank you for your purchase!

QUALITY GUARANTEE

We are confident that you will be delighted with your Whalen Furniture purchase.

Should this product be defective in workmanship or materials or fail under normal use, we will repair or replace it for up to one (1) year from date of purchase. Every Whalen Furniture product is designed to meet your highest expectations. We guarantee that you will immediately see the value of our fine furniture.

This warranty gives you specific legal rights and you may also have other rights which vary from State to State.

Customer Service: 1-866-942-5362
8:30 a.m. - 4:30 p.m., PST, Monday to Friday
www.whalenfurniture.com