



LOT NUMBER: _____

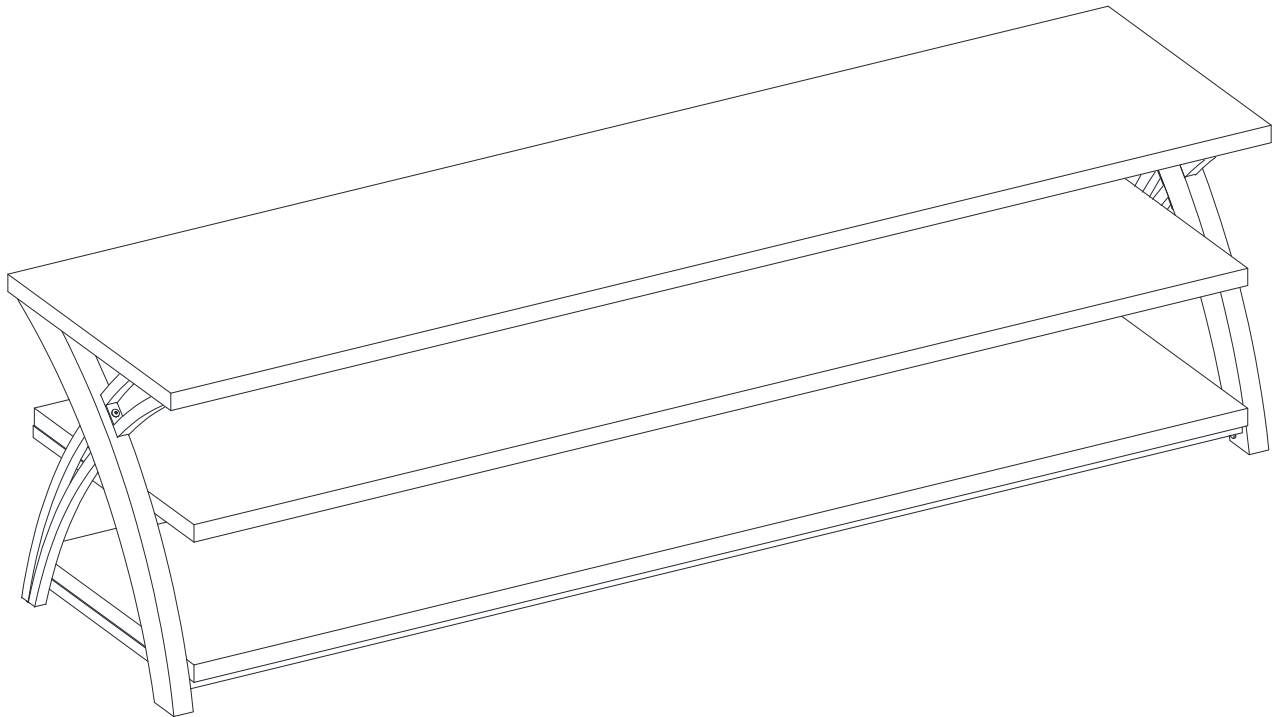
DATE PURCHASED: __/__/__

78" TV Stand

Model # AVC78H-13AX

AVC78H-13AXGR

CN Patent CN200920267469.6



ADULT ASSEMBLY REQUIRED

If you have any questions regarding assembly or if parts are missing, DO NOT return this item to the store where it was purchased. Please call our customer service number and have your instructions and parts list ready to provide the model name, part name or factory number:

1-866-942-5362

Pacific Standard Time: 8:30 a.m. - 4:30 p.m., Monday - Friday

Or visit our web site 24 hours a day, 7 days a week for product assistance at

www.whalenfurniture.com

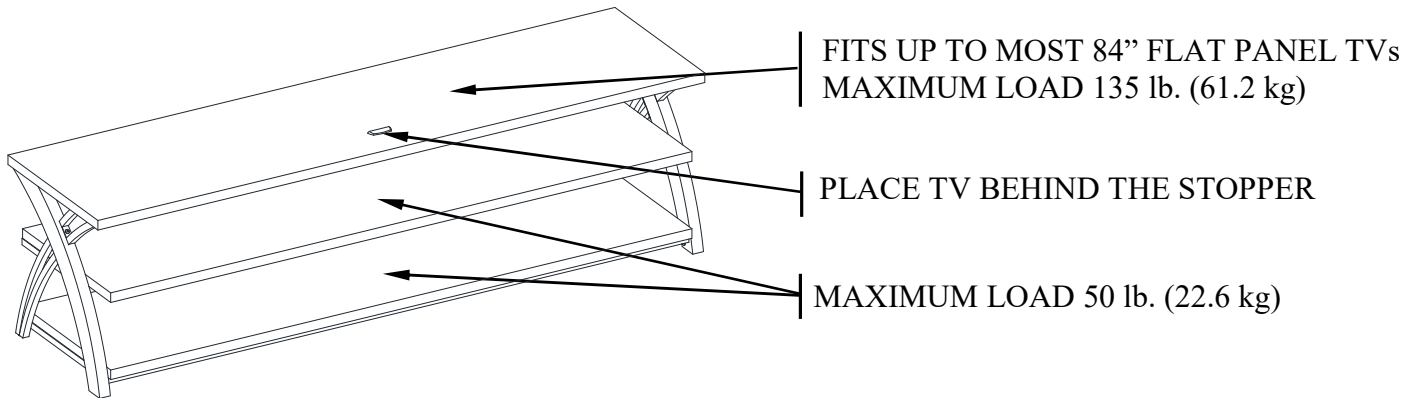
Or e-mail your request to **parts@whalenfurniture.com**

**THIS INSTRUCTION BOOKLET CONTAINS IMPORTANT SAFETY INFORMATION.
PLEASE READ AND KEEP FOR FUTURE REFERENCE.**

Date 2018-07-27 Rev. 0001-A Factory: DONAFU

MAXIMUM RECOMMENDED WEIGHT LOADS

MANUFACTURER: Whalen Furniture Manufacturing
CATALOG: 78" TV Stand
MODEL # AVC78H-13AX / AVC78H-13AXGR
MADE IN CHINA



WARNING

THIS UNIT IS NOT INTENDED FOR USE WITH CRT TVS. USE ONLY WITH FLAT PANEL TVS AND AUDIO/VIDEO EQUIPMENT MEETING RECOMMENDED SIZE AND WEIGHT LIMITS. NEVER USE WITH LARGER/HEAVIER THAN RECOMMENDED FLAT PANEL TVS OR EQUIPMENT. TO AVOID INSTABILITY, PLACE FLAT PANEL TV IN THE CENTER OF THE UNIT; THE BASE OF THE TELEVISION MUST BE ABLE TO REST ON THE SUPPORTING SURFACE OF THE UNIT WITHOUT OVER-HANGING THE EDGES. IMPROPERLY POSITIONED FLAT PANEL TVS, OR FLAT PANEL TVS INCLUDING OTHER EQUIPMENT THAT EXCEED RECOMMENDED SIZE AND WEIGHT LIMITS COULD FALL OFF OR BREAK THE UNIT, CAUSING POSSIBLE SERIOUS INJURY.

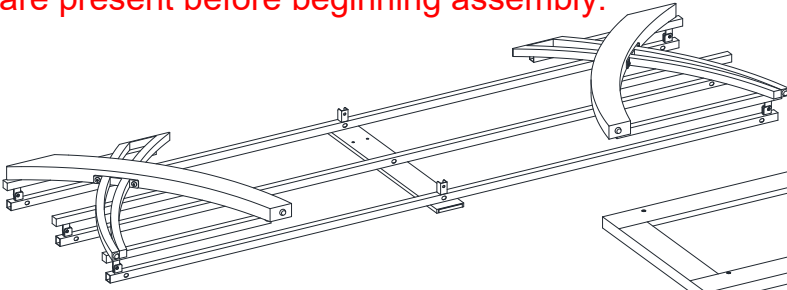
GENERAL INFORMATION, TIPS AND TRICKS

1. Please read the Assembly Instructions prior to assembling this product.
2. Remove all hardware from box and sort by size.
3. Check to see that all hardware and parts are present BEFORE assembling.
4. Ask a friend to assist you with the assembly of this furniture.
5. To avoid damage, assemble the product on a sturdy, level and protective surface.
6. Please wait until all steps are completed before tightening bolts.
7. Make sure all bolts are tightly fastened before the unit is used.

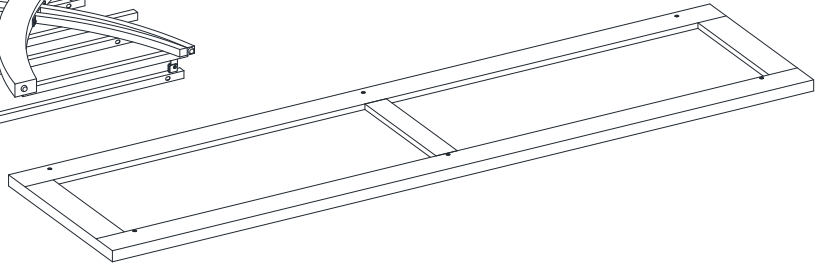
This product is sold with one set of Tip Restraint Hardware kit. You must install the Tipping Restraint Hardware between the wall and the TV stand to prevent any accidents or damages. When properly installed, this restraint can provide protection against the unexpected tipping of the unit due to small tremors, bumps or climbing. The restraint is only a deterrent and is not a substitute for proper adult supervision. Use of tip-over restraints may only reduce, but not eliminate, the risk of tip-over.

Parts and Hardware List

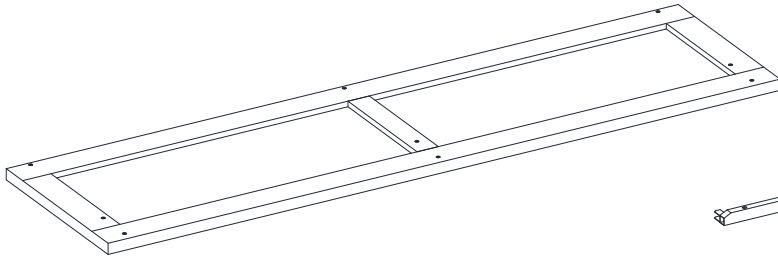
Please read completely through the instructions and verify that all listed parts and hardware are present before beginning assembly.



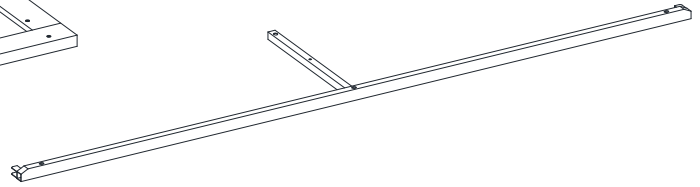
A- Spine and Legs Assembly (Qty. 1)



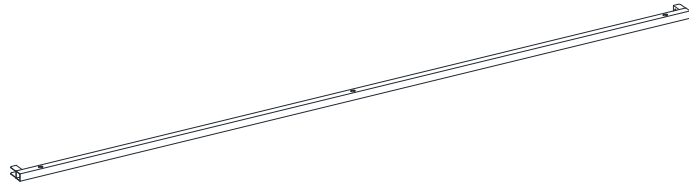
B- Top Panel (Qty. 1)



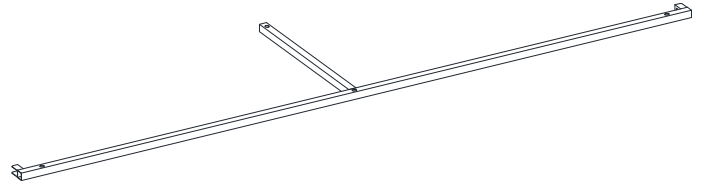
C- Lower Shelf (Qty. 2)



D- Top Shelf Frame Front Assembly (Qty. 1)



E- Middle Shelf Frame Front Stretcher (Qty. 1)



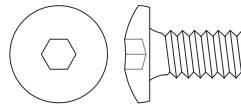
F- Bottom Shelf Frame Front Assembly (Qty. 1)



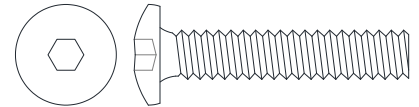
G- Top Shelf Support (Qty. 1)



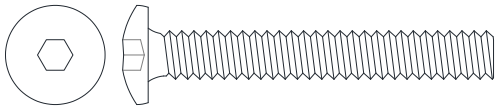
H- Cable Wheel (Qty. 2)



(1) 1/4" x 1/2" Bolt (Qty. 15+1 extra)



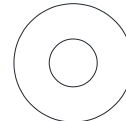
(2) 1/4" x 1 1/4" Bolt (Qty. 15+1 extra)



(3) 1/4" x 1 3/4" Bolt (Qty. 3+1 extra)



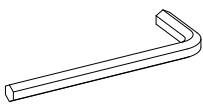
(4) Lock Washer (Qty. 21+1 extra)



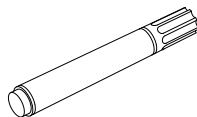
(5) Flat Washer (Qty. 21+1 extra)



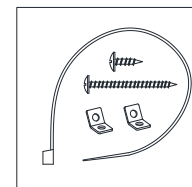
(6) Acrylic Stopper (Qty. 1)



Hex Wrench (Qty. 2)



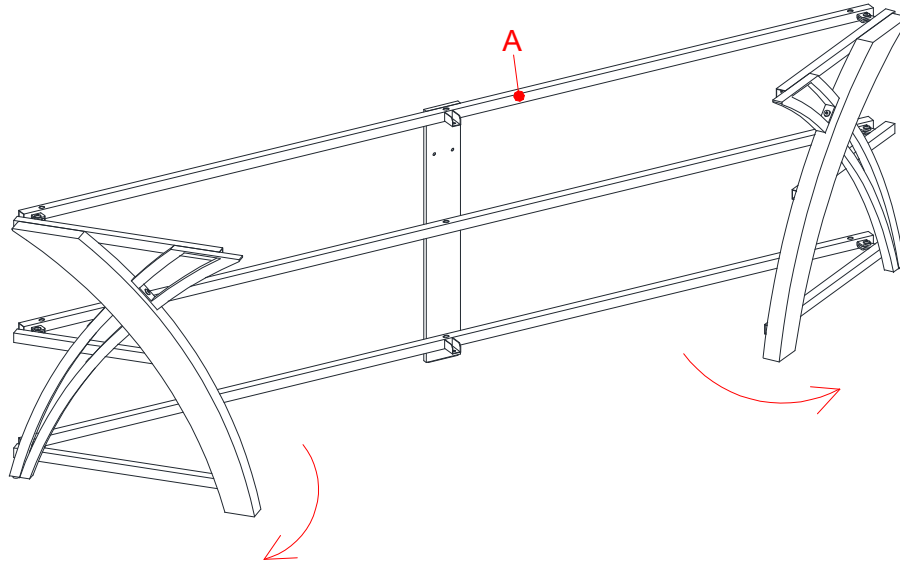
Touch-up Pen (Qty. 1)



Tipping Restraint Hardware Kit (Qty. 1)
(Included in plastic bag)

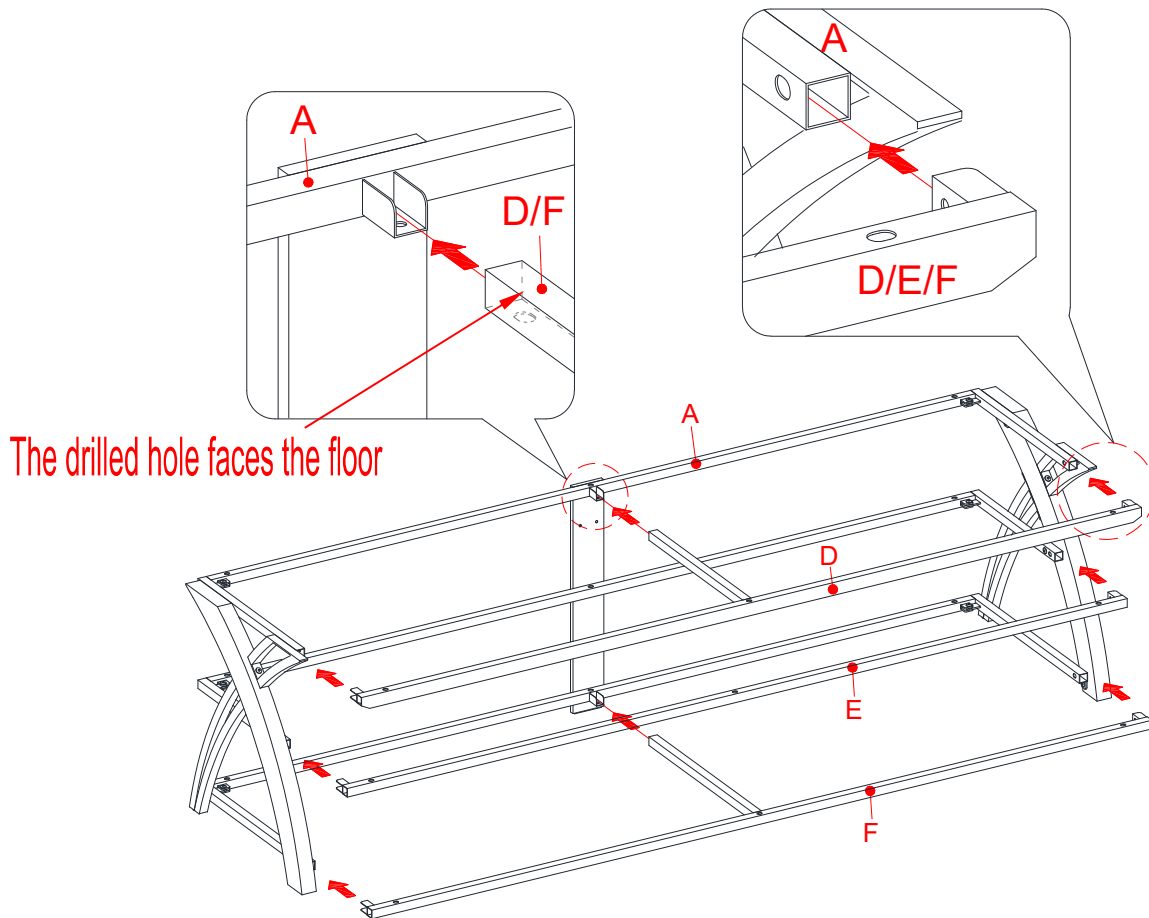
Tools required: Hex wrench (provided) and Phillips screwdriver (not provided).

Assembly Instructions



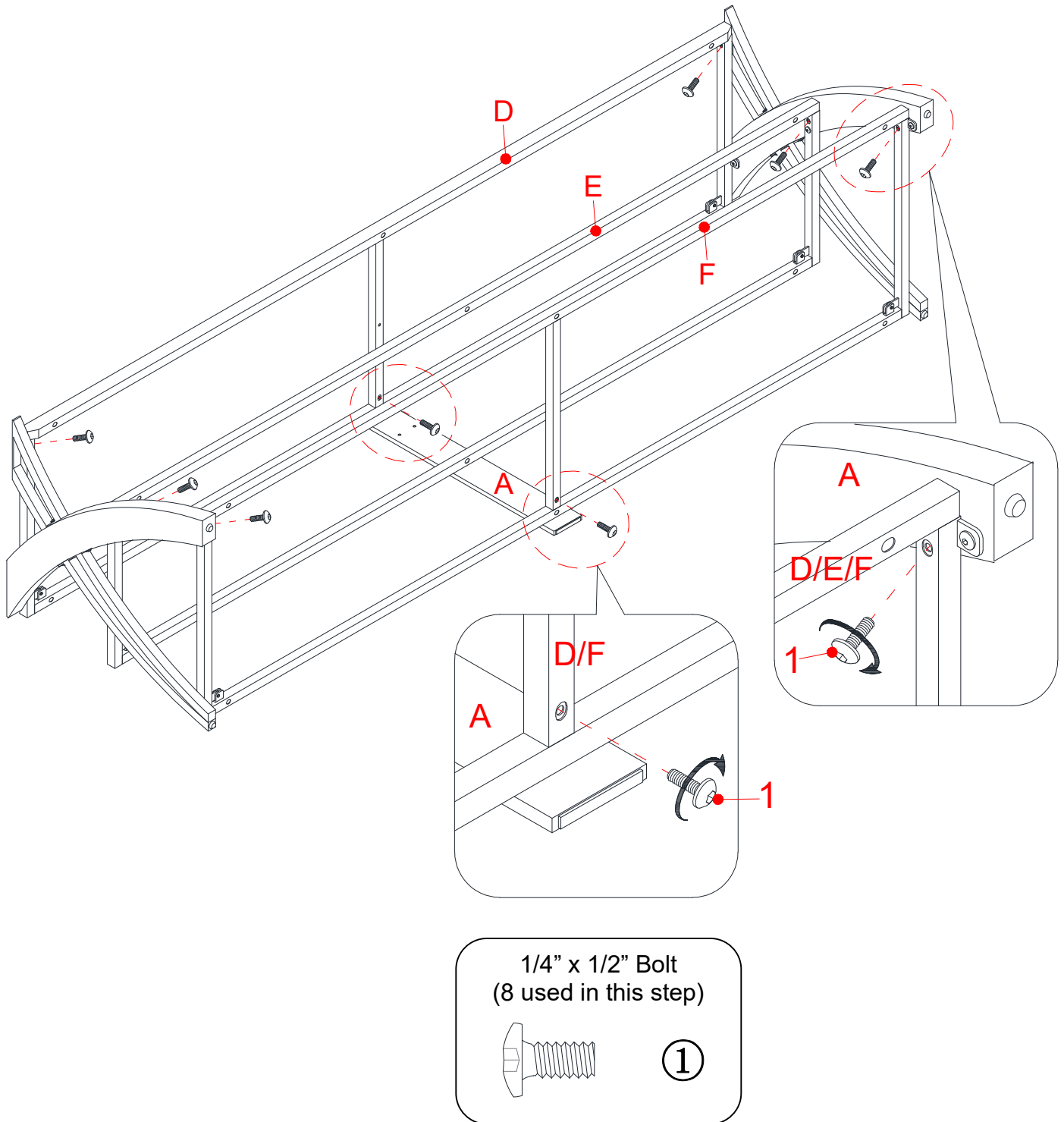
NOTE: Please do not fully tighten all bolts until you finish assembling all parts. Once assembled, go back and fully tighten all bolts. This will make the assembly easier.

1. Unpack the unit and confirm that you have all the hardware and required parts.
2. Hold the Spine and Legs Assembly (A) upright and simply swing the legs outward.



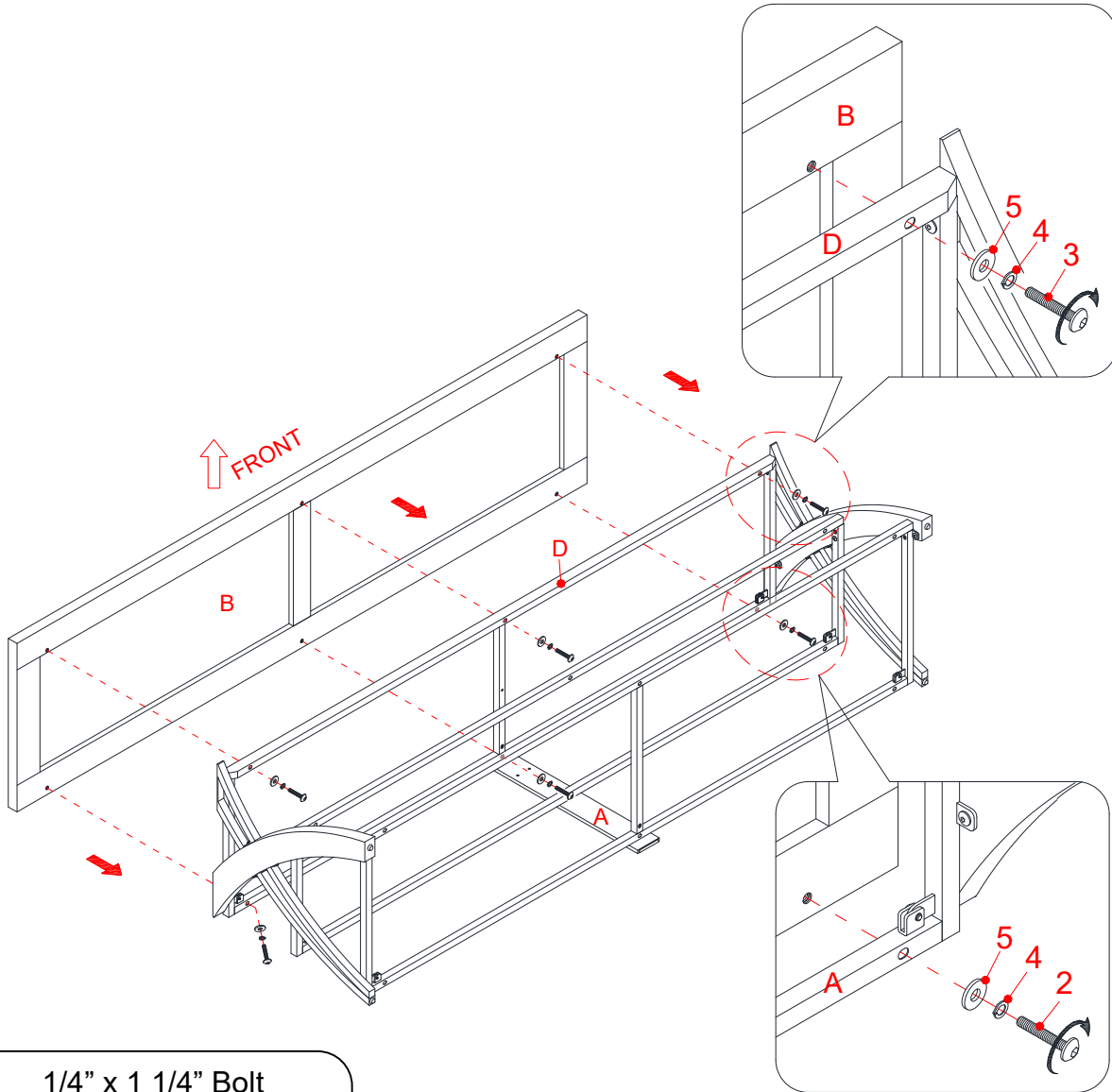
3. Attach the Top and Bottom Shelf Frame Front Assemblies (D and F) to the side and back rails of the Spine and Legs Assembly (A) respectively. Make sure that the drilled hole on the center support faces downward.
4. Fit the Middle Shelf Frame Front Stretcher (E) to the middle shelf side rails.

Assembly Instructions

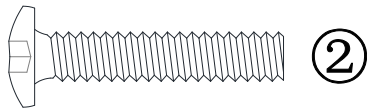


5. Turn the unit at its back edge.
6. Fasten the Top and Bottom Shelf Frame Front Assemblies (D and F) and the Middle Shelf Frame Front Stretcher (E) in place with eight 1/2" Bolts (1). **DO NOT** fully tighten the bolts in this step.

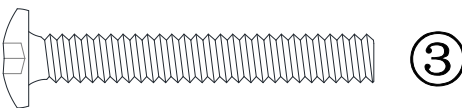
Assembly Instructions



1/4" x 1 1/4" Bolt
(3 used in this step)



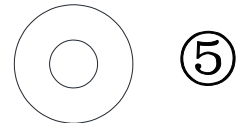
1/4" x 1 3/4" Bolt
(3 used in this step)



Lock Washer
(6 used in this step)

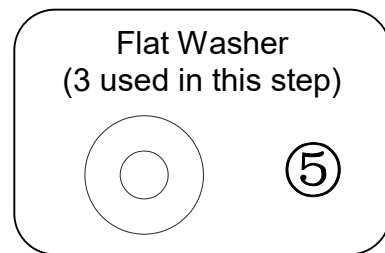
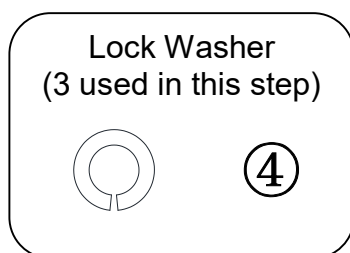
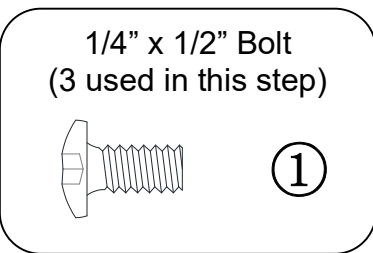
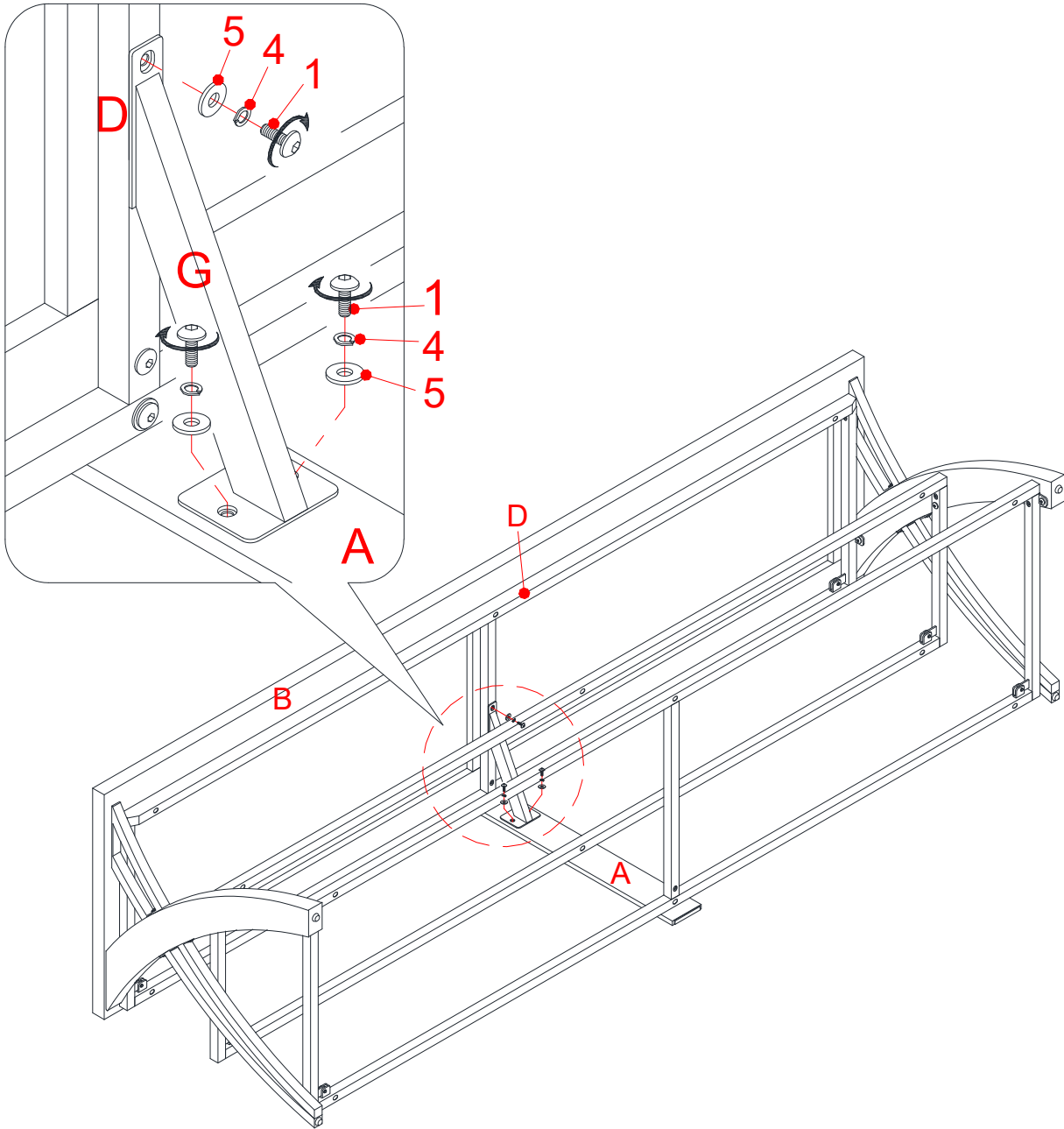


Flat Washer
(6 used in this step)



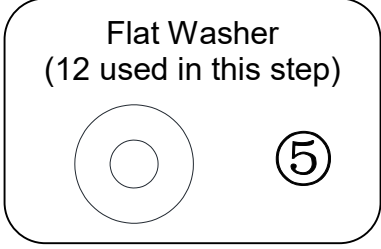
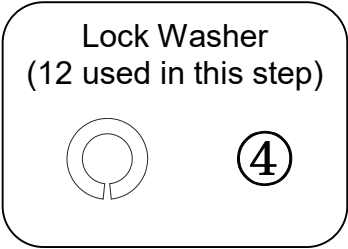
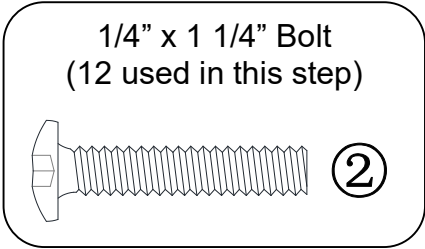
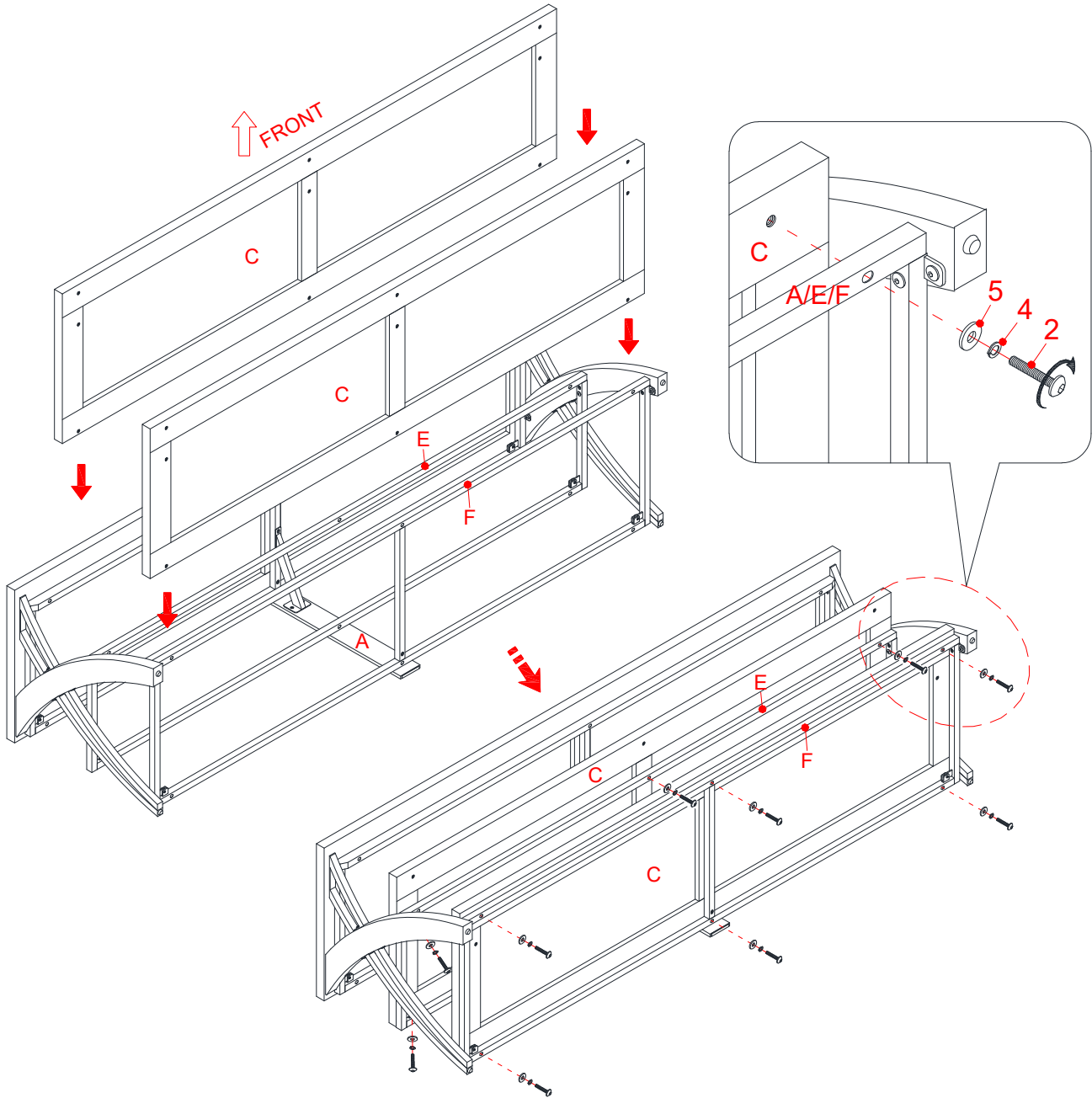
- Align and attach the Top Panel (B) to the previous assembly. Insert three 1-1/4" Bolts (2) with the Washers (4 and 5) through the back rail of the top frame and insert three 1-3/4" Bolts (3) with the Washers (4 and 5) through the Top Shelf Front Rail (D) and screw into the Top Panel (B).

Assembly Instructions



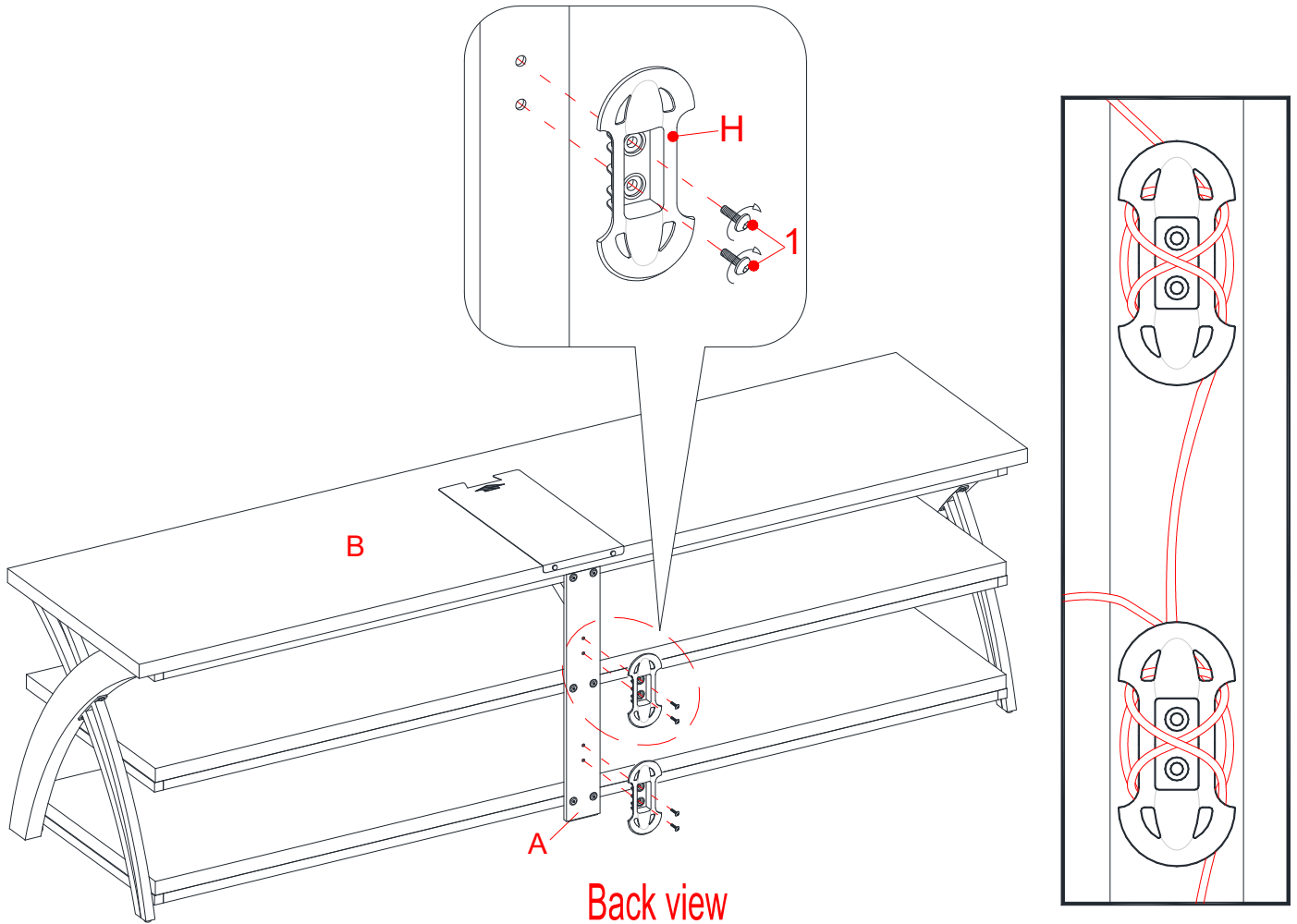
8. Attach the Top Shelf Support (G) between the Spine (A) and the Top Shelf Frame Front Assembly (D) with three 1/2" Bolts (1) and three Washers (4 and 5).

Assembly Instructions

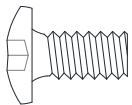


9. Fit the Lower Shelves (C) onto the Shelf Frames properly so that the threaded inserts underneath Shelves overlap the drilled holes on the Shelf Frames. Insert six 1-1/4" Bolts (2) with the Washers (4 and 5) through the drilled holes and securely screw into each Lower Shelf (C).

Assembly Instructions



1/4" x 1/2" Bolt
(4 used in this step)



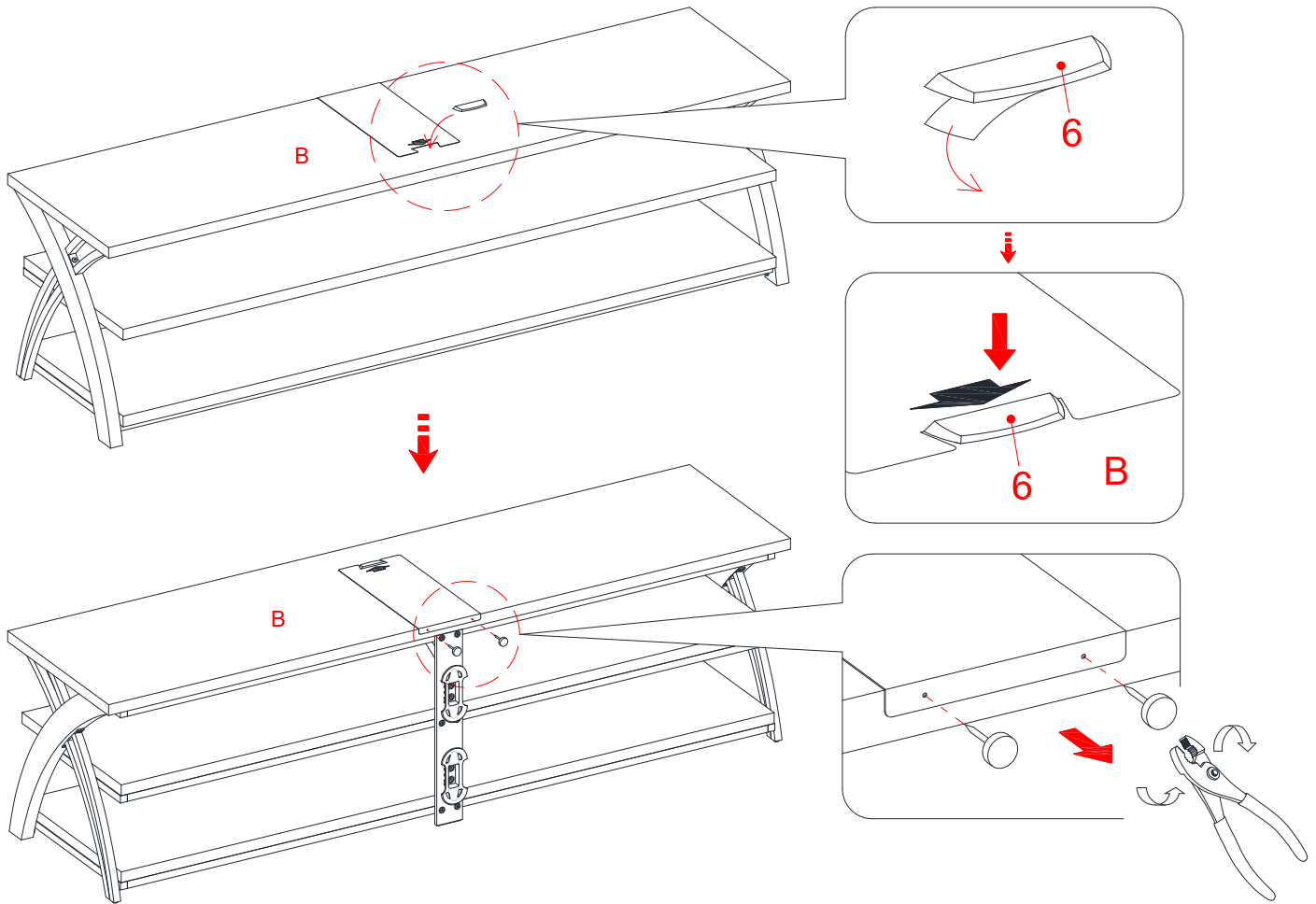
①

10. Stand the unit upright.

11. Attach two Cable Wheels (H) to the backside of the Spine (A) with four 1/2" Bolts (1). Tighten the bolts with the provided hex wrench.

NOTE: You can use the Cable Wheels to help keep your entertainment center's cables and cords organized.

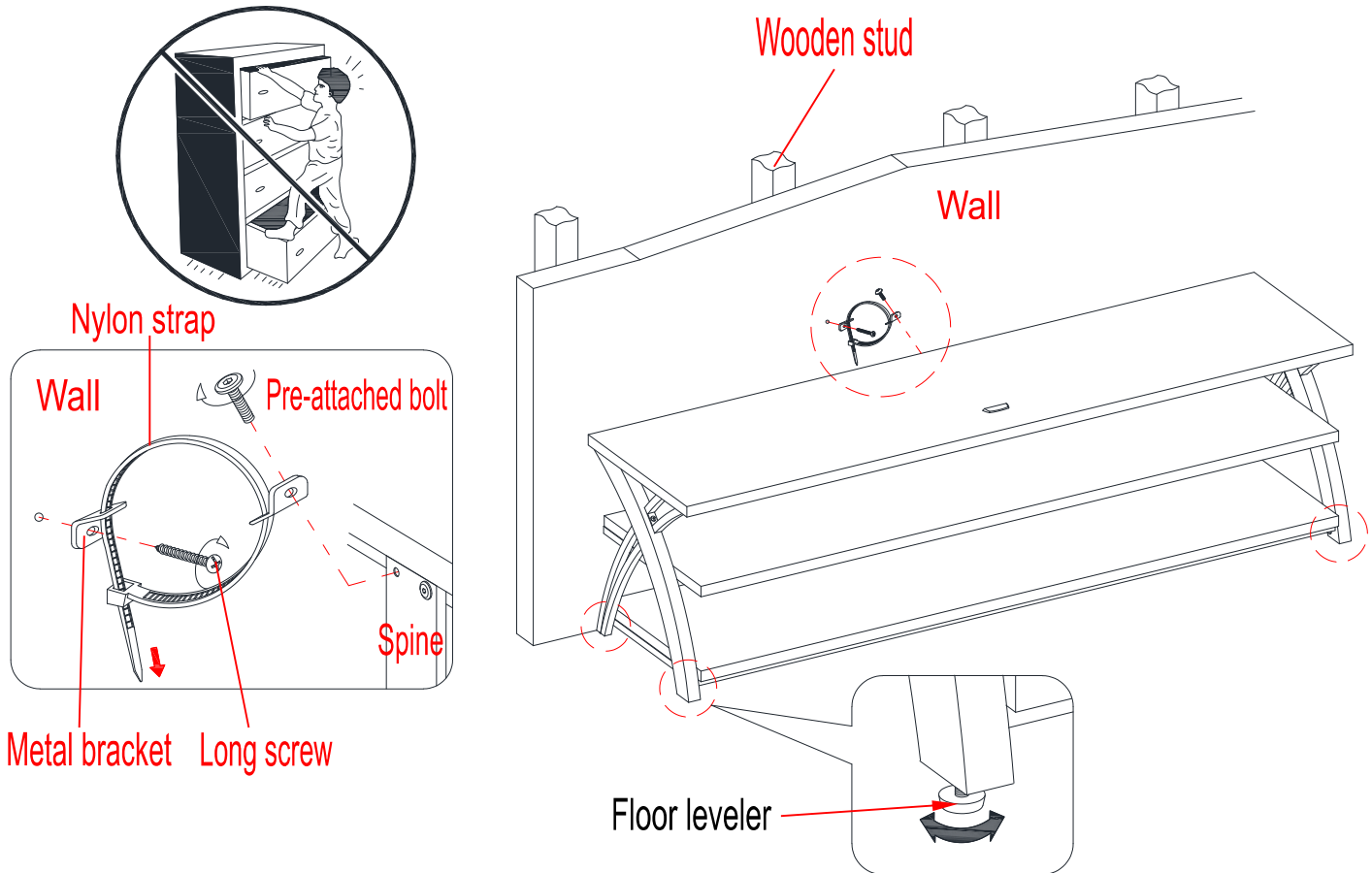
Assembly Instructions



NOTE: To prevent the TV from tipping, you must install the acrylic stopper when placing your flat panel television on the top panel. Otherwise, skip to step 13.

12. Remove the paper backing from the Acrylic Stopper (6), then properly align the acrylic stopper into the cut-out on the acrylic stopper template on the front of Top Panel (B). Press down on the acrylic stopper to help adhesion.
13. At the back of the Top Panel (B), carefully grip the head of plastic tack with pliers and, with a gentle twisting motion, pull the tack loose out to remove the acrylic stopper template.

Assembly Instructions



Tools required: Hex wrench (provided), Phillips screwdriver, stud finder, power drill and 1/8" drill bit (not provided).

14. Ask for assistance to position the unit at the desired location against a wall.
15. Follow the instructions printed on the plastic bag containing the Tipping Restraint Hardware to attach the tip-over restraints to the unit and the wall.

NOTE: The tipping restraint hardware included is for wooden stud wall construction. It must be attached to a wall stud. Depending upon your wall construction, different anchor hardware maybe required. Please contact your local hardware store for assistance. Young children can be seriously injured by tipping furniture. You must install the Tipping Restraint Hardware with the unit to prevent the unit from tipping, causing any accidents or damage. The tipping restraints are intended only as a deterrent, they are not a substitute for proper adult supervision. The tipping restraints are not earthquake restraints. If you wish to add the extra security of earthquake restraints, they must be purchased and installed separately.

16. The unit is now ready for use.

Care and Maintenance

- Use a soft, clean cloth that will not scratch the surface when dusting.
- Use of furniture polish is not necessary. Should you choose to use polish, test first in an inconspicuous area.
- Using solvents of any kind on your furniture may damage the finish.
- Never use water to clean your furniture as it may cause damage to the finish.
- Always use coasters under beverage glasses and flowerpots.
- Liquid spills should be removed immediately. Using a soft, clean cloth, blot the spill gently. Avoid rubbing.
- Always use protective pads under hot dishes and plates. Heat can cause chemical changes that may create spotting within the furniture finish.
- In the event that your furniture is stained or otherwise damaged during use, we recommend that you call a professional to repair your furniture.
- Check bolts/screws periodically and tighten them if necessary.

Further Advice about Wood Furniture Care

It is best to keep your furniture in a climate-controlled environment. Extreme temperature and humidity changes can cause fading, warping, shrinking and splitting of wood. It is advised to keep furniture away from direct sunlight as sun may damage the finish.

Proper care and cleaning at home will extend the life of your purchase. Following these important and helpful tips will enhance your furniture as it ages.

A touch-up pen has been provided to minimize the small nicks or scratches that may occur during assembly or shipping.

We hope you enjoy your purchase for many years.
Thank you for your purchase!

QUALITY GUARANTEE

We are confident that you will be delighted with your Whalen Furniture purchase.

Should this product be defective in workmanship or materials or fail under normal use, we will repair or replace it for up to one (1) year from date of purchase. Every Whalen Furniture product is designed to meet your highest expectations. We guarantee that you will immediately see the value of our fine furniture.

This warranty gives you specific legal rights and you may also have other rights which vary from state to state or province to province.

Customer Service: 1-866-942-5362
8:30 a.m. - 4:30 p.m., PST, Monday to Friday
www.whalenfurniture.com