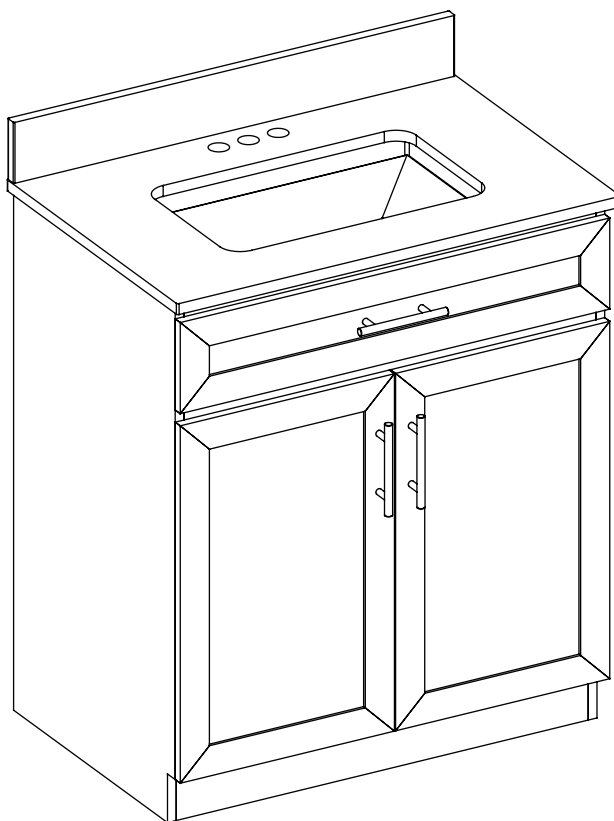


# CANVAS<sup>TM/MC</sup>

## DANVILLE 30" (76.2 CM) HONEY OAK BATHROOM VANITY

---

PRODUCT NO. 063-6344-6



### ASSEMBLY INSTRUCTIONS



**HAVING TROUBLE?**

**TOLL-FREE:**

**1-888-670-6684**

**IMPORTANT:** Please read this manual carefully before beginning assembly of this product. Keep this manual for future reference.

# CANVAS™

INSPIRED BY CANADA



We believe in the power of décor and its ability to make up the fabric of your home.

That's why **CANVAS®** collections draw **inspiration from Canadians and the way they live.**

From on-trend furniture pieces to holiday décor and all your outdoor living essentials, **CANVAS®** makes it easy to refresh your space to reflect **your unique style and the way you live every day.**

We would love to hear from you and welcome your thoughtful feedback. Visit our website at **canadiantire.ca** to tell us about your experience, and share your photos with us using **#myCANVASstyle.**

Show us how you bring **CANVAS®** products to life. We can't wait to see!

## TABLE OF CONTENTS

|                                 |    |
|---------------------------------|----|
| Parts List .....                | 4  |
| Before You Begin Assembly ..... | 9  |
| Step-by-step Guide .....        | 11 |
| Technical Data .....            | 21 |
| Troubleshooting .....           | 22 |
| Caring for Your Item .....      | 22 |
| Warranty .....                  | 23 |



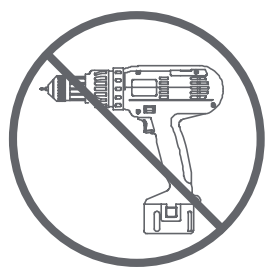
**WARNING! TO REDUCE THE RISK OF SERIOUS INJURY, READ THE FOLLOWING SAFETY INSTRUCTIONS BEFORE ASSEMBLING AND USING THE PRODUCT.**

- Please read and understand this entire manual before attempting to assemble, operate, or install the product.
- Any assembly or maintenance of the product must be carried out by adults only.
- Some parts may contain sharp edges. Wear protective gloves if necessary.
- To prevent damage, place all parts on a level surface during assembly. Add a layer of protective surface if needed.
- Do not allow your children to climb or jump on furniture due to possible accident, injury or death. A child climbing on a piece of furniture can make it top-heavy and cause the furniture to tip over.
- Keep children and pets away during assembly.
- Repairing and replacing parts should be done by a qualified technician.
- This unit is intended for use only within the maximum weight indicated. Use with loads heavier than the maximum weight indicated may result in instability causing possible injury.
- Failure to follow these warnings could result in serious injury.

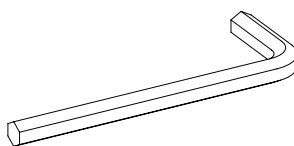
## TOOLS REQUIRED



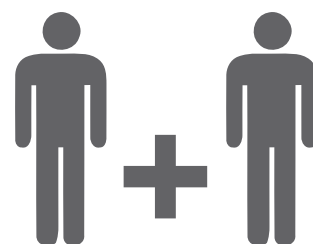
No. 2 Cross-head Screwdriver  
Tip Shown Actual Size



**NOTE:** Do not over-drill/  
be aware of over-drilling


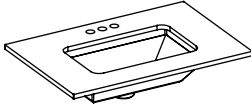

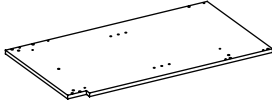




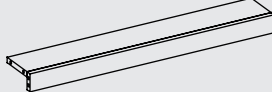
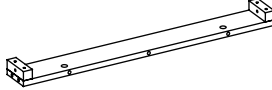

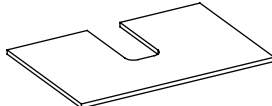
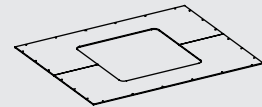


Hex Wrench

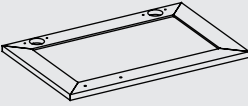
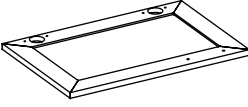
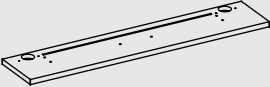
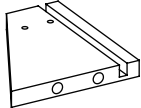
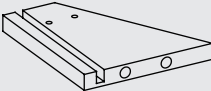




2 People

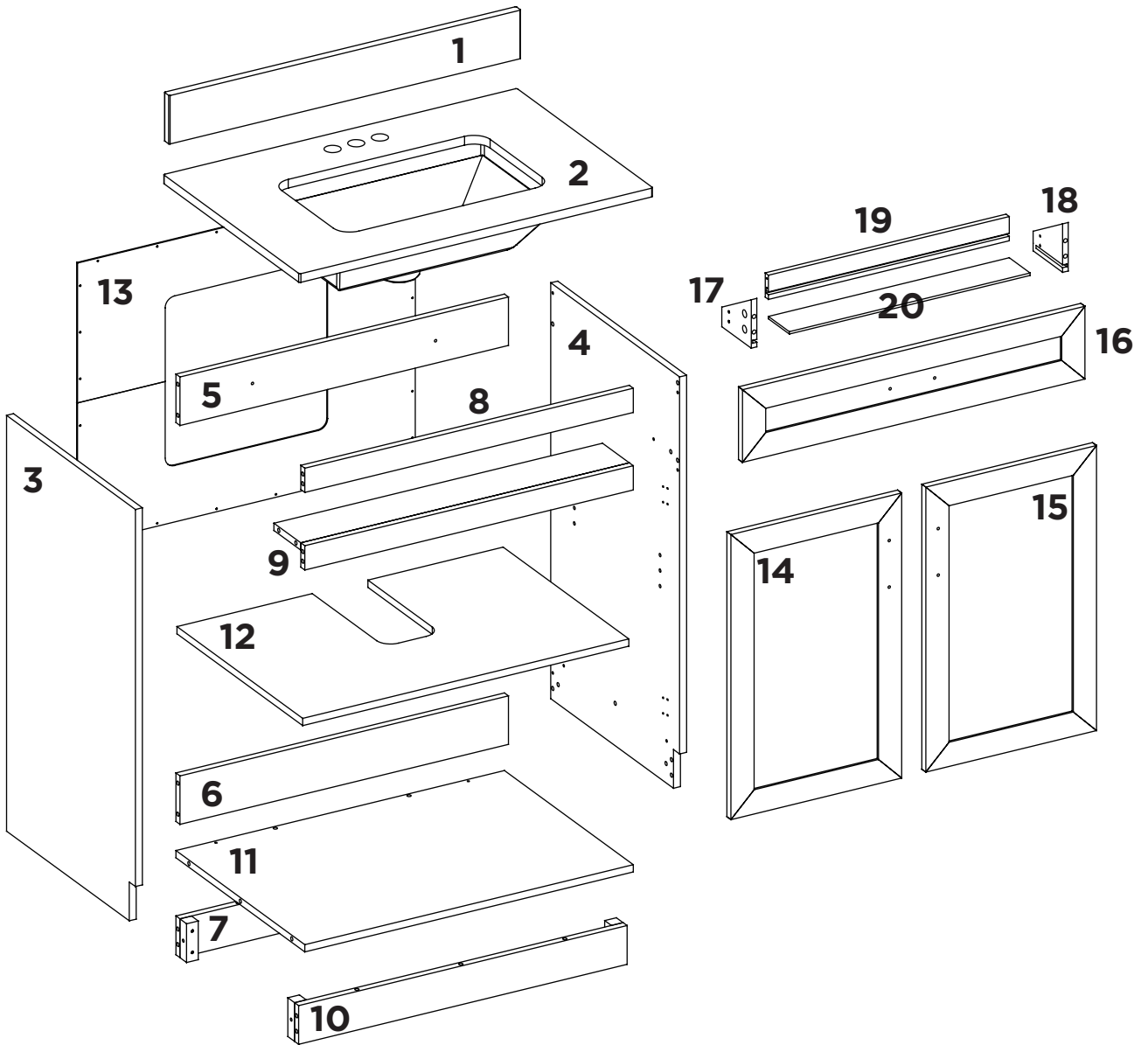
## PARTS LIST

| ITEM | DESCRIPTION            | THUMBNAIL  | QUANTITY |
|------|------------------------|--|----------|
| 1    | Backsplash             |    | 1        |
| 2    | Vanity Top             |    | 1        |
| 3    | Side Panel Left        |    | 1        |
| 4    | Side Panel Right       |    | 1        |
| 5    | Upper Back Stretcher   |    | 1        |
| 6    | Middle Back Stretcher  |  | 1        |
| 7    | Lower Back Stretcher   |  | 1        |
| 8    | Upper Front Stretcher  |  | 1        |
| 9    | Middle Front Stretcher |  | 1        |
| 10   | Bottom Front Stretcher |  | 1        |
| 11   | Bottom Panel           |  | 1        |
| 12   | Adjustable Shelf       |  | 1        |
| 13   | Back Panel             |  | 1        |

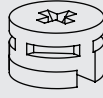
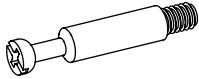

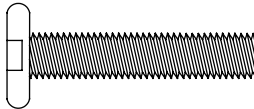
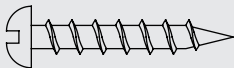
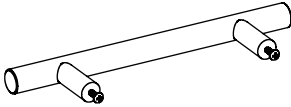

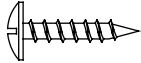
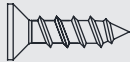
## PARTS LIST

| ITEM | DESCRIPTION   | THUMBNAIL  | QUANTITY |
|------|---------------|--|----------|
| 14   | Left Door     |    | 1        |
| 15   | Right Door    |    | 1        |
| 16   | Drawer Front  |    | 1        |
| 17   | Drawer Left   |   | 1        |
| 18   | Drawer Right  |    | 1        |
| 19   | Drawer Back   |  | 1        |
| 20   | Drawer Bottom |  | 1        |

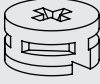
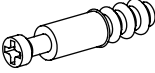
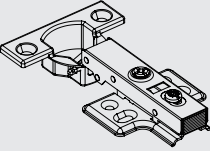
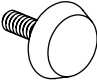
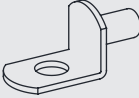
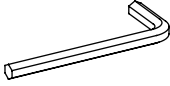


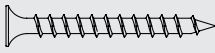
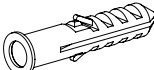
# EXPLODED PARTS



## HARDWARE LIST

| ITEM | DESCRIPTION         | THUMBNAIL  | QUANTITY |
|------|---------------------|--|----------|
| A    | Large Cam Lock      |   | 20       |
| B    | Large Cam Bolt      |    | 20       |
| C    | M8x30 mm Wood Dowel |    | 22       |
| D    | 1/4"x32 mm Bolt     |   | 4        |
| E    | M4x25 mm Screw      |  | 6        |
| F    | Handle with Bolts   |  | 3        |
| G    | M4x12 mm Screw      |  | 36       |
| H    | M3.5x15 mm Screw    |  | 20       |
| I    | M3.5x12 mm Screw    |  | 4        |

## HARDWARE LIST

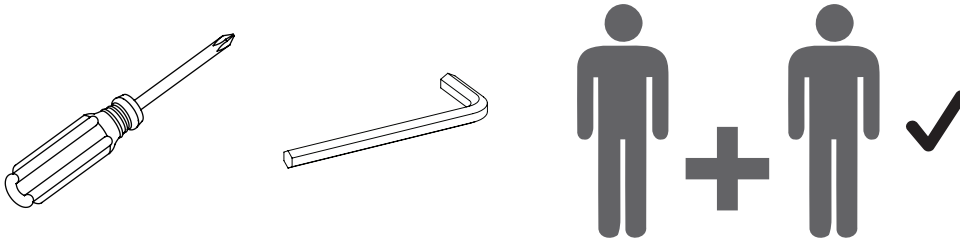
| ITEM | DESCRIPTION                   | THUMBNAIL  | QUANTITY |
|------|-------------------------------|--|----------|
| J    | Small Cam Lock                |    | 4        |
| K    | Small Cam Bolt                |    | 4        |
| L    | Straight Arm Slow Close Hinge |    | 6        |
| M    | Leveller                      |   | 4        |
| N    | Shelf Support                 |  | 4        |
| O    | Hex Wrench                    |  | 1        |
| P    | Touch-up Pen                  |  | 1        |
| Q    | Glue                          |  | 1        |
| R    | M4x50 mm Screw                |  | 2        |
| S    | Plastic anchor                |  | 2        |



## BEFORE YOU BEGIN ASSEMBLY

### MAKE SURE ALL PARTS ARE PRESENT

Compare all pieces to the parts and hardware lists, and make sure you have all tools required for assembly.



### ASSEMBLE IN A CLEARED AREA

Place all parts from the box on the floor in front of you on a clean, dry, level surface to protect the product as it is being built.



### REMOVE PACKAGING MATERIALS

Place packing materials back in the box. Do not dispose of packaging materials until assembly is complete.



### READ EACH STEP CAREFULLY

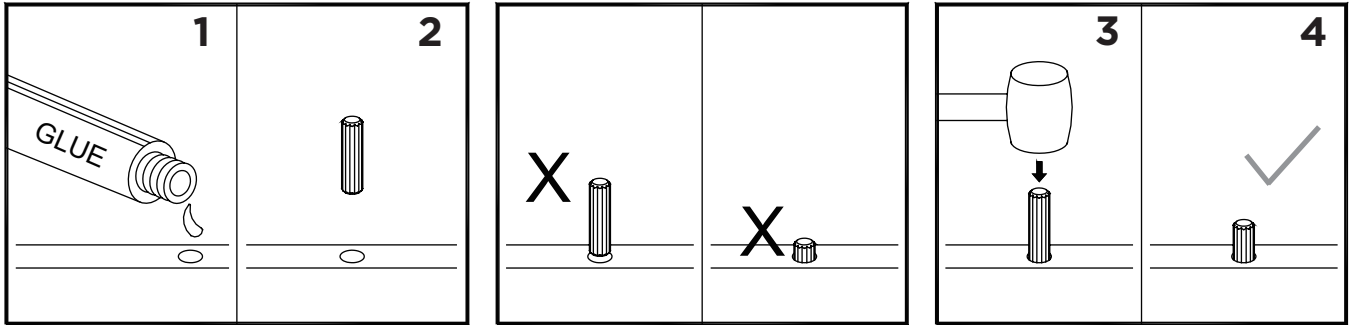
Make sure you understand each step. If you have any questions, contact CANVAS® customer service at 1-888-670-6684 (toll free).



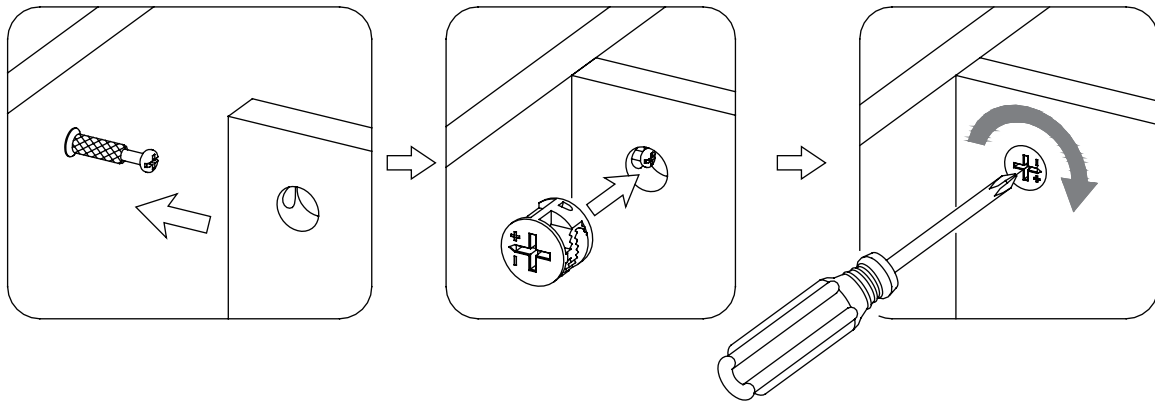
## BEFORE YOU BEGIN ASSEMBLY

**NOTE:** IT IS VERY IMPORTANT TO USE GLUE WITH DOWELS. EXCESS GLUE CAN BE WIPED OFF WITH DAMP CLOTH.

Insert dowel at least half way by tapping lightly with a rubber mallet IF NECESSARY.



## CAM LOCK SYSTEM OPERATION



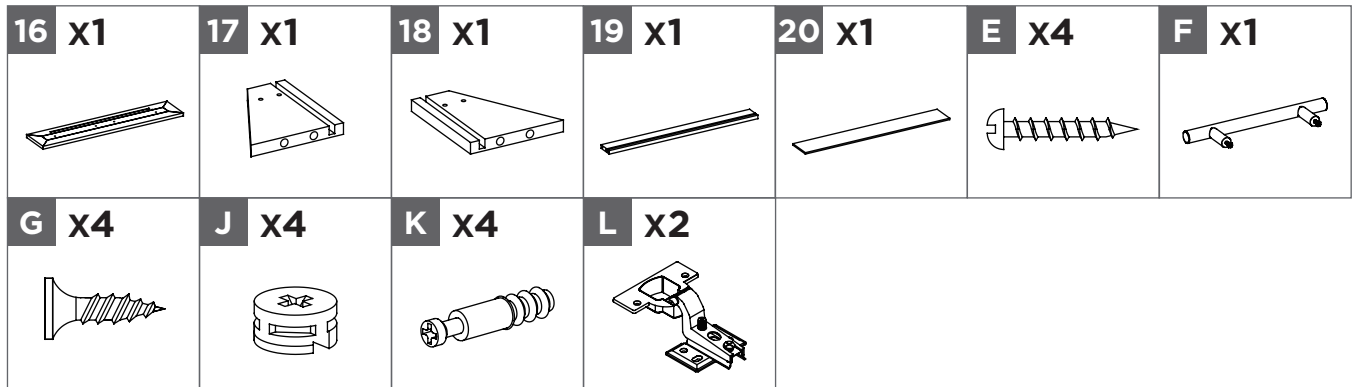
## HOW THE KNOCK DOWN (KD) ASSEMBLY SYSTEM WORKS

1. Screw cam bolt into the pre-drilled small holes on panel. Align the panels to be joined so that the cam bolt goes into the pre-drilled hole on the edge of the second panel and protrudes into the hole that will house the cam lock.
2. Insert the cam lock into pre-drilled large hole on panel. Make sure arrow on the cam lock is pointed toward the cam bolt.
3. Once the cam bolt is connected inside cam lock, take a cross-head screwdriver and tighten the cam lock by turning clockwise.

You are now ready to assemble the product.

# STEP-BY-STEP GUIDE

## STEP 1

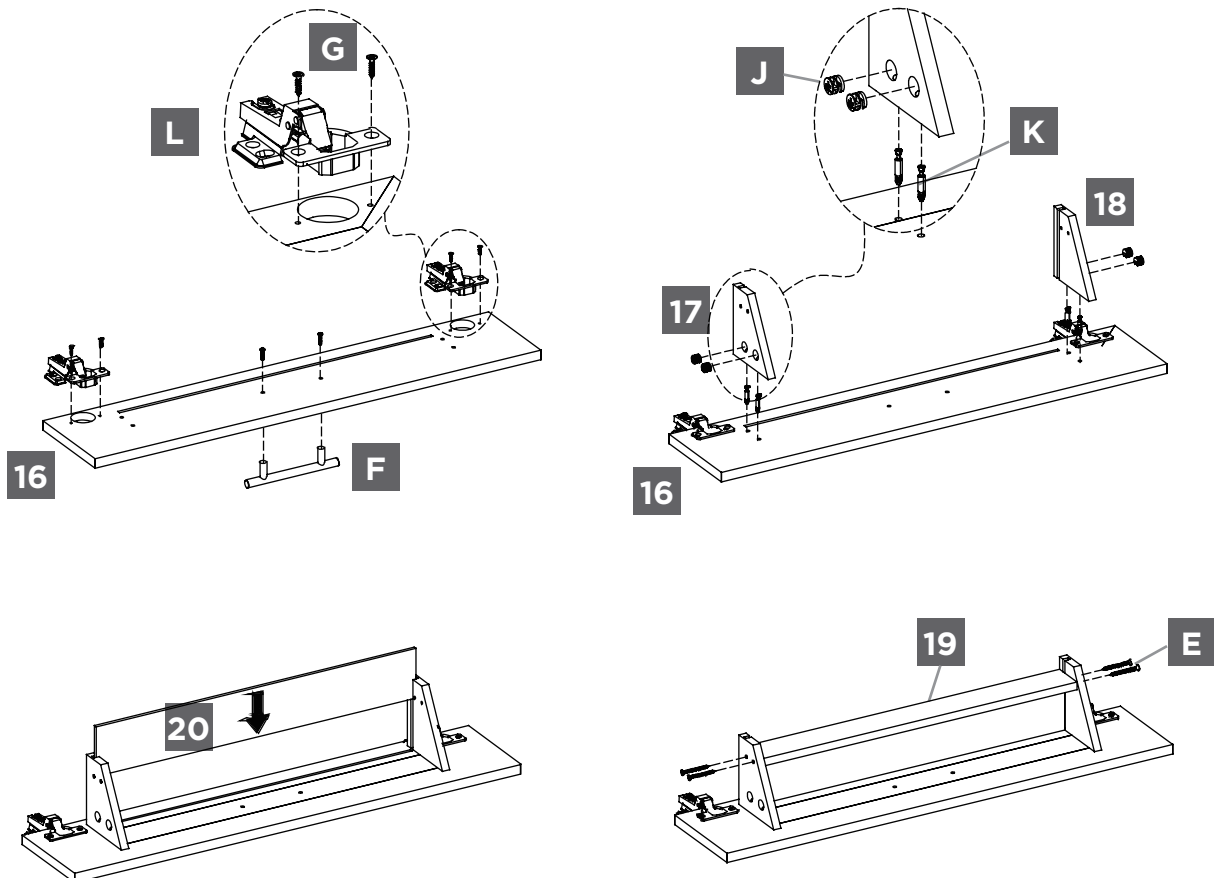


Attach straight arm slow close hinge **L** to drawer front **16** using M4x12mm screws **G**. Remove preassembled bolt from handle **F**. Insert drawer handle **F** to drawer front **16**, securing with previously removed bolts.

Attach drawer left **17** and drawer right **18** to drawer front **16** using small cam locks **J** and small cam bolts **K**. Insert drawer bottom **20** into drawer left **17**, drawer right **18** and drawer front **16**.

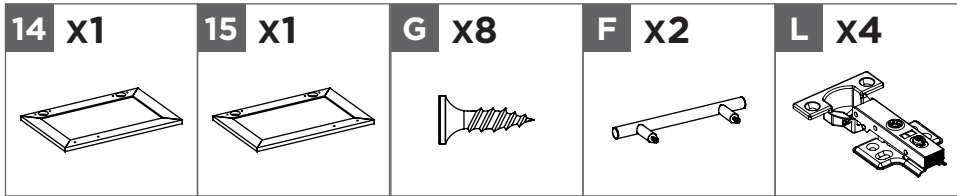
Insert drawer back **19** into drawer left **17** and drawer right **18**, securing with M4x25mm screws **E**.

**Note:** Make sure small cam bolts **K** are completely seated.

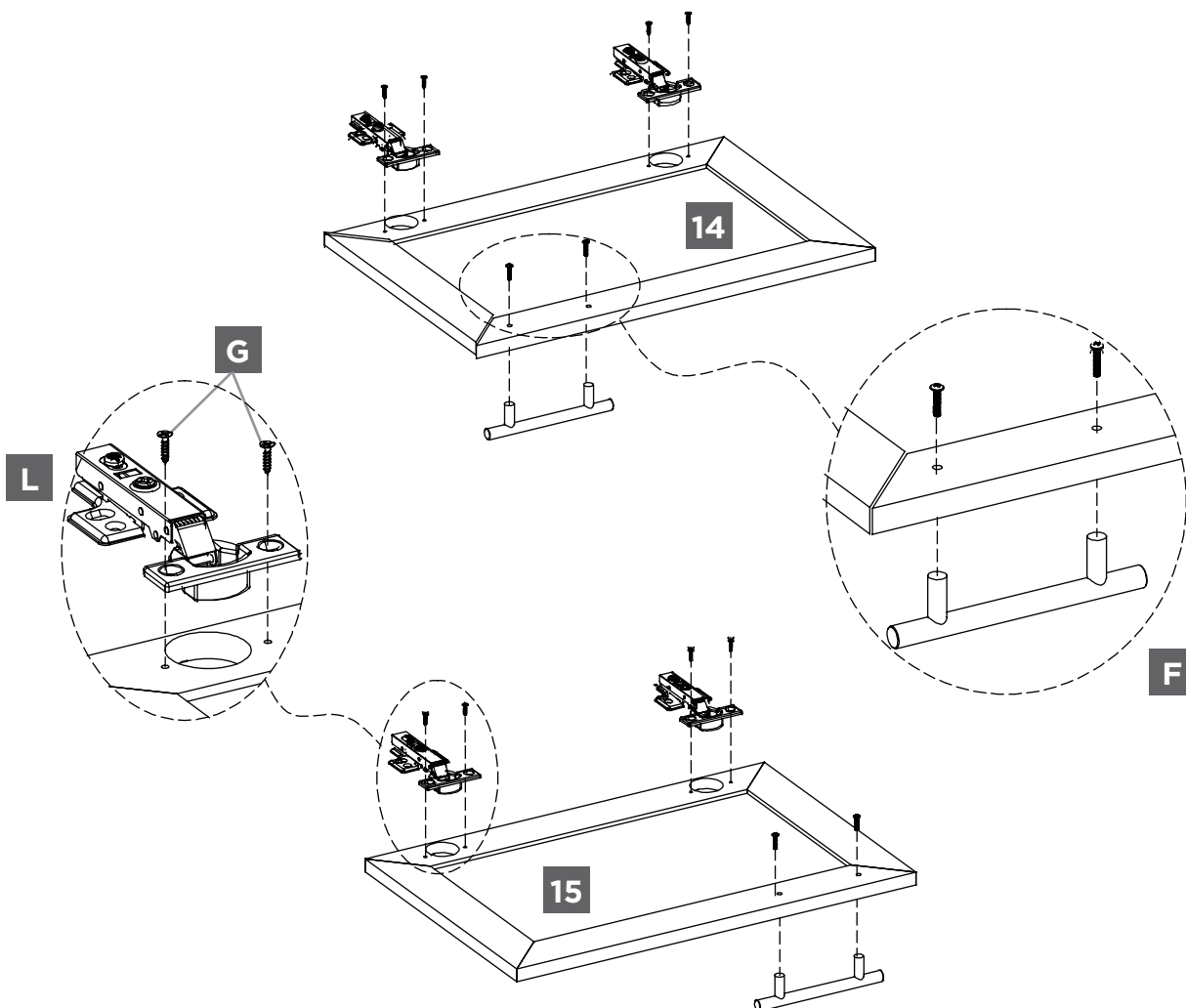


## STEP-BY-STEP GUIDE

### STEP 2

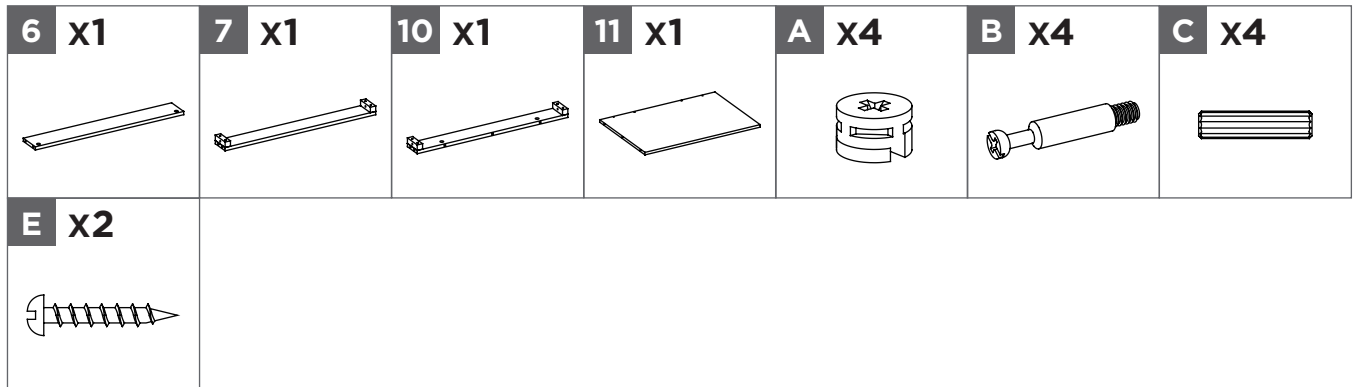


Attach straight arm slow close hinge **L** to left door **14** and right door **15** using M4x12 mm screws **G**. Remove preassembled bolt from handle **F**. Attach drawer handle **F** to left door **14** and right door **15**, securing with previously removed bolts.



## STEP-BY-STEP GUIDE

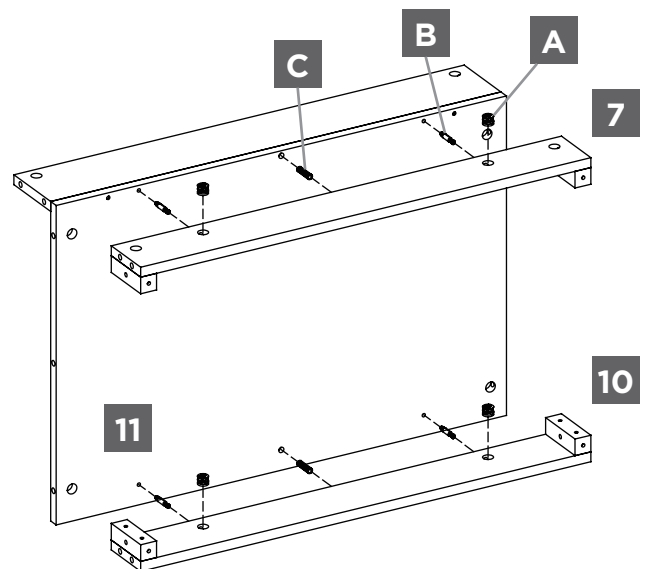
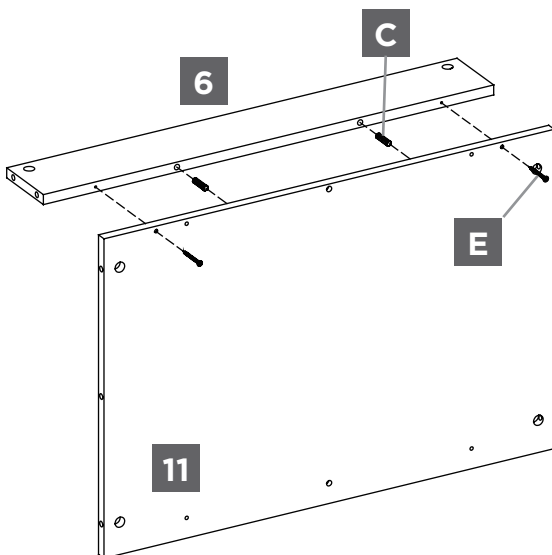
### STEP 3



Attach middle back stretcher **6** to bottom panel **11** using M4x25mm screws **E**.


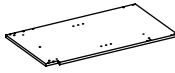


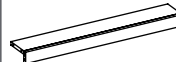
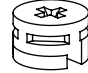
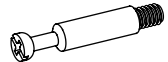


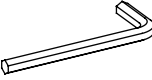
Then, attach lower back stretcher **7** and bottom front stretcher **10** to bottom panel **11** using large cam locks **A**, large cam bolts **B** and M8x30mm wood dowels **C**.

**Note:** Make sure large cam bolts **B** are completely seated.



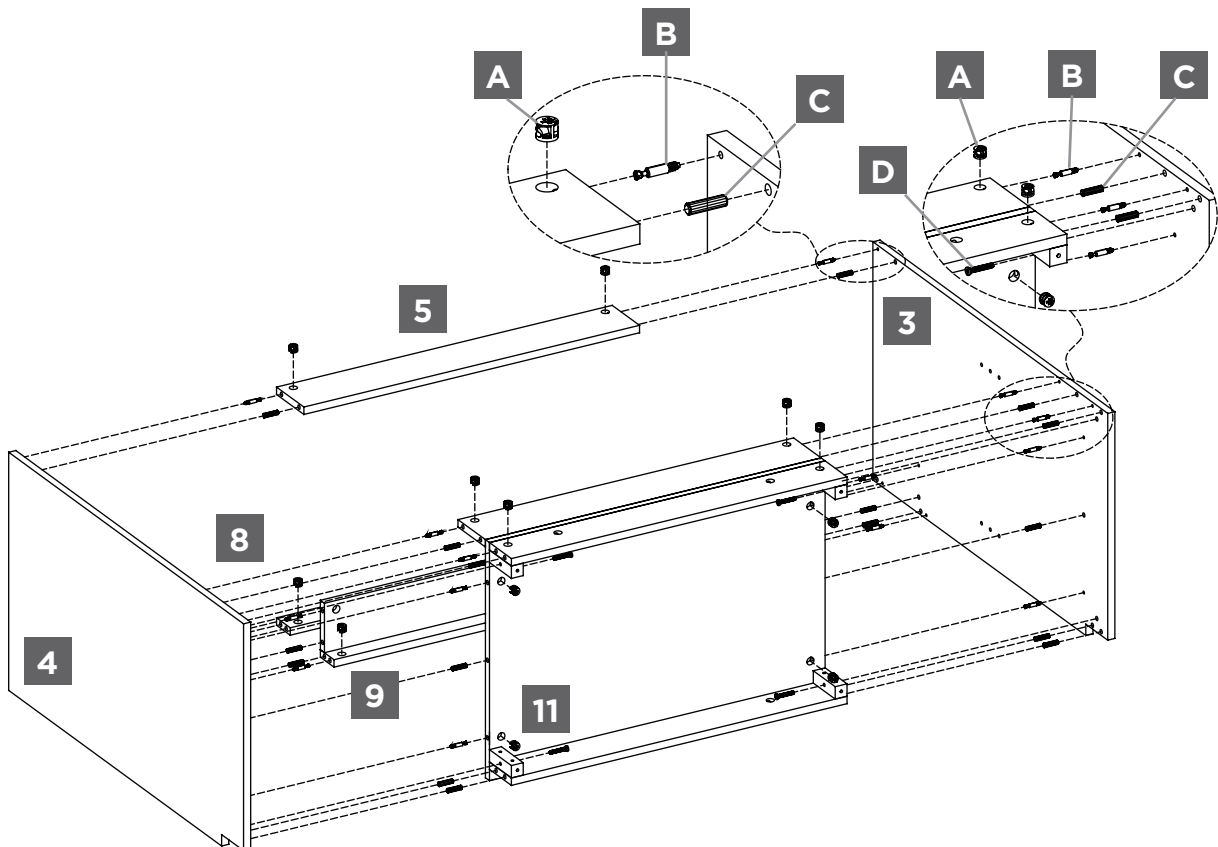
## STEP-BY-STEP GUIDE

### STEP 4

|   |   |   |   |  |   |   |
|---|---|---|---|--|---|---|
| <b>3</b> X1   | <b>4</b> X1   | <b>5</b> X1   | <b>8</b> X1   | <b>9</b> X1  | <b>A</b> X16  | <b>B</b> X16  |
|  |  |  |  |  |  |  |
| <b>C</b> X18  | <b>D</b> X4   | <b>O</b> X1   |   |  |   |   |
|  |  |  |   |  |   |   |

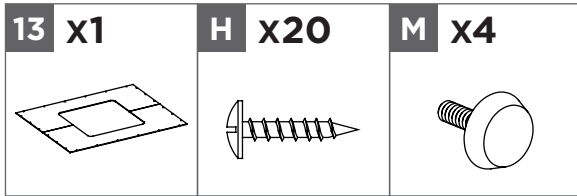
Attach upper back stretcher **5**, upper front stretcher **8**, middle front stretcher **9** and bottom panel assembly to side panel left **3** and side panel right **4** using large cam locks **A**, large cam bolts **B**, M8x30mm wood dowels **C** and 1/4"x30mm bolts **D**.

**Note:** Make sure large cam bolts **B** are completely seated.

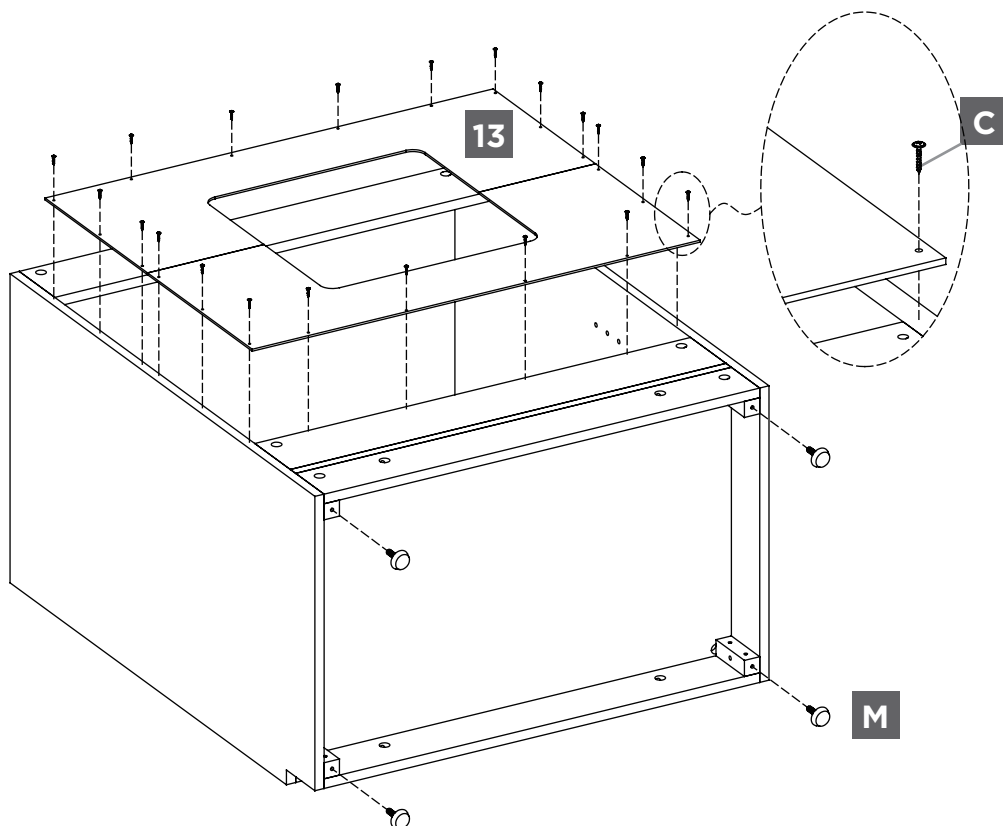


## STEP-BY-STEP GUIDE

### STEP 5

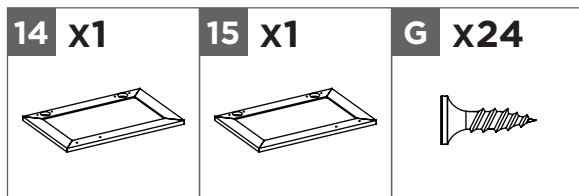


Attach back panel **13** to the back of the vanity assembly using M3.5x15mm screws **H**. Attach levellers **M** to the bottom corners of the vanity assembly.



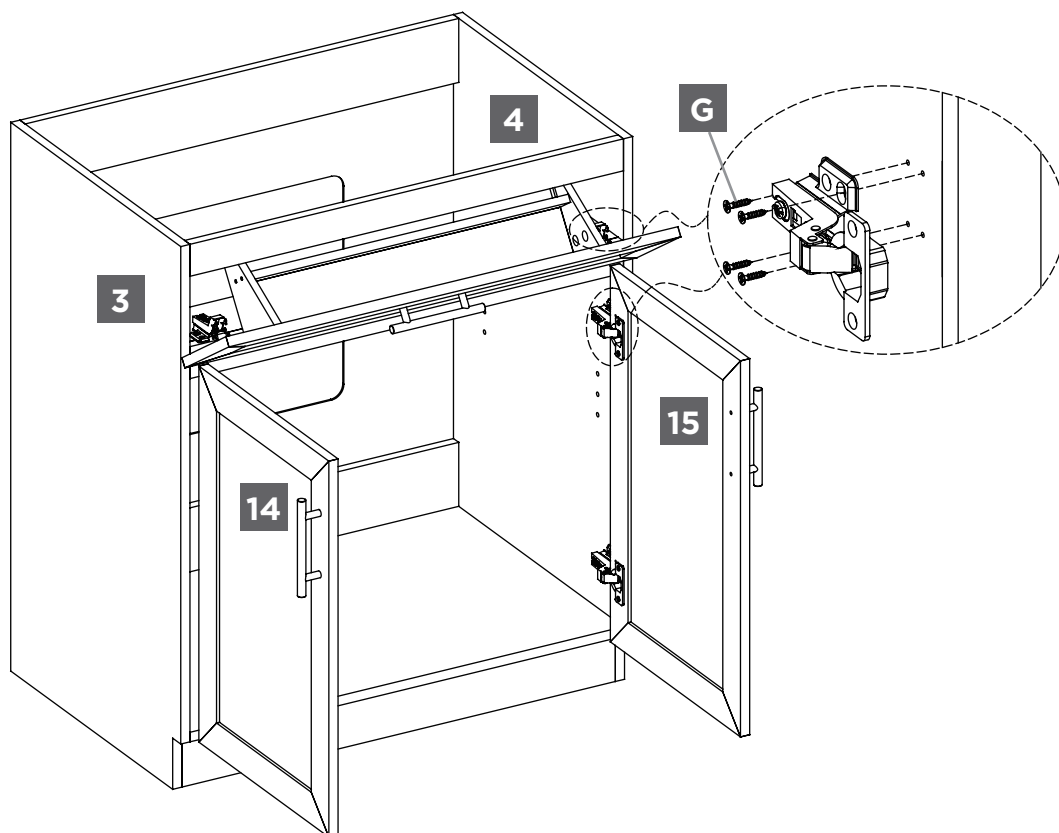
## STEP-BY-STEP GUIDE

### STEP 6



Attach left door **14**, right door **15** and the drawer assembly to the vanity assembly with M4x12mm screws **G** using the pilot holes as a guide.

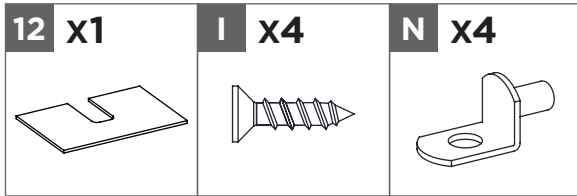
Open and close the doors to make sure they are aligned and shut correctly. If necessary, adjust the screws for a good fit.





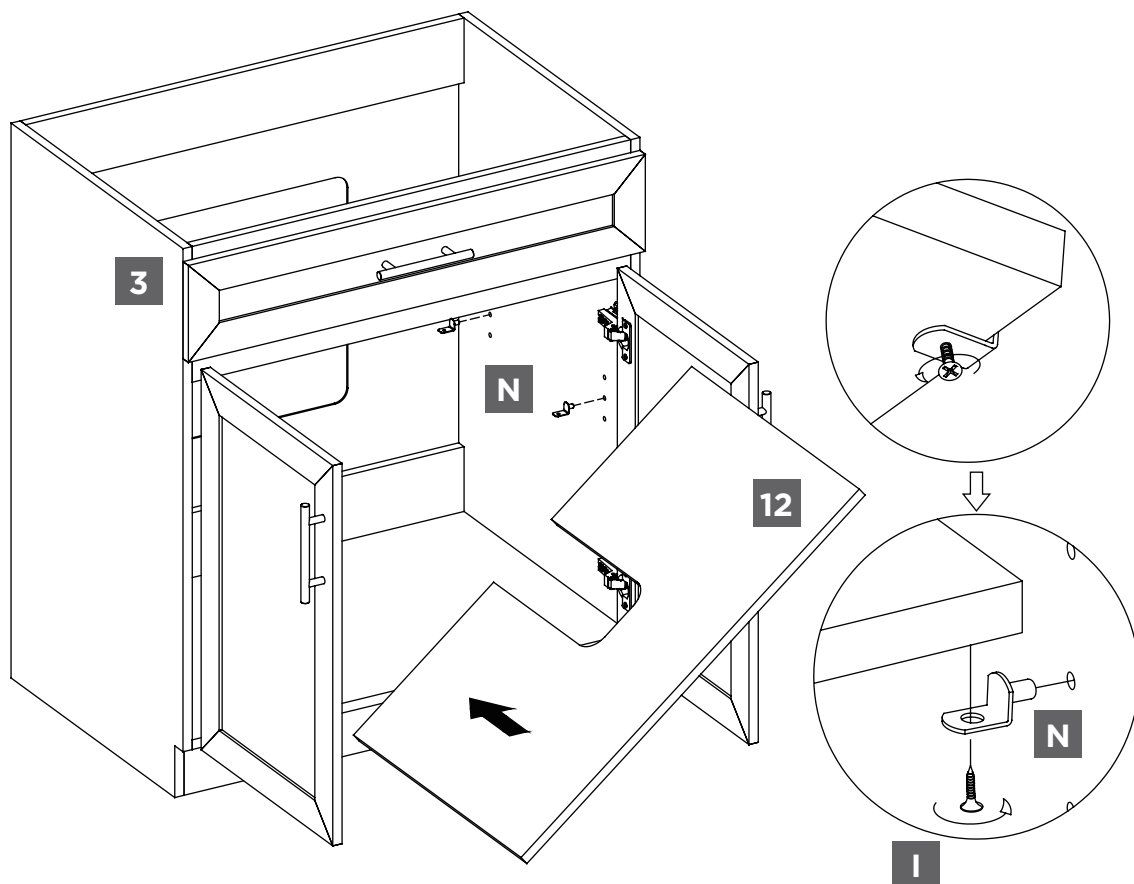
## STEP-BY-STEP GUIDE

### STEP 7



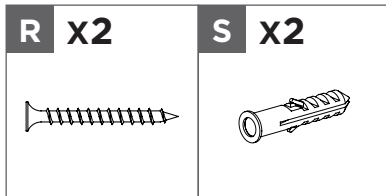
Insert shelf support **N** into the desired holes in the sides of each compartment. Make sure you place the shelf supports at the same level so the shelf is not tilted.

Tilt and rest adjustable shelves **12** onto shelf supports **N**. Secure using M3.5x12mm screws **I**.



## STEP-BY-STEP GUIDE

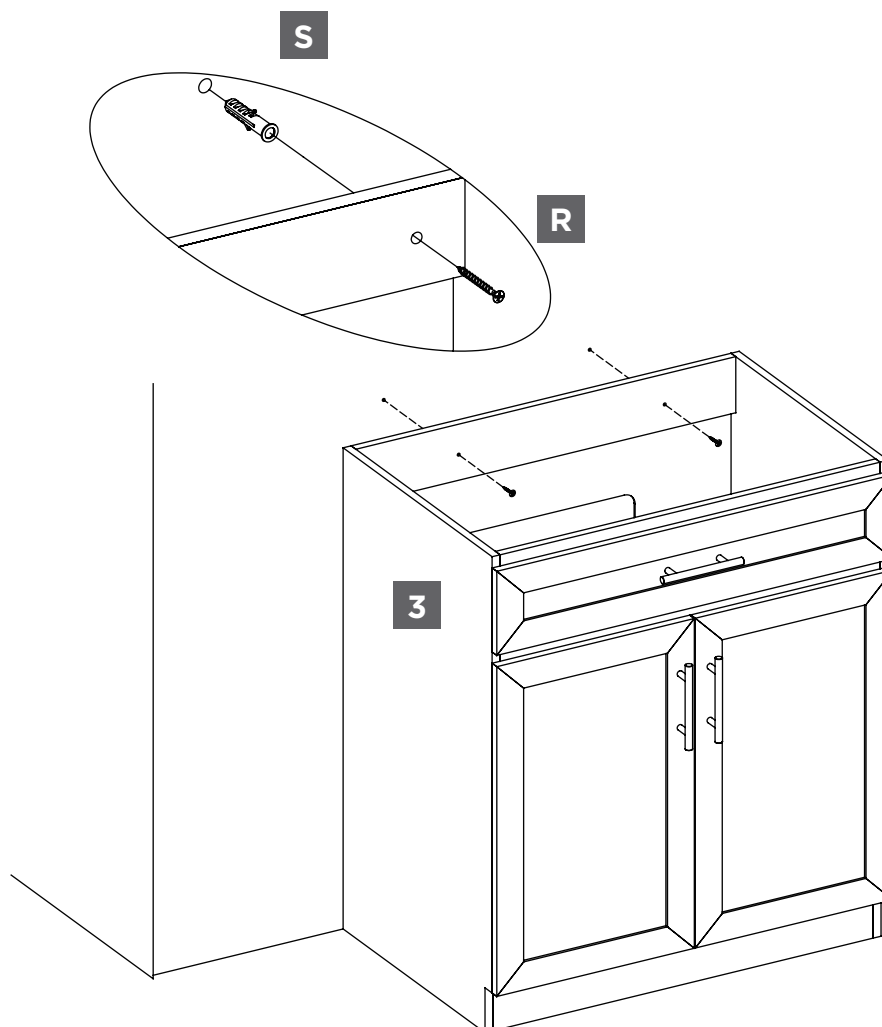
### STEP 8



Determine where vanity is to be placed and mark location on the wall for the mounting.

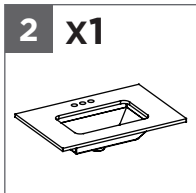
Drill a 3/8" hole in the wall. Press the plastic anchor **S** into the hole and gently tap until the flange of the anchor is against the wall surface.

Attach Vanity to the wall using M4x50mm screws **R**.

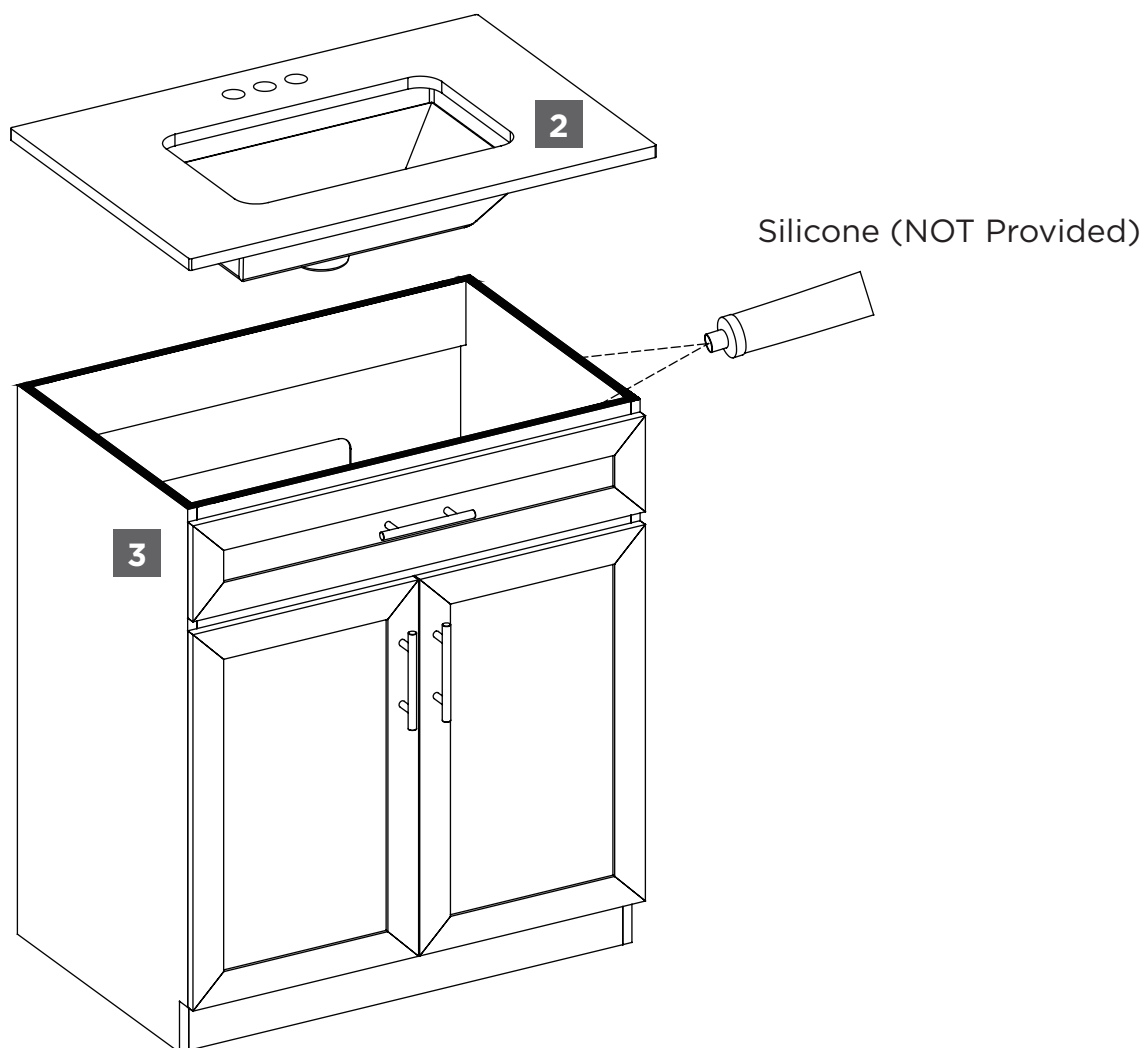


## STEP-BY-STEP GUIDE

### STEP 9

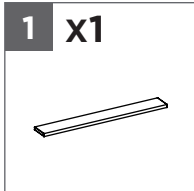


Apply silicone around the top edge of vanity assembly to secure the vanity top **2**.

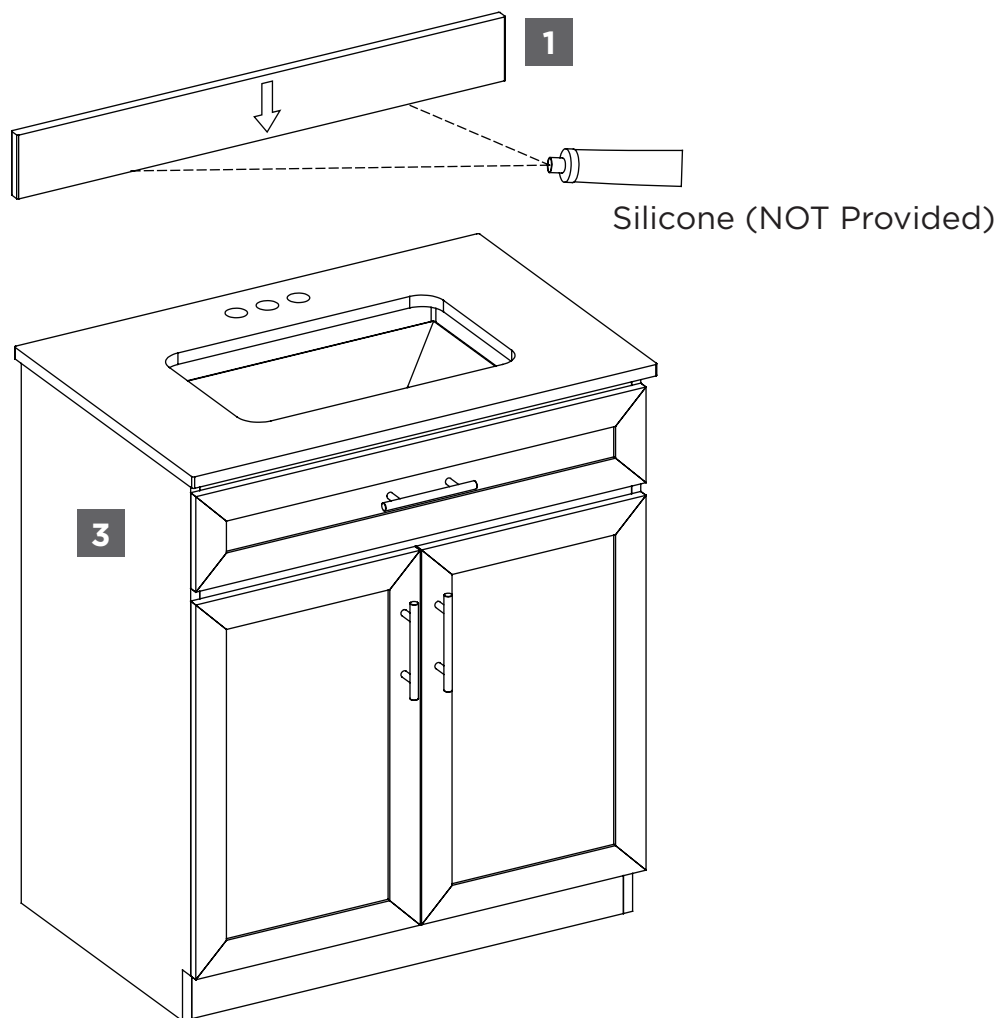


## STEP-BY-STEP GUIDE

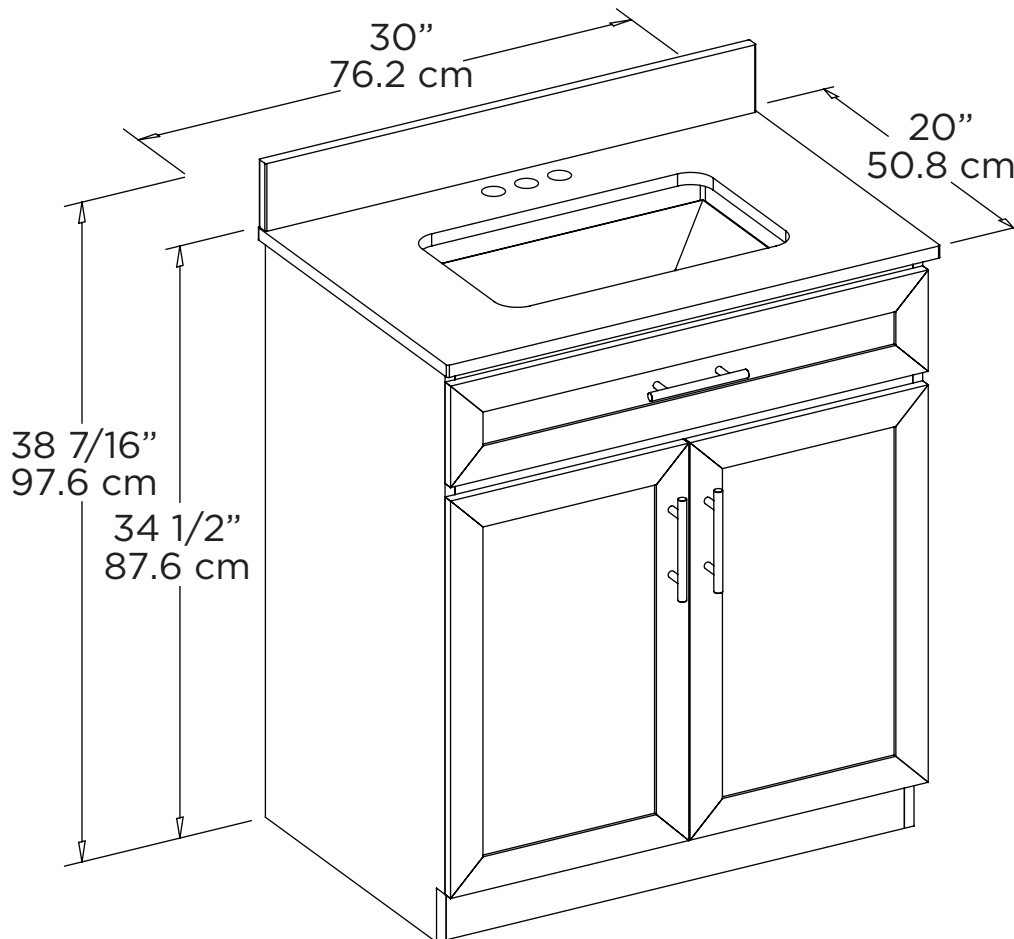
### STEP 10



Apply silicone along the bottom edge of backsplash **1** and attach it to vanity assembly.



## TECHNICAL DATA



### SPECIFICATIONS

**ASSEMBLED DIMENSIONS (W x D x H)**

30 x 20 x 34 1/2"

76.2 x 50.8 x 87.6 cm

**ASSEMBLED WEIGHT**

108 lb

49 kg

**MAXIMUM WEIGHT CAPACITY**

200 lb

90.7 kg

## ASSEMBLY TROUBLESHOOTING



**BEFORE RETURNING  
YOUR PRODUCT**

**HAVING TROUBLE?  
LET US HELP YOU!**

**TOLL-FREE:  
1-888-670-6684**

If you have questions regarding your product or require warranty assistance, please call our customer service helpline.



**CALL US;  
WE CAN HELP**

## PRODUCT TROUBLESHOOTING

| PROBLEM   | POSSIBLE CAUSES         | SOLUTION  |
|---|-------------------------|---|
| Vanity doors rub against another surface.             | The floor is not level. | Adjust the leg levellers to ensure the vanity combo is level. |
| There is an uneven gap between the doors and cabinet. | The floor is not level. | Adjust the leg levellers to ensure the vanity combo is level. |

## CARING FOR YOUR ITEM

- 1 Rinse vanity top with clean, hot water frequently.
- 2 Blot spills quickly, and wash with mild soap and warm water.
- 3 Check all nuts and bolts periodically for tightness. When required, tighten them again.
- 4 Tips for using touch-up pen (P): For scratches, stroke in direction of scratch; for worn areas, stroke in direction of wood grain. Remove excess colourant promptly with a soft cloth.

## WARRANTY INFORMATION



### 1-YEAR LIMITED WARRANTY\*

This CANVAS® product carries a one (1) year warranty against defects in workmanship and materials. Trileaf Distribution agrees to replace the defective product free of charge within the stated warranty period, when returned by the original purchaser with proof of purchase. This product is not guaranteed against wear or breakage due to misuse and/or abuse.

PRODUCT NO. 063-6344-6

Made in Vietnam

Imported by Trileaf Distribution Trifeuil Toronto, Canada M4S 2B8

**CANVAS™**

INSPIRED BY CANADA



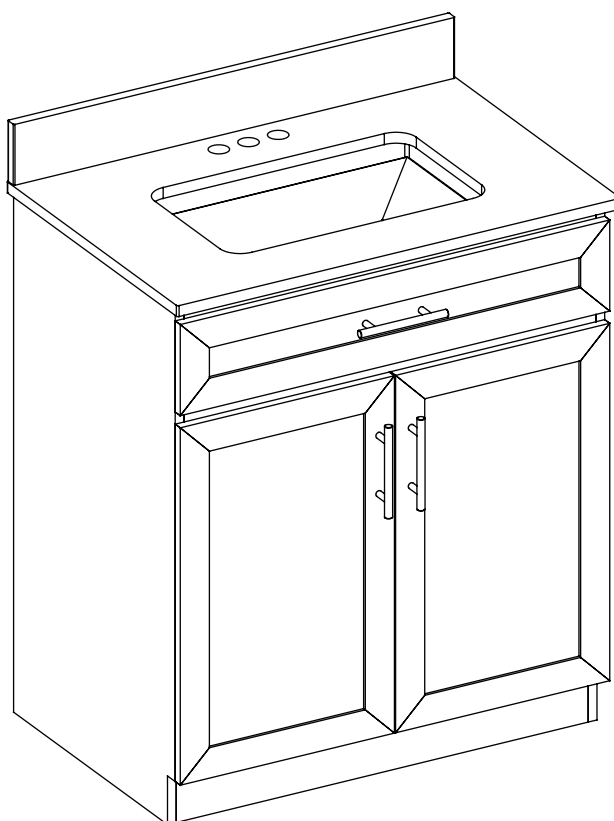


# CANVAS<sup>TM/MC</sup>

## MEUBLE-LAVABO CHÊNE MIEL DE 30 PO (76,2 CM) DANVILLE

---

N° D'ARTICLE : 063-6344-6



### INSTRUCTIONS D'ASSEMBLAGE



**VOUS RENCONTREZ DES PROBLÈMES?**

**NUMÉRO SANS FRAIS :**

**1 888 670-6684**

**IMPORTANT :** Veuillez lire attentivement ce guide avant de procéder à l'assemblage de ce produit. Conservez ce guide aux fins de consultation ultérieure.

# CANVAS<sup>MC</sup>

INSPIRÉ PAR LE CANADA



Nous croyons au pouvoir de la décoration pour donner son âme à votre maison.

C'est pour cela que les collections **CANVAS<sup>MD</sup>** **s'inspirent des Canadiens et de leur style de vie.**

Qu'il s'agisse de meubles tendance, de décorations pour les fêtes ou pour le plein air, **CANVAS<sup>MD</sup>** vous permet de rafraîchir facilement votre espace pour qu'il reflète **votre style unique et votre mode de vie.**

Nous serions ravis de recevoir vos commentaires judicieux. Visitez notre site Web à **canadiantire.ca** pour nous communiquer de votre expérience et partagez vos photos avec nous en utilisant **#mycanvasstyle**.

Montrez-nous comment vous donnez vie à **CANVAS<sup>MD</sup>**. Nous avons hâte de les voir!

## TABLE DES MATIÈRES

|                                 |    |
|---------------------------------|----|
| Liste des pièces                | 4  |
| Avant de commencer l'assemblage | 9  |
| Guide étape par étape           | 11 |
| Données techniques              | 21 |
| Dépannage                       | 22 |
| Prendre soin de votre article   | 22 |
| Garantie                        | 23 |



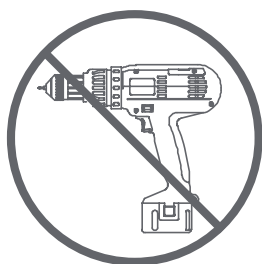
**AVERTISSEMENT! VEUILLEZ LIRE LES CONSIGNES DE SÉCURITÉ SUIVANTES AVANT D'ASSEMBLER ET D'UTILISER L'ARTICLE AFIN DE RÉDUIRE LE RISQUE DE BLESSURES GRAVES.**

- Veuillez lire et comprendre ce guide en entier avant de tenter d'assembler, d'utiliser ou d'installer le produit.
- L'assemblage et l'entretien de l'article ne doivent être effectués que par des adultes.
- Certaines pièces peuvent contenir des bords tranchants. Portez des gants de protection si nécessaire.
- Pour éviter tout dommage, placez toutes les pièces sur une surface plane pendant l'assemblage. Ajoutez une couche de protection de surface, le cas échéant.
- Ne laissez pas les enfants grimper ou sauter sur les meubles en raison de risques possibles d'accident, de blessure ou de mort. Un enfant grimpant un meuble peut le rendre trop lourd et causer son renversement.
- Tenez les enfants et les animaux à l'écart lors de l'assemblage.
- La réparation et le remplacement des pièces doivent être effectués par un technicien qualifié.
- Ce meuble est destiné à être utilisé uniquement avec le poids maximum indiqué. Une utilisation avec des charges plus lourdes que le poids maximum indiqué peut entraîner une instabilité et causer des blessures.
- Le non-respect de ces avertissements pourrait entraîner des blessures graves.

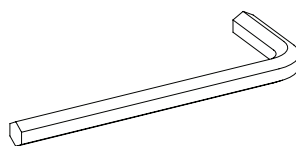
## OUTILS REQUIS



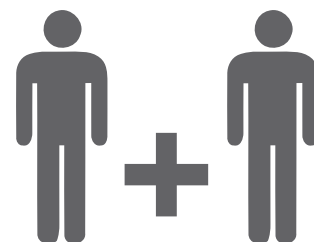
Tournevis à tête cruciforme n° 2  
Taille réelle de la tête



**REMARQUE :** Ne percez pas excessivement/soyez conscient du surperçage


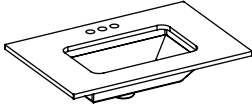

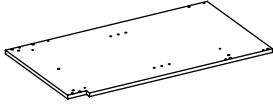




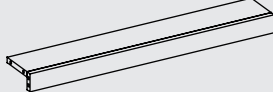
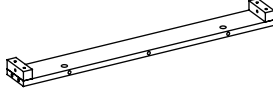
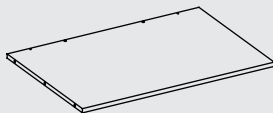
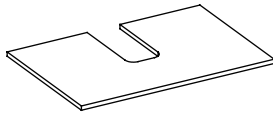
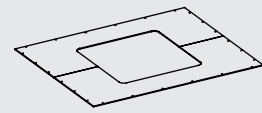


Clé hexagonale

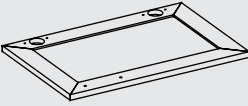
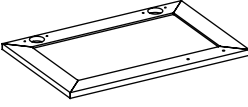
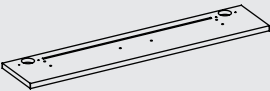
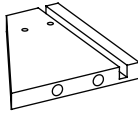
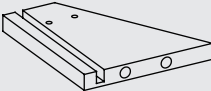




2 personnes

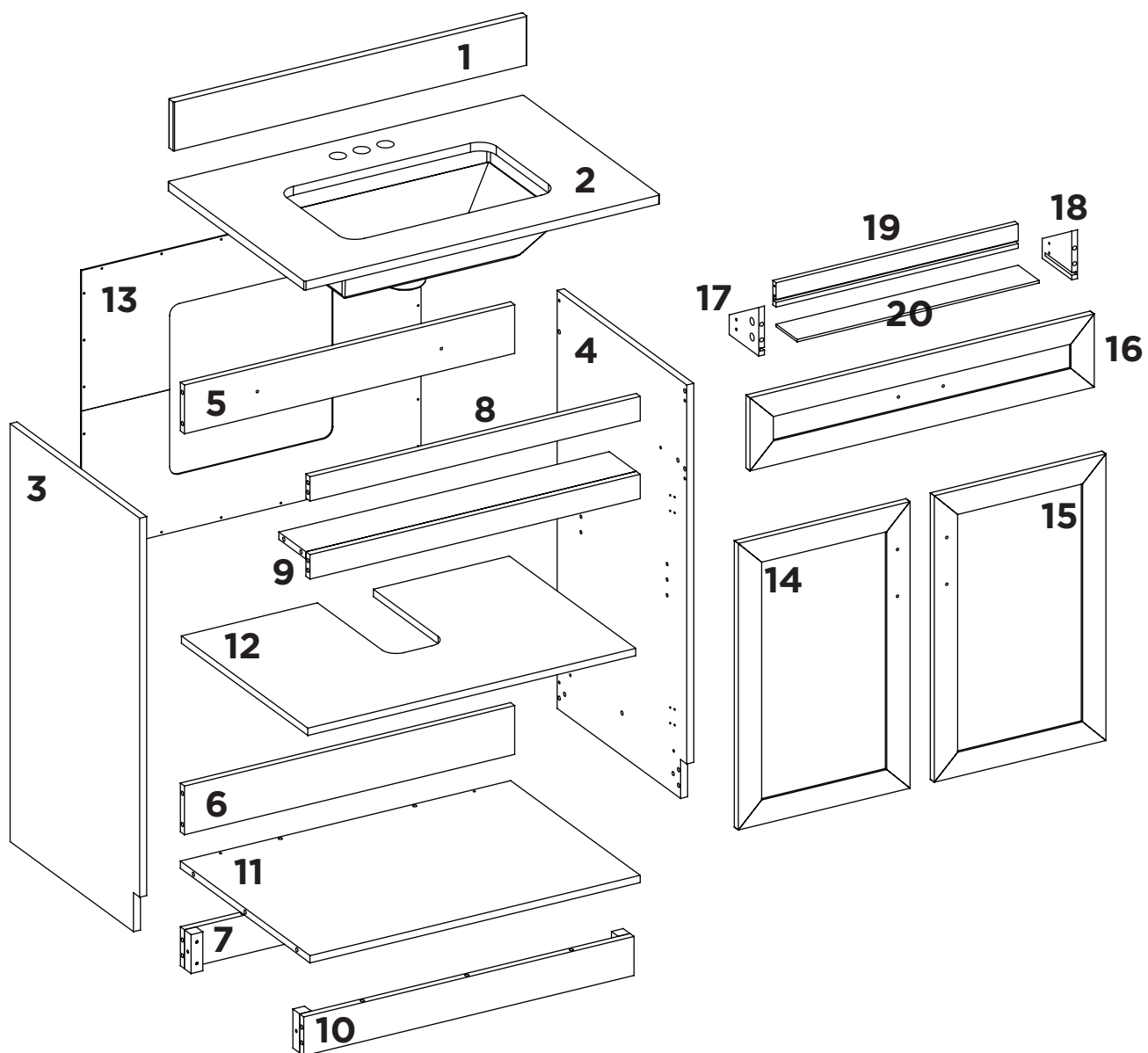
## LISTE DES PIÈCES

| ARTICLE | DESCRIPTION                  | ILLUSTRATION   | QUANTITÉ |
|---------|------------------------------|--|----------|
| 1       | Dosseret                     |    | 1        |
| 2       | Lavabo                       |    | 1        |
| 3       | Panneau latéral gauche       |    | 1        |
| 4       | Panneau latéral droit        |    | 1        |
| 5       | Traverse arrière supérieure  |    | 1        |
| 6       | Traverse avant intermédiaire |  | 1        |
| 7       | Traverse arrière inférieure  |  | 1        |
| 8       | Traverse avant supérieure    |  | 1        |
| 9       | Traverse avant intermédiaire |  | 1        |
| 10      | Traverse avant inférieure    |  | 1        |
| 11      | Panneau inférieur            |  | 1        |
| 12      | Tablette réglable            |  | 1        |
| 13      | Panneau arrière              |  | 1        |

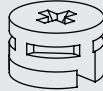
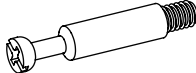

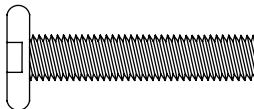
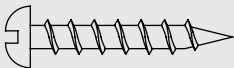
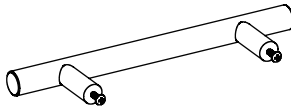

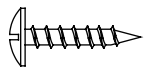

## LISTE DES PIÈCES

| ARTICLE | DESCRIPTION               | ILLUSTRATION   | QUANTITÉ |
|---------|---------------------------|--|----------|
| 14      | Porte gauche              |    | 1        |
| 15      | Porte droite              |    | 1        |
| 16      | Panneau avant de tiroir   |    | 1        |
| 17      | Tiroir gauche             |   | 1        |
| 18      | Tiroir droit              |    | 1        |
| 19      | Panneau arrière de tiroir |  | 1        |
| 20      | Fond du tiroir            |  | 1        |

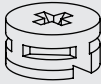
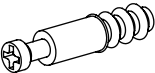
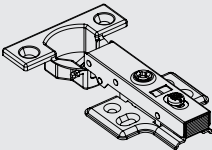
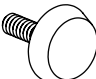
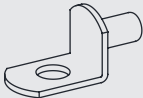




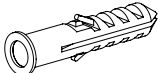
# VUE ÉCLATÉE



## LISTE DE LA QUINCAILLERIE

| ARTICLE | DESCRIPTION             | ILLUSTRATION   | QUANTITÉ |
|---------|-------------------------|--|----------|
| A       | Grande came             |   | 20       |
| B       | Grand boulon à came     |    | 20       |
| C       | Goujon de bois M8x30 mm |    | 22       |
| D       | Boulon 1/4 po x32 mm    |   | 4        |
| E       | Vis M4x25 mm            |  | 6        |
| F       | Poignée avec boulons    |  | 3        |
| G       | Vis M4x12 mm            |  | 36       |
| H       | Vis M3.5X15 mm          |  | 20       |
| I       | Vis M3.5X12 mm          |  | 4        |

## LISTE DE LA QUINCAILLERIE

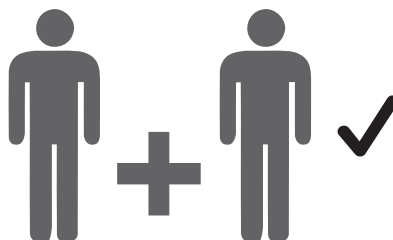
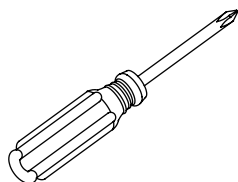
| ARTICLE | DESCRIPTION                 | ILLUSTRATION   | QUANTITÉ |
|---------|-----------------------------|--|----------|
| J       | Petite came                 |    | 4        |
| K       | Petit boulon à came         |    | 4        |
| L       | Charnière à fermeture lente |    | 6        |
| M       | Pied de nivellement         |   | 4        |
| N       | Taquet                      |  | 4        |
| O       | Clé hexagonale              |  | 1        |
| P       | Stylo de retouche           |  | 1        |
| Q       | Colle                       |  | 1        |
| R       | Vis M4x50 mm                |  | 2        |
| S       | l'ancrage de plastique      |  | 2        |



## AVANT DE COMMENCER L'ASSEMBLAGE

### ASSUREZ-VOUS QUE TOUTES LES PIÈCES SONT COMPRISSES

Comparez toutes les pièces aux listes de pièces et de quincaillerie et assurez-vous que vous disposez de tous les outils nécessaires pour l'assemblage.



### ASSEMBLEZ L'ARTICLE DANS UNE ZONE DÉGAGÉE

Placez toutes les pièces de la boîte sur le sol devant vous sur une surface propre, sèche et plane afin de protéger l'article pendant son assemblage.



### RETIREZ LES MATÉRIAUX D'EMBALLAGE

Remettez les matériaux d'emballage dans la boîte. Ne les jetez pas avant d'avoir terminé l'assemblage.



### LISEZ ATTENTIVEMENT CHAQUE ÉTAPE

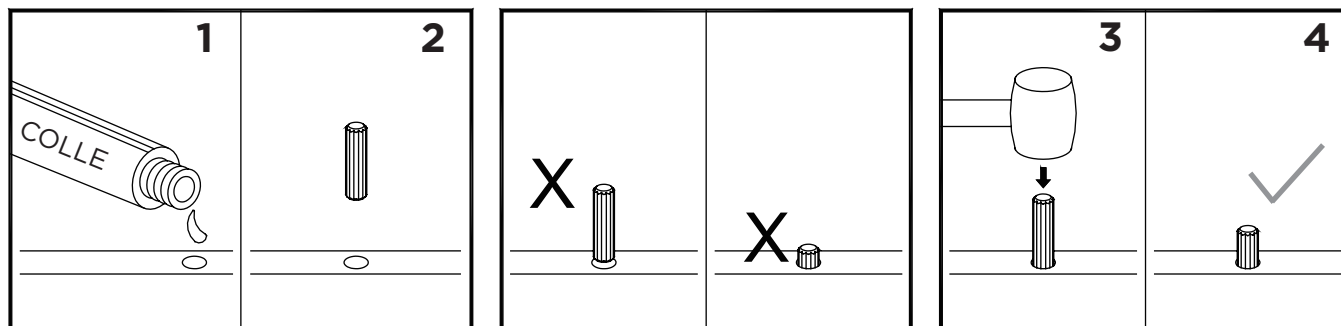
Assurez-vous de bien comprendre chaque étape. Si vous avez des questions, contactez le service à la clientèle CANVAS<sup>MD</sup> au 1 888 670-6684 (sans frais).



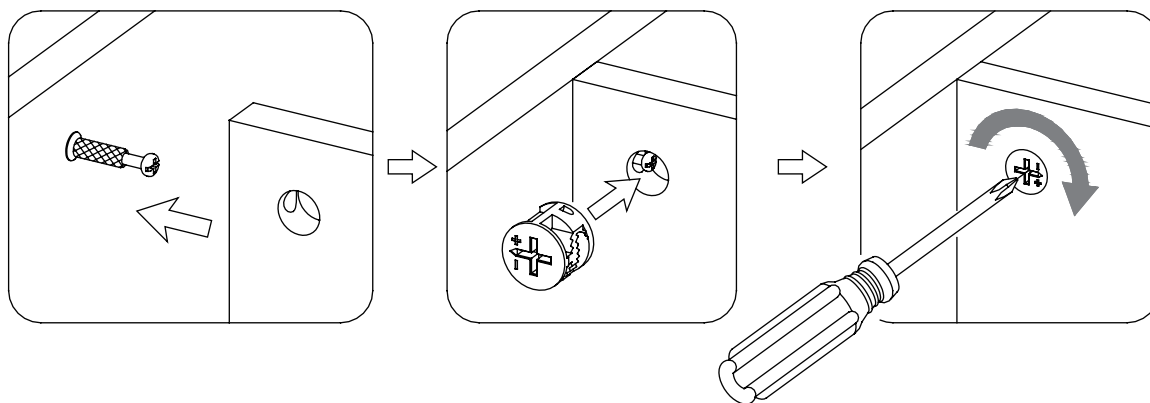
## AVANT DE COMMENCER L'ASSEMBLAGE

**REMARQUE** : IL EST TRÈS IMPORTANT D'UTILISER DE LA COLLE AVEC LES GOUJONS. L'EXCÈS DE COLLE PEUT ÊTRE ESSUYÉ AVEC UN LINGE HUMIDE.

Insérez le goujon à moitié en le frappant légèrement avec un maillet de caoutchouc SI NÉCESSAIRE.



## FONCTIONNEMENT DU SYSTÈME À CAME




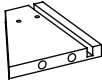
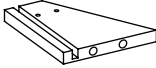


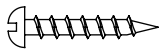
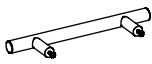


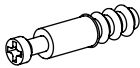
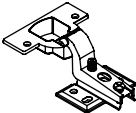
## FONCTIONNEMENT DU SYSTÈME À CAME

1. Vissez le boulon à came dans les petits trous prépercés sur le panneau. Alignez les panneaux à assembler de sorte que le boulon à came entre dans le trou prépercé sur le bord du deuxième panneau et dépasse dans le trou qui abritera la came à verrouillage.
2. Insérez la came à verrouillage dans le grand trou prépercé sur le panneau. Assurez-vous que la flèche sur la came à verrouillage est pointée vers le boulon à came.
3. Une fois le boulon à came connecté à l'intérieur de la came à verrouillage, prenez un tournevis à tête cruciforme et serrez-le en tournant dans le sens horaire.

Vous êtes maintenant prêt à assembler le produit.

## GUIDE ÉTAPE PAR ÉTAPE

### ÉTAPE 1

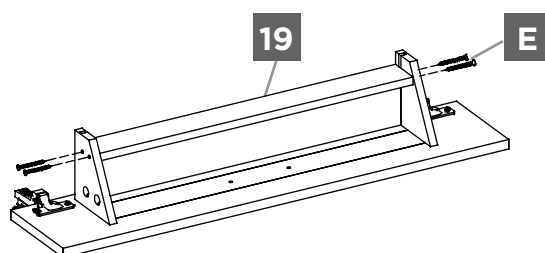
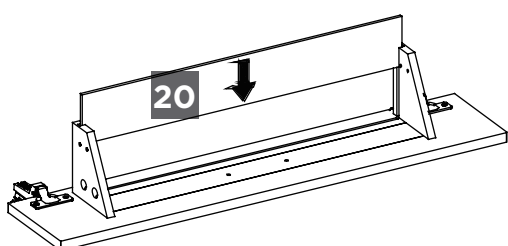
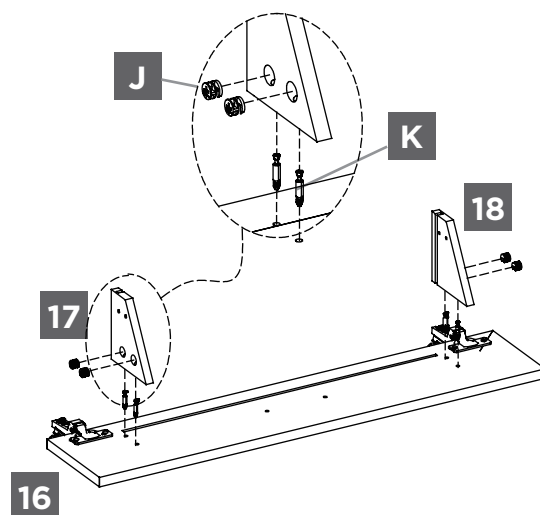
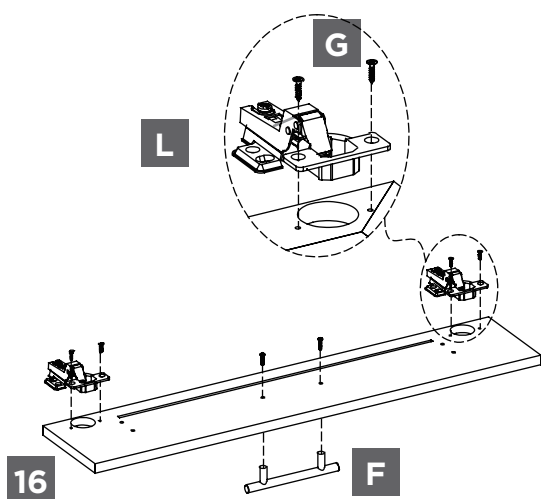
|   |   |   |   |  |   |   |
|---|---|---|---|--|---|---|
| <b>16</b> X1  | <b>17</b> X1  | <b>18</b> X1  | <b>19</b> X1  | <b>20</b> X1   | <b>E</b> X4   | <b>F</b> X1   |
|  |  |  |  |  |  |  |
| <b>G</b> X4   | <b>J</b> X4   | <b>K</b> X4   | <b>L</b> X2   |  |   |   |
|  |  |  |  |  |   |   |

Fixez les charnières à fermeture lente **L** à façade de tiroir **16** au moyen des vis M4x12mm **G**. Retirez les boulons préassemblés de la poignée **F**. Fixez la poignée de tiroir **F** à la façade de tiroir **16** au moyen des boulons précédemment retirés.

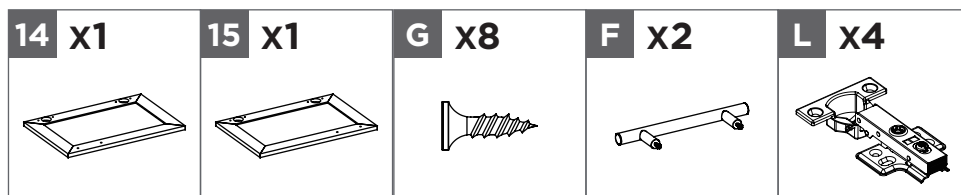
Fixez le tiroir gauche **17** et le tiroir droit **18** à la façade de tiroir **16** au moyen de petites cames **J** et de petits boulons à came **K**. Insérez le fond du tiroir **20** dans le panneau gauche de tiroir **17**, le panneau droit de tiroir **18** et la façade de tiroir **16**.

Insérez le dos de tiroir **19** dans le panneau gauche de tiroir **17** et le panneau droit de tiroir **18** au moyen des vis M4x25 mm **E**.

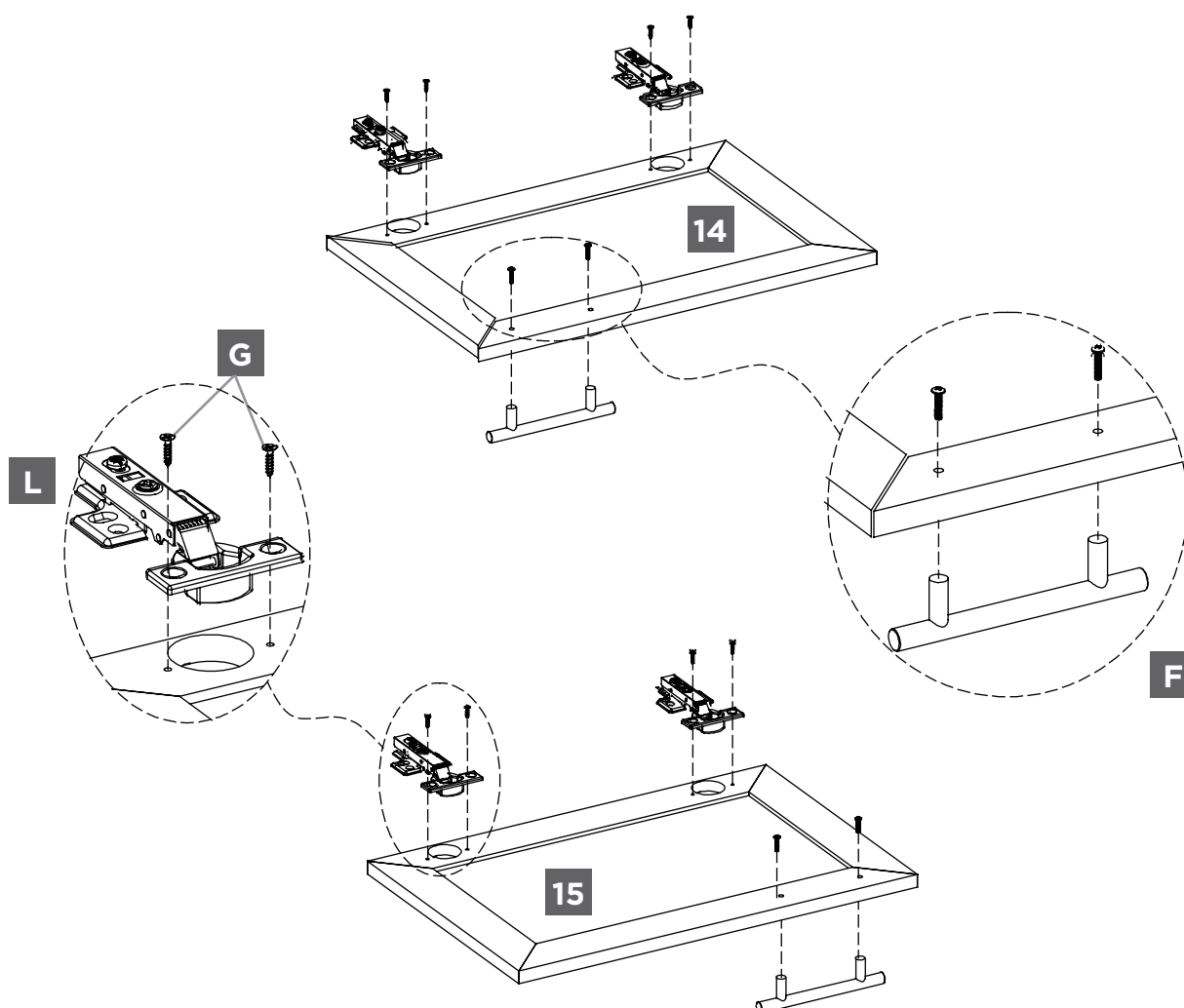
**Remarque** : Assurez-vous que les petits boulons à came **K** sont bien logés.



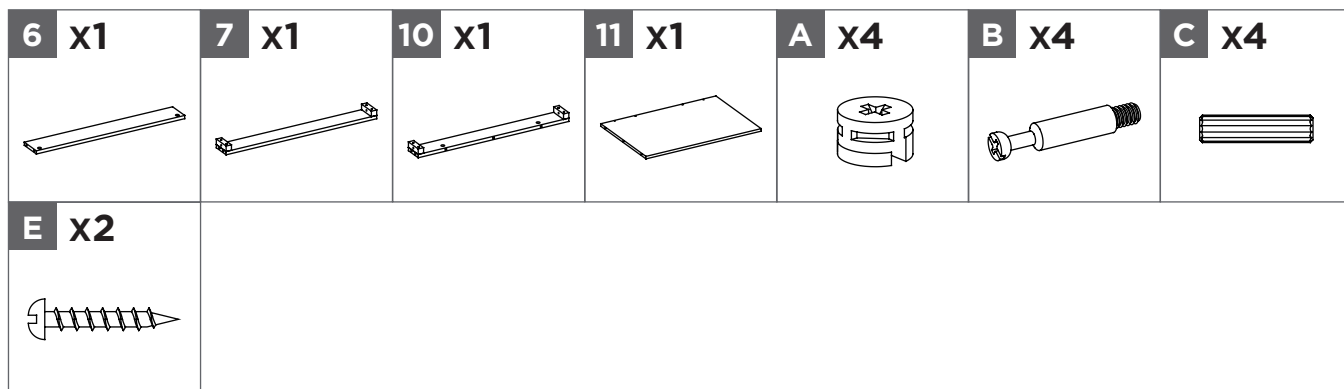
## ÉTAPE 2



Fixez les charnières à fermeture lente **L** à la porte gauche **14** et à la porte droite **15** au moyen des vis M4x12mm **G**. Retirez les boulons préassemblés de la poignée **F**. Fixez la poignée de tiroir **F** à la porte gauche **14** et à la porte droite **15** au moyen des boulons précédemment retirés.



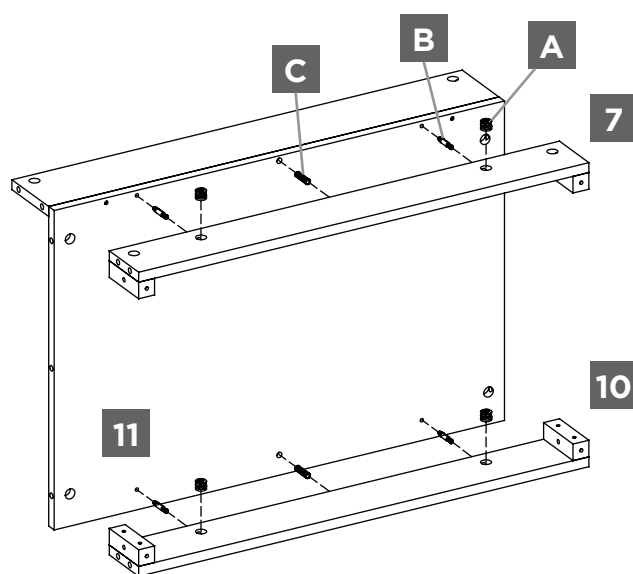
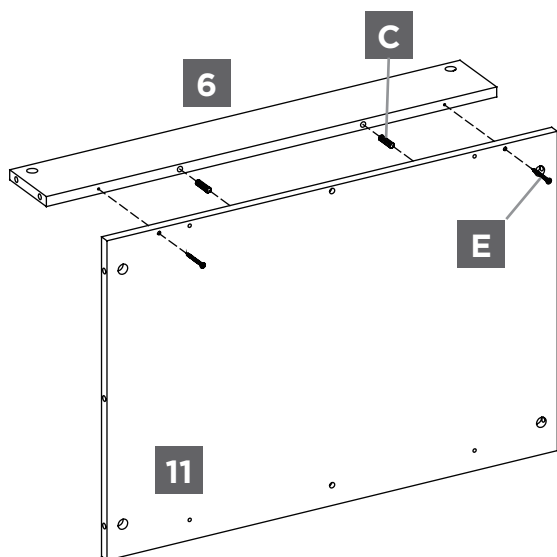
## ÉTAPE 3



Fixez la traverse arrière centrale **6** au panneau inférieur **11** au moyen des vis M4x25mm **E**.


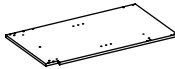


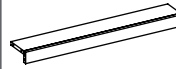

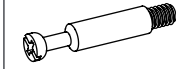



Fixez la traverse inférieure arrière **7** et la traverse avant inférieure **10** au panneau inférieur **11** au moyen des grands boulons à came **A**, des grands boulons à came **B** et des goujons de bois M8x30mm **C**.

**Remarque** : Assurez-vous que les grands boulons à came **B** sont bien logés.



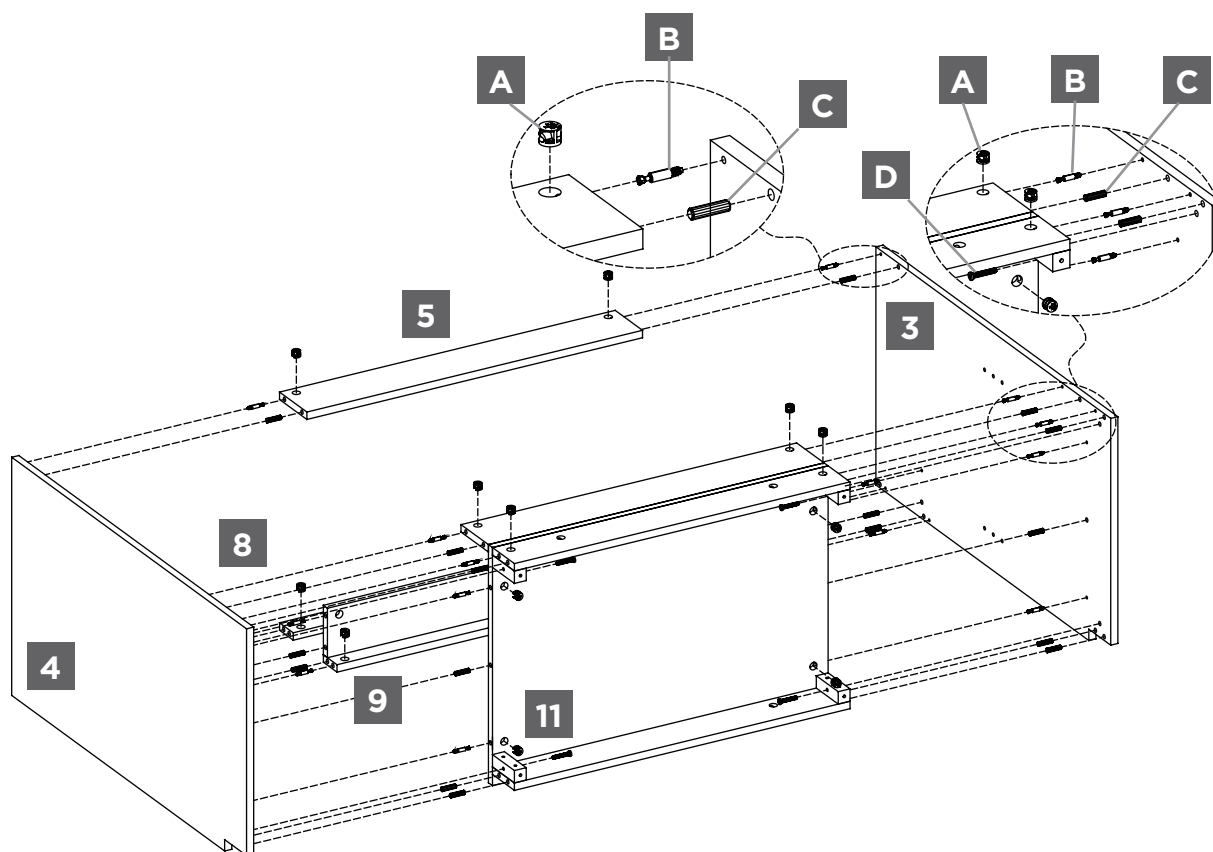
## GUIDE ÉTAPE PAR ÉTAPE

### ÉTAPE 4

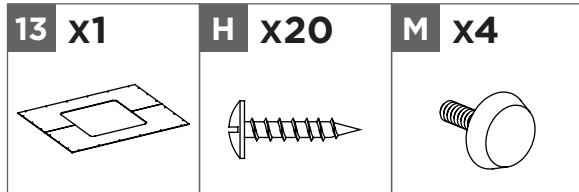
|   |   |   |   |  |   |   |
|---|---|---|---|--|---|---|
| <b>3</b> X1   | <b>4</b> X1   | <b>5</b> X1   | <b>8</b> X1   | <b>9</b> X1  | <b>A</b> X16  | <b>B</b> X16  |
|  |  |  |  |  |  |  |
| <b>C</b> X18  | <b>D</b> X4   | <b>O</b> X1   |   |  |   |   |
|  |  |  |   |  |   |   |

Fixez la traverse supérieure arrière **5**, la traverse avant supérieure **8**, la traverse avant de milieu **9** et le panneau inférieur au panneau latéral gauche **3** et au panneau latéral droit **4** au moyen des cames **A**, des boulons à came **B**, des goujons de bois M8x30mm **C** et des boulons de 1/4 po X 30mm **D**.

Remarque : Assurez-vous que les grands boulons à came **B** sont bien logés.

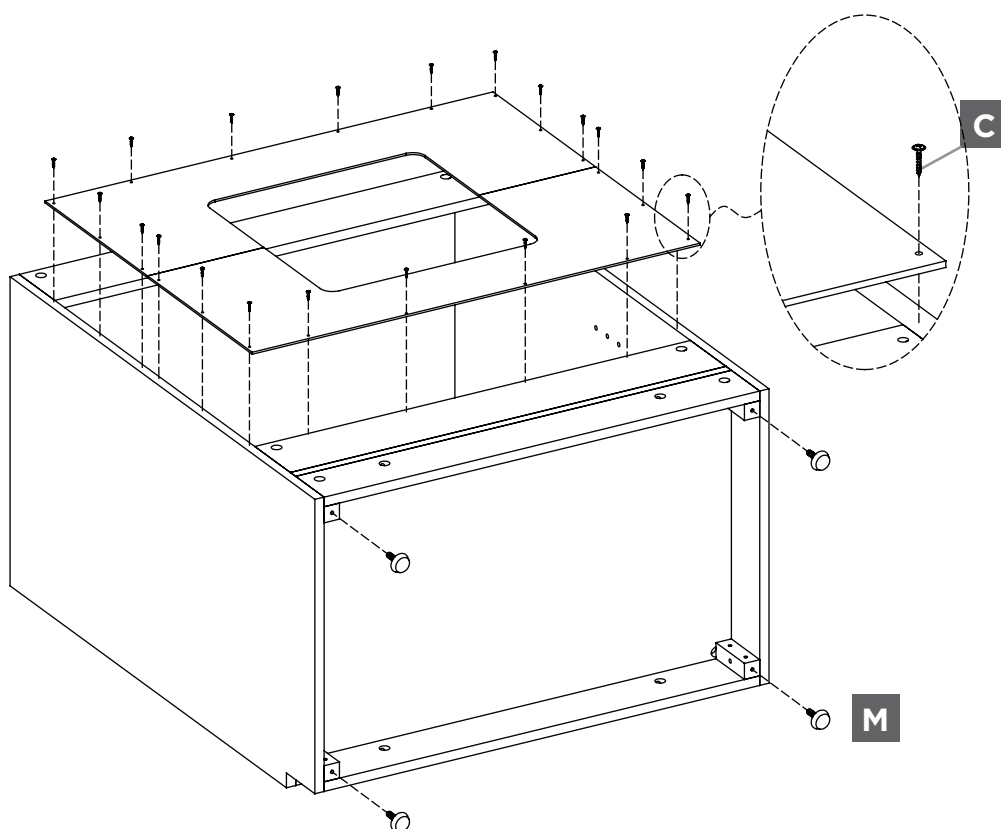


## ÉTAPE 5

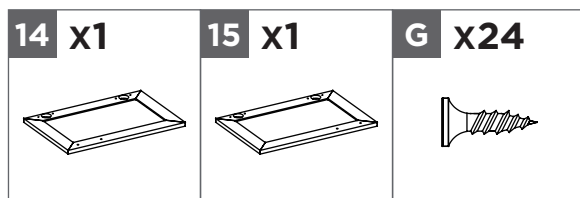


Fixez le panneau arrière **13** à l'arrière du meuble-lavabo au moyen des vis M3,5x15mm **H**.

Fixez les pieds de nivellement **M** aux coins inférieurs du meuble-lavabo.

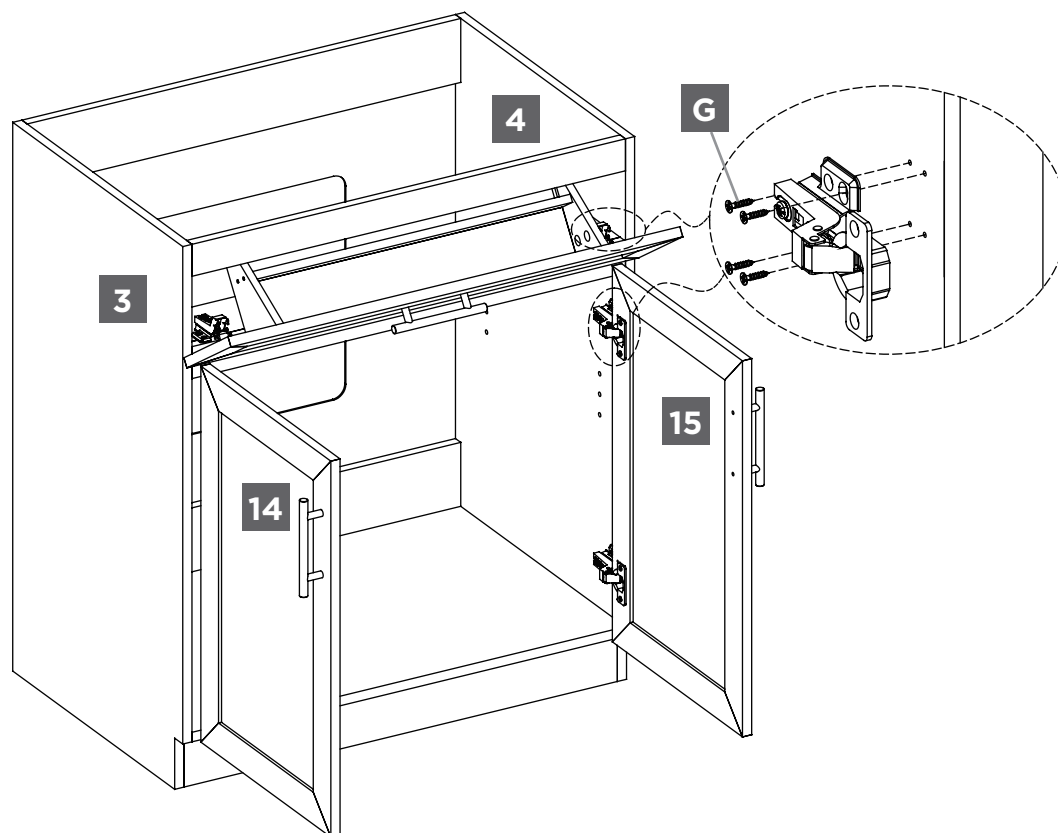


## ÉTAPE 6



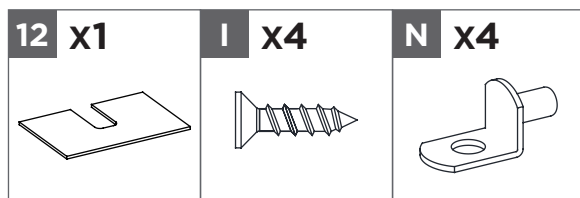
Fixez la porte gauche **14**, la porte droite **15** et le tiroir et fixez-les au meuble-lavabo au moyen des vis M4x12mm **G** en utilisant les avant-trous comme guide.

Ouvrez et fermez les portes pour vous assurer qu'elles sont bien alignées et se ferment correctement. Au besoin, ajustez les vis pour un bon ajustement.



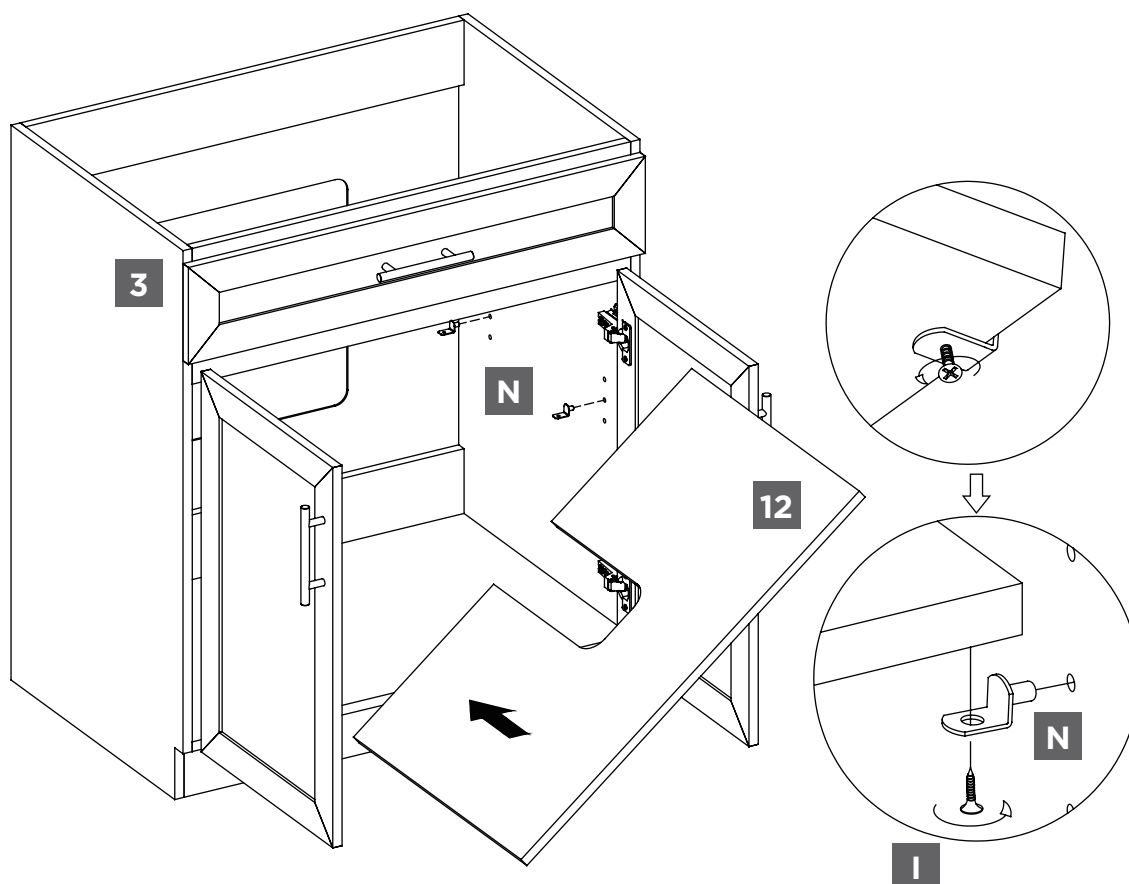


## ÉTAPE 7

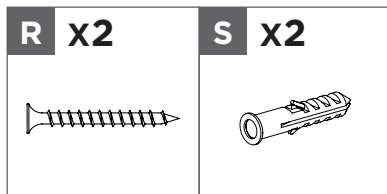


Insérez les taquets **N** dans les trous désirés sur les côtés du meuble. Assurez-vous de placer les taquets au même niveau afin que la tablette ne soit pas inclinée.

Inclinez et posez la tablette réglable **12** sur les taquets **N**. Fixez-la aux taquets au moyen des vis M3.5x12mm **I**.



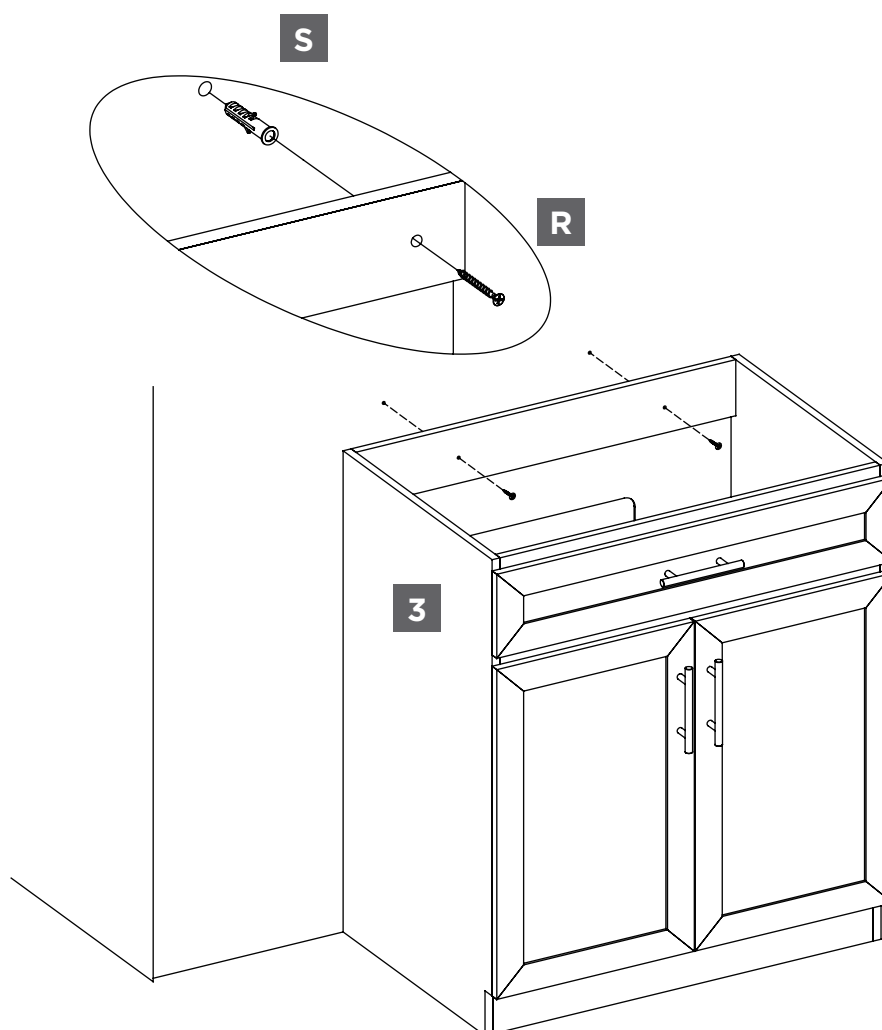
## ÉTAPE 8



Déterminez l'endroit où le meuble doit être placé et marquez sur le mur l'emplacement du trou de la vis du support de montage.

Percez un trou de 9,53 mm (3/8 po) dans le mur. Insérez l'ancrage de plastique **S** dans le trou et tapez délicatement jusqu'à ce que l'ancrage soit contre la surface du mur.

Fixez la commode au mur avec des vis M4x50mm **R**.

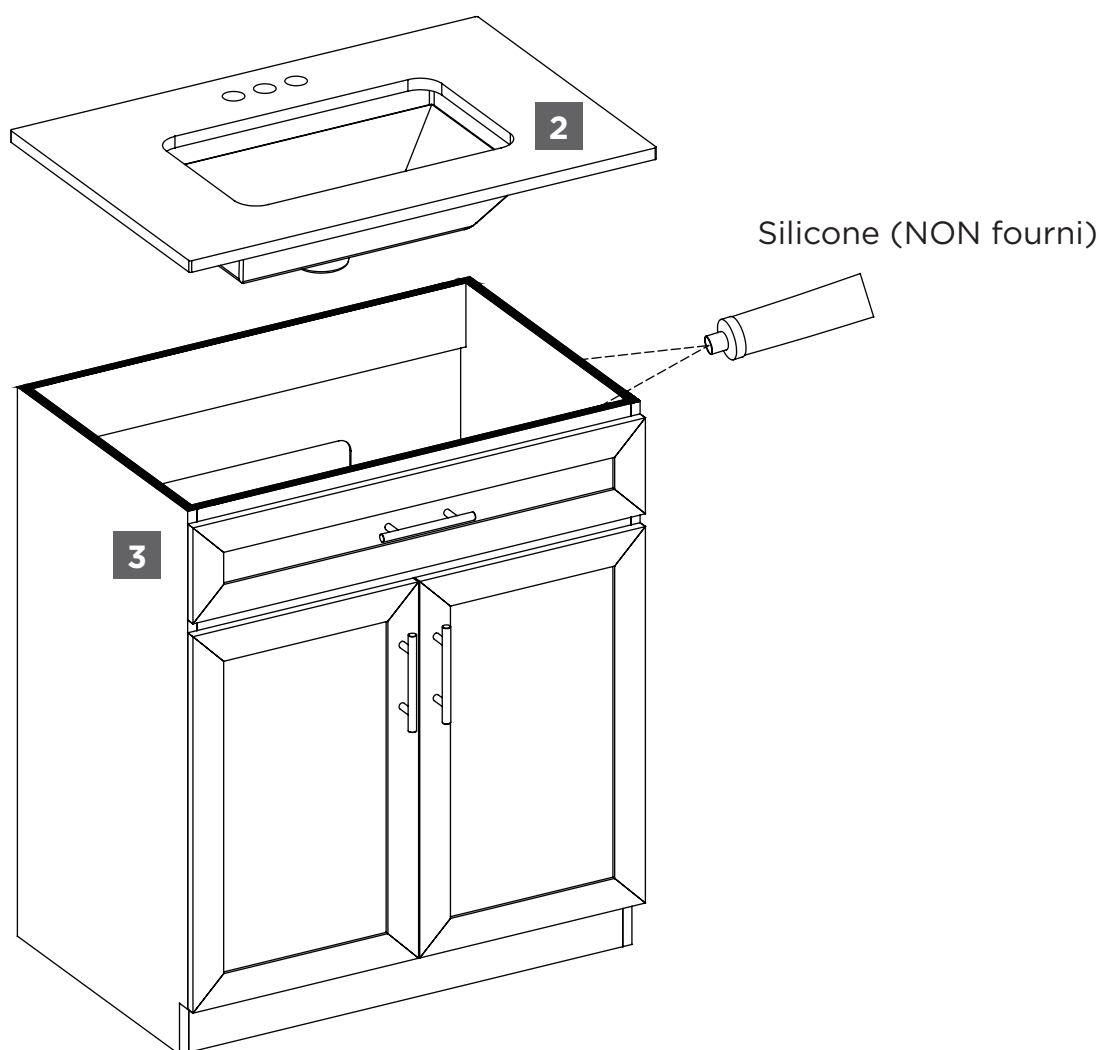


## ÉTAPE 9

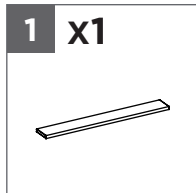
2 x1



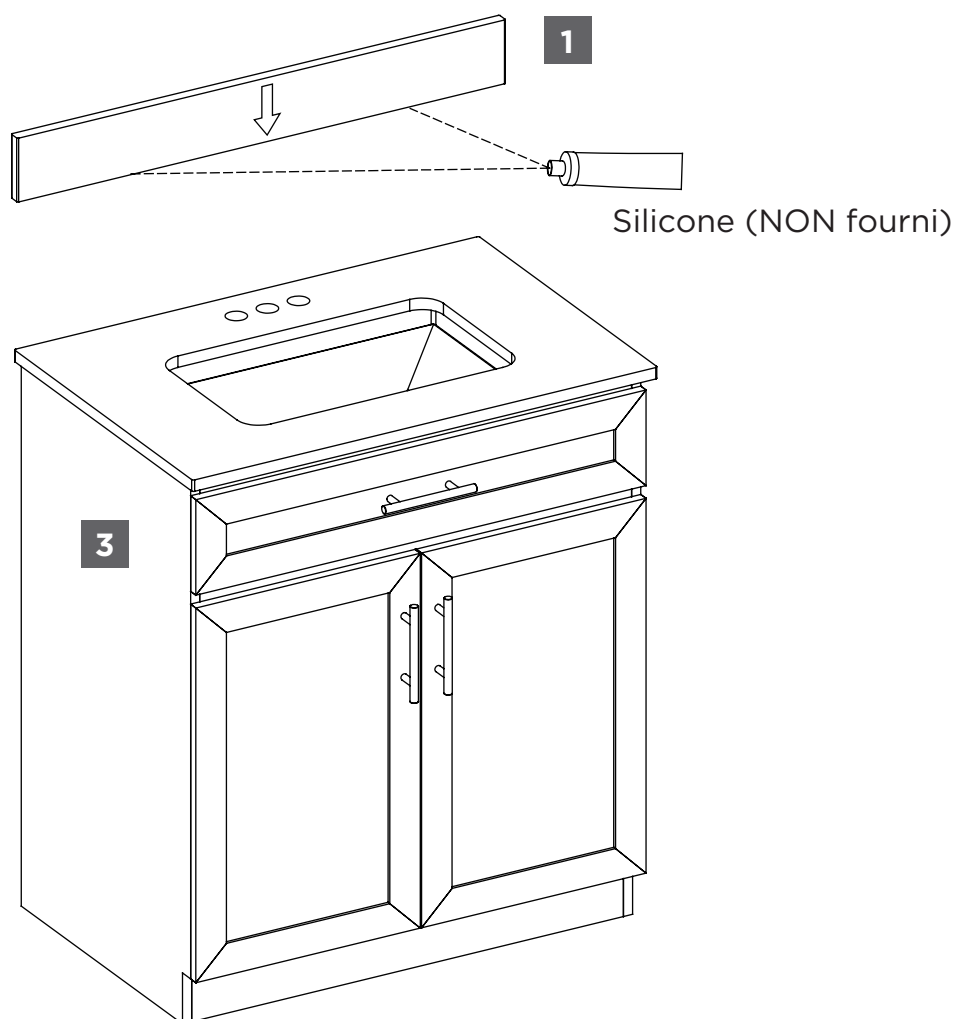
Appliquez du silicone autour du bord supérieur du meuble-lavabo pour fixer le lavabo **2**.



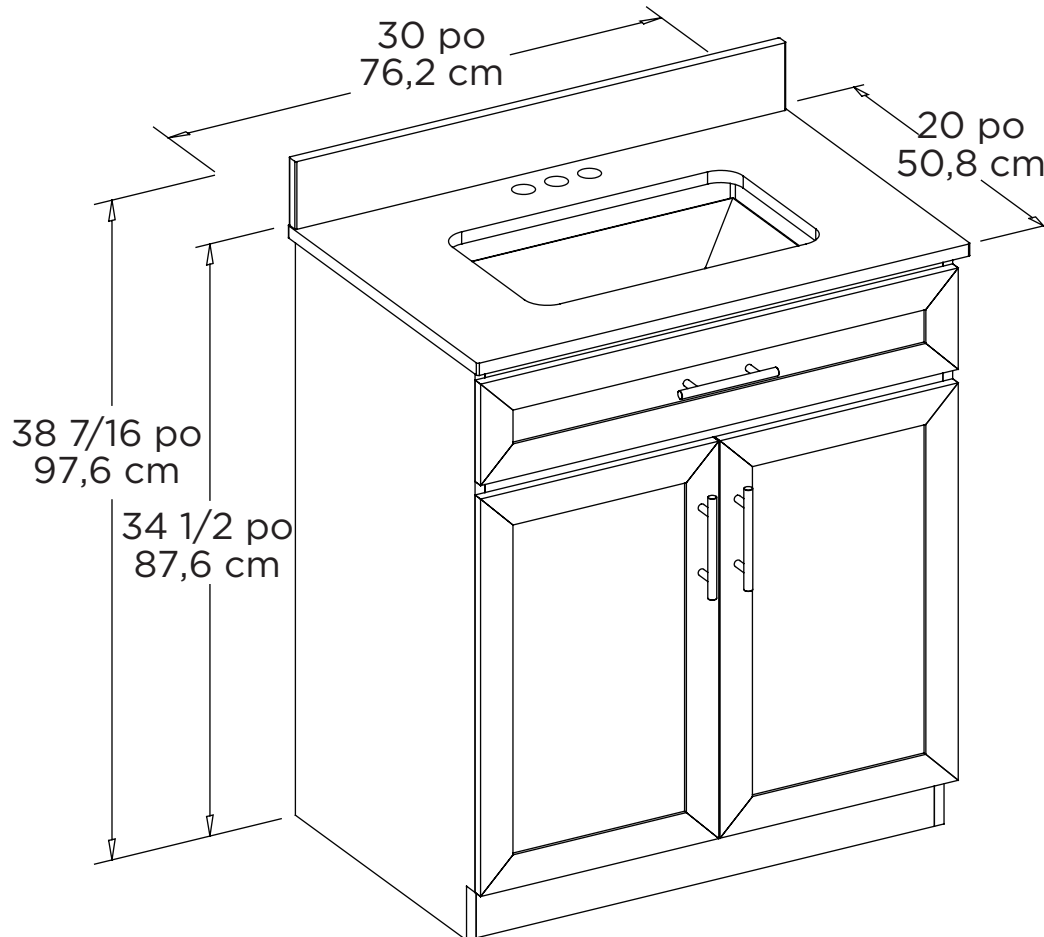
## ÉTAPE 10



Appliquez du silicone le long du bord inférieur du dosseret **1** et fixez-le à l'assemblage du meuble-lavabo.



## DONNÉES TECHNIQUES



### FICHE TECHNIQUE

**DIMENSION DE L'ARTICLE (larg. x P. x H.)**

30 x 20 x 34 1/2 po

76,2 x 50,8 x 87,6 cm

**POIDS DE L'ARTICLE**

108 lb

49 kg

**CAPACITÉ DE CHARGE MAXIMALE**

200 lb

90,7 kg

## RÉSOUTRE LES PROBLÈMES DE L'ASSEMBLAGE



**AVANT DE  
RETOURNER  
VOTRE ARTICLE**

**VOUS RENCONTREZ DES PROBLÈMES?  
LAISSEZ-NOUS VOUS AIDER!**

**NUMÉRO SANS FRAIS :  
1 888 670-6684**

Si vous avez des questions concernant votre produit ou avez besoin d'une assistance au titre de la garantie, veuillez appeler notre service d'assistance à la clientèle.



**APPELEZ-NOUS;  
NOUS POUVONS  
VOUS AIDER**

## DÉPANNAGE

| PROBLÈME   | CAUSES POSSIBLES                 | SOLUTION   |
|--|----------------------------------|--|
| Les portes du meuble-lavabo frottent contre une autre surface. | Le plancher n'est pas de niveau. | Ajustez les pieds de nivellement pour mettre d'aplomb l'ensemble du meuble-lavabo. |
| Il y a un écart inégal entre les portes et l'armoire.          | Le plancher n'est pas de niveau. | Ajustez les pieds de nivellement pour mettre d'aplomb l'ensemble du meuble-lavabo. |

## PRENDRE SOIN DE VOTRE ARTICLE

- 1 Rincez fréquemment le lavabo à l'eau claire et chaude.
- 2 Épongez rapidement les éclaboussures et lavez la surface avec du savon doux et de l'eau tiède.
- 3 Assurez-vous périodiquement que tous les écrous et boulons sont bien serrés. Au besoin, resserrez-les.
- 4 Conseils d'utilisation de la plume-retouche (P) : Pour les rayures, appliquez le colorant dans le sens des rayures; pour les zones usées, appliquez le colorant dans le sens du fil du bois. Retirez rapidement l'excès de colorant avec un chiffon doux.

## GARANTIE



### GARANTIE LIMITÉE DE 1 AN\*

Cet article CANVAS<sup>MD</sup> comprend une garantie de un (1) an contre les défauts de fabrication et de matériau(x). Distribution Trifeuil consent à remplacer l'article défectueux lorsqu'il est retourné par l'acheteur original, accompagné de la preuve d'achat, au cours de la période de garantie convenue. Exclusion : usure ou bris causés par un usage abusif ou inapproprié.

N° D'ARTICLE : 063-6344-6

Fabriqué au Vietnam

Importé par Trileaf Distribution Trifeuil Toronto, Canada M4S 2B8

**CANVAS<sup>MC</sup>**

INSPIRÉ PAR LE CANADA

