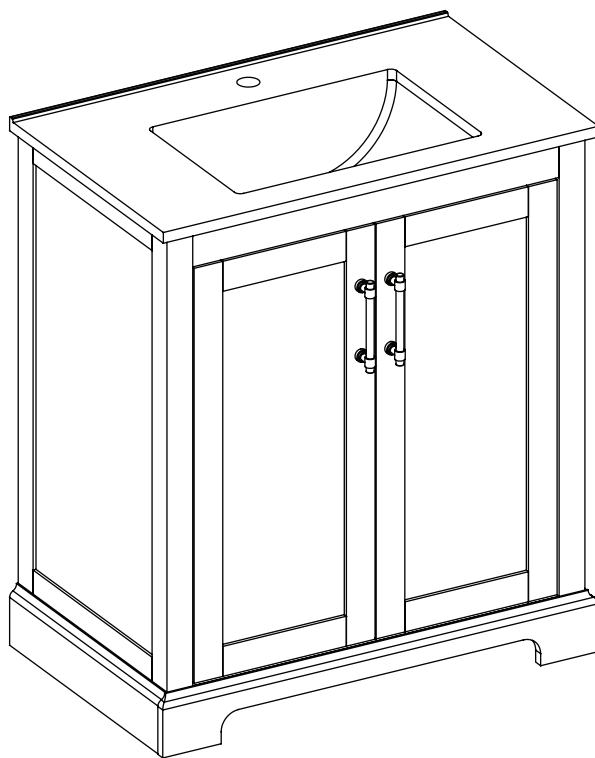


CANVAS^{TM/MC}

MAHONE

29 7/8" (75.9 CM) BLACK BATHROOM VANITY

PRODUCT NO. 063-6379-4



ASSEMBLY INSTRUCTIONS



HAVING TROUBLE?

TOLL-FREE:

1-888-670-6684

IMPORTANT: Please read this manual carefully before beginning assembly of this product. Keep this manual for future reference.

CANVAS™

INSPIRED BY CANADA



To the trend seekers and design mavens, **CANVAS™** is the furniture and décor brand that helps you imagine and create a space you can be proud of.

That's because **CANVAS™** offers style with ease with products that are **made for real life and Canadian inspired.**

We would love to hear from you and welcome your thoughtful feedback. Visit our website at **canadiantire.ca** to tell us about your experience, and share your photos with us using **#myCANVASstyle.**

Show us how you bring **CANVAS™** products to life. We can't wait to see!

TABLE OF CONTENTS

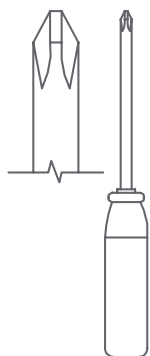
Parts List	4
Before You Begin Assembly	9
Step-by-step Guide	10
Technical Data	18
Troubleshooting	19
Caring for Your Item	19
Warranty	20



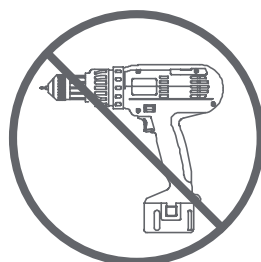
WARNING! TO REDUCE THE RISK OF SERIOUS INJURY, READ THE FOLLOWING SAFETY INSTRUCTIONS BEFORE ASSEMBLING AND USING THE PRODUCT.

- Please read and understand this entire manual before attempting to assemble, operate, or install the product.
- Any assembly or maintenance of the product must be carried out by adults only.
- Some parts may contain sharp edges. Wear protective gloves if necessary.
- To prevent damage, place all parts on a level surface during assembly. Add a layer of protective surface if needed.
- Do not allow your children to climb or jump on furniture due to possible accident, injury or death. A child climbing on a piece of furniture can make it top-heavy and cause the furniture to tip over.
- Keep children and pets away during assembly.
- This unit is intended for use only within the maximum weight indicated. Use with loads heavier than the maximum weight indicated may result in instability causing possible injury.
- Failure to follow these warnings could result in serious injury.

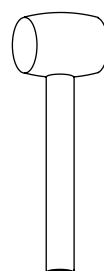
TOOLS REQUIRED



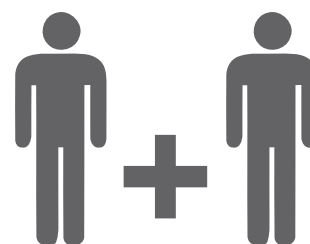
No. 2 Cross-head Screwdriver
Tip Shown Actual Size



NOTE: Do not over-drill/
be aware of over-drilling

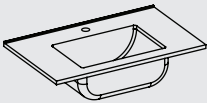
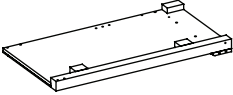
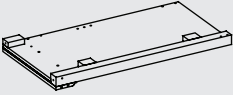
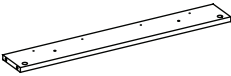
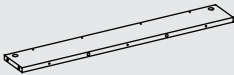
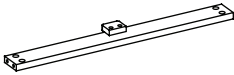

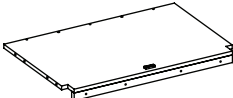
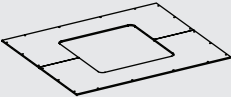
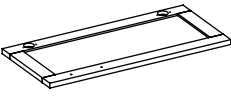
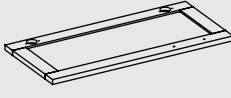
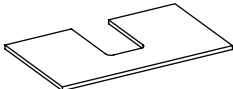


Rubber
Mallet

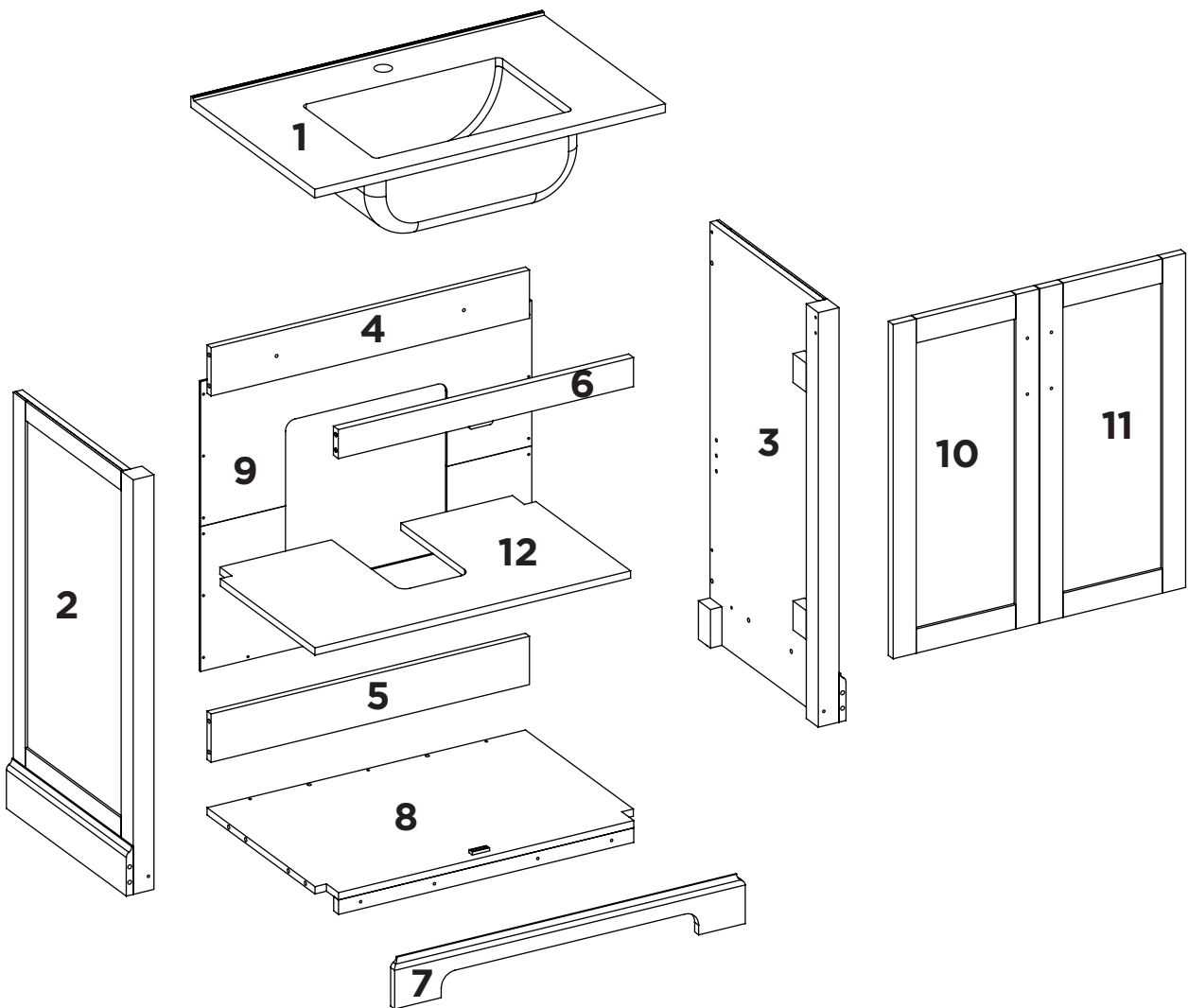


2 People


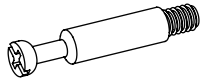

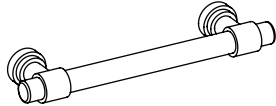
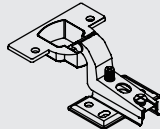

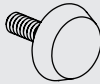
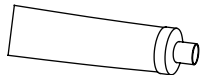
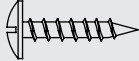
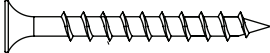

PARTS LIST

ITEM	DESCRIPTION	THUMBNAIL	QUANTITY
1	Vanity Top		1
2	Side Panel Left		1
3	Side Panel Right		1
4	Upper Back Stretcher		1
5	Lower Back Stretcher		1
6	Upper Front Stretcher		1
7	Lower Molding		1
8	Bottom Panel		1
9	Back Panel		1
10	Left Door		1
11	Right Door		1
12	Adjustable Shelf		1

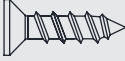
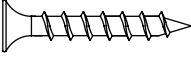
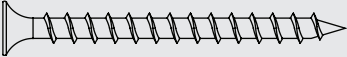
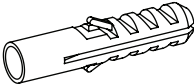
EXPLODED VIEW



HARDWARE LIST

ITEM	DESCRIPTION	THUMBNAIL	QUANTITY
A	Cam Lock		12
B	Cam Bolt		12
C	M8x30 mm Wood Dowel		14
D	Handle with Bolts		2
E	Slow Close Hinge		4
F	M4x12 mm Screw		24
G	Leveller		4
H	Glue		1
I	M3.5x15 mm Screw		20
J	M4x35 mm Screw		5
K	Shelf Support		4

HARDWARE LIST

ITEM	DESCRIPTION	THUMBNAIL	QUANTITY
L	M3.5x12 mm Screw		4
M	M3.5x25 mm Screw		4
N	M4x50 mm Screw		2
O	Plastic anchor		2

BEFORE YOU BEGIN ASSEMBLY

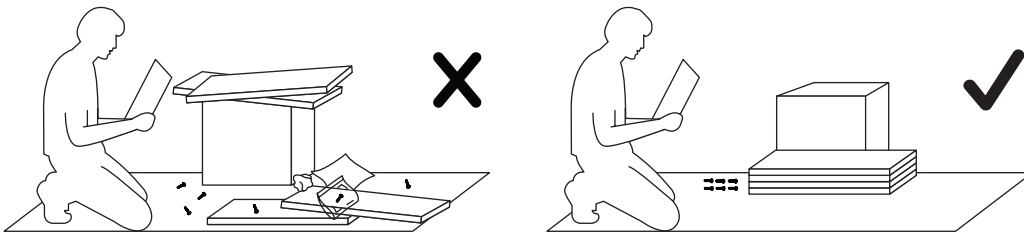
MAKE SURE ALL PARTS ARE PRESENT

Compare all pieces to the parts and hardware lists, and make sure you have all tools required for assembly.



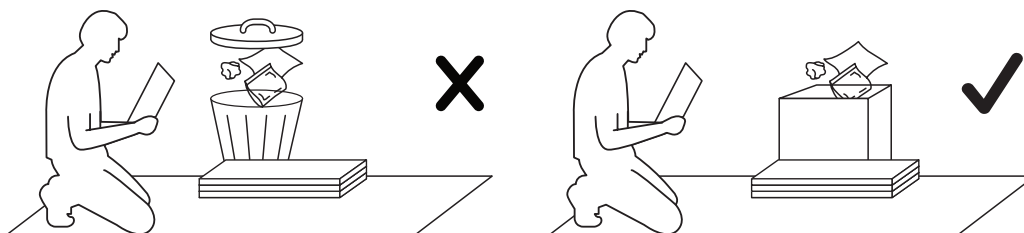
ASSEMBLE IN A CLEARED AREA

Place all parts from the box on the floor in front of you on a clean, dry, level surface to protect the product as it is being built.



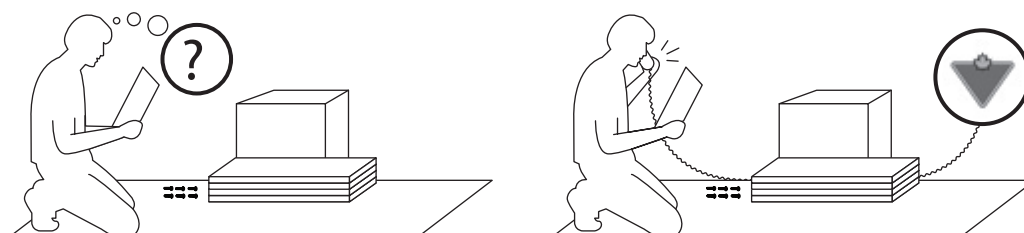
REMOVE PACKAGING MATERIALS

Place packing materials back in the box. Do not dispose of packaging materials until assembly is complete.



READ EACH STEP CAREFULLY

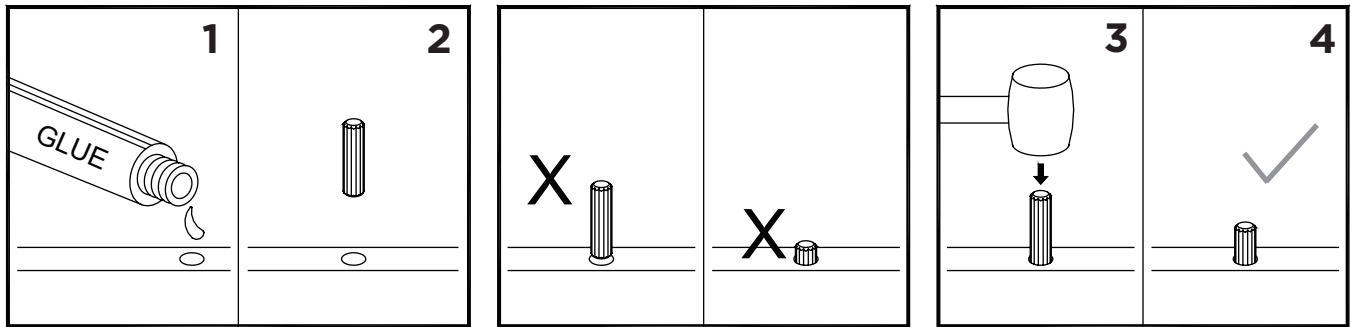
Make sure you understand each step. If you have any questions, contact CANVAS™ customer service at 1-888-670-6684 (toll free).



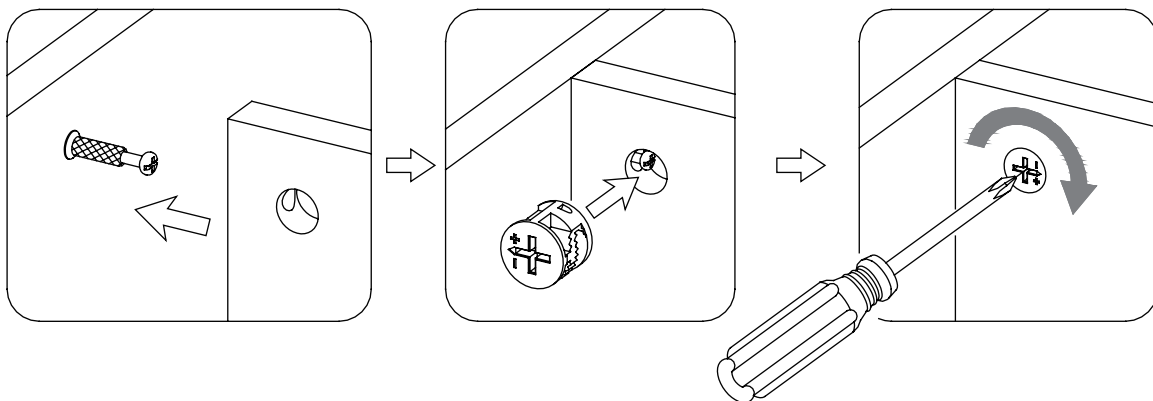
BEFORE YOU BEGIN ASSEMBLY

NOTE: IT IS VERY IMPORTANT TO USE GLUE WITH DOWELS. EXCESS GLUE CAN BE WIPED OFF WITH DAMP CLOTH.

Insert dowel at least half way by tapping lightly with a rubber mallet IF NECESSARY. Take caution not to strike mallet at an angle—this can cause the dowel to snap or break.



CAM LOCK SYSTEM OPERATION

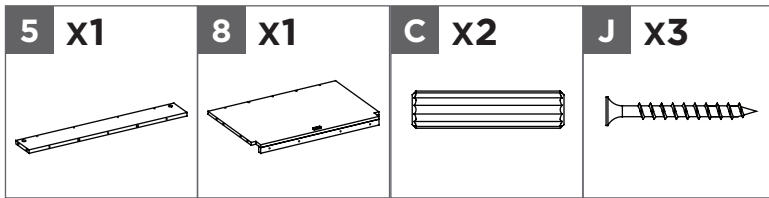


1. Screw cam bolt into the pre-drilled small holes on panel. Align the panels to be joined so that the cam bolt goes into the pre-drilled hole on the edge of the second panel and protrudes into the hole that will house the cam lock.
2. Insert the cam lock into pre-drilled large hole on panel. Make sure arrow on the cam lock is pointed toward the cam bolt.
3. Once the cam bolt is connected inside cam lock, take a cross-head screwdriver and tighten the cam lock by turning clockwise.

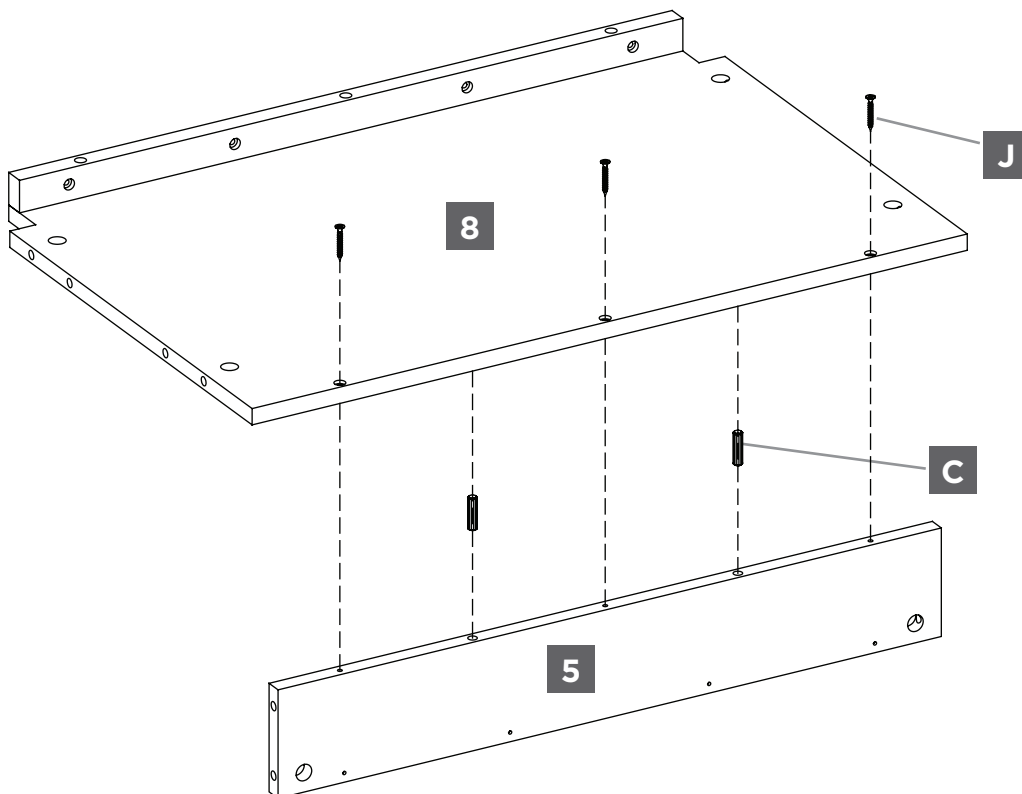
You are now ready to assemble the product.

STEP-BY-STEP GUIDE

STEP 1

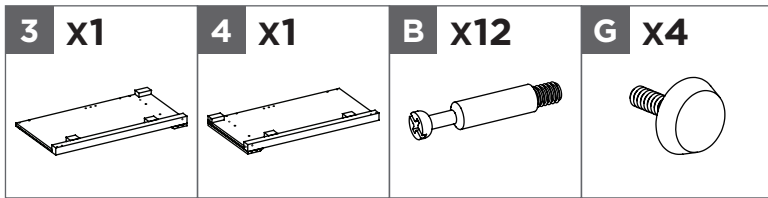


Attach lower back stretcher **5** to Bottom panel **8** using M8x30 mm wood dowels **C** and M4x35 mm screws **J**.



STEP-BY-STEP GUIDE

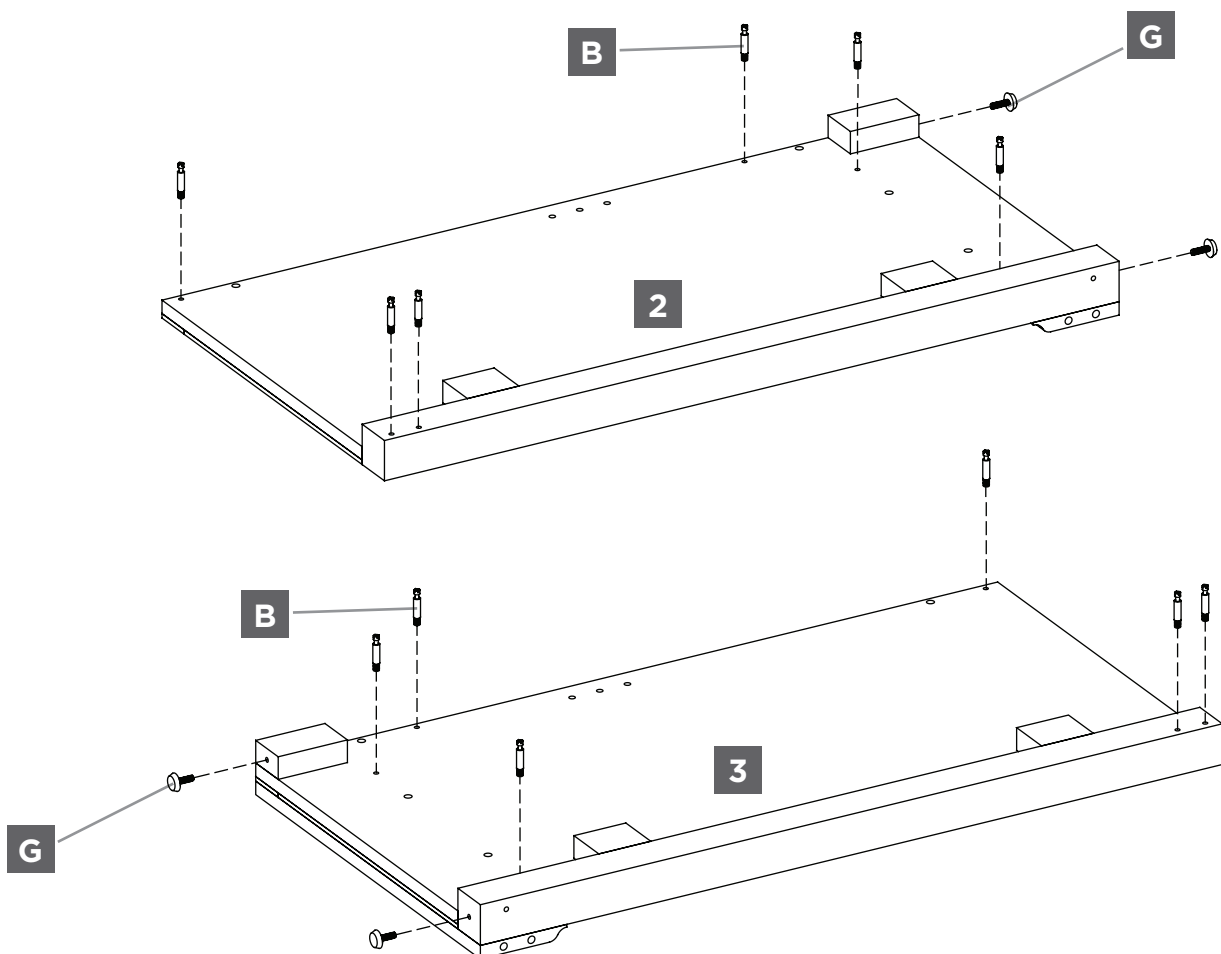
STEP 2



Securely screw cam bolts **B** into the designated small holes on the side panel left **2** and side panel right **3** using a cross-head screwdriver.

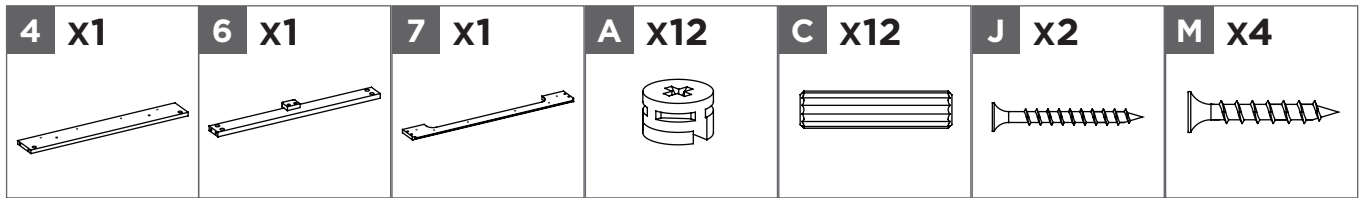
Note: Make sure cam bolts **B** are completely seated.

Attach levellers **G** to the base of side panel left **2** and side panel right **3**.



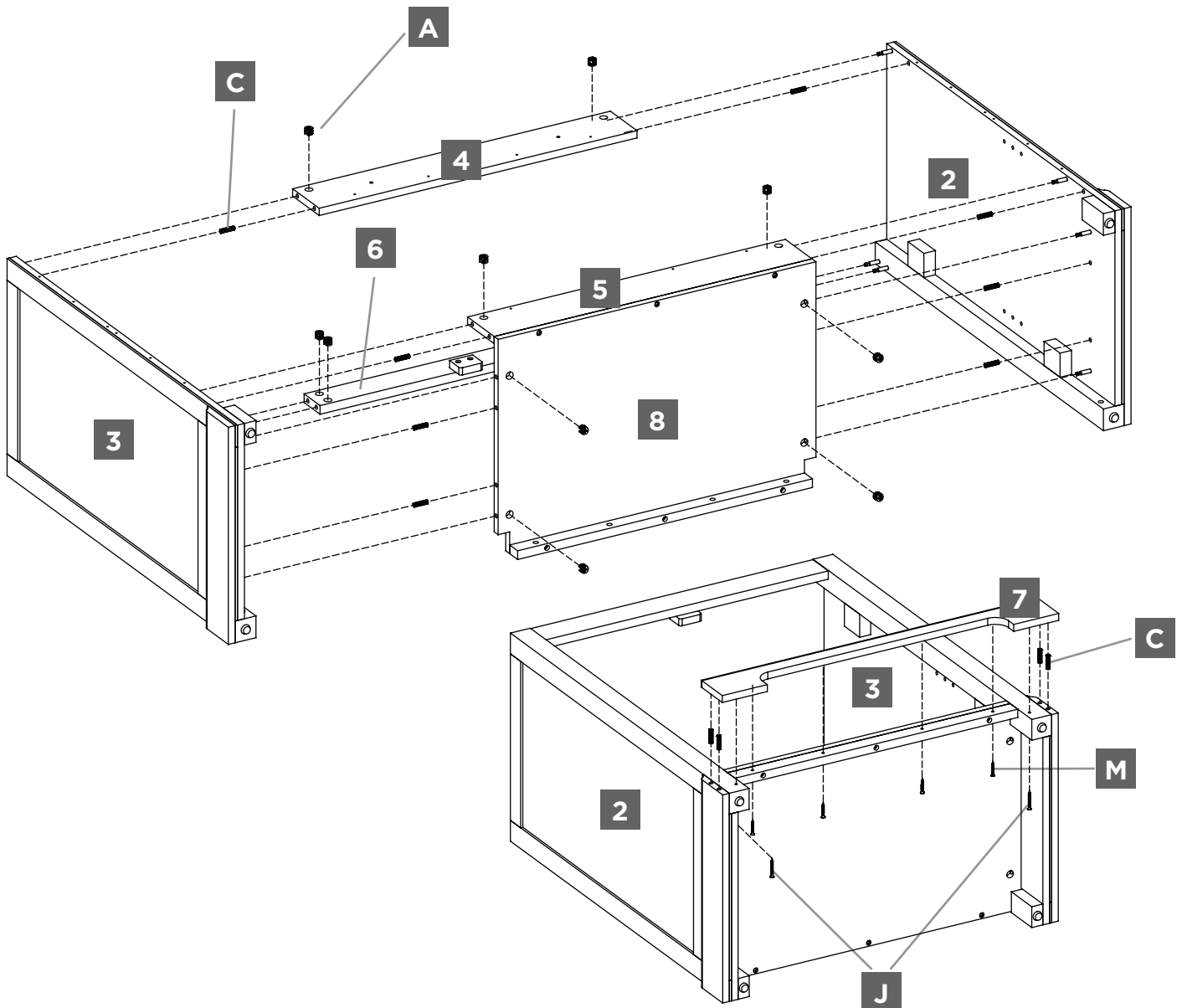
STEP-BY-STEP GUIDE

STEP 3



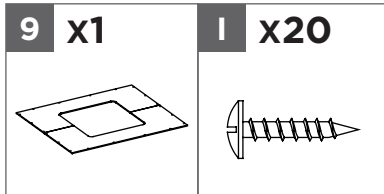
Attach upper back stretcher **4**, upper front stretcher **6** and bottom panel assembly to side panel left **2** and side panel right **3** using cam locks **A** and M8x30 mm wood dowels **C**.

Attach lower molding **7** to assembly using M8x30 mm wood dowels **C**, M4x35mm screws **J** and M3.5x25mm screws **M**.

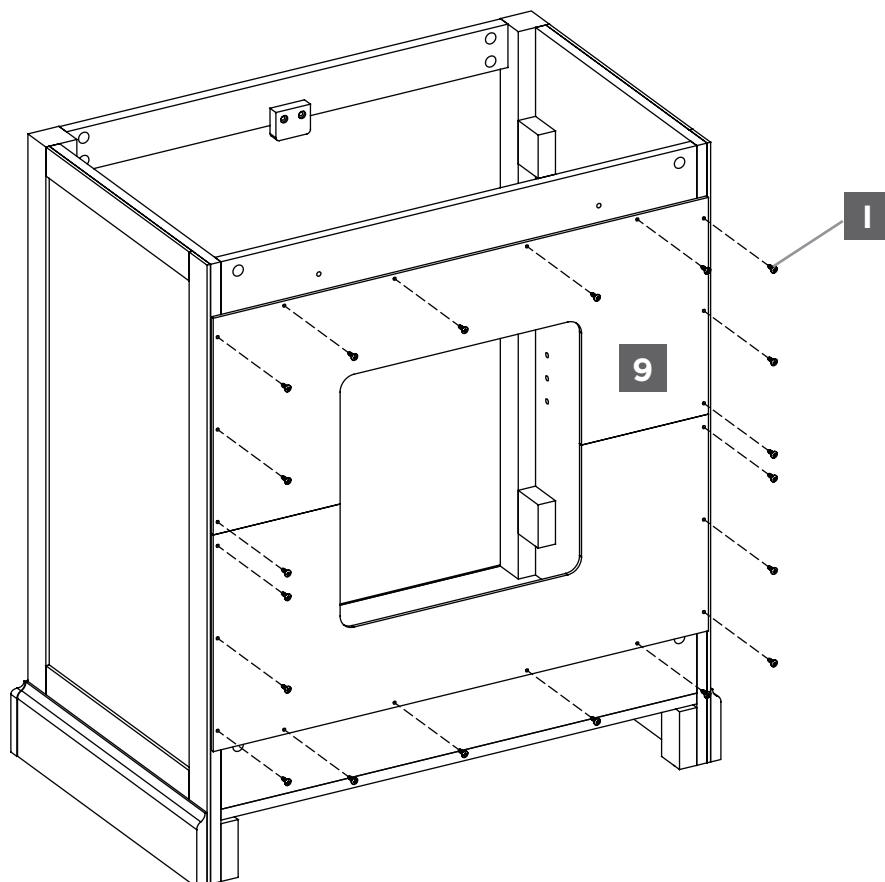


STEP-BY-STEP GUIDE

STEP 4

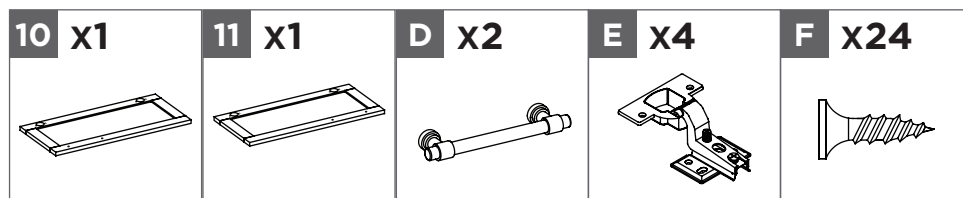


Attach back panel **9** to the back of the vanity assembly using M3.5x15 mm screws **I**.



STEP-BY-STEP GUIDE

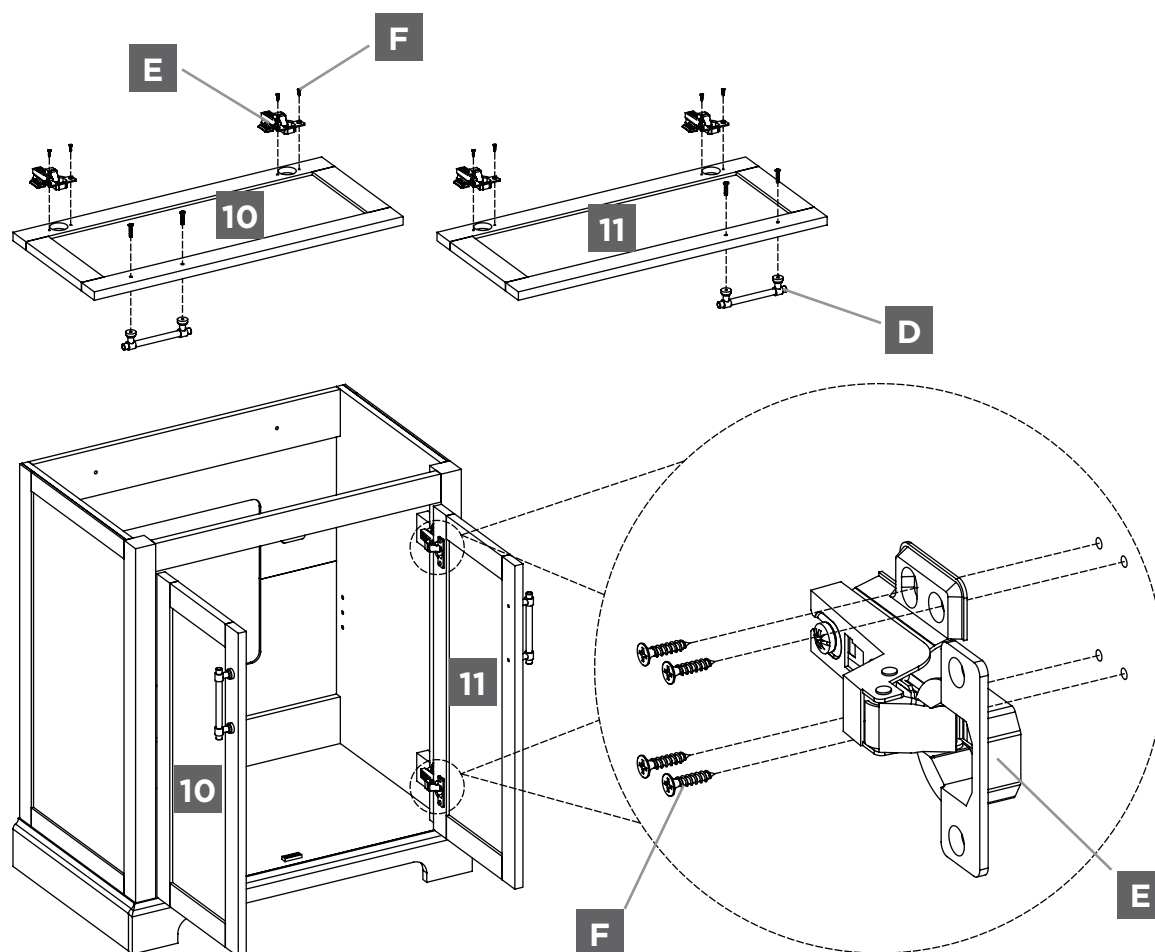
STEP 5



Attach slow close hinge **E** to left door **10** and right door **11** using M4x12mm screws **F**. Remove preassembled bolts from handles **D**. Attach door handles **D** to left door **10** and right door **11**, securing with previously removed bolts.

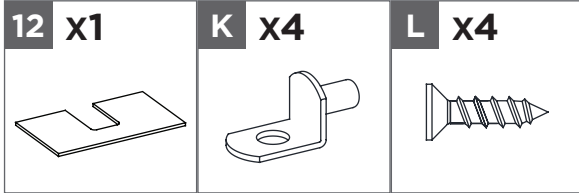
Attach the hinge bases on left door **10** and right door **11** to vanity assembly with M4x12 mm screws **F** using the pilot holes as a guide.

Open and close the doors to make sure they are aligned and shut correctly. If necessary, adjust the screws for a good fit.



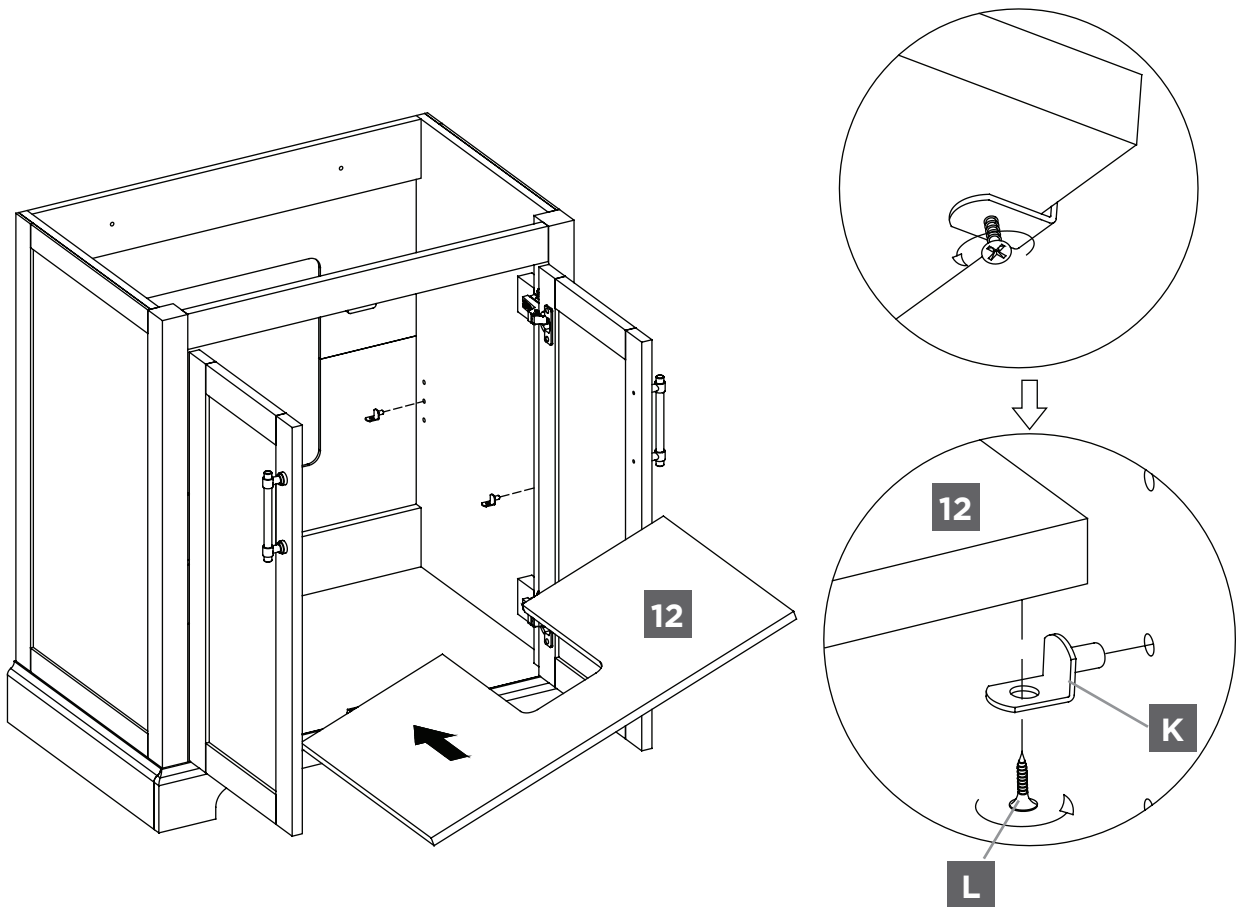
STEP-BY-STEP GUIDE

STEP 5



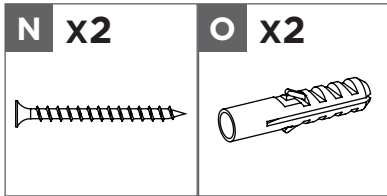
Insert shelf supports **K** into the desired holes in the sides of the vanity assembly. Make sure you place the shelf supports at the same level so the shelf is not tilted.

Tilt and rest adjustable shelf **12** onto shelf supports **K**. Secure using M3.5x12mm screws **L**.



STEP-BY-STEP GUIDE

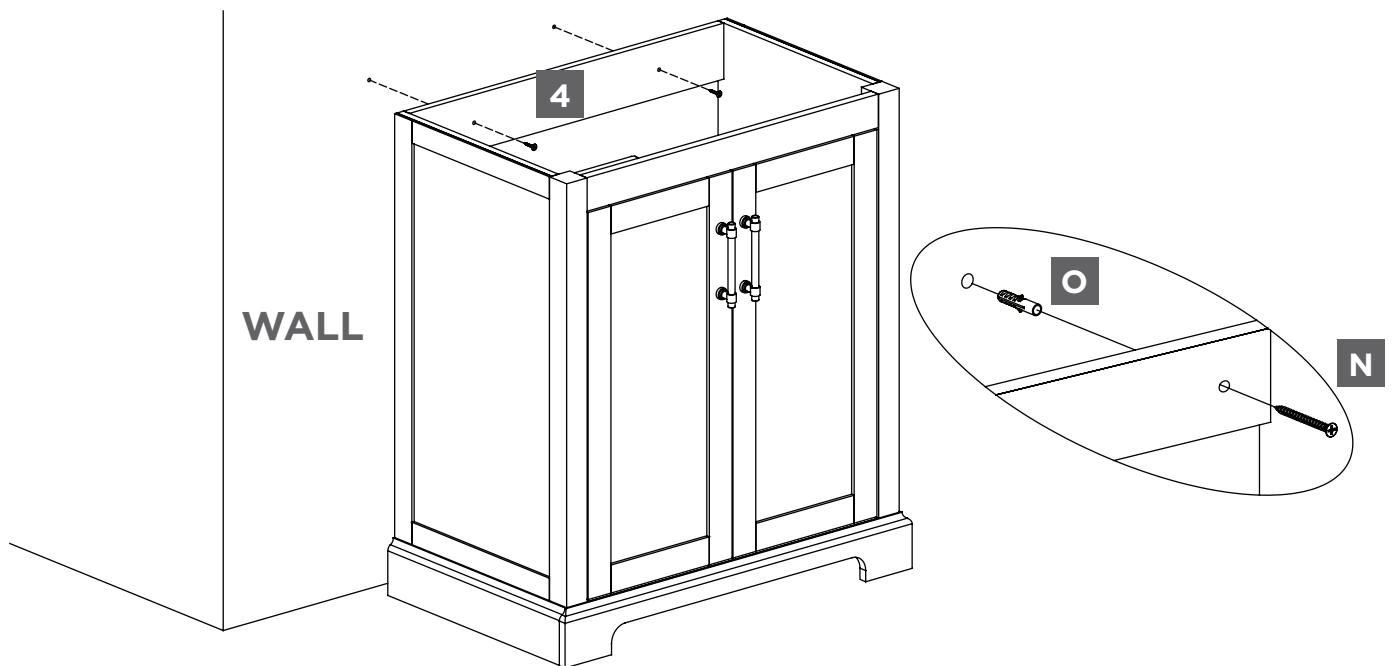
STEP 5



Determine where vanity is to be placed and mark location on the wall for the mounting.

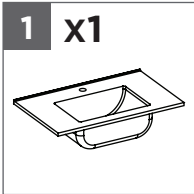
Drill a 3/8" hole in the wall. Press the plastic anchor **O** into the hole and gently tap until the flange of the anchor is against the wall surface.

Attach Vanity to the wall using M4x50 mm screws **N**.

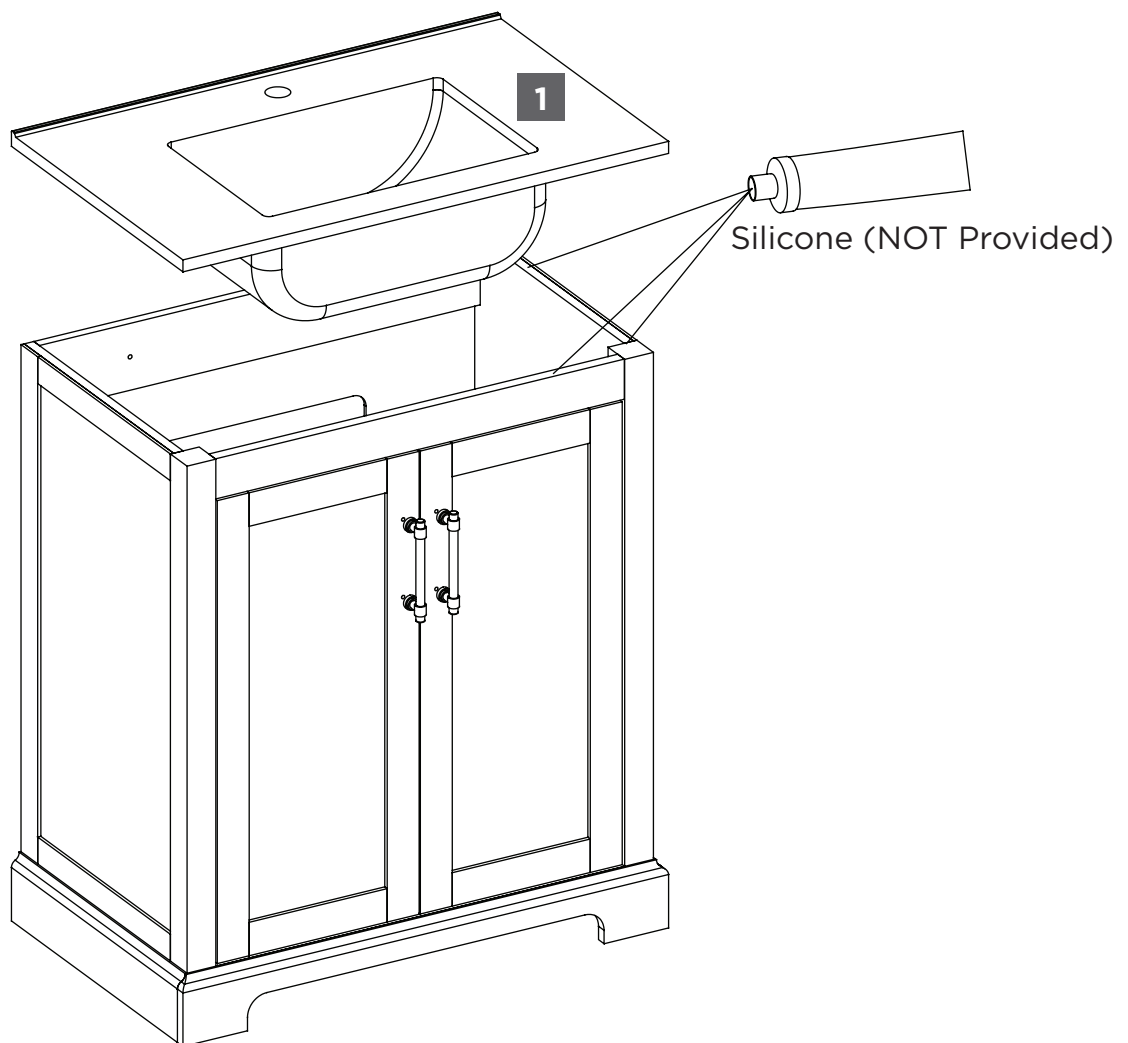


STEP-BY-STEP GUIDE

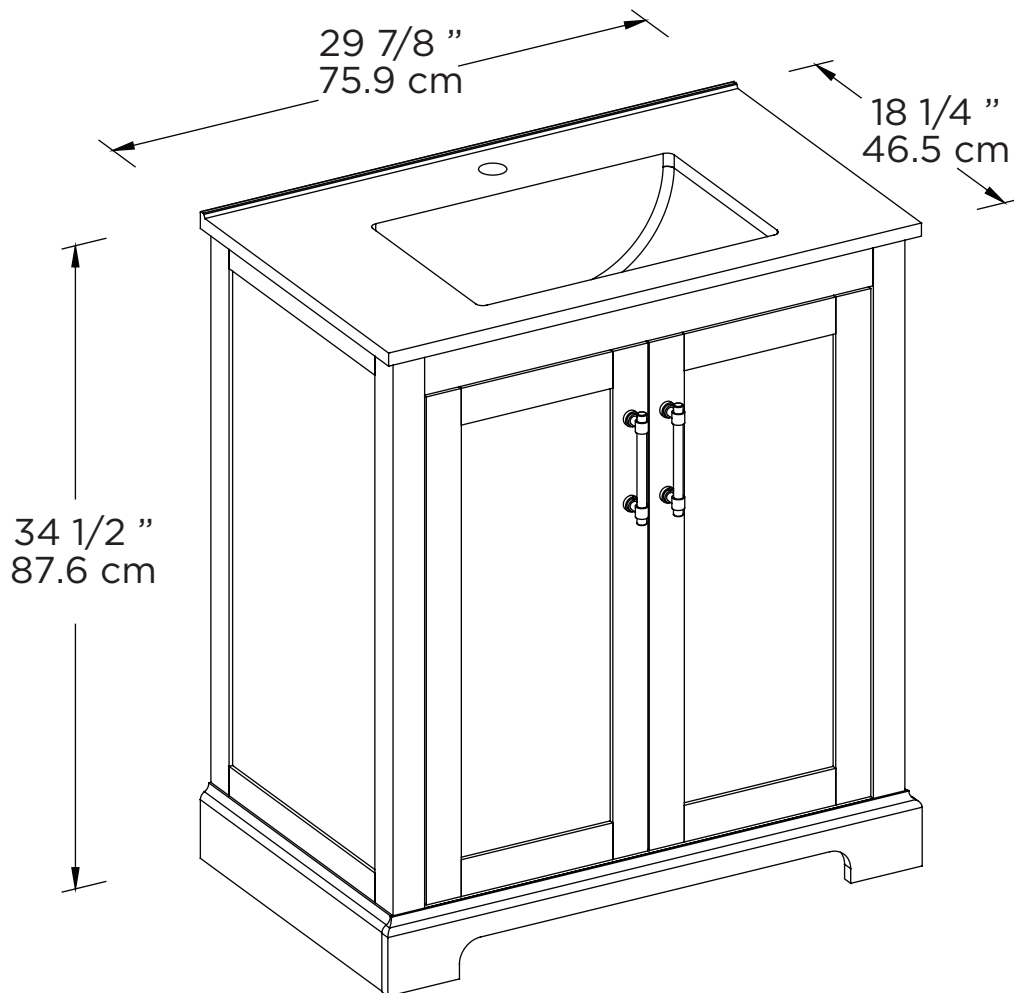
STEP 6



Apply silicone around the top edge of vanity assembly to secure the vanity top **1**.



TECHNICAL DATA



SPECIFICATIONS

ASSEMBLED DIMENSIONS (W x D x H)

29 7/8 x 18 1/4 x 34 1/2 "

75.9 x 46.5 x 87.6 cm

ASSEMBLED WEIGHT

66 lb 2 oz

30 kg

MAXIMUM WEIGHT CAPACITY

100 lb

45.4 kg

ASSEMBLY TROUBLESHOOTING



**BEFORE RETURNING
YOUR PRODUCT**

**HAVING TROUBLE?
LET US HELP YOU!**

**TOLL-FREE:
1-888-670-6684**

If you have questions regarding your product or require warranty assistance, please call our customer service helpline.



**CALL US;
WE CAN HELP**

PRODUCT TROUBLESHOOTING

PROBLEM	POSSIBLE CAUSES	SOLUTION
Vanity doors rub against another surface.	The floor is not level.	Adjust the leg levellers to ensure the vanity combo is level.
There is an uneven gap between the doors and cabinet.	The floor is not level.	Adjust the leg levellers to ensure the vanity combo is level.

CARING FOR YOUR ITEM

- 1 Rinse vanity top with clean, hot water frequently.
- 2 Blot spills quickly, and wash with mild soap and warm water.
- 3 Check all nuts and bolts periodically for tightness. When required, tighten them again.

WARRANTY INFORMATION



1-YEAR LIMITED WARRANTY*

This CANVAS® product carries a one (1) year warranty against defects in workmanship and materials. Trileaf Distribution agrees to replace the defective product free of charge within the stated warranty period, when returned by the original purchaser with proof of purchase. This product is not guaranteed against wear or breakage due to misuse and/or abuse.

PRODUCT NO. 063-6379-4

Made in Vietnam

Imported by Trileaf Distribution Trifeuil Toronto, Canada M4S 2B8

CANVAS™

INSPIRED BY CANADA

