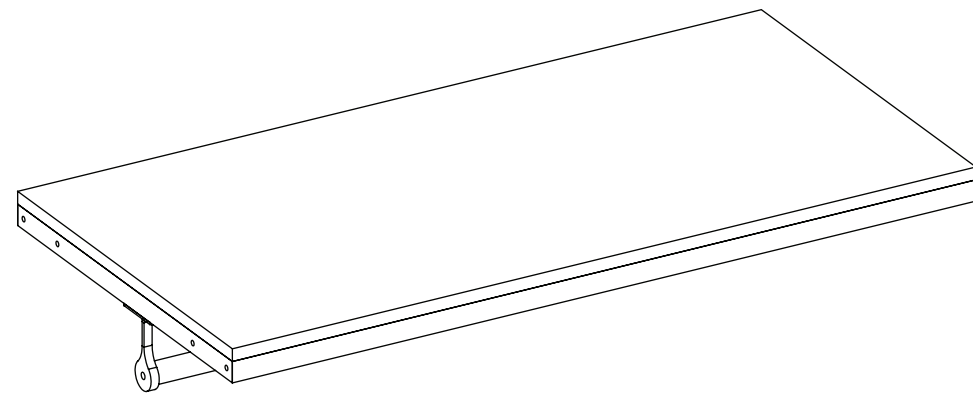




STYLE SELECTIONS is a trademark or registered trademark of LF, LLC. All rights reserved.



ITEM #5120859

SHELF AND ROD CONNECTOR

MODEL #LWUSTCA

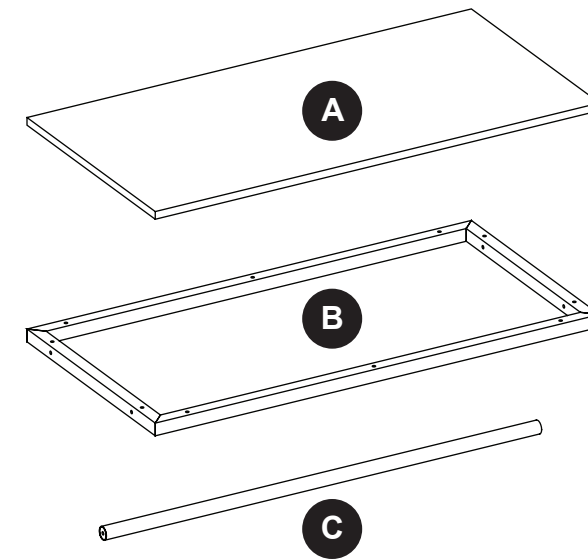
ATTACH YOUR RECEIPT HERE

Serial Number _____ Purchase Date _____



Call customer service at 1-877-888-8225, 8 a.m. - 8 p.m., EST, Monday - Sunday.

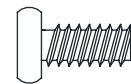
PACKAGE CONTENTS



PART	DESCRIPTION	QUANTITY
A	Shelf	1
B	Top frame	1
C	Metal pole	1

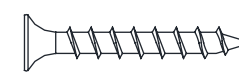
HARDWARE CONTENTS (not shown actual size)

AA



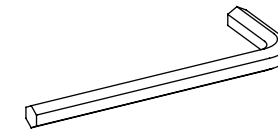
1/4" x 12 mm
Bolt
Qty. 4

BB



M4 x 35 mm
Screw
Qty. 10

CC



Hex wrench
Qty. 1

DD



M 4 x 15 mm
Bolt
Qty. 2

EE



Pole holder
Qty. 2

FF



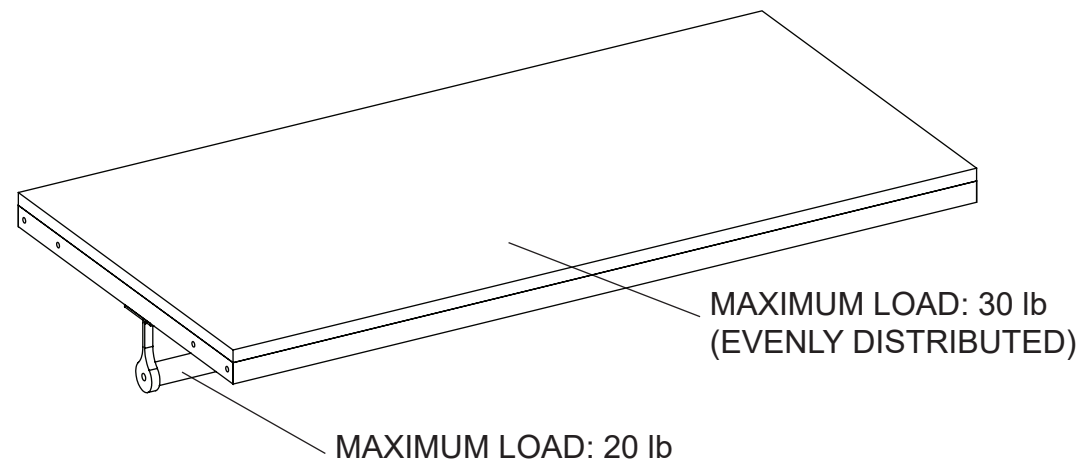
1/4" x 38 mm
Bolt
Qty. 4

SAFETY INFORMATION

Please read and understand this entire manual before attempting to assemble, operate or install the product.

Please read and understand this entire manual prior to assembling the product.

1. Do not allow children to climb or play in or around this product.
2. Use this unit for its intended purpose only. Do not use shelves as step ladder.
3. To avoid damage, assemble the product on a sturdy, level and protective surface.
4. Make sure all bolts/screws are tightly fastened before the unit is used.
5. Check bolts/screws periodically and tighten them if necessary.



WARNING

THIS UNIT IS INTENDED FOR USE ONLY WITH THE MAXIMUM WEIGHTS INDICATED. USE WITH PRODUCTS HEAVIER THAN THE MAXIMUM WEIGHTS INDICATED MAY RESULT IN INSTABILITY CAUSING POSSIBLE INJURY. DISTRIBUTE WEIGHT EVENLY.

PREPARATION

Before beginning assembly of product, make sure all parts are present. Compare parts with package contents list and hardware contents list. If any part is missing or damaged, do not attempt to assemble the product.

Estimated Assembly Time: 25 minutes

Tools Required for Assembly (not included): Phillips Screwdriver.

ASSEMBLY INSTRUCTIONS

1. Attach top frame (B) to shelf (A). Secure in place with M4 x 35 mm screws (BB).

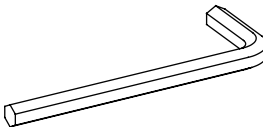
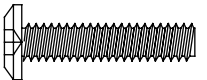
Hardware Used

- BB** M4 x 35 mm Screw  x 10

Option 1

2. Attach top frame (B) to unit (Item #5120860 & 5120857, sold separately), using 1/4" x 38 mm bolt (FF). Tighten with hex wrench (CC).



Hardware Used

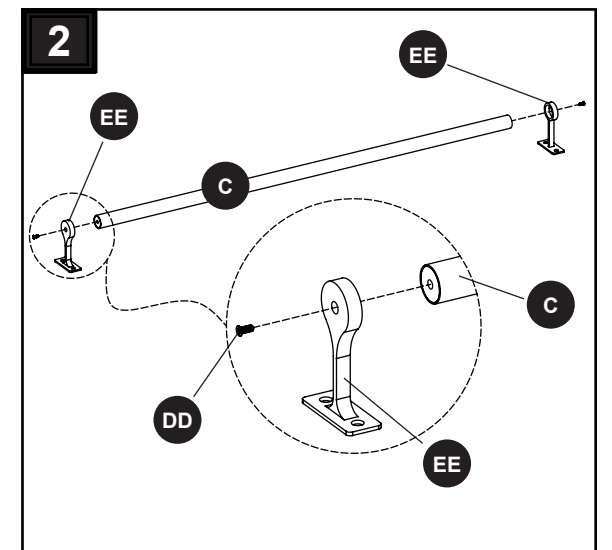
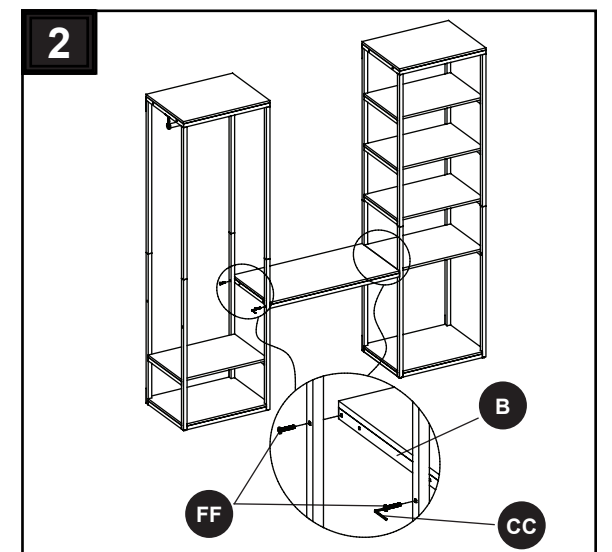
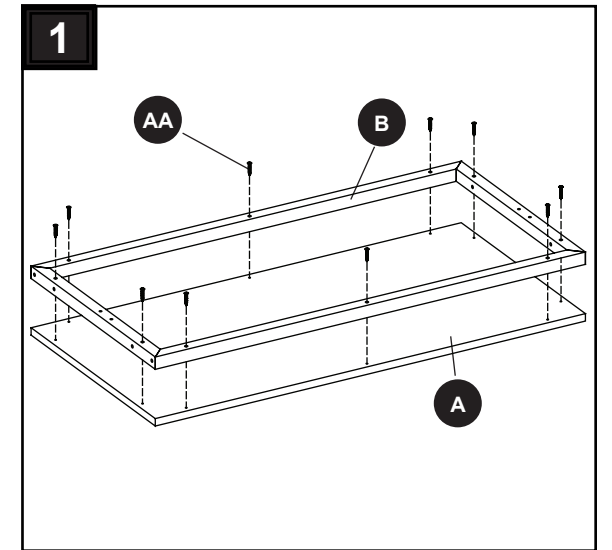
- CC** Hex wrench  x 1
- FF** 1/4" x 38 mm Bolt  x 4

Option 2

2. Attach pole holders (EE) to metal pole (C), securing with M4 x 15 mm bolts (DD).

Hardware Used

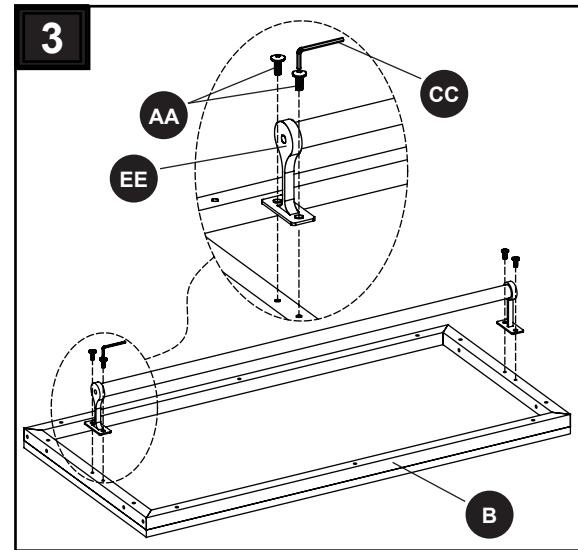
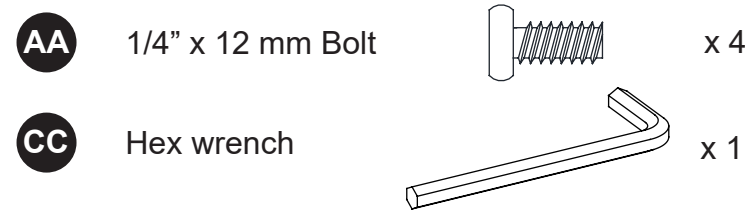
- DD** M4 x 15 mm Bolt  x 2
- EE** Pole holder  x 2



ASSEMBLY INSTRUCTIONS

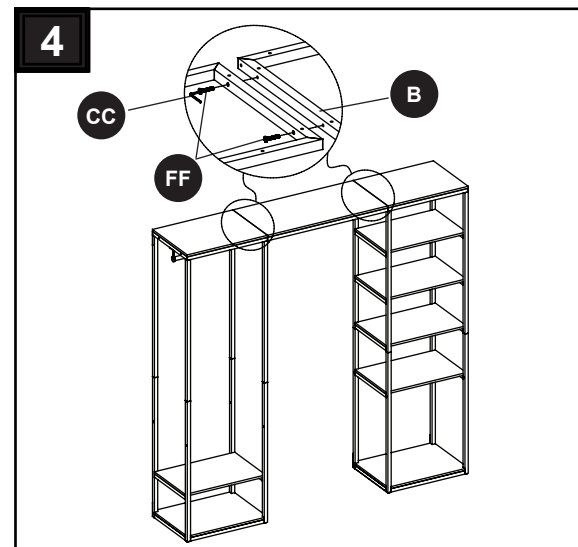
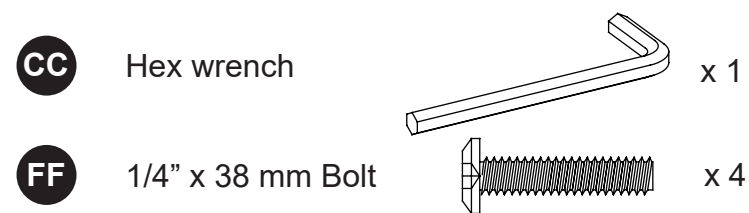
3. Attach pole holders (EE) to top frame (B), using 1/4" x 12 mm bolts (AA). Tighten with hex wrench (CC).

Hardware Used



4. Attach top frame (B) to unit (Item #5120860 & 5120857, sold separately), using 1/4" x 38 mm bolt (FF). Tighten with hex wrench (CC).

Hardware Used



CARE AND MAINTENANCE

- Periodically check to make certain all components are properly positioned, free from damage and firmly connected.
- Use a soft, clean cloth that will not scratch the surface when dusting.
- Never use water to clean the furniture as it may cause damage to the finish.
- Wipe clean using a damp cloth and a mild cleaner. Wipe dry with a clean cloth.
- In the event that the furniture is stained or otherwise damaged during use, it is recommended you call a professional to repair the furniture.
- Keep furniture away from direct sunlight as it may damage the finish.
- It is best to keep the furniture in a climate-controlled environment. Extreme temperature and humidity changes can cause fading, warping, shrinking and splitting of wood.

LIMITED LIFETIME WARRANTY

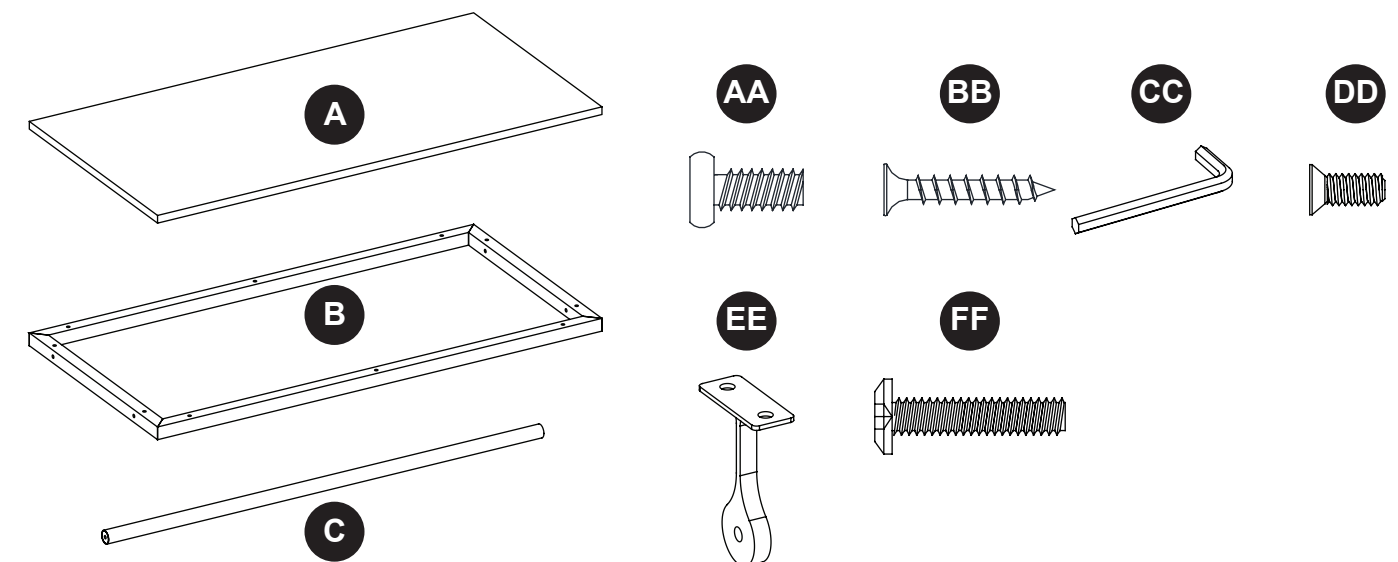
This product is warranted to the original purchaser. If there is a failure in this unit due to defects in materials or workmanship, the manufacturer will repair or replace this item at our discretion without charge. Warranty is void if product has been assembled incorrectly, misused, abused by overloading, altered in any way or damaged due to accident. This warranty is not transferable and does not cover chipping, flaking, scratches, rust, dents, or other damages to the surfaces of this product. Responsibility of the manufacturer is limited to repair or replacement of this product. The manufacturer is not responsible for consequential, incidental, or other damages or losses resulting from product failure.

This warranty is in lieu of all other expressed warranties. Some states do not allow the exclusion or limitation of incidental or consequential damages, so the above limitation may not apply to you. This warranty gives you specific legal rights and you may have other rights which vary from state to state.

REPLACEMENT PARTS LIST

For replacement parts, call our customer service department at 1-877-888-8225, 8 a.m. - 8 p.m., EST, Monday - Sunday.

PART	DESCRIPTION	PART #
A	Shelf	00LWUSTCA-A
B	Top frame	00LWUSTCA-B
C	Metal pole	00LWUSTCA-C
AA	1/4" x 12 mm Bolt	00LWUSTCA-AA
BB	M4 x 35 mm Screw	00LWUSTCA-BB
CC	Hex wrench	00LWUSTCA-CC
DD	M4 x 15 mm Bolt	00LWUSTCA-DD
EE	Pole Holder	00LWUSTCA-EE
FF	1/4" x 38 mm Bolt	00LWUSTCA-FF
CH	Complete hardware	00LWUSTCA-CH



Date: 2022-10-05
Rev. 0001-A