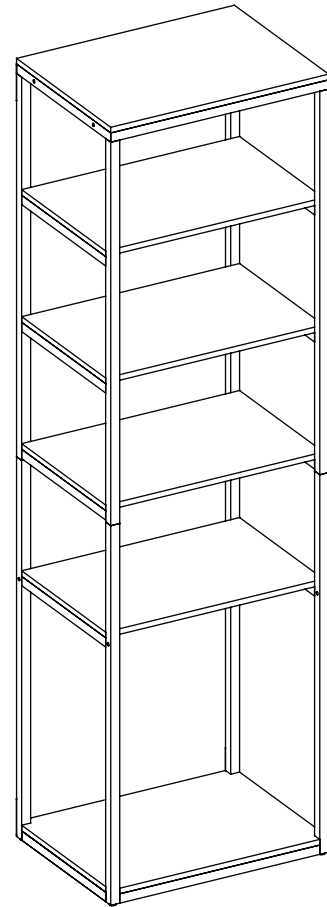




STYLE SELECTIONS is a trademark or registered trademark of LF, LLC. All rights reserved.



ITEM #5120857

SHELF TOWER

MODEL #LWUSTCC

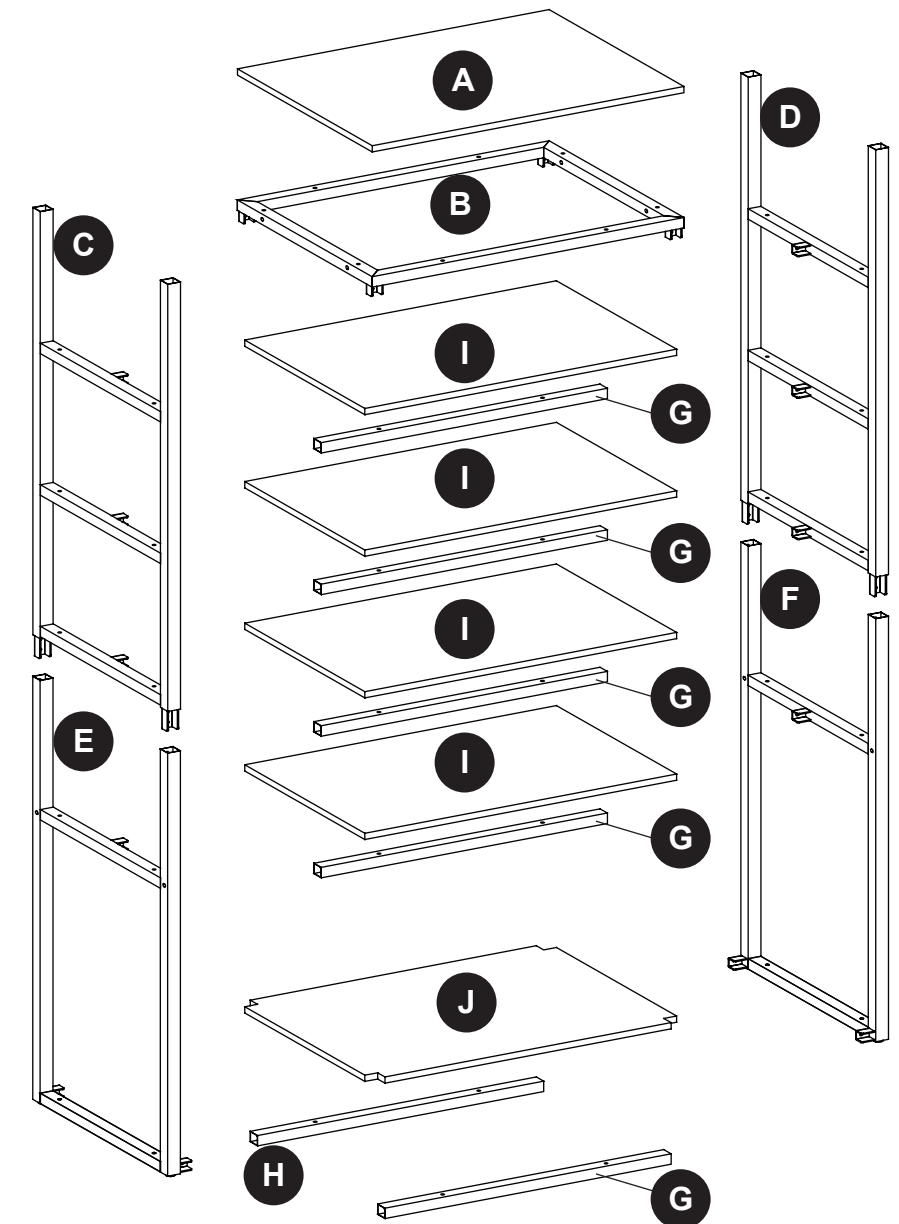
ATTACH YOUR RECEIPT HERE

Serial Number _____ Purchase Date _____



Call customer service at 1-877-888-8225, 8 a.m. - 8 p.m., EST, Monday - Sunday.

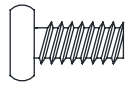
PACKAGE CONTENTS



PART	DESCRIPTION	QUANTITY
A	Top panel	1
B	Top frame	1
C	Left upper side frame	1
D	Right upper side frame	1
E	Left lower side frame	1
F	Right lower side frame	1
G	Connect beam	5
H	Bottom stretcher	1
I	Shelf	4
J	Bottom panel	1

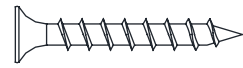
HARDWARE CONTENTS (not shown actual size)

AA



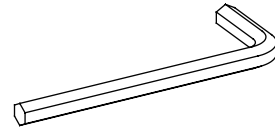
1/4" x 12 mm
Bolt
Qty. 42

BB



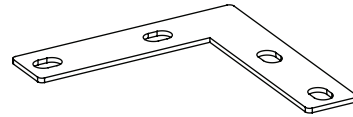
M4 x 35 mm
Screw
Qty. 40

CC



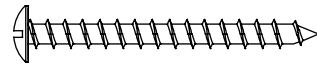
Hex wrench
Qty. 1

DD



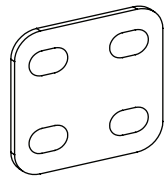
L-bracket
Qty. 4

EE



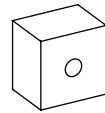
M5 x 65 mm
Screw
Qty. 1

GG



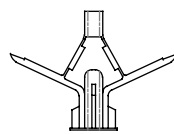
Metal plate
Qty. 2

HH



Back Crosser
Qty. 1

II



Drywall Anchor
Qty. 1

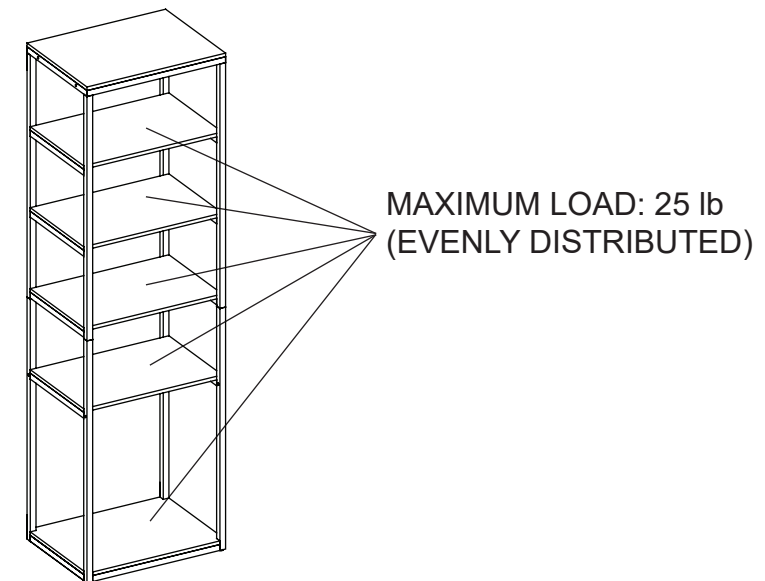


SAFETY INFORMATION

Please read and understand this entire manual before attempting to assemble, operate or install the product.

Please read and understand this entire manual prior to assembling the product.

1. Do not allow children to climb or play in or around this product.
2. Use this unit for its intended purpose only. Do not use shelves as step ladder.
3. To avoid damage, assemble the product on a sturdy, level and protective surface.
4. Two or more persons must work together to install the unit onto the wall.
5. Make sure all bolts/screws are tightly fastened before the unit is used.
6. Check bolts/screws periodically and tighten them if necessary.



WARNING

THIS UNIT IS INTENDED FOR USE ONLY WITH THE MAXIMUM WEIGHTS INDICATED. USE WITH PRODUCTS HEAVIER THAN THE MAXIMUM WEIGHTS INDICATED MAY RESULT IN INSTABILITY CAUSING POSSIBLE INJURY. DISTRIBUTE WEIGHT EVENLY.

PREPARATION

Before beginning assembly of product, make sure all parts are present. Compare parts with package contents list and hardware contents list. If any part is missing or damaged, do not attempt to assemble the product.

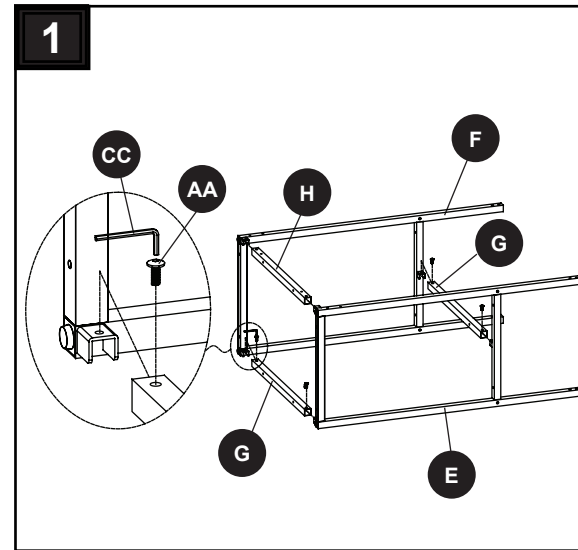
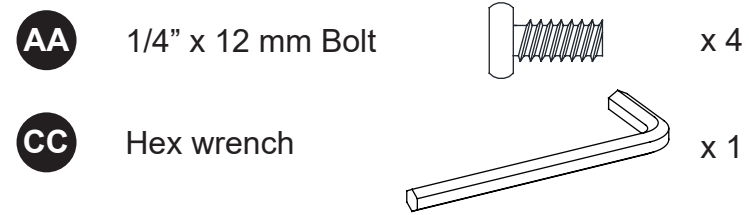
Estimated Assembly Time: 50 minutes

Tools Required for Assembly (not included): Rubber Mallet, Marking Pencil, Stud Finder, Phillips Screwdriver, Power Drill and Drill Bit.

ASSEMBLY INSTRUCTIONS

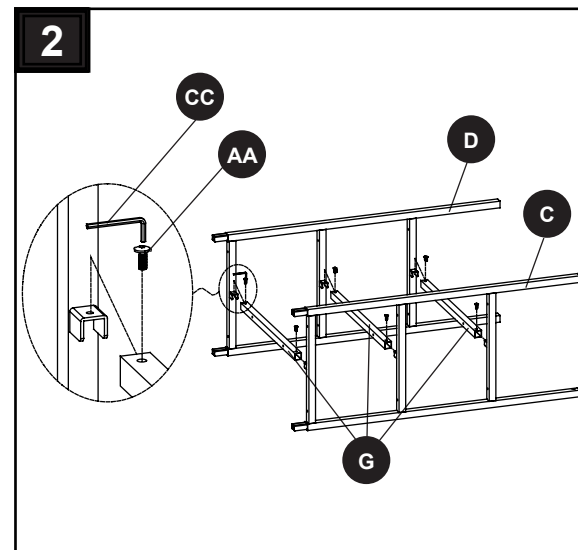
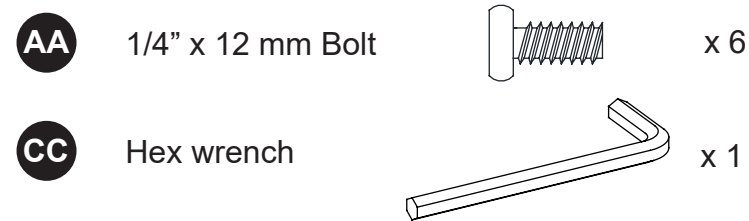
1. Attach connect beams (G) and bottom stretcher (H) between the lower side frames (E and F) using 1/4" x 12 mm bolts (AA). Tighten with hex wrench (CC).

Hardware Used



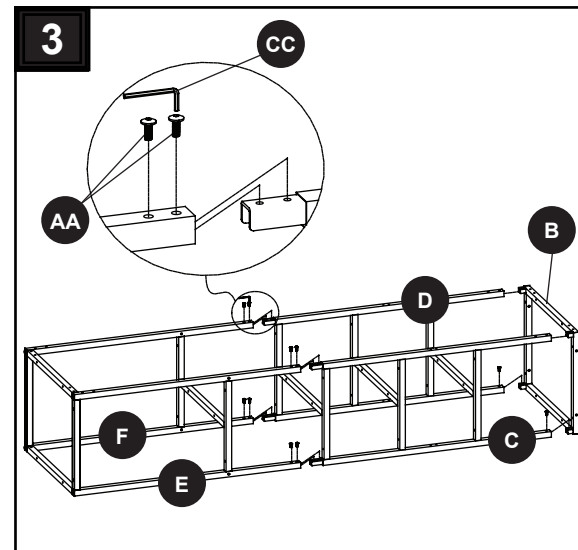
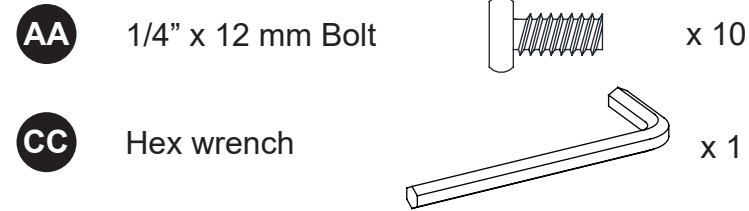
2. Attach connect beams (G) between the upper side frames (C and D) using 1/4" x 12 mm bolts (AA). Tighten with hex wrench (CC).

Hardware Used



3. Attach top frame (B), left lower side frame (E) and right lower side frame (F) to left upper side frame (C) and right upper side frame (D), using 1/4" x 12 mm bolt (AA). Tighten with hex wrench (CC).

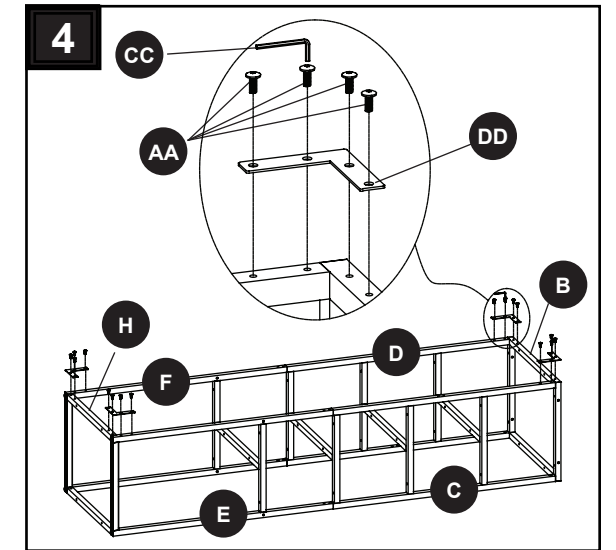
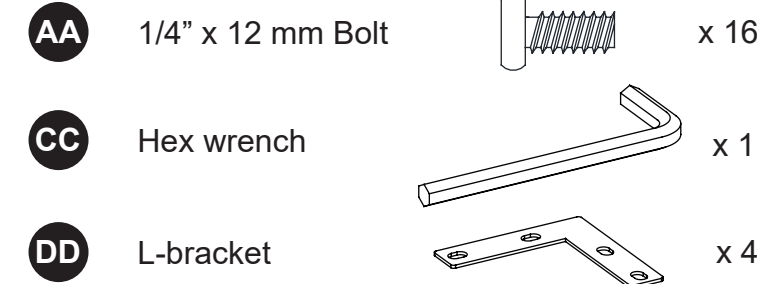
Hardware Used



ASSEMBLY INSTRUCTIONS

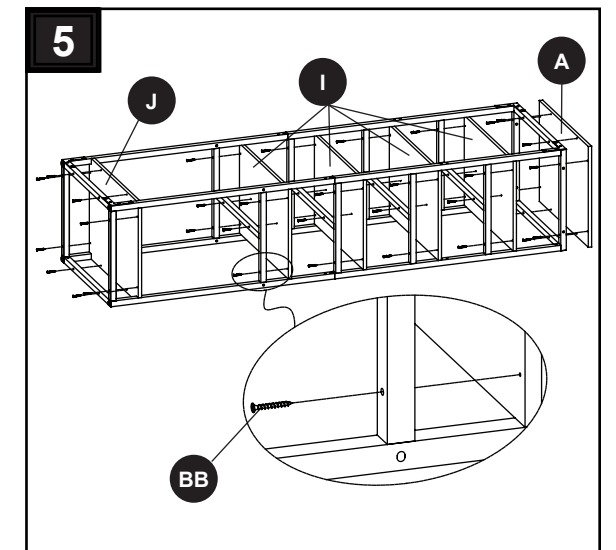
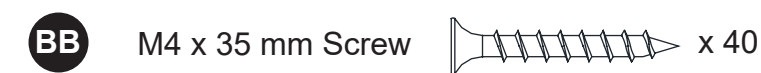
4. Attach L-bracket (DD) to assembly, using 1/4" x 12 mm bolt (AA). Tighten with hex wrench (CC).

Hardware Used



5. Attach top panel (A), shelves (I) and bottom panel (J) to assembly. Secure in place with M4 x 35 mm screws (BB).

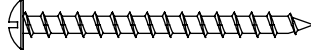
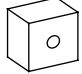

Hardware Used



ASSEMBLY INSTRUCTIONS

6. Adjust floor levelers to level the unit against the wall where desired. Using top frame (B) as a template, mark one mounting holes location on the wall. Drill one pilot holes into the wall where previously marked. Make sure that the drilled holes can fit for the wall anchors (sold separately) properly. Press the anchors into the holes and gently tap with a hammer until flush in the holes. If the mounting hole coincides with a wooden stud, there is no need wall anchor. Align top frame (B) and back crossers (HH) over the drywall anchors (II) and secure with M5 x 65 mm screw (EE). Tighten securely with phillips screwdriver.

Hardware Used

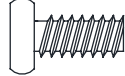

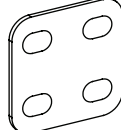
EE	M5 x 65 mm Screw		x 1
HH	Back Crosser		x 1
II	Drywall Anchor		x 1

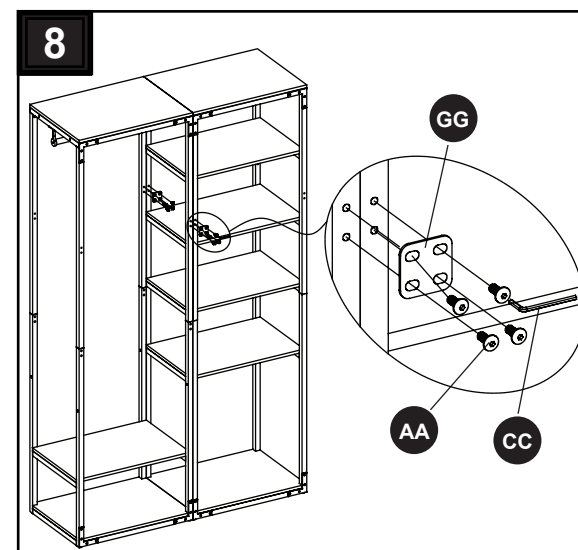
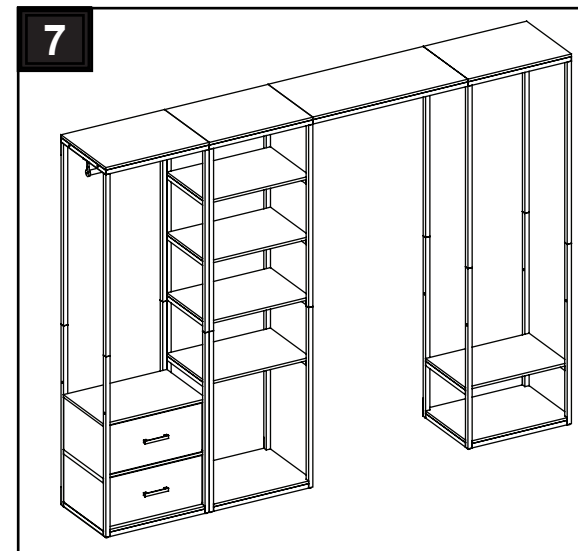
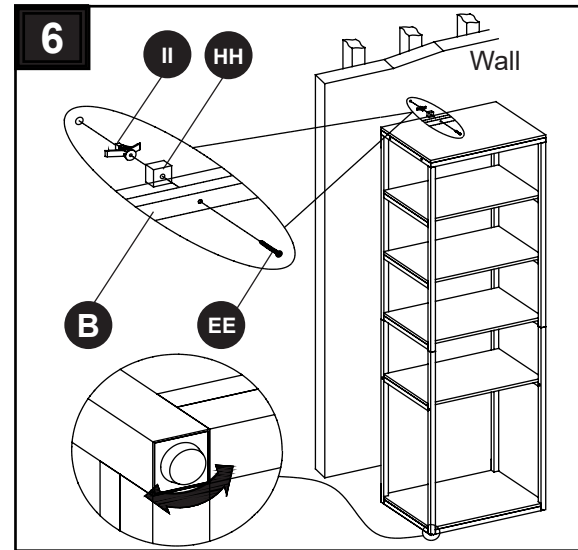
7. If you buy more than one unit, you can collect more style.

8. Secure units together by attaching the metal plates (GG) with the 1/4" x 12 mm bolts (AA) into the holes. Tighten with hex wrench (CC).

NOTE: Must install step 6 for all secured units

Hardware Used

AA	1/4" x 12 mm Bolt		x 6
CC	Hex wrench		x 1
GG	Metal plate		x 2



CARE AND MAINTENANCE

- Periodically check to make certain all components are properly positioned, free from damage and firmly connected.
- Use a soft, clean cloth that will not scratch the surface when dusting.
- Never use water to clean the furniture as it may cause damage to the finish.
- Wipe clean using a damp cloth and a mild cleaner. Wipe dry with a clean cloth.
- In the event that the furniture is stained or otherwise damaged during use, it is recommended you call a professional to repair the furniture.
- Keep furniture away from direct sunlight as it may damage the finish.
- It is best to keep the furniture in a climate-controlled environment. Extreme temperature and humidity changes can cause fading, warping, shrinking and splitting of wood.

LIMITED LIFETIME WARRANTY

This product is warranted to the original purchaser. If there is a failure in this unit due to defects in materials or workmanship, the manufacturer will repair or replace this item at our discretion without charge. Warranty is void if product has been assembled incorrectly, misused, abused by overloading, altered in any way or damaged due to accident. This warranty is not transferable and does not cover chipping, flaking, scratches, rust, dents, or other damages to the surfaces of this product. Responsibility of the manufacturer is limited to repair or replacement of this product. The manufacturer is not responsible for consequential, incidental, or other damages or losses resulting from product failure.

This warranty is in lieu of all other expressed warranties. Some states do not allow the exclusion or limitation of incidental or consequential damages, so the above limitation may not apply to you. This warranty gives you specific legal rights and you may have other rights which vary from state to state.

REPLACEMENT PARTS LIST

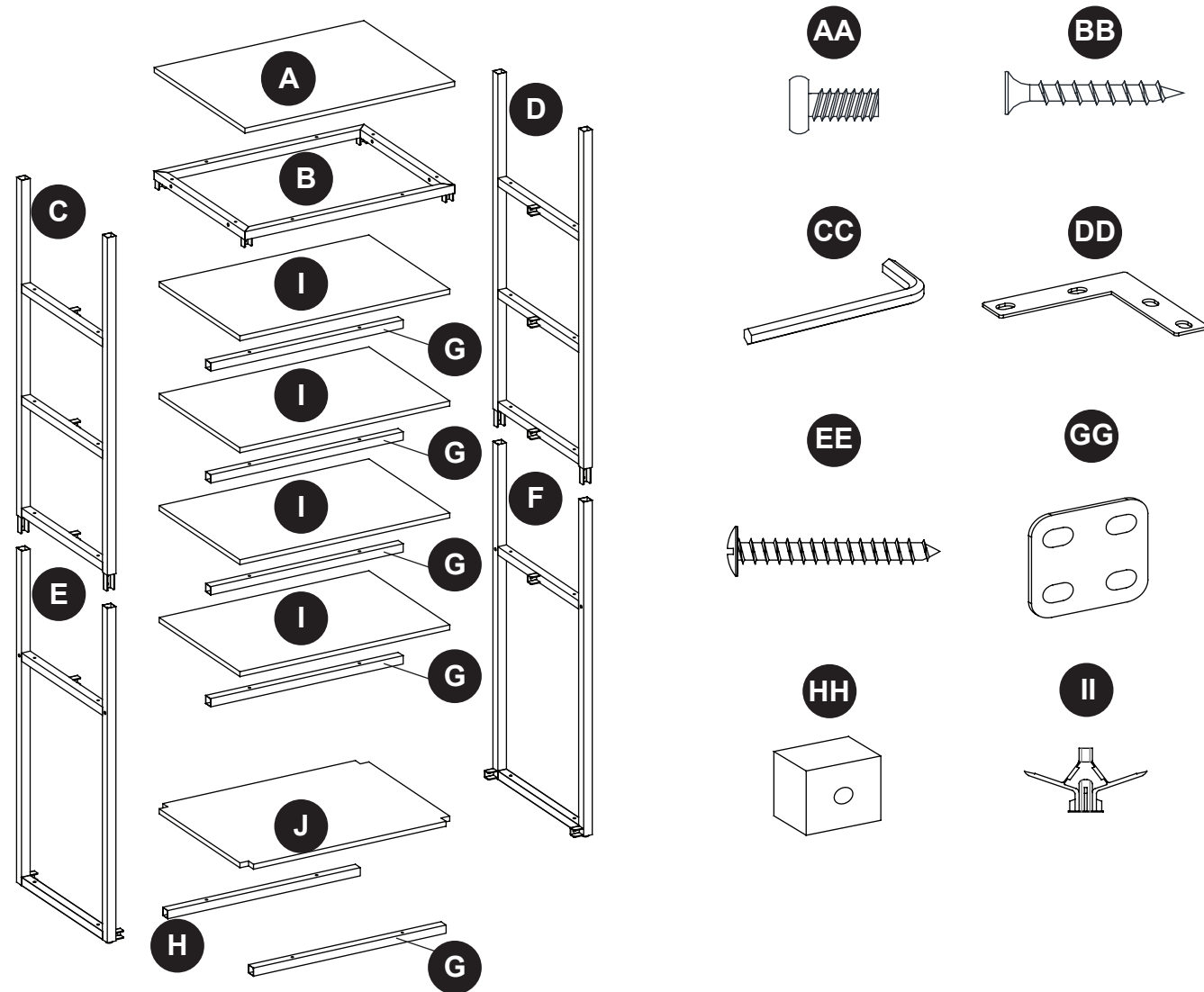
For replacement parts, call our customer service department at 1-877-888-8225, 8 a.m. - 8 p.m., EST, Monday - Sunday.

PART	DESCRIPTION	PART #
A	Top panel	00LWUSTCC-A
B	Top frame	00LWUSTCC-B
C	Left upper side frame	00LWUSTCC-C
D	Right upper side frame	00LWUSTCC-D
E	Left lower side frame	00LWUSTCC-E
F	Right lower side frame	00LWUSTCC-F
G	Connect beam	00LWUSTCC-G
H	Bottom stretcher	00LWUSTCC-H
I	Shelf	00LWUSTCC-I
J	Bottom panel	00LWUSTCC-J

REPLACEMENT PARTS LIST

For replacement parts, call our customer service department at 1-877-888-8225, 8 a.m. - 8 p.m., EST, Monday - Sunday.

PART	DESCRIPTION	PART #
AA	1/4" x 12 mm Bolt	00LWUSTCC-AA
BB	M4 x 38 mm Screw	00LWUSTCC-BB
CC	Hex wrench	00LWUSTCC-CC
DD	L-bracket	00LWUSTCC-DD
EE	M5 x 65 mm Screw	00LWUSTCC-EE
GG	Metal plate	00LWUSTCC-GG
HH	Back Crosser	00LWUSTCC-HH
II	Drywall Anchor	00LWUSTCC-II
CH	Complete hardware	00LWUSTCC-CH



Date: 2022-10-05
Rev. 0001-A

Printed in Vietnam