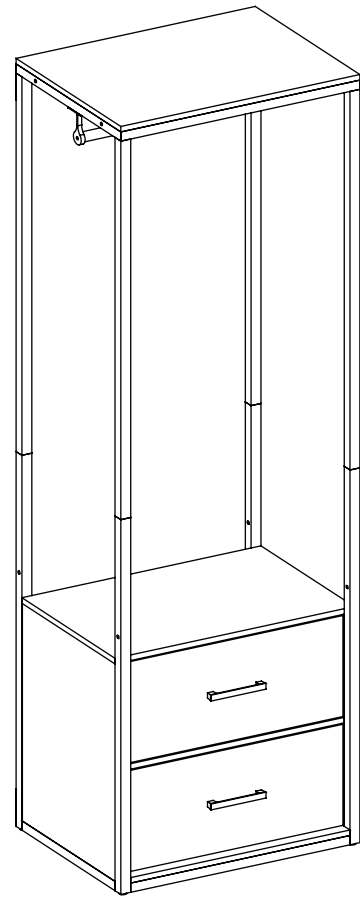




STYLE SELECTIONS is a trademark or registered trademark of LF, LLC. All rights reserved.



ITEM #5120858

# HANG & DRAWER TOWER

MODEL #LWUSTCD

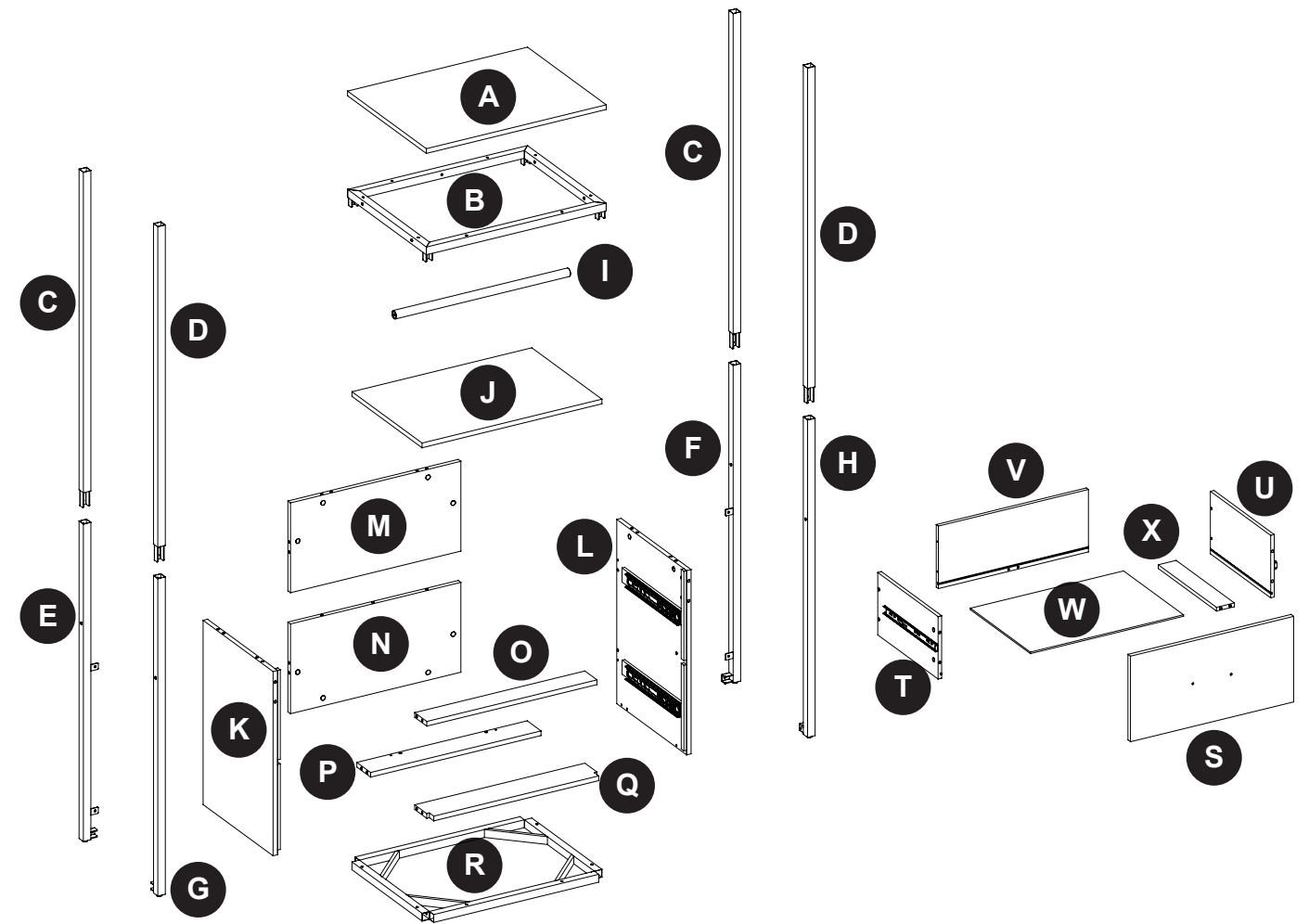
**ATTACH YOUR RECEIPT HERE**

Serial Number \_\_\_\_\_ Purchase Date \_\_\_\_\_



Call customer service at 1-877-888-8225, 8 a.m. - 8 p.m., EST, Monday - Sunday.

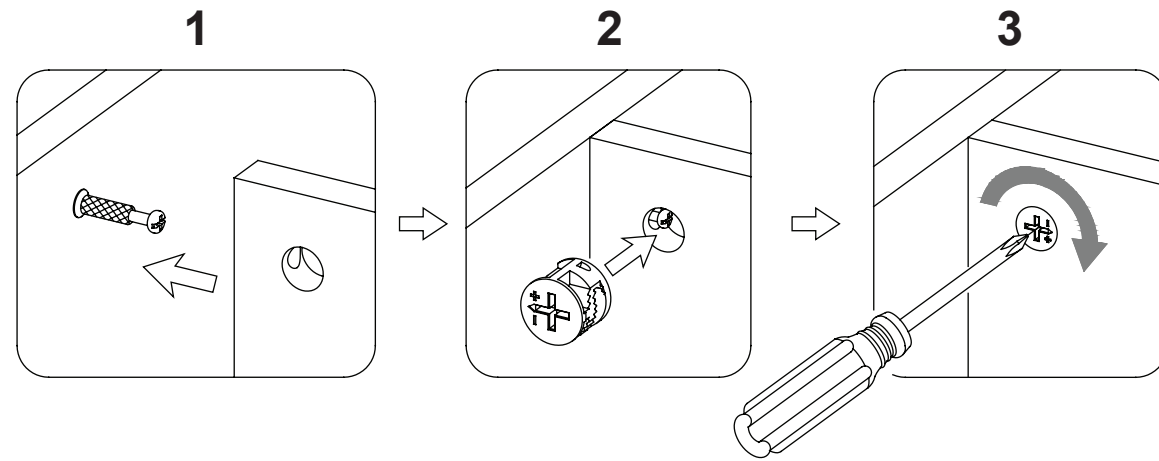
**PACKAGE CONTENTS**



PART	DESCRIPTION	QUANTITY
A	Top Panel	1
B	Top Frame	1
C	Upper Back Post	2
D	Upper Front Post	2
E	Lower Left Back Post	1
F	Lower Right Back Post	1
G	Lower Left Front Post	1
H	Lower Right Front Post	1
I	Metal Pole	1
J	Shelf	1
K	Left Side Panel	1
L	Right Side Panel	1

PART	DESCRIPTION	QUANTITY
M	Upper Backplane	1
N	Lower Backplane	1
O	Middle Front Stretcher	1
P	Bottom Back Stretcher	1
Q	Bottom Front Stretcher	1
R	Bottom Frame	1
S	Drawer Front	2
T	Drawer Left	2
U	Drawer Right	2
V	Drawer Back	2
W	Drawer Bottom	2
X	Drawer Stretcher	2

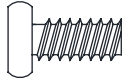
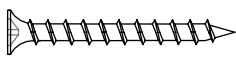
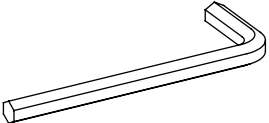
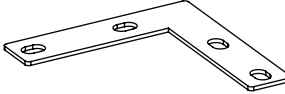


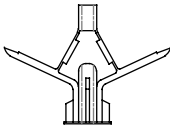
## CAM LOCK SYSTEM OPERATION

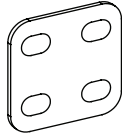
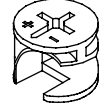
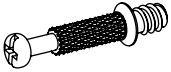
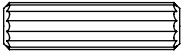
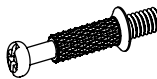
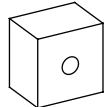
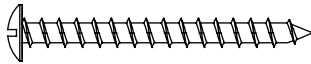



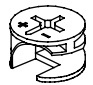



1. Screw the Cam Bolt into the pre-drilled small holes on the panel. Connect both panels together; making sure the Cam Bolt goes into the pre-drilled hole at the end of the panel with the Cam Lock.
2. Insert the Cam Lock into the pre-drilled large hole in the panel. Make sure the arrow on the Cam Lock is pointed towards the Cam Bolt.
3. Once the Cam Bolt is connected inside the Cam Lock, take a Phillips screwdriver (not included) and tighten the Cam Lock clockwise.

## HARDWARE CONTENTS (not shown actual size)

## HARDWARE CONTENTS (not shown actual size)

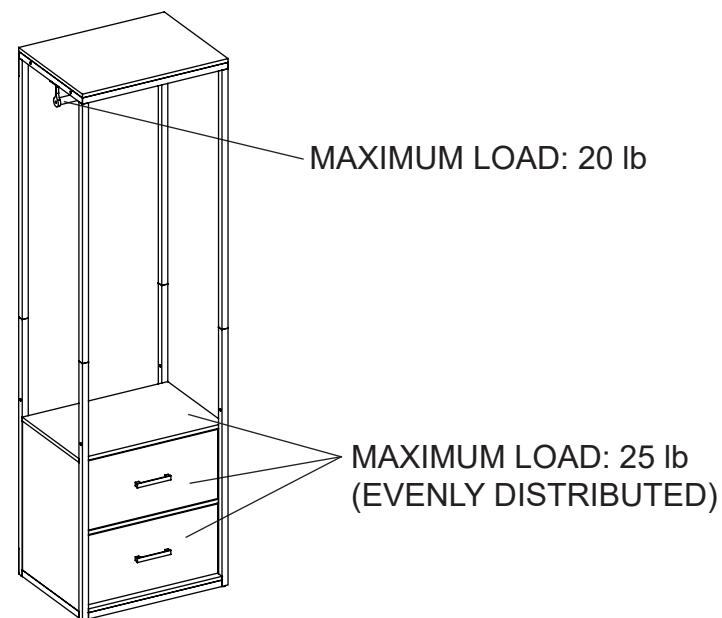
<b>AA</b>	<b>BB</b>	<b>CC</b>	<b>DD</b>
			
1/4" x 12 mm Bolt Qty. 38	M4 x 35 mm Screw Qty. 26	Hex Wrench Qty. 1	L-bracket Qty. 4
<b>EE</b>	<b>FF</b>	<b>GG</b>	
			
M 4 x 15 mm Bolt Qty. 2	Pole Holder Qty. 2	Drywall Anchor Qty. 1	

<b>II</b>	<b>JJ</b>	<b>KK</b>	<b>LL</b>
			
Metal Plate Qty. 2	Cam Lock Qty. 26	Cam Tapping- Bolt Qty. 34	Wood Dowel Qty. 17
<b>MM</b>	<b>NN</b>	<b>OO</b>	<b>PP</b>
			
Cam Bolt Qty. 4	Back Crosser Qty. 1	M5 x 65 mm Screw Qty. 1	Plastic Cover Qty. 8
<b>QQ</b>	<b>RR</b>	<b>SS</b>	<b>TT</b>
			
Handle Qty. 2	5/32" x 25 mm Bolt Qty. 4	Small Cam Lock Qty. 12	M4 x 12 mm Screw Qty. 4

## SAFETY INFORMATION

Please read and understand this entire manual before attempting to assemble, operate or install the product.

1. Do not allow children to climb or play in or around this product.
2. Use this unit for its intended purpose only. Do not use shelves as step ladder.
3. To avoid damage, assemble the product on a sturdy, level and protective surface.
4. Make sure all bolts/screws are tightly fastened before the unit is used.
5. Check bolts/screws periodically and tighten them if necessary.



## WARNING

THIS UNIT IS INTENDED FOR USE ONLY WITH THE MAXIMUM WEIGHTS INDICATED. USE WITH PRODUCTS HEAVIER THAN THE MAXIMUM WEIGHTS INDICATED MAY RESULT IN INSTABILITY CAUSING POSSIBLE INJURY. DISTRIBUTE WEIGHT EVENLY.

## PREPARATION

Before beginning assembly of product, make sure all parts are present. Compare parts with package contents list and hardware contents list. If any part is missing or damaged, do not attempt to assemble the product.

**Estimated Assembly Time:** 50 minutes

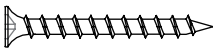
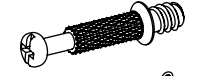


Tools Required for Assembly (not included): Rubber Mallet, Marking Pencil, Stud Finder, Phillips Screwdriver, Power Drill and Drill Bit.

## ASSEMBLY INSTRUCTIONS

### Drawer Assembly

1. Attach drawer left (T), drawer right (U) and drawer stretcher (X) to drawer back (V) with M4 x 35 mm screws (BB).  
Install cam tapping bolts (KK) into drawer front (S).  
Attach handle (QQ) onto drawer front (S), securing with 5/32" x 25 mm bolt (RR). Set aside.

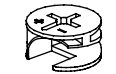
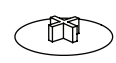
### Hardware Used

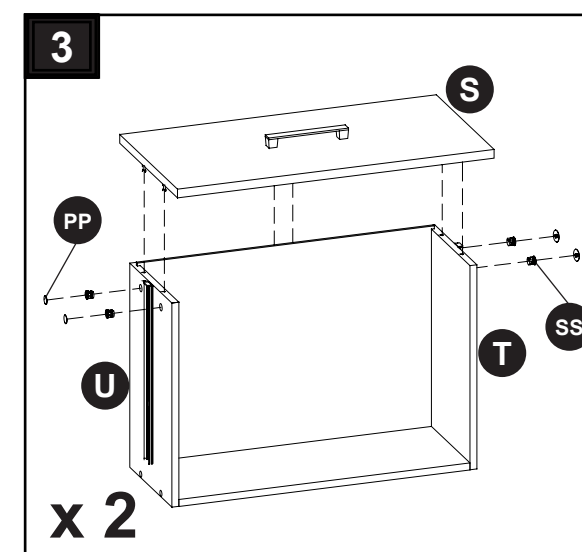
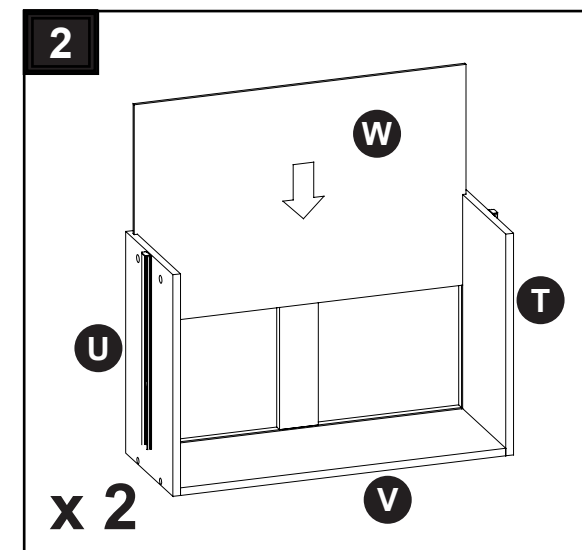
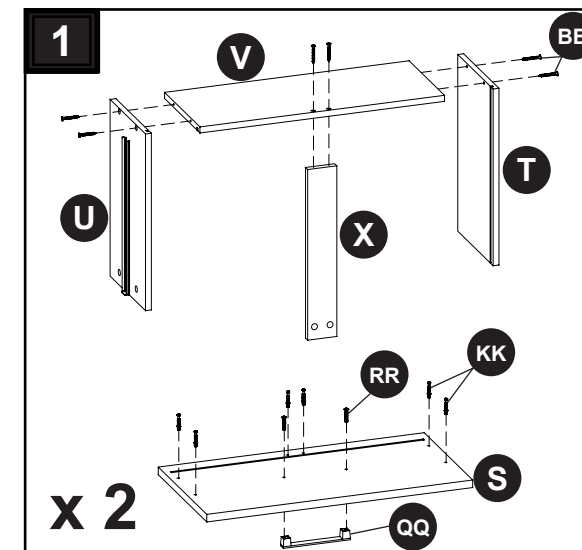
<b>BB</b>	M4 x 35 mm Screw		x 12
<b>KK</b>	Cam Tapping Bolt		x 12
<b>QQ</b>	Handle		x 2
<b>RR</b>	5/32" x 25 mm Bolt		x 4

2. Insert drawer bottom (W) into drawer left (T), drawer right (U) and drawer back (V).

3. Attach drawer front (S) to drawer left (T), drawer right (U) using small cam locks (SS).  
Plug Plastic Covers (PP) to cover the small cam locks for nice looking.

### Hardware Used

<b>SS</b>	Small Cam Lock		x 8
<b>PP</b>	Plastic Cover		x 8

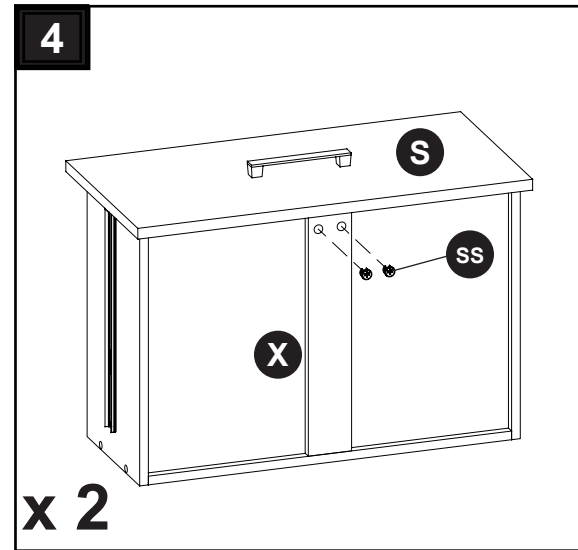


## ASSEMBLY INSTRUCTIONS

4. Using small cam locks (SS) to fix drawer stretcher (X) with drawer front (S).  
Repeat previous steps to attach another drawer.


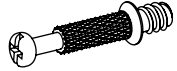
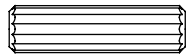
### Hardware Used

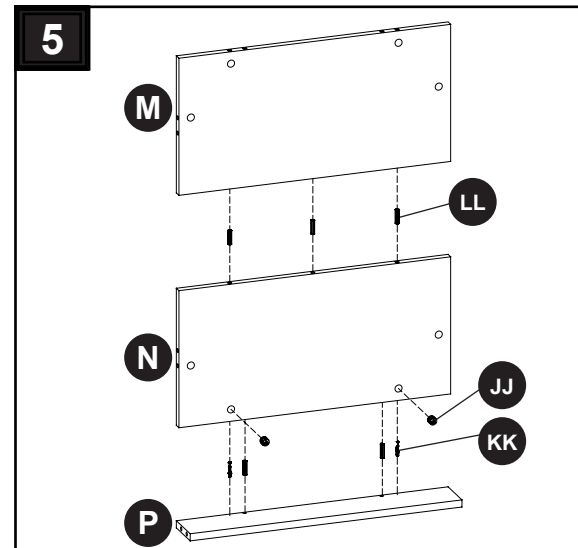
**SS** Small Cam Lock  x 4



5. Install cam tapping bolts (KK) and wood dowels (LL) into pre-drilled holes on bottom back stretcher (P) & upper backplane (M) and make sure they are completely seated, attach bottom back stretcher (P) & upper backplane (M) to lower backplane (N) by cam locks (JJ) as shown in figure.


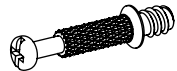
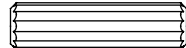
### Hardware Used

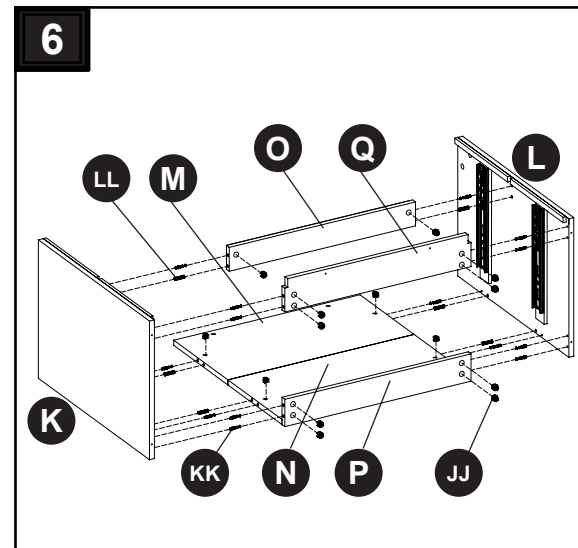
**JJ** Cam Lock  x 2  
**KK** Cam Tapping Bolt  x 2  
**LL** Wood Dowel  x 5



6. Install cam tapping bolts (KK) and wood dowels (LL) into pre-drilled holes on left side panel (K) & right side panel (L) and make sure they are completely seated, then attach left side panel (K) & right side panel (L) to assembled bottom back stretcher (P) & upper backplane (M) & lower backplane (N) and middle front stretcher (O), bottom front stretcher (Q), securing with cam locks (JJ) as shown in figure.

### Hardware Used


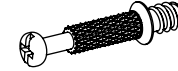
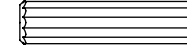
**JJ** Cam Lock  x 14  
**KK** Cam Tapping Bolt  x 14  
**LL** Wood Dowel  x 6

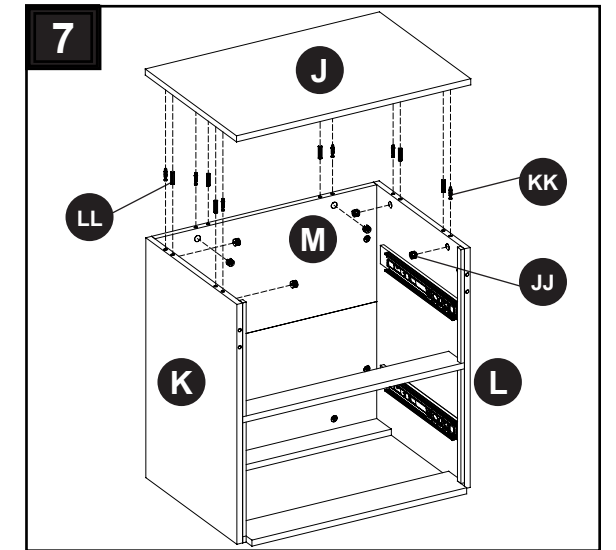


## ASSEMBLY INSTRUCTIONS

7. Insert the cam tapping bolts (KK) and wood dowels (LL) into pre-drilled holes on shelf (J), Position the shelf (J) onto the left side panel (K) & right side panel (L) & upper backplane (M) by cam locks (JJ) as shown in figure.

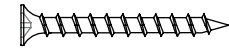
### Hardware Used

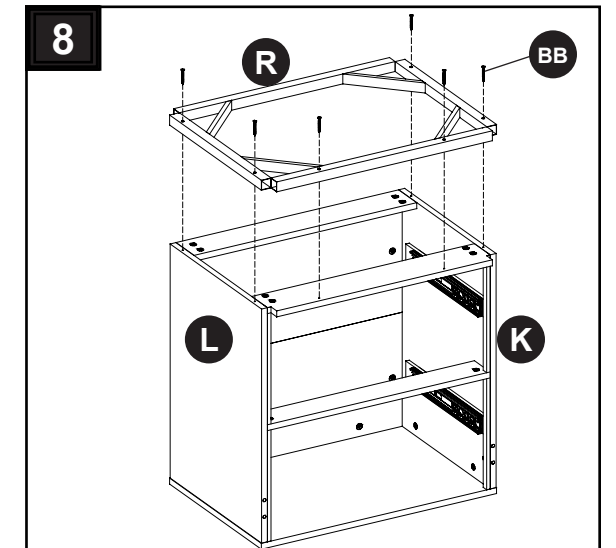
**JJ** Cam Lock  x 6  
**KK** Cam Tapping Bolt  x 6  
**LL** Wood Dowel  x 6



8. Attach bottom frame (R) to bottom of assembled left side panel (K) & right side panel (L) & bottom front stretcher (Q). Secure in place with M4 x 35 mm screws (BB).

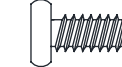
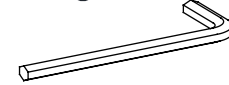


### Hardware Used

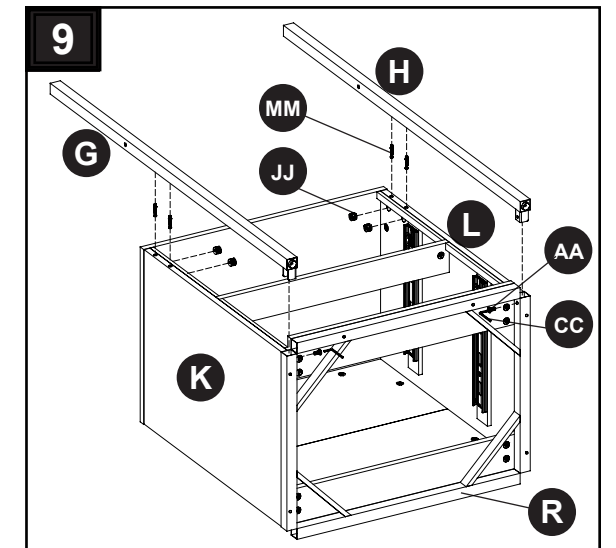
**BB** M4 x 35 mm Screw  x 6



9. Insert the cam bolts (MM) into pre-drilled holes on lower left front post (G), lower right front post (H), then position lower left front post (G) to the left side panel (K) & bottom frame (R), position lower right front post (H) to the right side panel (L) & bottom frame (R) securing with cam locks (JJ), and using 1/4" x 12 mm bolts (AA), tighten with hex wrench (CC) as shown in figure.

### Hardware Used


**AA** 1/4" x 12 mm Bolt  x 2  
**CC** Hex Wrench  x 1  
**JJ** Cam Lock  x 4  
**MM** Cam Bolt  x 4

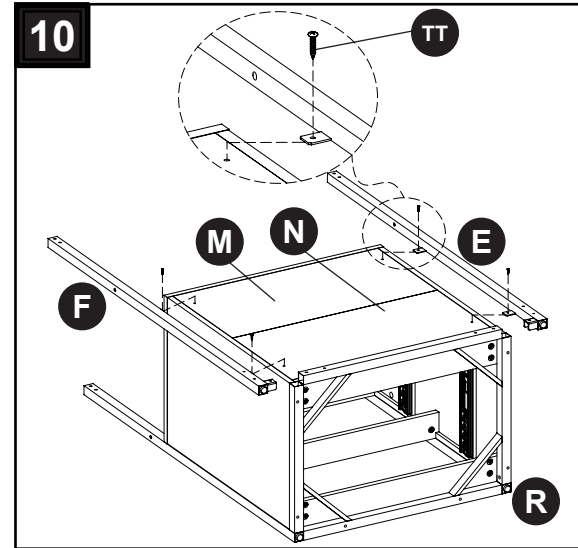


## ASSEMBLY INSTRUCTIONS

10. Position lower left back post (E) & lower right back post (F) to the bottom frame (R), and attach to upper backplane (M) & lower backplane (N), Secure in place with M4 x 12 mm screws (TT) as shown in figure.

### Hardware Used

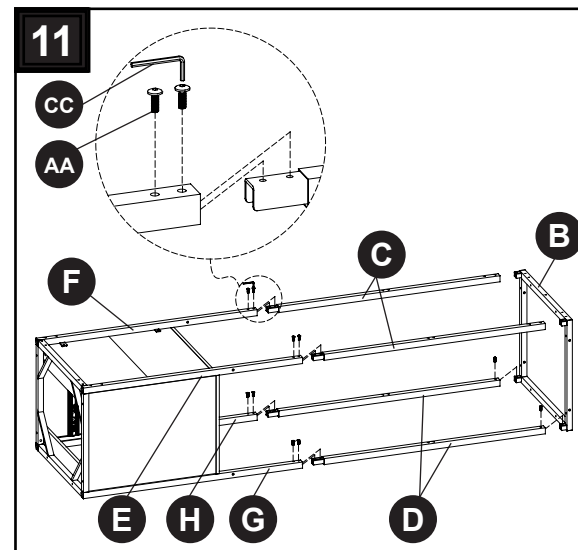
**TT** M4 x 12 mm Screw  x 4



11. Attach upper back post (C) to lower left back post (E) & lower right back post (F), and attach upper front post (D) to lower left front post (G) & lower right front post (H), and then attach top frame (B) to upper back post (C) and upper front post (D), using 1/4" x 12 mm bolts (AA), tighten with hex wrench (CC) as shown in figure.

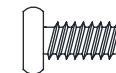

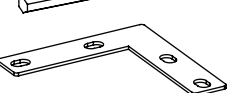
### Hardware Used

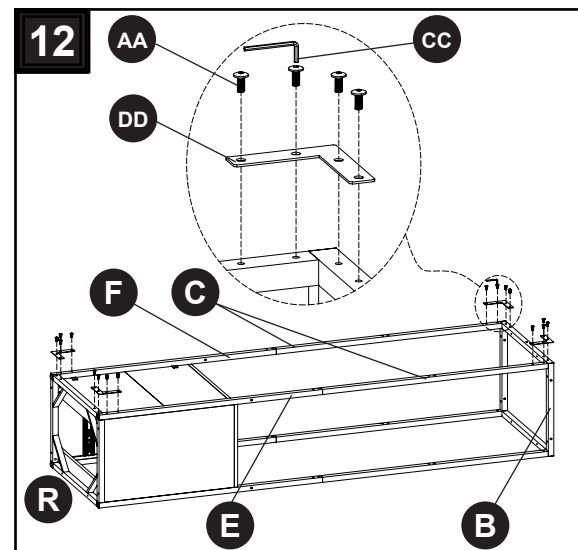
**AA** 1/4" x 12 mm Bolt  x 10  
**CC** Hex Wrench  x 1



12. Attach L-bracket (DD) to assembled back of top frame (B) & upper back post (C) & lower left back post (E) & lower right back post (F) & bottom frame (R), using 1/4" x 12 mm bolts (AA), tighten with hex wrench (CC).

### Hardware Used

**AA** 1/4" x 12 mm Bolt  x 16  
**CC** Hex Wrench  x 1  
**DD** L-bracket  x 4

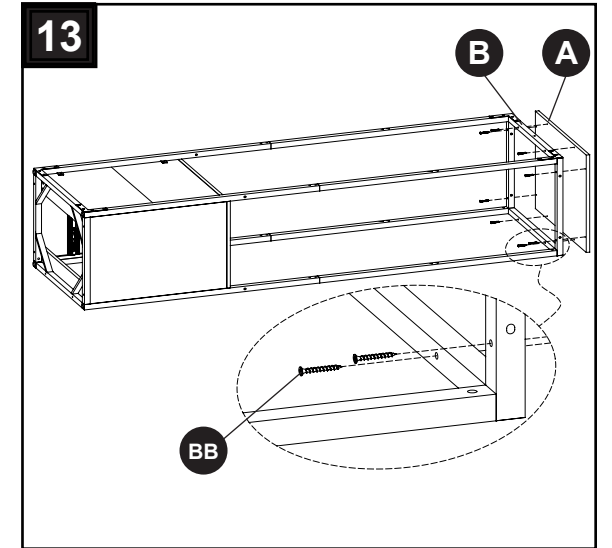


## ASSEMBLY INSTRUCTIONS

13. Attach top panel (A) to top frame (B), secure in place with M4 x 35 mm screws (BB).

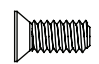

### Hardware Used

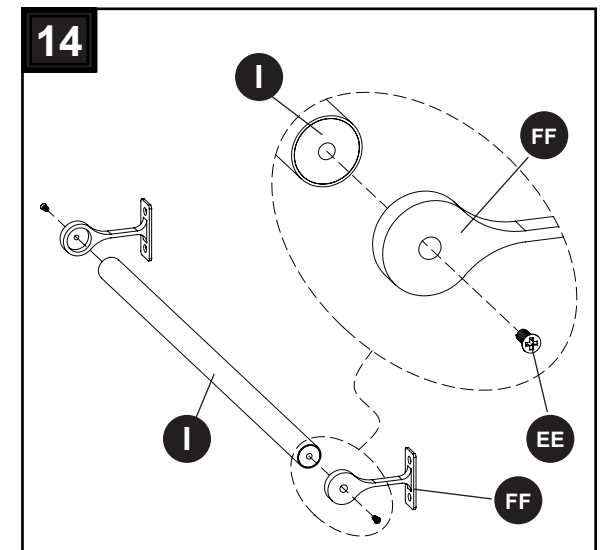
**BB** M4 x 35 mm Screw  x 8



14. Attach pole holders (FF) to metal pole (I), securing with M4 x 15 mm bolts (EE).

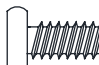

### Hardware Used

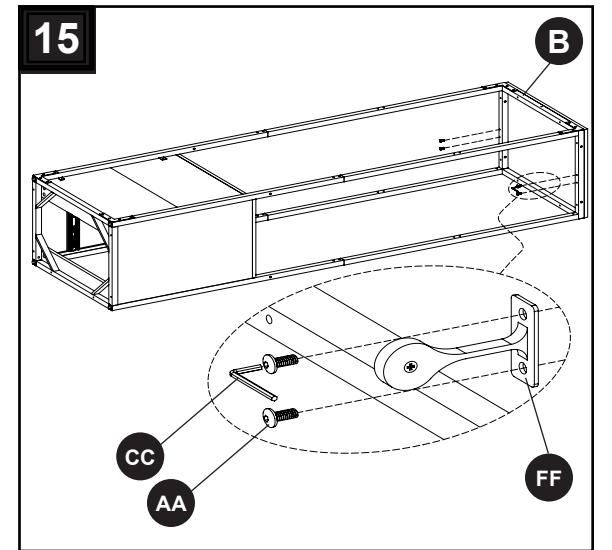
**EE** M4 x 15 mm Bolt  x 2  
**FF** Pole Holder  x 2



15. Attach pole holders (FF) to top frame (B), using 1/4" x 12 mm bolts (AA), tighten with hex wrench (CC).

### Hardware Used

**AA** 1/4" x 12 mm Bolt  x 4  
**CC** Hex Wrench  x 1



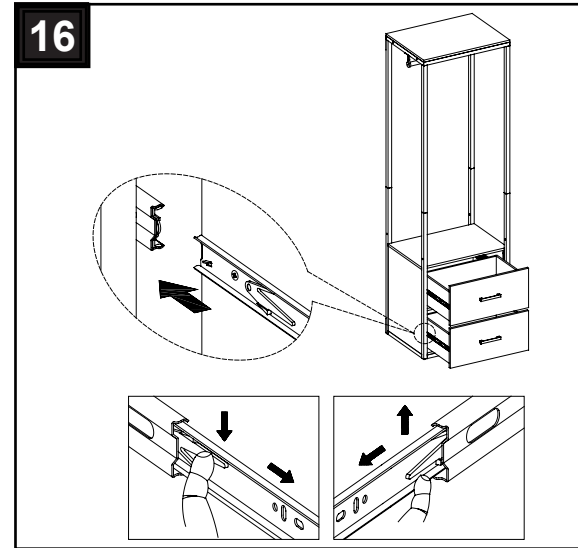


## ASSEMBLY INSTRUCTIONS

### 16. Drawer installation

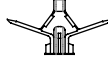
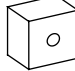
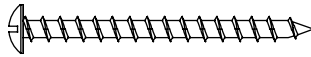
- 1a. Extend the ball bearing slide tracks on the unit all the way forward (including ball bearing cart).
- 1b. Align the slide runners on the assembled drawers with the slide tracks and push the drawer carefully inside until it stops.

NOTE: If the drawer does not go in smoothly, please take it out and repeat the step. If you need to remove the drawer, please pull the drawer all the way out, then simultaneously pushes the plastic release lever of the ball bearing slides up on one side and down on the other side, and then pull it completely out.

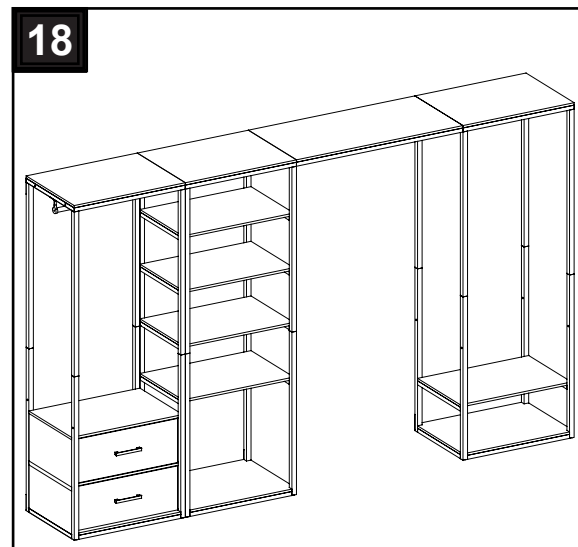
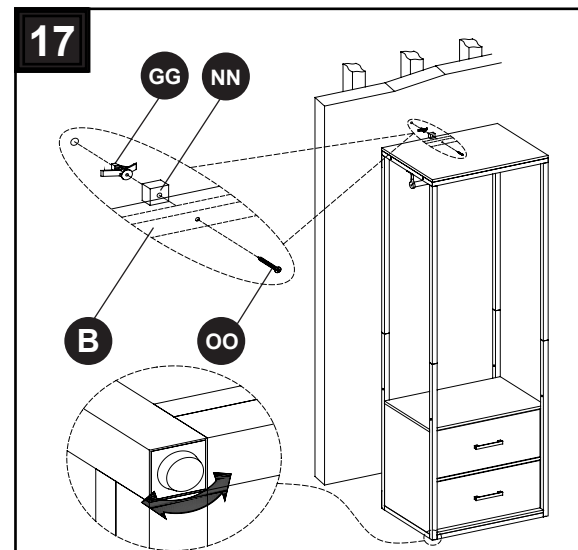


17. Adjust floor levelers to level the unit against the wall where desired. Using top frame (B) as a template, mark one mounting holes location on the wall. Drill one pilot holes into the wall where previously marked. Make sure that the drilled holes can fit for the wall anchors (sold separately) properly. Press the anchors into the holes and gently tap with a hammer until flush in the holes. If the mounting hole coincides with a wooden stud, there is no need wall anchor. Align top frame (B) and back crossers (NN) over the drywall anchors (GG) and secure with M5 x 65 mm screw (OO). Tighten securely with phillips screwdriver.

### Hardware Used

<b>GG</b> Drywall Anchor		x 1
<b>NN</b> Back Crosser		x 1
<b>OO</b> M5 x 65 mm Screw		x 1

18. If you buy more than one unit, you can collect more style.

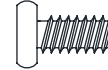

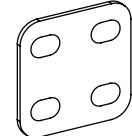


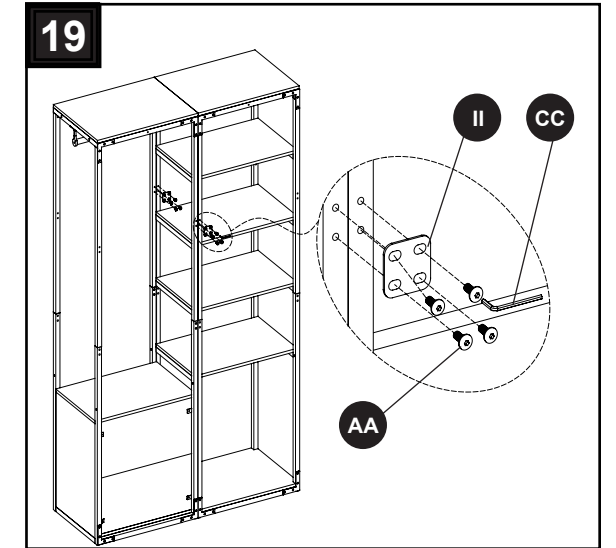
## ASSEMBLY INSTRUCTIONS

19. Secure units together by attaching the metal plates (II) with the 1/4" x 12 mm bolts (AA) into the holes, tighten with hex wrench (CC).

NOTE: Must install step 17 for all secured units

### Hardware Used

<b>AA</b> 1/4" x 12 mm Bolt		x 6
<b>CC</b> Hex Wrench		x 1
<b>II</b> Metal Plate		x 2



### CARE AND MAINTENANCE

- Periodically check to make certain all components are properly positioned, free from damage and firmly connected.
- Use a soft, clean cloth that will not scratch the surface when dusting.
- Never use water to clean the furniture as it may cause damage to the finish.
- Wipe clean using a damp cloth and a mild cleaner. Wipe dry with a clean cloth.
- In the event that the furniture is stained or otherwise damaged during use, it is recommended you call a professional to repair the furniture.
- Keep furniture away from direct sunlight as it may damage the finish.
- It is best to keep the furniture in a climate-controlled environment. Extreme temperature and humidity changes can cause fading, warping, shrinking and splitting of wood.

### LIMITED LIFETIME WARRANTY

This product is warranted to the original purchaser. If there is a failure in this unit due to defects in materials or workmanship, the manufacturer will repair or replace this item at our discretion without charge. Warranty is void if product has been assembled incorrectly, misused, abused by overloading, altered in any way or damaged due to accident. This warranty is not transferable and does not cover chipping, flaking, scratches, rust, dents, or other damages to the surfaces of this product. Responsibility of the manufacturer is limited to repair or replacement of this product. The manufacturer is not responsible for consequential, incidental, or other damages or losses resulting from product failure.

This warranty is in lieu of all other expressed warranties. Some states do not allow the exclusion or limitation of incidental or consequential damages, so the above limitation may not apply to you. This warranty gives you specific legal rights and you may have other rights which vary from state to state.

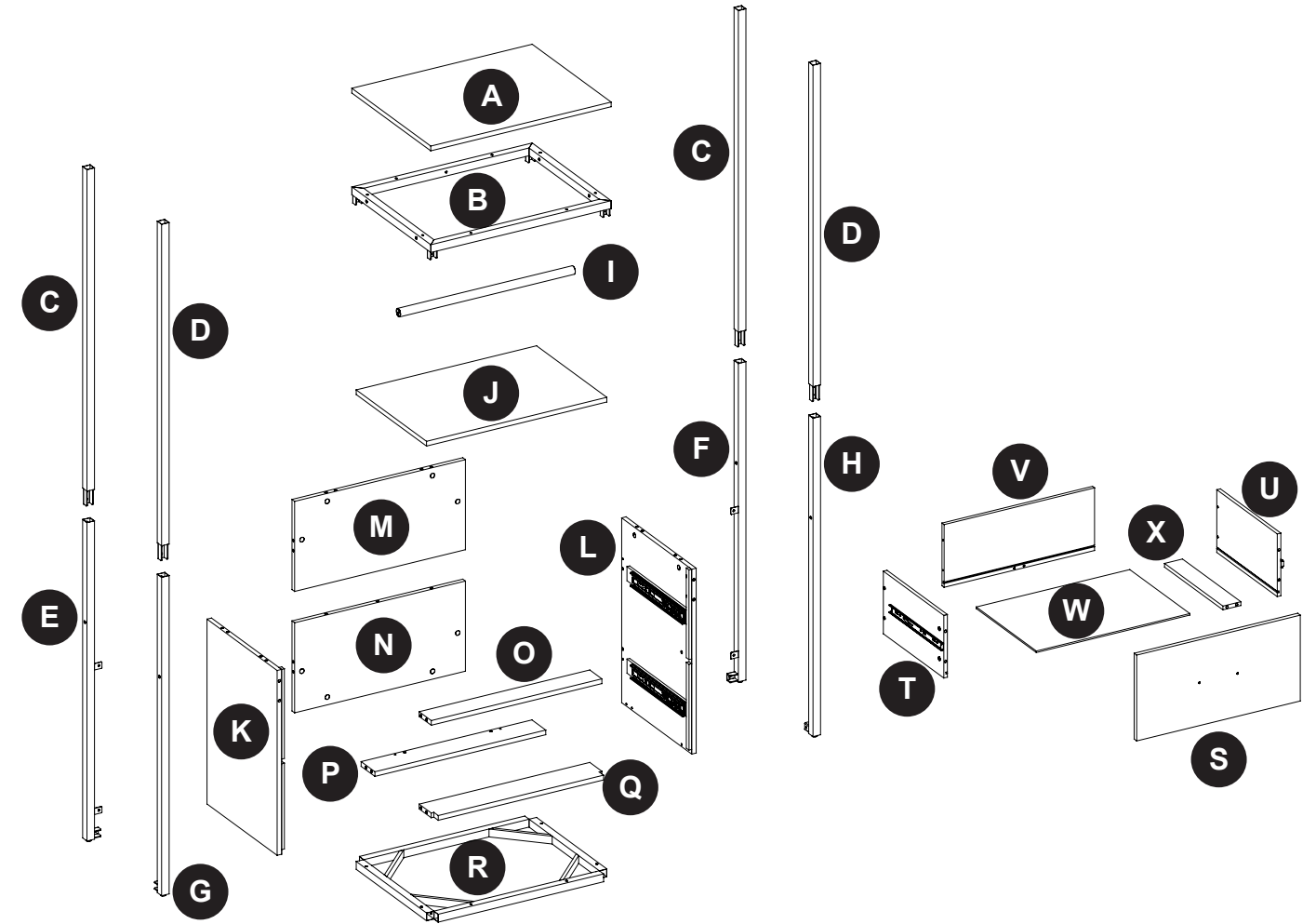
## REPLACEMENT PARTS LIST

For replacement parts, call our customer service department at 1-877-888-8225, 8 a.m. - 8 p.m., EST, Monday - Sunday.

PART	DESCRIPTION	PART #
A	Top Panel	00LWUSTCD-A
B	Top Frame	00LWUSTCD-B
C	Upper Back Post	00LWUSTCD-C
D	Upper Front Post	00LWUSTCD-D
E	Lower Left Back Post	00LWUSTCD-E
F	Lower Right Back Post	00LWUSTCD-F
G	Lower Left Front Post	00LWUSTCD-G
H	Lower Right Front Post	00LWUSTCD-H
I	Metal Pole	00LWUSTCD-I
J	Shelf	00LWUSTCD-J
K	Left Side Panel	00LWUSTCD-K
L	Right Side Panel	00LWUSTCD-L
M	Upper Backplane	00LWUSTCD-M
N	Lower Backplane	00LWUSTCD-N
O	Middle Front Stretcher	00LWUSTCD-O
P	Bottom Back Stretcher	00LWUSTCD-P
Q	Bottom Front Stretcher	00LWUSTCD-Q
R	Bottom Frame	00LWUSTCD-R
S	Drawer Front	00LWUSTCD-S
T	Drawer Left	00LWUSTCD-T
U	Drawer Right	00LWUSTCD-U
V	Drawer Back	00LWUSTCD-V
W	Drawer Bottom	00LWUSTCD-W
X	Drawer Stretcher	00LWUSTCD-X

## REPLACEMENT PARTS LIST

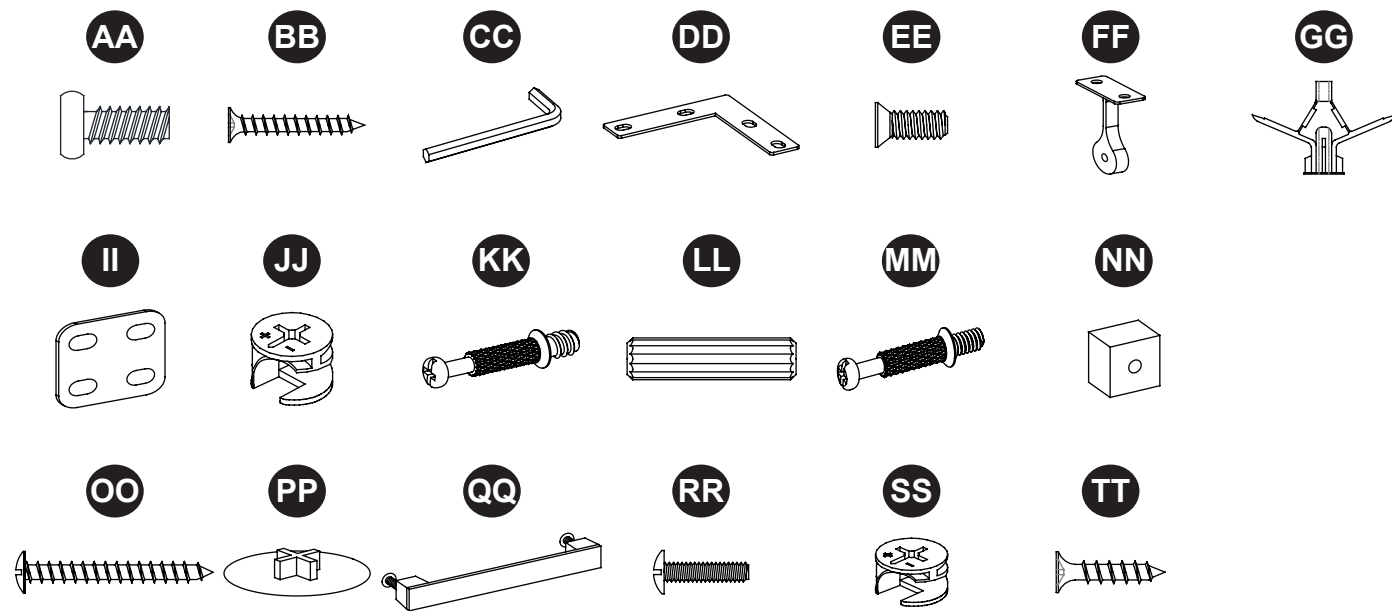
For replacement parts, call our customer service department at 1-877-888-8225, 8 a.m. - 8 p.m., EST, Monday - Sunday.



## REPLACEMENT PARTS LIST

For replacement parts, call our customer service department at 1-877-888-8225, 8 a.m. - 8 p.m., EST, Monday - Sunday.

PART	DESCRIPTION	PART #
AA	1/4" x 12 mm Bolt	00LWUSTCD-AA
BB	M4 x 35 mm Screw	00LWUSTCD-BB
CC	Hex Wrench	00LWUSTCD-CC
DD	L-bracket	00LWUSTCD-DD
EE	M4 x 15 mm Bolt	00LWUSTCD-EE
FF	Pole Holder	00LWUSTCD-FF
GG	Drywall Anchor	00LWUSTCD-GG
II	Metal Plate	00LWUSTCD-II
JJ	Cam Lock	00LWUSTCD-JJ
KK	Cam Tapping Bolt	00LWUSTCD-KK
LL	Wood Dowel	00LWUSTCD-LL
MM	Cam Bolt	00LWUSTCD-MM
NN	Back Crosser	00LWUSTCD-NN
OO	M5 x 65 mm Screw	00LWUSTCD-OO
PP	Plastic Cover	00LWUSTCD-PP
QQ	Handle	00LWUSTCD-QQ
RR	5/32" x 25 mm Bolt	00LWUSTCD-RR
SS	Small Cam Lock	00LWUSTCD-SS
TT	M4 x 12 mm Screw	00LWUSTCD-TT
CH	Complete Hardware	00LWUSTCD-CH



Date: 2022-10-05  
Rev. 0001-A

Printed in Vietnam