



# VANITY ASSEMBLY INSTRUCTIONS

THANK YOU FOR YOUR PURCHASE !

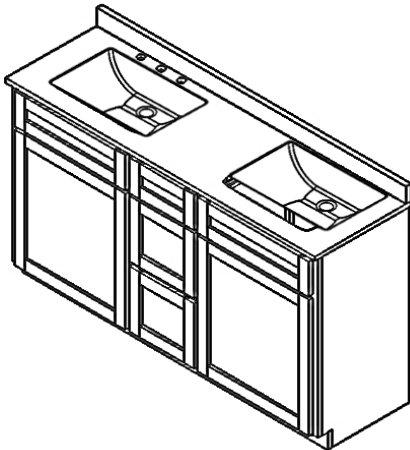
FOR PARTS REPLACEMENT REQUEST, PLEASE CONTACT US AT 1-866 9425362

OR EMAIL: PARTS@WHALENFURNITURE.COM

READ ALL THE INSTRUCTIONS AND IDENTIFY ALL COMPONENTS AND CHOOSE YOUR CONFIGURATION AND BE SURE YOU HAVE ALL PARTS  
TWO PEOPLE ARE NEEDED TO ASSEMBLE

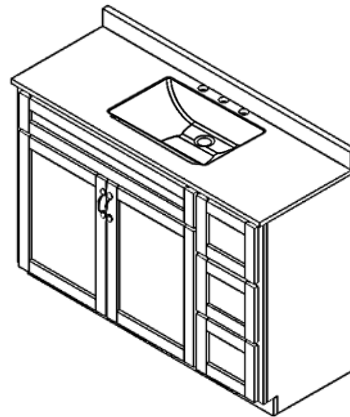
### ECLIS60-VW

60" VANITY LISBOA 5 DRW



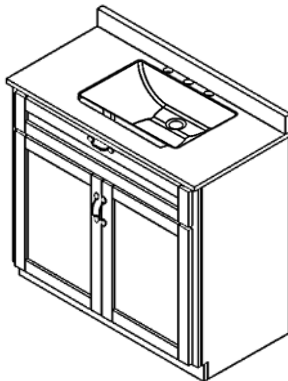
### ECLIS48-VW

48" VANITY LISBOA 4 DRW



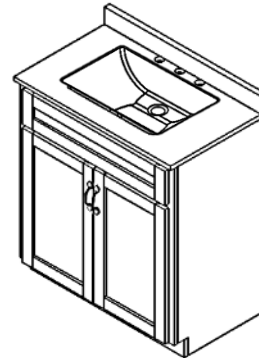
### ECLIS36-VW

36" VANITY LISBOA 1 DWR



### ECLIS30-VW

30" VANITY LISBOA 1 DWR



#### LISBOA 30"(1 DRAWER)

ECLIS30-VW 1 DRS VANITY WHITE  
ECLAG30-VG 1 DRS VANITY GRAY

#### LISBOA 36 (1 DRAWER)

ECLIS36-VW 1 DRW VANITY WHITE  
ECLAG36-VG 1 DRW VANITY GRAY

#### LISBOA 48 (4 DRAWER)

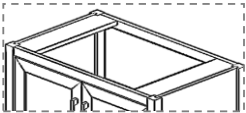
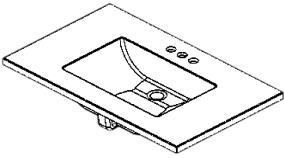
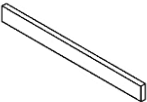


ECLIS48-VW 4 DRW VANITY WHITE  
ECLAG48-VG 4 DRW VANITY GRAY

#### LISBOA 60 (5 DRAWER)

ECLIS60-VW 5 DRW VANITY WHITE  
ECLAG60-VG 5 DRW VANITY GRAY

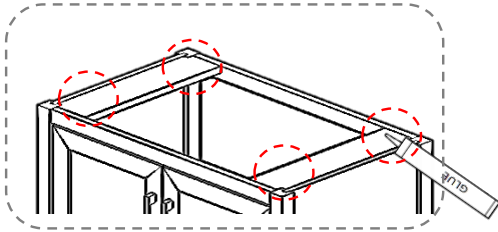
**TIPS: SEE ILLUSTRATION  
BELOW**

**TOOLS NEEDED**  
GLUE (NOT INCLUDED)

<b>LIST OF CONTENTS</b> <b>VANITY</b> A.- VANITY (1) B.-SINK (1) C.-BACK SPLASH (1) D.-PANEL (4) E.- GLUE (1)	 (A) VANITY ( 1 PCS )	 (B) SINK ( 1 PCS )	 (C) BACK SPLASH ( 1 PCS )	 (D) PANEL( 4 PCS )	<b>NOT INCLUDED</b>  (E) GLUE ( 1 PCS )
---	---	---	--	---	--

**Before beginning:**

- 1.- Unpack all parts and hardware to ensure you have all needed components for assembly.
- 2.- Read this guide cover before beginning assembly.
- 3.- Have 2 adults on hand for assembly.
- 4.- Save all packaging until finished.

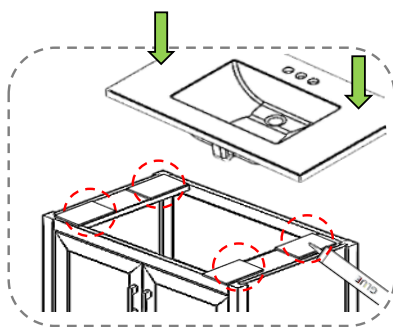
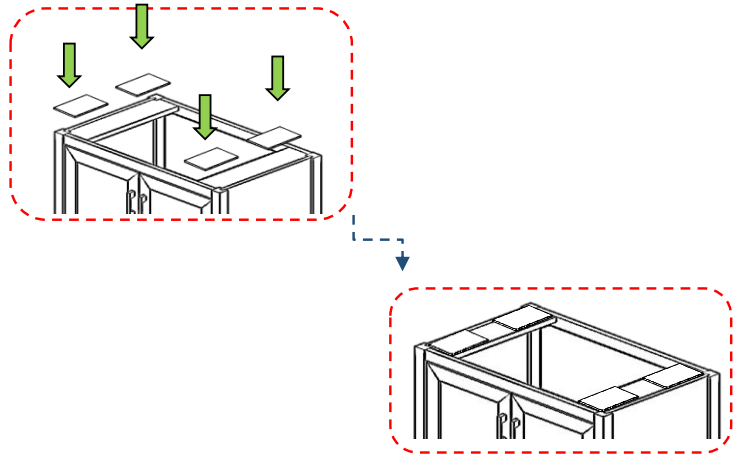


**STEP #1**

Prepare the glue (E) and place it on the corners of both boards of the vanity (A) as shown in the picture.

**STEP #2**

-Immediately take four panels (D) and place them on top of the glue previously placed.



**STEP #3**

-Place the glue (E) on top of the four panels.  
-Carefully, place the sink (B) on top of the vanity (A).

**STEP #4**

-Finally, place glue centered on both sides on top of the sink (B) and flush with the back and immediately place the back splash (C) on top of the glue previously placed. .

