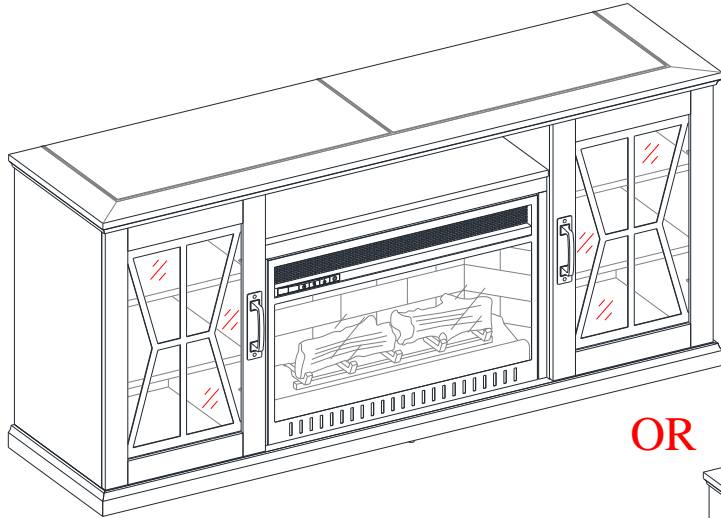




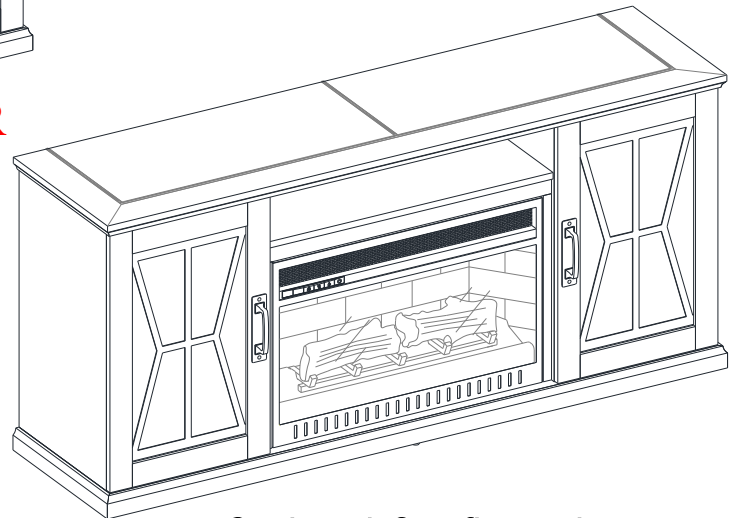
LOT NUMBER: \_\_\_\_\_  
DATE PURCHASED: \_\_/\_\_/\_\_

# Linwood 60in Fireplace Console

Model # MNFP60LW26IO



OR



Optional Configuration

## ADULT ASSEMBLY REQUIRED

If you have any questions regarding assembly or if parts are missing, DO NOT return this item to the store where it was purchased. Please call our toll-free customer service number and have your instructions and parts list ready to provide the model name, part name or factory number:

**1-866-942-5362**

Pacific Standard Time: 8:30 a.m. - 4:30 p.m., Monday - Friday

Or visit our web site 24 hours a day, 7 days a week for product assistance at

**[www.whalenfurniture.com](http://www.whalenfurniture.com)**

Or e-mail your request to **[parts@whalenfurniture.com](mailto:parts@whalenfurniture.com)**

**THIS INSTRUCTION BOOKLET CONTAINS IMPORTANT SAFETY INFORMATION.  
PLEASE READ AND KEEP FOR FUTURE REFERENCE.**

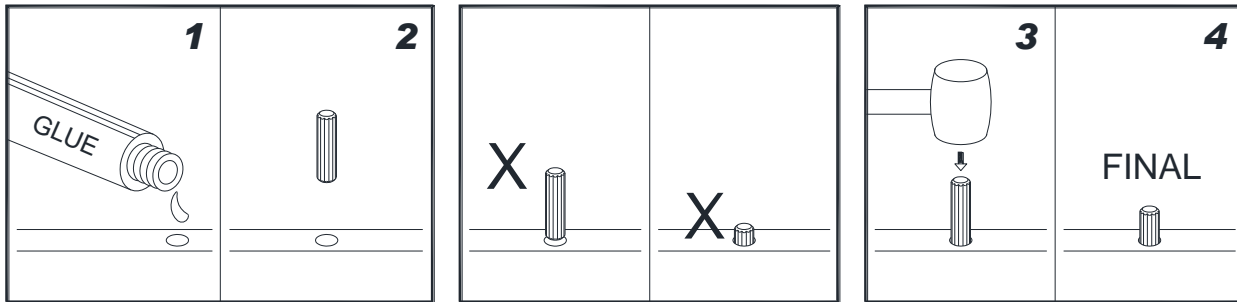
Date 2020-05-26 Rev. 0001-A

## IMPORTANT

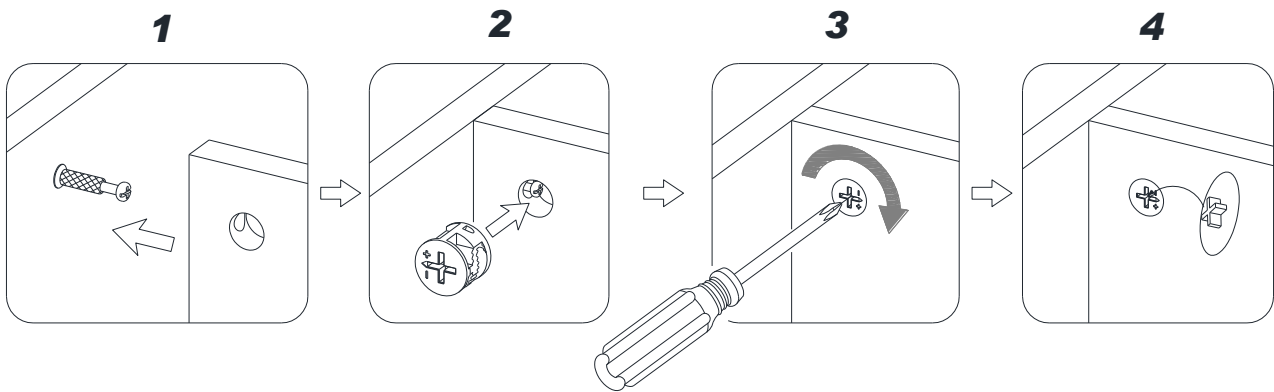
**Before you begin:** Open, identify and count all parts prior to assembly. Lay out parts on a flat and non-abrasive surface. You will need the parts identified on page 3 and 4 of this instruction manuals.

**NOTE:** IT IS VERY IMPORTANT TO USE GLUE WITH THE DOWELS. EXCESS GLUE CAN BE WIPED OFF WITH A DAMP CLOTH.

Insert dowel at least half way by tapping lightly with a rubber mallet (not included), IF NECESSARY.



## CAM LOCK SYSTEM OPERATION



## HOW THE KNOCK DOWN (KD) ASSEMBLY SYSTEM WORKS

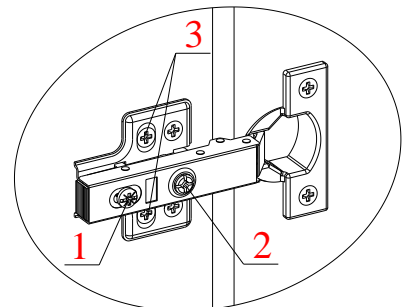
1. Screw the Cam Bolt into the pre-drilled small holes on the panel. Connect both panels together; making sure the Cam Bolt goes into the pre-drilled hole at the end of the panel with the Cam Lock.
2. Insert the Cam Lock into the pre-drilled large hole in the panel. Make sure the arrow on the Cam Lock is pointed towards the Cam Bolt.
3. Once the Cam Bolt is connected inside the Cam Lock, take a Phillips screwdriver (not included) and tighten the Cam Lock clockwise.
4. Plug the Cam Lock Cover into the cross slot of the Cam Locks to conceal the cam.

You are now ready to assemble the KD unit.

## How to adjust the European adjustable hinges on doors?

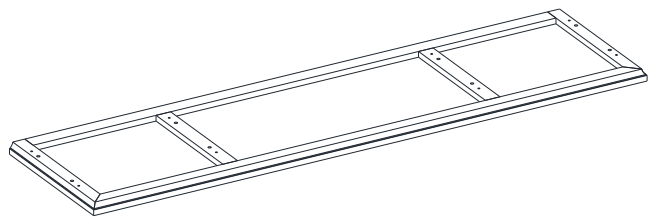
Shipping may cause doors to become out of alignment. If you find that the doors need to be adjusted slightly, turn the appropriate screw as illustrated below.

1. TO ADJUST DOOR FORWARD OR BACKWARD.
2. TO ADJUST DOOR TO RIGHT OR TO LEFT.
3. TO ADJUST DOOR UP OR DOWN.

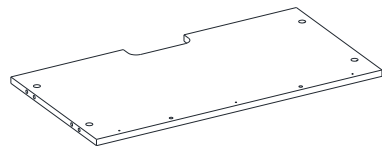


# Parts and Hardware List

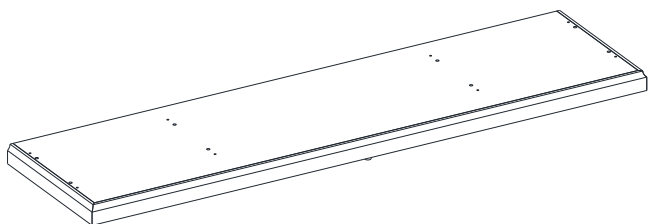
Please read completely through the instructions and verify that all listed parts and hardware are present before beginning assembly.



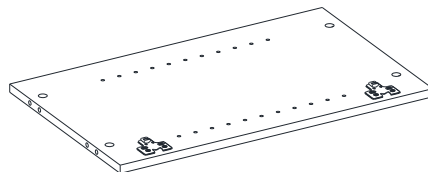
A- Top Panel (Qty. 1)



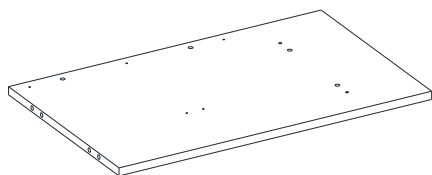
B- Media Shelf (Qty. 1)



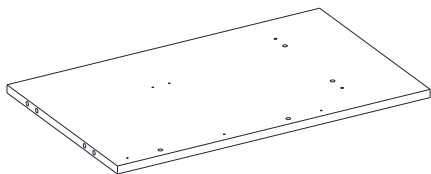
C- Base (Qty. 1)



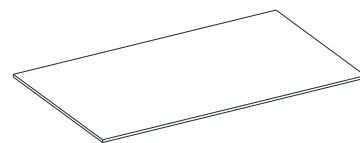
D- Side Panel (Qty. 2)



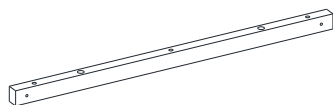
E- Left Partition Panel (Qty. 1)



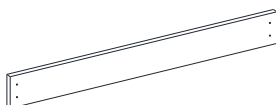
F- Right Partition Panel (Qty. 1)



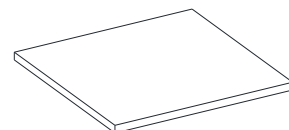
G- Wood Door Panel (Qty. 2)



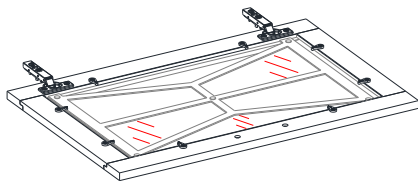
H- Middle Stile (Qty. 2)



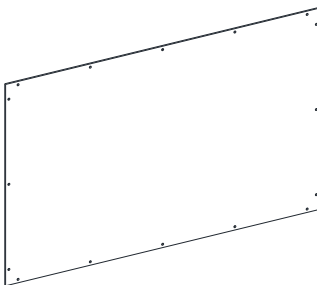
I- Firebox Support (Qty. 1)



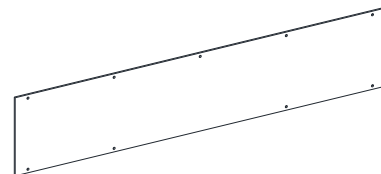
J- Adjustable Shelf (Qty. 4)



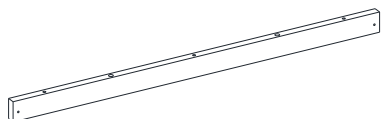
K- Door (Qty. 2)



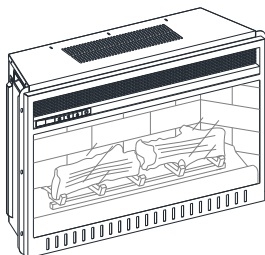
L- Side Back Panel (Qty. 2)



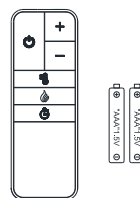
M- Middle Back Panel (Qty. 1)



N- Middle Crossbar (Qty. 1)



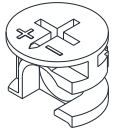
Fireplace Insert (Qty. 1)



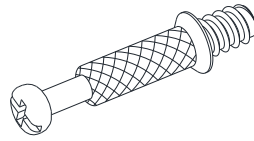
Remote Control with Battery (Qty. 1)

## Parts and Hardware List

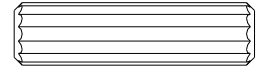
Please read completely through the instructions and verify that all listed parts and hardware are present before beginning assembly.



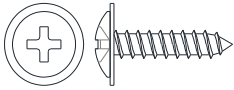
(1) Cam Lock  
(Qty. 20+1 extra)



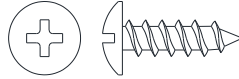
(2) Cam Bolt  
(Qty. 20+1 extra)



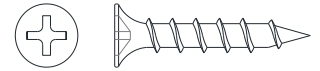
(3) M8 x 30 mm Wood Dowel  
(Qty. 22+1 extra)



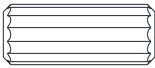
(4) M3.5 x 15 mm Washer Head Screw  
(Qty. 41+2 extra)



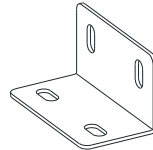
(5) M3.5 x 15 mm Pan Head Screw  
(Qty. 8+1 extra)



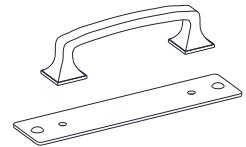
(6) M4 x 25 mm Screw  
(Qty. 6+1 extra)



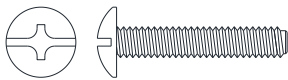
(7) M8 x 20 mm Wood Dowel  
(Qty. 4+1 extra)



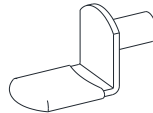
(8) L-shaped Metal Bracket  
(Qty. 2)



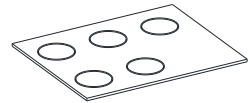
(9) Handle with Metal Plate  
(Qty. 2)



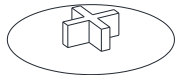
(10) 5/32'' x 22 mm Bolt  
(Qty. 4+1 extra)



(11) Shelf Support  
(Qty. 16+1 extra)



(12) Rubber Bumper  
(Qty. 4+1 extra)



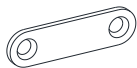
(13) Cam Lock Cover  
(Qty. 16+1 extra)



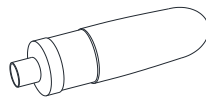
(14) M3.5 x 12 mm Screw  
(Qty. 4+1 extra)



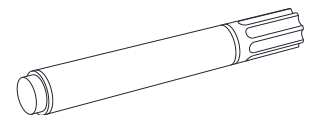
(15) M4 x 32 mm Screw  
(Qty. 3+1 extra)



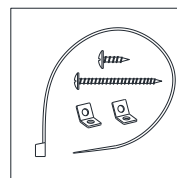
(16) Mending Plate (Qty. 2)



Glue (Qty. 1)



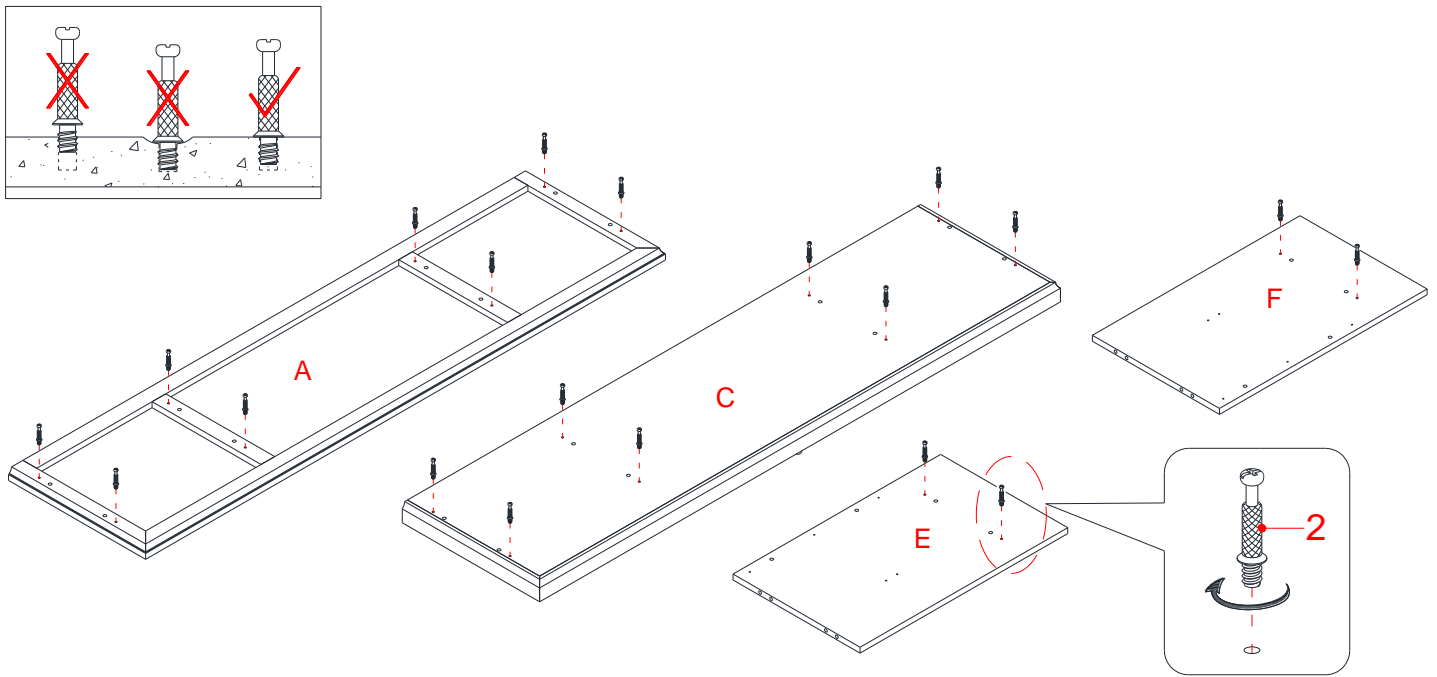
Touch-up Pen (Qty. 1)



Tipping Restraint Hardware Kit (Qty. 2)  
(Included in plastic bag)

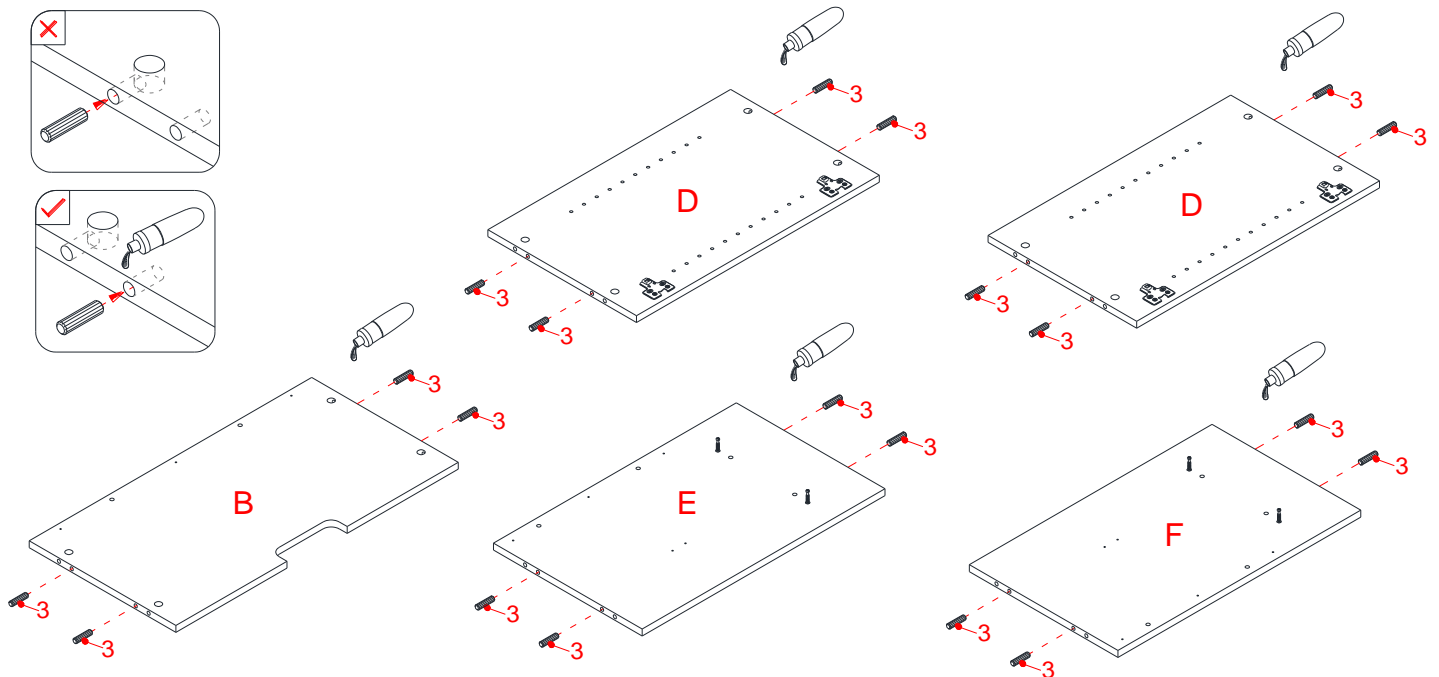
**Tools required (not included):** Phillips screwdriver, stud finder, pencil, tape measure, power drill and 1/8 in drill bit.

# Assembly Instructions



1. Unpack the unit and confirm that you have all the hardware and required parts. Assemble the unit on a carpeted floor or the empty carton to avoid any scratch.
2. Securely screw the Cam Bolts (2) into the designated small holes on the Top Panel (A), Base (C) and Partition Panels (E and F) with a Phillips screwdriver.

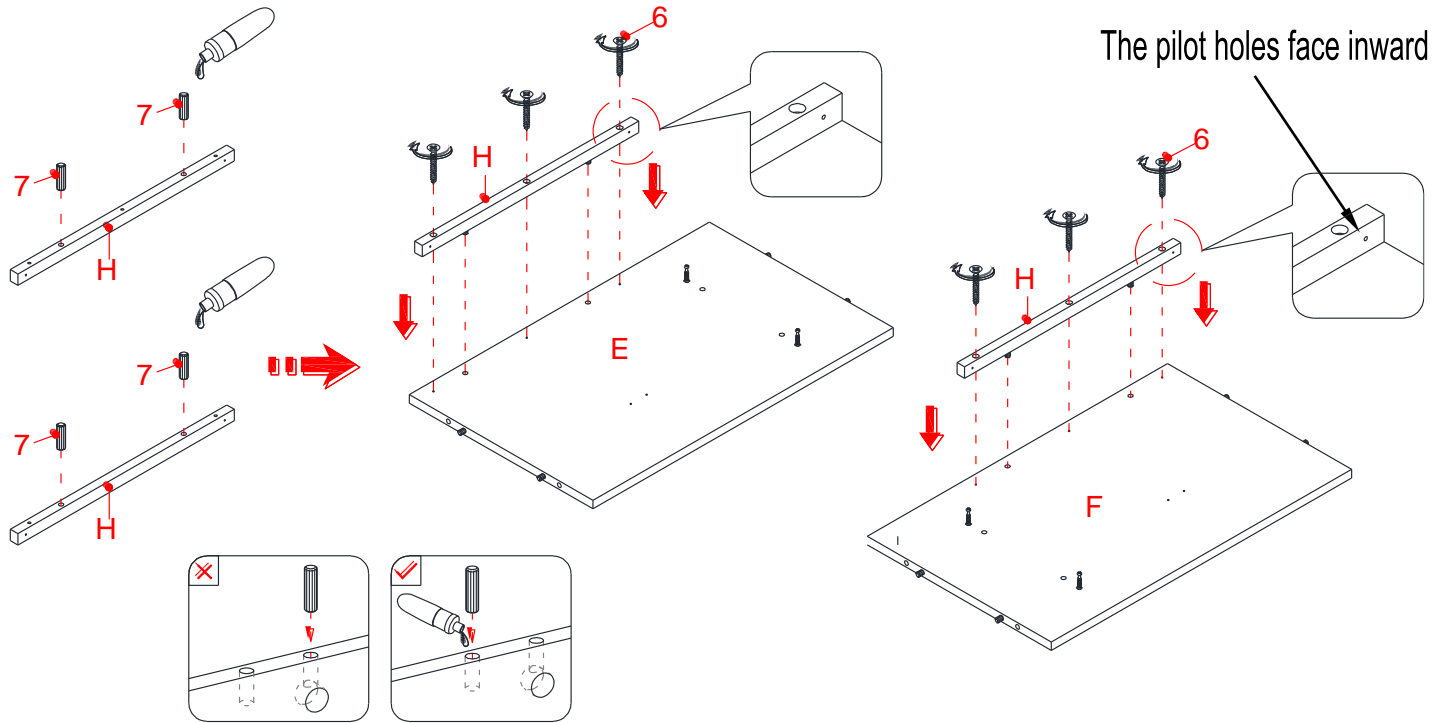
**NOTE:** Screw-in cam bolts must be screwed down flush.



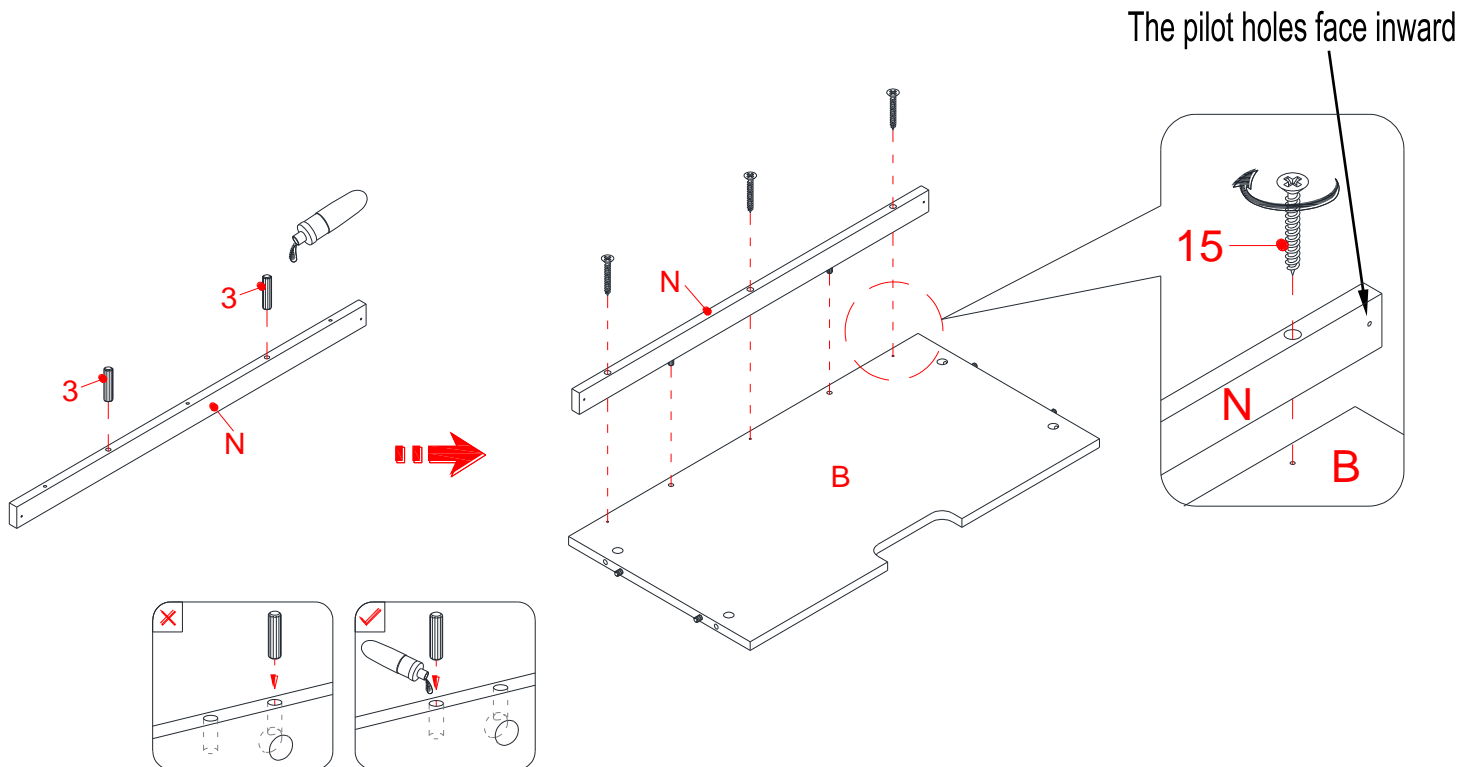
3. Insert twenty 30 mm Wood Dowels (3) into the inner holes on the Media Shelf (B), Side Panels (D) and Partition Panels (E and F). Make sure that you use a small amount of glue with both ends of all dowels.

**NOTE:** It is very important to use a small amount of glue on both ends of dowels.

# Assembly Instructions

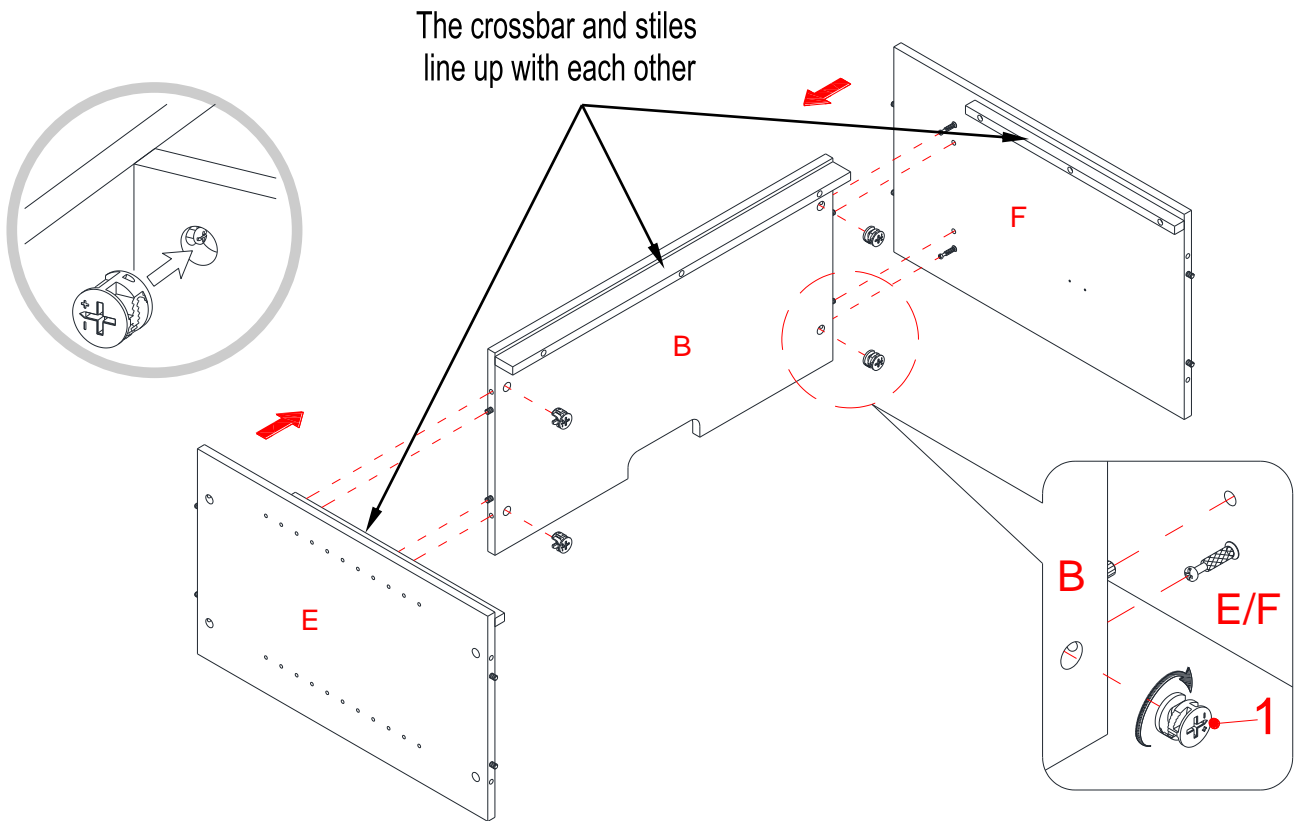


4. Glue two 20 mm Wood Dowels (7) into the inner holes on each Middle Stile (H).
5. Attach the Middle Stiles (H) to the Partition Panels (E and F) respectively with three 25 mm Screws (6) per stile.

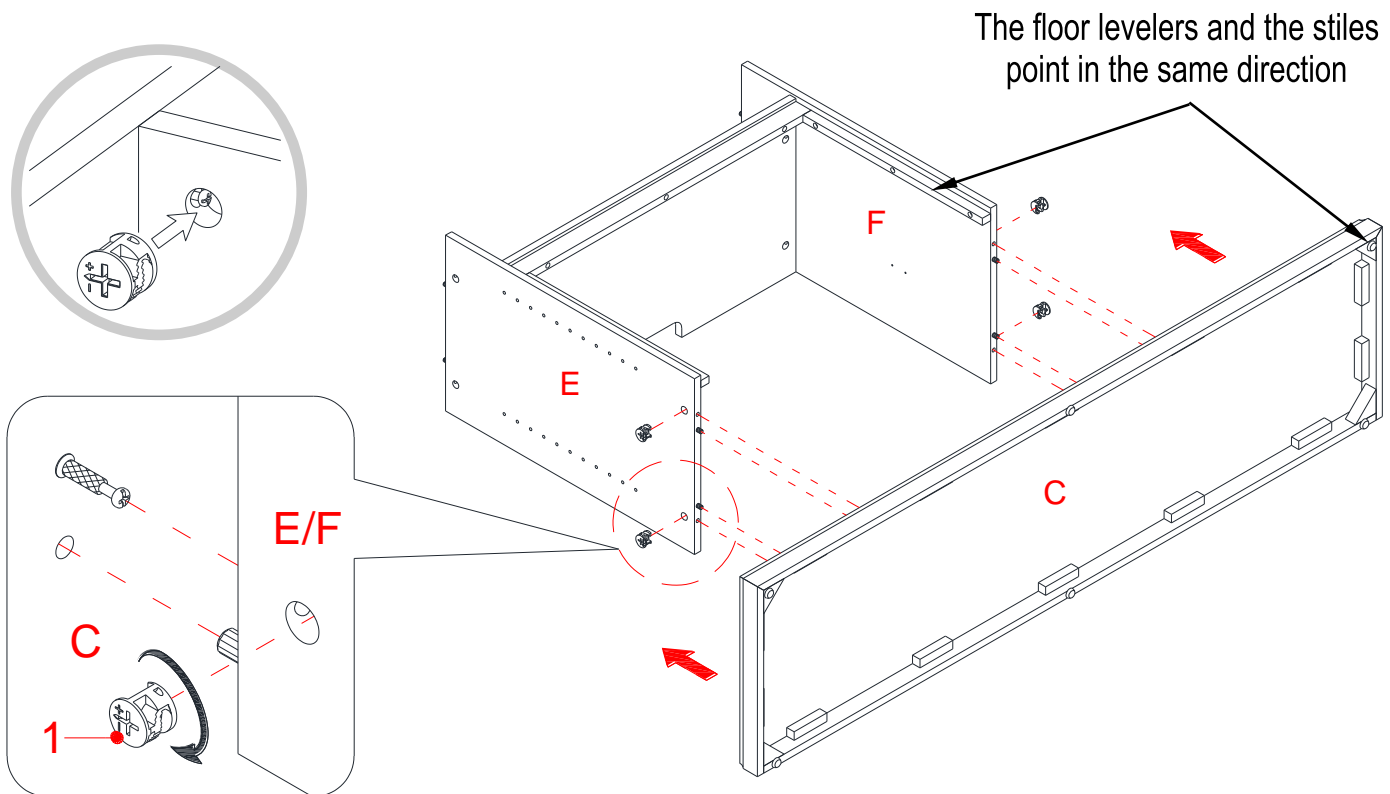


6. Glue two 30 mm Wood Dowels (3) into the inner holes on the Middle Crossbar (N).
7. Attach the Middle Crossbar (N) to the Media Shelf (B) with three 32 mm Screws (15).

## Assembly Instructions



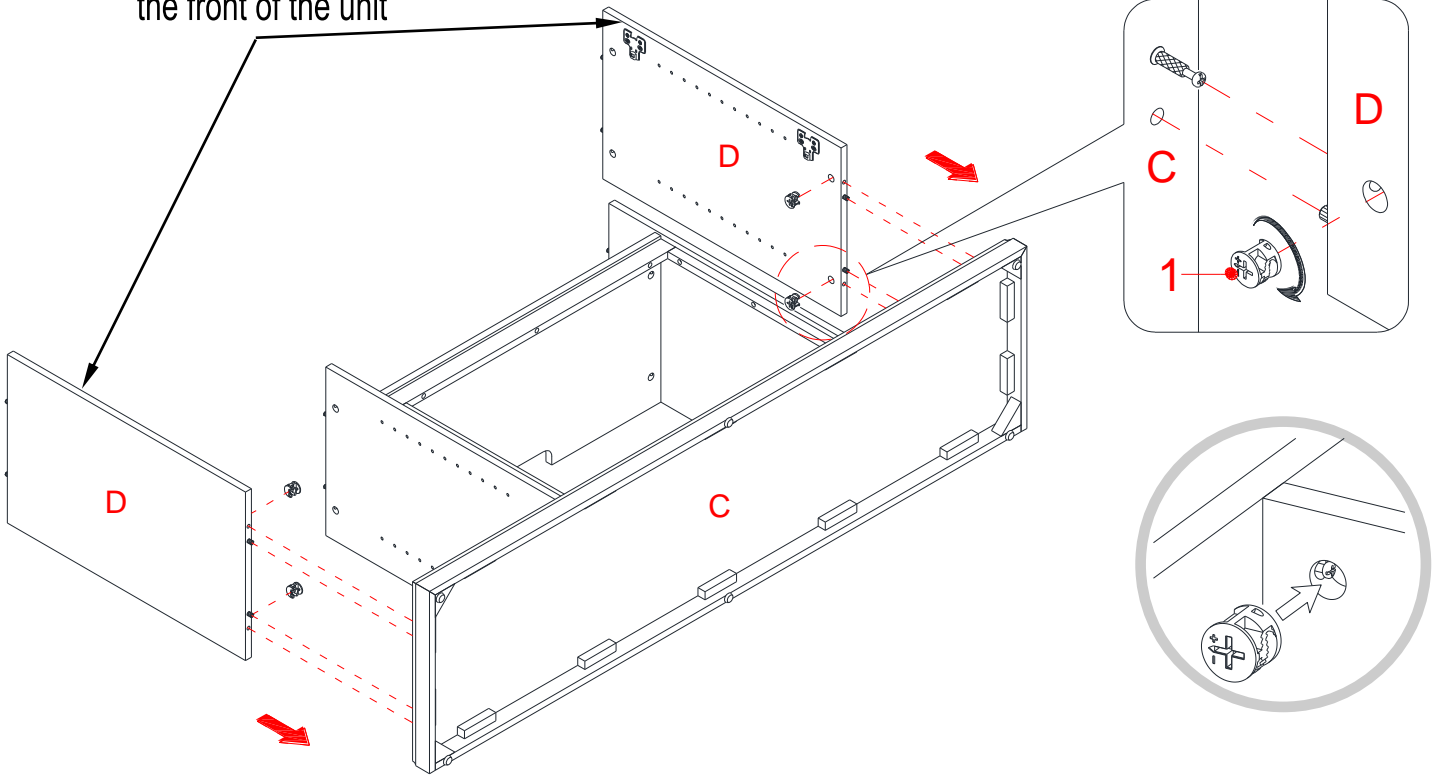
8. Attach the Media Shelf (B) between the Partition Panels (E and F) by engaging four Cam Locks (1) (Refer to page 2 on Cam Lock system operation supplement).



9. Using the wood dowels as a guide, firmly press the assembled Partition Panels (E and F) to the Base (C) and fasten them with four Cam Locks (1).

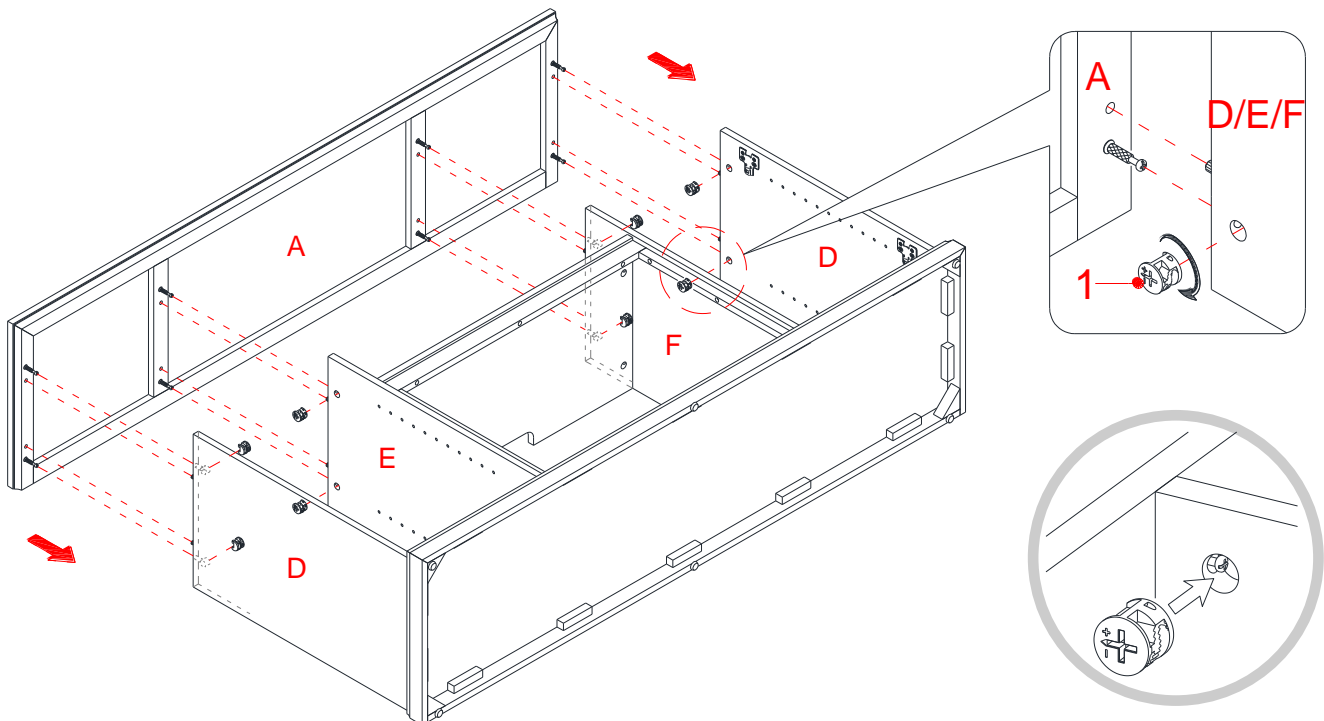
## Assembly Instructions

The mounting plates point toward the front of the unit



10. Pick up one Side Panel (D) and attach it to the Base (C). Firmly press them together and fasten it in place by engaging two Cam Locks (1).

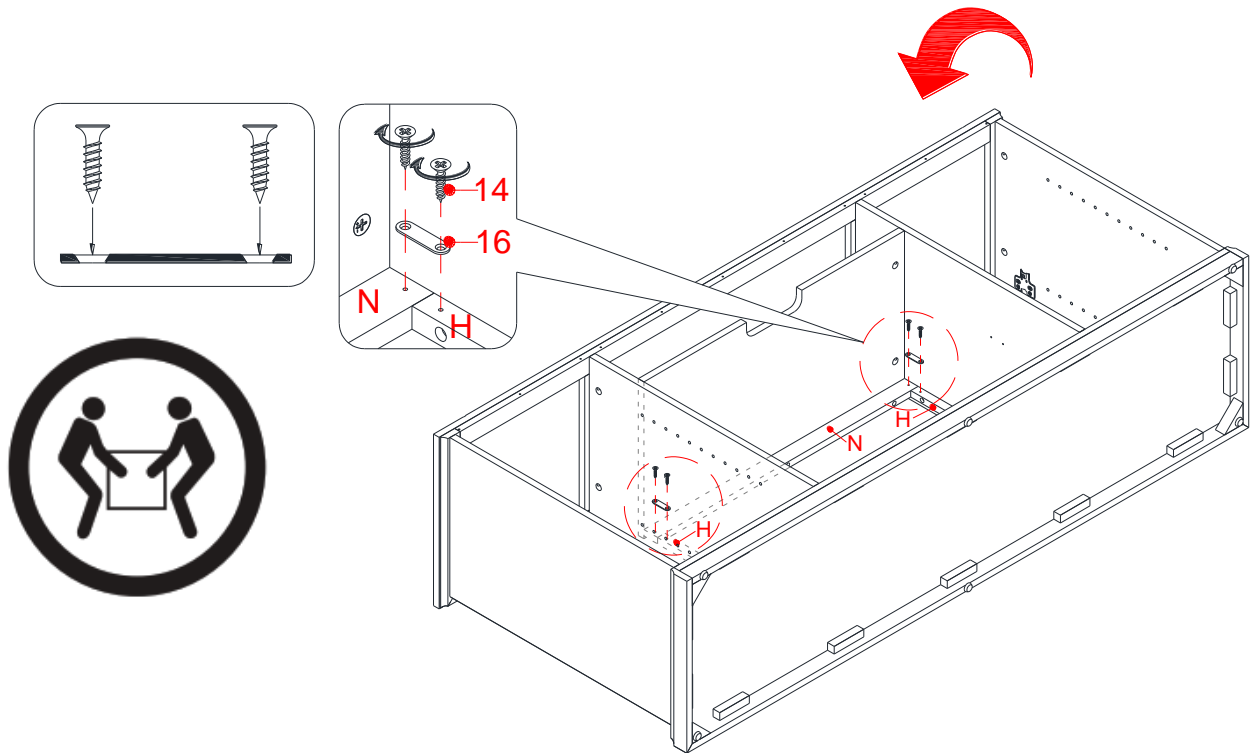
11. Repeat the same procedure to attach the other Side Panel (D) at the other end.



12. Place the Top Panel (A) onto the inserted wood dowels on the vertical panels (D, E and F) properly and fasten it in place by engaging eight Cam Locks (1).

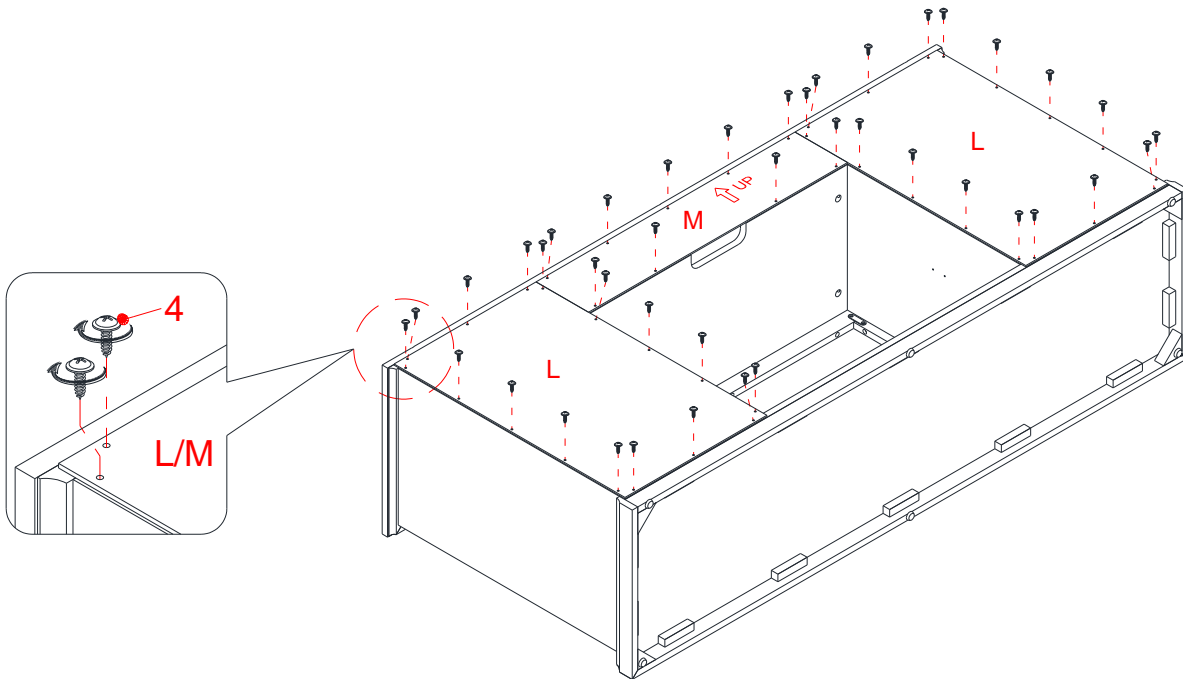


## Assembly Instructions



13. Ask for assistance to flip the unit around at its front edge as shown.

14. With the pilot holes as a guide, fasten the Middle Crossbar (N) to the Middle Stiles (H) by attaching two Mending Plates (16) at the joints, using two 12 mm Screws (14) per plate.



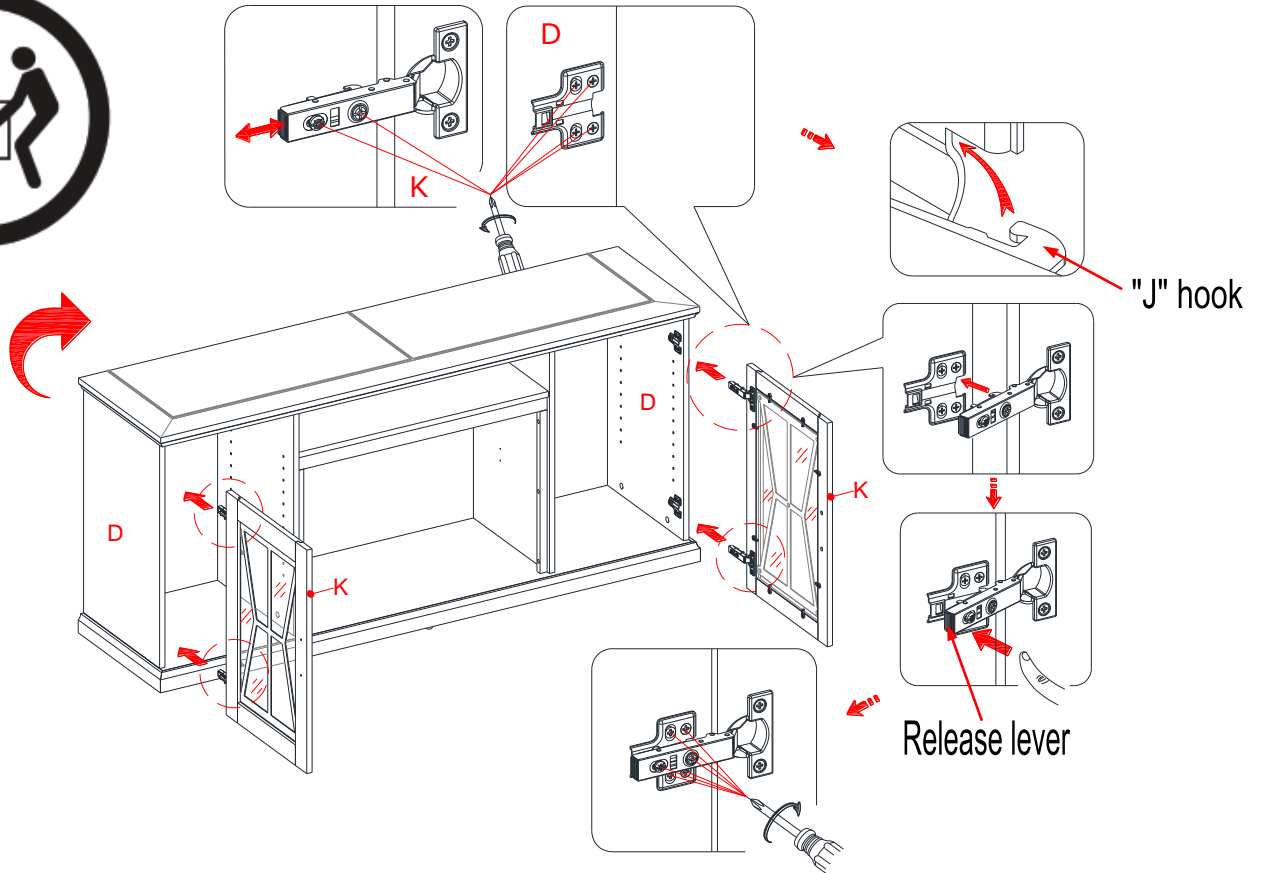
15. Now, go back and securely tighten all the bolts and screws. Make sure that all the parts are tight and there are no gaps between the parts. This will help keep the unit square.

16. Pick up the Middle Back Panel (M) and align the pre-drilled holes against the upper long edge with the pilot holes on the back rail of Top Panel (A). Attach the Middle Back Panel (M) in place with provided 15 mm Washer Head Screws (4).

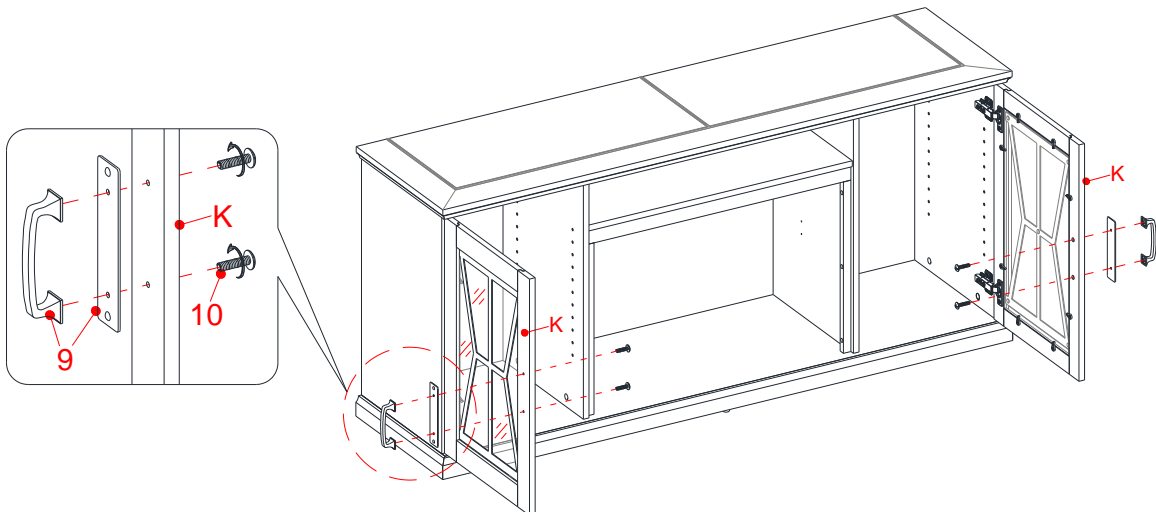
17. Using the pilot holes as a guide, align and attach the Side Back Panels (L) to the mantel frame with the provided 15 mm Washer Head Screws (4).

**NOTE:** We recommend attaching back panel with washer head screws at the corners first.

## Assembly Instructions

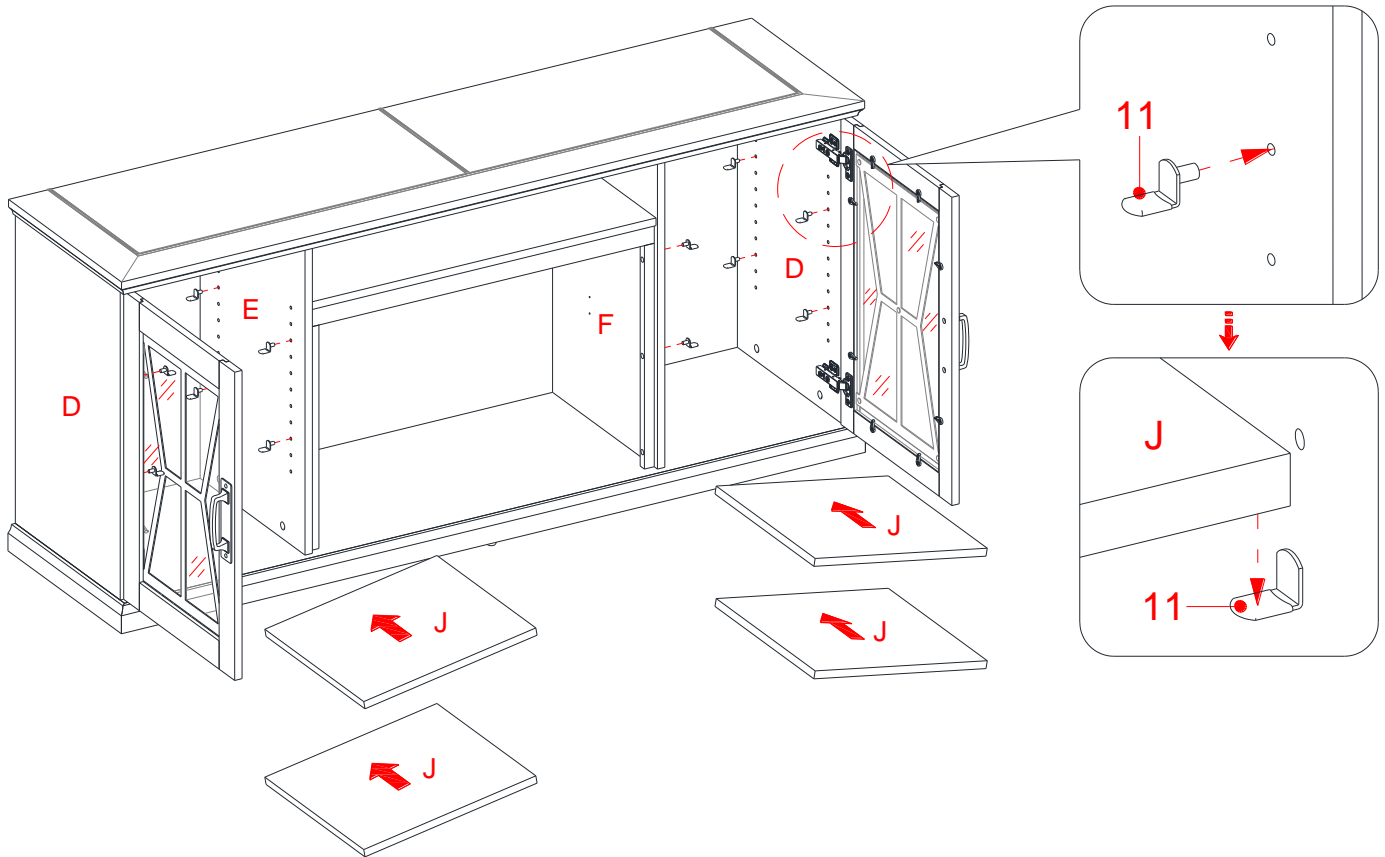


18. Ask for assistance to lift the assembly unit upright and position it near the final installation location.
19. Pick up one Door (K) and attach the extended hinge arms to the mounting plates installed on the one Side Panel (D). Please follow the steps below to combine the door hinges together.
  - a). Extend both hinge arms of the Door (K) to open position.
  - b). Locate the lugs on the mounting plates pre-attached on the Side Panel (D) into the “J” hooks beneath the hinge arms.
  - c) Press lightly on the end of both hinge arms to engage the catch.
  - d) To remove the hinge arms from the mounting plates, press gently in the release lever on the back of hinge arms.
20. Repeat the same procedure to install the other Door (K) to the other Side Panel (D).
21. Open and close the doors to make sure they are aligned and shut correctly. If necessary, adjust the screws for a good fit. Refer to the hinge sticker on door for adjustment.

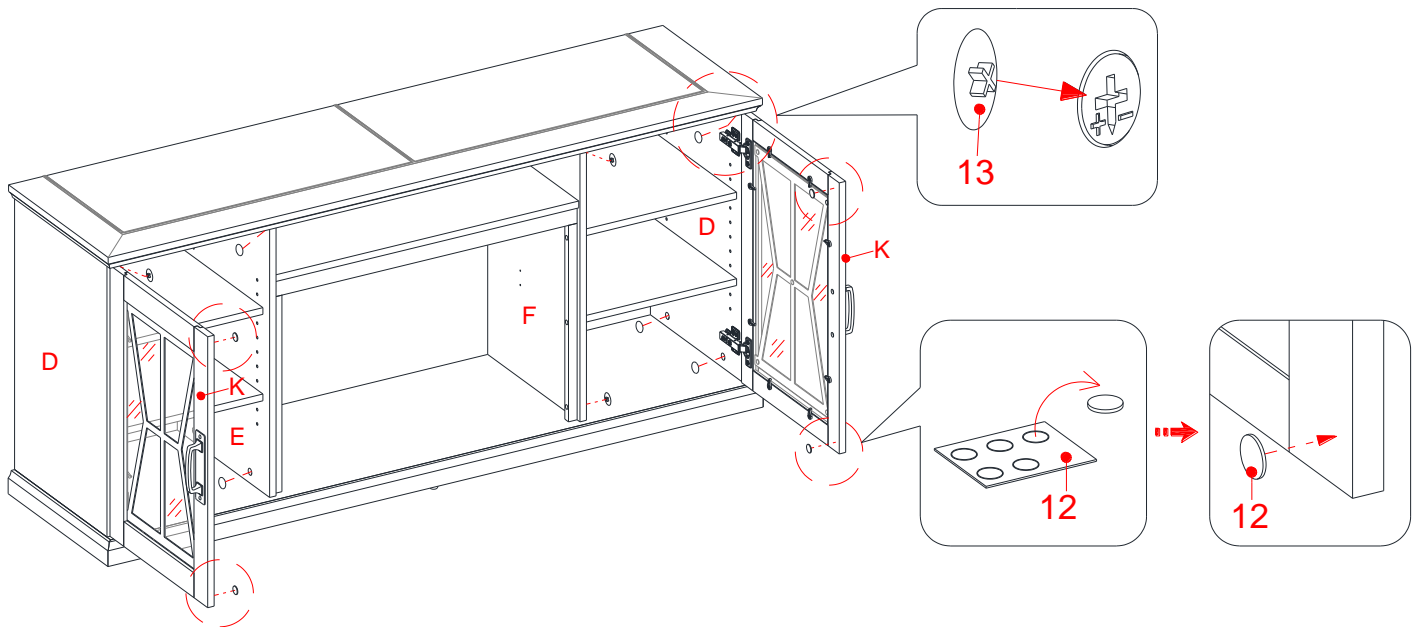


22. Open the doors and attach one Handle with Metal Plate (9) to the front side of each Door (K) with two 22 mm Bolts (10).

## Assembly Instructions



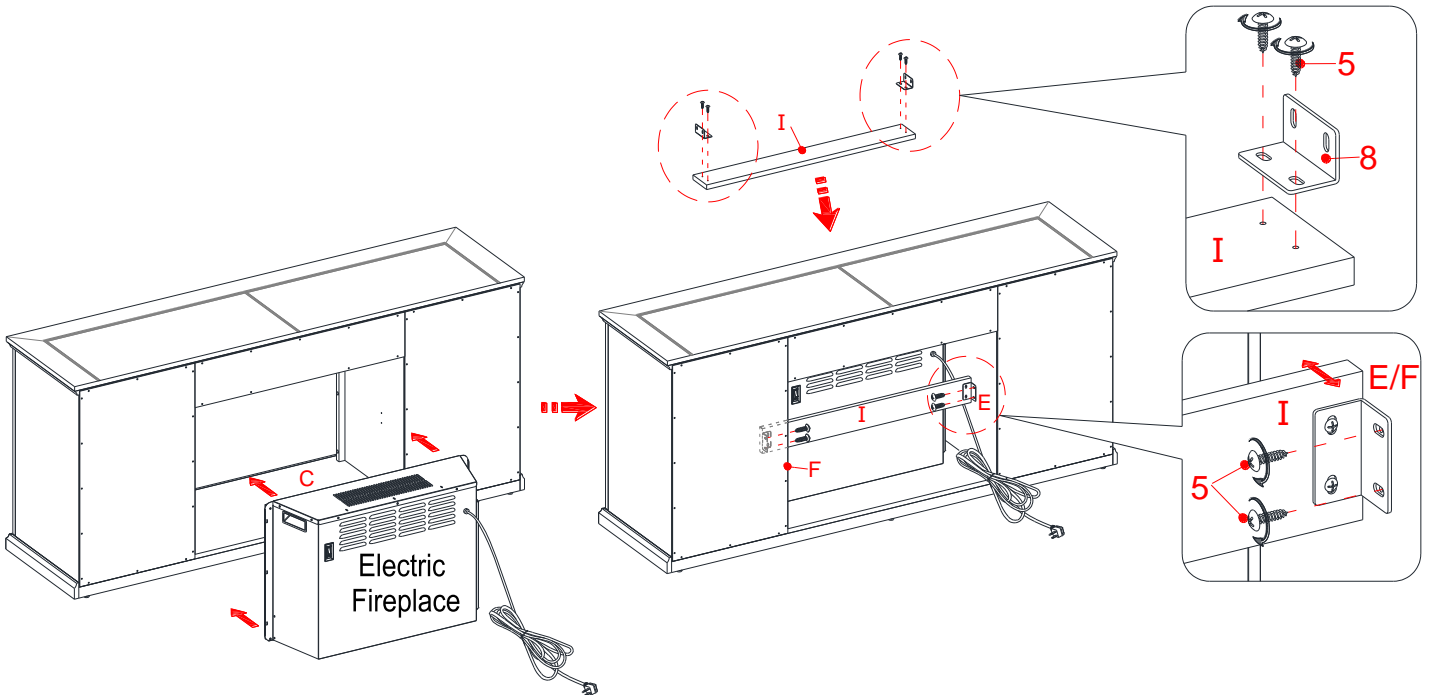
23. Insert eight Shelf Supports (11) into the holes at the desired height inside each side compartment. Make sure you place four shelf supports in the same level, so the shelf is not tilted. Tilt and rest the Adjustable Shelves (J) onto the Shelf Supports (11)



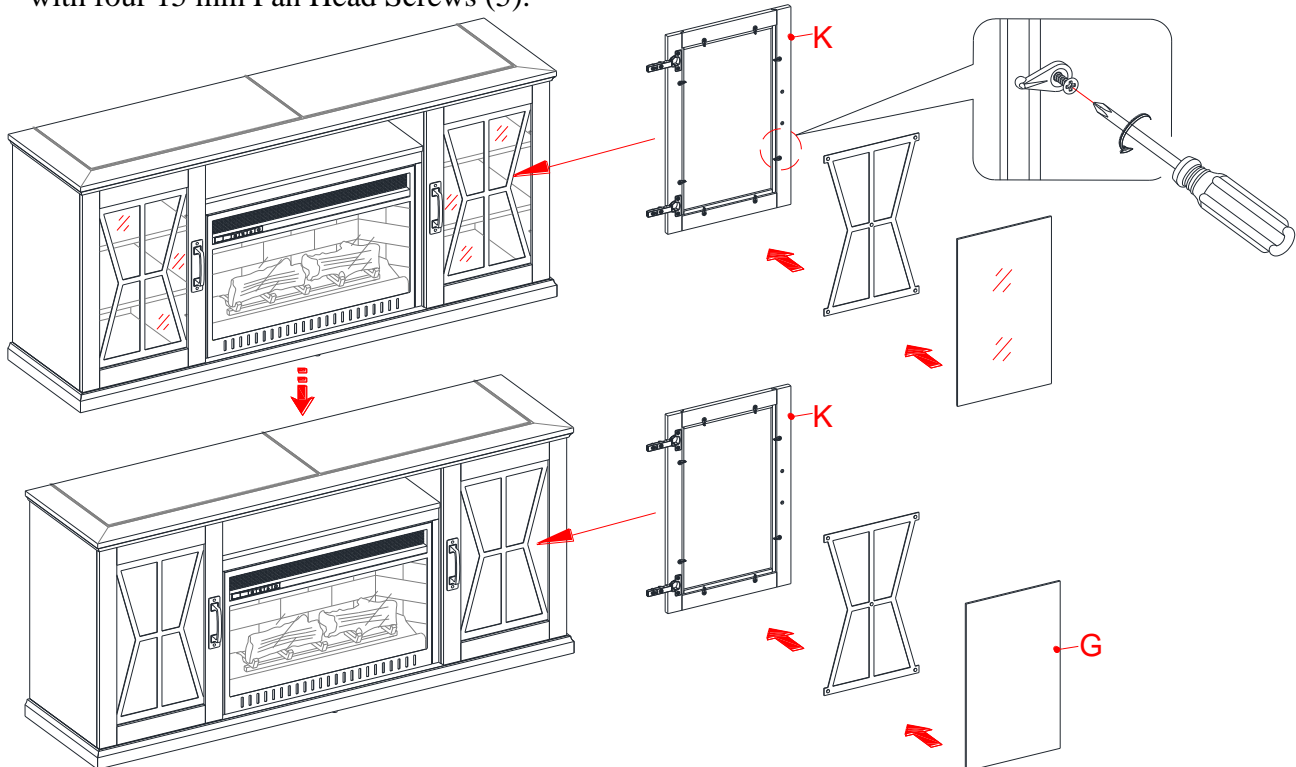
24. Stick the Rubber Bumpers (12) at the outer corners of the two Doors (K) where they meet the Partition Panels (E and F).

25. Plug the Cam Lock Covers (13) onto the visible Cam Locks to conceal the cams.

## Assembly Instructions



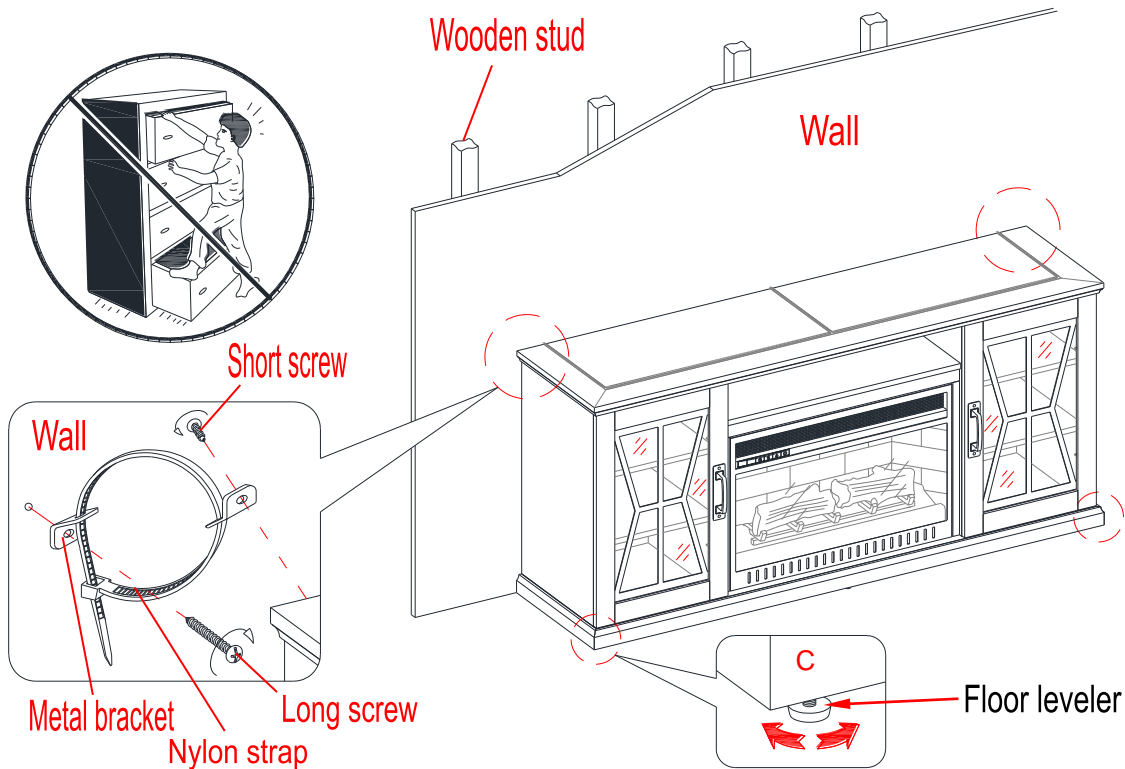
26. Lift the fireplace insert carefully into the back of the assembled mantel and center it in the opening. DO NOT drag the insert across the Base (C) as it may scratch the unit.
27. Use the pilot hole as a guide, fasten two L-shaped Metal Brackets (8) onto the Firebox Support (I) with four 15 mm Pan Head Screws (5) as shown. Make sure that the right angle is flush with the short edge of firebox support.
28. Using the pilot holes as a guide, fasten the Firebox Support (I) between the Partition Panels (E and F) with four 15 mm Pan Head Screws (5).



**NOTE:** The doors are shipped with Glass Door Insert. You can keep the doors as they are or interchange with the Wood Door Insert (G) depending on your configuration.

29. To change the configuration, loosen the screws on the inside of Doors (K) and rotate the clips to remove the door insert panel. Replace with the desired panel, then rotate clips to secure the panel within the door frame and tighten screws.

## Assembly Instructions



**Tools required (not provided):** Phillips screwdriver, stud finder, tape measure, pencil, power drill and 1/8" drill bit.

30. Ask for assistance to position the console at the desired location against a wall. If necessary, adjust the pre-attached floor levelers at the bottom of the Base (C) to correct the tilting and/or level the doors.
31. Now, follow the instructions printed on the plastic bag containing the Tipping Restraint Hardware to attach the tip-over restraints to the unit and the wall.

**NOTE:** The tipping restraint hardware included is for wooden stud wall construction. It must be attached to a wall stud. Depending upon your wall construction, different anchor hardware may be required. Please contact your local hardware store for assistance. Young children can be seriously injured by tipping furniture. You must install the tipping restraint hardware with the unit to prevent the unit from tipping, causing any accidents or damage. The tipping restraints are intended only as a deterrent, they are not a substitute for proper adult supervision. The tipping restraints are not earthquake restraints. If you wish to add the extra security of earthquake restraints, they must be purchased and installed separately.

32. The console is now ready for use. Connect the fireplace to the power transformer. Follow the operating manual for the electric fireplace insert to control your fireplace.

### **WARNING**



**Children have died from furniture tip-over.  
To reduce the risk of furniture tip-over:**

- ALWAYS install tip-over restraint provided.
- FOR use with televisions weighing 80 lbs or less. Use with heavier televisions may result in instability causing tip-over resulting in death or serious injury.
- NEVER allow children to stand, climb or hang on drawers, doors, or shelves.
- NEVER open more than one drawer at a time.
- Place heaviest items in the lowest drawers.

**Use of tip-over restraints may only reduce, but not eliminate, the risk of tip-over.**

## Care and Maintenance

- Use a soft, clean cloth that will not scratch the surface when dusting.
- Use of furniture polishes is not necessary. Should you choose to use polishes, test first in an inconspicuous area.
- Using solvents of any kind on your furniture may damage the finish.
- Never use water to clean your furniture as it may cause damage to the finish.
- Always use coasters under beverage glasses and flowerpots.
- Liquid spills should be removed immediately. Using a soft, clean cloth, blot the spill gently. Avoid rubbing.
- Always use protective pads under hot dishes and plates. Heat can cause chemical changes that may create spotting within the furniture finish.
- Stains or marks from crayons or ink markers will be difficult to remove.
- In the event that your furniture is stained or otherwise damaged during use, we recommend that you call a professional to repair your furniture.
- Check bolts/screws periodically and tighten them if necessary.

## WARNING

Please use your furniture correctly and safely. Improper use can cause safety hazards, or damage to your furniture or household items. Carefully read the following safety information.

This unit is not intended for use with CRT TVs. The top surface maximum weight capacity is 80 lbs. (36.3 kg) and maximum load 70 in. (177.8 cm) diagonal flat-panel TV. The shelf maximum recommended weight allowance is 50 lbs. (22.7 kg). Use with heavier televisions may result in instability causing tip over resulting in death or serious injury.

Death or serious injury may occur when children climb on audio and/or video equipment furniture. A remote control or toys placed on the furnishing may encourage a child to climb on the furnishing and as a result may tip over onto the child.

- NEVER** allow children to climb or play with the TV or furnishing supporting the TV.
- NEVER** place toys, food, remote, etc. on top of the TV or TV furnishing.
- ALWAYS** use either the safety hardware as instructed or other wall anchoring device.

Relocating audio and/or video equipment to furniture not specifically designed to support audio and/or video equipment may result in death or serious injury due to furniture collapse or over turning onto a child.

- NEVER** place a TV on furniture that is not intended to support a TV.
- NEVER** exceed the maximum size and weight of the TV shown in the instructions.
- Be sure to refer to the TV warning label as shown in the instructions.

Overloading drawers and shelves may result in furniture that can break or sag, or tip-over which may result in injury.

- NEVER** exceed the weight limits shown in the instructions.
- Place the heavier items on lower shelves as far back from the front as possible.
- Load the bottom surfaces first to avoid top-heavy furniture.

Moving furniture that is not designed to be moved or equipped with casters may result in injury or damage to furnishings or personal property.

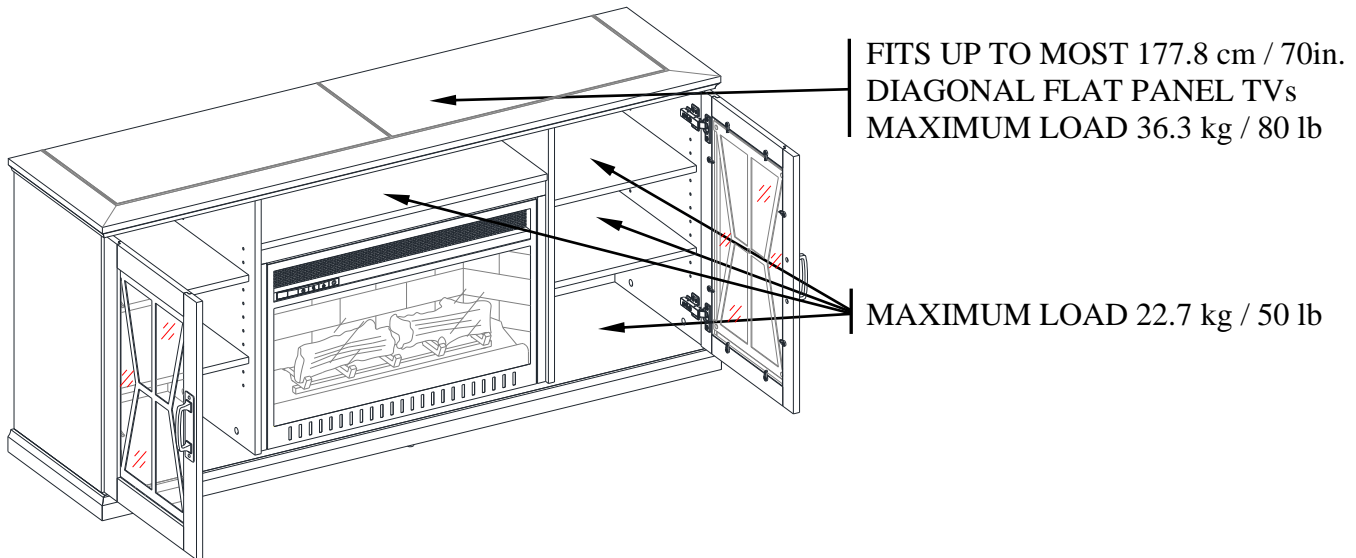
- ALWAYS** unload shelves and drawers, starting with the top surfaces, before moving.
- NEVER** push or pull furniture on carpet. Have a friend help lift properly to move and/or reposition it.

The stand is not meant as a seat and no one should be sitting or standing on the stand.

Clean the metal trim using a soft cloth, slightly dampened with citrus oil-based product and buff with a clean soft cloth. **DO NOT** use brass polish or household cleaners as these products will damage the metal trim. Citrus oil-based products can be obtained at supermarkets or hardware stores.

## MAXIMUM RECOMMENDED WEIGHT LOADS

MANUFACTURER: Whalen Furniture Manufacturing  
CATALOGUE: Linwood 60in Fireplace Console  
MODEL # MNFP60LW26IO



### **WARNING**

THIS UNIT IS NOT INTENDED FOR USE WITH CRT TVS. USE ONLY WITH FLAT PANEL TVS AND AUDIO/VIDEO EQUIPMENT MEETING RECOMMENDED SIZE AND WEIGHT LIMITS. NEVER USE WITH LARGER/HEAVIER THAN RECOMMENDED FLAT PANEL TVS OR EQUIPMENT. TO AVOID INSTABILITY, PLACE FLAT PANEL TV IN THE CENTER OF THE UNIT; THE BASE OF THE TELEVISION MUST BE ABLE TO REST ON THE SUPPORTING SURFACE OF THE UNIT WITHOUT OVER-HANGING THE EDGES. IMPROPERLY POSITIONED FLAT PANEL TVs, OR FLAT PANEL TVs INCLUDING OTHER EQUIPMENT THAT EXCEED RECOMMENDED SIZE AND WEIGHT LIMITS COULD FALL OFF OR BREAK THE UNIT, CAUSING POSSIBLE SERIOUS INJURY. FOR USE WITH TELEVISIONS WEIGHING 80 LBS (36.3 KG) OR LESS. USE WITH HEAVIER TELEVISIONS MAY RESULT IN INSTABILITY CAUSING TIP OVER RESULTING IN DEATH OR SERIOUS INJURY.

## QUALITY GUARANTEE

We are confident that you will be delighted with your Whalen Furniture purchase.

Should this product be defective in workmanship or materials or fail under normal use, we will repair or replace it for up to one (1) year from date of purchase. Every Whalen Furniture product is designed to meet your highest expectations. We guarantee that you will immediately see the value of our fine furniture.

This warranty gives you specific legal rights and you may also have other rights which vary from state to state or province to province.

Whalen Furniture Manufacturing  
1578 Air Wing Road  
San Diego CA, 92154, USA  
Customer Service: 1-866-942-5362  
8:30 a.m. - 4:30 p.m., PST, Monday to Friday  
[www.whalenfurniture.com](http://www.whalenfurniture.com)