

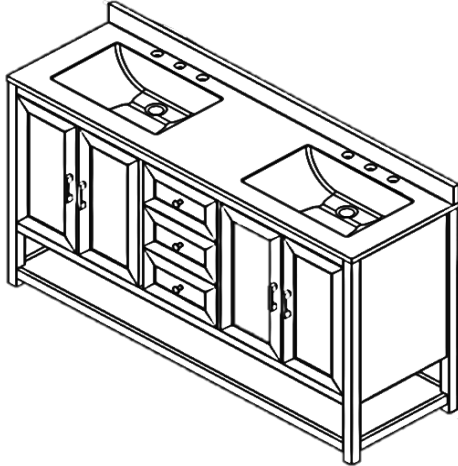


# VANITY ASSEMBLY INSTRUCTIONS

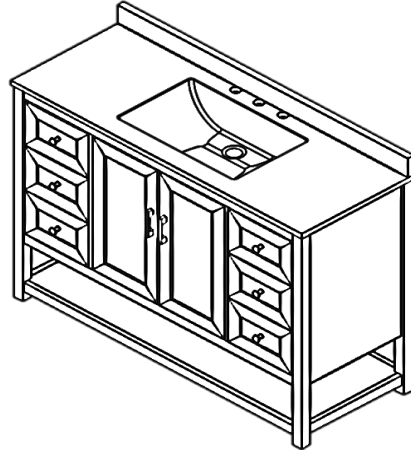
THANK YOU FOR YOUR PURCHASE !  
FOR PARTS REPLACEMENT REQUEST, PLEASE CONTACT US AT 1-866 9425362  
OR EMAIL: PARTS@WHALENFURNITURE.COM

READ ALL THE INSTRUCTIONS AND IDENTIFY ALL COMPONENTS AND CHOOSE YOUR CONFIGURATION AND BE SURE YOU HAVE ALL PARTS  
**TWO PEOPLE ARE NEEDED TO ASSEMBLE**

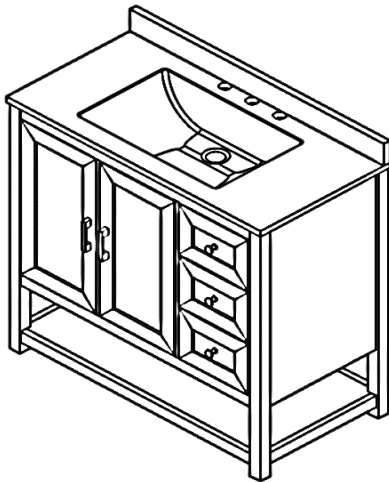
**ECTOL30-VW**  
60" VANITY TOLEDO 3 DRW



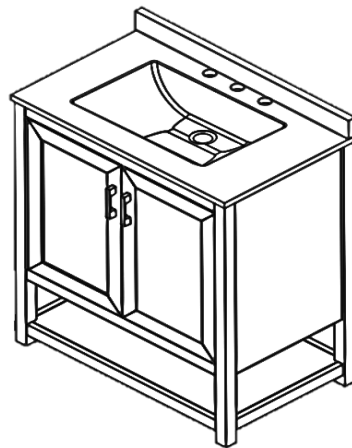
**ECTOL30-VW**  
48" VANITY TOLEDO 6 DRW



**ECTOL30-VW**  
36" VANITY TOLEDO 3 DWR



**ECTOL30-VW**  
30" VANITY TOLEDO 2 DRS



**TIPS: SEE ILLUSTRATION  
BELOW**

**TOOLS NEEDED**  
LIQUIDNAIL GLUE (NOT INCLUDED)

**TOLEDO#1 & MADRID 30"(2 DOORS)**

ECTOL-W 2 DRS VANITY WHITE  
ECMAD-CH 2 DRS VANITY CHOCOLATE

**TOLEDO#1 & MADRID 36 (3 DRAWERS)**

ECTOL-W 3 DRW VANITY WHITE  
ECMAD-CH 3 DRW VANITY CHOCOLATE

**TOLEDO#1 & MADRID 48 (6 DRAWERS)**

ECTOL-W 6 DRW VANITY WHITE  
ECMAD-CH 6 DRW VANITY CHOCOLATE

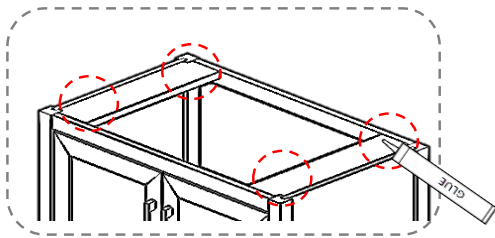
**TOLEDO#1 & MADRID 60 (3 DRAWERS)**

ECTOL-W 3 DRW VANITY WHITE  
ECMAD-CH 3 DRW VANITY CHOCOLATE

LIST OF CONTENTS VANITY					NOT INCLUDED
A.- VANITY (1)					
B.-SINK (1)					
C.-BACK SPLASH (1)					
D.-PANEL (4)					
E.- GLUE (1)					
	(A) VANITY ( 1 PCS )	(B) SINK ( 1 PCS )	(C) BACK SPLASH ( 1 PCS )	(D) PANEL ( 4 PCS )	(E) GLUE ( 1 PCS )

**Before beginning:**

- 1.- Unpack all parts and hardware to ensure you have all needed components for assembly.
- 2.- Read this guide cover before beginning assembly.
- 3.- Have 2 adults on hand for assembly.
- 4.- Save all packaking until finished.

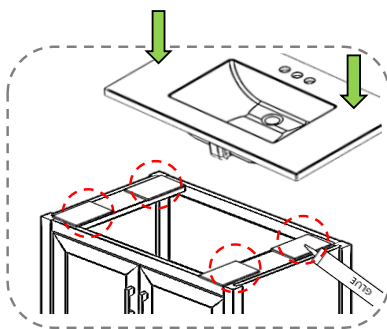
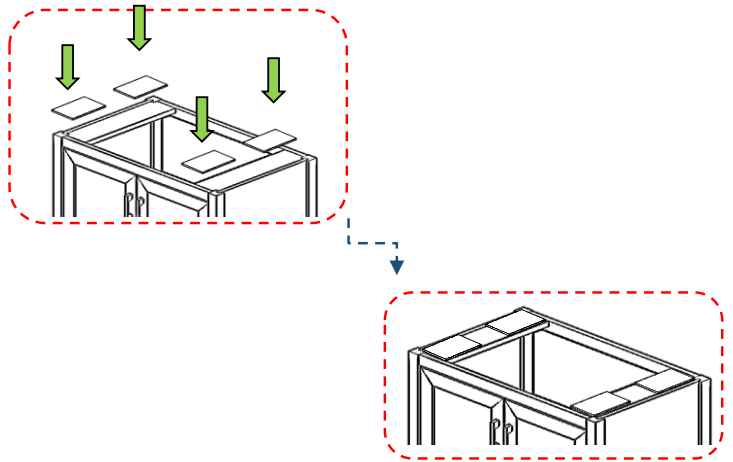


**STEP #1**

Prepare the glue (E) and place it on the corners of both boards of the vanity (A) as shown in the picture.

**STEP #2**

-Immediately take four panels (D) and place them on top of the glue previously placed.



**STEP #3**

-Place the glue (E) on top of the four panels.  
-Carefully, place the sink (B) on top of the vanity (A).

**STEP #4**

-Finally, place glue centered on both sides on top of the sink (B) and flush with the back and immediately place the back splash (C) on top of the glue previously placed. .

