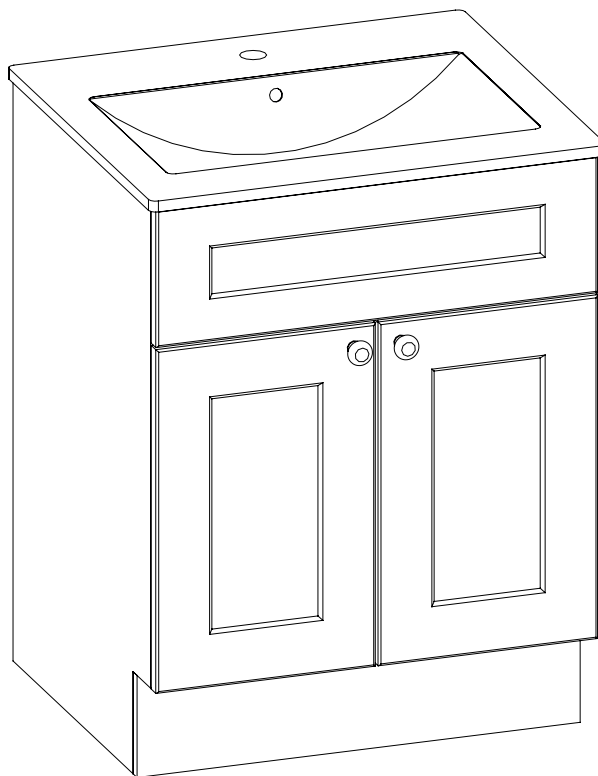


CANVAS^{TM/MC}

MILFORD 24 3/4" (62.8 CM) BATHROOM VANITY

PRODUCT NO. 063-6411-6-WHITE
063-6414-0-GREY



ASSEMBLY INSTRUCTIONS



HAVING TROUBLE?

TOLL-FREE:

1-888-670-6684

IMPORTANT: Please read this manual carefully before beginning assembly of this product. Keep this manual for future reference.

CANVAS™

INSPIRED BY CANADA



To the trend seekers and design mavens, **CANVAS™** is the furniture and décor brand that helps you imagine and create a space you can be proud of.

That's because **CANVAS™** offers style with ease with products that are **made for real life and Canadian inspired.**

We would love to hear from you and welcome your thoughtful feedback. Visit our website at **canadiantire.ca** to tell us about your experience, and share your photos with us using **#myCANVASstyle.**

Show us how you bring **CANVAS™** products to life. We can't wait to see!

TABLE OF CONTENTS

Parts List	4
Before You Begin Assembly	8
Step-by-step Guide	10
Technical Data	22
Troubleshooting	23
Caring for Your Item	23
Warranty	24



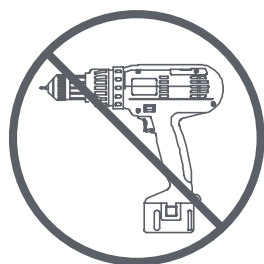
WARNING! TO REDUCE THE RISK OF SERIOUS INJURY, READ THE FOLLOWING SAFETY INSTRUCTIONS BEFORE ASSEMBLING AND USING THE PRODUCT.

- Please read and understand this entire manual before attempting to assemble, operate, or install the product.
- Any assembly or maintenance of the product must be carried out by adults only.
- Some parts may contain sharp edges. Wear protective gloves if necessary.
- To prevent damage, place all parts on a level surface during assembly. Add a layer of protective surface if needed.
- Do not allow your children to climb or jump on furniture due to possible accident, injury or death. A child climbing on a piece of furniture can make it top-heavy and cause the furniture to tip over.
- Keep children and pets away during assembly.
- This unit is intended for use only within the maximum weight indicated. Use with loads heavier than the maximum weight indicated may result in instability causing possible injury.
- Failure to follow these warnings could result in serious injury.

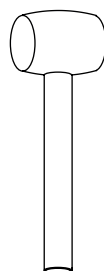
TOOLS REQUIRED



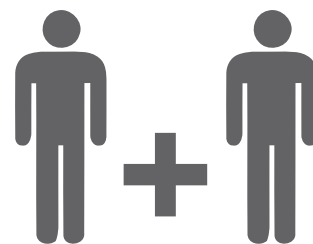
No. 2 Cross-head Screwdriver
Tip Shown Actual Size



NOTE: Do not over-drill/
be aware of over-drilling


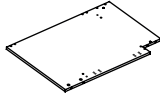





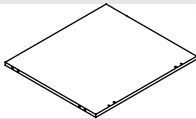
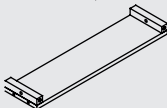
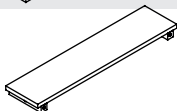
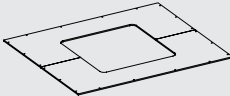
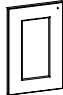
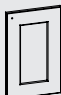


Rubber
Mallet

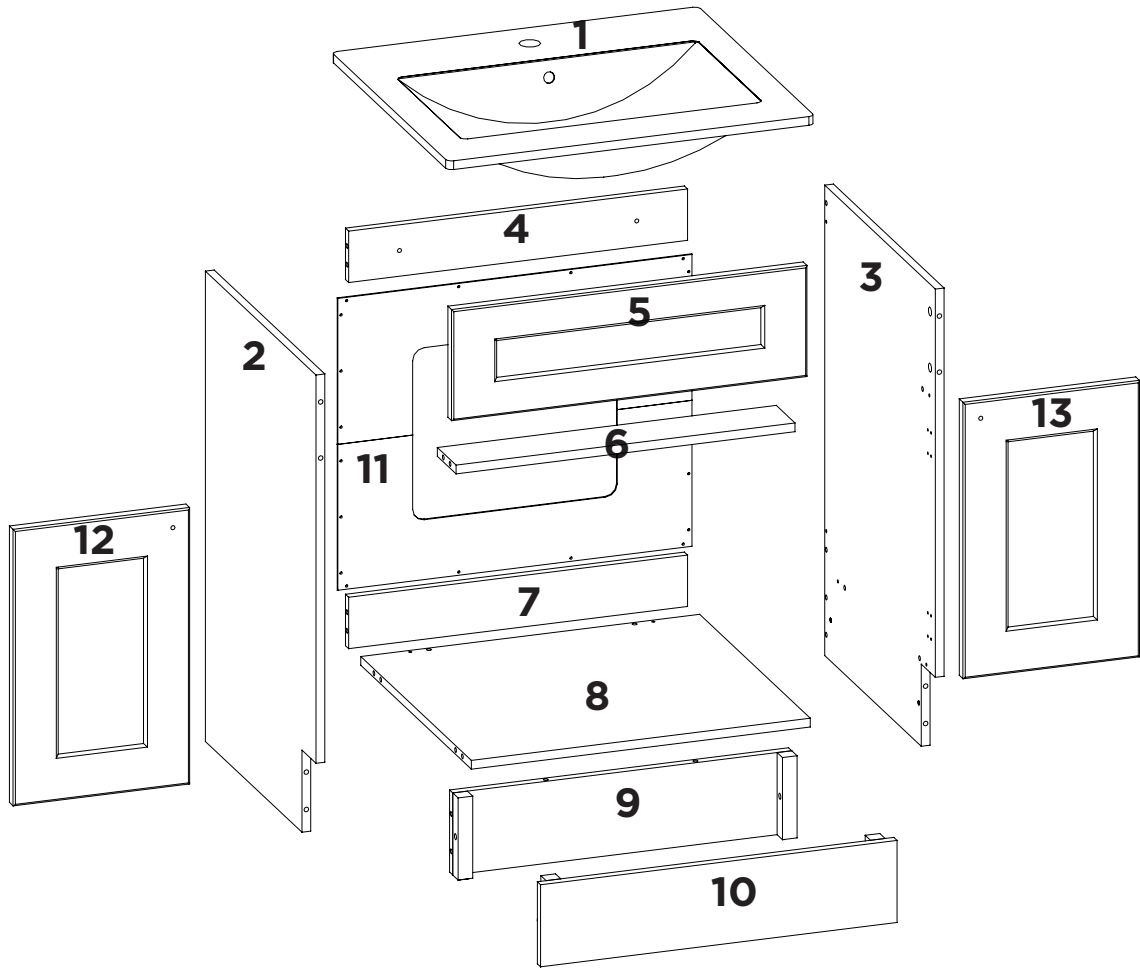


2 People


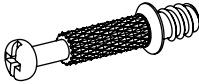
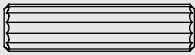

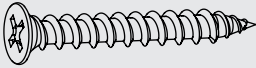

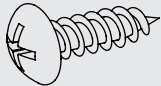
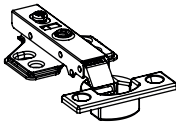
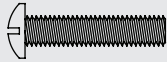
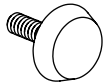
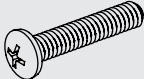

PARTS LIST

ITEM	DESCRIPTION	THUMBNAIL	QUANTITY
1	Vanity Top		1
2	Side Panel Left		1
3	Side Panel Right		1
4	Upper Back Stretcher		1
5	Upper Front Panel		1
6	Upper Front Stretcher		1
7	Lower Back Stretcher		1
8	Bottom Panel		1
9	Lower Back Panel		1
10	Lower Front Panel		1
11	Back Panel		1
12	Left Door		1
13	Right Door		1

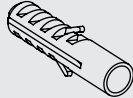

EXPLODED VIEW



HARDWARE LIST

ITEM	DESCRIPTION	THUMBNAIL	QUANTITY
A	Cam Lock		14
B	Cam Bolt		14
C	Wood Dowel		22
D	Knob		2
E	M4 x 32 mm Screw		2
F	M4 x 15 mm Screw		24
G	M4 x 16 mm Screw		20
H	Slow Close Hinge		4
I	5/32" x 25 mm Bolt		2
J	Leveller		4
K	Bolt		4
L	Glue		1

HARDWARE LIST

ITEM	DESCRIPTION	THUMBNAIL	QUANTITY
M	Plastic anchor		2
N	M4 x 50 mm Screw		2

BEFORE YOU BEGIN ASSEMBLY

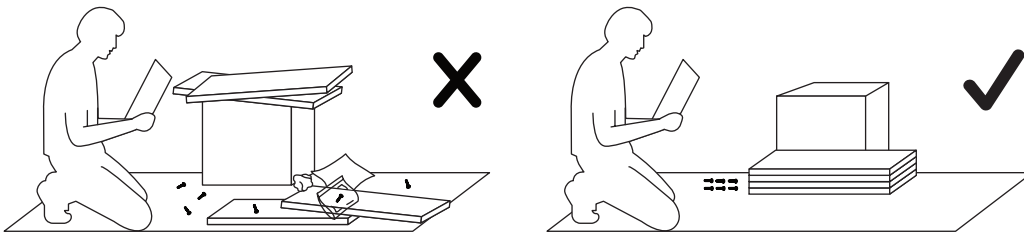
MAKE SURE ALL PARTS ARE PRESENT

Compare all pieces to the parts and hardware lists, and make sure you have all tools required for assembly.



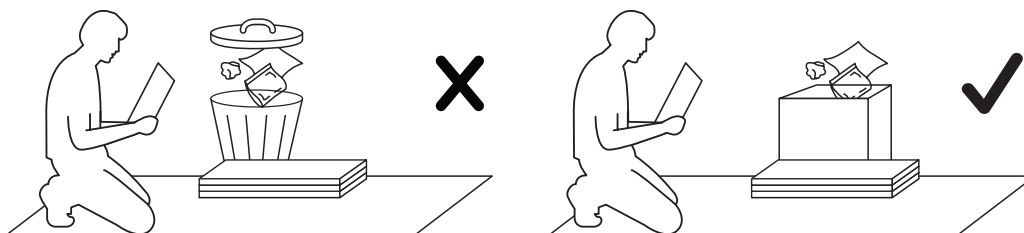
ASSEMBLE IN A CLEARED AREA

Place all parts from the box on the floor in front of you on a clean, dry, level surface to protect the product as it is being built.



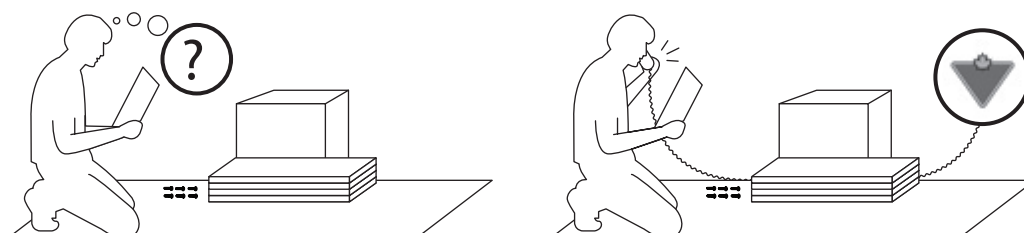
REMOVE PACKAGING MATERIALS

Place packing materials back in the box. Do not dispose of packaging materials until assembly is complete.



READ EACH STEP CAREFULLY

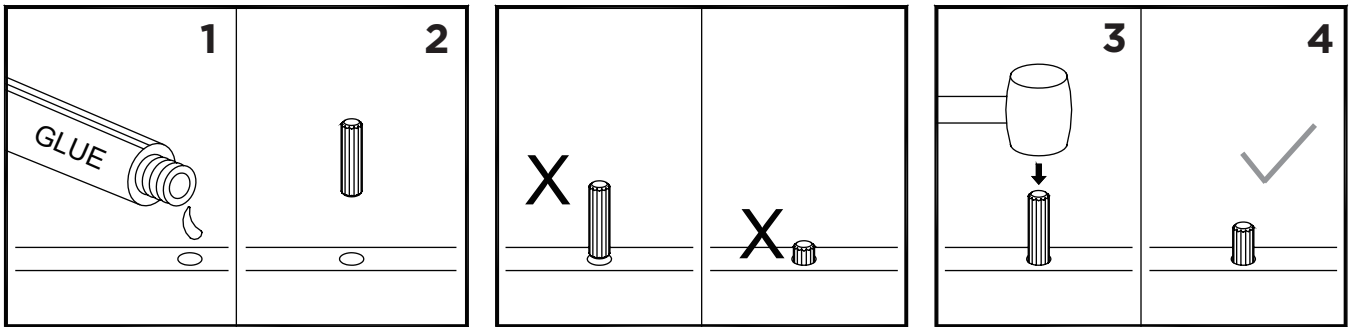
Make sure you understand each step. If you have any questions, contact CANVAS™ customer service at 1-888-670-6684 (toll free).



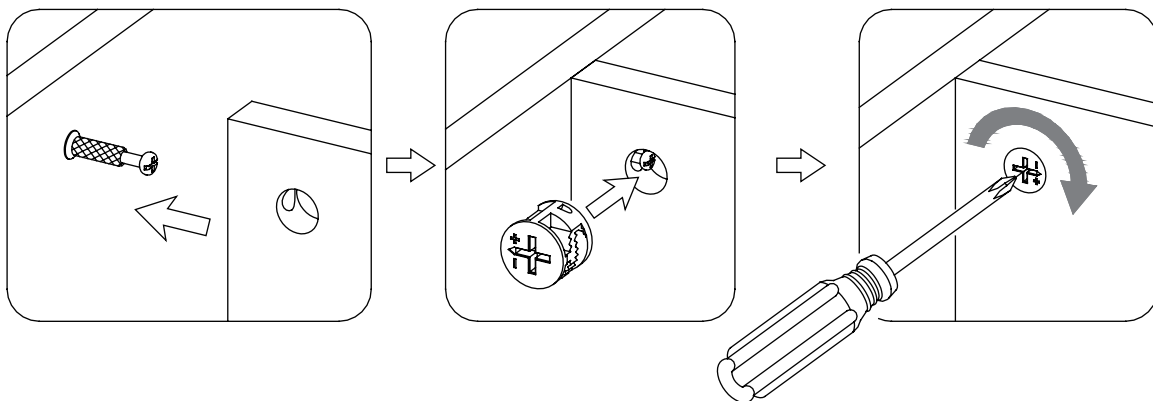
BEFORE YOU BEGIN ASSEMBLY

NOTE: IT IS VERY IMPORTANT TO USE GLUE WITH DOWELS. EXCESS GLUE CAN BE WIPED OFF WITH DAMP CLOTH.

Insert dowel at least half way by tapping lightly with a rubber mallet IF NECESSARY. Take caution not to strike mallet at an angle—this can cause the dowel to snap or break.



CAM LOCK SYSTEM OPERATION

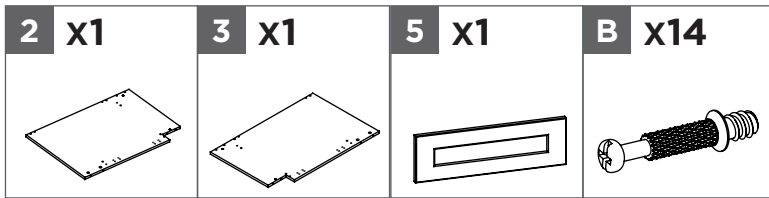


1. Screw cam bolt into the pre-drilled small holes on panel. Align the panels to be joined so that the cam bolt goes into the pre-drilled hole on the edge of the second panel and protrudes into the hole that will house the cam lock.
2. Insert the cam lock into pre-drilled large hole on panel. Make sure arrow on the cam lock is pointed toward the cam bolt.
3. Once the cam bolt is connected inside cam lock, take a cross-head screwdriver and tighten the cam lock by turning clockwise.

You are now ready to assemble the product.

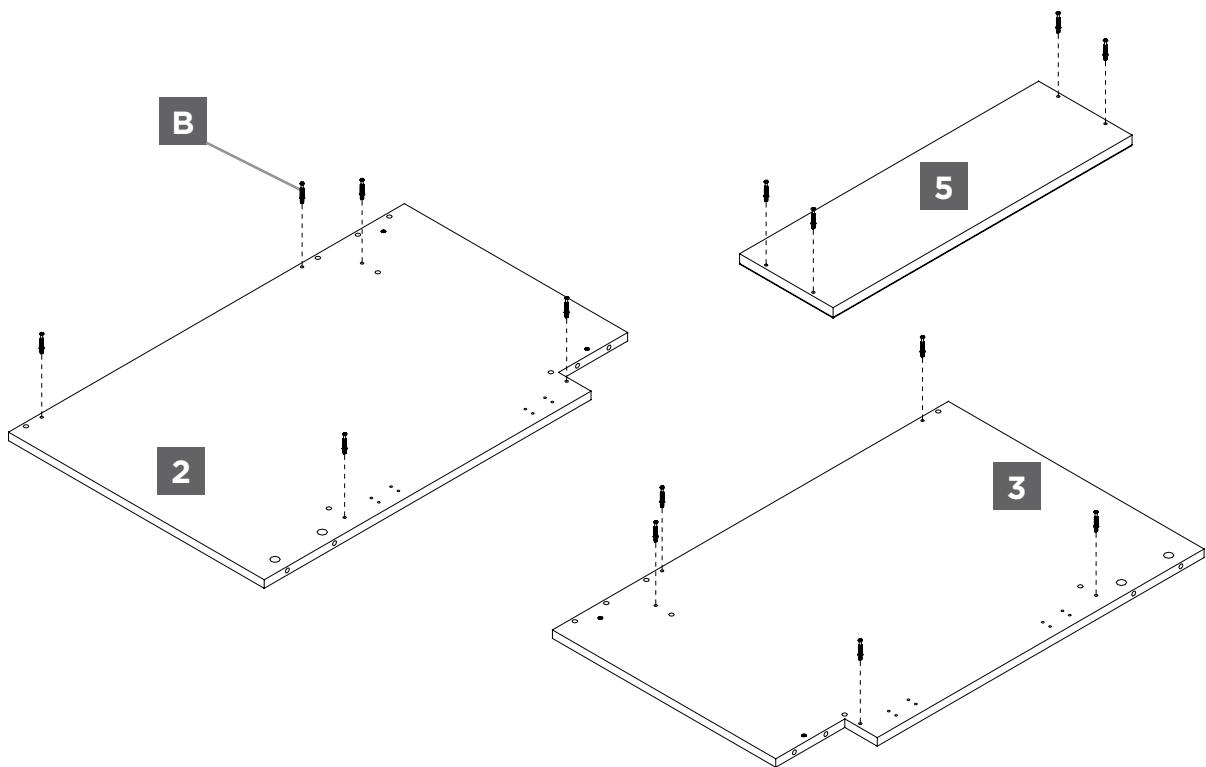
STEP-BY-STEP GUIDE

STEP 1



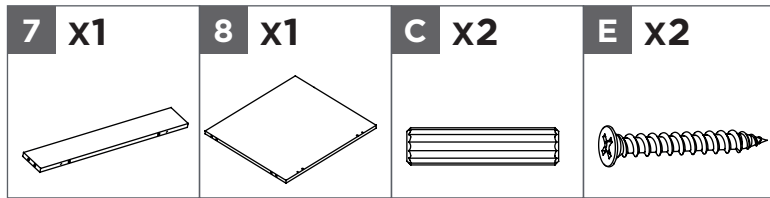
Install cam bolts **B** into side panel left **2**, side panel right **3** and upper front panel **5**.

Note: Make sure cam bolts **B** are completely seated.

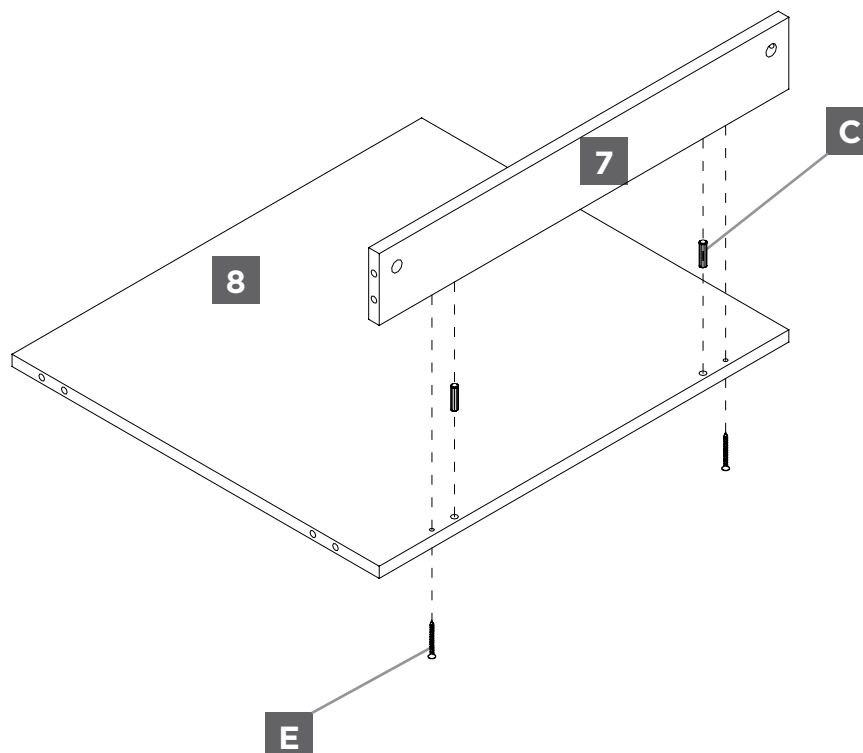


STEP-BY-STEP GUIDE

STEP 2

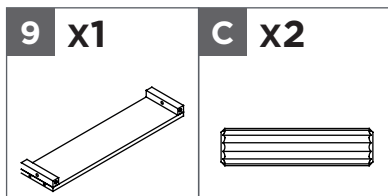


Attach lower back stretcher **7** to bottom panel **8**, using wood dowels **C**, and tighten with M4 x 32 mm screws **E**.

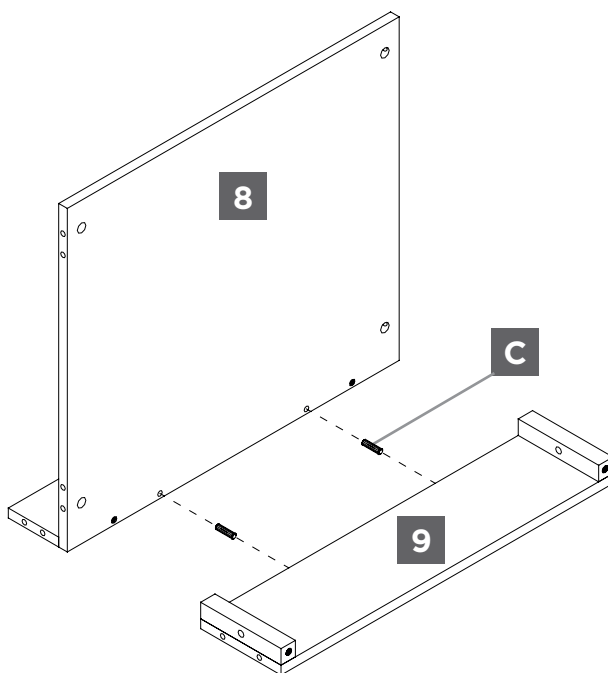


STEP-BY-STEP GUIDE

STEP 3

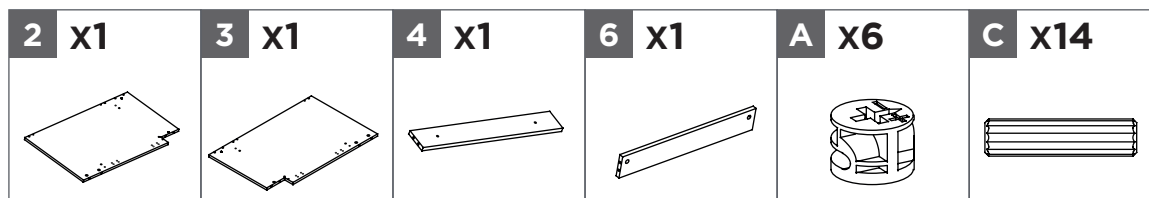


Attach lower back panel **9** to bottom panel **8**, using wood dowels **C**.

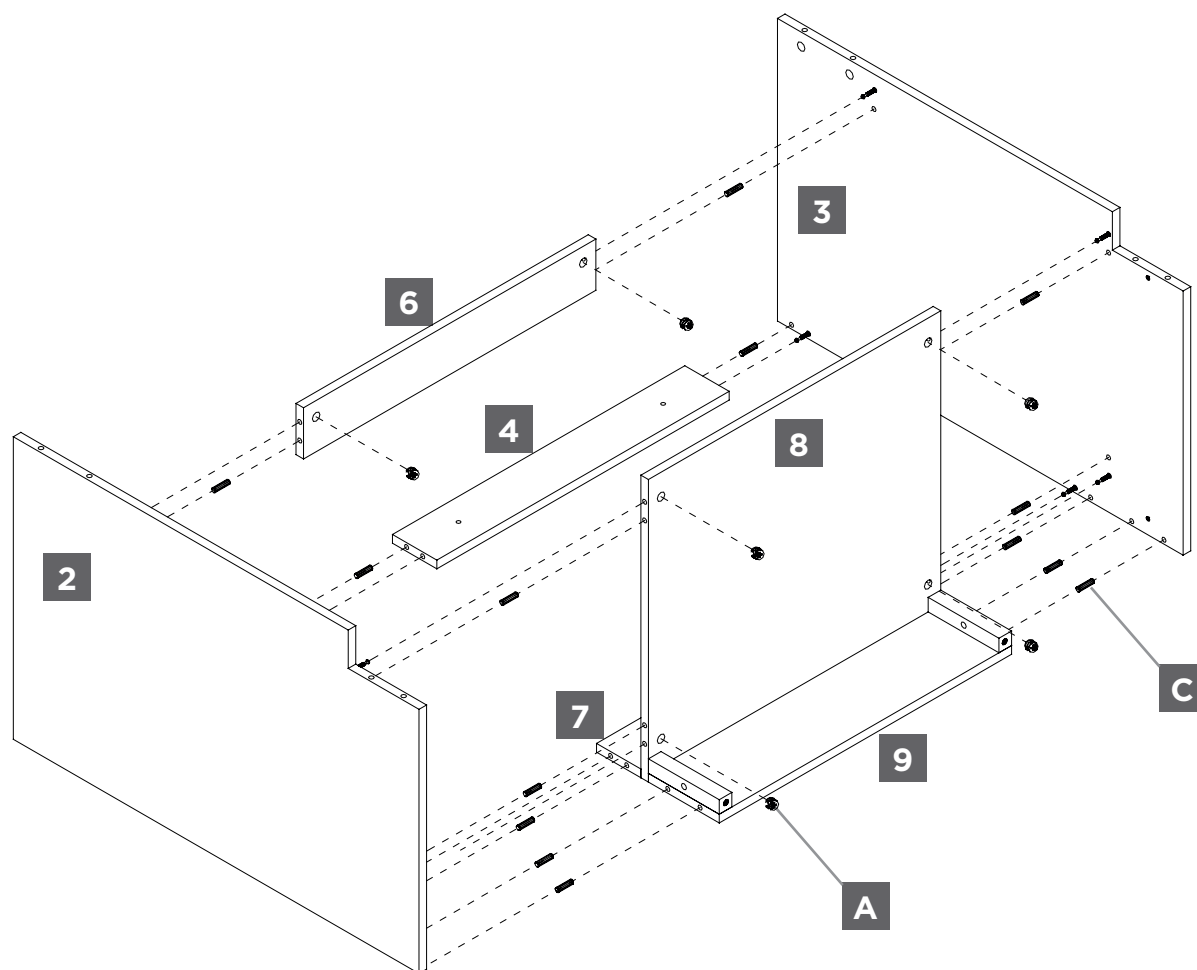


STEP-BY-STEP GUIDE

STEP 4

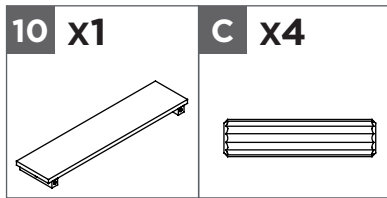


Attach side panel left **2** and side panel right **3** to upper back stretcher **4**, upper front stretcher **6**, lower back stretcher **7**, bottom panel **8**, and lower back panel **9**, using wood dowels **C**, and cam locks **A**. Tighten cam locks **A**.

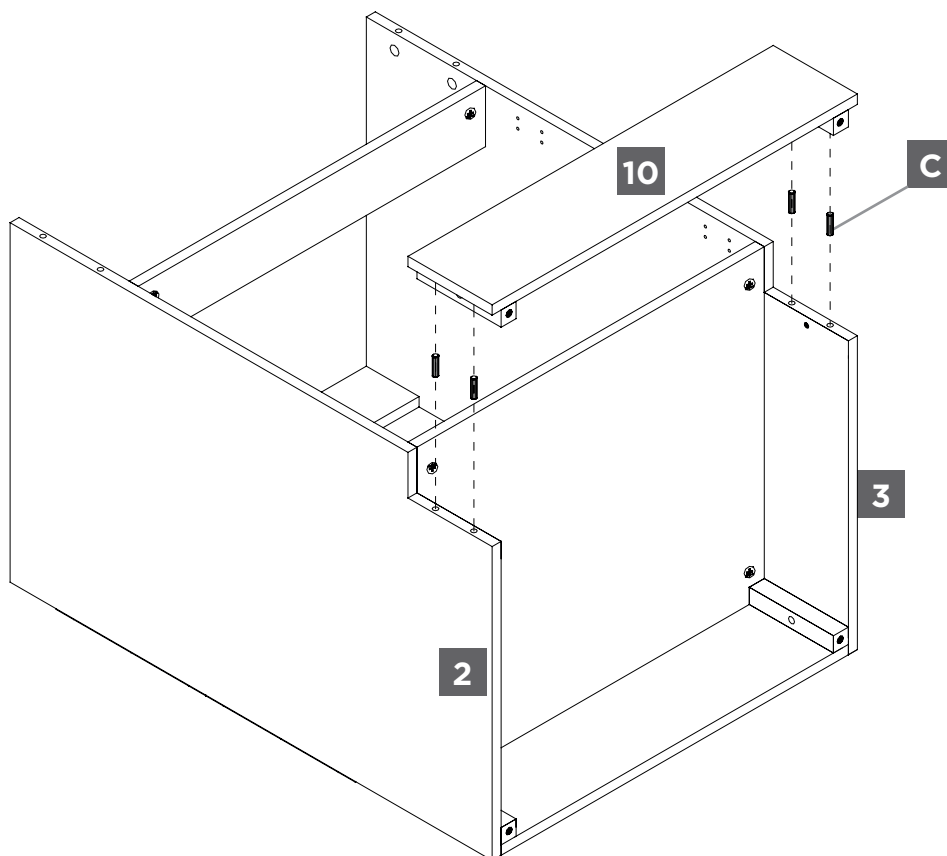


STEP-BY-STEP GUIDE

STEP 5

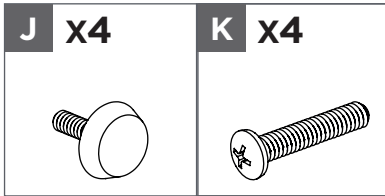


Attach lower front panel **10** to side panel left **2**, side panel right **3**, using wood dowels **C**.



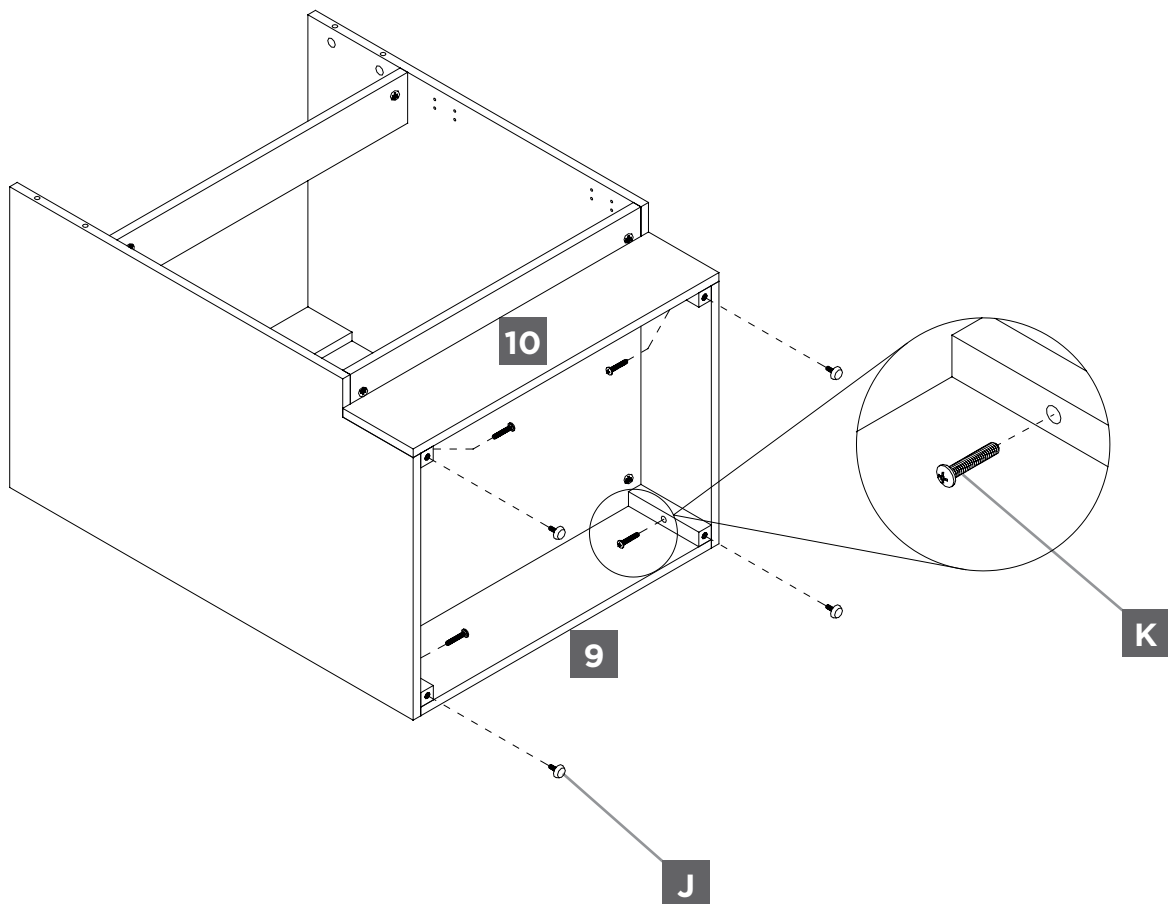
STEP-BY-STEP GUIDE

STEP 6



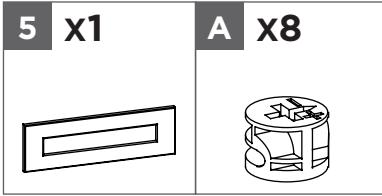
Using bolt **K** to fix the lower back panel **9** and lower front panel **10**, tighten with cross-head screwdriver.

Assemble leveller **J** to bottom of lower back panel **9** and lower front panel **10**.

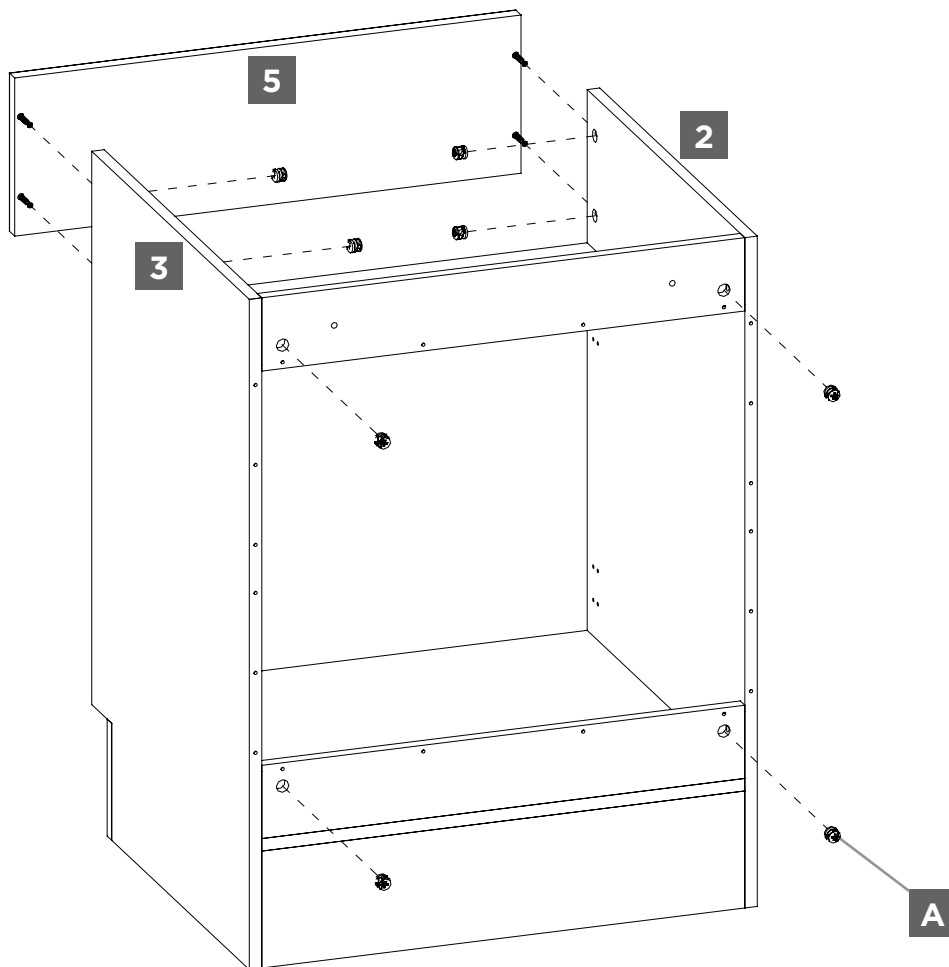


STEP-BY-STEP GUIDE

STEP 7

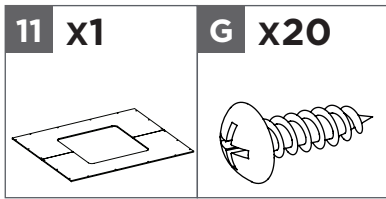


Attach upper front panel **5** to side panel left **2** and side panel right **3**, using cam locks **A**. Tighten cam locks **A**.

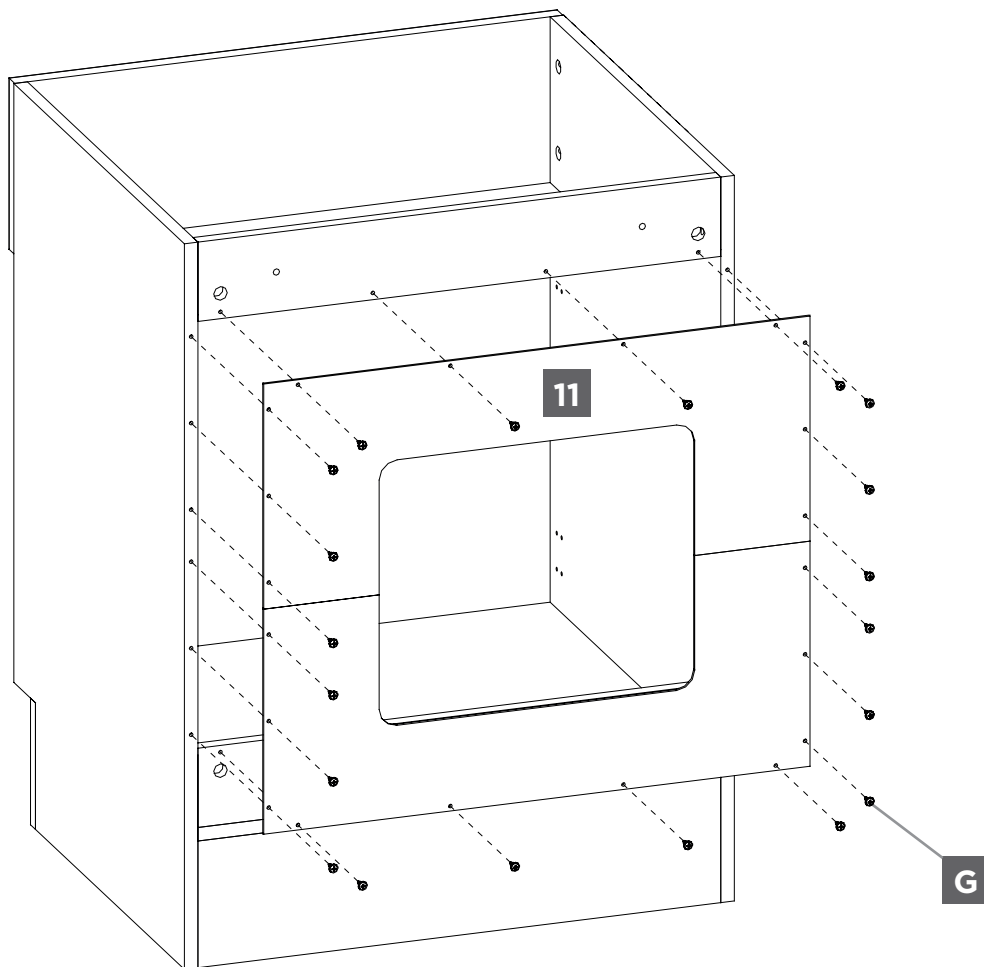


STEP-BY-STEP GUIDE

STEP 8

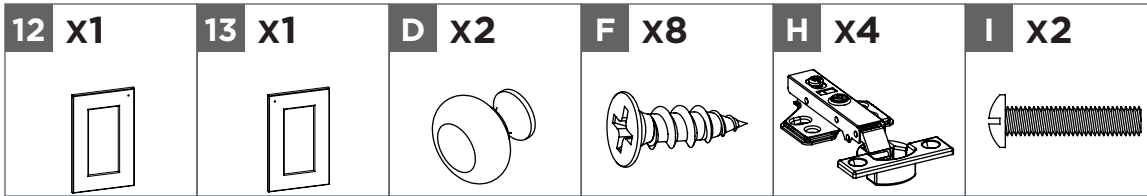


Attach back panel **11** to the back of the vanity, using M4x16 mm screws **G**. Tighten screws **G**.



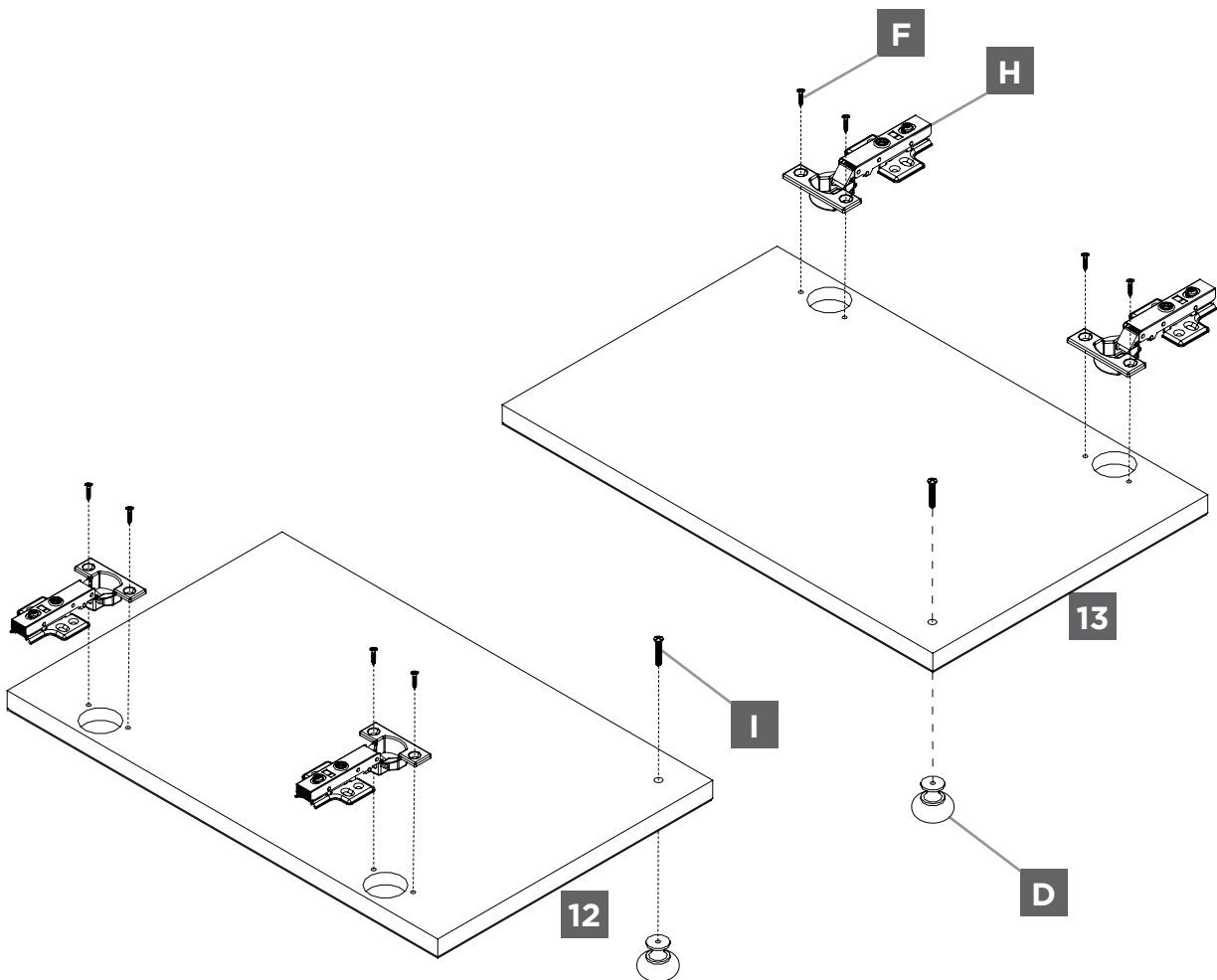
STEP-BY-STEP GUIDE

STEP 9



Attach slow close hinges **H** to left door **12** and right door **13** with M4 x 15 mm screws **F**.

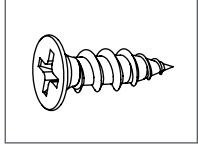
Attach knobs **D** to left door **12** and right door **13** with 5/32" x 25 mm bolts **I**.



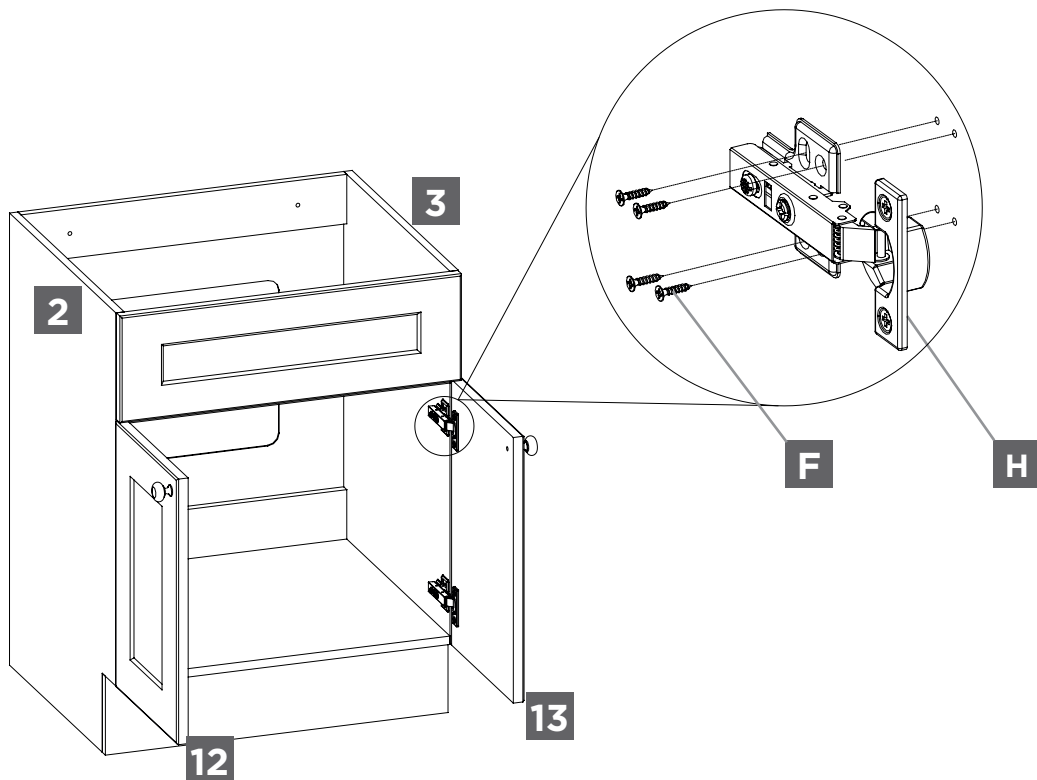
STEP-BY-STEP GUIDE

STEP 10

F x16

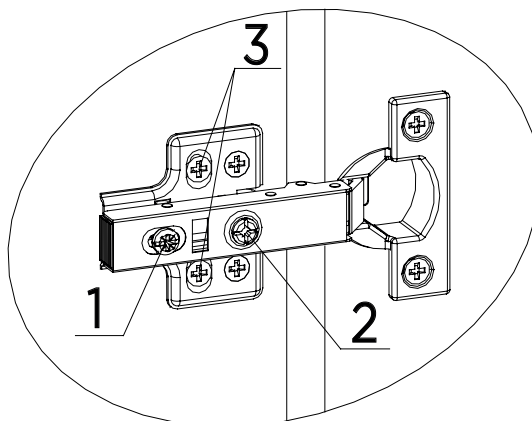


Align the left door **12** and right door **13** hinges **H** to the pilot holes in side panel left **2** and side panel right **3**. Attach with M4 x 15 mm screws **F**. Open and close the doors to make sure they are aligned and shut correctly. If necessary adjust the screws for a good fit.



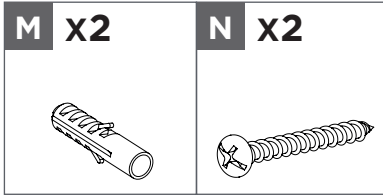
Three-way adjustable hinge for perfectly aligned doors.

1. To adjust the door forward or backward.
2. To adjust the door to right or left.
3. To adjust the door up or down.



STEP-BY-STEP GUIDE

STEP 11

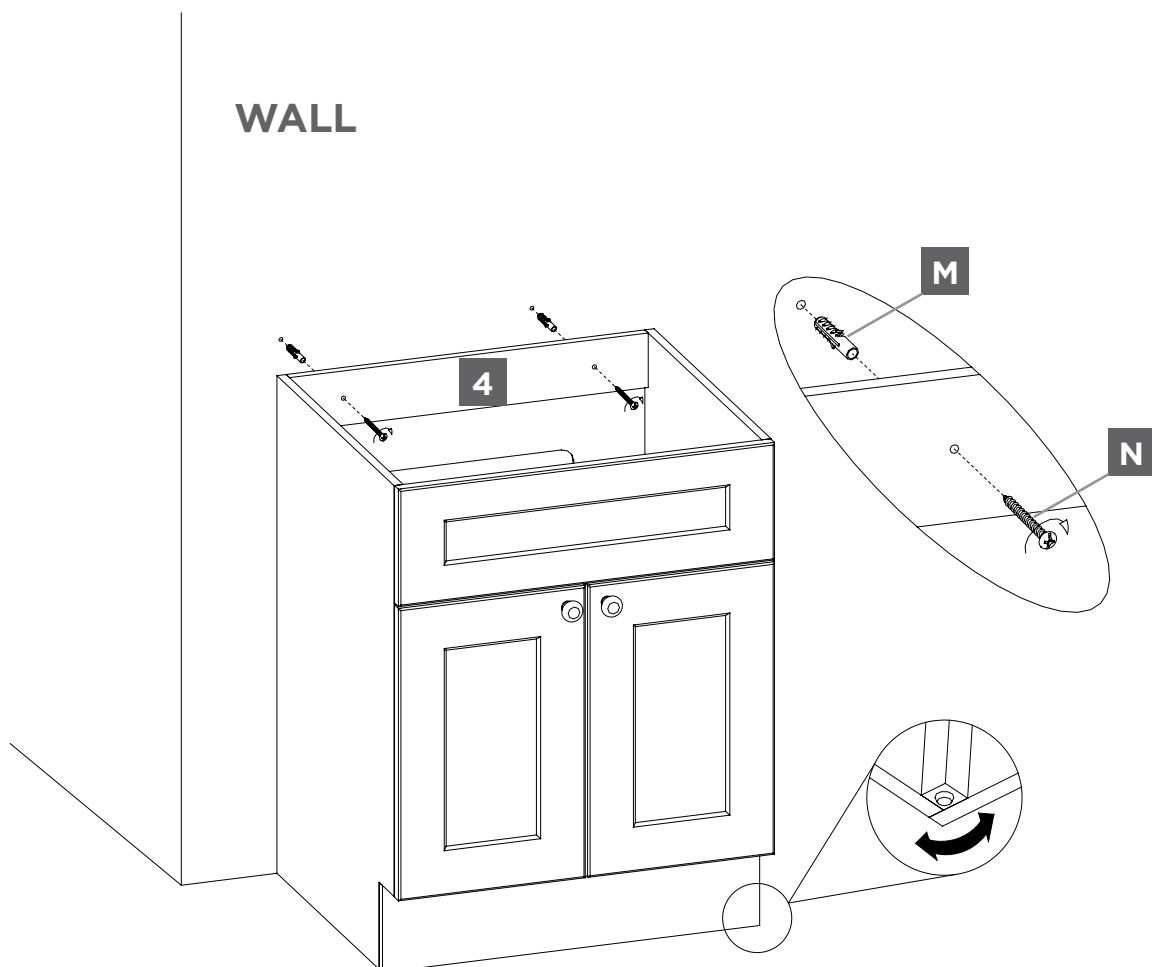


Determine where vanity is to be placed and mark location on the wall for the mounting.

Drill a 3/8" hole in the wall. Press the plastic anchor **M** into the hole and gently tap until the flange of the anchor is against the wall surface.

Attach Vanity to the wall using M4x50 mm screws **N**.

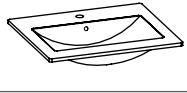
In case of uneven floors, floor levellers are provided at the bottom of the vanity. If necessary, adjust floor levellers by hand to correct tilting and/or level doors.



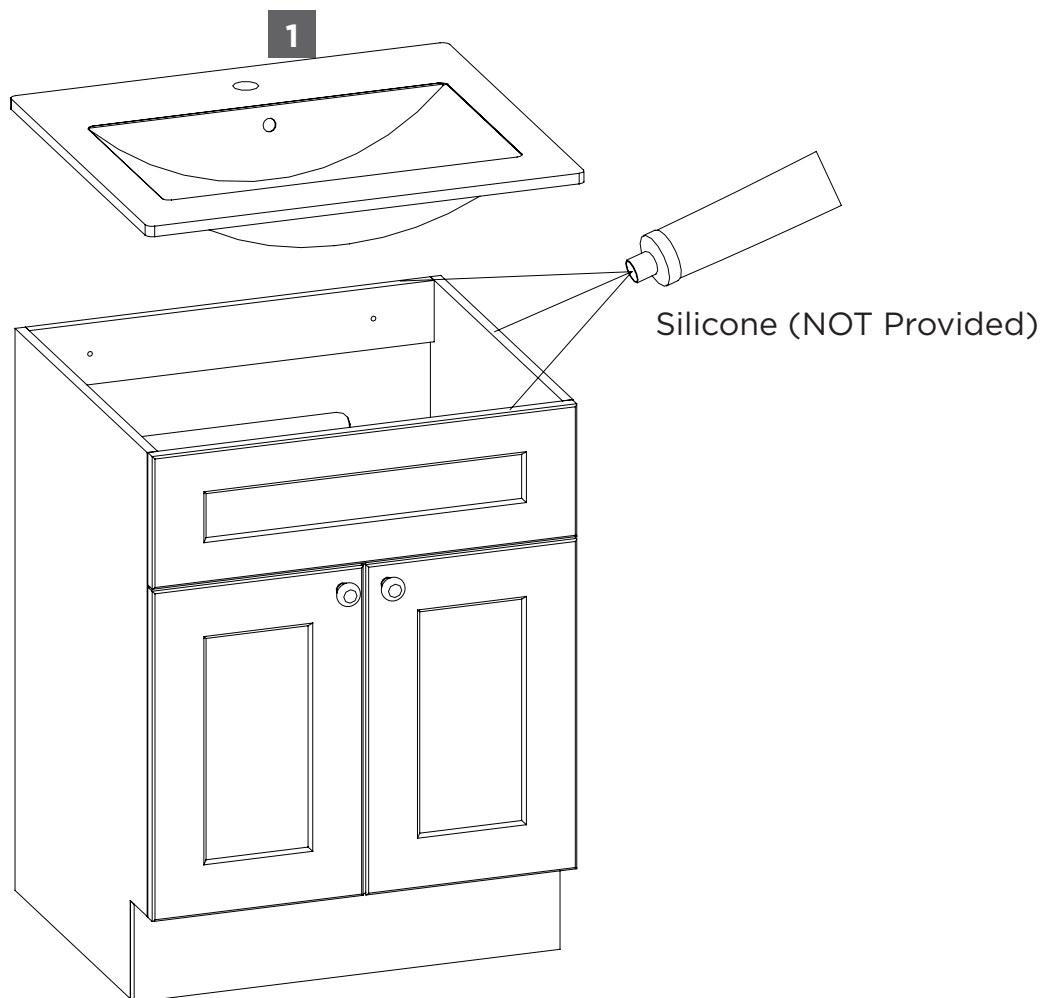
STEP-BY-STEP GUIDE

STEP 12

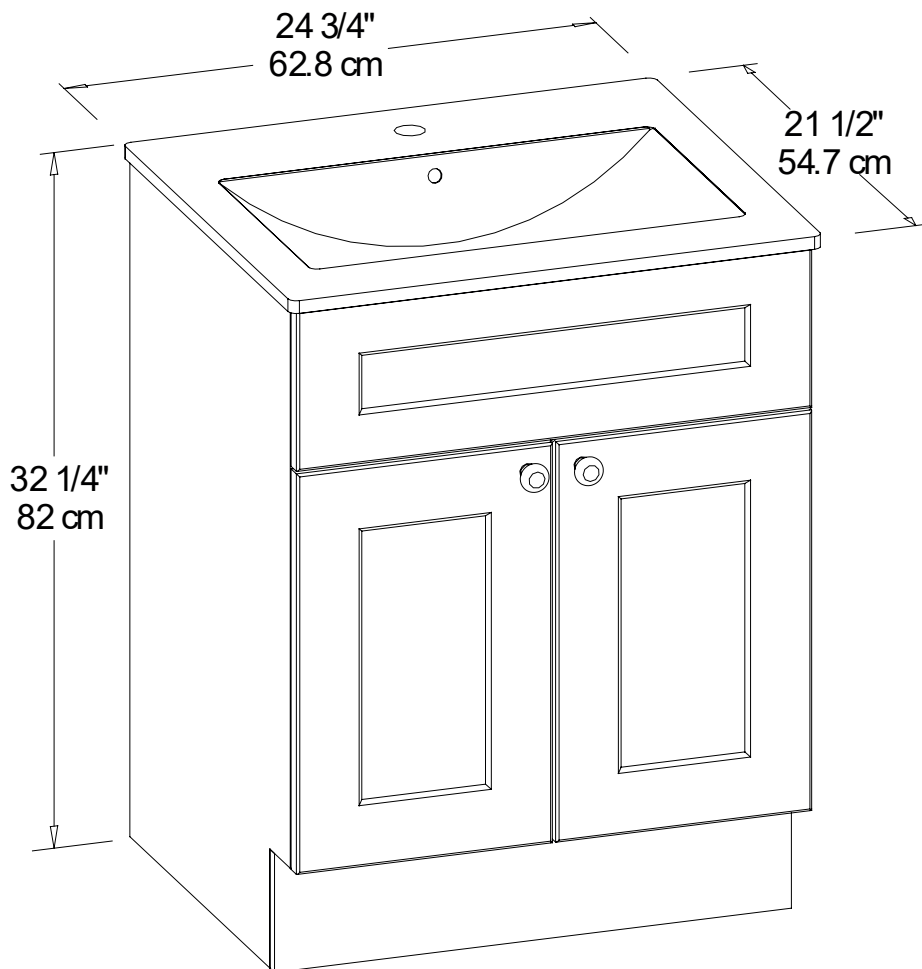
1 x1



Apply silicone around the top edge of vanity assembly to secure the vanity top **1**.



TECHNICAL DATA



SPECIFICATIONS

ASSEMBLED DIMENSIONS (W x D x H)

24 3/4 x 21 1/2 x 32 1/4 "

62.8 x 54.7 x 82 cm

ASSEMBLED WEIGHT

lb oz

kg

MAXIMUM WEIGHT CAPACITY

lb

kg

ASSEMBLY TROUBLESHOOTING

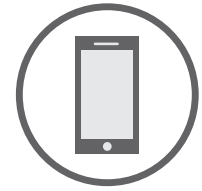


**BEFORE RETURNING
YOUR PRODUCT**

**HAVING TROUBLE?
LET US HELP YOU!**

**TOLL-FREE:
1-888-670-6684**

If you have questions regarding your product or require warranty assistance, please call our customer service helpline.



**CALL US;
WE CAN HELP**

PRODUCT TROUBLESHOOTING

PROBLEM	POSSIBLE CAUSES	SOLUTION
Vanity doors rub against another surface.	The floor is not level.	Adjust the leg levellers to ensure the vanity combo is level.
There is an uneven gap between the doors and cabinet.	The floor is not level.	Adjust the leg levellers to ensure the vanity combo is level.

CARING FOR YOUR ITEM

- 1 Rinse vanity top with clean, hot water frequently.
- 2 Blot spills quickly, and wash with mild soap and warm water.
- 3 Check all nuts and bolts periodically for tightness. When required, tighten them again.

WARRANTY INFORMATION



1-YEAR LIMITED WARRANTY*

This CANVAS® product carries a one (1) year warranty against defects in workmanship and materials. Trileaf Distribution agrees to replace the defective product free of charge within the stated warranty period, when returned by the original purchaser with proof of purchase. This product is not guaranteed against wear or breakage due to misuse and/or abuse.

PRODUCT NO. 063-6411-6-WHITE
063-6414-0-GREY

Made in Vietnam

Imported by Trileaf Distribution Trifeuil Toronto, Canada M4S 2B8

CANVAS™

INSPIRED BY CANADA

