



## VANITY ASSEMBLY INSTRUCTIONS

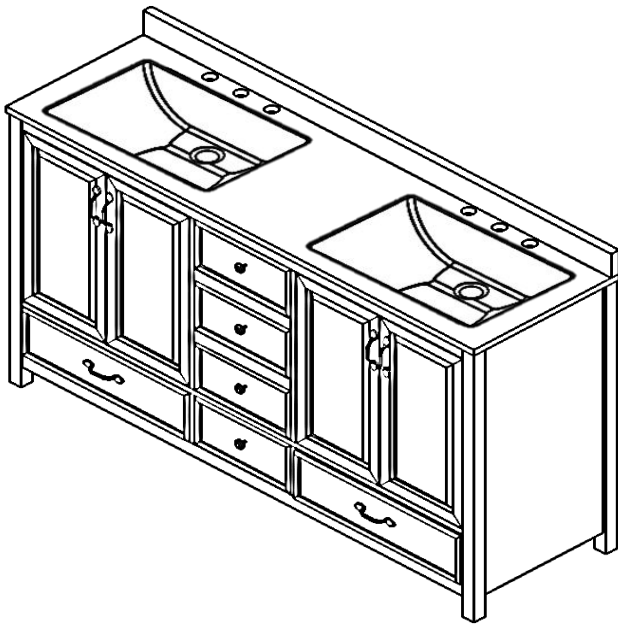
THANK YOU FOR YOUR PURCHASE !

FOR PARTS REPLACEMENT REQUEST, PLEASE CONTACT US AT 1-866 9425362

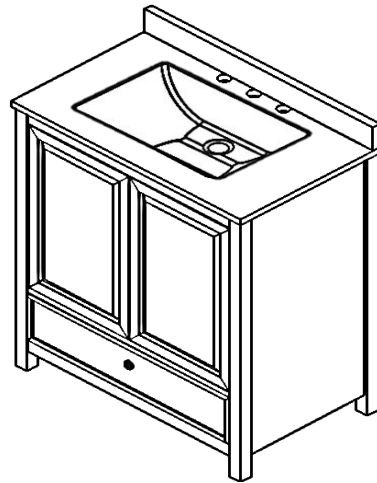
OR EMAIL: PARTS@WHALENFURNITURE.COM

READ ALL THE INSTRUCTIONS AND IDENTIFY ALL COMPONENTS AND CHOOSE YOUR CONFIGURATION AND BE SURE YOU HAVE ALL PARTS  
TWO PEOPLE ARE NEEDED TO ASSEMBLE

**ECSEV60-VW**  
60" VANITY 6 DRW



**ECSEV30-VW**  
30" VANITY 1 DRW



**TIPS: SEE ILLUSTRATION  
BELOW**

**TOOLS NEEDED**

LIQUIDNAIL GLUE (NOT INCLUDED)

**TOLEDO#2 30"(1 DRAWERS)**

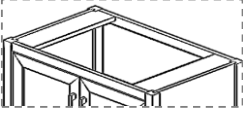
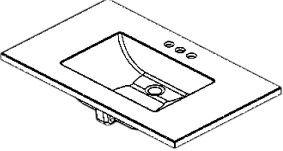
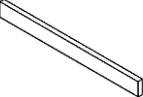


ECSEV30-VW 1 DRS VANITY WHITE

ECGRA30-VC 1 DRS VANITY CHOCOLATE

**TOLEDO#2 60"(6 DRAWERS)**

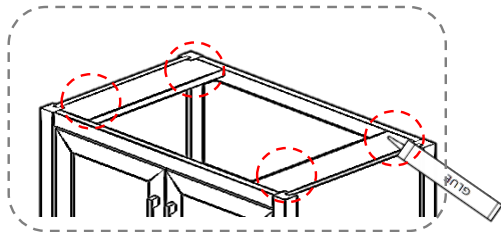
ECSEV60-VW 3 DRW VANITY WHITE

ECGRA60-VC 3 DRW VANITY CHOCOLATE

<b>LIST OF CONTENTS</b> <b>VANITY</b> A.- VANITY (1) B.-SINK (1) C.-BACK SPLASH (1) D.-PANEL (4) E.- GLUE (1)	 (A) VANITY ( 1 PCS )	 (B) SINK ( 1 PCS )	 (C) BACK SPLASH ( 1 PCS )	 (D) PANEL ( 4 PCS )	<b>NOT INCLUDED</b>  (E) GLUE ( 1 PCS )
---	---	---	--	--	--

**Before beginning:**

- 1.- Unpack all parts and hardware to ensure you have all needed components for assembly.
- 2.- Read this guide cover before beginning assembly.
- 3.- Have 2 adults on hand for assembly.
- 4.- Save all packaging until finished.

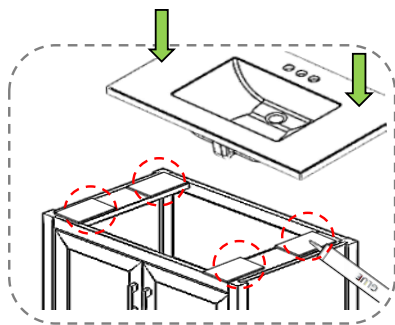
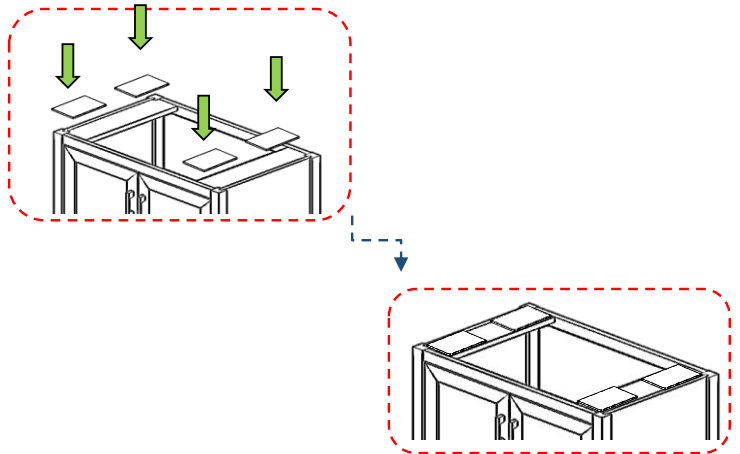


**STEP #1**

Prepare the glue (E) and place it on the corners of both boards of the vanity (A) as shown in the picture.

**STEP #2**

-Immediately take four panels (D) and place them on top of the glue previously placed.



**STEP #3**

-Place the glue (E) on top of the four panels.  
-Carefully, place the sink (B) on top of the vanity (A).

**STEP #4**

-Finally, place glue centered on both sides on top of the sink (B) and flush with the back and immediately place the back splash (C) on top of the glue previously placed. .

