



THRESHOLD™

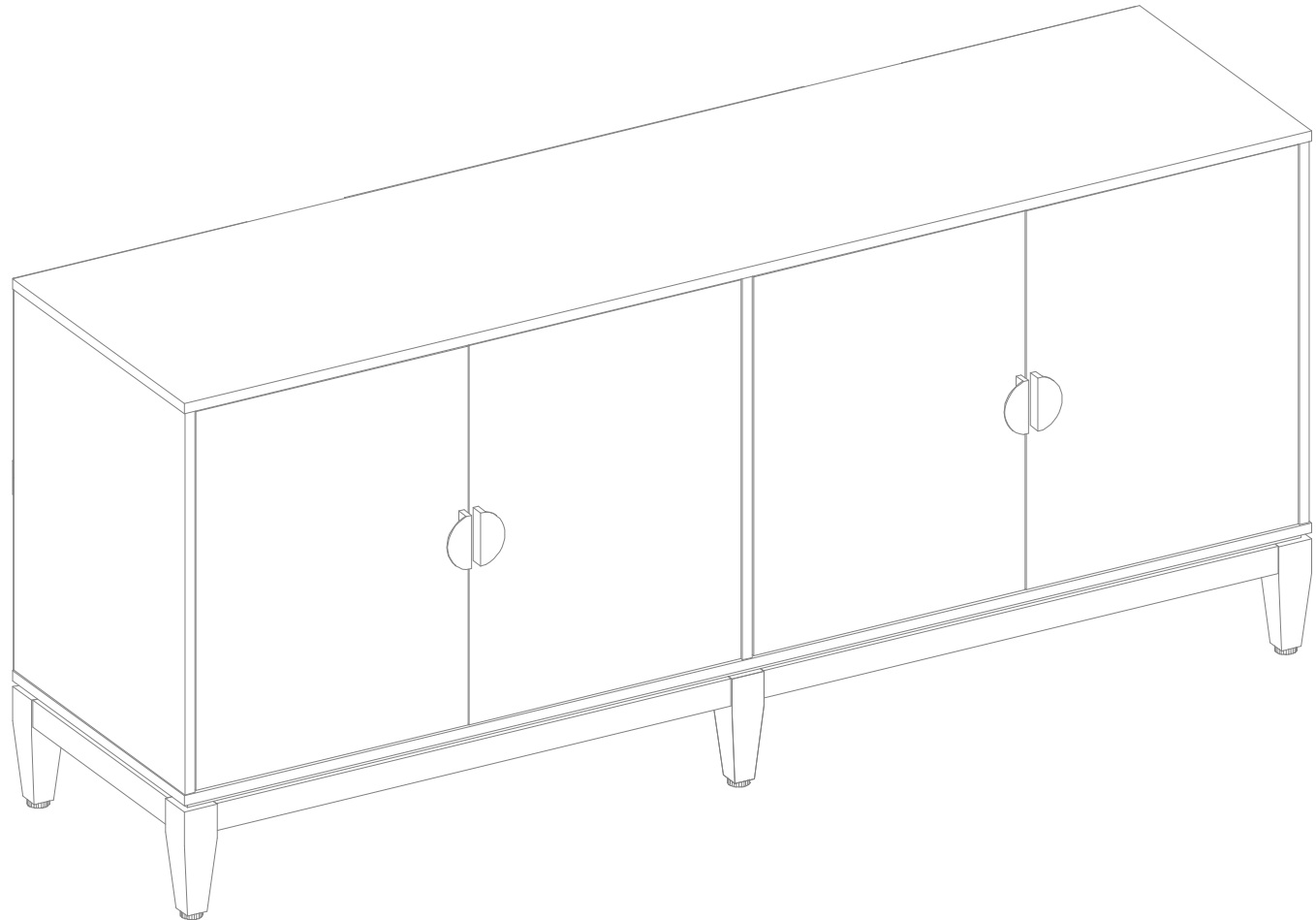
— *designed with* —

STUDIO MCGEE

Marvale 4 Door Media Stand

Style # TGAVC68-21

DPC-item #: 249-10-9873



>> [Assembly instructions](#)



Congratulations on your latest Target purchase.


Now what? Don't start sweating over this box of parts. This will be easy. We did the hard work for you. All you need to do is follow our simple instructions and you'll be on your way to transforming your room in no time. Good luck – though we're confident you won't need it.

before you begin

1. Check for damaged or missing parts. Call 1-855-MYTGTHOME (855-698-4846) to order missing supplies.
2. Use the carton as a work surface to prevent product damage during assembly.
3. Gather all tools prior to assembly.

Scan for easy 3D instructions

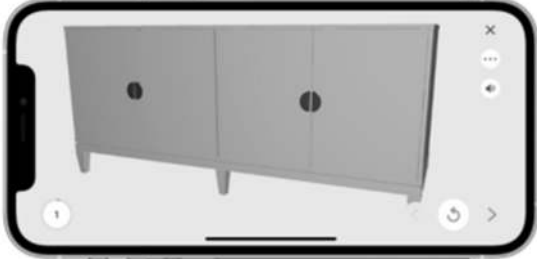
Tap. Zoom. Rotate with official interactive instructions on the BILT app.



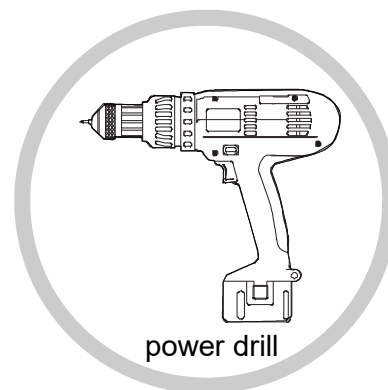
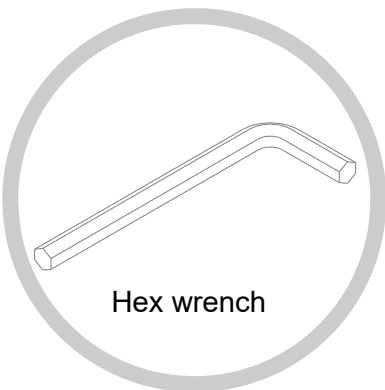
BILT®

Download on the App Store

GET IT ON Google Play



tools needed (only hex wrench included)



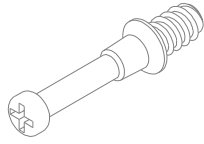
For tipping restraint hardware kit only.

hardware

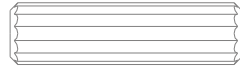
(H1) x 10
cam lock



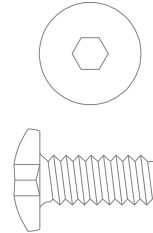
(H2) x 10
cam bolt



(H3) x 12
M8 x 30 mm
wood dowel



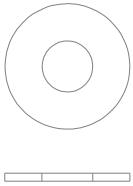
(H4) x 16
1/4" x 15 mm bolt



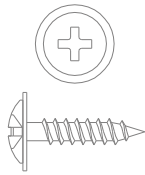
(H5) x 16
lock washer



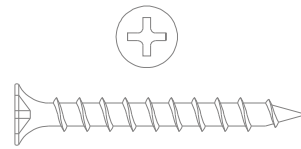
(H6) x 16
flat washer



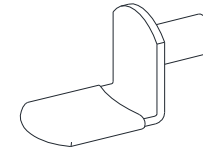
(H7) x 24
M3.5 x 15 mm
washer head screw



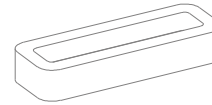
(H8) x 6
M4 x 38 mm screw



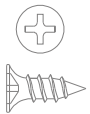
(H9) x 8
shelf support



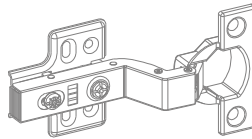
(H10) x 2
door stopper



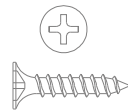
(H11) x 4
M3 x 10 mm screw



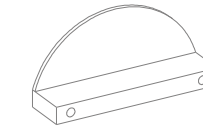
(H12) x 8
door hinge



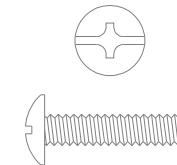
(H13) x 48
M4 x 15 mm screw
(Nickel)



(H14) x 4
handle

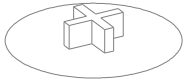


(H15) x 8
M4 x 18 mm handle bolt

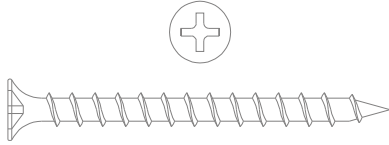


hardware

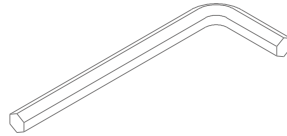
(H16) x 10
cam lock cover



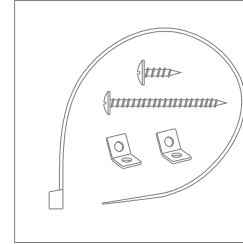
(H17) x 2
M4 x 50 mm screw



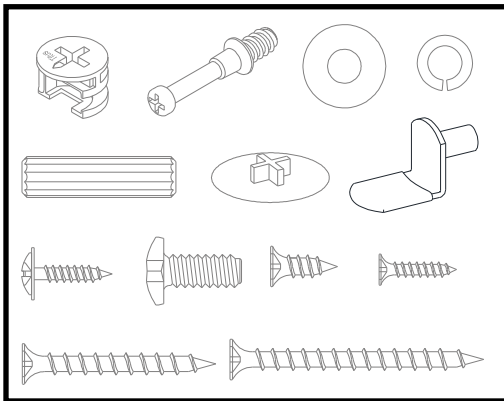
(H18) x 1
hex wrench



(H19) x 2
tipping restraint hardware kit
(inside plastic bag)

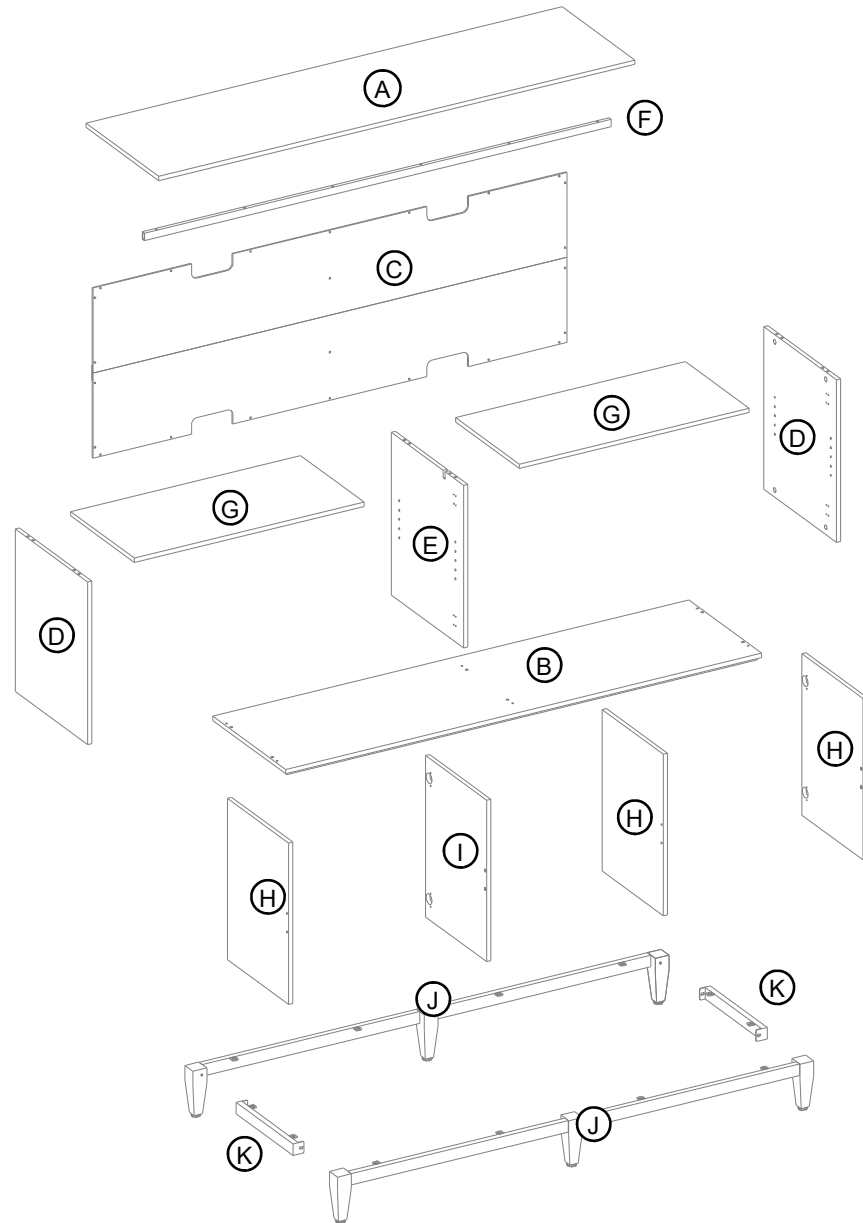


Spare hardware

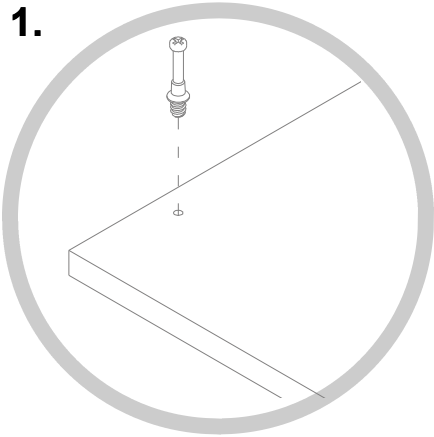


exploded diagram

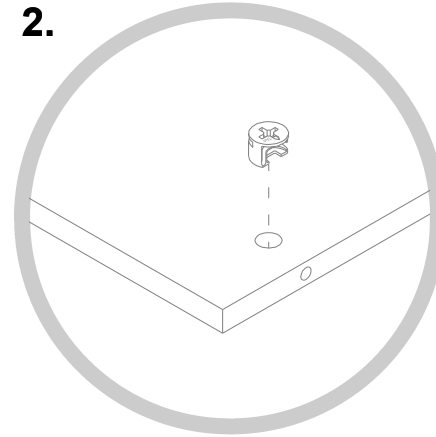
ITEM	DESCRIPTION	QTY
A	Top panel	1
B	Bottom panel	1
C	Back panel	1
D	Side panel	2
E	Partition panel	1
F	Top reinforcement	1
G	Adjustable Shelf	2
H	Side / Middle right door	3
I	Middle left door	1
J	Leg assembly	2
K	Bottom stretcher	2



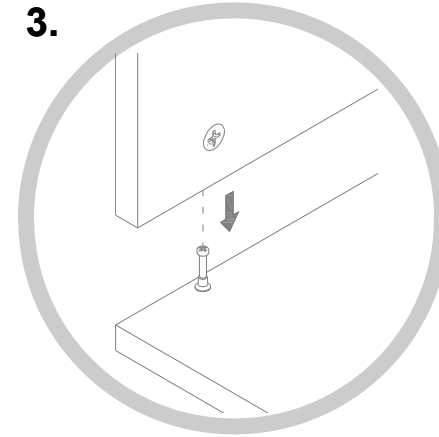
how to use the cam lock system



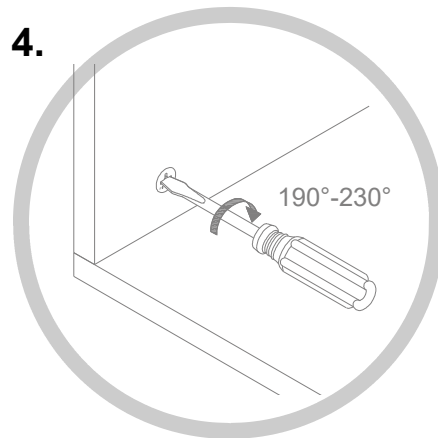
Screw cam bolt into panel



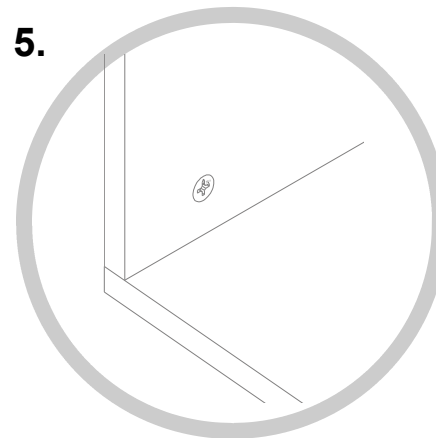
Push cam into panel - arrow feature on cam top points to panel edge



Align cam bolt(s) with cam(s) and insert all the way into cross-bored hole(s)



Rotate cam(s) clockwise 190°-230° to lock panels together

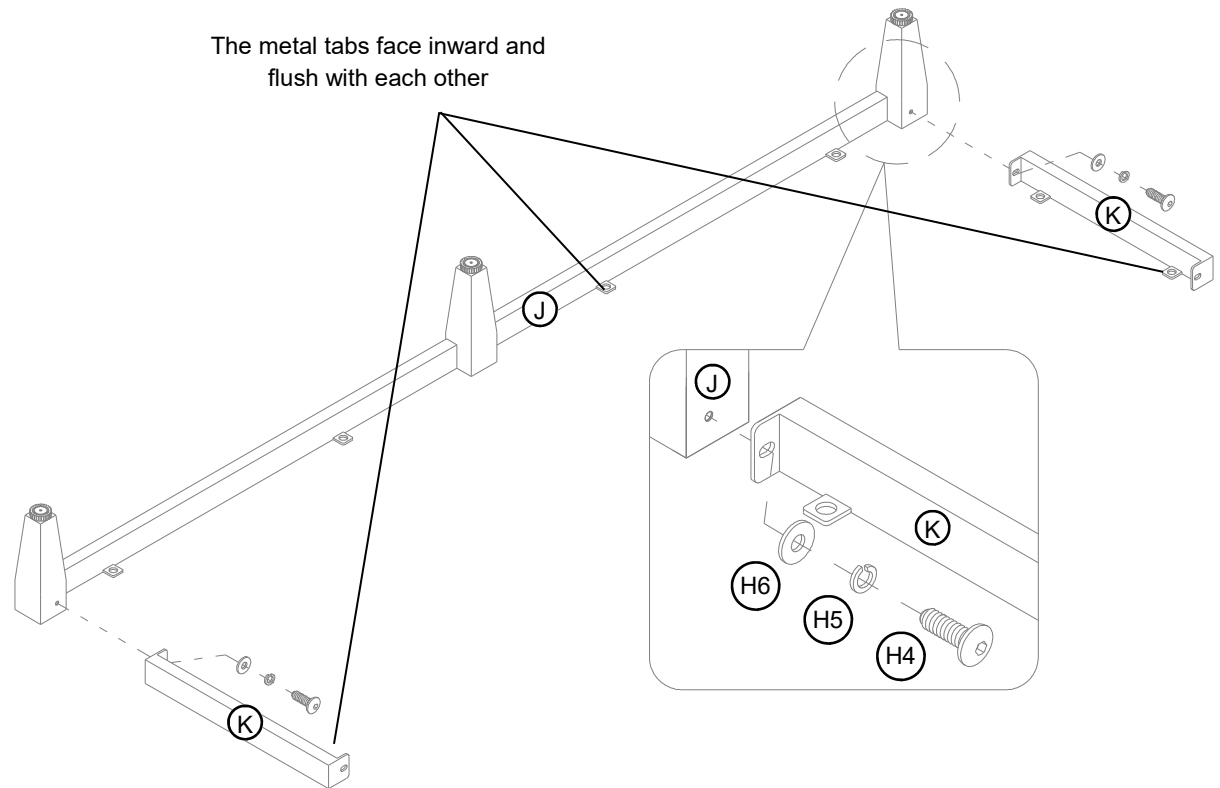


Panels should be tight against each other and connection should be rigid

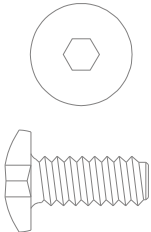
step 1: attach bottom stretchers to one leg assembly

NOTE: DO NOT fully tighten all bolts until you finish assembling all parts. Once assembled, go back and fully tighten all bolts. This will make the assembly easier.

The metal tabs face inward and flush with each other



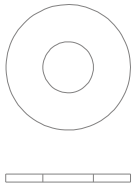
(H4) x 2
1/4" x 15 mm bolt



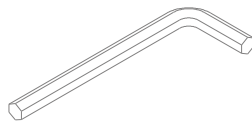
(H5) x 2
lock washer



(H6) x 2
flat washer

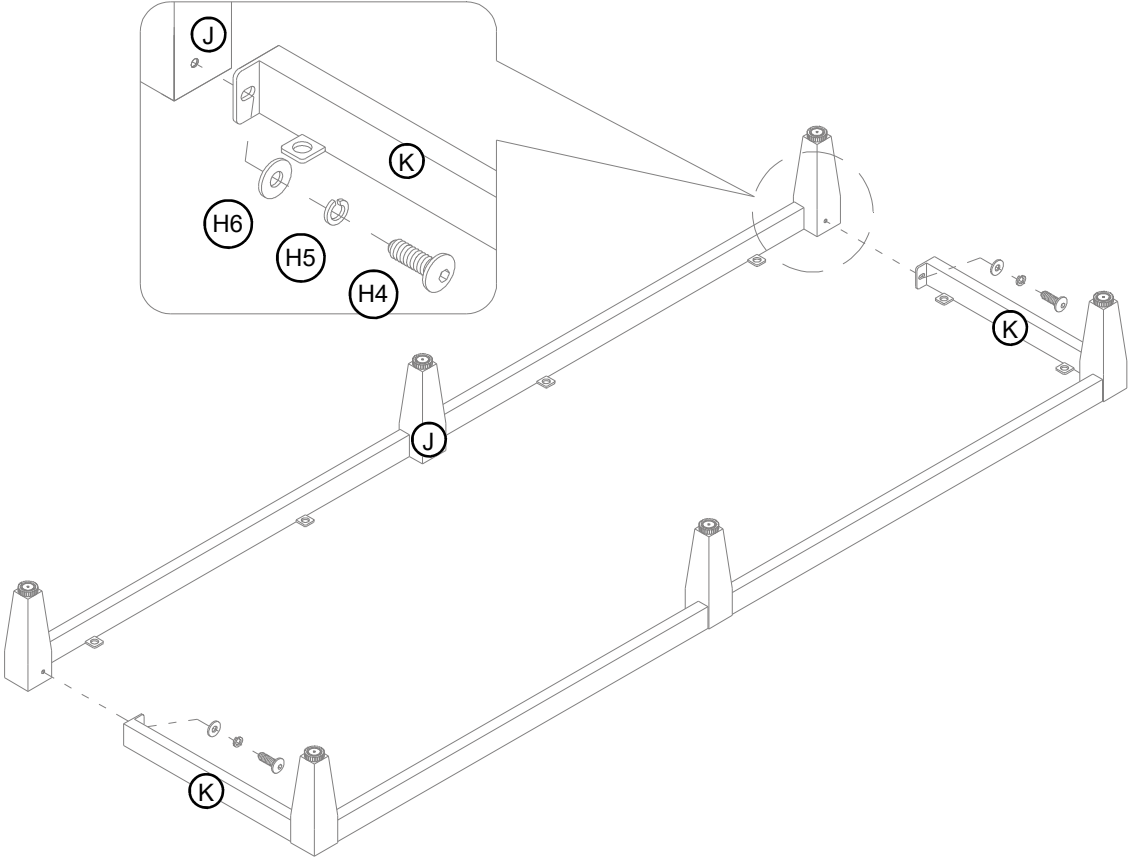


(H18) x 1
hex wrench

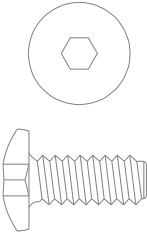


1.1. Orient and attach two bottom stretchers (K) to one leg assembly (J) with two 15 mm bolts (H4), two lock washers (H5) and two flat washers (H6).

step 2: install the base



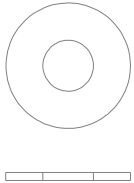
(H4) x 2
1/4" x 15 mm bolt



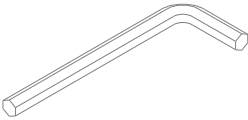
(H5) x 2
lock washer



(H6) x 2
flat washer



(H18) x 1
hex wrench



2.1. Repeat the same process to attach the other leg assembly (J) to the bottom stretchers (K).

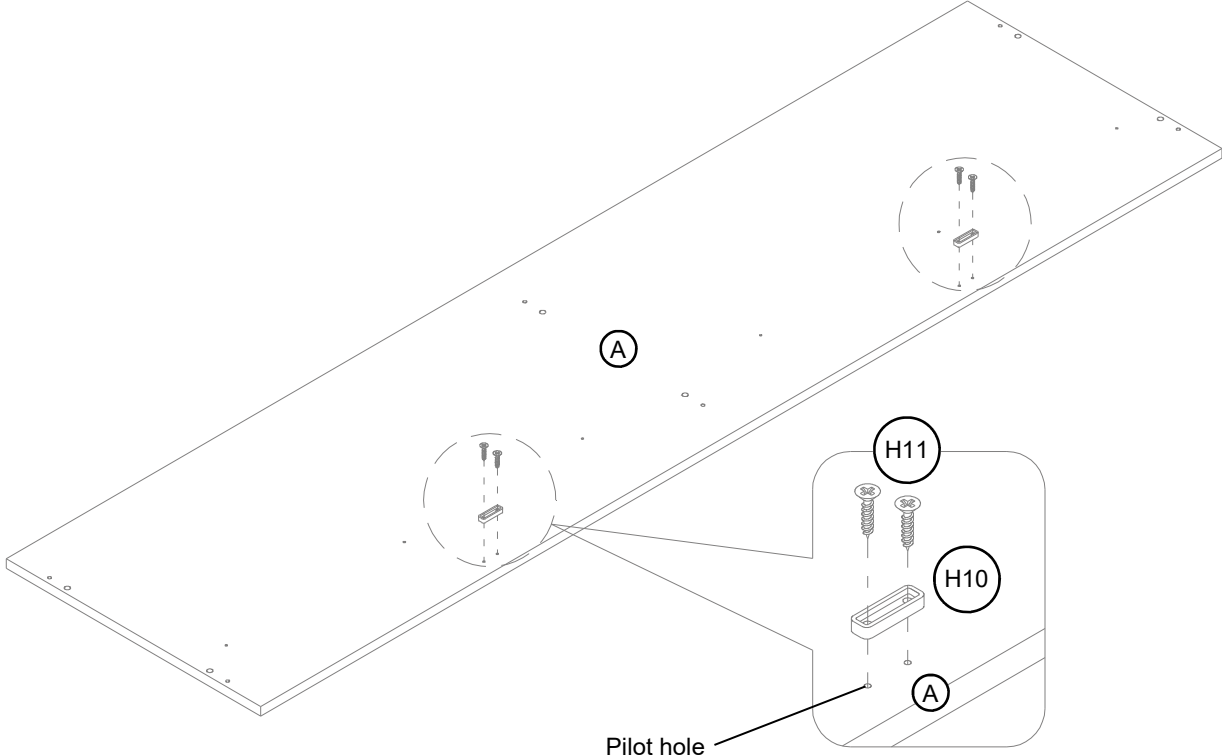
step 3: attach the door stoppers to the top panel

NOTE: DO NOT use power tools.

(H10) x 2
door stopper



(H11) x 4
M3 x 10 mm screw

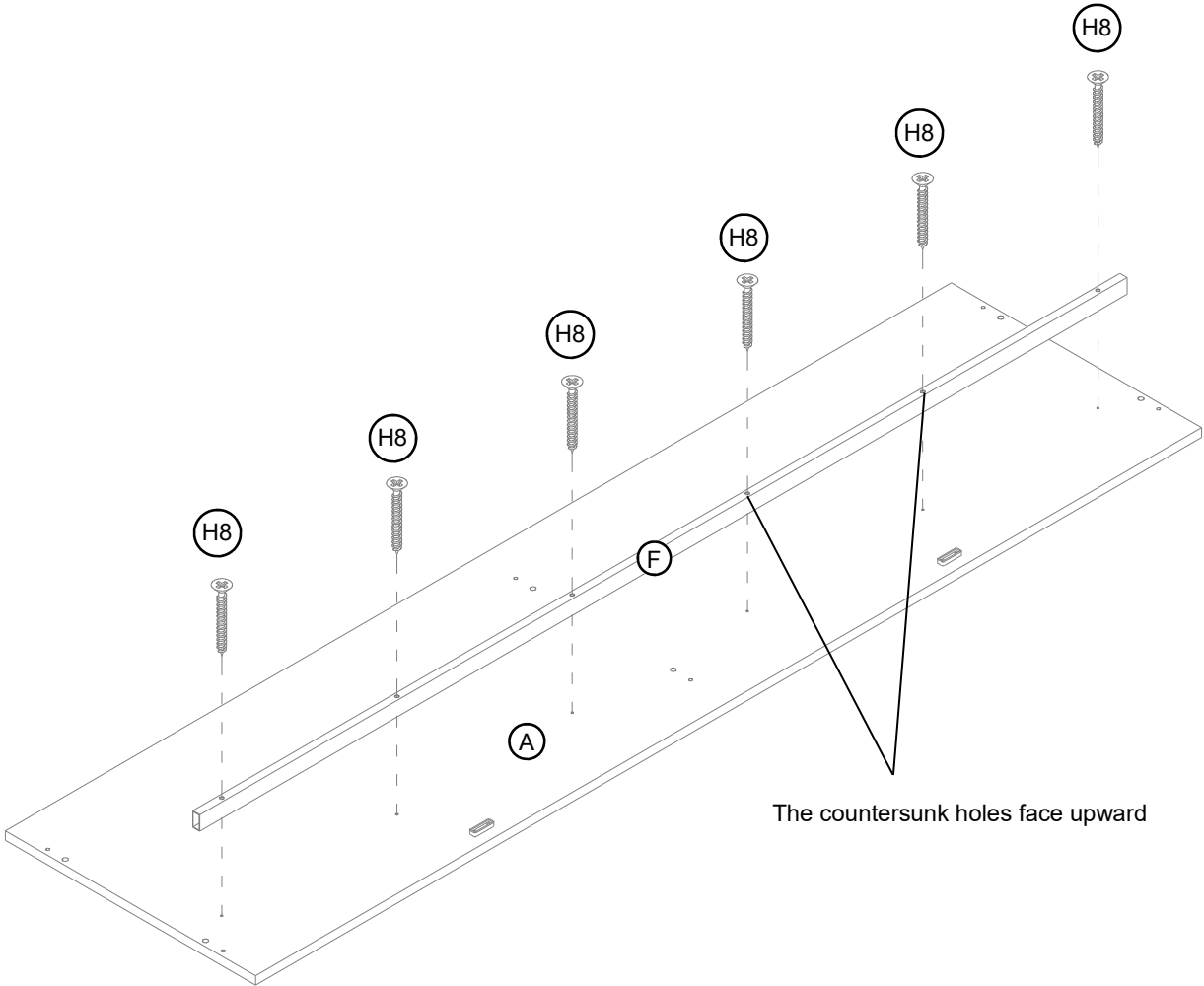
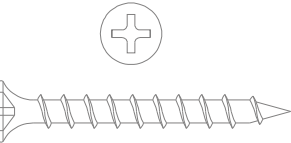


3.1. Using the pilot holes as a guide, attach the door stoppers (H10) to the top panel (A) with four 10 mm screws (H11).

step 4: fasten the top reinforcement

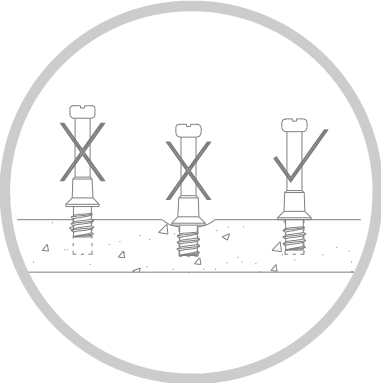
NOTE: DO NOT use power tools.

(H8) x 6
M4 x 38 mm screw

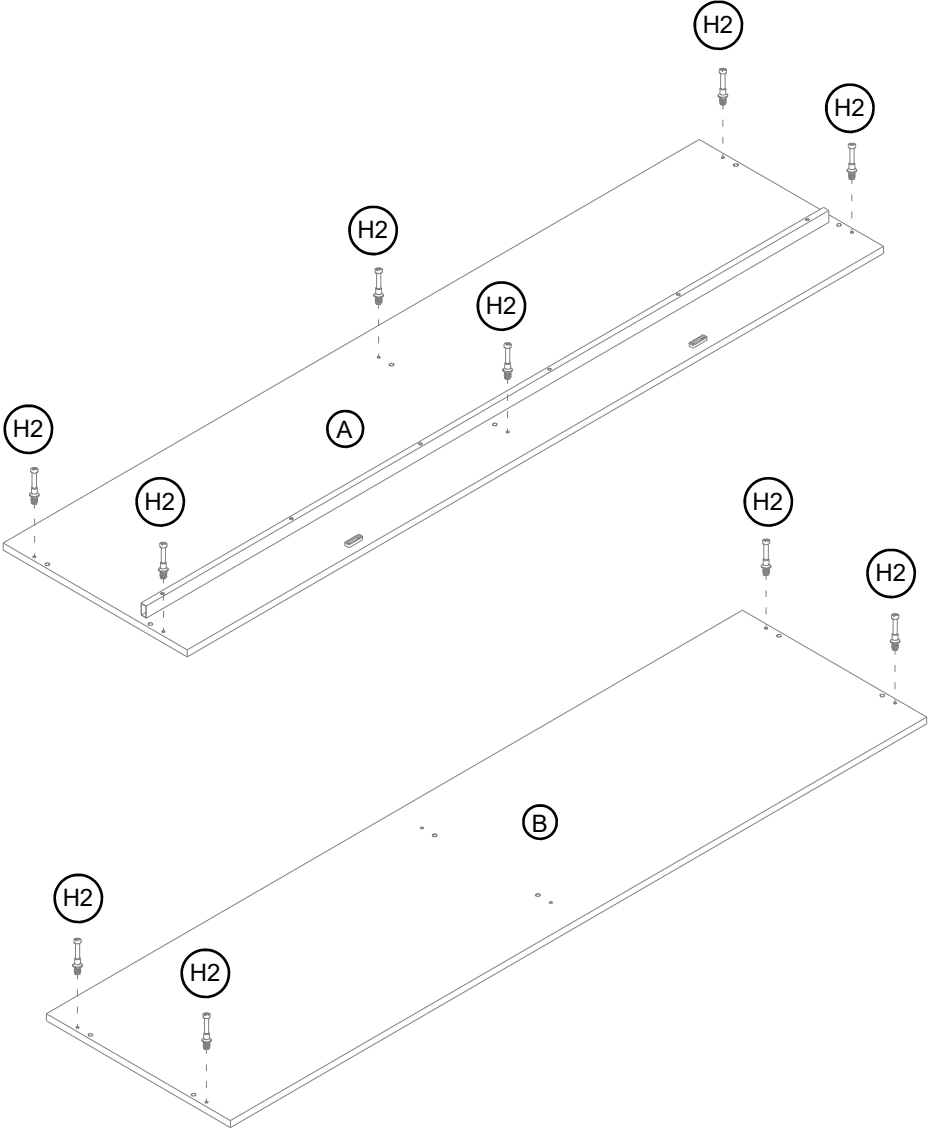
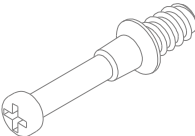


4.1. Using the pilot holes as a guide, orient and fasten the top reinforcement (F) to the top panel (A) with six 38 mm screws (H8).

step 5: prepare top and bottom panels assembly



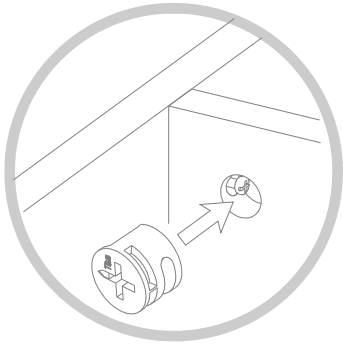
(H2) x 10
cam bolt



5.1. Securely screw the cam bolts (H2) into the designated small holes on the top and bottom panels (A and B).

step 6: attach the side panels and partition panel to the top panel

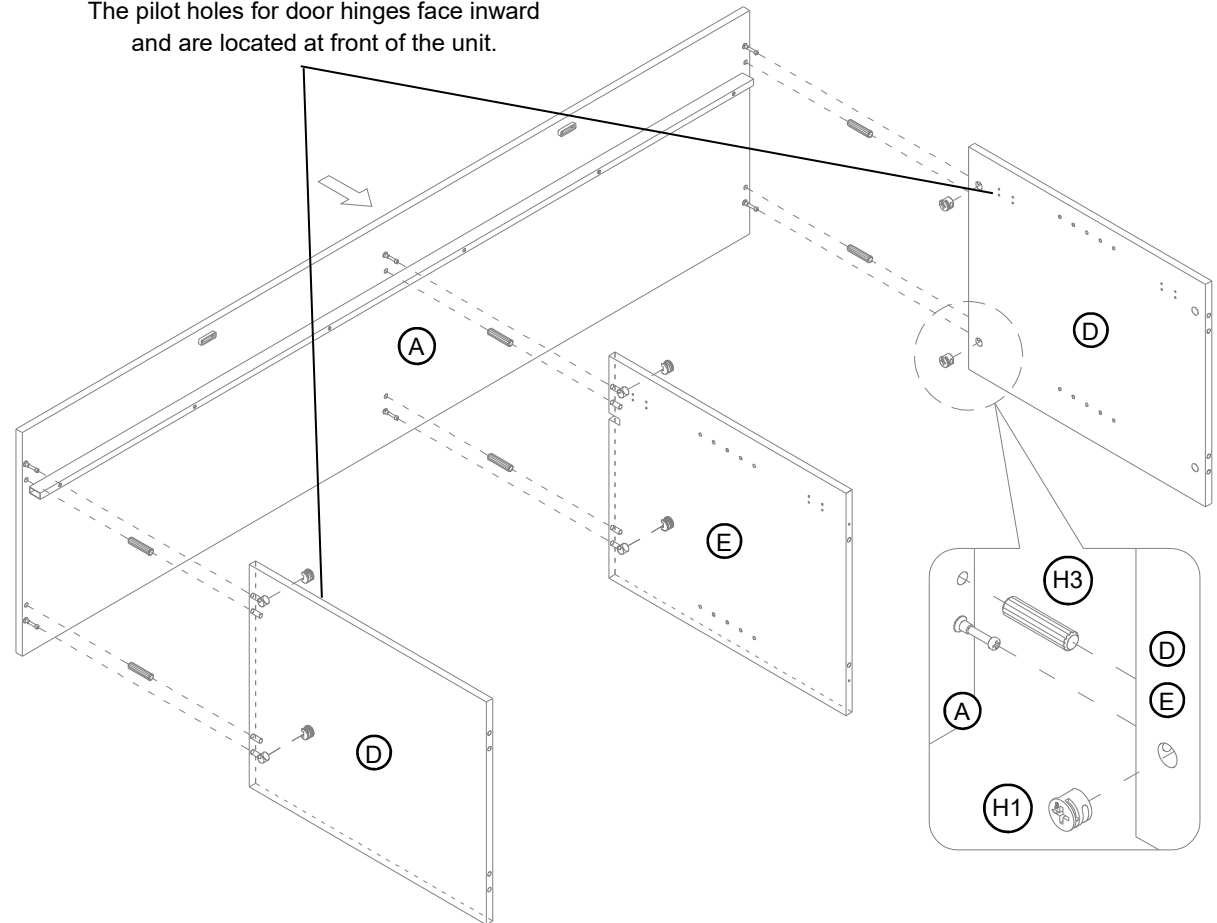
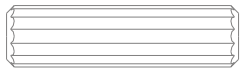
The pilot holes for door hinges face inward and are located at front of the unit.



(H1) x 6
cam lock

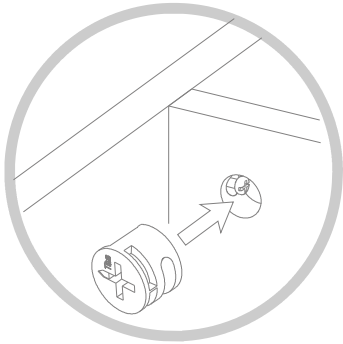


(H3) x 6
M8 x 30 mm wood dowel



- 6.1. Insert six wood dowels (H3) into the top inner holes of both side panels (D) and the partition panel (E).
- 6.2. Orient and attach the side panels (D) and partition panel (E) to the top panel (A) using six cam locks (H1).

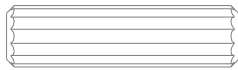
step 7: attach the bottom panel to the vertical panels



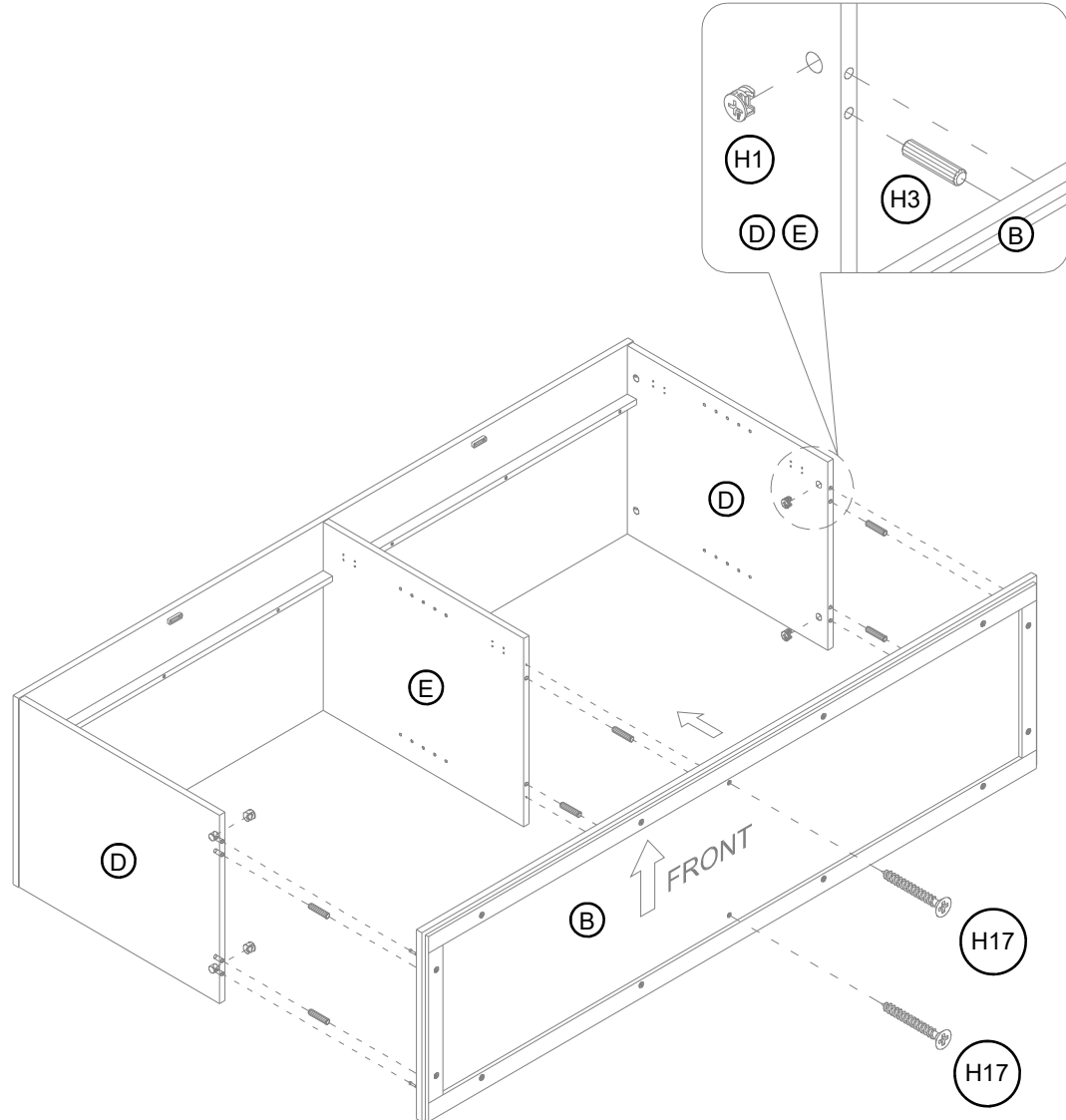
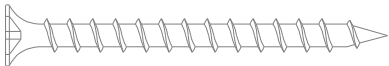
(H1) x 4
cam lock



(H3) x 6
M8 x 30 mm wood dowel



(H17) x 2
M4 x 50 mm screw



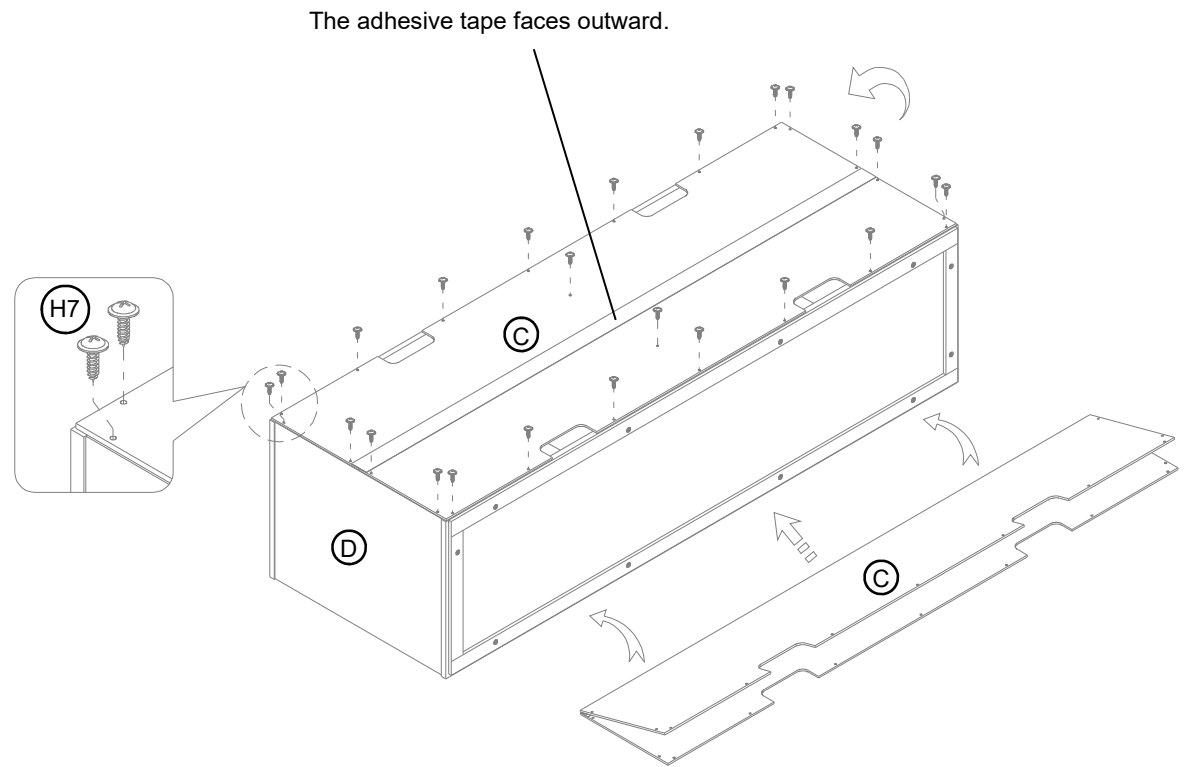
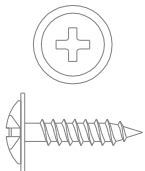
- 7.1. Insert six wood dowels (H3) into the bottom inner holes of both side panels (D) and the partition panel (E).
- 7.2. Align the inserted wood dowels with the large holes on the bottom panel (B) properly and press them together.
- 7.3. Insert two 50 mm screws (H17) through the mounting holes on the bottom panel (B) and securely screw into the partition panel (E).

step 8: fasten the back panel



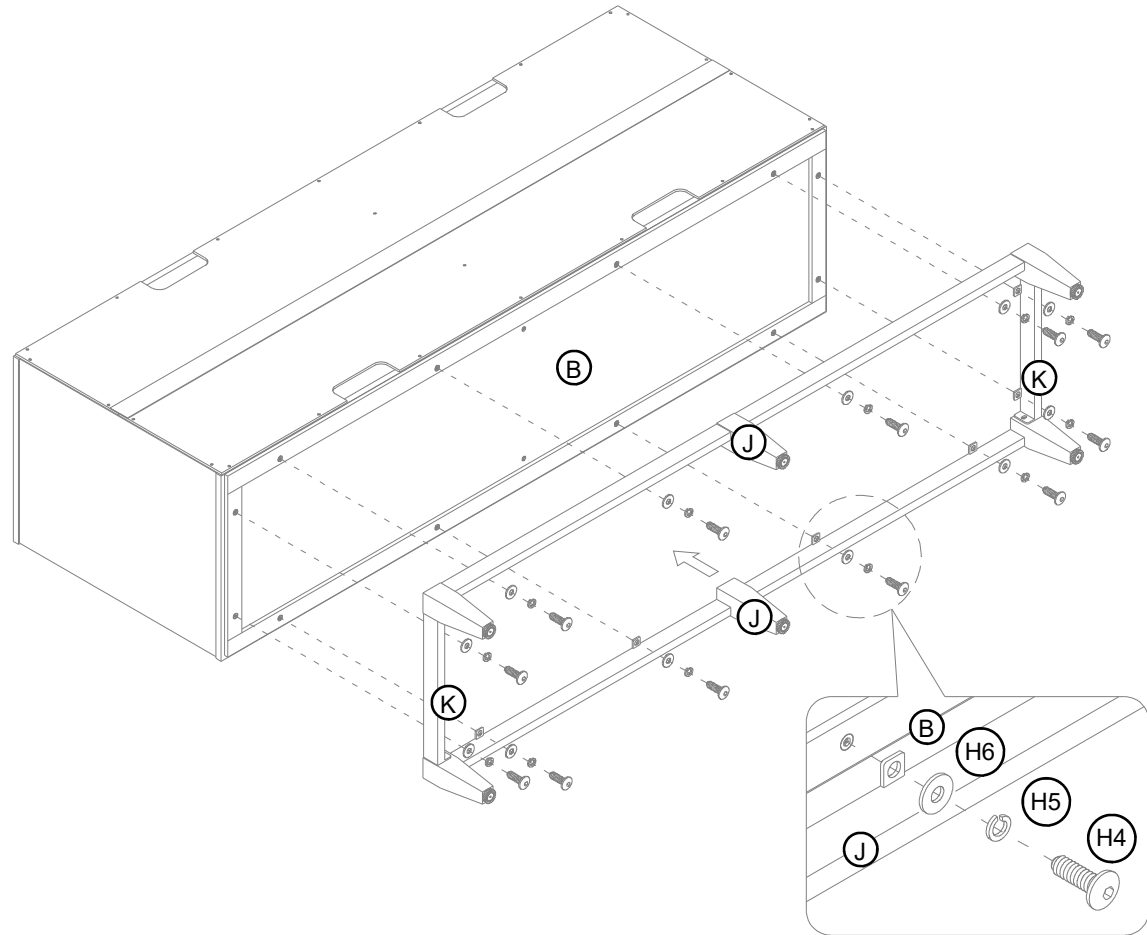
CAUTION: Heavy! You may need assistance with this step.

(H7) x 24
M3.5 x 15 mm
washer head screw

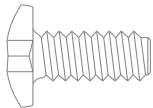
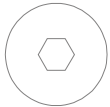


- 8.1. Now, go back and tighten all Cam Locks and Screws. Make sure that all the parts are tight and there are no gaps between the pieces. This will help keep the unit square.
- 8.2. Ask for assistance to flip around the previous assembly at its front edges.
- 8.3. Unfold the Back Panel (C) and lay it to the back edges of the assembled unit. Make sure that the overlaps on the panels are even all the way around. Attach the Back Panel (C) in place with the 15 mm Washer Head Screws (H7) provided.
NOTE: We recommend attaching the back panel with screws at the corner first.

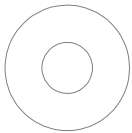
step 9: attach the base



(H4) x 12
1/4" x 15 mm bolt



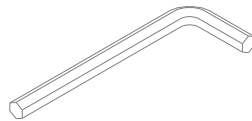
(H6) x 12
flat washer



(H5) x 12
lock washer



(H18) x 1
hex wrench



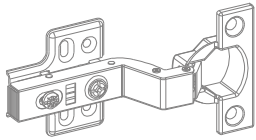
9.1. Insert twelve 15 mm bolts (H4) with the lock washers (H5) and flat washers (H6) through the metal tabs on the assembled base and securely screw into the bottom panel (B).

9.2. Set the floor levelers to the correct height.

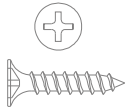
step 10: install the door handles and hinges

NOTE: DO NOT use power tools.

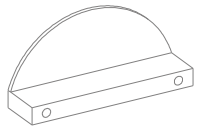
(H12) x 8
door hinge



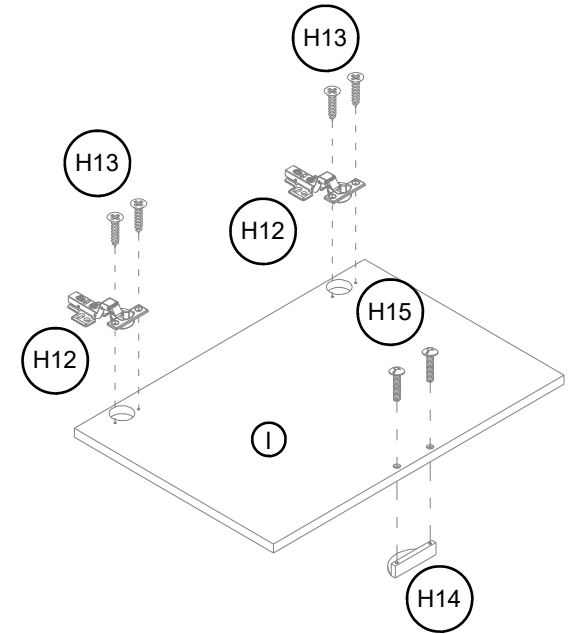
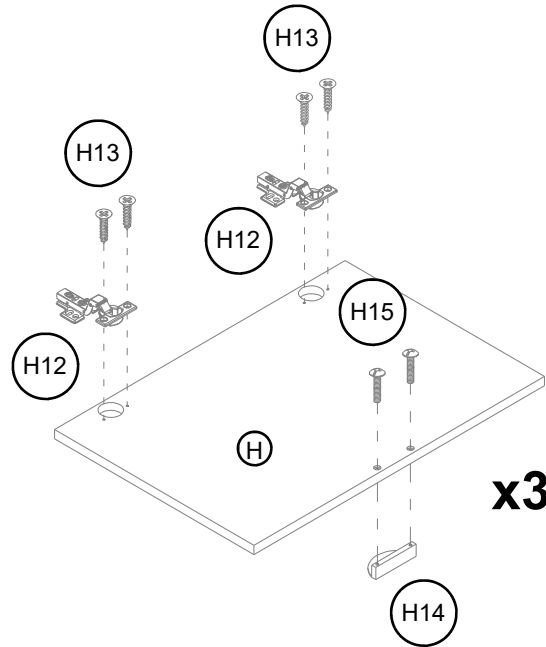
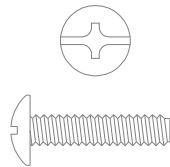
(H13) x 16
M4 x 15 mm screw
(Nickel)



(H14) x 4
handle



(H15) x 8
M4 x 18 mm handle bolt



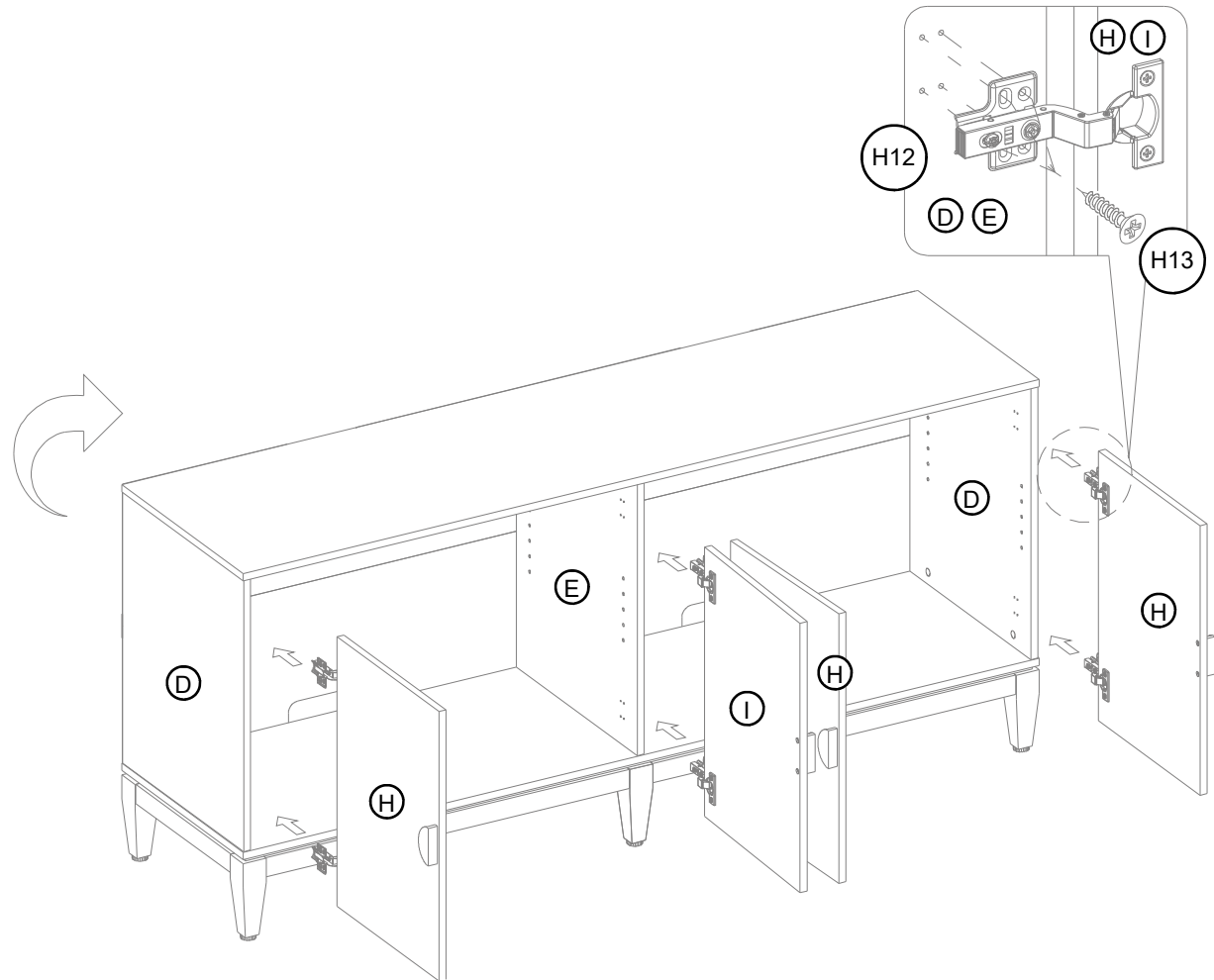
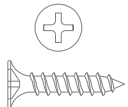
- 10.1. Extend two hinges (H12) and rest the hinge cups onto the cutouts of each door (H and I).
- 10.2. Fasten the hinges into place using the 15 mm screws (H13). Tighten them with a Phillips screwdriver.
- 10.3. Orient and attach one handle (H14) to the front of each door (H and I) with two 18 mm handle bolts (H15).

step 11: attach the doors



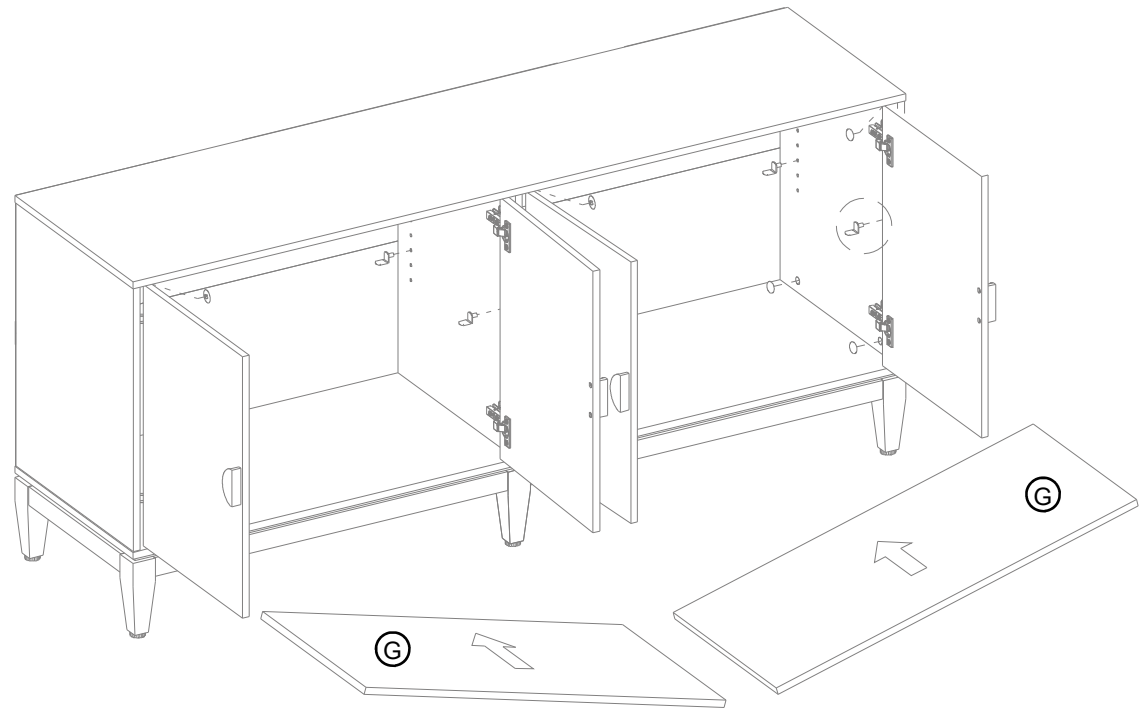
CAUTION: Heavy! You may need assistance with this step.

(H13) x 32
M4 x 15 mm screw
(Nickel)



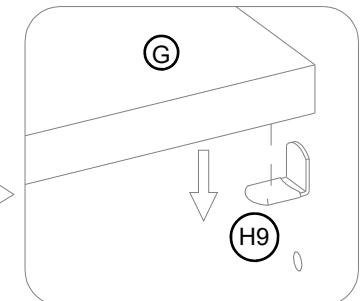
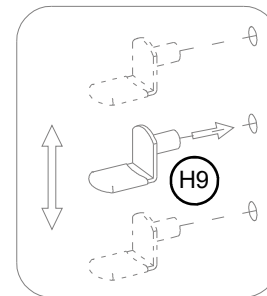
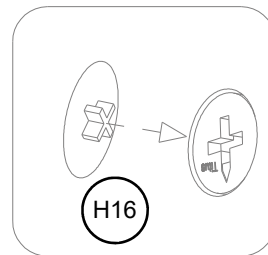
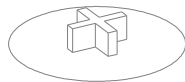
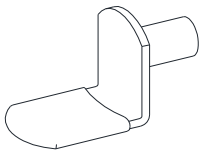
- 11.1. Ask for assistance to lift the assembled unit upright and position it near the final location.
- 11.2. Pick up the middle left door (I) and attach the extended hinge bases to the left side of the partition panel (E) with eight nickel screws (13), using the pilot holes as a guide. Make sure that both door hinges engage and function properly.
- 11.3. Repeat the same process to attach the other doors (H) into place.
- 11.4. Open and close the doors to make sure they are aligned and shut correctly. If necessary, adjust the screws for a good fit. Refer to the hinge sticker on door for adjustment.

step 12: install the adjustable shelves and put cam lock covers



(H9) x 8
shelf support

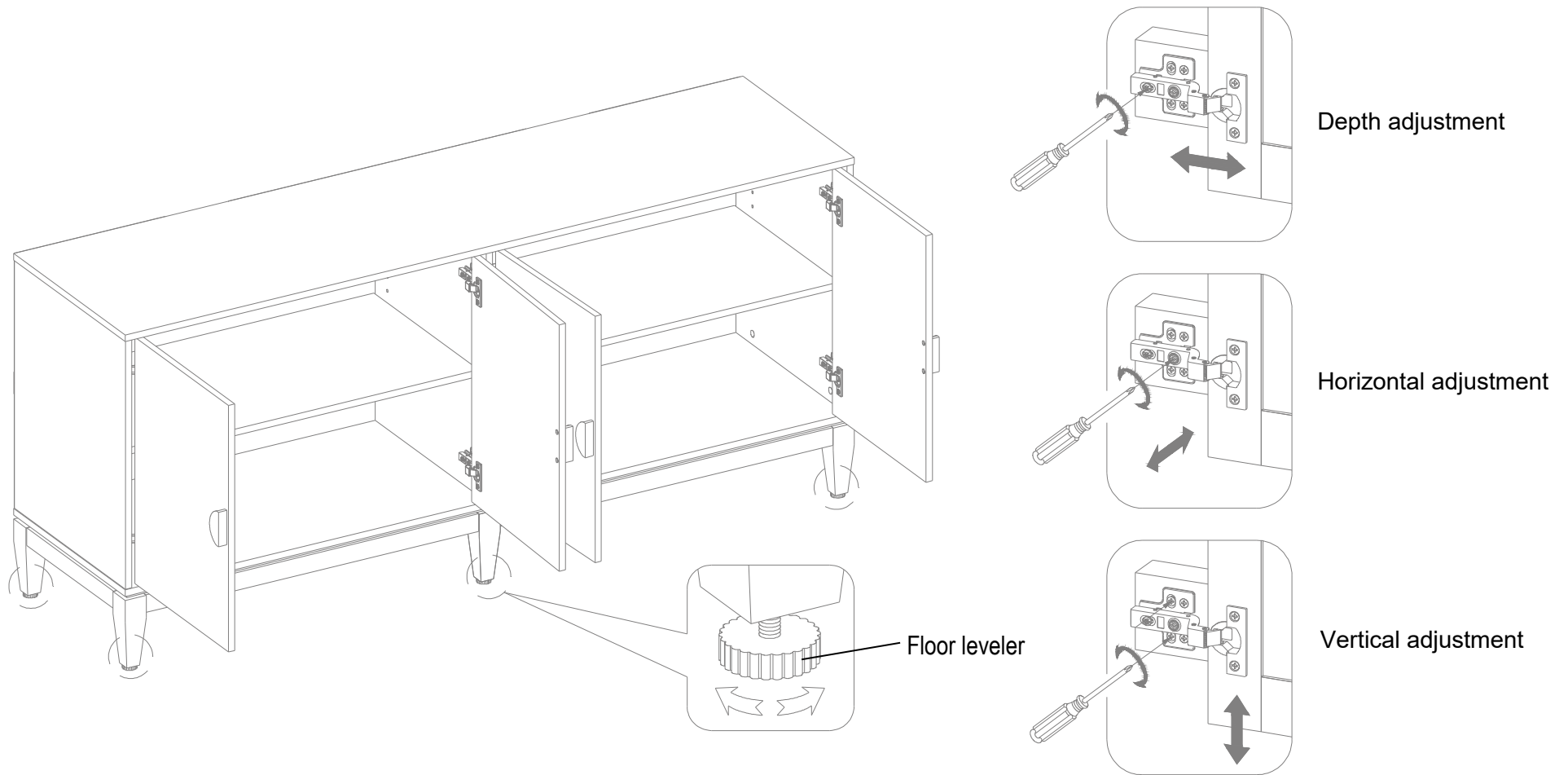
(H16) x 10
cam lock cover



12.1. Open the doors and insert four shelf supports (H9) in the holes at the desired height inside each compartment. Make sure you place the four shelf supports at the same level to level the shelf. Tilt and rest the adjustable shelves (G) onto the shelf supports.

12.2. Plug the cam lock covers (H16) onto the visible cam locks to conceal the cams.

step 13: adjust the doors

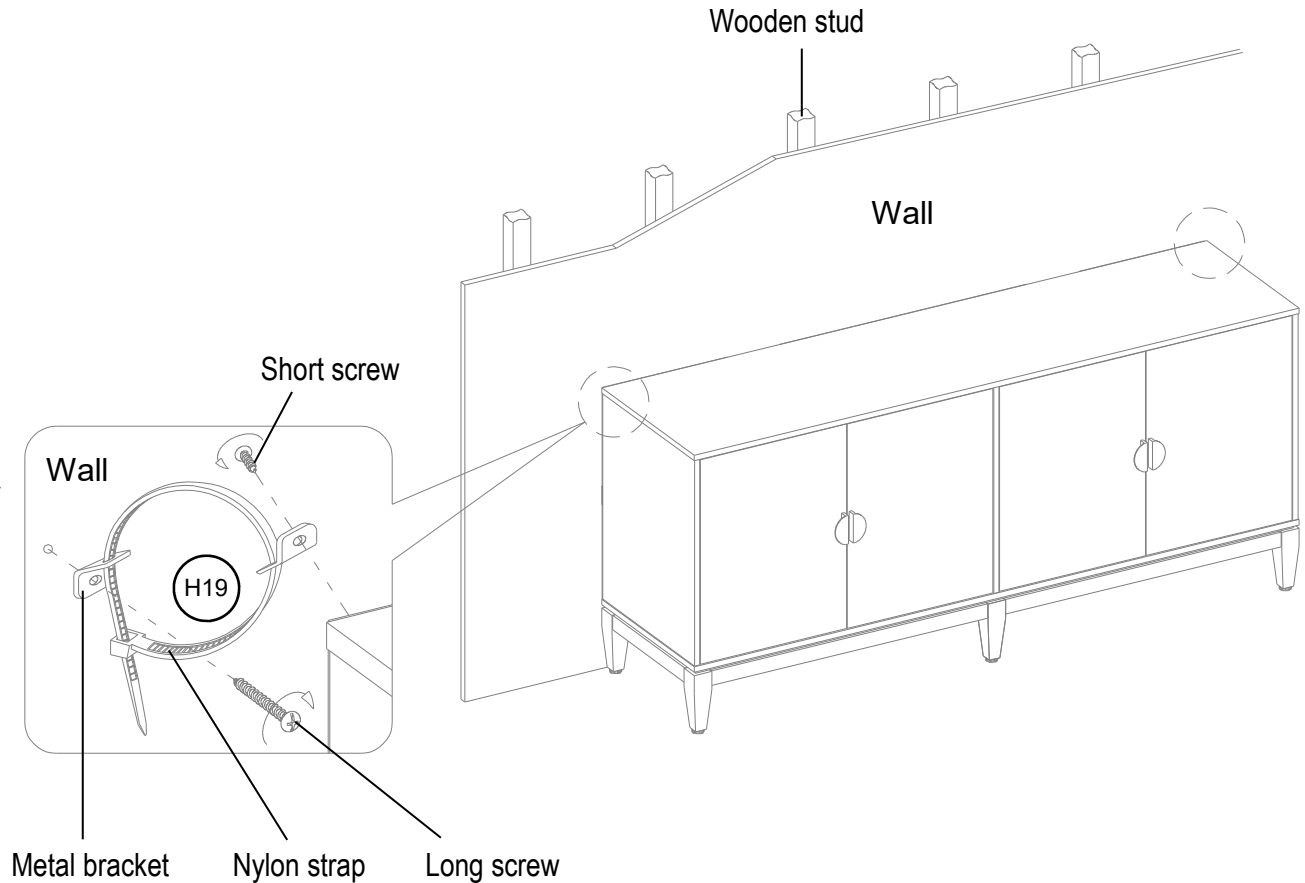
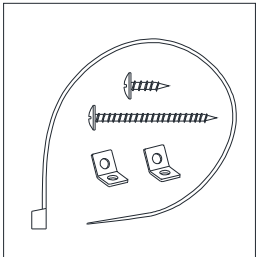


13.1. Raise or lower the floor levelers by hand to correct tilting and / or level doors.
NOTE: Do not open the two middle doors at the same time.

step 14: install the tipping restraint hardware kit



(H19) x 2
tipping restraint hardware kit



Tools required: Phillips screwdriver, stud finder, tape measure, pencil, power drill and 1/8" drill bit (not provided).

14.1. Follow the instructions printed on plastic bag containing tipping restraint hardware to attach tip-over restraint between the unit and wall.

NOTE: You can share the back panel screw hole for the anti-tipping hardware. You must use this tipping restraint to attach this unit to the wall, to prevent accidents and/or injuries.

FURNITURE TIPPING RESTRAINT

YOUNG CHILDREN MAY BE INJURED BY TIPPING FURNITURE AND YOU MUST USE THIS TIPPING RESTRAINT TO ATTACH THIS UNIT TO THE WALL, TO PREVENT ACCIDENTS AND/OR INJURIES.

THIS HARDWARE, MUST BE PROPERLY INSTALLED (FOLLOW ALL DIRECTIONS IN ORDER ON THIS INSTRUCTIONS), TO PROVIDE PROTECTION AGAINST THE UNEXPECTED TIPPING OF FURNITURE DUE TO IMPROPER USE.

THIS PRODUCT IS ONLY A DETERRENT. IT IS NOT A SUBSTITUTE FOR PROPER ADULT SUPERVISION. USE OF TIP-OVER RESTRAINTS MAY ONLY REDUCE, BUT NOT ELIMINATE, THE RISK OF TIP-OVER.

WARNING

- Unit must be placed on a level surface or leveled with included hardware (when applicable).
- Do not sit or stand on or allow children to climb, sit or stand on the assembled product.
- For safety reasons, it is imperative that this unit be mounted to the wall.
- Do not use without installing the tip restraint.
- Unit can tip over causing severe injury or death.
- Do not exceed the recommended weight limits.
- Evenly distribute the weight on each level and always keep the heavier loads on the bottom.
- Before cutting, drilling or hammering into any wall or floor surface, verify the location of electrical, plumbing and gas lines. Cutting may cause serious injury.

Care and Maintenance

- Use a soft, clean cloth that will not scratch the surface when dusting.
- Use of furniture polish is not necessary. Should you choose to use polish, test first in an inconspicuous area.
- Using solvents of any kind on your furniture may damage the finish.
- Never use water to clean your furniture as it may cause damage to the finish.
- Always use coasters under beverage glasses and flowerpots.
- Liquid spills should be removed immediately. Using a soft, clean cloth, blot the spill gently. Avoid rubbing.
- Always use protective pads under hot dishes and plates. Heat can cause chemical changes that may create spotting within the furniture finish.
- Stains or marks from crayons or ink markers will be difficult to remove.
- In the event that your furniture is stained or otherwise damaged during use, we recommend that you call a professional to repair your furniture.
- Check bolts/screws and nuts periodically and tighten them if necessary.

Further Advice about Wood Furniture Care

It is best to keep your furniture in a climate-controlled environment. Extreme temperature and humidity changes can cause fading, warping, shrinking and splitting of wood. It is advised to keep furniture away from direct sunlight as sun may damage the finish.

Proper care and cleaning at home will extend the life of your purchase. Following these important and helpful tips will enhance your furniture as it ages.

We hope you enjoy your purchase for many years.
Thank you for your purchase!

QUALITY GUARANTEE

We are confident that you will be delighted with your Whalen Furniture purchase.

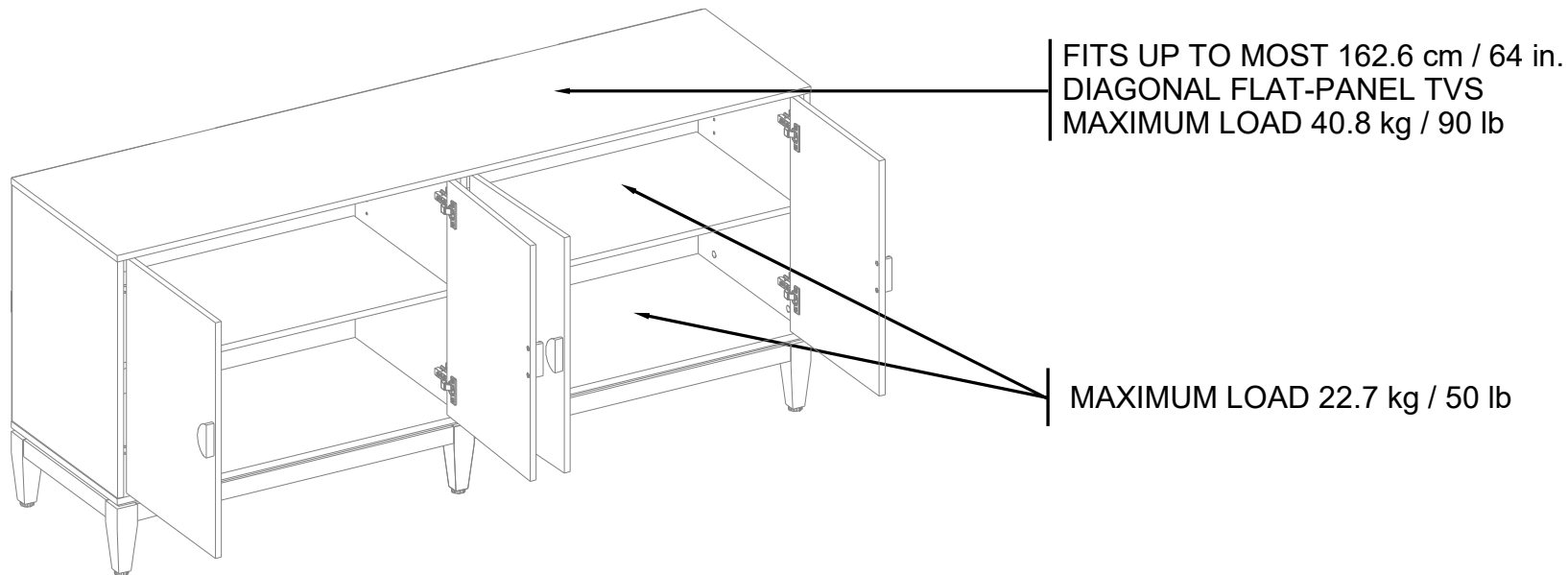
Should this product be defective in workmanship or materials or fail under normal use, we will repair or replace it for up to one (1) year from date of purchase. Every Whalen Furniture product is designed to meet your highest expectations. We guarantee that you will immediately see the value of our fine furniture.

This warranty gives you specific legal rights and you may also have other rights which vary from state to state or province to province.

Customer Service: 1-855-MYTGTHOME (855-698-4846)
8:30 a.m. - 4:30 p.m., PST, Monday to Friday
www.whalenfurniture.com

MAXIMUM RECOMMENDED WEIGHT LOADS

MANUFACTURER: Whalen Furniture Manufacturing
CATALOG: Marvale 4 Door Media Stand
MODEL # TGAVC68-21



WARNING

THIS UNIT IS NOT INTENDED FOR USE WITH CRT TVS. USE ONLY WITH FLAT PANEL TVS AND AUDIO/ VIDEO EQUIPMENT MEETING RECOMMENDED SIZE AND WEIGHT LIMITS. NEVER USE WITH LARGER/HEAVIER THAN RECOMMENDED FLAT PANEL TVS OR EQUIPMENT. TO AVOID INSTABILITY, PLACE FLAT PANEL TV IN THE CENTRE OF THE UNIT; THE BASE OF THE TELEVISION MUST BE ABLE TO REST ON THE SUPPORTING SURFACE OF THE UNIT WITHOUT OVER-HANGING THE EDGES. IMPROPERLY POSITIONED FLAT PANEL TVS, OR FLAT PANEL TVS INCLUDING OTHER EQUIPMENT THAT EXCEED RECOMMENDED SIZE AND WEIGHT LIMITS COULD FALL OFF OR BREAK THE UNIT, CAUSING POSSIBLE SERIOUS INJURY. FOR USE WITH TELEVISIONS WEIGHING 90 LB (40.8 KG) OR LESS. USE WITH HEAVIER TELEVISIONS MAY RESULT IN INSTABILITY CAUSING TIP OVER RESULTING IN DEATH OR SERIOUS INJURY.

The maximum recommended weight allowance is 40.8 kg / 90 lb for top panel.
The maximum recommended weight allowance is 22.7 kg / 50 lb for shelves.

 **WARNING**

Please use your furniture correctly and safely. Improper use can cause safety hazards, or damage to your furniture or household items. Carefully read the following safety information.

This unit is not intended for use with CRT TVs. The top surface maximum weight capacity is 90 lb (40.8 kg) and maximum load 64 in. (162.6 cm) diagonal flat-panel TV. The shelf maximum recommended weight allowance is 50 lb (22.7 kg). Use with heavier televisions may result in instability causing tip over resulting in death or serious injury.

Death or serious injury may occur when children climb on audio and/or video equipment furniture. A remote control or toys placed on the furnishing may encourage a child to climb on the furnishing and as a result may tip over onto the child.

NEVER allow children to climb or play with the TV or furnishing supporting the TV.

NEVER place toys, food, remote, etc. on top of the TV or TV furnishing.

ALWAYS use either the safety hardware as instructed or other wall anchoring device.

Relocating audio and/or video equipment to furniture not specifically designed to support audio and/or video equipment may result in death or serious injury due to furniture collapse or over turning onto a child.

NEVER place a TV on furniture that is not intended to support a TV.

NEVER exceed the maximum size and weight of the TV shown in the instructions.

Be sure to refer to the TV warning label as shown in the instructions.

Overloading drawers and shelves may result in furniture that can break or sag, or tip-over which may result in injury.

NEVER exceed the weight limits shown in the instructions.

Place the heavier items on lower shelves as far back from the front as possible.

Load the bottom surfaces first to avoid top-heavy furniture.

Moving furniture that is not designed to be moved or equipped with casters may result in injury or damage to furnishings or personal property.

ALWAYS unload shelves and drawers, starting with the top surfaces, before moving.

NEVER push or pull furniture on carpet. Have a friend help lift properly to move and/or reposition it.

The unit is not meant as a seat and no one should be sitting or standing on the unit.