

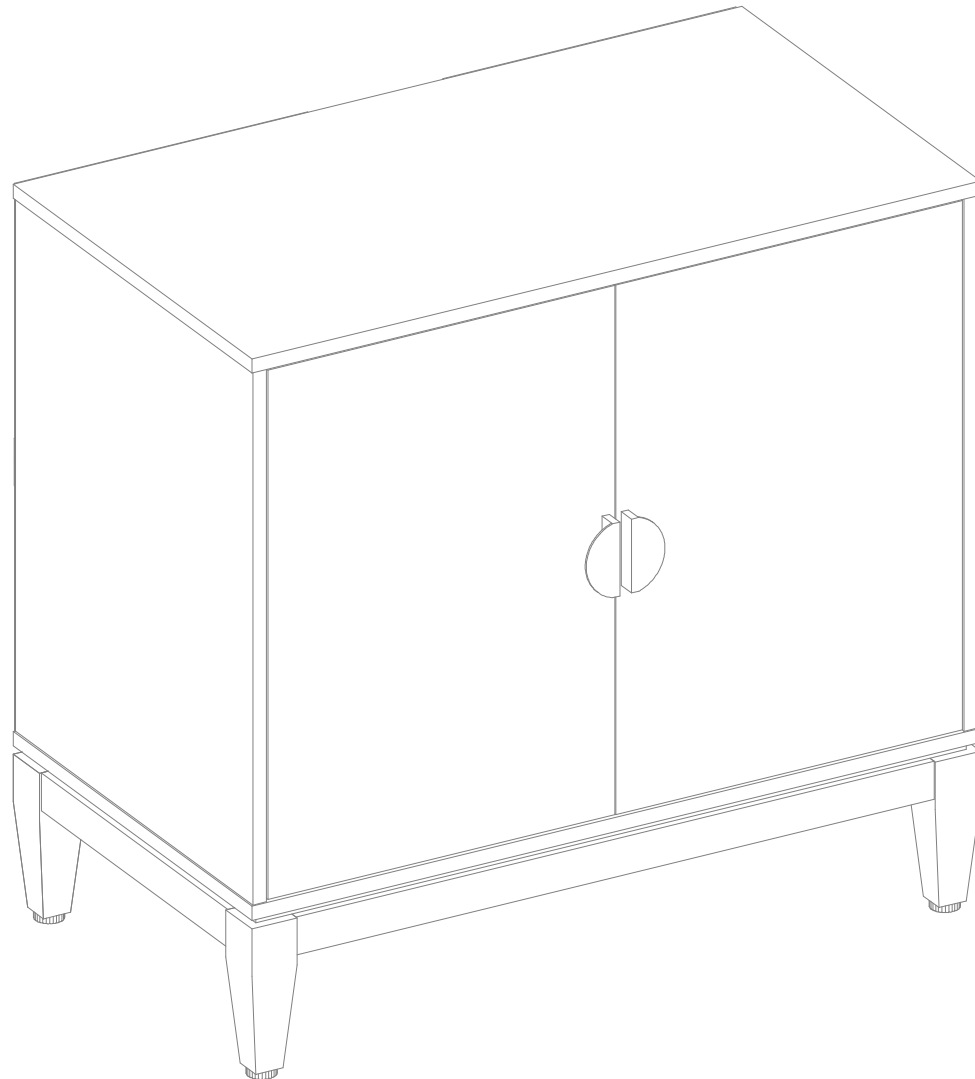


THRESHOLD™
— *designed with* —
STUDIO MCGEE

Marvale 2 Door Cabinet

Style # TGT32CB-2

DPC-item #: 249-17-0104



>> [Assembly instructions](#)



Congratulations on your latest Target purchase.


Now what? Don't start sweating over this box of parts. This will be easy. We did the hard work for you. All you need to do is follow our simple instructions and you'll be on your way to transforming your room in no time. Good luck – though we're confident you won't need it.

before you begin

1. Check for damaged or missing parts. Call 1-855-MYTGTHOME (855-698-4846) to order missing supplies.
2. Use the carton as a work surface to prevent product damage during assembly.
3. Gather all tools prior to assembly.

Scan for easy 3D instructions


Tap. Zoom. Rotate with official interactive instructions on the BILT app.



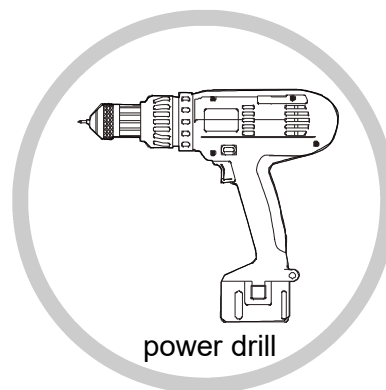
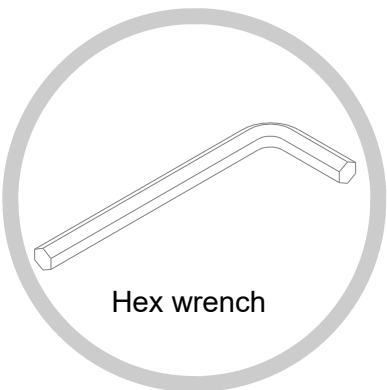
BILT[®]

Download on the App Store

GET IT ON Google Play



tools needed (only hex wrench included)



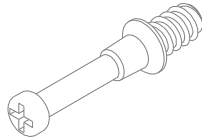
For tipping restraint hardware kit only.

hardware

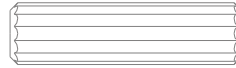
(H1) x 8
cam lock



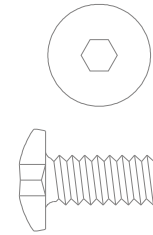
(H2) x 8
cam bolt



(H3) x 8
M8 x 30 mm
wood dowel



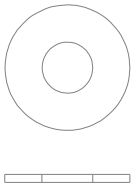
(H4) x 12
1/4" x 15 mm bolt



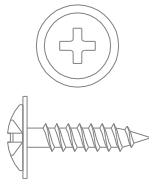
(H5) x 12
lock washer



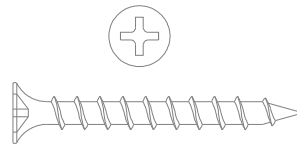
(H6) x 12
flat washer



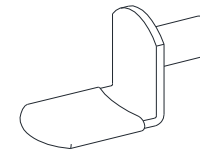
(H7) x 16
M3.5 x 15 mm
washer head screw



(H8) x 4
M4 x 38 mm screw



(H9) x 4
shelf support



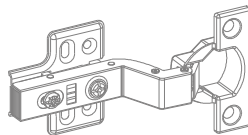
(H10) x 1
door stopper



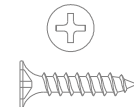
(H11) x 2
M3 x 10 mm screw



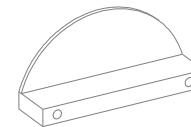
(H12) x 4
door hinge



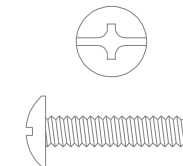
(H13) x 24
M4 x 15 mm screw
(Nickel)



(H14) x 2
Handle

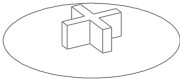


(H15) x 4
M4 x 18 mm handle bolt

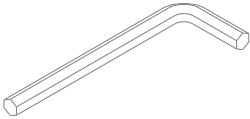


hardware

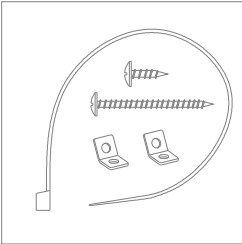
(H16) x 8
cam lock cover



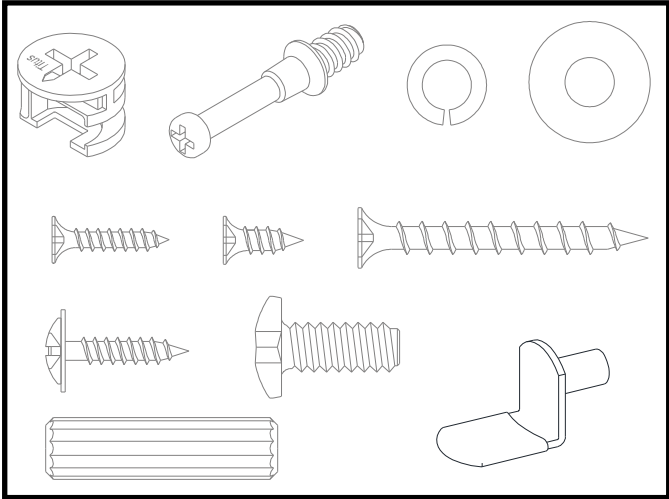
(H17) x 1
hex wrench



(H18) x 2
tipping restraint hardware kit
(inside plastic bag)

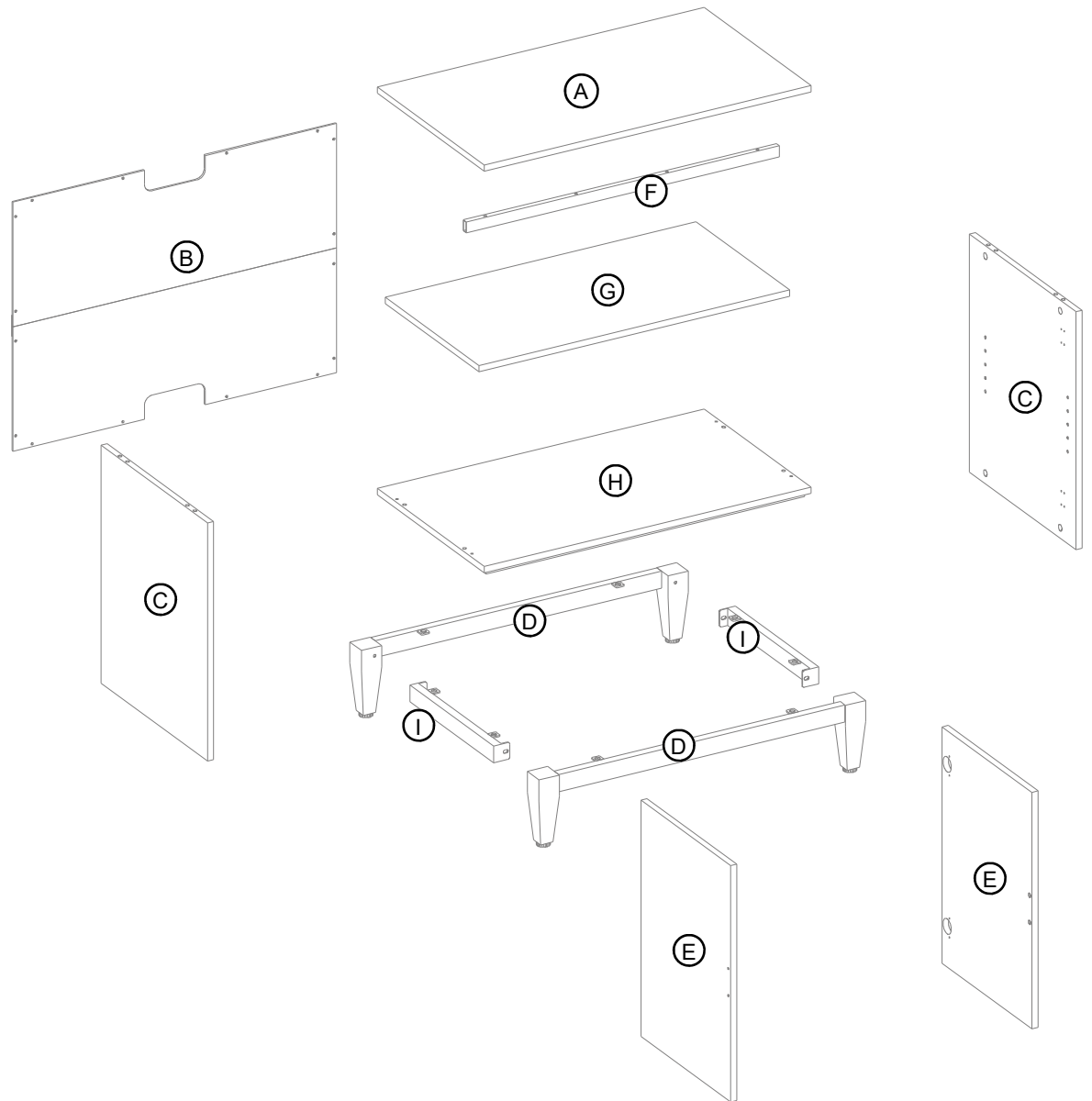


Spare hardware



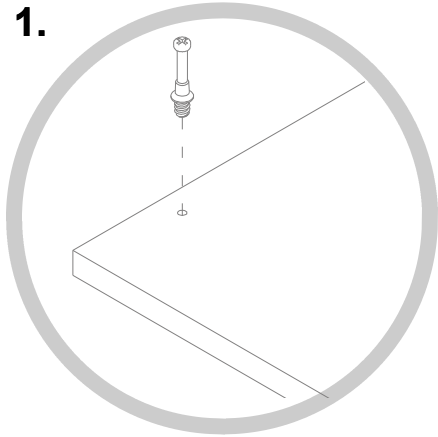
exploded diagram

ITEM	DESCRIPTION	QTY
A	Top panel	1
B	Back panel	1
C	Side panel	2
D	Leg assembly	2
E	Door	2
F	Top reinforcement	1
G	Adjustable shelf	1
H	Bottom panel	1
I	Bottom side stretcher	2



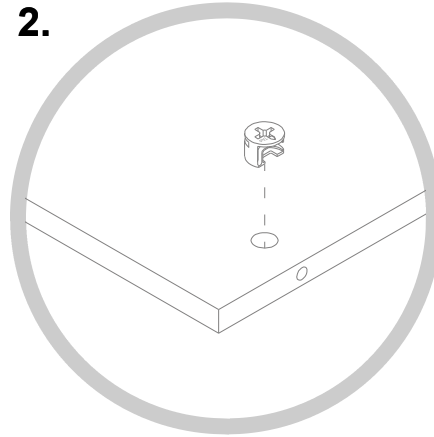
how to use the cam lock system

1.



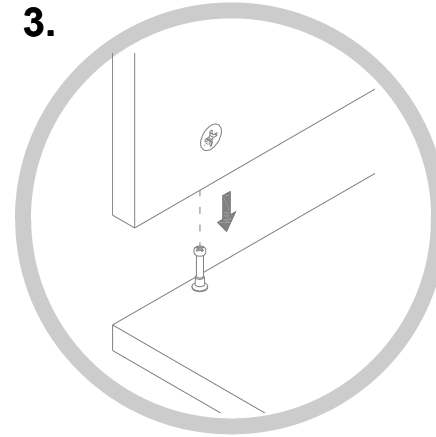
Screw cam bolt into panel

2.



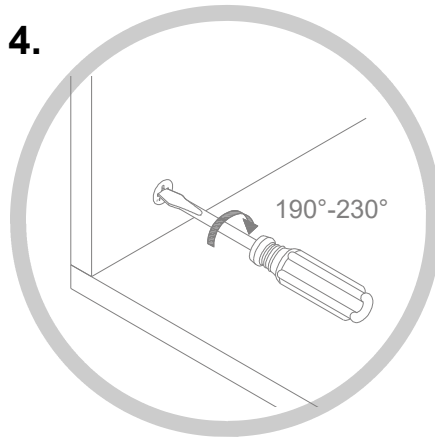
Push cam into panel - arrow feature on cam top points to panel edge

3.



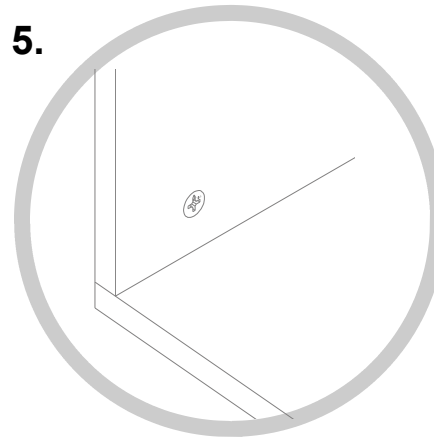
Align cam bolt(s) with cam(s) and insert all the way into cross-bored hole(s)

4.



Rotate cam(s) clockwise 190°-230° to lock panels together

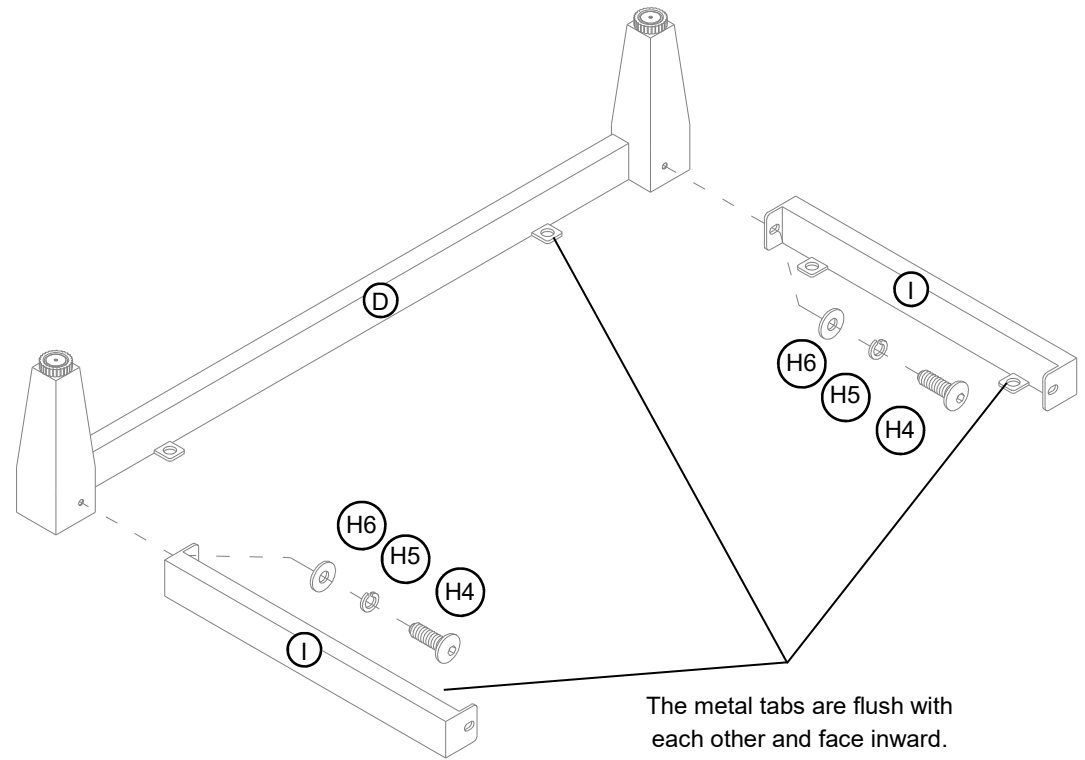
5.



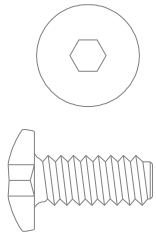
Panels should be tight against each other and connection should be rigid

step 1: attach both bottom side stretchers to one leg assembly

NOTE: DO NOT fully tighten all bolts until you finish assembling all parts. Once assembled, go back and fully tighten all bolts. This will make the assembly easier.



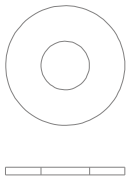
(H4) x 2
1/4" x 15 mm bolt



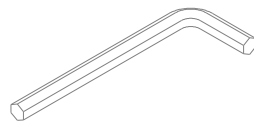
(H5) x 2
lock washer



(H6) x 2
flat washer



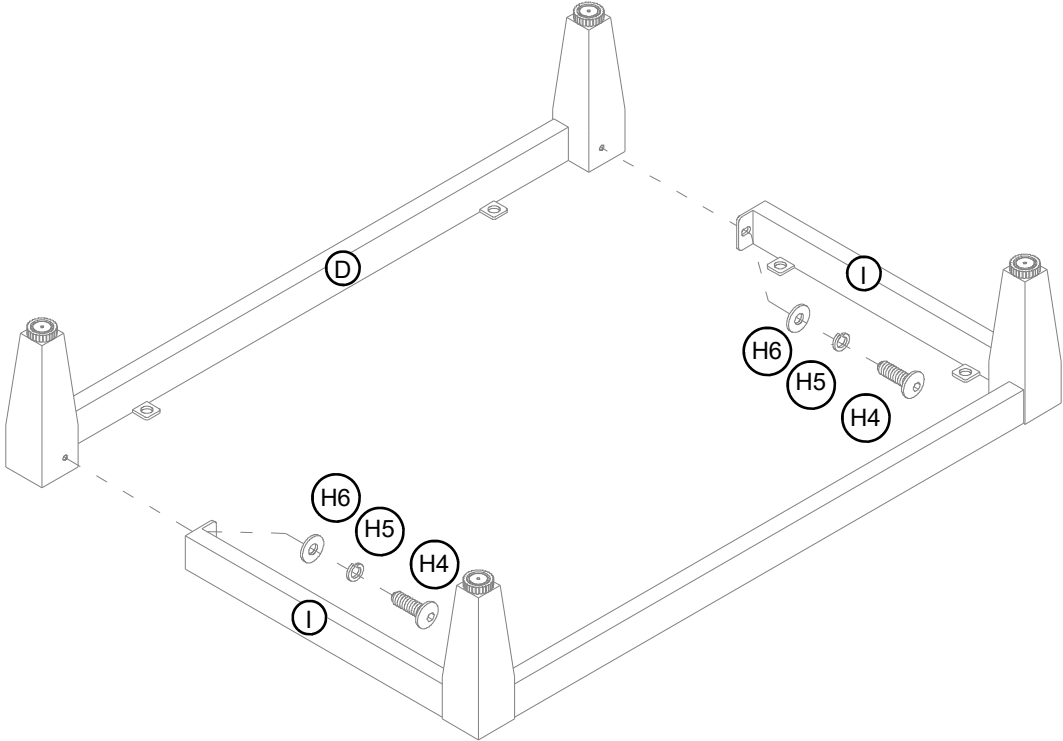
(H17) x 1
hex wrench



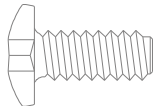
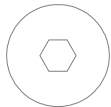
1.1. Orient and attach both bottom side stretchers (I) to one leg assembly (D) with two 15 mm bolts (H4), two lock washers (H5) and two flat washers (H6).

step 2: attach the other leg assembly to the previous assembly

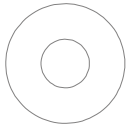
NOTE: DO NOT fully tighten all bolts until you finish assembling all parts. Once assembled, go back and fully tighten all bolts. This will make the assembly easier.



(H4) x 2
1/4" x 15 mm bolt



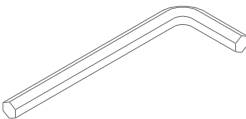
(H6) x 2
flat washer



(H5) x 2
lock washer



(H17) x 1
hex wrench



2.1. Repeat the same procedure to attached the other leg assembly (D) at the opposite end with two 15 mm bolts (H4) and two washers (H5 and H6).

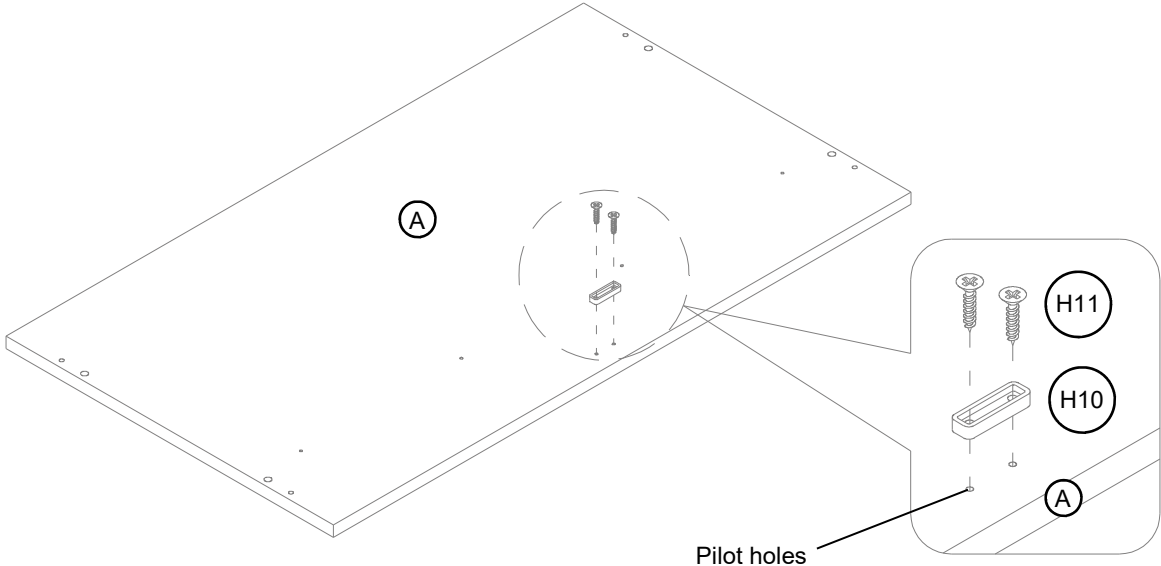
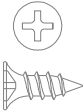
step 3: attach the door stopper to the top panel

NOTE: DO NOT use power tools.

(H10) x 1
door stopper



(H11) x 2
M3 x 10 mm screw

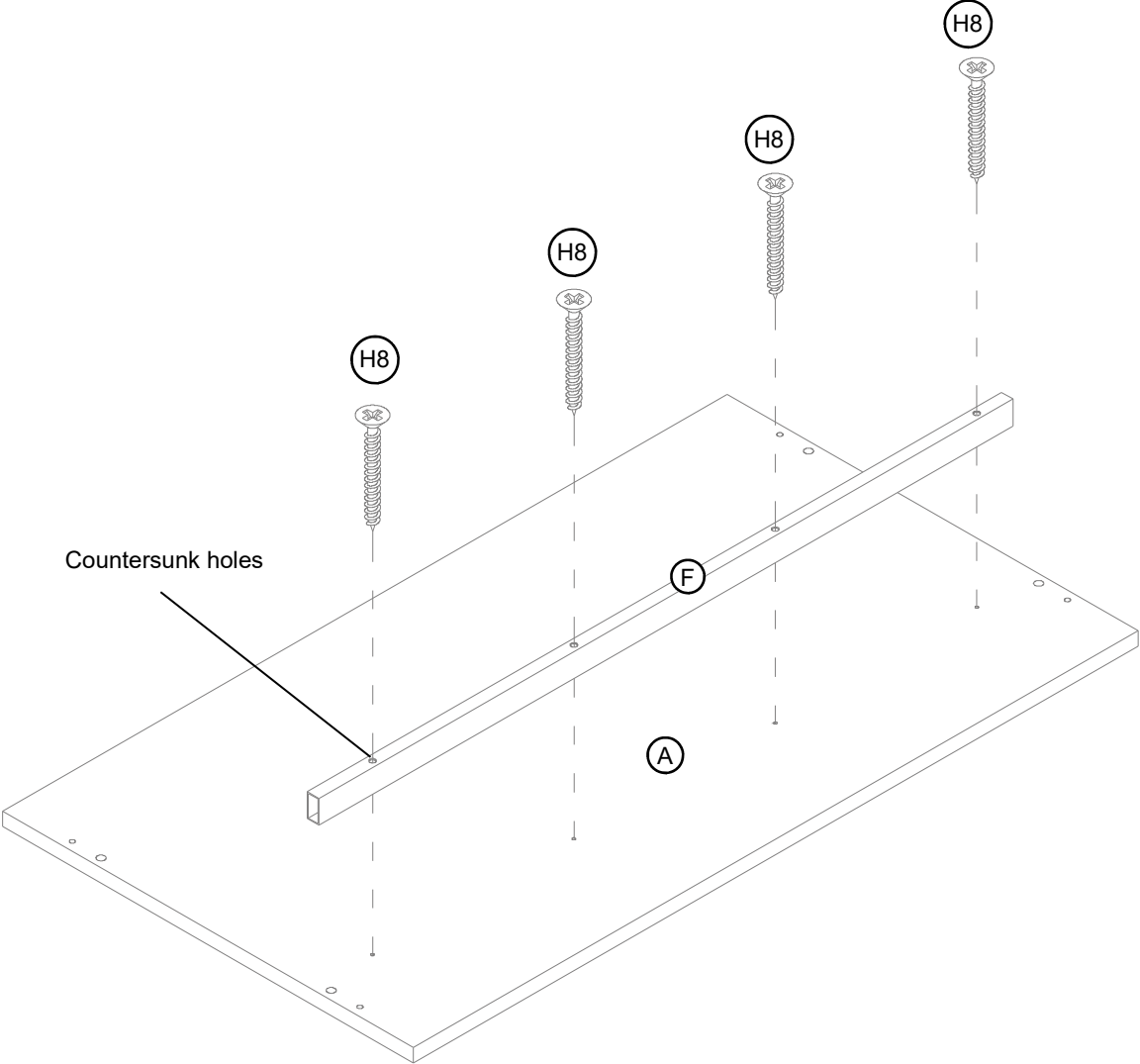
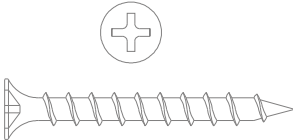


3.1. Using the pilot holes as a guide, attach the door stopper (H10) to the top panel (A) with two 10 mm screws (H11).

step 4: attach the top reinforcement

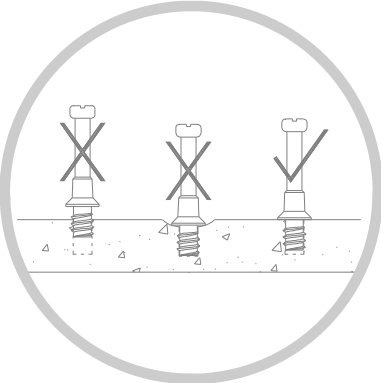
NOTE: DO NOT use power tools.

(H8) x 4
M4 x 38 mm screw

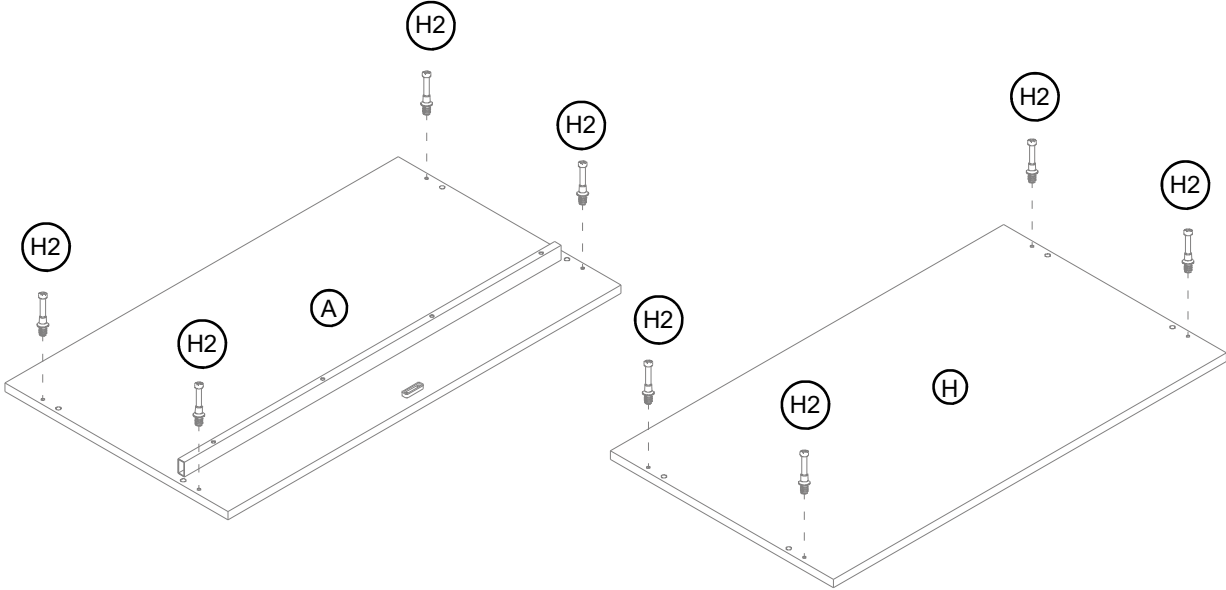
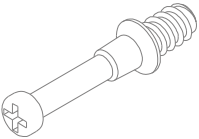


4.1. Using the pilot holes as a guide, fasten the top reinforcement (F) to the underside of the top panel (A) with four 38 mm screws (H8).

step 5: prepare the top and bottom assembly

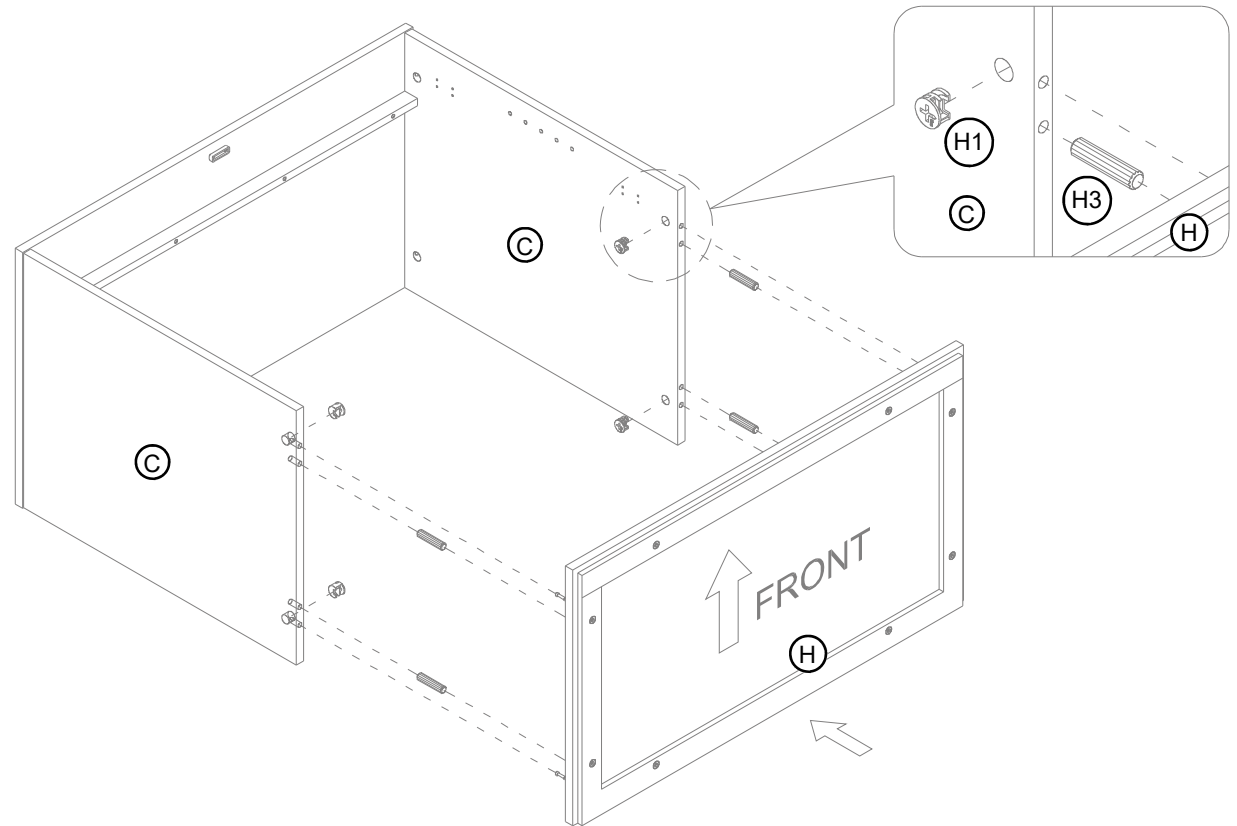
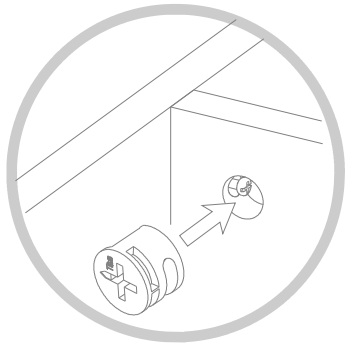


(H2) x 8
cam bolt



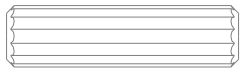
5.1. Securely screw the cam bolts (H2) into the designated small holes on the top and bottom panels (A and H).

step 7: attach the bottom panel to both side panels



(H1) x 4
cam lock

(H3) x 4
M8 x 30 mm wood dowel



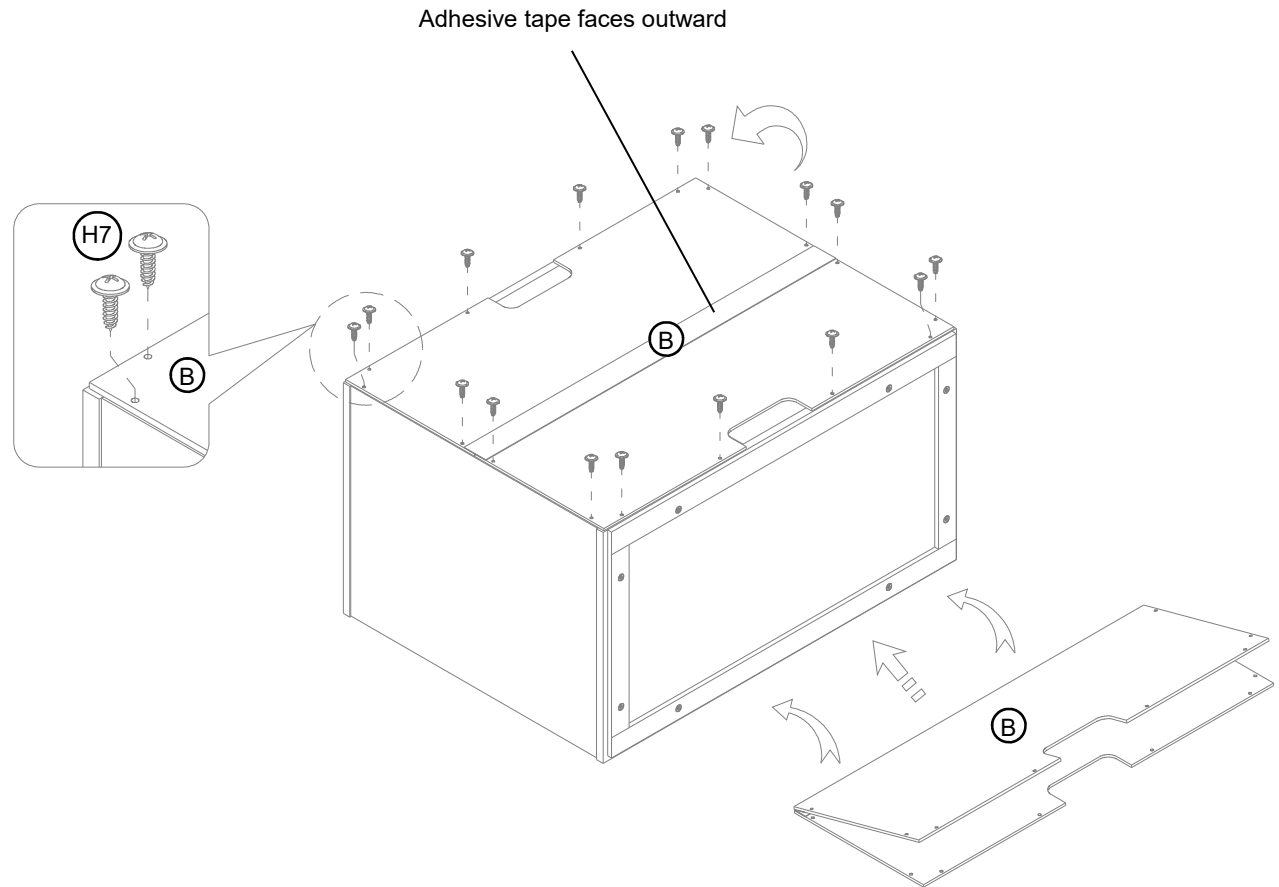
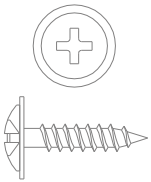
- 7.1. Insert four wood dowels (H3) into the bottom inner holes of the side panels (C).
- 7.2. Align and attach the bottom panel (H) to the side panels (C) by using four cam locks (H1).

step 8: fasten the back panel



CAUTION: Heavy! You may need assistance with this step.

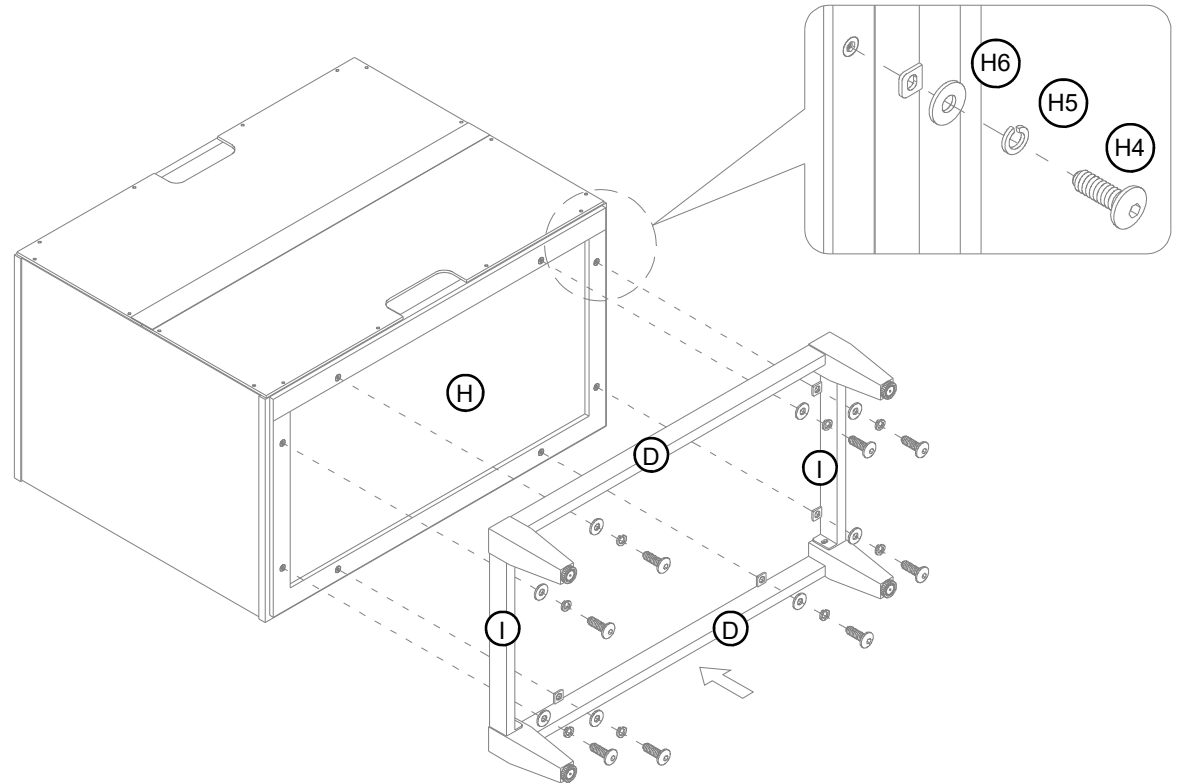
(H7) x 16
M3.5 x 15 mm
washer head screw



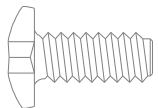
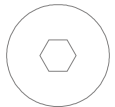
- 8.1. Now, go back and tighten all cam locks and screws. Make sure all the parts are tight and there are no gaps between the parts. This will help keep the unit square.
- 8.2. Ask for assistance to flip around the assembled unit at its front edges.
- 8.3. Unfold the back panel (B) and position it onto the back edges of the assembly. Make sure that the overlaps on the panels are even all the way around. Secure the back panel (B) in place with the washer head screws (H7).
NOTE: We recommend attaching back panel with the screws at the corners first.

step 9: attach base to the bottom panel

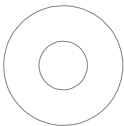
NOTE: DO NOT fully tighten all bolts until you finish assembling all parts. Once assembled, go back and fully tighten all bolts. This will make the assembly easier.



(H4) x 8
1/4" x 15 mm bolt



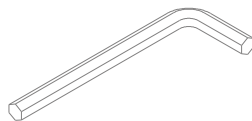
(H6) x 8
flat washer



(H5) x 8
lock washer



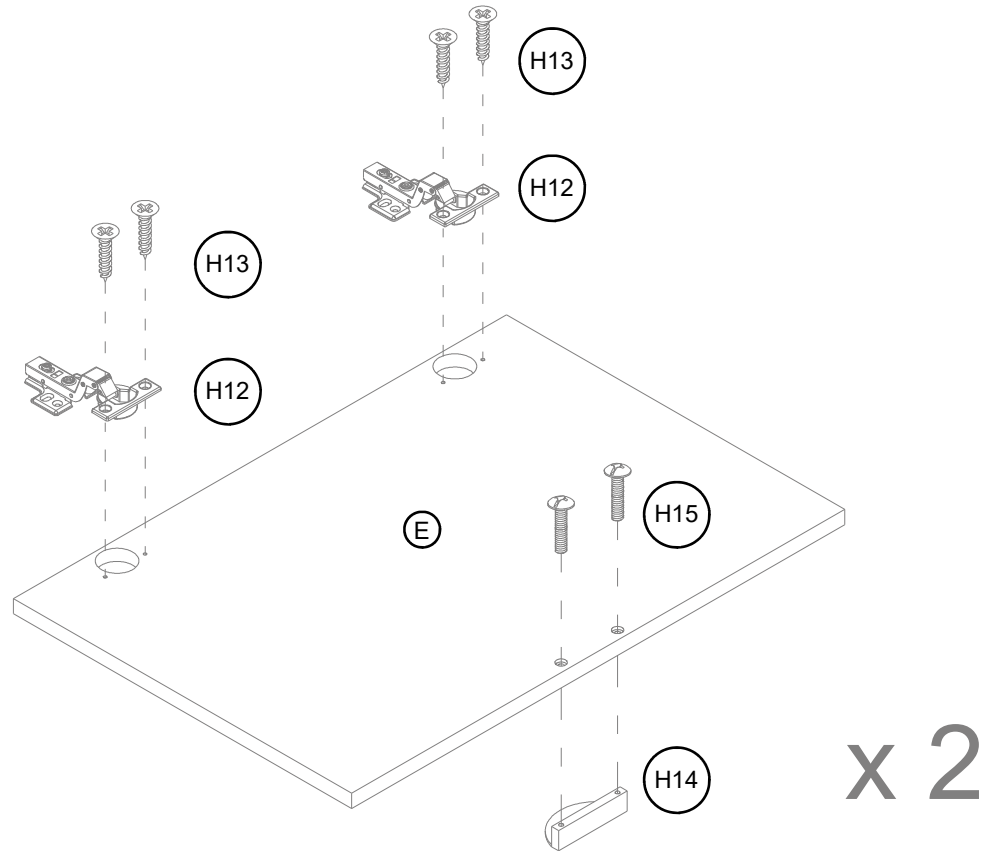
(H17) x 1
hex wrench



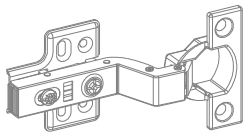
9.1. Align and attach the assembled base to the bottom panel (H) with eight 15 mm bolts (H4) and eight washers (H5 and H6).

step 10: install the door hinges and handles

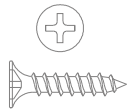
NOTE: DO NOT use power tools.



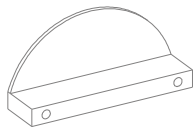
(H12) x 4
door hinge



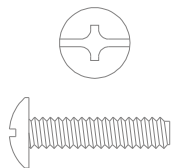
(H13) x 8
M4 x 15 mm screw
(Nickel)



(H14) x 2
Handle



(H15) x 4
M4 x 18 mm handle bolt



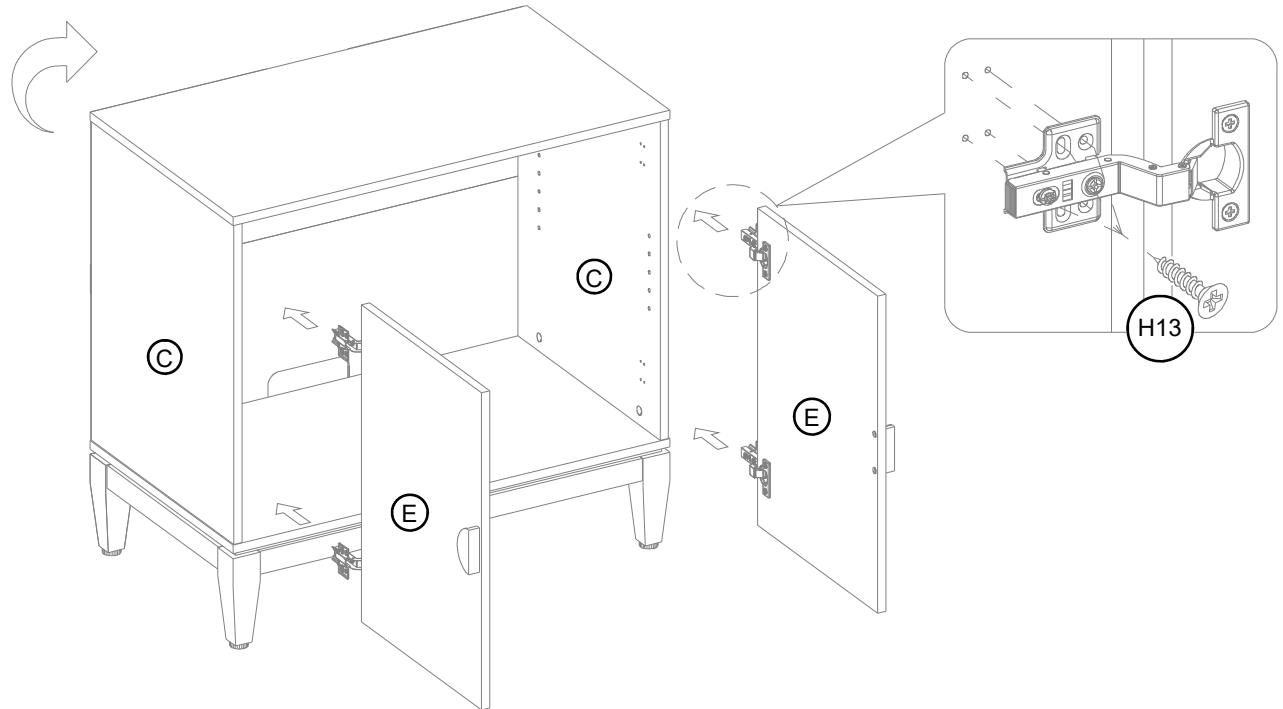
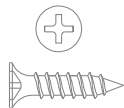
- 10.1. Extend two door hinges (H12) and rest the hinge cups onto the cutouts of one door (E), secure the door hinges (H12) in place by using two nickel screws (H13) in each.
- 10.2. Attach one handle (H14) to the front side of one door (E) with two handle bolts (H15).
- 10.3. Complete these steps two times for the other door (E).

step 11: attach the door panels



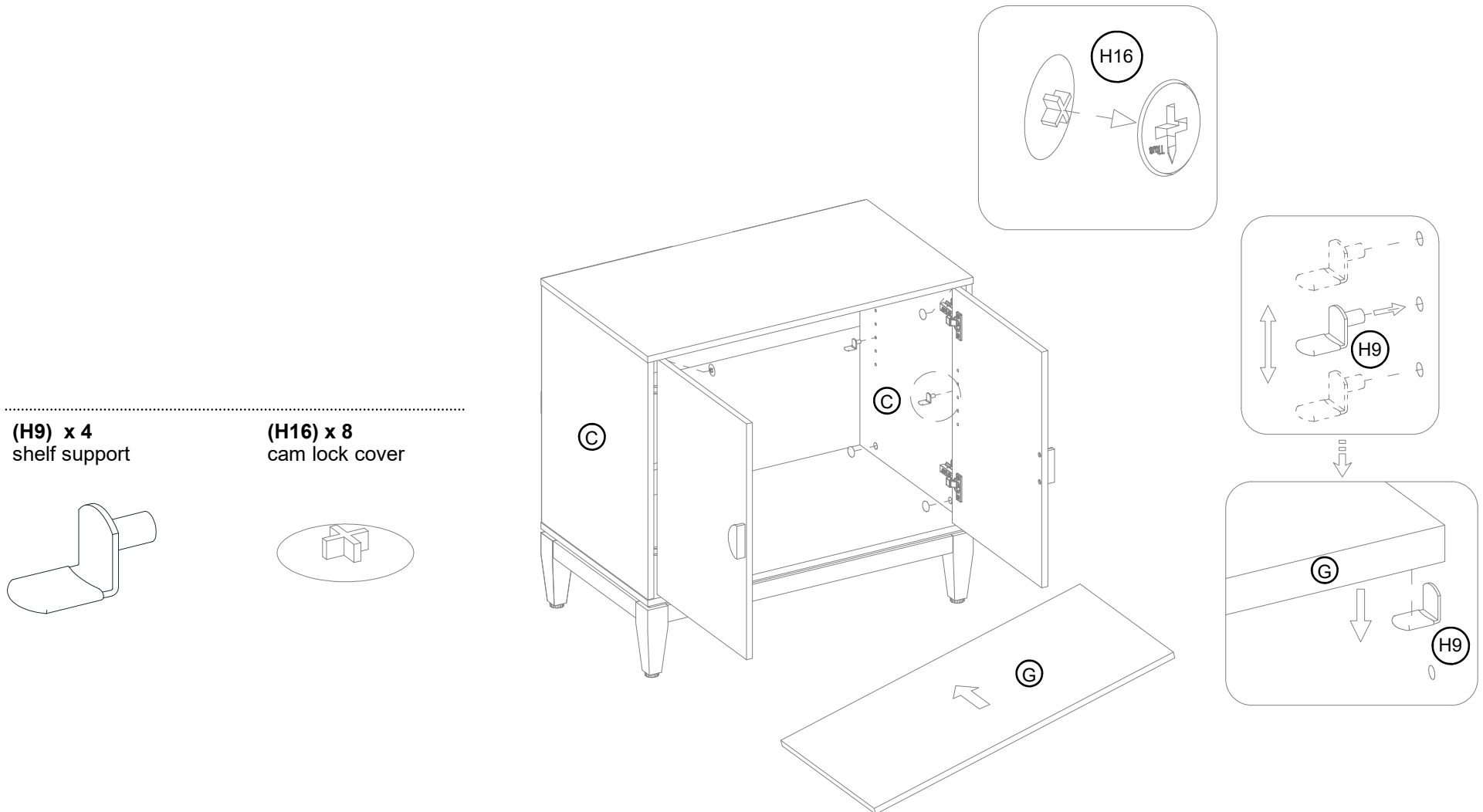
CAUTION: Heavy! You may need assistance with this step.

(H13) x 16
M4 x 15 mm screw
(Nickel)



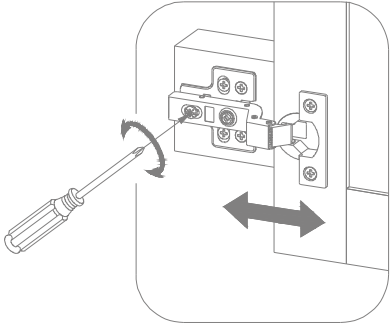
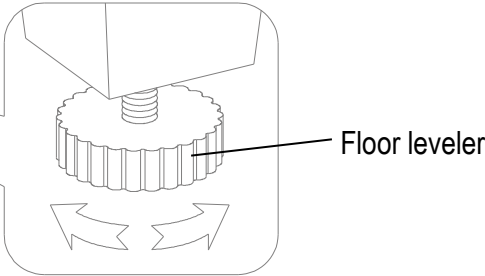
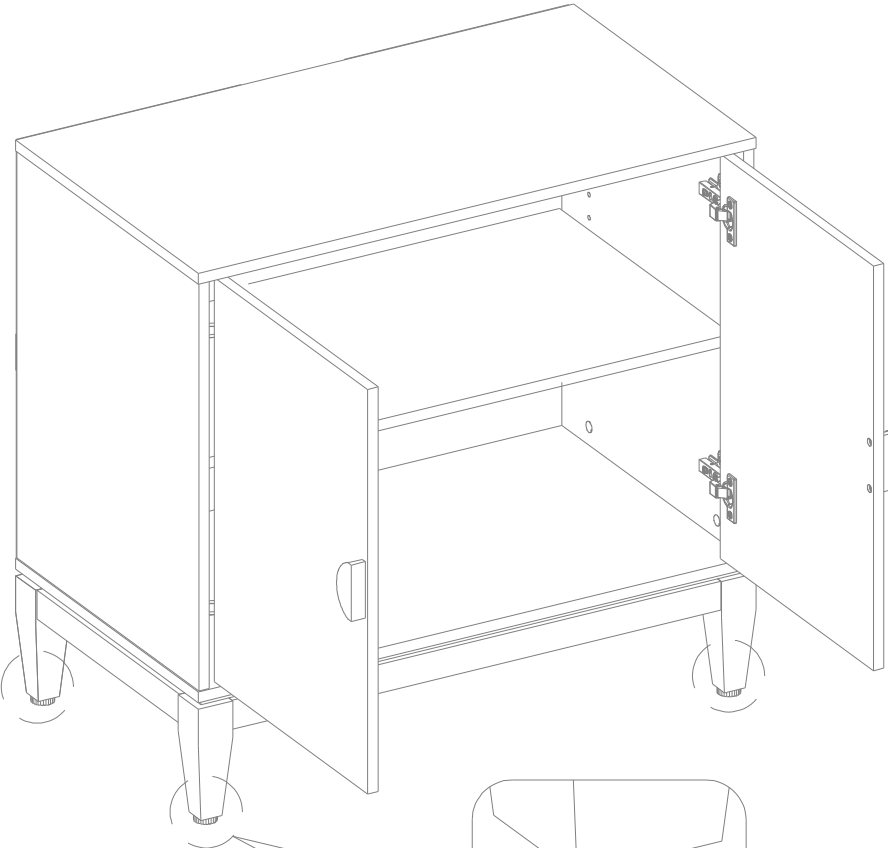
- 11.1. Ask for assistance to lift the assembled unit upright and position it near the final location.
- 11.2. Pick up the doors (E) and fasten the hinge bases onto the side panels (C) with eight nickel screws (H13) per door, using the pilot holes as a guide.
- 11.3. Open and close the doors to make sure they are aligned and shut correctly. If necessary, adjust the screws for a good fit. Refer to the hinge sticker on door for adjustment.

step 12: attach the adjustable shelf and put cam lock covers

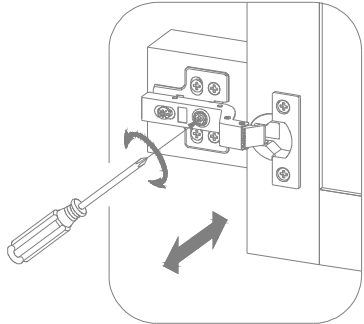


- 12.1. Open the doors and insert four shelf supports (H9) in the holes at the desired height inside the compartment. Make sure you place the four shelf supports at the same level to make the shelf level. Tilt and rest the adjustable shelf (G) onto the shelf supports.
- 12.2. Plug the cam lock covers (H16) onto the visible cam locks to conceal the cams.

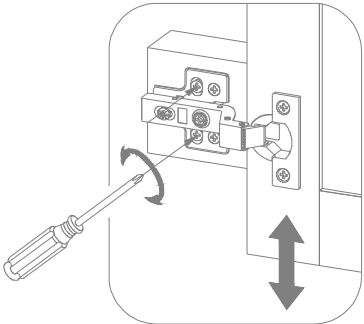
step 13: adjust the doors



Depth adjustment



Horizontal adjustment



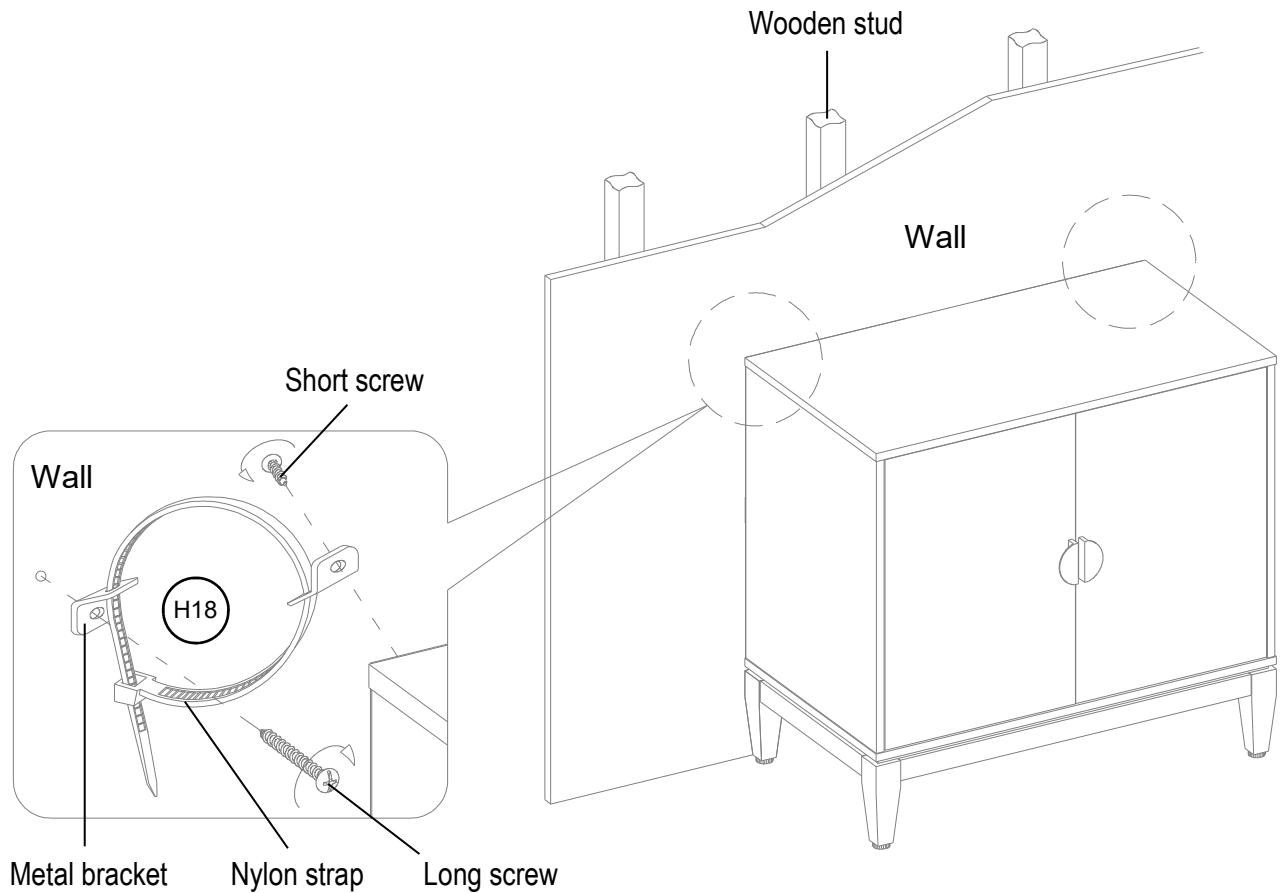
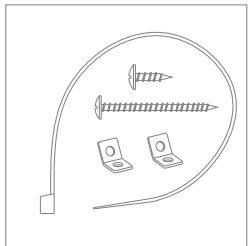
Vertical adjustment

13.1. Raise or lower the floor levelers by hand to correct tilting and / or level doors.

step 14: install the tipping restraint hardware kit



(H18) x 2
tipping restraint hardware kit



Tools required: Phillips screwdriver, stud finder, tape measure, pencil, power drill and 1/8" drill bit (not provided).

14.1. Follow the instructions printed on plastic bag containing tipping restraint hardware to attach tip-over restraint between the unit and wall.

NOTE: You can share the back panel screw hole for the anti-tipping hardware. You must use this tipping restraint to attach this unit to the wall, to prevent accidents and/or injuries.


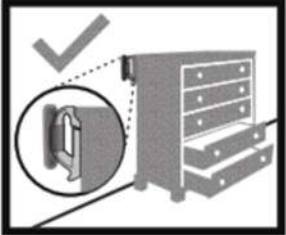


FURNITURE TIPPING RESTRAINT

YOUNG CHILDREN MAY BE INJURED BY TIPPING FURNITURE AND YOU MUST USE THIS TIPPING RESTRAINT TO ATTACH THIS UNIT TO THE WALL, TO PREVENT ACCIDENTS AND/OR INJURIES.

THIS HARDWARE, MUST BE PROPERLY INSTALLED (FOLLOW ALL DIRECTIONS IN ORDER ON THIS INSTRUCTIONS), TO PROVIDE PROTECTION AGAINST THE UNEXPECTED TIPPING OF FURNITURE DUE TO IMPROPER USE.

THIS PRODUCT IS ONLY A DETERRENT. IT IS NOT A SUBSTITUTE FOR PROPER ADULT SUPERVISION. USE OF TIP-OVER RESTRAINTS MAY ONLY REDUCE, BUT NOT ELIMINATE, THE RISK OF TIP-OVER.

⚠ WARNING



Children have died from furniture tip over. To reduce the risk of tip over:

- ALWAYS secure this furniture to the wall using an anti-tip device.
- NEVER allow children to stand, climb or hang on drawers, doors, or shelves.
- Do not defeat or remove the drawer interlock system.
- Place heaviest items in the lowest drawers.
- NEVER put a TV on this furniture.

Care and Maintenance

- Use a soft, clean cloth that will not scratch the surface when dusting.
- Use of furniture polish is not necessary. Should you choose to use polish, test first in an inconspicuous area.
- Using solvents of any kind on your furniture may damage the finish.
- Never use water to clean your furniture as it may cause damage to the finish.
- Always use coasters under beverage glasses and flowerpots.
- Liquid spills should be removed immediately. Using a soft, clean cloth, blot the spill gently. Avoid rubbing.
- Always use protective pads under hot dishes and plates. Heat can cause chemical changes that may create spotting within the furniture finish.
- Stains or marks from crayons or ink markers will be difficult to remove.
- In the event that your furniture is stained or otherwise damaged during use, we recommend that you call a professional to repair your furniture.
- Check bolts/screws and nuts periodically and tighten them if necessary.

Further Advice about Wood Furniture Care

It is best to keep your furniture in a climate-controlled environment. Extreme temperature and humidity changes can cause fading, warping, shrinking and splitting of wood. It is advised to keep furniture away from direct sunlight as sun may damage the finish.

Proper care and cleaning at home will extend the life of your purchase. Following these important and helpful tips will enhance your furniture as it ages.

We hope you enjoy your purchase for many years.
Thank you for your purchase!

QUALITY GUARANTEE

We are confident that you will be delighted with your Whalen Furniture purchase.

Should this product be defective in workmanship or materials or fail under normal use, we will repair or replace it for up to one (1) year from date of purchase. Every Whalen Furniture product is designed to meet your highest expectations. We guarantee that you will immediately see the value of our fine furniture.

This warranty gives you specific legal rights and you may also have other rights which vary from state to state or province to province.

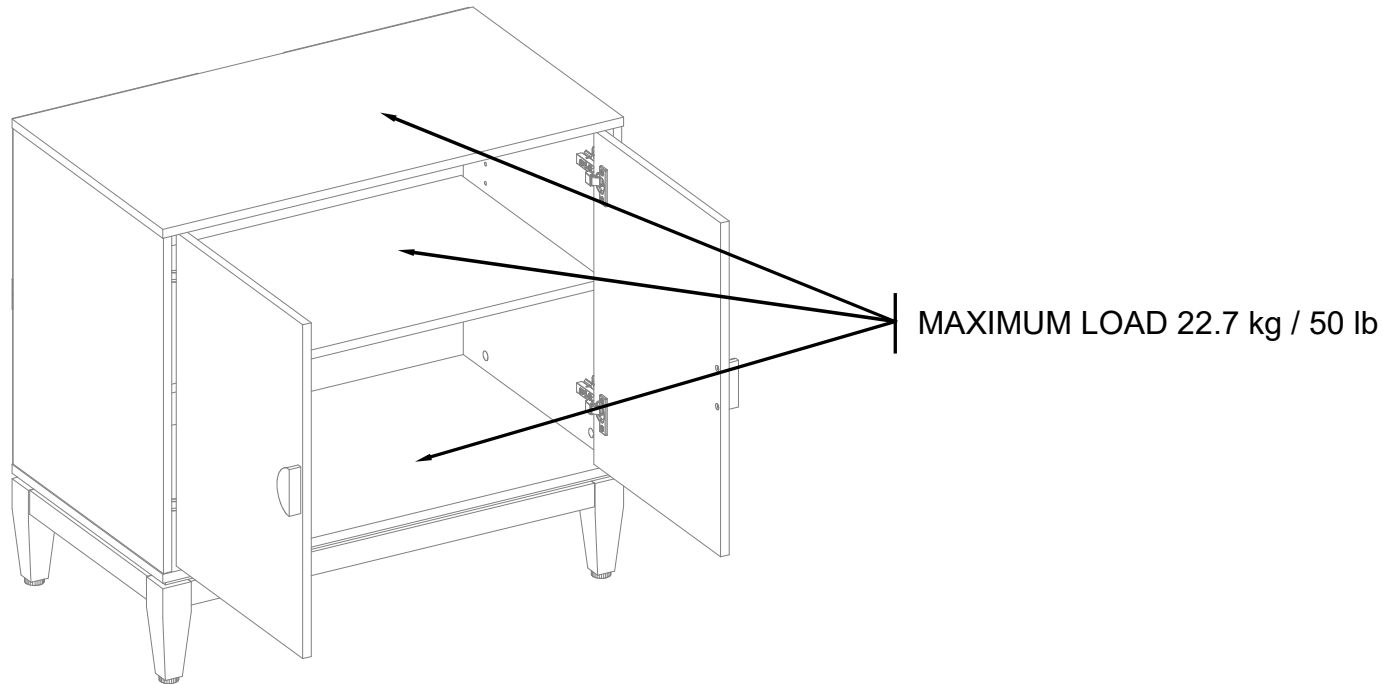
Customer Service: 1-855-MYTGTHOME (855-698-4846)
8:30 a.m. - 4:30 p.m., PST, Monday to Friday
www.whalenfurniture.com

MAXIMUM RECOMMENDED WEIGHT LOADS

MANUFACTURER: Whalen Furniture Manufacturing

CATALOG: Marvale 2 Door Cabinet

MODEL # TGT32CB-2



THIS UNIT IS INTENDED ONLY FOR USE WITHIN THE MAXIMUM WEIGHTS INDICATED. USE WITH LOADS HEAVIER THAN THE MAXIMUM WEIGHTS INDICATED MAY RESULT IN INSTABILITY, CAUSING POSSIBLE INJURY.

The maximum recommended weight allowance is 22.7 kg / 50 lb for top surface, shelf and bottom panel.

 **WARNING**

Please use your furniture correctly and safely. Improper use can cause safety hazards, or damage to your furniture or household items. Carefully read the following safety information.

Death or serious injury may occur when children climb on audio and/or video equipment furniture. A remote control or toys placed on the furnishing may encourage a child to climb on the furnishing and as a result may tip over onto the child.

NEVER allow children to climb or play with the TV or furnishing supporting the TV.

NEVER place toys, food, remote, etc. on top of the TV or TV furnishing.

ALWAYS use either the safety hardware as instructed or other wall anchoring device.

Relocating audio and/or video equipment to furniture not specifically designed to support audio and/or video equipment may result in death or serious injury due to furniture collapse or over turning onto a child.

NEVER place a TV on furniture that is not intended to support a TV.

NEVER exceed the maximum size and weight of the TV shown in the instructions.

Be sure to refer to the TV warning label as shown in the instructions.

Overloading drawers and shelves may result in furniture that can break or sag, or tip-over which may result in injury.

NEVER exceed the weight limits shown in the instructions.

Place the heavier items on lower shelves as far back from the front as possible.

Load the bottom surfaces first to avoid top-heavy furniture.

Moving furniture that is not designed to be moved or equipped with casters may result in injury or damage to furnishings or personal property.

ALWAYS unload shelves and drawers, starting with the top surfaces, before moving.

NEVER push or pull furniture on carpet. Have a friend help lift properly to move and/or reposition it.

The unit is not meant as a seat and no one should be sitting or standing on the top panel.