



THRESHOLD™

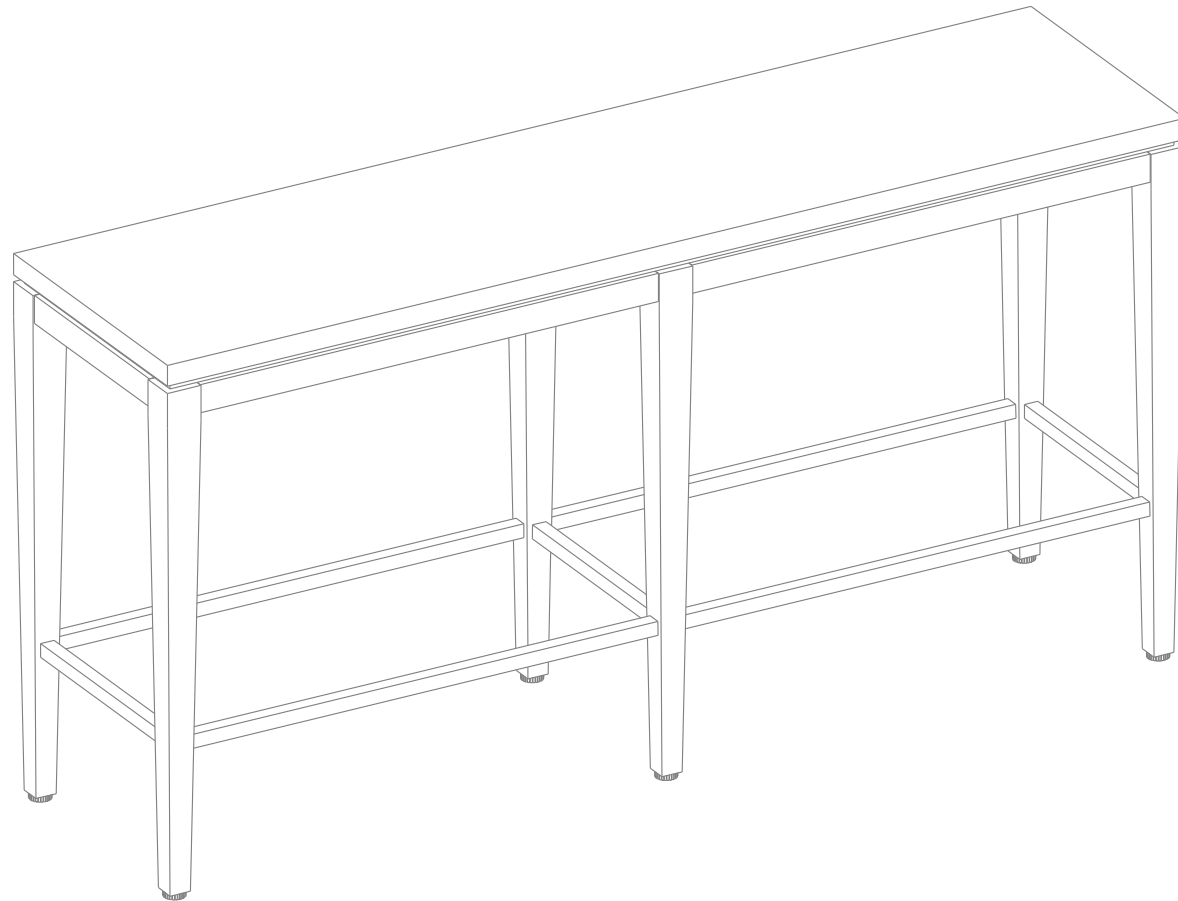
— *designed with* —

STUDIO MCGEE

## Marvale Console Table

Style # TGT60CTB

DPC-item #: 249-17-1316



>> [Assembly instructions](#)



Congratulations on your latest Target purchase.


Now what? Don't start sweating over this box of parts. This will be easy. We did the hard work for you. All you need to do is follow our simple instructions and you'll be on your way to transforming your room in no time. Good luck – though we're confident you won't need it.

## before you begin

1. Check for damaged or missing parts. Call 1-855-MYTGTHOME (855-698-4846) to order missing supplies.
2. Use the carton as a work surface to prevent product damage during assembly.
3. Gather all tools prior to assembly.

**Scan for easy 3D instructions**

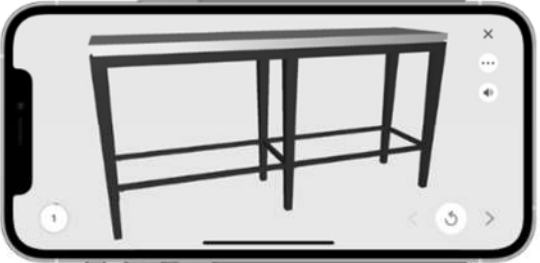
**Tap. Zoom. Rotate** with official interactive instructions on the BILT app.



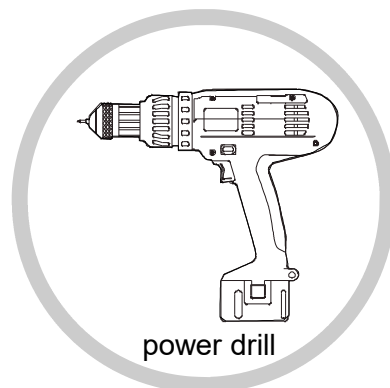
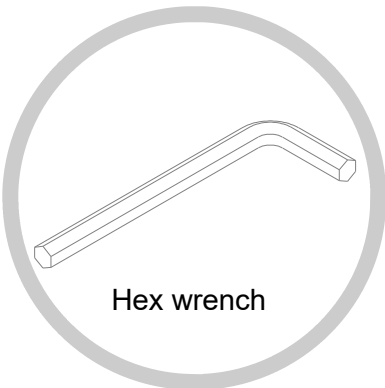
**BILT**®

Download on the App Store

GET IT ON Google Play



## tools needed (only hex wrench included)

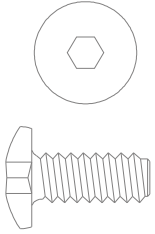


For tipping restraint hardware kit only.

# hardware

---

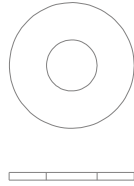
**(H1) x 28**  
1/4" x 15 mm bolt



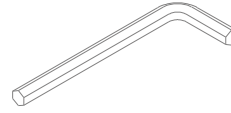
**(H2) x 28**  
lock washer



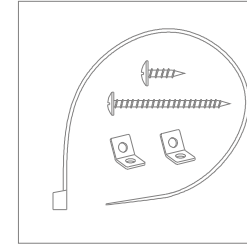
**(H3) x 28**  
flat washer



**(H4) x 1**  
hex wrench

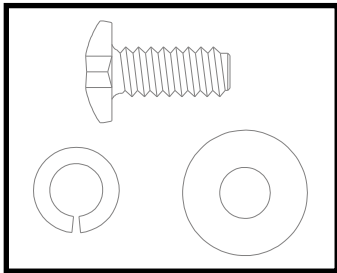


**(H5) x 2**  
tipping restraint hardware kit  
(inside plastic bag)



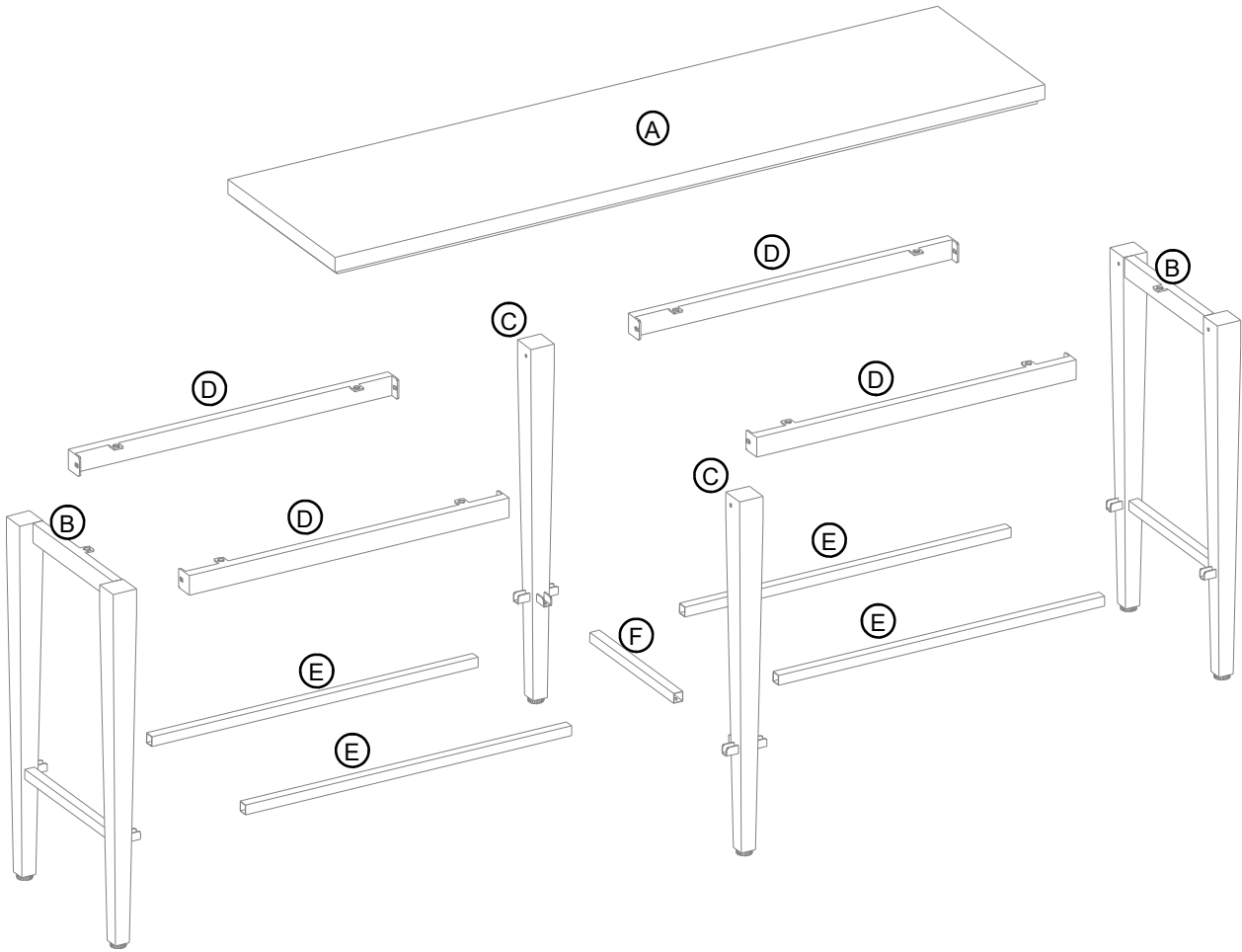
---

## Spare hardware



**exploded diagram**

ITEM	DESCRIPTION	QTY
A	Top panel	1
B	Side frame	2
C	Middle leg	2
D	Top stretcher	4
E	Bottom stretcher	4
F	Middle stretcher	1

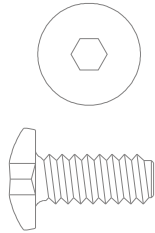


# step 1: attach top stretchers to middle legs

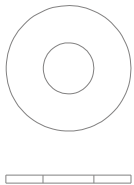
---

**NOTE:** DO NOT fully tighten all bolts until you finish assembling all parts. Once assembled, go back and fully tighten all bolts. This will make the assembly easier.

(H1) x 4  
1/4" x 15 mm bolt



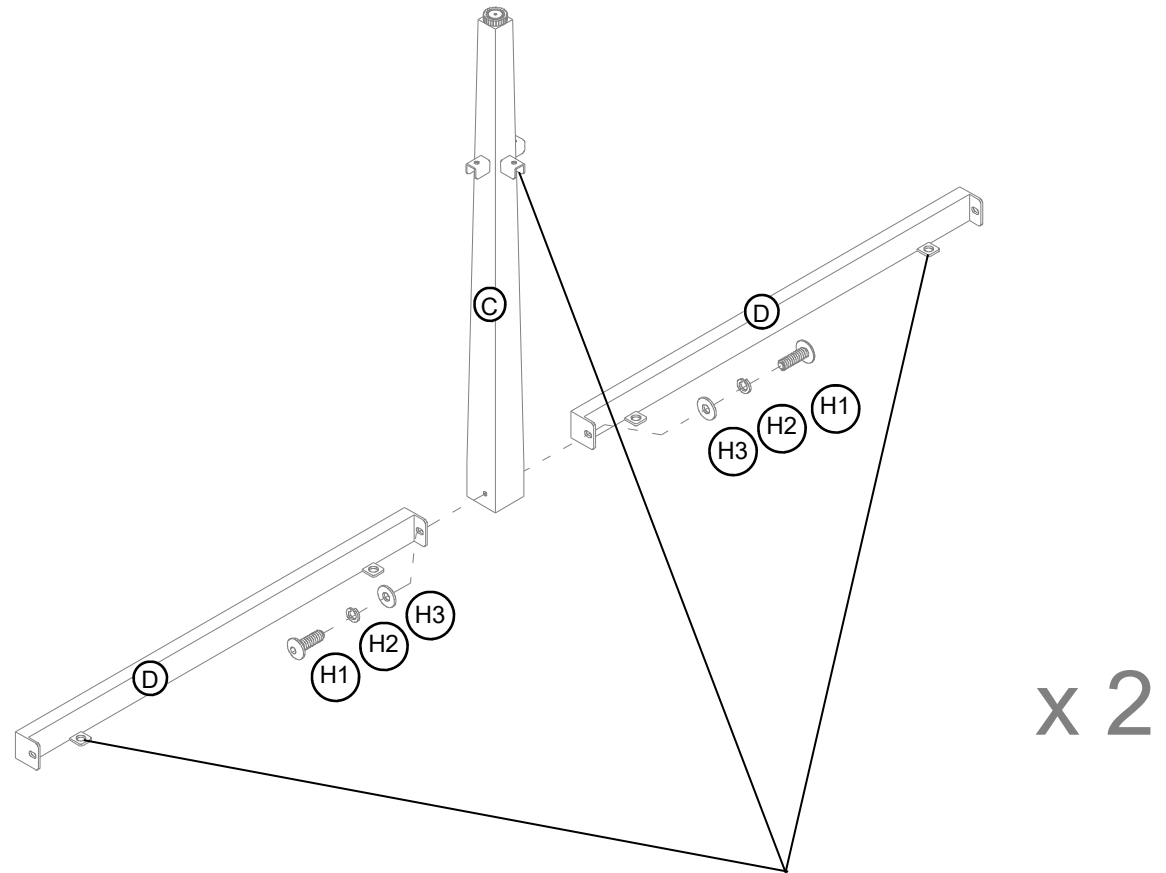
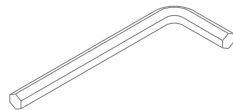
(H3) x 4  
flat washer



(H2) x 4  
lock washer



(H4) x 1  
hex wrench



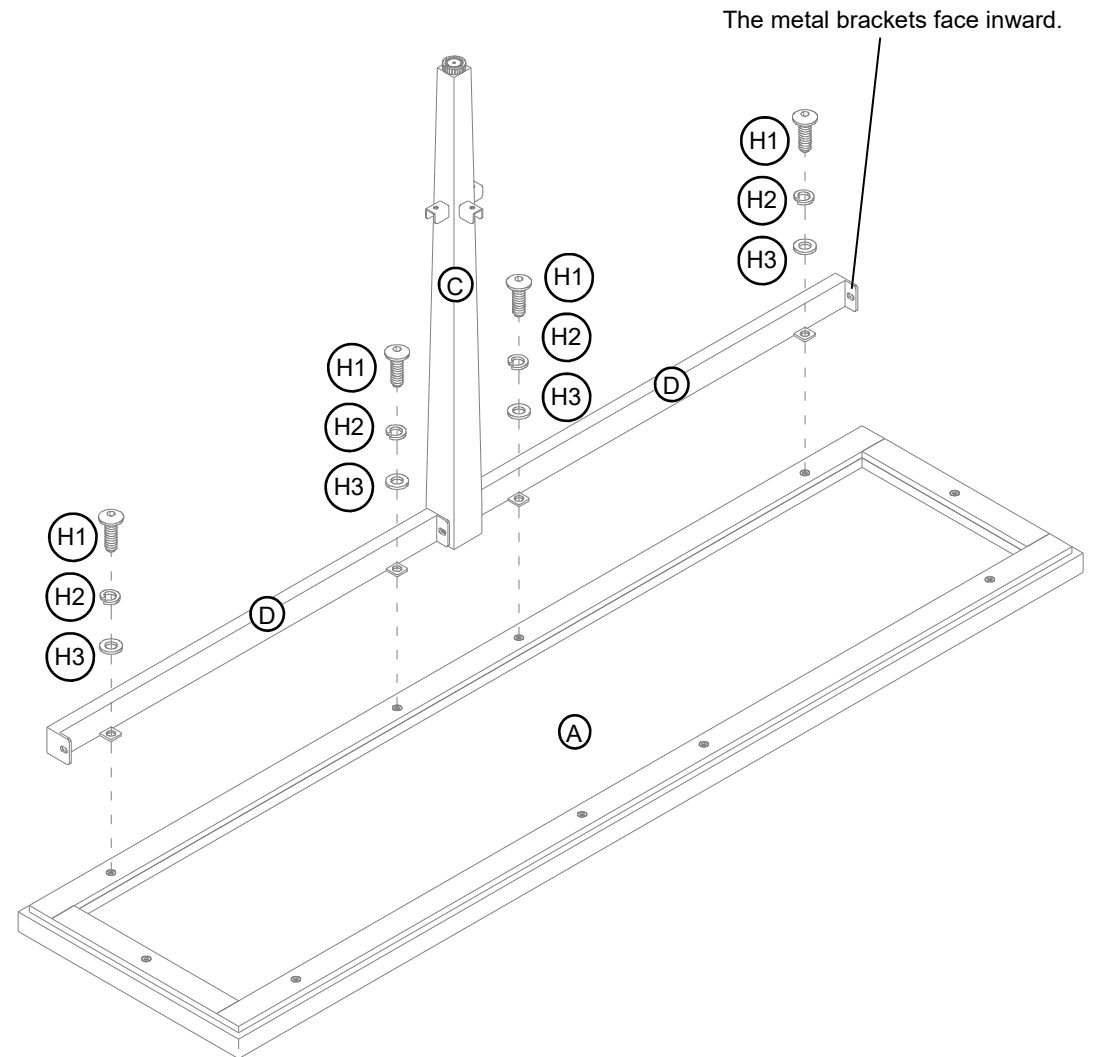
The metal tabs face in the same direction as the middle U-shaped bracket and flush with the top of middle leg.

- 1.1. Orient and attach two top stretchers (D) to one middle leg (C) with two 15 mm bolts (H1), two lock washers (H2) and two flat washers (H3) as shown.
- 1.2. Repeat the same process to attach the other middle leg (C).

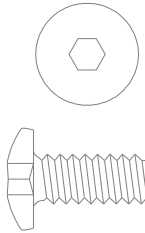
## step 2: attach the assembled top stretchers to top panel

---

**NOTE:** DO NOT fully tighten all bolts until you finish assembling all parts. Once assembled, go back and fully tighten all bolts. This will make the assembly easier.



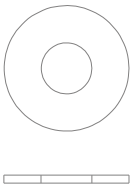
(H1) x 4  
1/4" x 15 mm bolt



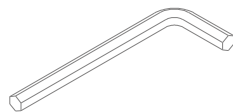
(H2) x 4  
lock washer



(H3) x 4  
flat washer



(H4) x 1  
hex wrench



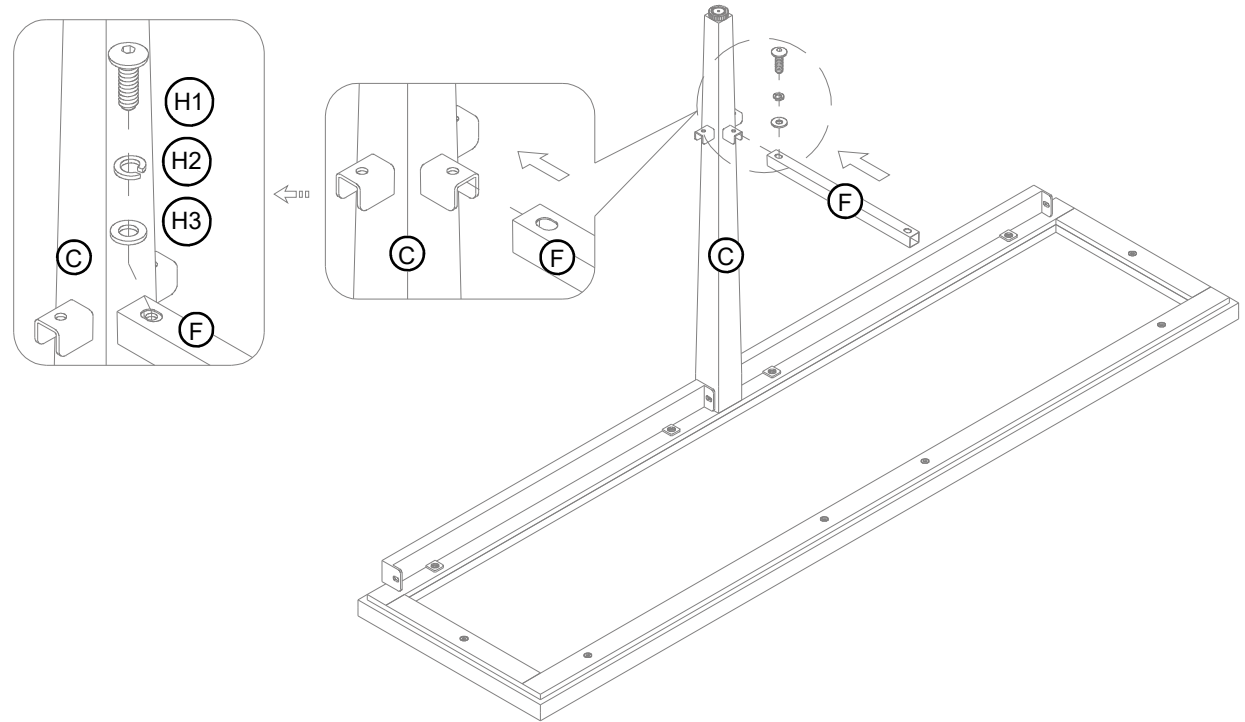
2.1. Lay the top panel (A) upside down on a level and protected surface.

2.2. Align and attach one assembled middle leg with top stretchers (D) to the top panel (A) with four 15 mm bolts (H1) and four washers (H2 and H3).

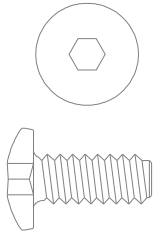
## step 3: attach middle stretcher to the middle leg

---

**NOTE:** DO NOT fully tighten all bolts until you finish assembling all parts. Once assembled, go back and fully tighten all bolts. This will make the assembly easier.



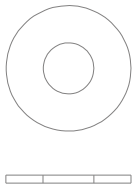
(H1) x 1  
1/4" x 15 mm bolt



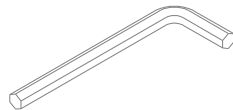
(H2) x 1  
lock washer



(H3) x 1  
flat washer



(H4) x 1  
hex wrench

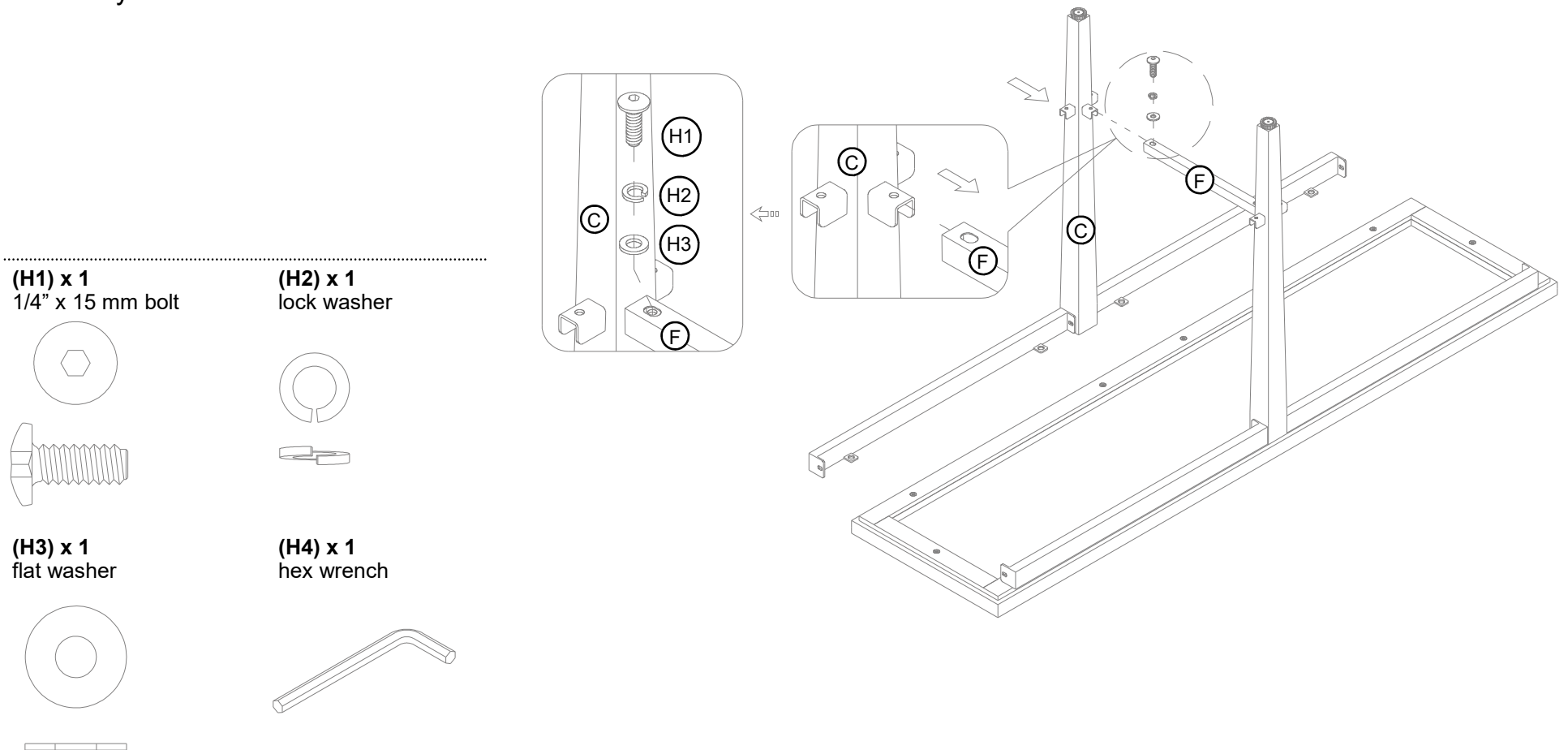


3.1. Orient and fit the middle stretcher (F) onto the U-shaped bracket on the assembled middle leg (C) and secure it into place with one 15 mm bolt (H1), one lock washer (H2) and one flat washer (H3).

## step 4: attach the other middle leg to the middle stretcher

---

**NOTE:** DO NOT fully tighten all bolts until you finish assembling all parts. Once assembled, go back and fully tighten all bolts. This will make the assembly easier.



4.1. Repeat the same process to attach the other assembled middle leg (C) to the other end of the middle stretcher (F). Make sure that the metal tabs overlap the threaded inserts on top panel (A) properly.

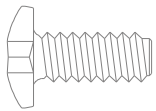
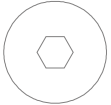


## step 5: secure the top stretchers to the top panel

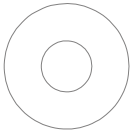
---

**NOTE:** DO NOT fully tighten all bolts until you finish assembling all parts. Once assembled, go back and fully tighten all bolts. This will make the assembly easier.

(H1) x 4  
1/4" x 15 mm bolt



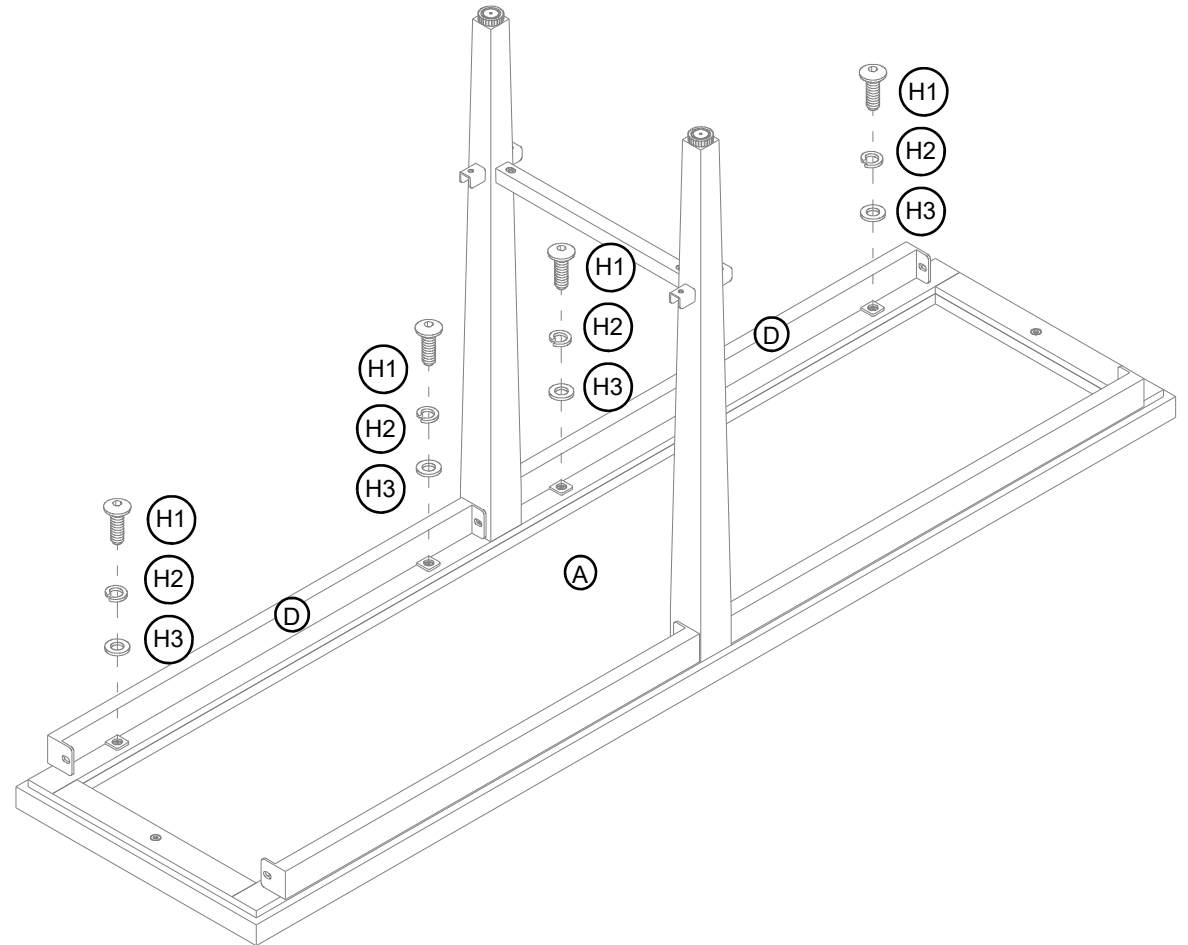
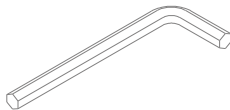
(H3) x 4  
flat washer



(H2) x 4  
lock washer



(H4) x 1  
hex wrench



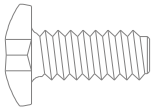
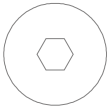
5.1. Insert four 15 mm bolts (H1) with washers (H2 and H3) through the metal tabs on the assembled top stretchers (D) and screw into the top panel (A).

## step 6: attach bottom stretchers to middle legs

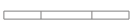
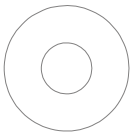
---

**NOTE:** DO NOT fully tighten all bolts until you finish assembling all parts. Once assembled, go back and fully tighten all bolts. This will make the assembly easier.

(H1) x 4  
1/4" x 15 mm bolt



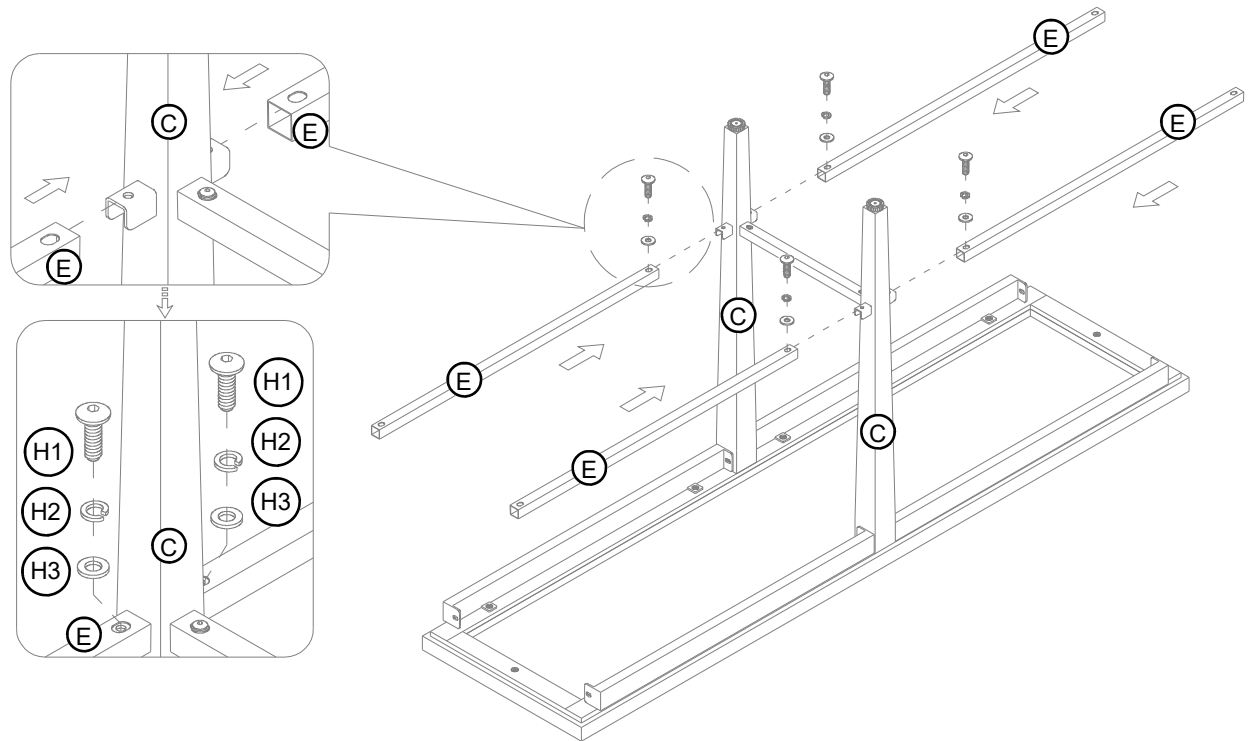
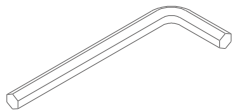
(H3) x 4  
flat washer



(H2) x 4  
lock washer



(H4) x 1  
hex wrench

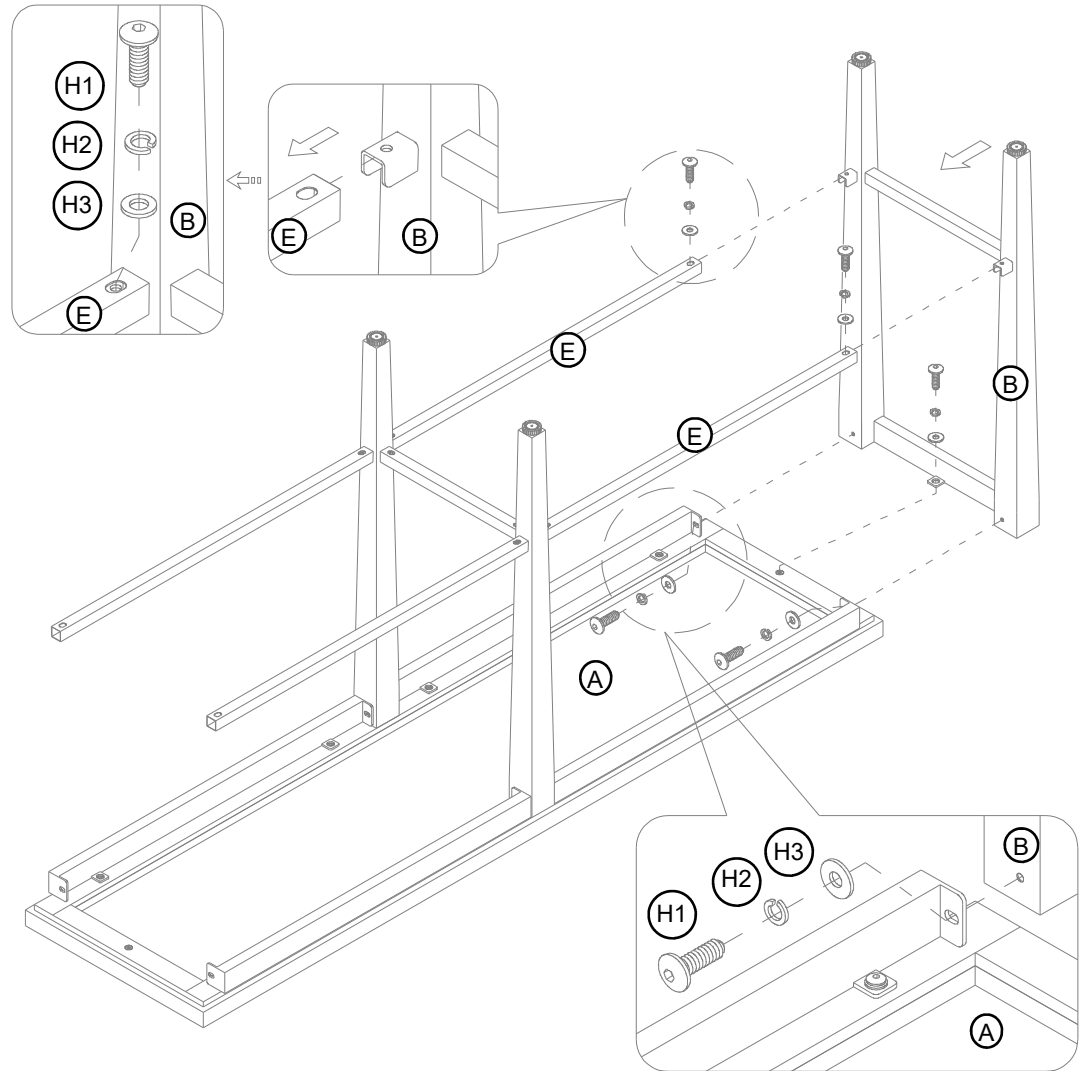


6.1. Orient and fit the bottom stretchers (E) onto the U-shaped bracket on the assembled middle legs (C) and secure into place with four 15 mm bolts (H1) and four washers (H2 and H3).

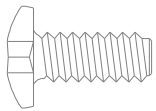
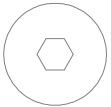
## step 7: attach one side frame to the previous assembly

---

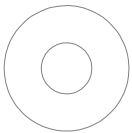
**NOTE:** DO NOT fully tighten all bolts until you finish assembling all parts. Once assembled, go back and fully tighten all bolts. This will make the assembly easier.



(H1) x 5  
1/4" x 15 mm bolt



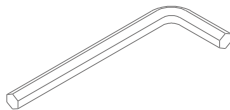
(H3) x 5  
flat washer



(H2) x 5  
lock washer



(H4) x 1  
hex wrench

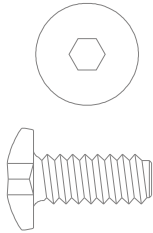


7.1. Align and attach one side frame (B) to the previous assembly with five 15 mm bolts (H1) and five washers (H2 and H3).

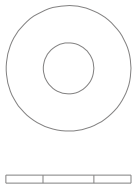
## step 8: attach the other side frame to the previous assembly

**NOTE:** DO NOT fully tighten all bolts until you finish assembling all parts. Once assembled, go back and fully tighten all bolts. This will make the assembly easier.

(H1) x 5  
1/4" x 15 mm bolt



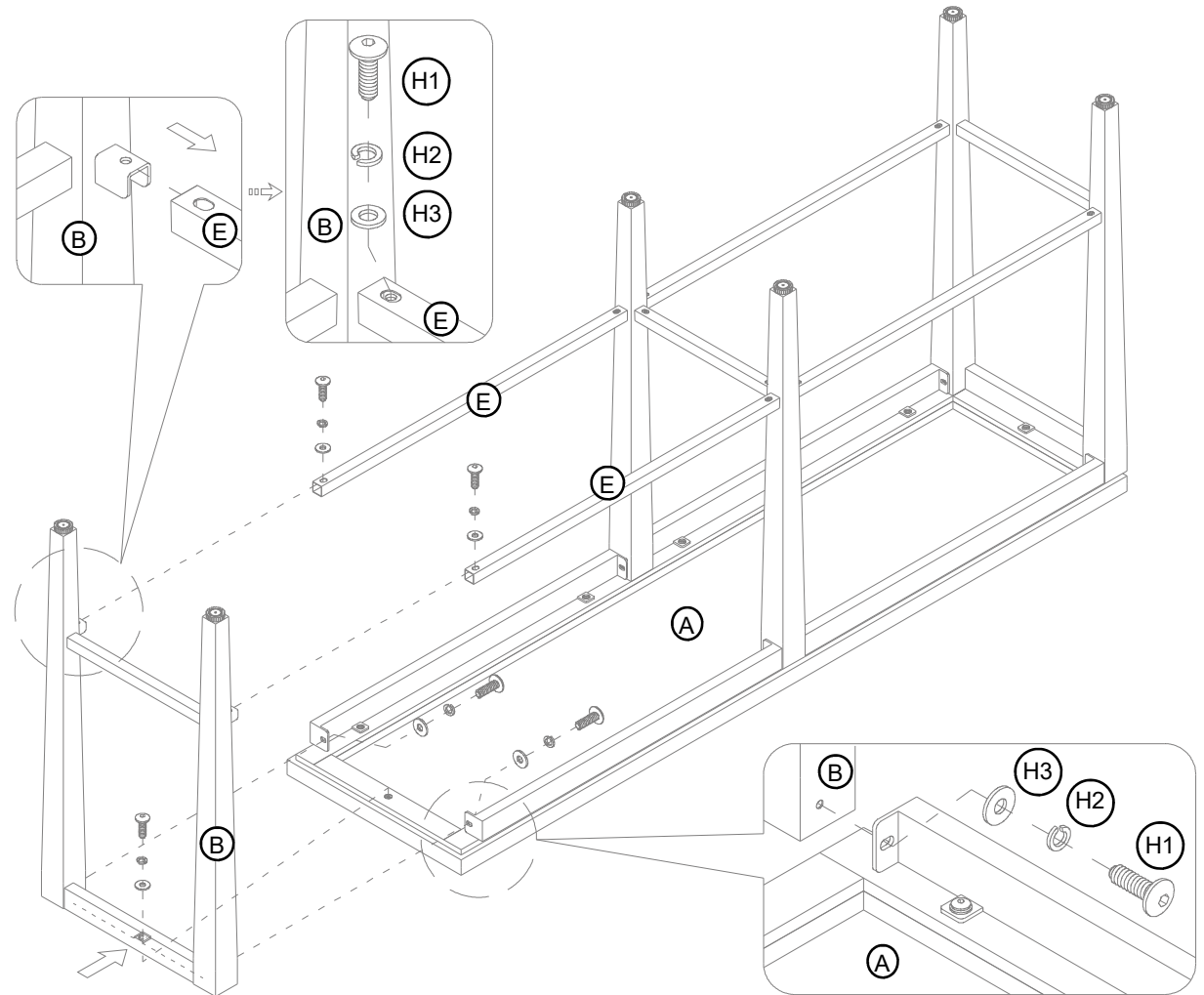
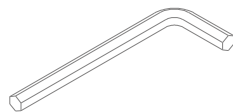
(H3) x 5  
flat washer



(H2) x 5  
lock washer



(H4) x 1  
hex wrench



8.1. Repeat the same process with the other side frame (B).

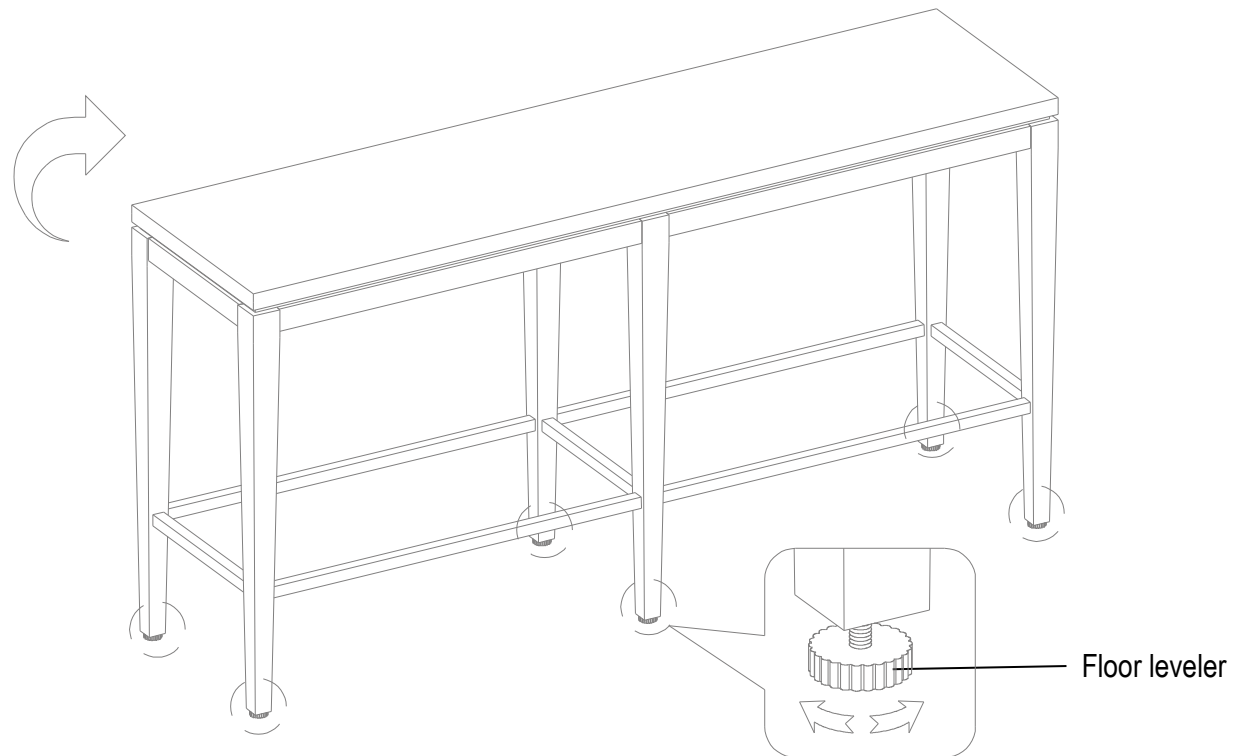
## step 9: adjust the pre-attached floor levelers

---



**CAUTION:** Heavy! You may need assistance with this step.

---



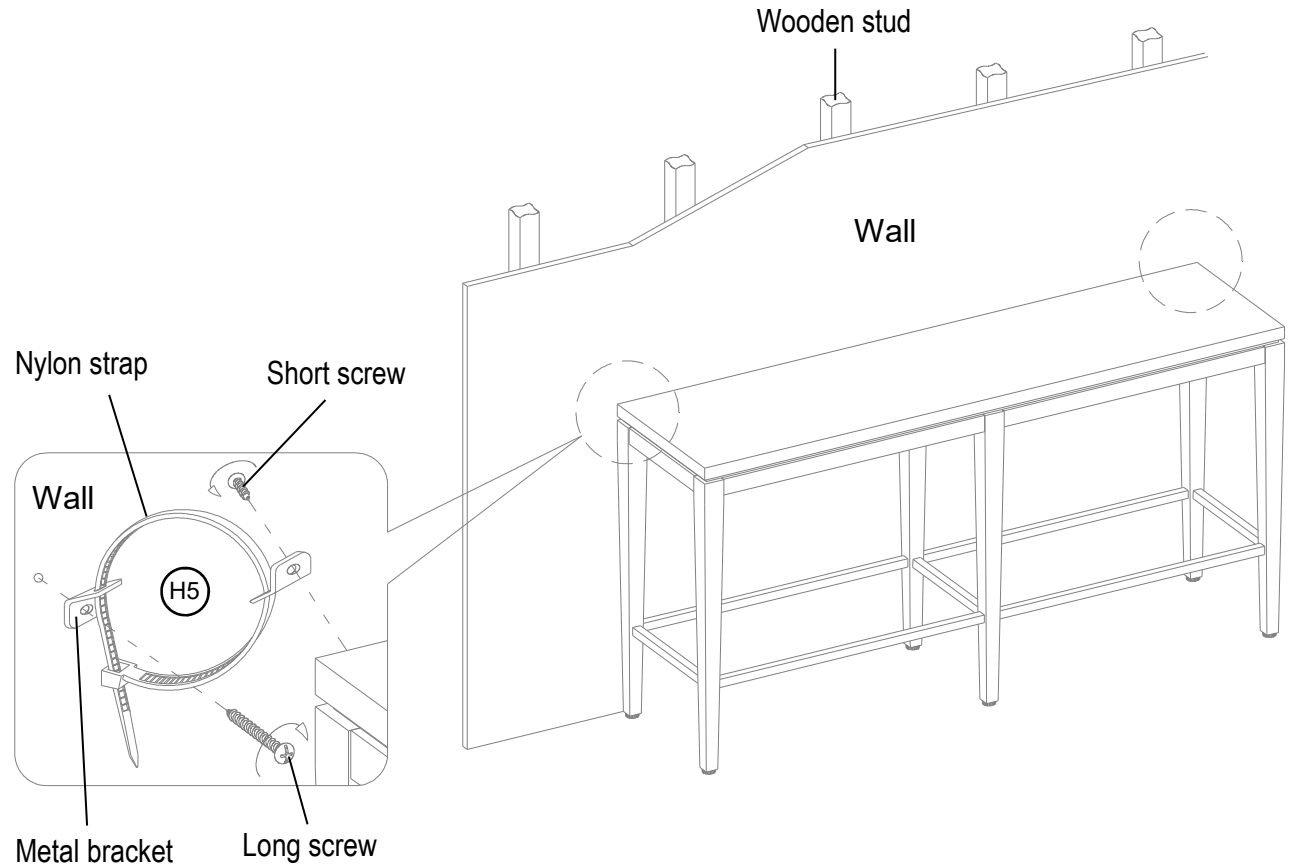
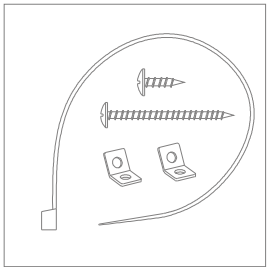
- 9.1. Now, go back and securely tighten all the bolts. Make sure all the parts are tight and there are no gaps between the parts. This will help keep the unit square.
- 9.2. Ask for assistance to lift the assembled unit upright. **DO NOT** lean the table by the legs.
- 9.3. Adjust the pre-attached floor levelers to level the unit, if necessary.

## step 10: install the tipping restraint hardware kit

---



(H5) x 2  
tipping restraint hardware kit  
(inside plastic bag)



Tools required: Phillips screwdriver, stud finder, tape measure, pencil, power drill and 1/8" drill bit (not provided).

10.1. Follow the instructions printed on plastic bag containing tipping restraint hardware to attach tip-over restraint between the unit and wall.

**NOTE:** You must use this tipping restraint to attach this unit to the wall, to prevent accidents and/or injuries.

# FURNITURE TIPPING RESTRAINT

YOUNG CHILDREN MAY BE INJURED BY TIPPING FURNITURE AND YOU MUST USE THIS TIPPING RESTRAINT TO ATTACH THIS UNIT TO THE WALL, TO PREVENT ACCIDENTS AND/OR INJURIES.

THIS HARDWARE, MUST BE PROPERLY INSTALLED (FOLLOW ALL DIRECTIONS IN ORDER ON THIS INSTRUCTIONS), TO PROVIDE PROTECTION AGAINST THE UNEXPECTED TIPPING OF FURNITURE DUE TO IMPROPER USE.

THIS PRODUCT IS ONLY A DETERRENT. IT IS NOT A SUBSTITUTE FOR PROPER ADULT SUPERVISION. USE OF TIP-OVER RESTRAINTS MAY ONLY REDUCE, BUT NOT ELIMINATE, THE RISK OF TIP-OVER.

## **WARNING**

- Unit must be placed on a level surface or leveled with included hardware (when applicable).
- Do not sit or stand on or allow children to climb, sit or stand on the assembled product.
- For safety reasons, it is imperative that this unit be mounted to the wall.
- Do not use without installing the tip restraint.
- Unit can tip over causing severe injury or death.
- Do not exceed the recommended weight limits.
- Evenly distribute the weight on each level and always keep the heavier loads on the bottom.
- Before cutting, drilling or hammering into any wall or floor surface, verify the location of electrical, plumbing and gas lines. Cutting may cause serious injury.

## Care and Maintenance

- Use a soft, clean cloth that will not scratch the surface when dusting.
- Use of furniture polish is not necessary. Should you choose to use polish, test first in an inconspicuous area.
- Using solvents of any kind on your furniture may damage the finish.
- Never use water to clean your furniture as it may cause damage to the finish.
- Always use coasters under beverage glasses and flowerpots.
- Liquid spills should be removed immediately. Using a soft, clean cloth, blot the spill gently. Avoid rubbing.
- Always use protective pads under hot dishes and plates. Heat can cause chemical changes that may create spotting within the furniture finish.
- Stains or marks from crayons or ink markers will be difficult to remove.
- In the event that your furniture is stained or otherwise damaged during use, we recommend that you call a professional to repair your furniture.
- Check bolts/screws and nuts periodically and tighten them if necessary.

## Further Advice about Wood Furniture Care

It is best to keep your furniture in a climate-controlled environment. Extreme temperature and humidity changes can cause fading, warping, shrinking and splitting of wood. It is advised to keep furniture away from direct sunlight as sun may damage the finish.

Proper care and cleaning at home will extend the life of your purchase. Following these important and helpful tips will enhance your furniture as it ages.

We hope you enjoy your purchase for many years.  
Thank you for your purchase!

## QUALITY GUARANTEE

We are confident that you will be delighted with your Whalen Furniture purchase.

Should this product be defective in workmanship or materials or fail under normal use, we will repair or replace it for up to one (1) year from date of purchase. Every Whalen Furniture product is designed to meet your highest expectations. We guarantee that you will immediately see the value of our fine furniture.

This warranty gives you specific legal rights and you may also have other rights which vary from state to state or province to province.

Customer Service: 1-855-MYTGTHOME (855-698-4846)  
8:30 a.m. - 4:30 p.m., PST, Monday to Friday  
[www.whalenfurniture.com](http://www.whalenfurniture.com)

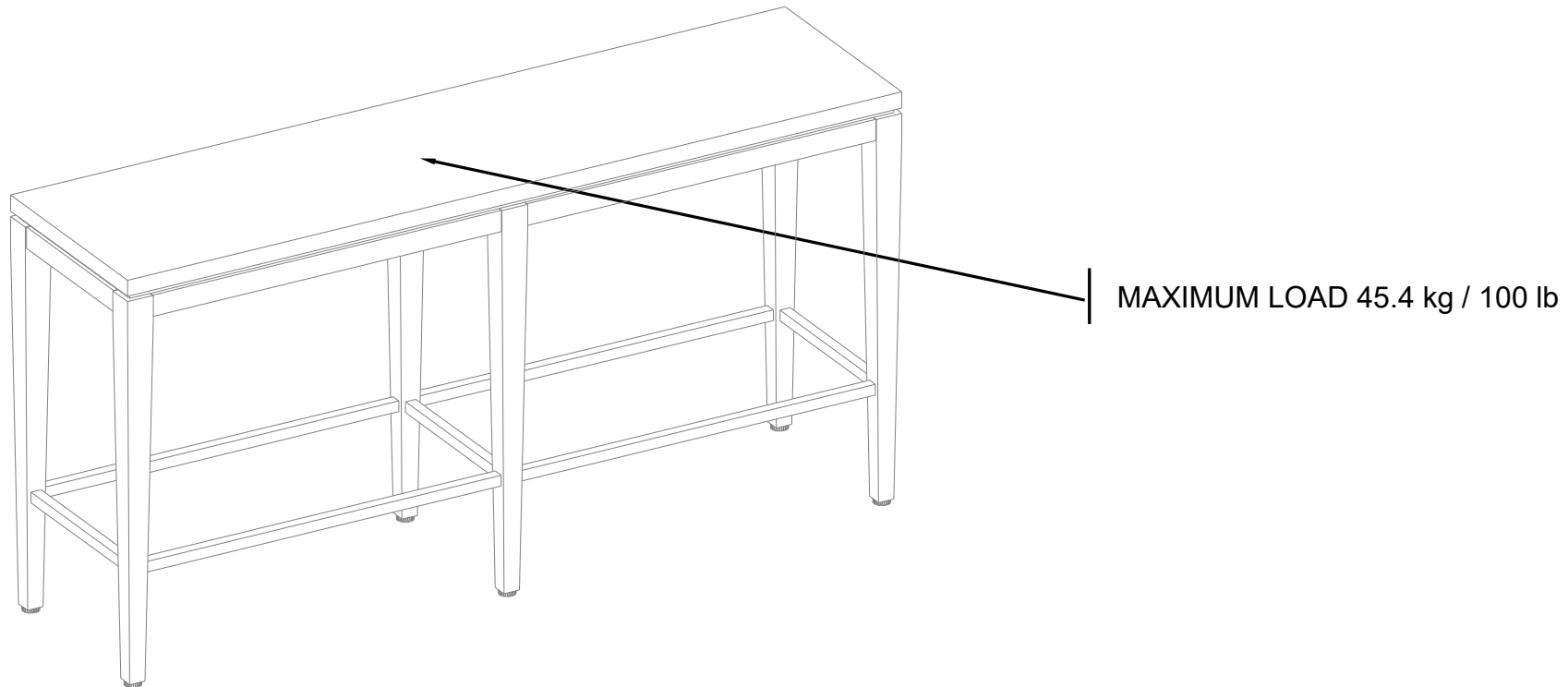


## MAXIMUM RECOMMENDED WEIGHT LOADS

MANUFACTURER: Whalen Furniture Manufacturing

CATALOG: Marvale Console Table

MODEL # TGT60CTB



THIS UNIT IS INTENDED ONLY FOR USE WITHIN THE MAXIMUM WEIGHTS INDICATED. USE WITH LOADS HEAVIER THAN THE MAXIMUM WEIGHTS INDICATED MAY RESULT IN INSTABILITY, CAUSING POSSIBLE INJURY.

The maximum recommended weight allowance is 45.4 kg / 100 lb for top surface.

 **WARNING**

Please use your furniture correctly and safely. Improper use can cause safety hazards, or damage to your furniture or household items. Carefully read the following safety information.

Death or serious injury may occur when children climb on audio and/or video equipment furniture. A remote control or toys placed on the furnishing may encourage a child to climb on the furnishing and as a result may tip over onto the child.

**NEVER** allow children to climb or play with the TV or furnishing supporting the TV.

**NEVER** place toys, food, remote, etc. on top of the TV or TV furnishing.

**ALWAYS** use either the safety hardware as instructed or other wall anchoring device.

Relocating audio and/or video equipment to furniture not specifically designed to support audio and/or video equipment may result in death or serious injury due to furniture collapse or over turning onto a child.

**NEVER** place a TV on furniture that is not intended to support a TV.

**NEVER** exceed the maximum size and weight of the TV shown in the instructions.

Be sure to refer to the TV warning label as shown in the instructions.

Overloading drawers and shelves may result in furniture that can break or sag, or tip-over which may result in injury.

**NEVER** exceed the weight limits shown in the instructions.

Place the heavier items on lower shelves as far back from the front as possible.

Load the bottom surfaces first to avoid top-heavy furniture.

Moving furniture that is not designed to be moved or equipped with casters may result in injury or damage to furnishings or personal property.

**ALWAYS** unload shelves and drawers, starting with the top surfaces, before moving.

**NEVER** push or pull furniture on carpet. Have a friend help lift properly to move and/or reposition it.

The unit is not meant as a seat and no one should be sitting or standing on the top panel.