



THRESHOLD™

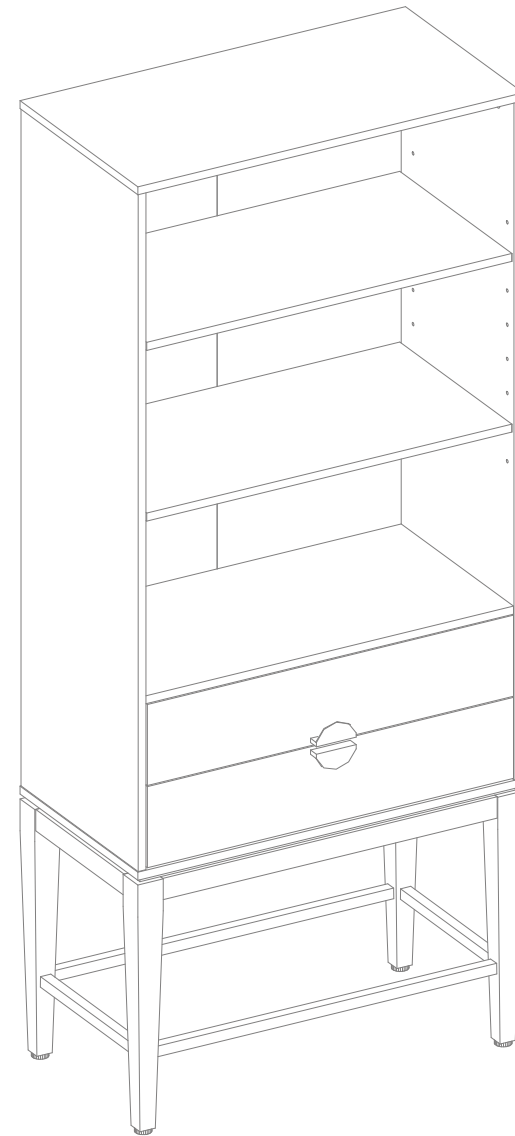
— *designed with* —

STUDIO MCGEE

## Marvale Bookcase with Drawer

Style #: TGT70BK

DPC-item #: 249-14-0069



>> [Assembly instructions](#)



Congratulations on your latest Target purchase.

Now what? Don't start sweating over this box of parts. This will be easy. We did the hard work for you. All you need to do is follow our simple instructions and you'll be on your way to transforming your room in no time. Good luck – though we're confident you won't need it.

## before you begin

1. Check for damaged or missing parts. Call 1-855-MYTGTHOME (855-698-4846) to order missing supplies.
2. Use the carton as a work surface to prevent product damage during assembly.
3. Gather all tools prior to assembly.

Scan for easy 3D instructions


Tap. Zoom. Rotate with official interactive instructions on the BILT app.



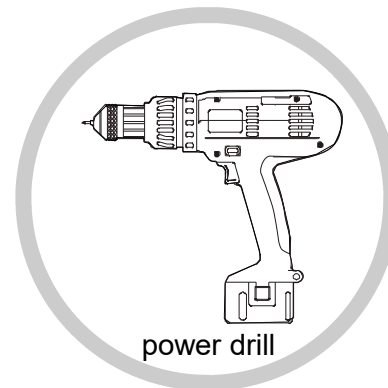
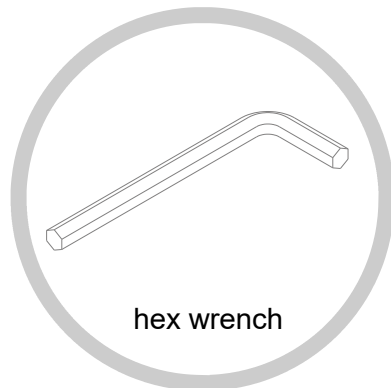
**BILT.**

Download on the App Store

GET IT ON Google Play



## tools needed (only hex wench included)

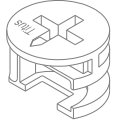


For tipping restraint hardware kit only.

# hardware

---

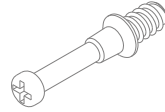
**(H1) x 28**  
large cam lock



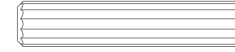
**(H2) x 16**  
small cam lock



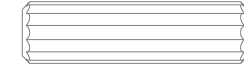
**(H3) x 44**  
cam bolt



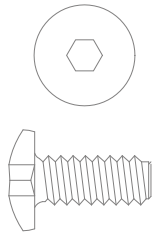
**(H4) x 8**  
M6 x 30 mm wood dowel



**(H5) x 29**  
M8 x 30 mm wood dowel



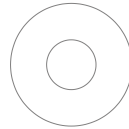
**(H6) x 16**  
1/4" x 15mm bolt



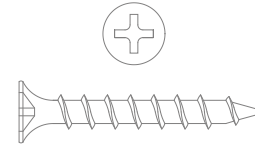
**(H7) x 16**  
lock washer



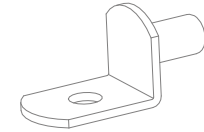
**(H8) x 16**  
flat washer



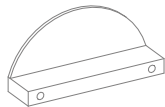
**(H9) x 24**  
M4 x 32mm screw



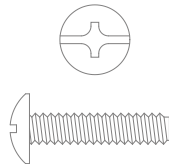
**(H10) x 8**  
shelf support



**(H11) x 2**  
handle



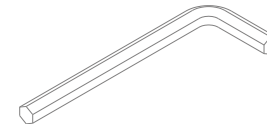
**(H12) x 4**  
M4 x 18mm bolt



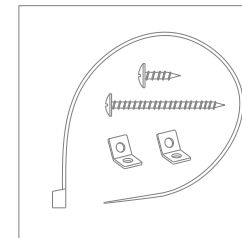
**(H13) x 4**  
cam lock cover



**(H14) x 1**  
hex wrench

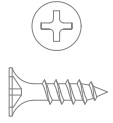


**(H15) x 2**  
tipping restraint hardware kit  
(inside plastic bag)

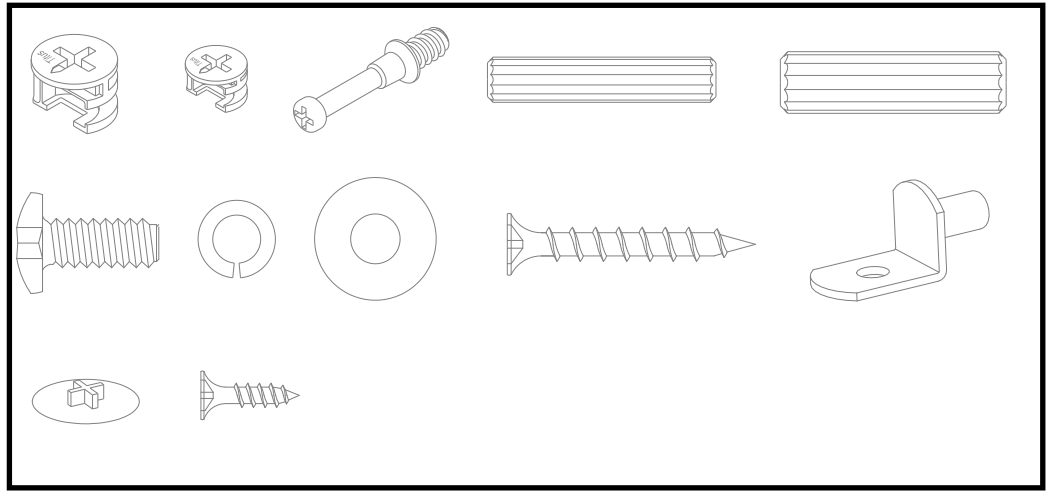


# hardware

(H16) x 8  
M3.5 x 12mm screw

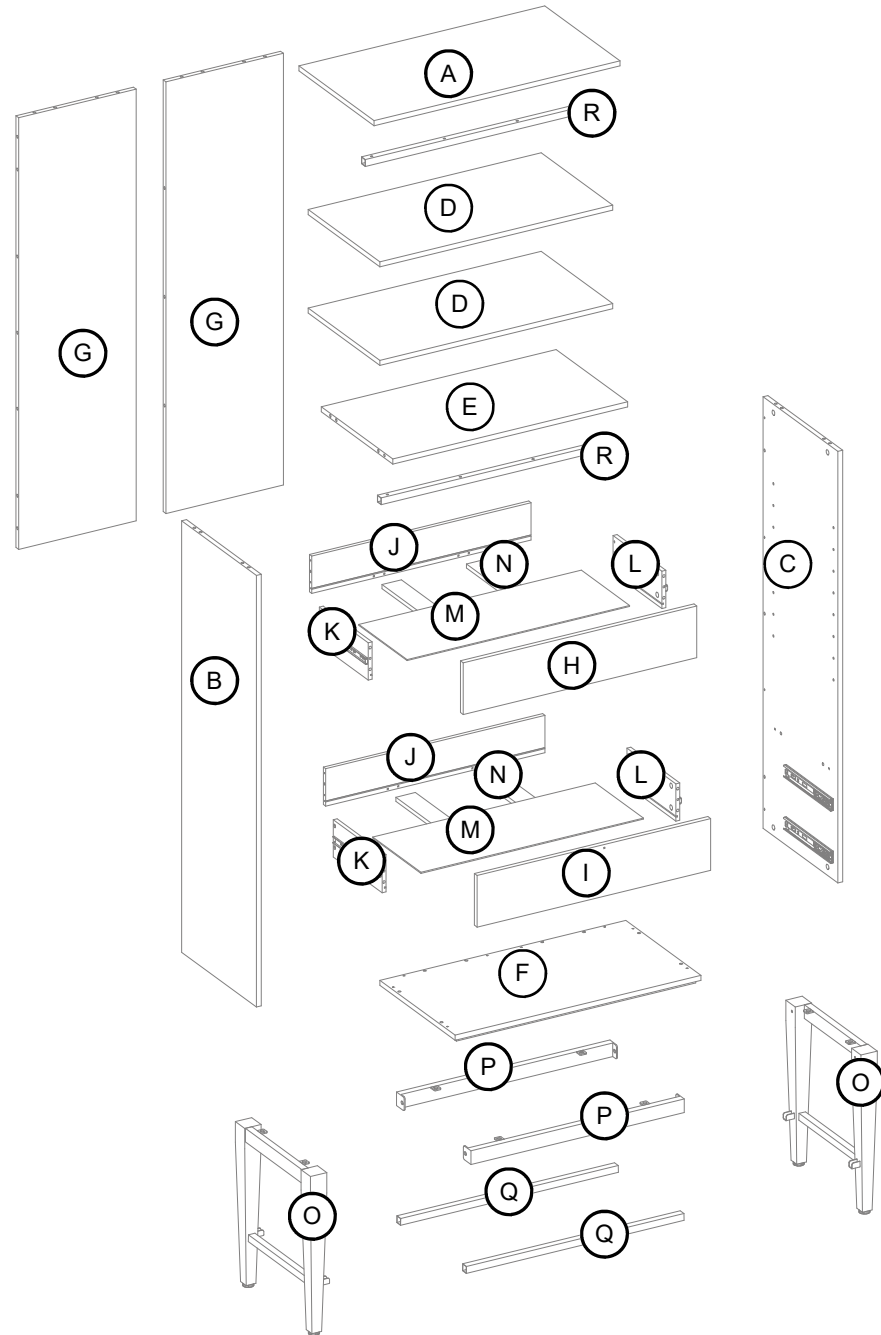


## Spare hardware



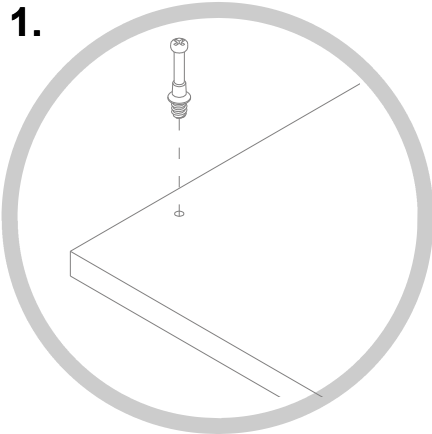
# exploded diagram

ITEM	DESCRIPTION	QTY
A	Top panel	1
B	Left side panel	1
C	Right side panel	1
D	Adjustable shelf	2
E	Fixed shelf	1
F	Bottom panel	1
G	Back panel	2
H	Upper drawer front panel	1
I	Lower drawer front panel	1
J	Drawer back panel	2
K	Drawer left side panel	2
L	Drawer right side panel	2
M	Drawer bottom panel	2
N	Drawer bottom support	4
O	Base side frame	2
P	Base top stretcher	2
Q	Base bottom stretcher	2
R	Panel reinforcement	2

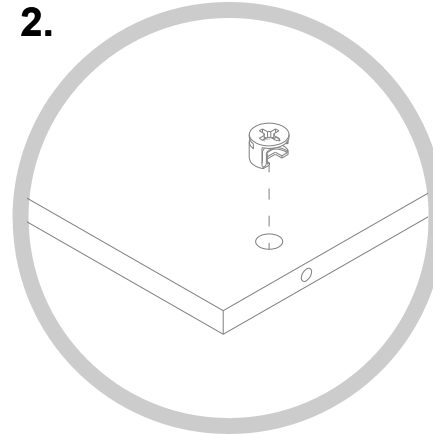


# how to use the cam lock system

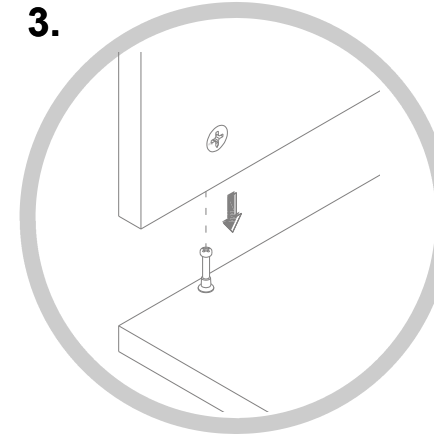
---



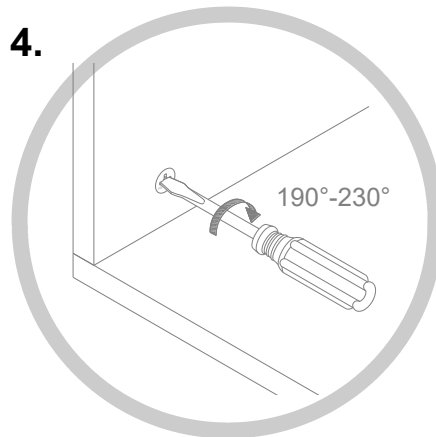
Screw cam bolt into panel



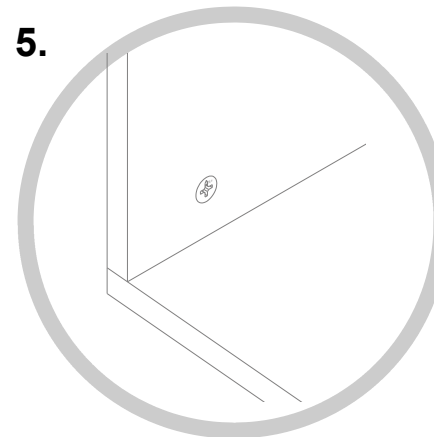
Push cam into panel - arrow feature on cam top points to panel edge



Align cam bolt(s) with cam(s) and insert all the way into cross-bored hole(s)



Rotate cam(s) clockwise 190°-230° to lock panels together

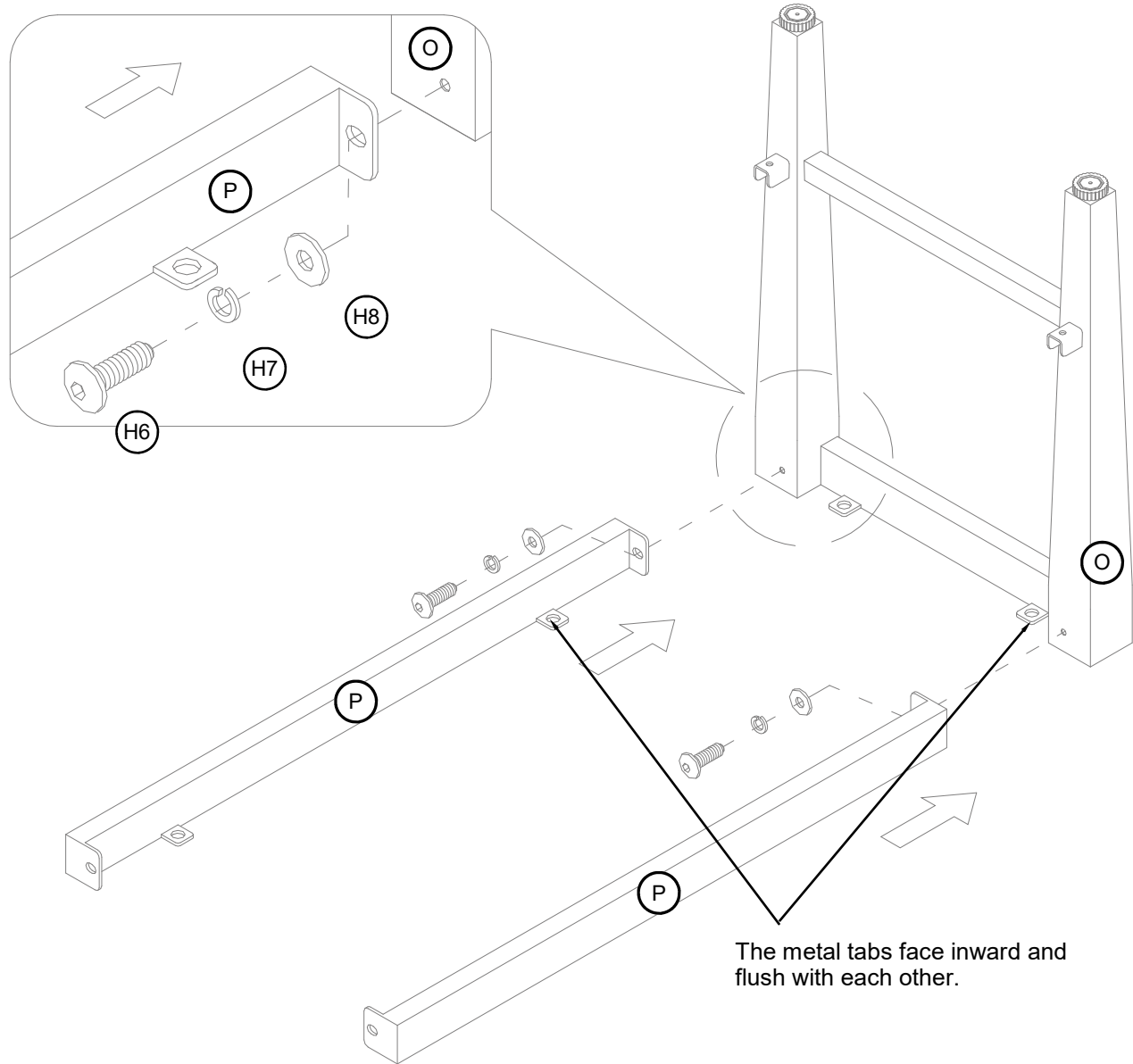


Panels should be tight against each other and connection should be rigid

# step 1: attach base upper stretchers

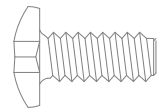
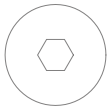
---

**NOTE:** DO NOT fully tighten all fasteners until you finish assembling all parts. Once assembled, go back and fully tighten all bolts. This will make the assembly easier.

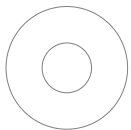


---

**(H6) x 2**  
1/4" x 15mm bolt



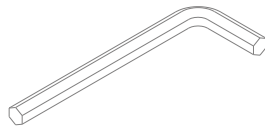
**(H8) x 2**  
flat washer



**(H7) x 2**  
lock washer



**(H14) x 1**  
hex wrench



1.1. Orient and attach the base upper stretchers (P) to one base side frame (O) with two 1/4" bolts (H6) and two washers (H7 and H8).

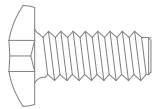
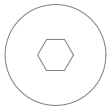
## step 2: attach base bottom stretchers

---

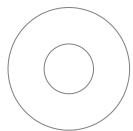
**NOTE:** DO NOT fully tighten all fasteners until you finish assembling all parts. Once assembled, go back and fully tighten all bolts. This will make the assembly easier.

---

**(H6) x 2**  
1/4" x 15mm bolt



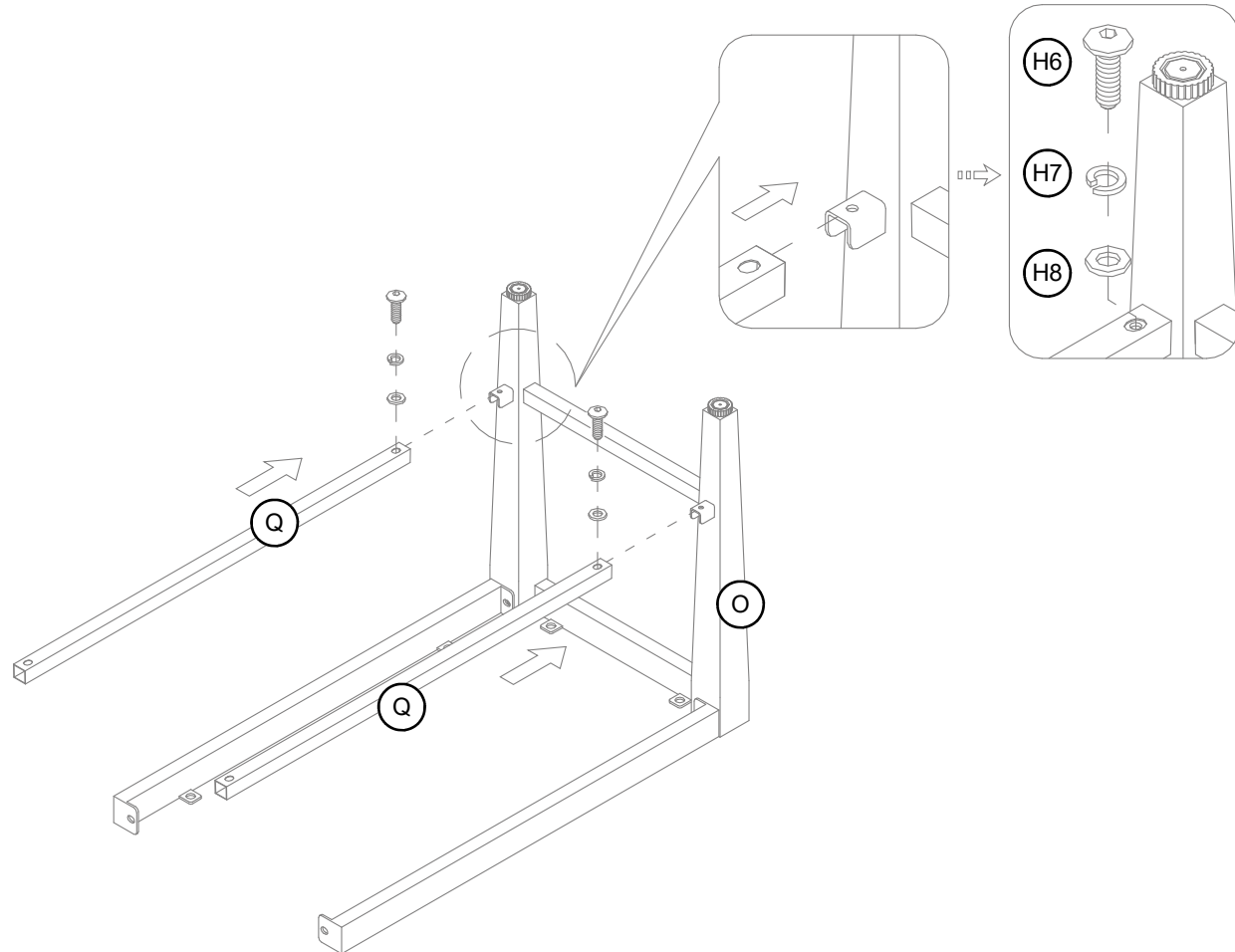
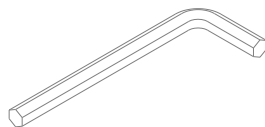
**(H8) x 2**  
flat washer



**(H7) x 2**  
lock washer



**(H14) x 1**  
hex wrench



2.1. Orient and fit the base bottom stretchers (Q) onto the U-shaped brackets on the base side frame (O) and fasten them into place using two 1/4" bolts (H6) and two washers (H7 and H8).



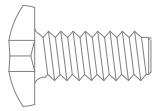
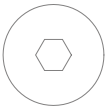
## step 3: attach base side frame

---

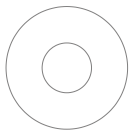
**NOTE:** DO NOT fully tighten all fasteners until you finish assembling all parts. Once assembled, go back and fully tighten all bolts. This will make the assembly easier.

---

**(H6) x 4**  
1/4" x 15mm bolt



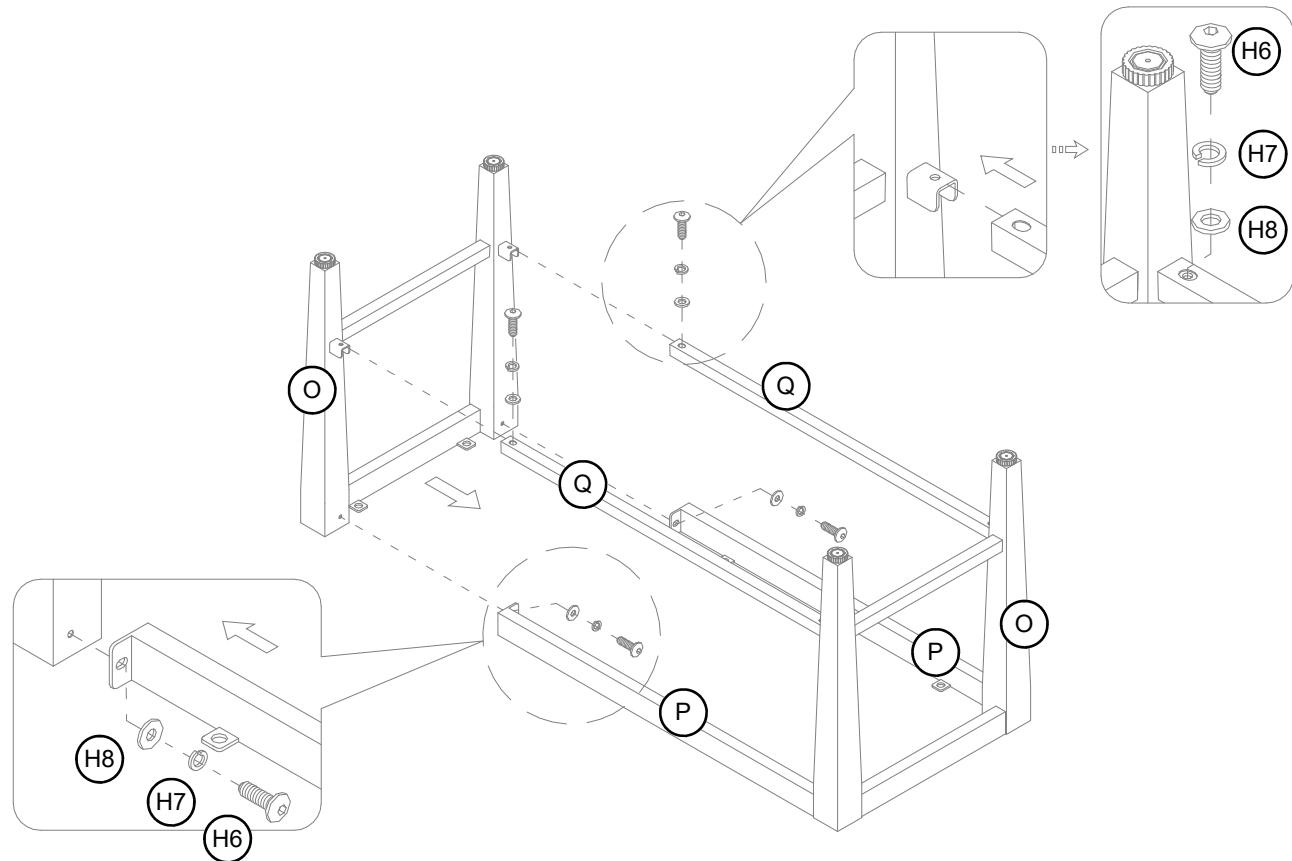
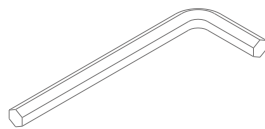
**(H8) x 4**  
flat washer



**(H7) x 4**  
lock washer



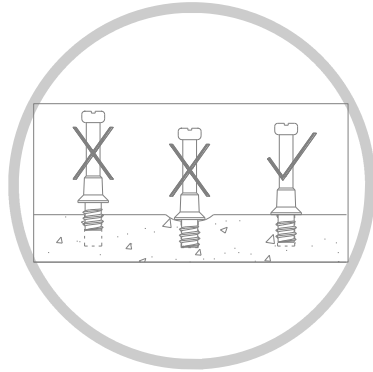
**(H14) x 1**  
hex wrench



3.1. Repeat the same process with the other base side frame (O).

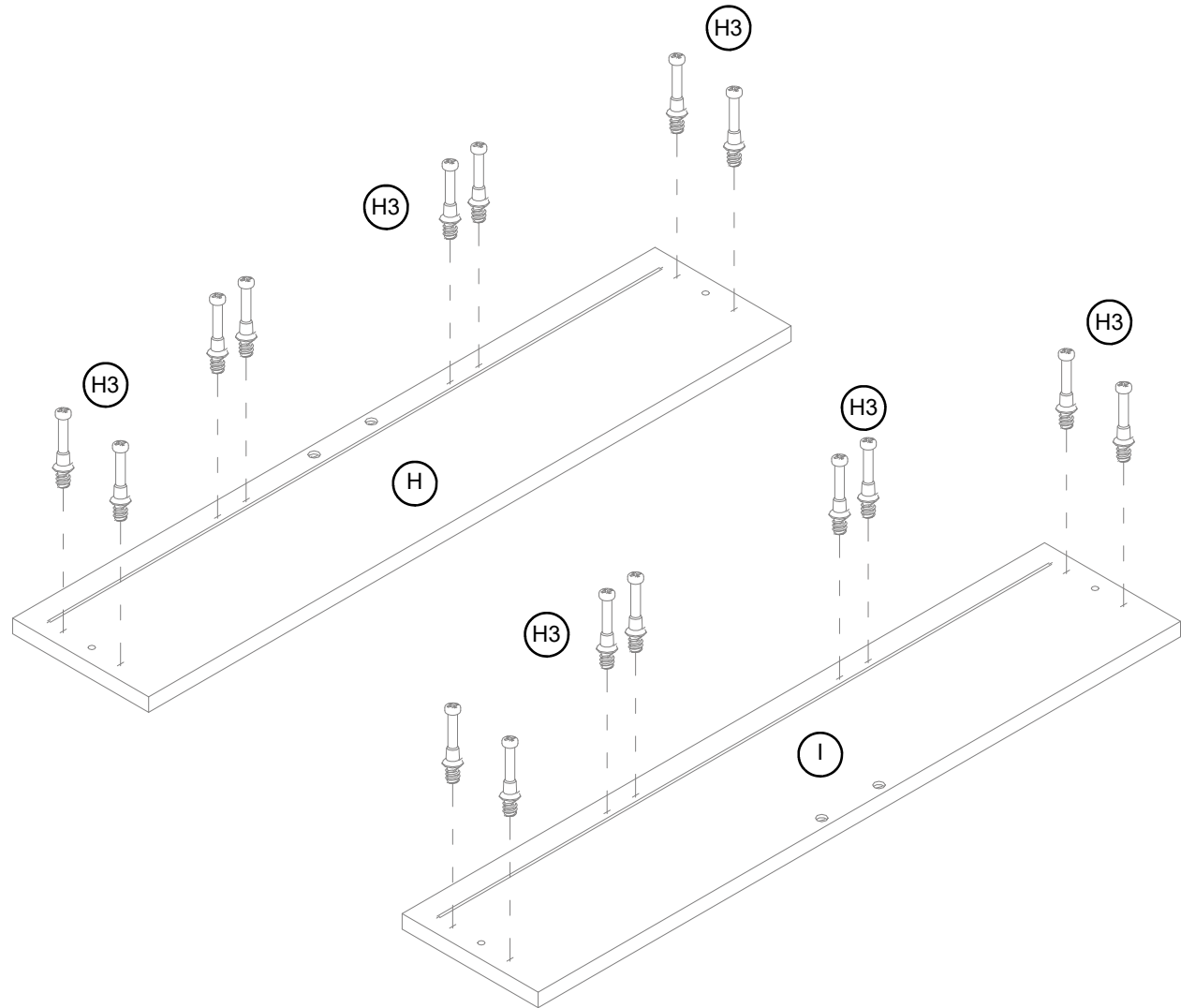
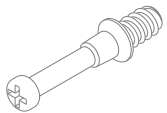
## step 4: prepare drawer kit assembly

---



---

(H3) x 16  
cam bolt



4.1. Securely screw the cam bolts (H3) into the designated small holes on the drawer front panels (H and I).

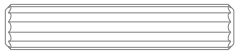
## step 5: attach drawer side panels to the drawer back panel

---

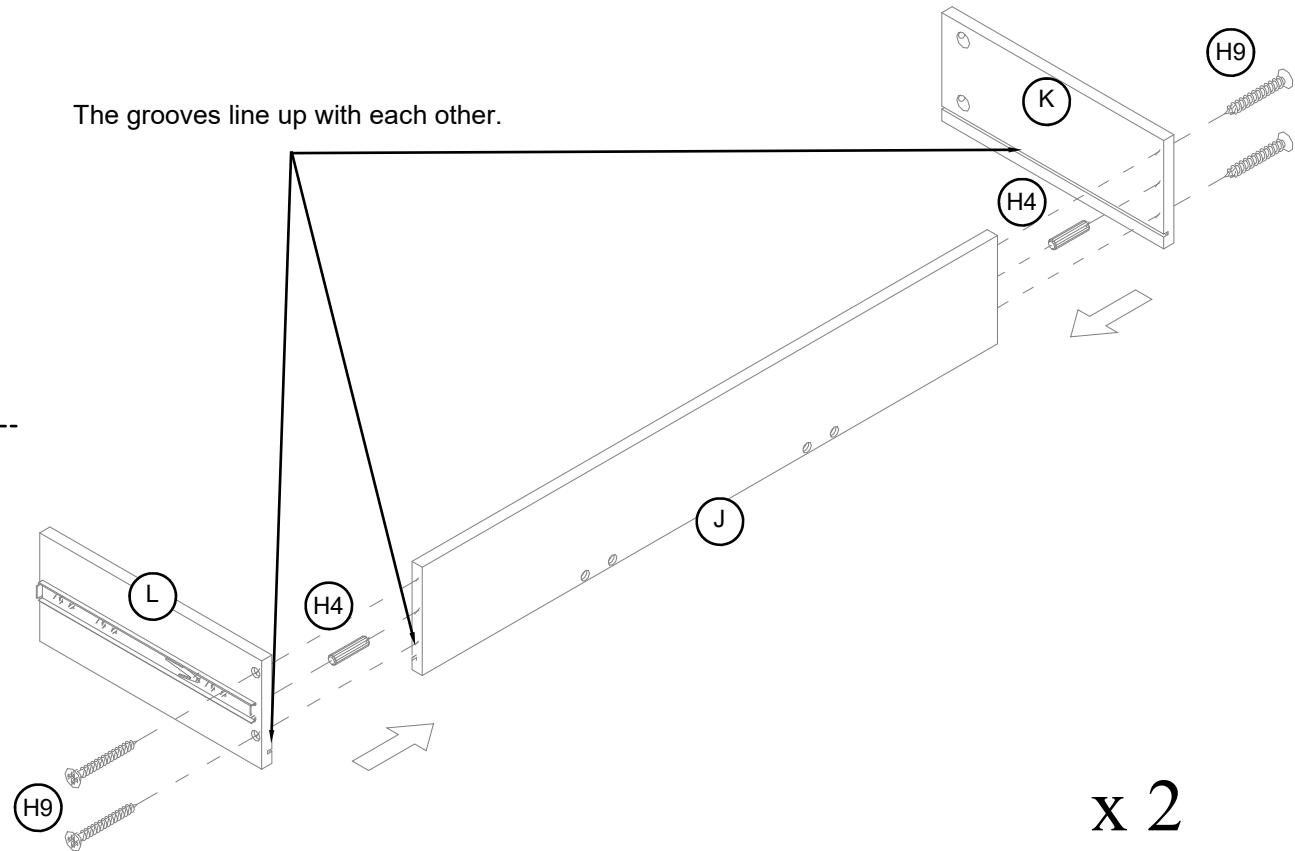
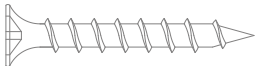
**NOTE:** DO NOT use power tools.

The grooves line up with each other.

(H4) x 4  
M6 x 30 mm wood dowel



(H9) x 8  
M4 x 32mm screw



- 5.1. Insert the small wood dowels (H4) into the middle holes of one drawer back panel (J) at both ends and attach it between the drawer left and right side panels (K and L) with four 32mm screws (H9).
- 5.2. Complete the process two times for the other drawer.

## step 6: attach drawer bottom supports

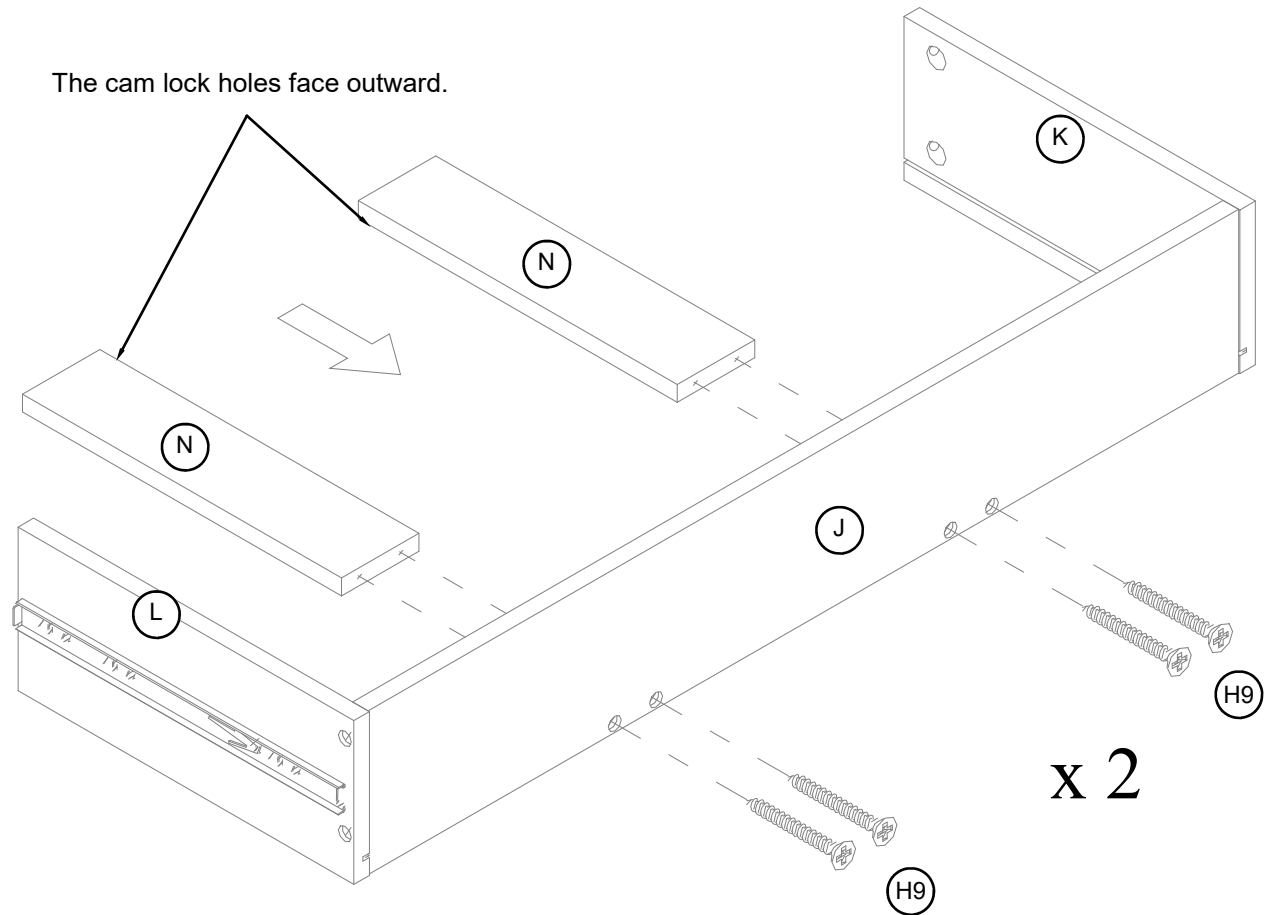
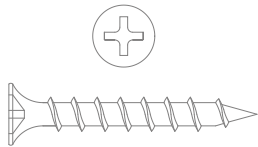
---

**NOTE:** DO NOT use power tools.

The cam lock holes face outward.

---

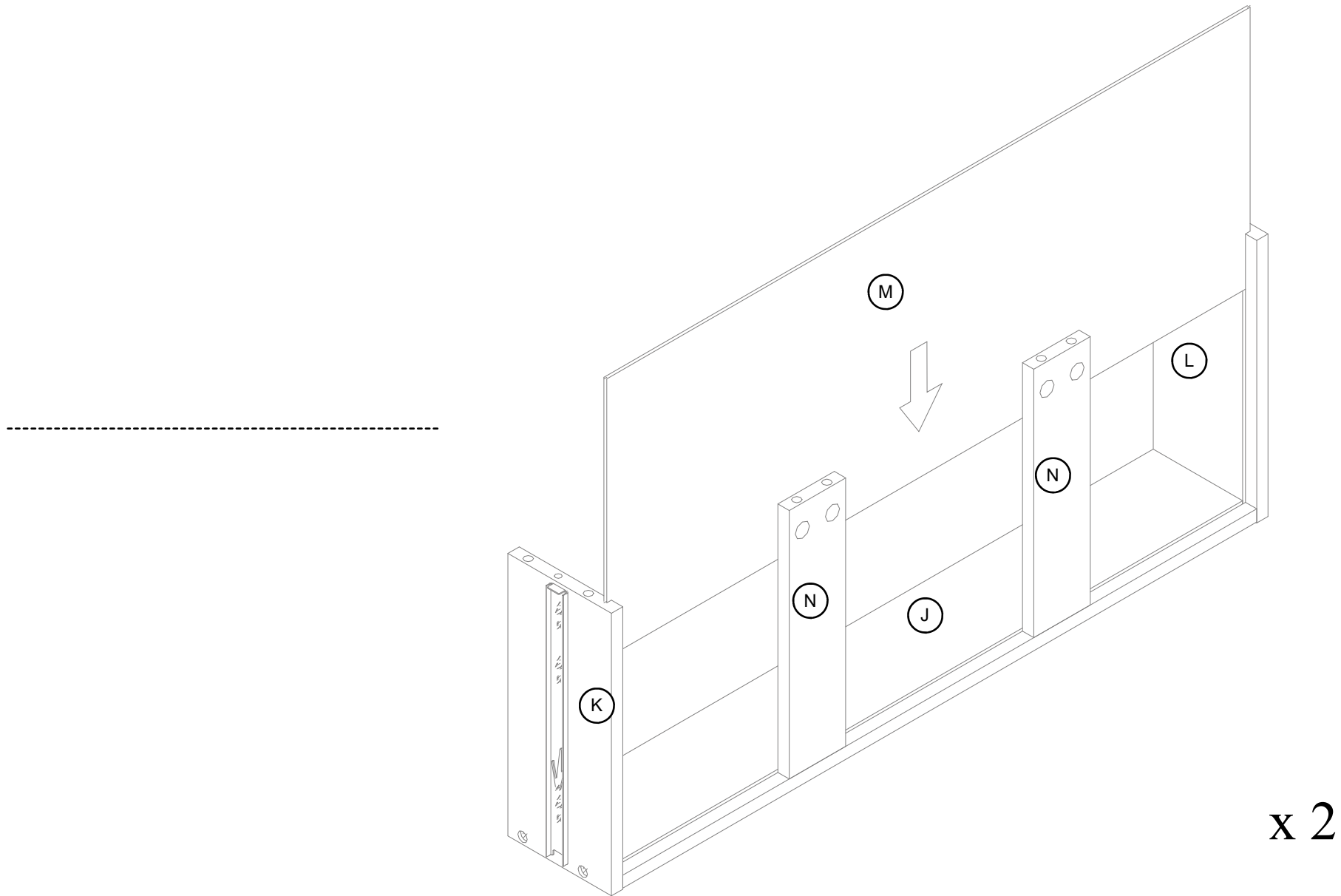
(H9) x 8  
M4 x 32mm screw



- 6.1. Orient and fasten two drawer bottom supports (N) to the drawer back panel (J) with four 32mm screws (H9).
- 6.2. Complete the process two times for the other drawer.

## step 7: install drawer bottom panels

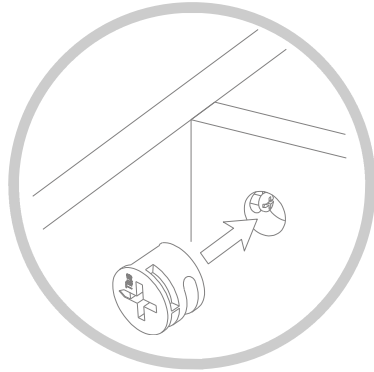
---



7.1. Slide the drawer bottom panels (M) into the grooves on the drawer side panels (K and L) until fully inserted into the drawer back panels (J).

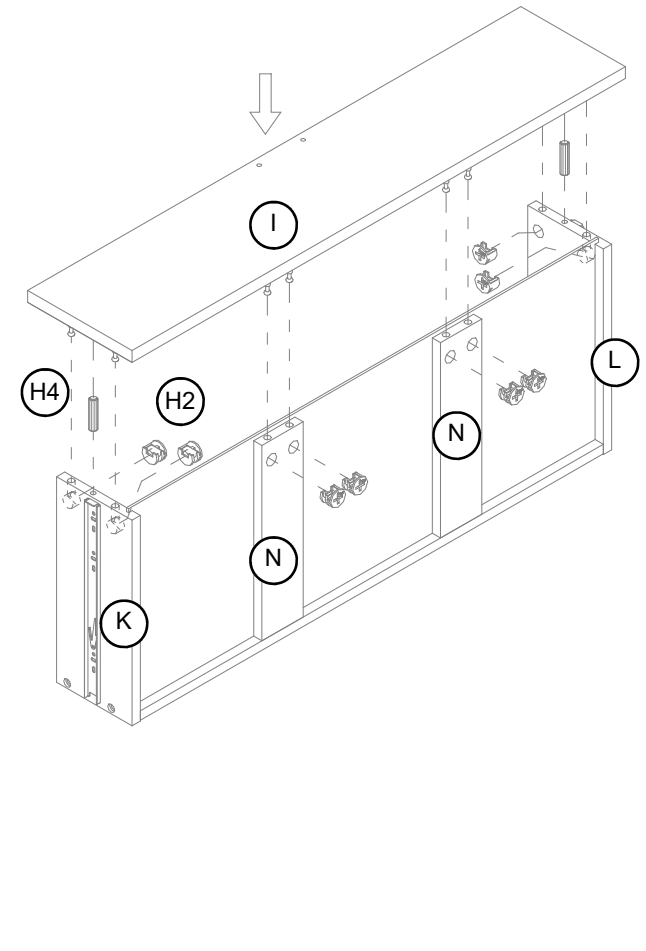
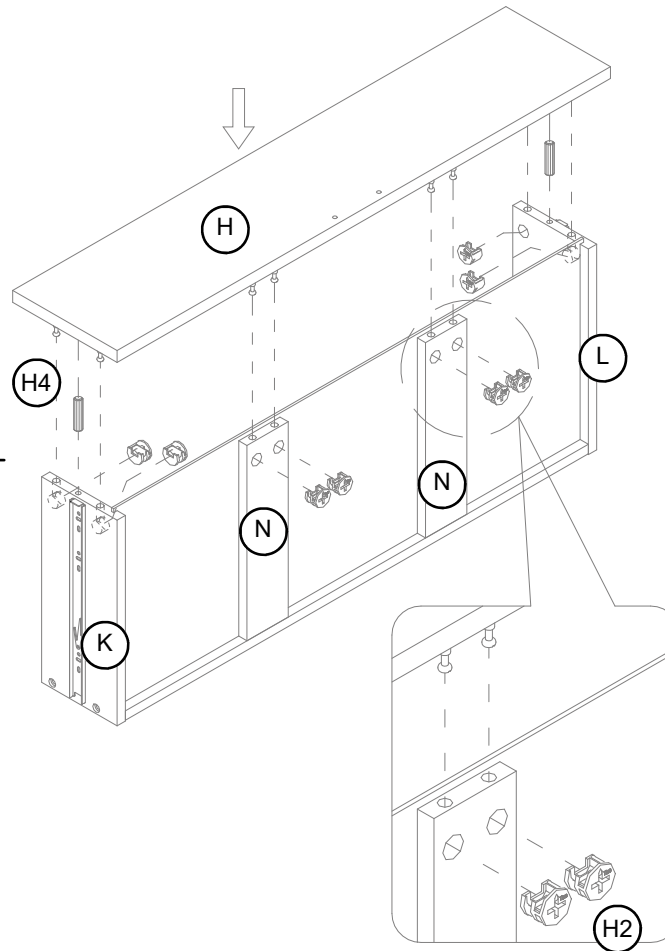
## step 8: attach the drawer front panels

---



**(H2) x 16**  
small cam lock

**(H4) x 4**  
M6 x 30 mm wood dowel



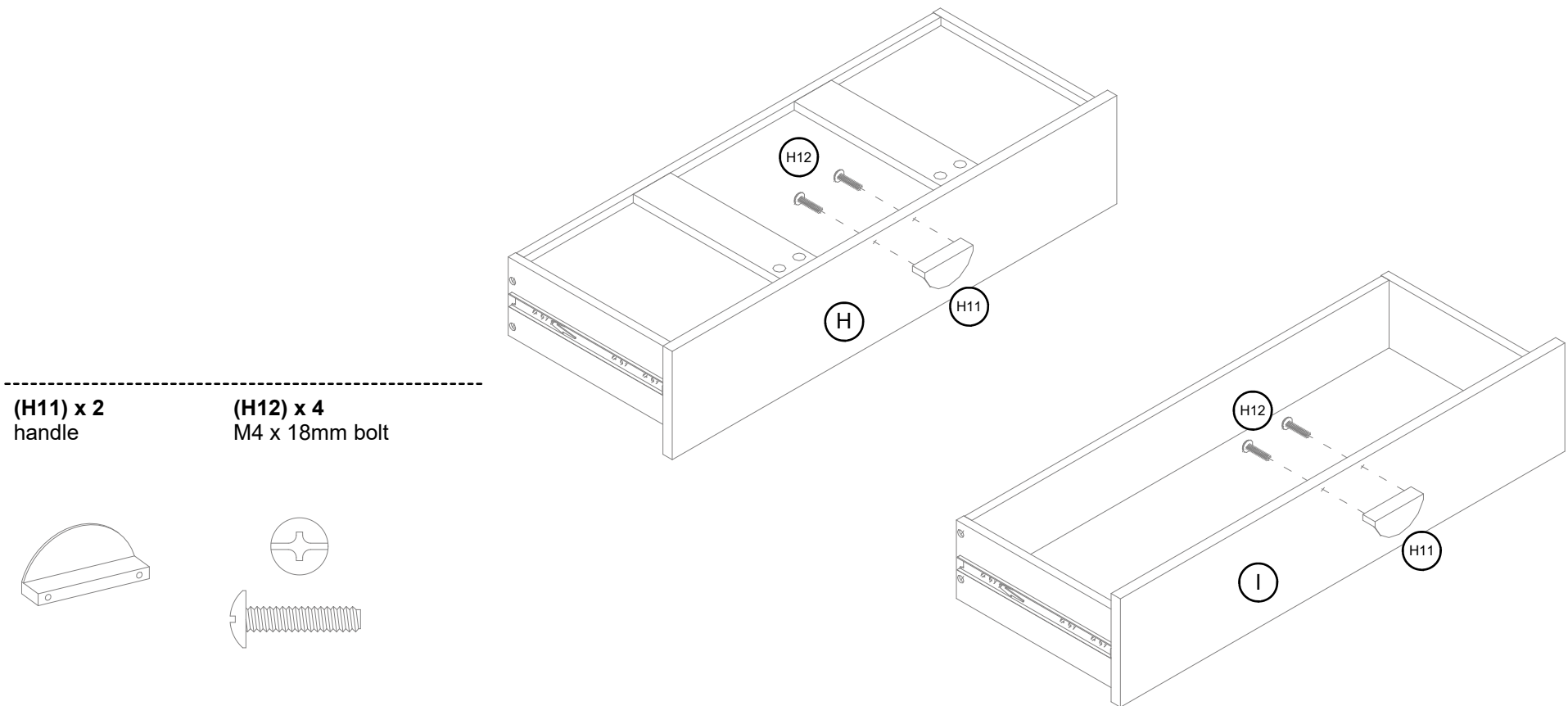
8.1. Insert one small wood dowel (H4) into the inner hole on each drawer side panel (K and L).

8.2. Position the upper drawer front panel (H) onto the inserted wood dowels and fasten it into place by engaging eight small cam locks (H2).

8.3. Repeat the same process with the lower drawer front panel (I).

## step 9: install the drawer handle

---

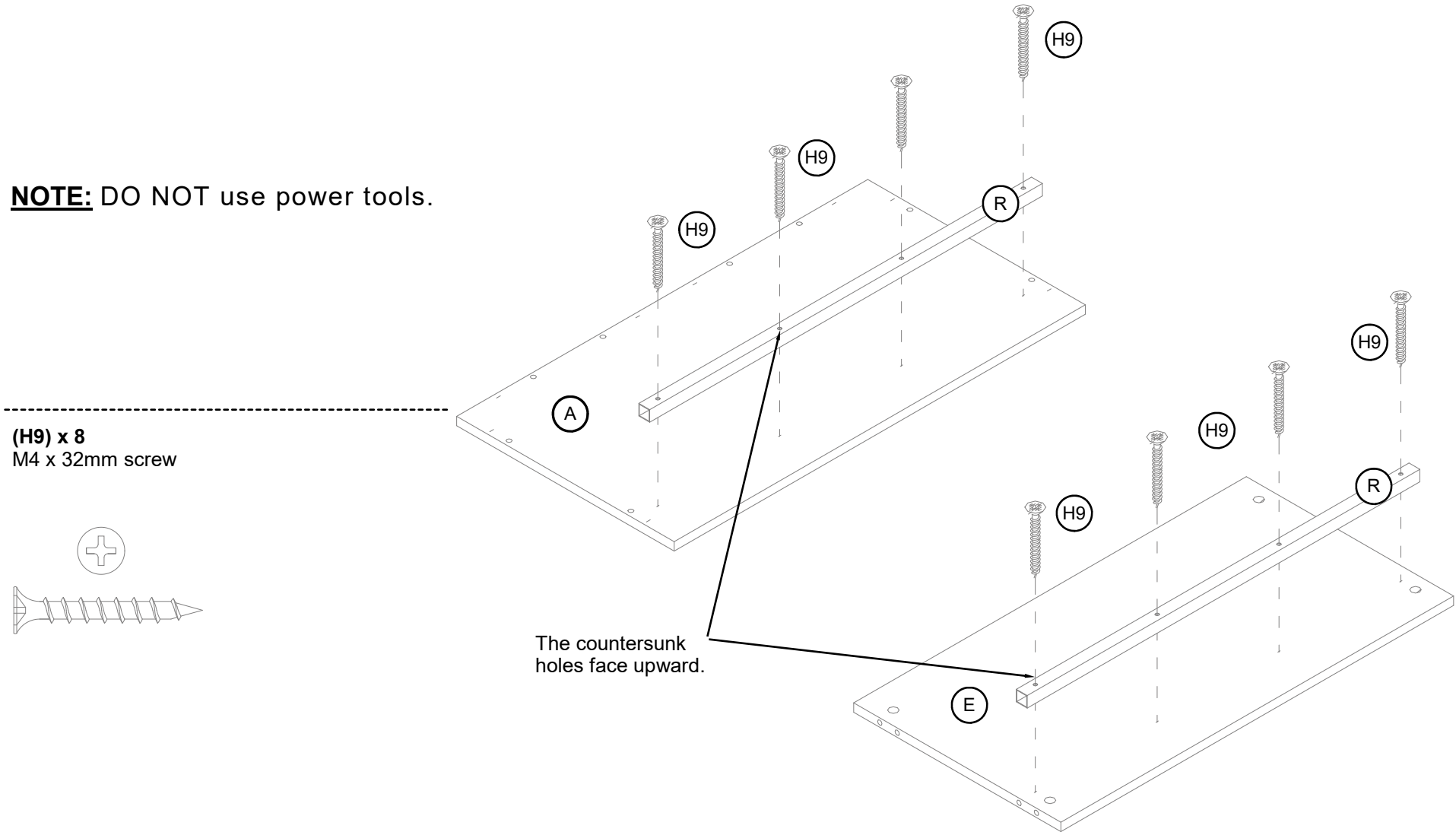


9.1. Orient and attach the handle (H11) to the front side of each drawer front panel (H and I) with two 18mm bolts.

## step 10: attach panel reinforcements

---

**NOTE:** DO NOT use power tools.

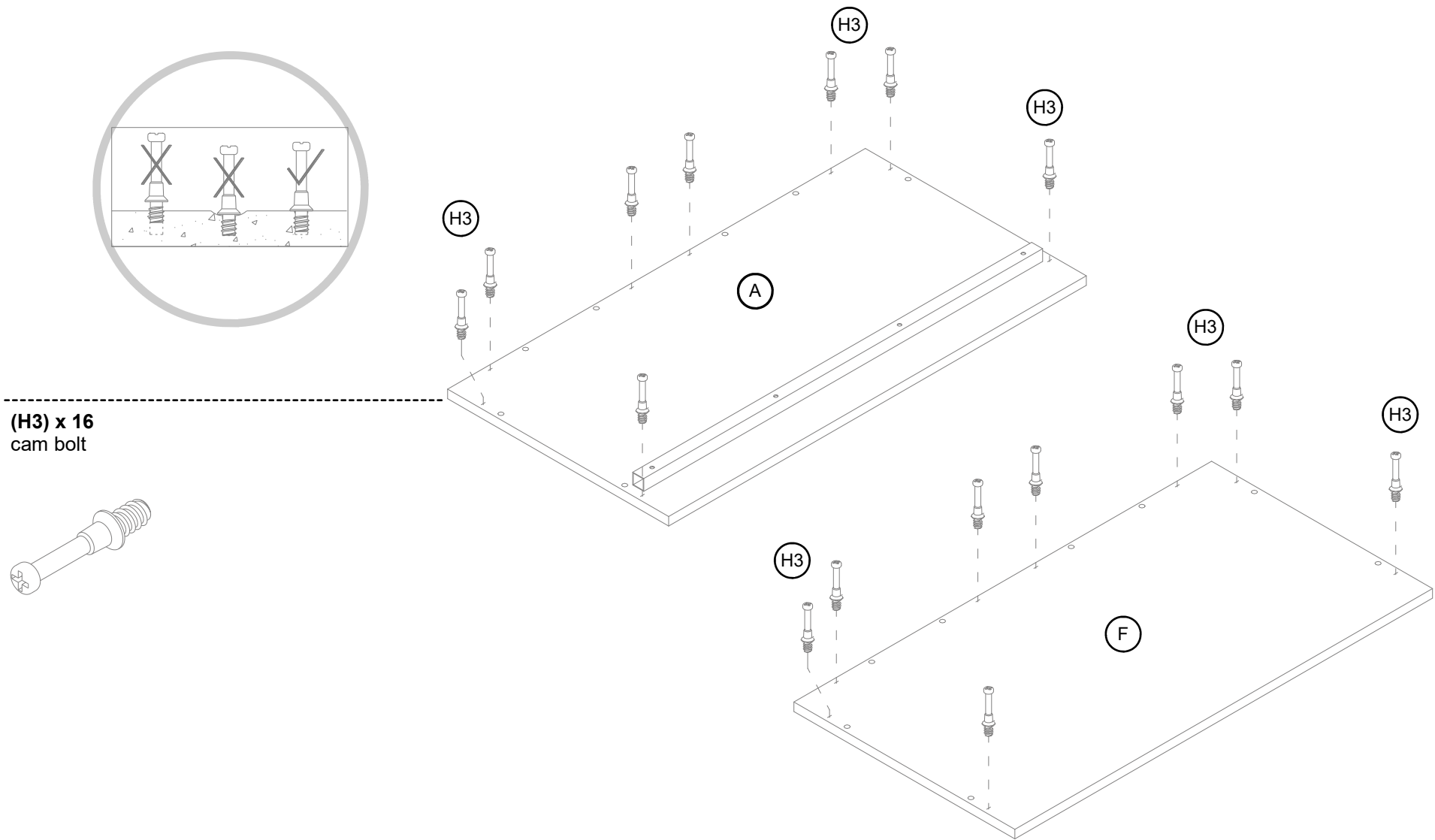


- 10.1. Orient and fasten one panel reinforcement (R) to the top panel (A) with four 32mm screws (H9), using the pilot holes as a guide.
- 10.2. Repeat the same process for the fixed shelf (E).



## step 11: prepare top panel and fixed shelf assembly

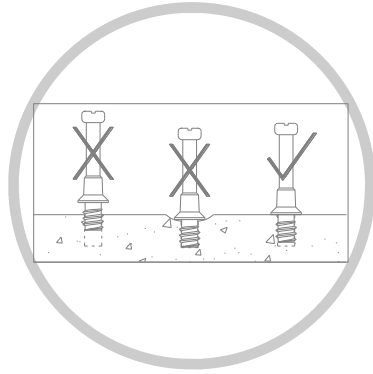
---



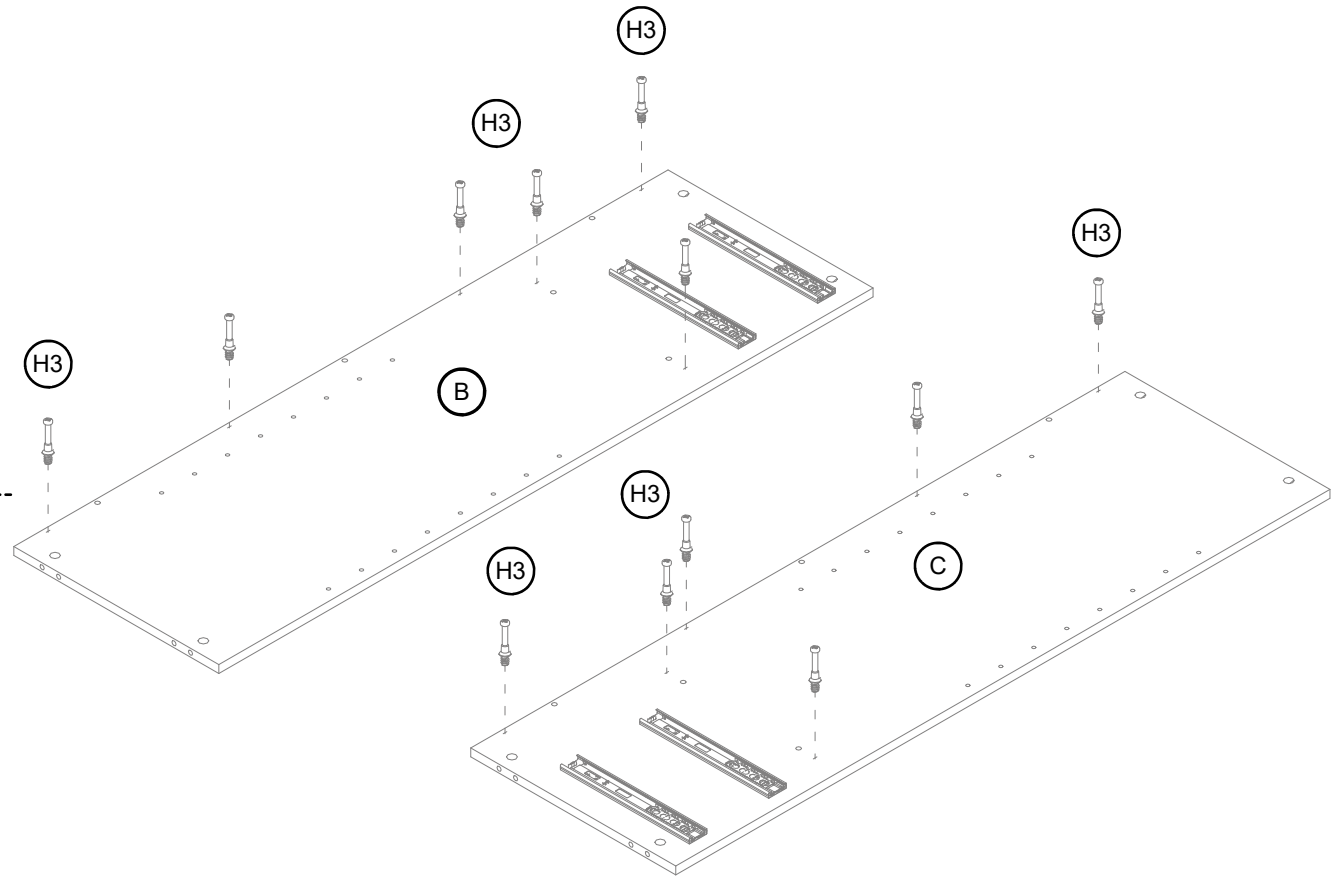
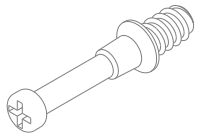
11.1. Securely screw the cam bolts into the designated small holes on the top panel (A) and bottom panel (F).

## step 12: prepare side panel assembly

---



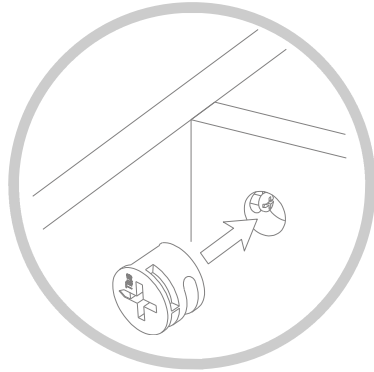
(H3) x 12  
cam bolt



12.1. Securely screw the cam bolts (H3) into the designated small holes on both side panels (B and C).

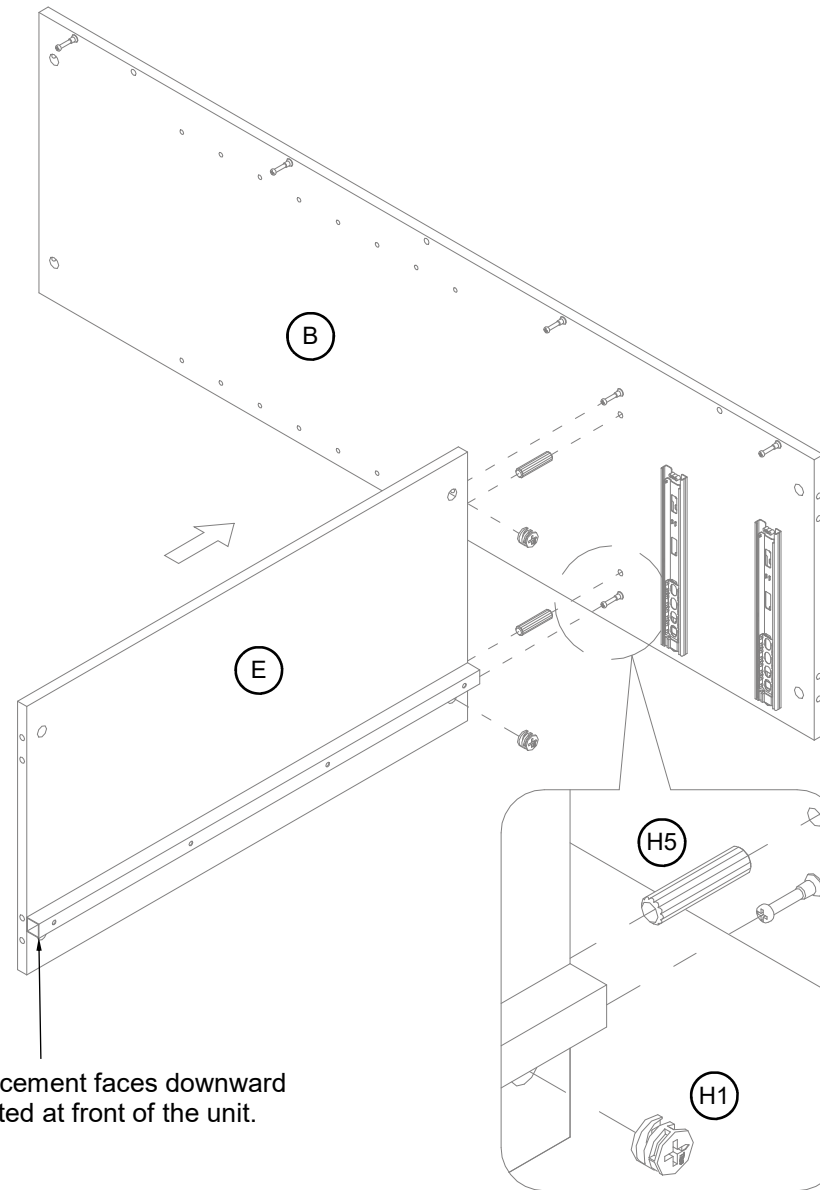
## step 13: attach fixed shelf

---



**(H1) x 2**  
large cam lock

**(H5) x 2**  
M8 x 30 mm wood dowel

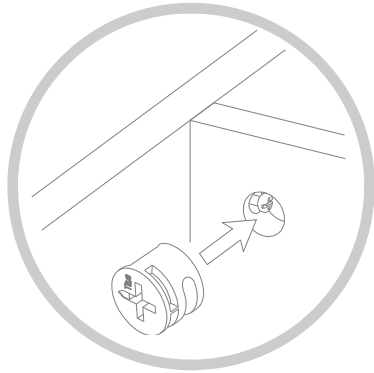


13.1. Insert two large wood dowels (H5) into the left inner holes on the fixed shelf (E) and attach it to the left side panel (B) by engaging two large cam locks (H1) as shown.

# step 14: attach one back panel

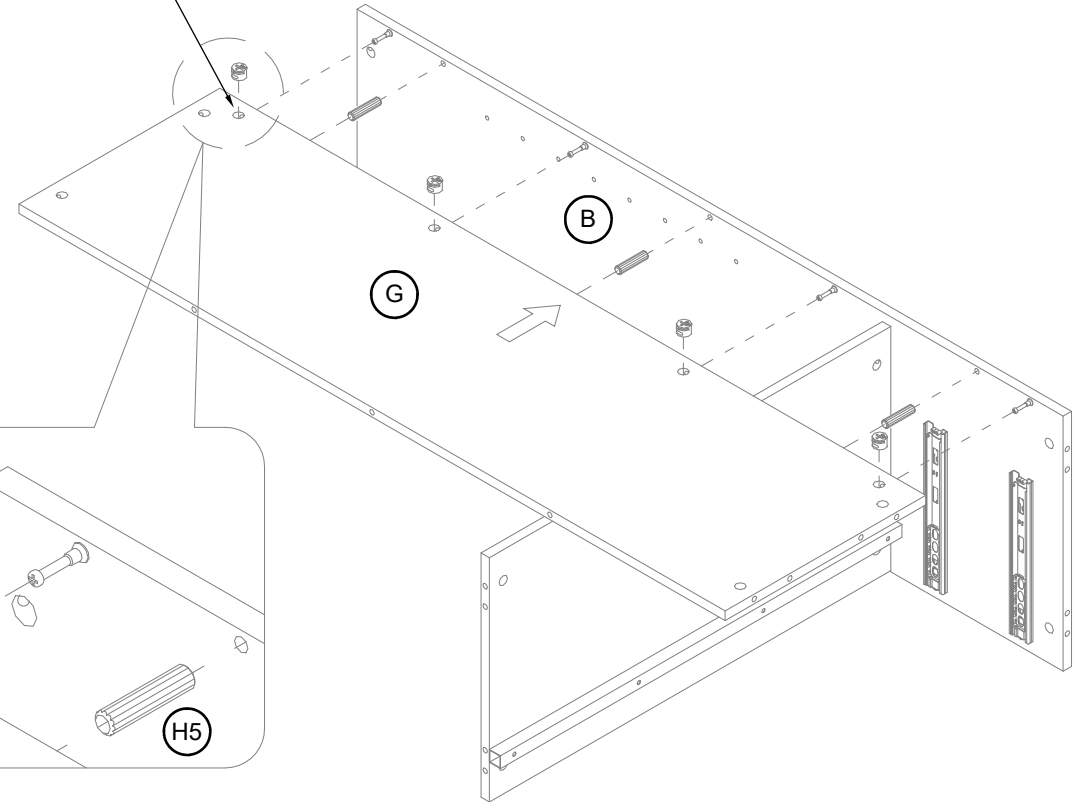
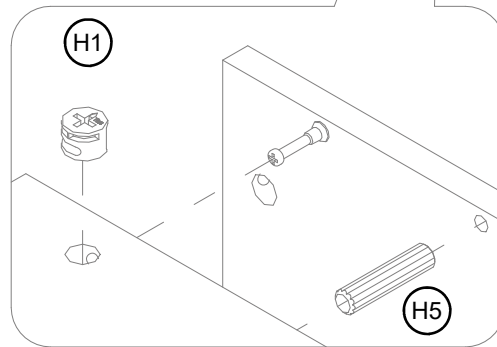
---

The cam locks face outward.



**(H1) x 4**  
large cam lock

**(H5) x 3**  
M8 x 30 mm wood dowel

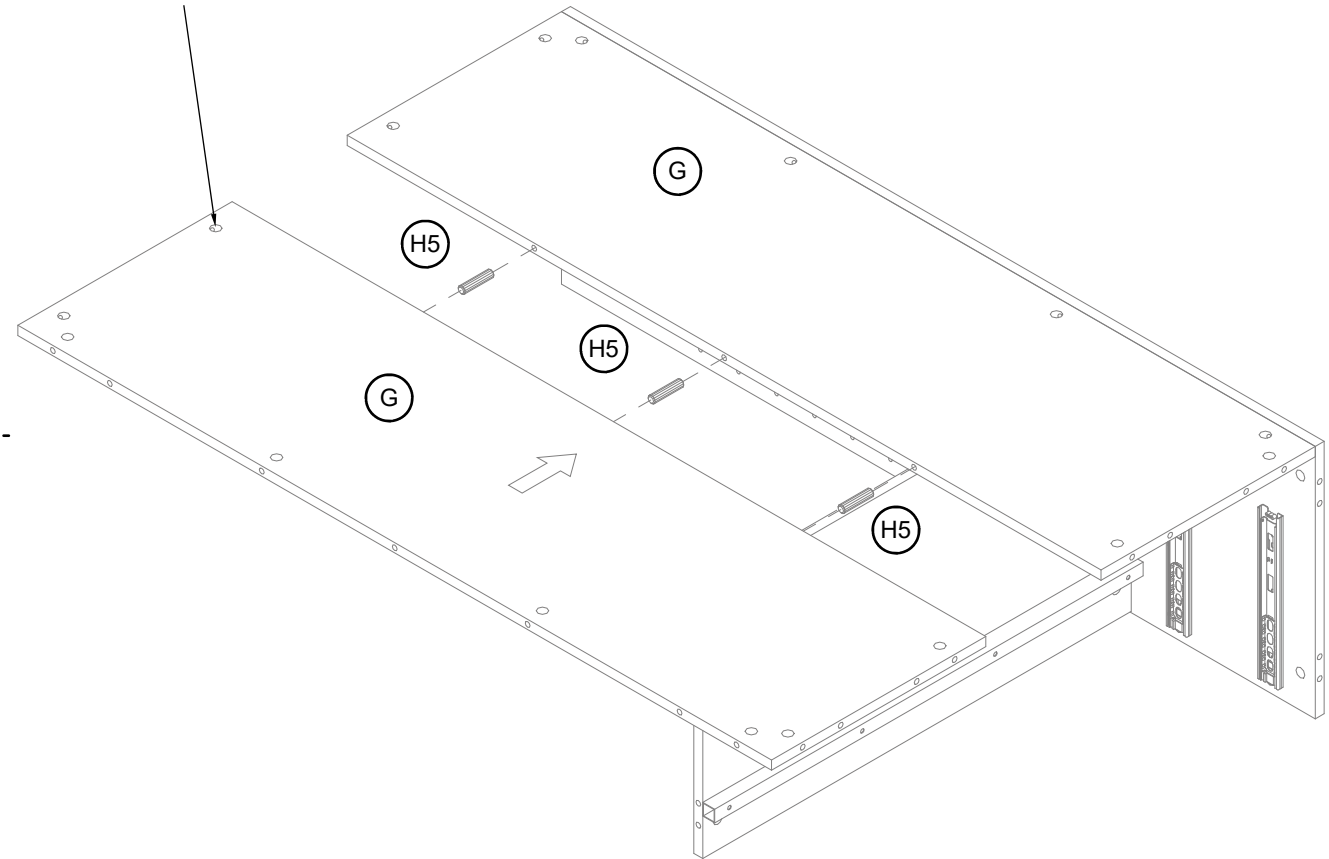


14.1. Attach one back panel (G) to the left side panel (B) using four cam locks (H1) and three large wood dowels (H5).

## step 15: attach the other back panel

---

The cam lock housing face upward.



---

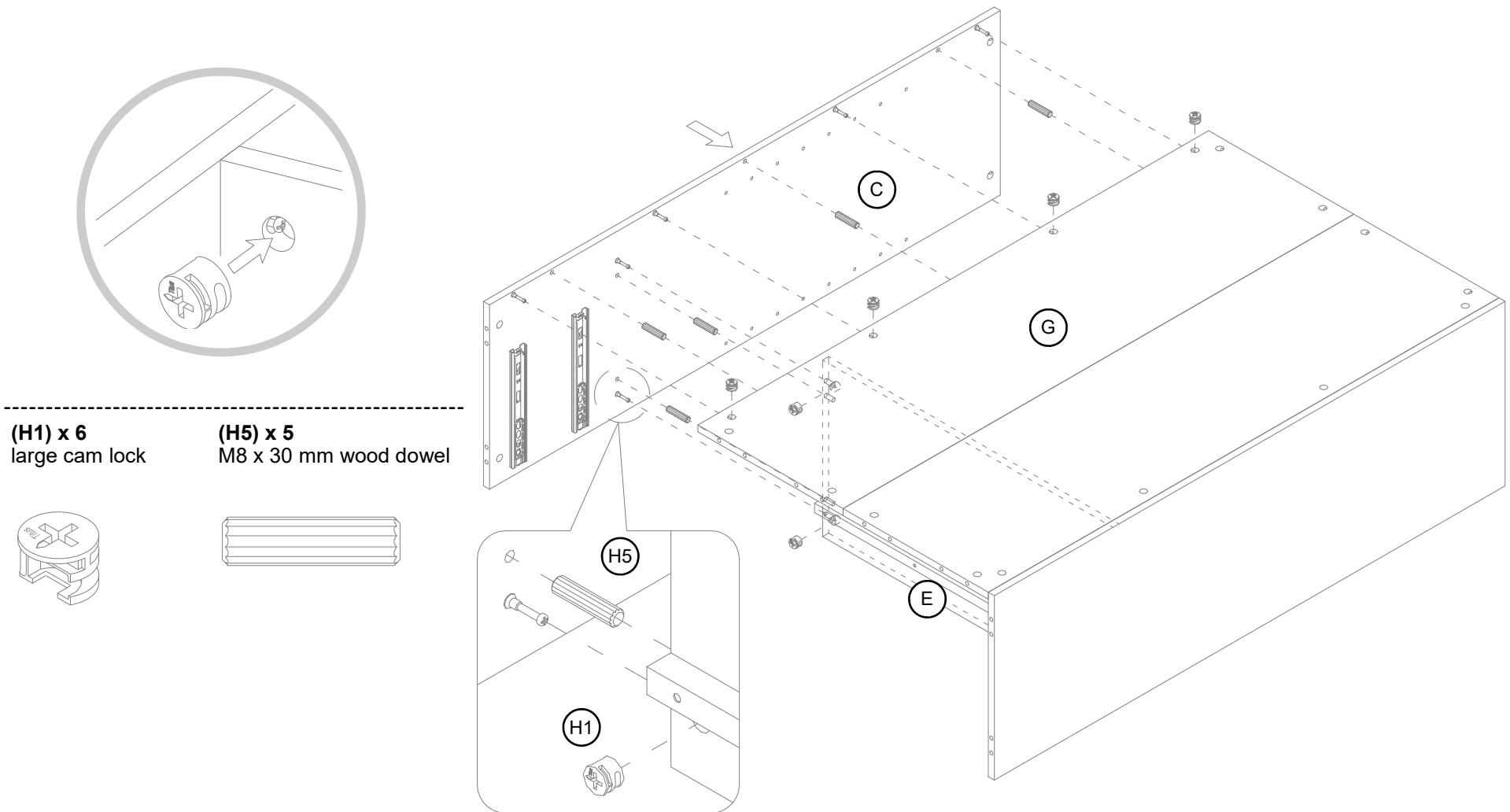
**(H5) x 3**  
M8 x 30 mm wood dowel



15.1. Orient and attach the other back panel (G) to the assembled back panel (G) with three large wood dowels (H5).

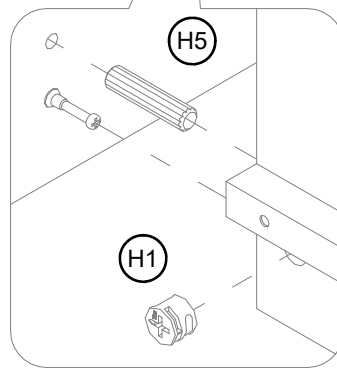
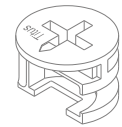
## step 16: attach right side panel

---



**(H1) x 6**  
large cam lock

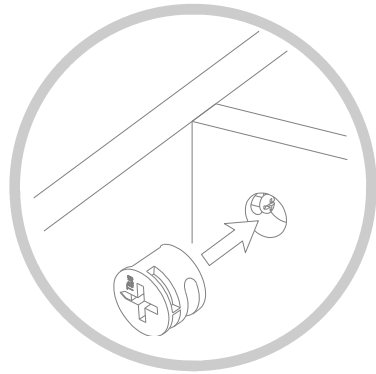
**(H5) x 5**  
M8 x 30 mm wood dowel



16.1. Insert five wood dowels (H5) into the inners holes on the right side panel (C) and attach it to the fixed shelf (E) and back panel (G) by engaging six large cam locks (H1).

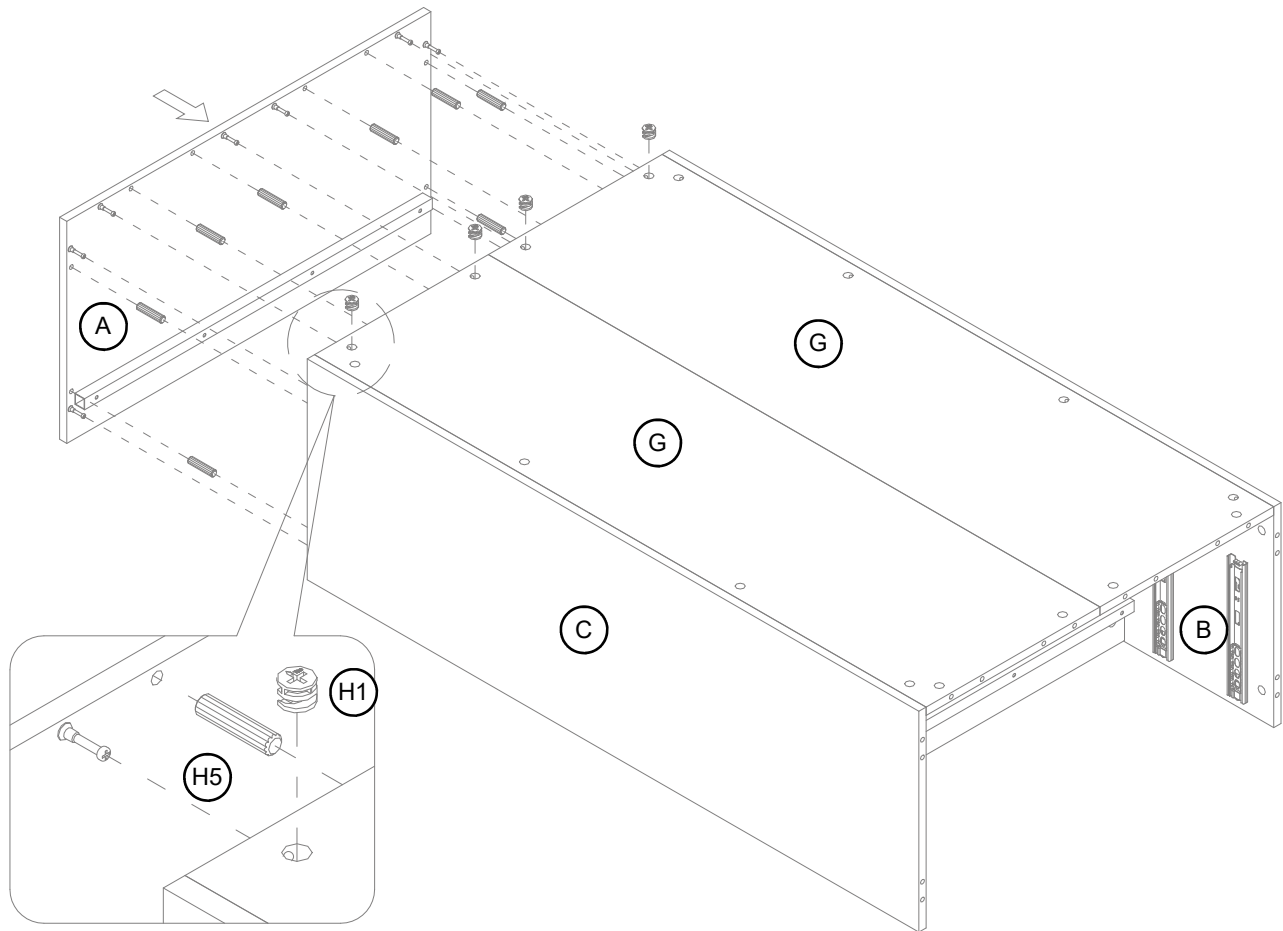
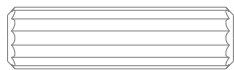
## step 17: attach top panel

---



**(H1) x 4**  
large cam lock

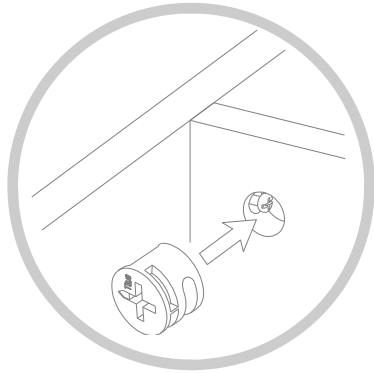
**(H5) x 8**  
M8 x 30 mm wood dowel



- 17.1. Insert eight wood dowels (H5) into the inner holes on both side panels (B and C) and the back panels (G).
- 17.2. Align and attach the top panel (A) onto the installed wood dowels and tighten it to the back panels (G) with four large cam locks (H1).

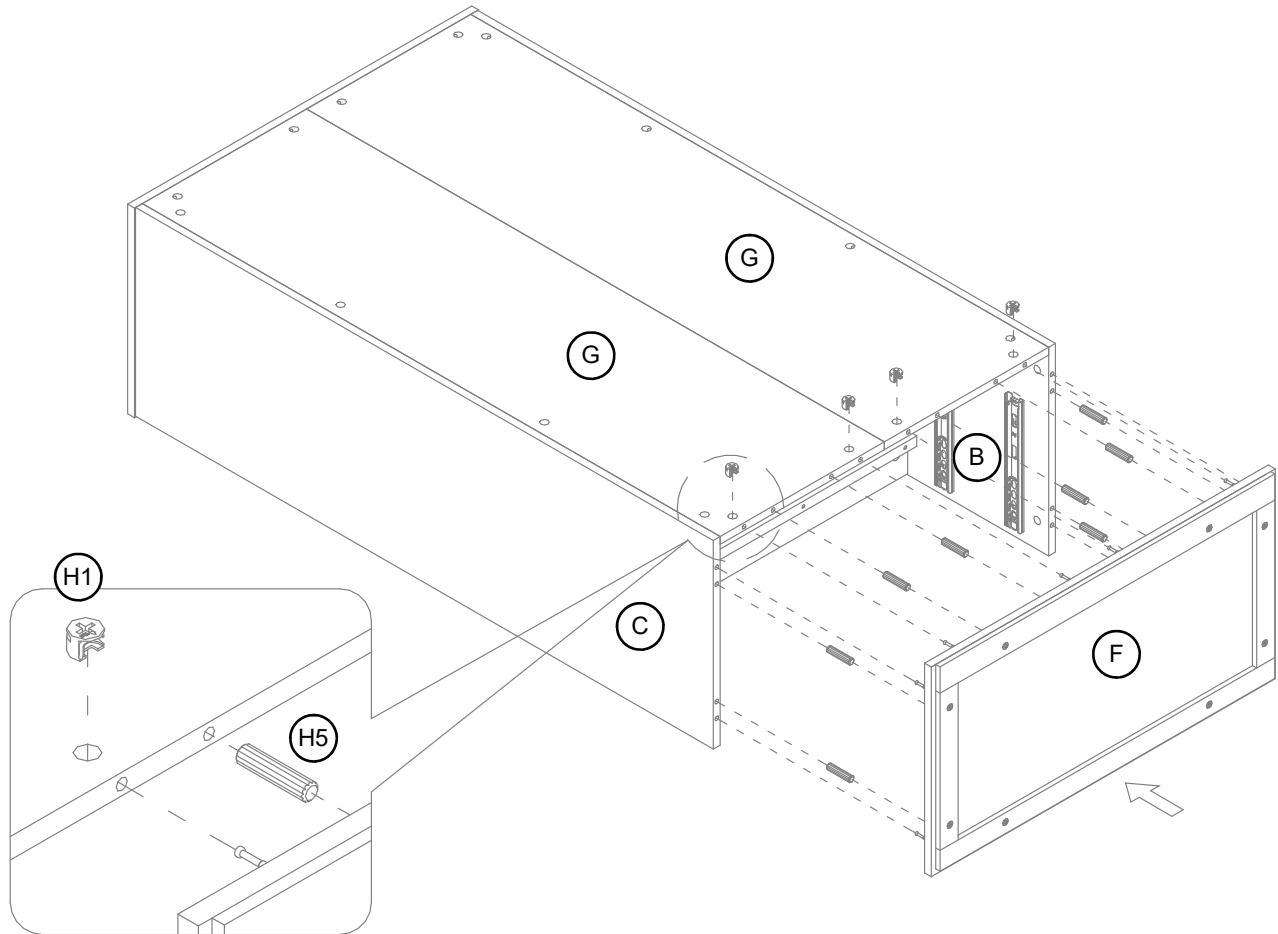
## step 18: attach bottom panel

---



**(H1) x 4**  
large cam lock

**(H5) x 8**  
M8 x 30 mm wood dowel

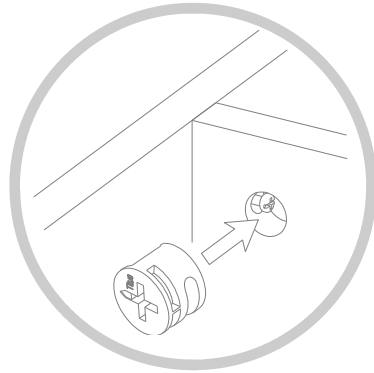


18.1. Repeat the same process to attach the bottom panel (F) to the previous assembly.

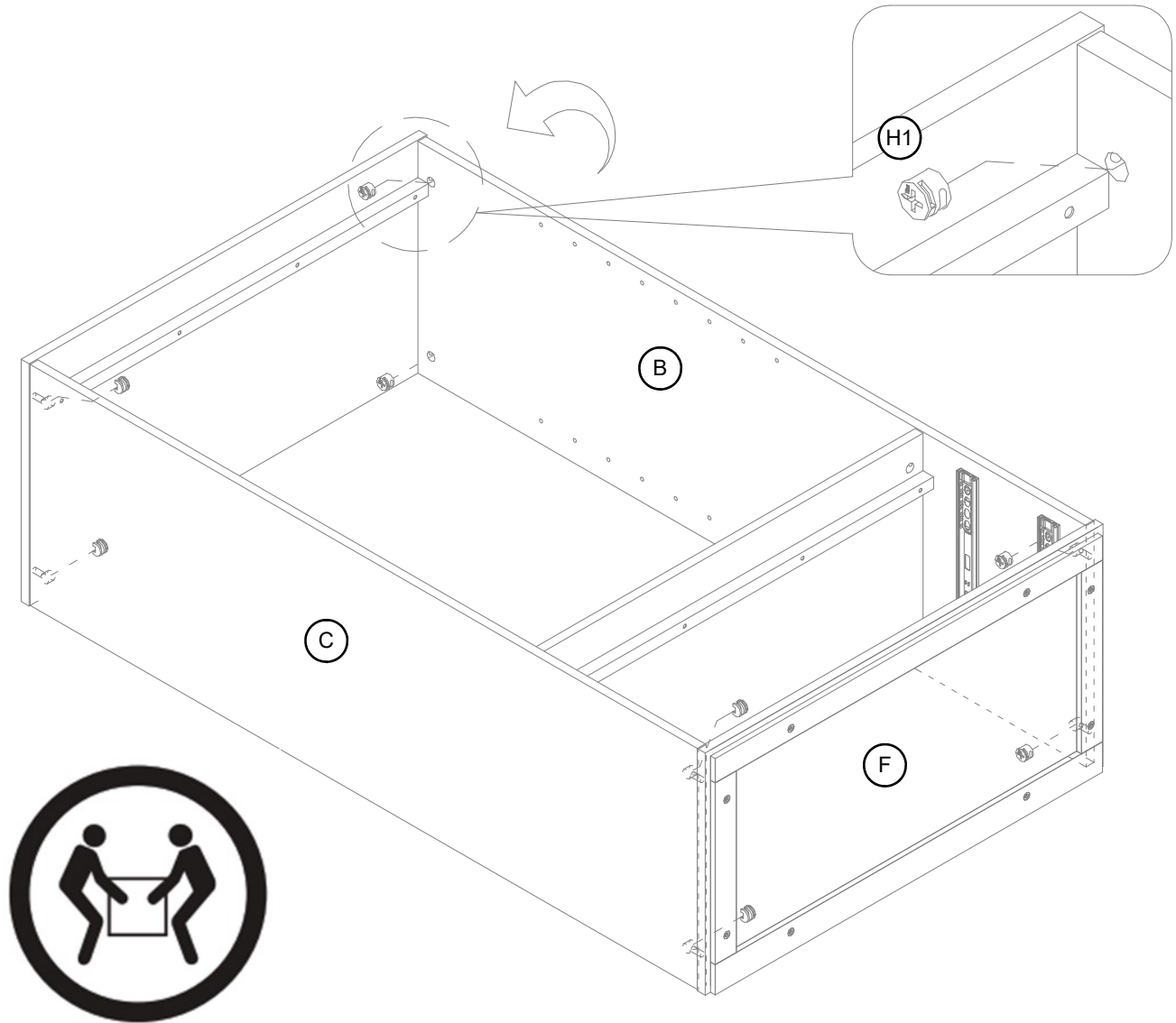


## step 19: fasten top and bottom panel to the side panels

---



**(H1) x 8**  
large cam lock

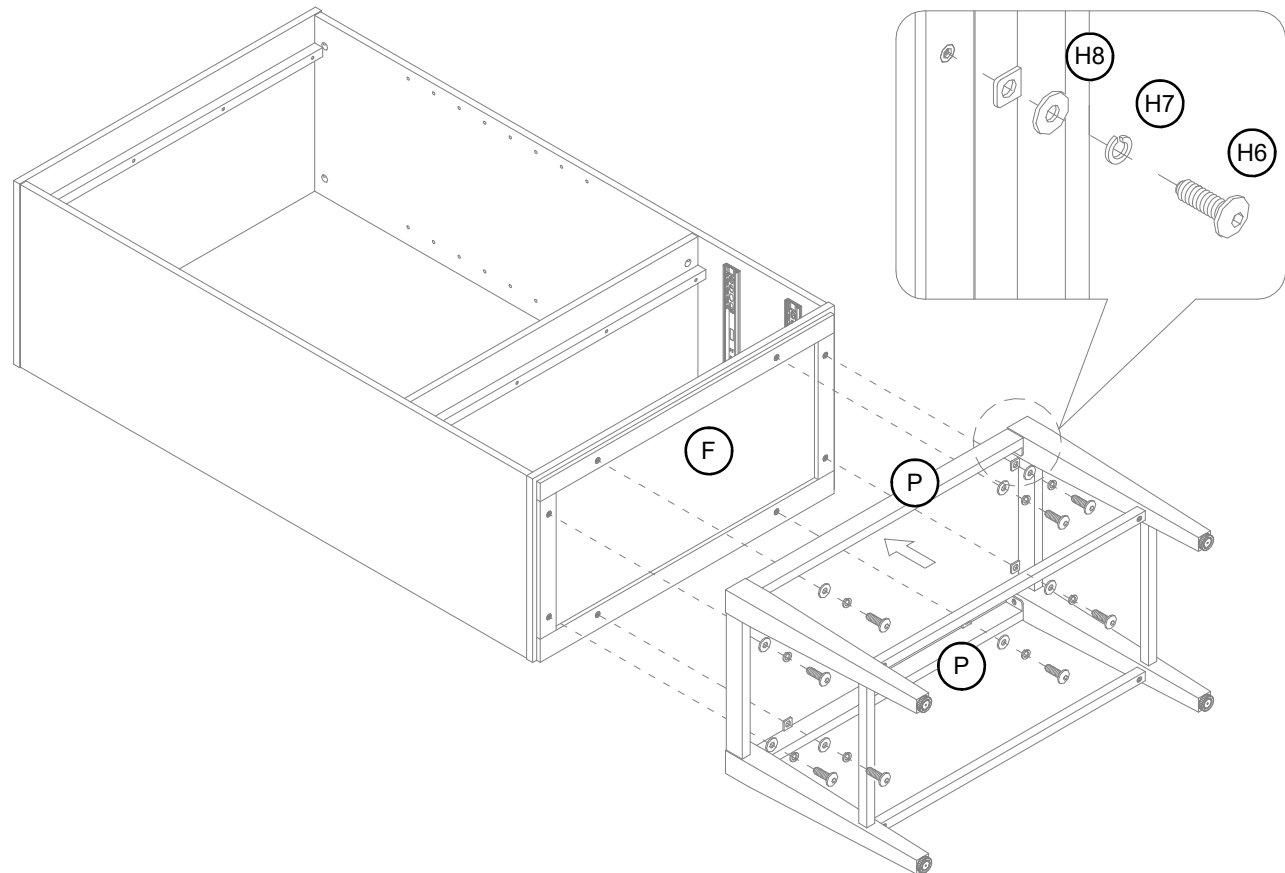


- 19.1. Ask for assistance to turn the assembled unit on its back edges.
- 19.2. Fasten the top panel (A) and bottom panel (F) to the side panels (B and C) with eight cam locks (H1).

## step 20: attach the base assembly

---

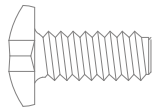
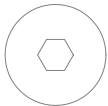
**NOTE:** DO NOT fully tighten all cam locks and screws until you finish assembling all parts. Once assembled, go back and fully tighten all bolts. This will make the assembly easier.



---

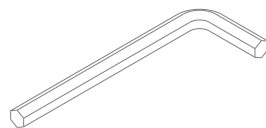
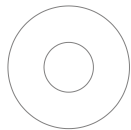
**(H6) x 8**  
1/4 x 15mm bolt

**(H7) x 8**  
lock washer



**(H8) x 8**  
flat washer

**(H14) x 1**  
hex wrench



- 20.1. Insert eight 1/4" bolts (H6) with the washers (H7 and H8) through the metal tabs on both base side frames (O) and base upper stretchers (P) and securely screw into the threaded inserts on the bottom panel (F).
- 20.2. Set the floor levelers to the correct height.

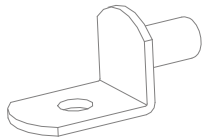
## step 21: install the adjustable shelves and put the cam lock covers

---

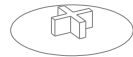


**CAUTION:** Heavy! You may need assistance with this step.

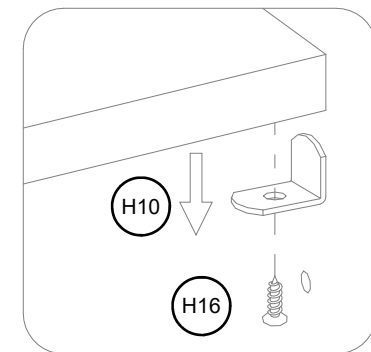
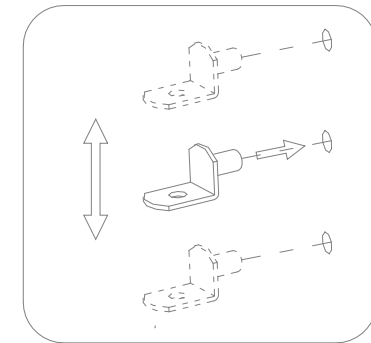
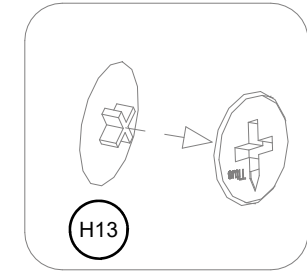
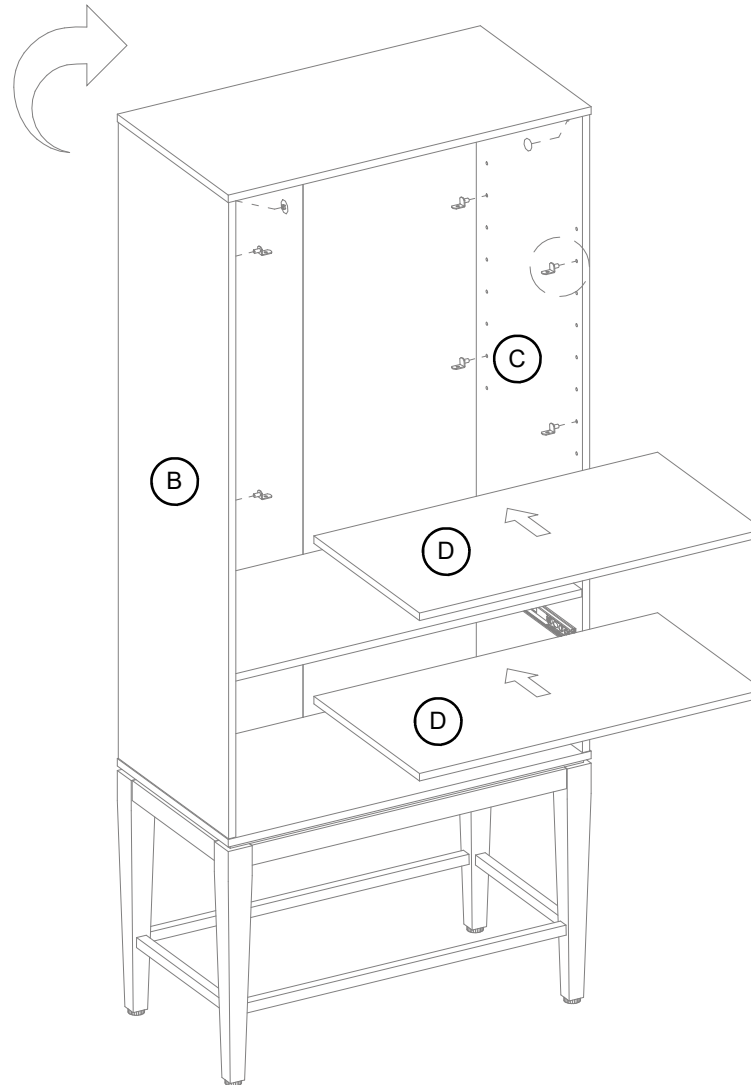
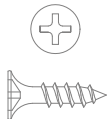
**(H10) x 8**  
shelf support



**(H13) x 4**  
cam lock cover



**(H16) x 8**  
M3.5 x 12mm screw



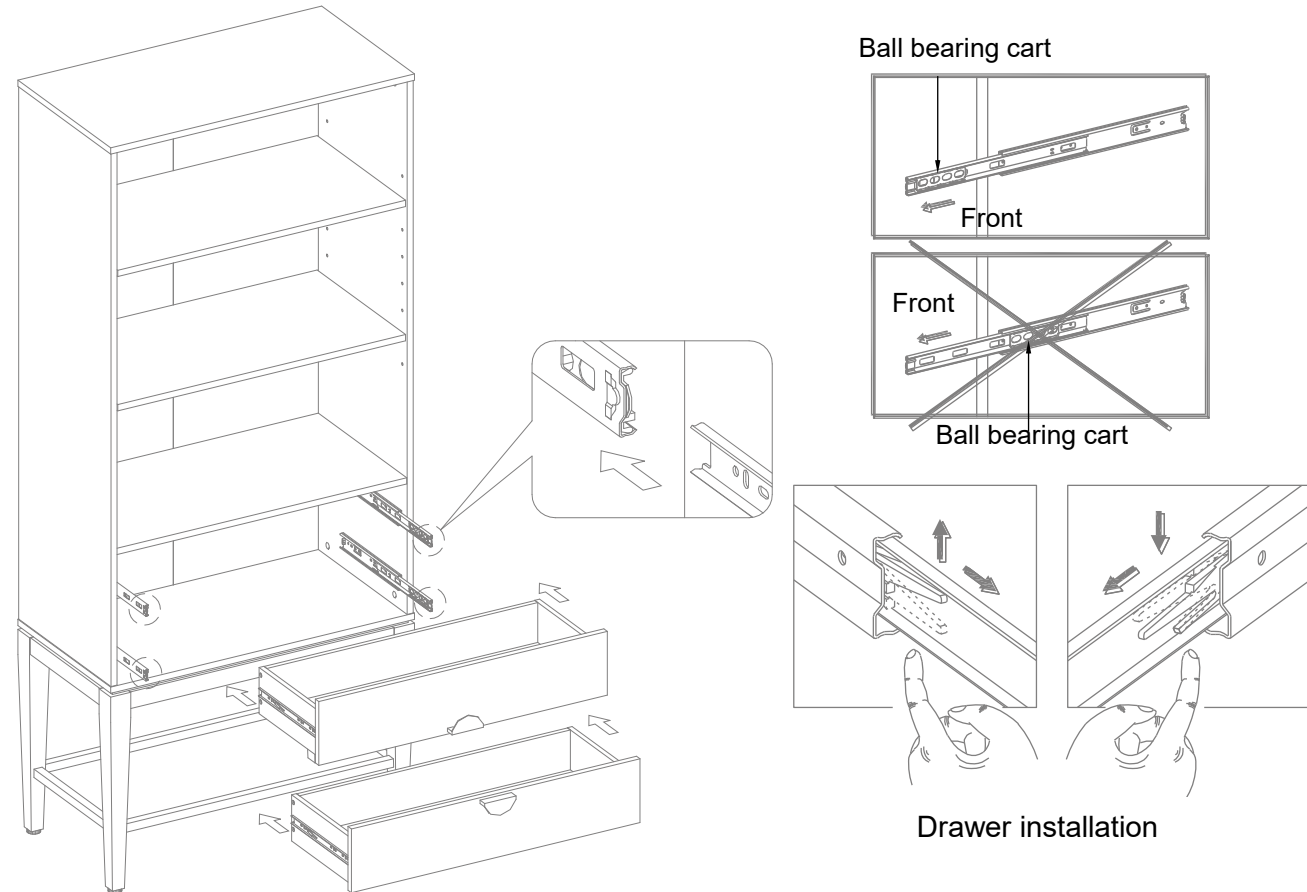
21.1. Ask for assistance to lift the assembled unit upright and position it near the final location.

21.2. Insert eight shelf supports into the holes on the side panels (B and C) at the same level. Make sure you place the four shelf supports (H10) at the same level to level the shelf. Tilt and rest the adjustable shelves (D) onto the shelf supports. Secure the shelves with the 12mm screws (H16) for extra support.

21.3. Plug the cam lock covers (H13) onto the visible cam locks to conceal the cams.

## step 22: install the drawers

---



22.1. To insert the assembled drawers into the frame, extend the ball bearing slide tracks on the unit all the way forward (including ball bearing cart). Then align the slide runners on the assembled drawers with the slide tracks and push the drawer carefully inside until it stops.

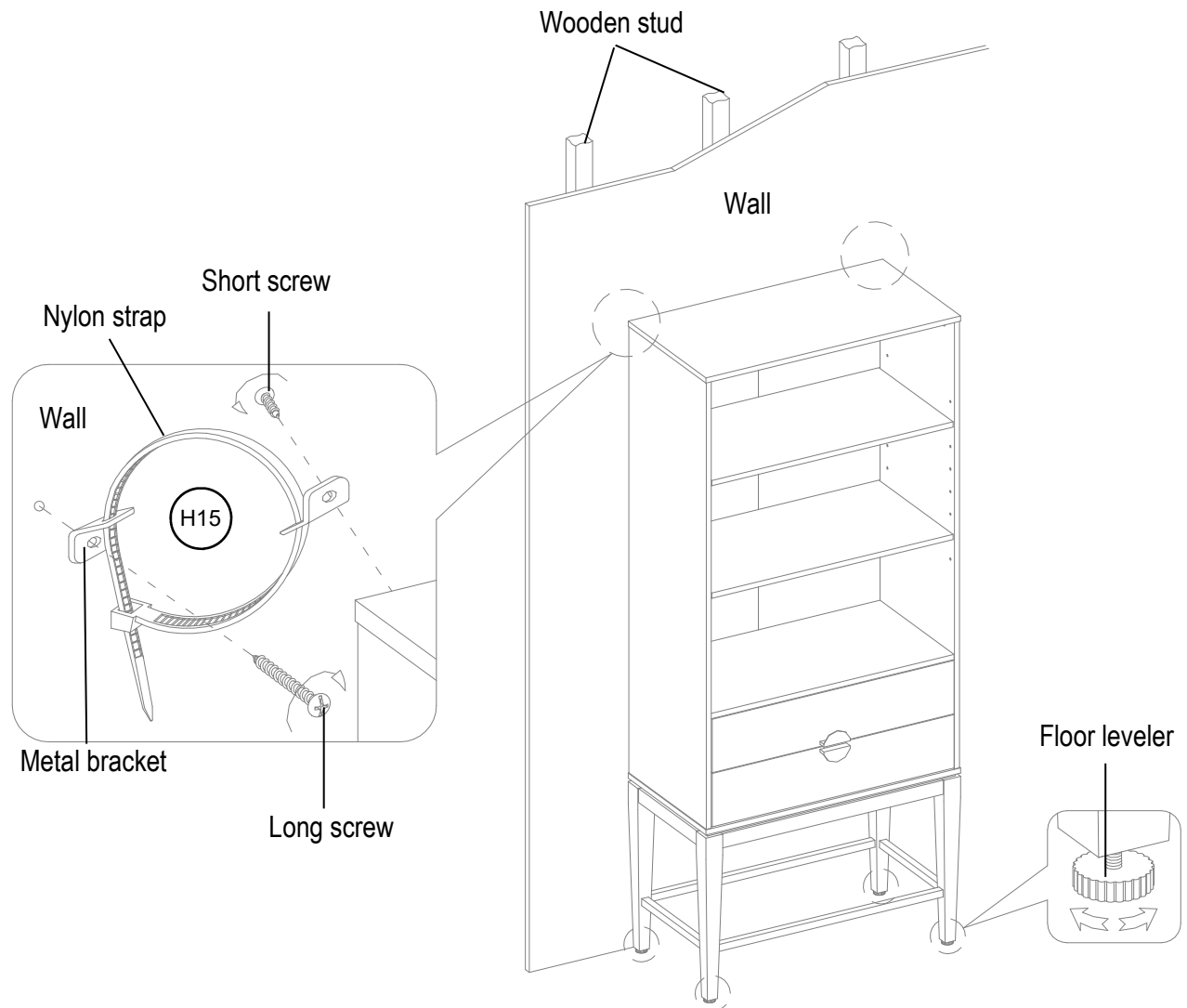
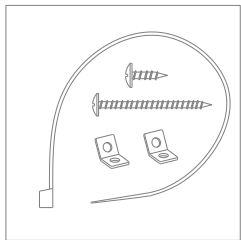
**NOTE:** If the drawer does not go in smoothly, please take it out and repeat the step. If you need to remove the drawer, please pull the drawer all the way out, then simultaneously push the plastic release lever of the ball bearing slides up on one side and down on the other side, and then pull it completely out.

## step 23: attach tipping restraint hardware

---



(H15) x 2  
tipping restraint hardware kit  
(inside plastic bag)



Tools required: Phillips screwdriver, stud finder, tape measure, pencil, power drill and 1/8" drill bit.

23.1. Adjust the pre-attached floor levelers to level the unit against a wall.

23.2. Follow the instructions printed on plastic bag containing tipping restraint hardware to attach tip-over restraint between the unit and the wall.

**NOTE:** You must use this tipping restraint to attach this unit to the wall, to prevent accidents and / or injuries.

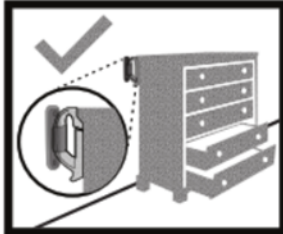


# FURNITURE TIPPING RESTRAINT

YOUNG CHILDREN MAY BE INJURED BY TIPPING FURNITURE AND YOU MUST USE THIS TIPPING RESTRAINT TO ATTACH THIS UNIT TO THE WALL, TO PREVENT ACCIDENTS AND/OR INJURIES.

THIS HARDWARE, MUST BE PROPERLY INSTALLED (FOLLOW ALL DIRECTIONS IN ORDER ON THIS INSTRUCTIONS), TO PROVIDE PROTECTION AGAINST THE UNEXPECTED TIPPING OF FURNITURE DUE TO IMPROPER USE.

THIS PRODUCT IS ONLY A DETERRENT. IT IS NOT A SUBSTITUTE FOR PROPER ADULT SUPERVISION. USE OF TIP-OVER RESTRAINTS MAY ONLY REDUCE, BUT NOT ELIMINATE, THE RISK OF TIP-OVER.

**⚠ WARNING**



**Children have died from furniture tip over. To reduce the risk of tip over:**

- ALWAYS secure this furniture to the wall using an anti-tip device.
- NEVER allow children to stand, climb or hang on drawers, doors, or shelves.
- Do not defeat or remove the drawer interlock system.
- Place heaviest items in the lowest drawers.
- NEVER put a TV on this furniture.

## Care and Maintenance

- Use a soft, clean cloth that will not scratch the surface when dusting.
- Use of furniture polish is not necessary. Should you choose to use polish, test first in an inconspicuous area.
- Using solvents of any kind on your furniture may damage the finish.
- Never use water to clean your furniture as it may cause damage to the finish.
- Always use coasters under beverage glasses and flowerpots.
- Liquid spills should be removed immediately. Using a soft, clean cloth, blot the spill gently. Avoid rubbing.
- Always use protective pads under hot dishes and plates. Heat can cause chemical changes that may create spotting within the furniture finish.
- Stains or marks from crayons or ink markers will be difficult to remove.
- In the event that your furniture is stained or otherwise damaged during use, we recommend that you call a professional to repair your furniture.
- Check bolts/screws and nuts periodically and tighten them if necessary.

## Further Advice about Wood Furniture Care

It is best to keep your furniture in a climate-controlled environment. Extreme temperature and humidity changes can cause fading, warping, shrinking and splitting of wood. It is advised to keep furniture away from direct sunlight as sun may damage the finish.

Proper care and cleaning at home will extend the life of your purchase. Following these important and helpful tips will enhance your furniture as it ages.

We hope you enjoy your purchase for many years.  
Thank you for your purchase!

## QUALITY GUARANTEE

We are confident that you will be delighted with your Whalen Furniture purchase.

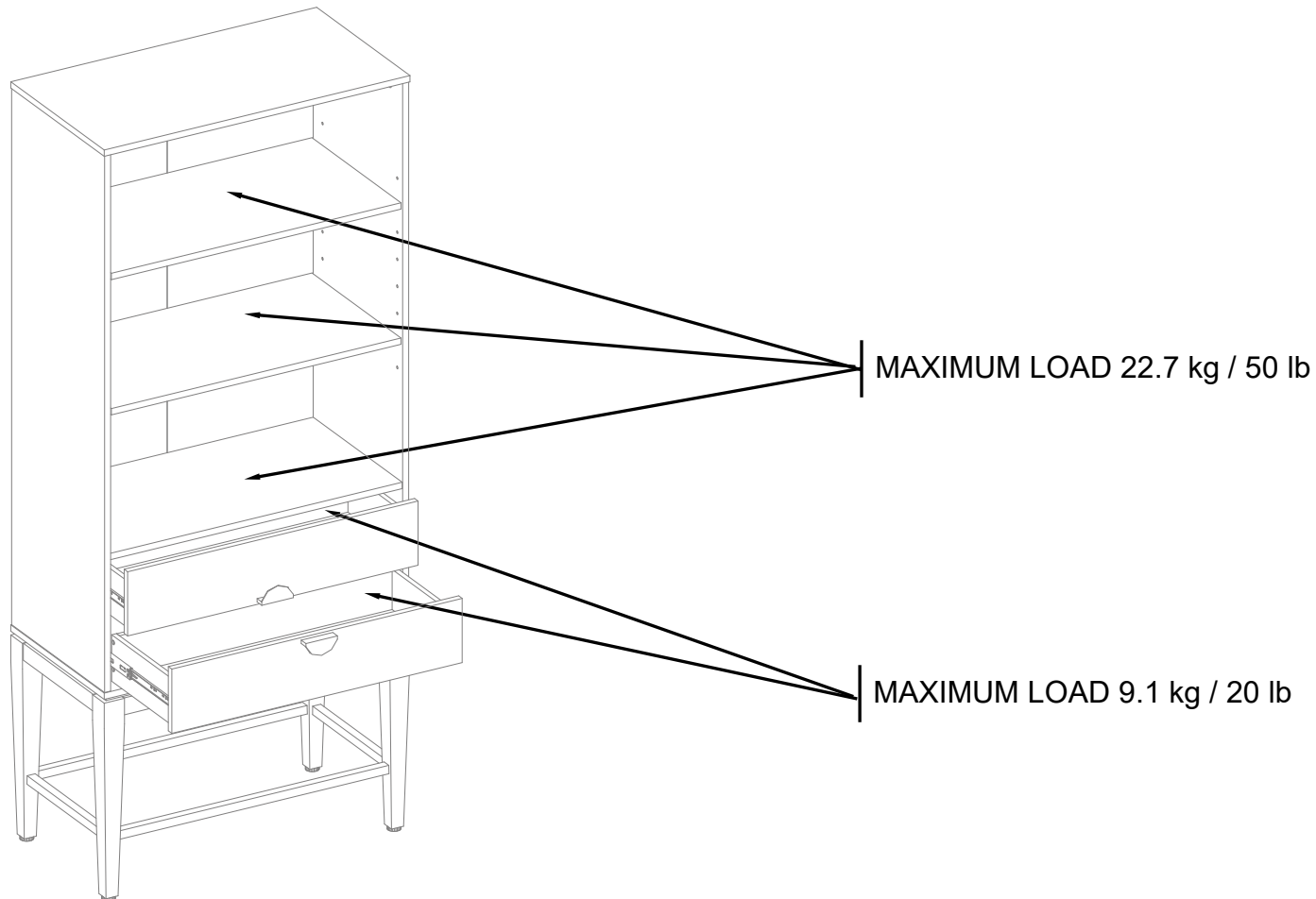
Should this product be defective in workmanship or materials or fail under normal use, we will repair or replace it for up to one (1) year from date of purchase. Every Whalen Furniture product is designed to meet your highest expectations. We guarantee that you will immediately see the value of our fine furniture.

This warranty gives you specific al rights and you may also have other rights which vary from state to state or province to province.

Customer Service: 1-855-MYTGTHOME (855-698-4846)  
8:30 a.m. - 4:30 p.m., PST, Monday to Friday  
[www.whalenfurniture.com](http://www.whalenfurniture.com)

## MAXIMUM RECOMMENDED WEIGHT LOADS

MANUFACTURER: Whalen Furniture Manufacturing  
CATALOG: Marvale Bookcase with Drawer  
MODEL # TGT70BK



### **⚠ WARNING**

THIS UNIT IS INTENDED ONLY FOR USE WITHIN THE MAXIMUM WEIGHTS INDICATED. USE WITH LOADS HEAVIER THAN THE MAXIMUM WEIGHTS INDICATED MAY RESULT IN INSTABILITY, CAUSING POSSIBLE INJURY.



The maximum recommended weight allowance is 22.7 kg / 50 lb for the top panel and shelves.  
The maximum recommended weight allowance is 9.1 kg / 20 lb for the drawers.

 **WARNING**

Please use your furniture correctly and safely. Improper use can cause safety hazards, or damage to your furniture or household items. Carefully read the following safety information.

Death or serious injury may occur when children climb on audio and/or video equipment furniture. A remote control or toys placed on the furnishing may encourage a child to climb on the furnishing and as a result may tip over onto the child.

**NEVER** allow children to climb or play with the TV or furnishing supporting the TV.

**NEVER** place toys, food, remote, etc. on top of the TV or TV furnishing.

**ALWAYS** use either the safety hardware as instructed or other wall anchoring device.

Relocating audio and/or video equipment to furniture not specifically designed to support audio and/or video equipment may result in death or serious injury due to furniture collapse or over turning onto a child.

**NEVER** place a TV on furniture that is not intended to support a TV.

**NEVER** exceed the maximum size and weight of the TV shown in the instructions.

Be sure to refer to the TV warning label as shown in the instructions.

Overloading drawers and shelves may result in furniture that can break or sag, or tip-over which may result in injury.

**NEVER** exceed the weight limits shown in the instructions.

Place the heavier items on lower shelves as far back from the front as possible.

Load the bottom surfaces first to avoid top-heavy furniture.

Moving furniture that is not designed to be moved or equipped with casters may result in injury or damage to furnishings or personal property.

**ALWAYS** unload shelves and drawers, starting with the top surfaces, before moving.

**NEVER** push or pull furniture on carpet. Have a friend help lift properly to move and/or reposition it.

The unit is not meant as a seat and no one should be sitting or standing on the unit.