



VANITY ASSEMBLY INSTRUCTIONS

THANK YOU FOR YOUR PURCHASE !

FOR PARTS REPLACEMENT REQUEST, PLEASE CONTACT US AT 1-866 9425362

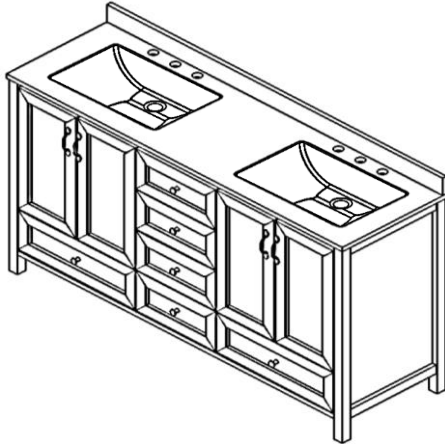
OR EMAIL: PARTS@WHALENFURNITURE.COM

READ ALL THE INSTRUCTIONS AND IDENTIFY ALL COMPONENTS AND CHOOSE YOUR CONFIGURATION AND BE SURE YOU HAVE ALL PARTS

TWO PEOPLE ARE NEEDED TO ASSEMBLE

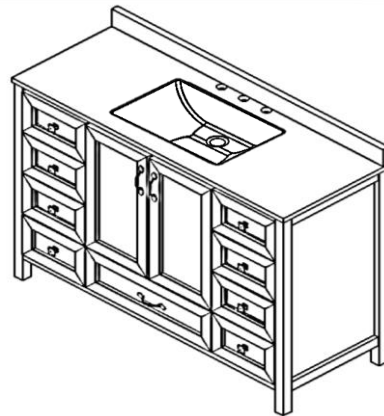
ECBAR60-VW

60" VANITY BARCELONA 6 DRW



ECBAR48-VW

48" VANITY BARCELONA 9 DRW



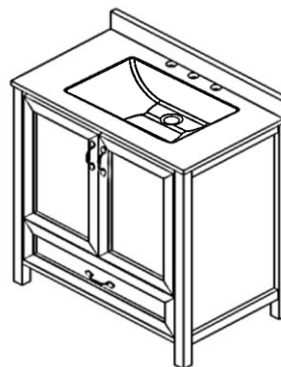
ECBAR36-VW

36" VANITY BARCELONA 4 DWR



ECBAR30-VW

30" VANITY BARCELONA 1 DRW



**TIPS: SEE ILLUSTRATION
BELOW**

TOOLS NEEDED

LIQUIDNAIL GLUE (NOT INCLUDED)

BARCELONA 30"(1 DRAWERS)

ECBAR30-VW 1 DRS VANITY WHITE
ECVAL30-VG 1 DRS VANITY GRAY

BARCELONA 36" (4 DRAWERS)

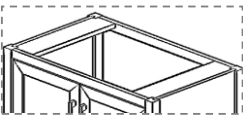
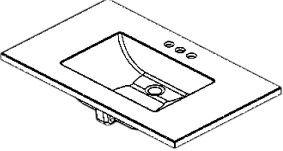
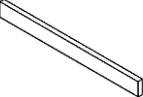


ECBAR36-VW 4 DRW VANITY WHITE
ECVAL36-VG 4 DRW VANITY GRAY

BARCELONA 48" (9 DRAWER)

ECBAR48-VW 9 DRW VANITY WHITE
ECVAL48-VG 9 DRW VANITY GRAY

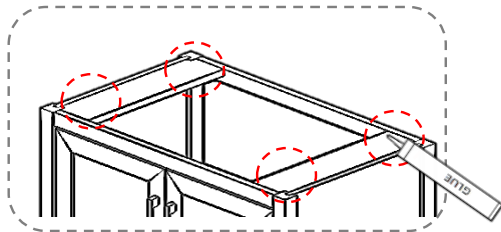
BARCELONA 60" (6 DRAWER)

ECBAR60-VW 6 DRW VANITY WHITE
ECVAL60-VG 6 DRW VANITY GRAY

LIST OF CONTENTS VANITY A.- VANITY (1) B.-SINK (1) C.-BACK SPLASH (1) D.-PANEL (4) E.- GLUE (1)	 (A) VANITY (1 PCS)	 (B) SINK (1 PCS)	 (C) BACK SPLASH (1 PCS)	 (D) PANEL (4 PCS)	NOT INCLUDED  (E) GLUE (1 PCS)
---	---	---	--	--	--

Before beginning:

- 1.- Unpack all parts and hardware to ensure you have all needed components for assembly.
- 2.- Read this guide cover before beginning assembly.
- 3.- Have 2 adults on hand for assembly.
- 4.- Save all packaging until finished.

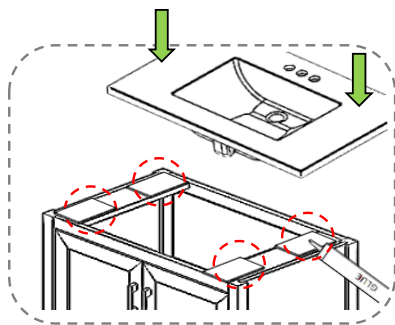
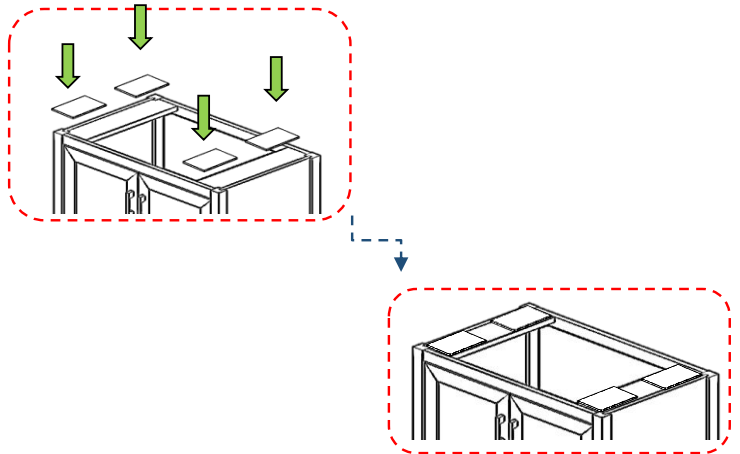


STEP #1

Prepare the glue (E) and place it on the corners of both boards of the vanity (A) as shown in the picture.

STEP #2

-Immediately take four panels (D) and place them on top of the glue previously placed.



STEP #3

-Place the glue (E) on top of the four panels.
-Carefully, place the sink (B) on top of the vanity (A).

STEP #4

-Finally, place glue centered on both sides on top of the sink (B) and flush with the back and immediately place the back splash (C) on top of the glue previously placed. .

