

OMSID # 320084744  
320084750  
320084724

# HOME DECORATORS COLLECTION

Model # HDFP68-51E  
HDFP68-51AE  
HDFP68-51BE

**IMPORTANT / IMPORTANTE**

**Scan for easy  
3D instructions**

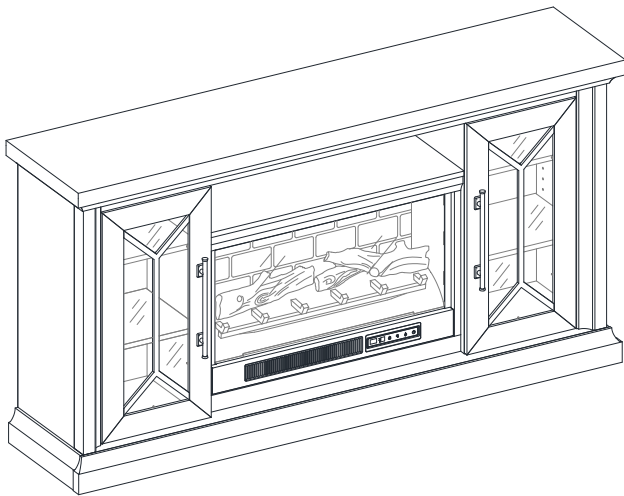


Scannez pour des instructions faciles en 3D  
Escanea para instrucciones fáciles en 3D

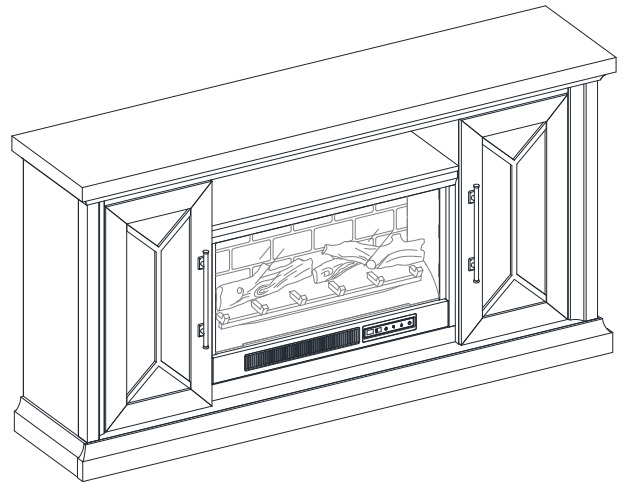


## ASSEMBLY INSTRUCTIONS

### Madison 68in Media Console Infrared Electric Fireplace



OR



Questions, problems, missing parts? Before returning to the store,  
call Home Decorators Collection Customer Service  
8 a.m. - 7 p.m., EST, Monday-Friday  
9 a.m. - 6 p.m., EST, Saturday

1-800-986-3460

**HOMEDEPOT.COM /HOMEDECORATORS**

#### *THANK YOU*

*We appreciate the trust and confidence you have placed in Home Decorators Collection through the purchase of this fireplace console. We strive to continually create quality products designed to enhance your home. Visit us online to see our full line of products available for your home improvement needs. Thank you for choosing Home Decorators Collection!*

# Table of Contents

Table of Contents.....	2	Hardware Included.....	3
Safety Information.....	2	Package Contents.....	4
Maximum Recommended Weight Loads .....	2	<b>Assembly</b> .....	5
Warranty.....	2	<b>Care and Maintenance</b> .....	25
Pre-Assembly .....	2	Caring for Wood Furniture.....	25
Planning Assembly.....	2	Cleaning the Fireplace Trim.....	25
Tools Required .....	2		

# Safety Information

Please read and understand these instructions before assembling and using this console. Save these instructions for future reference.

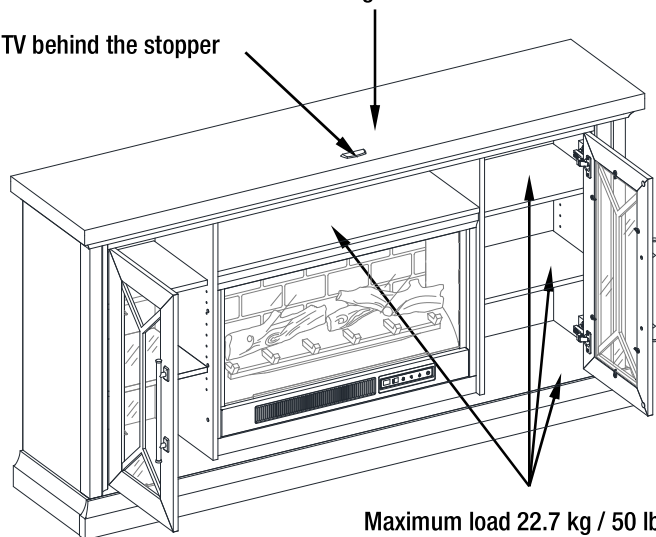
## MAXIMUM RECOMMENDED WEIGHT LOADS



**WARNING:** This unit is not intended for use with CRT TVs. Use only with flat panel TVs and audio/video equipment meeting recommended size and weight limits. Never use with larger/heavier than recommended flat panel TVs or equipment. To avoid instability, place flat panel TV in the centre of the unit; the base of the television must be able to rest on the supporting surface of the unit without over-hanging the edges. Improperly positioned flat panel TVs, or flat panel TVs or other equipment that exceed recommended size and weight limits could fall off or break the unit, causing possible serious injury.

Fits up to most 203.2 cm / 80in. flat panel TVs  
Maximum load 61.2 kg / 135 lb

Place TV behind the stopper



# Warranty

We are confident that you will be delighted with this purchase. Should this product be defective in workmanship or materials, or fail under normal use, we will repair or replace it for a period of up to one (1) year from date of purchase. This warranty gives you specific rights and you may also have other rights which vary from state to state. Contact the Customer Service Team at 1-800-986-3460 or visit [www.HomeDepot.com/homedecorators](http://www.HomeDepot.com/homedecorators).

# Pre-Assembly

## PLANNING ASSEMBLY

Compare all parts with the Hardware Included and Package Contents list. If any part appears missing or damaged, do not assemble this product and contact the Customer Service Team at 1-800-986-3460.

## TOOLS REQUIRED



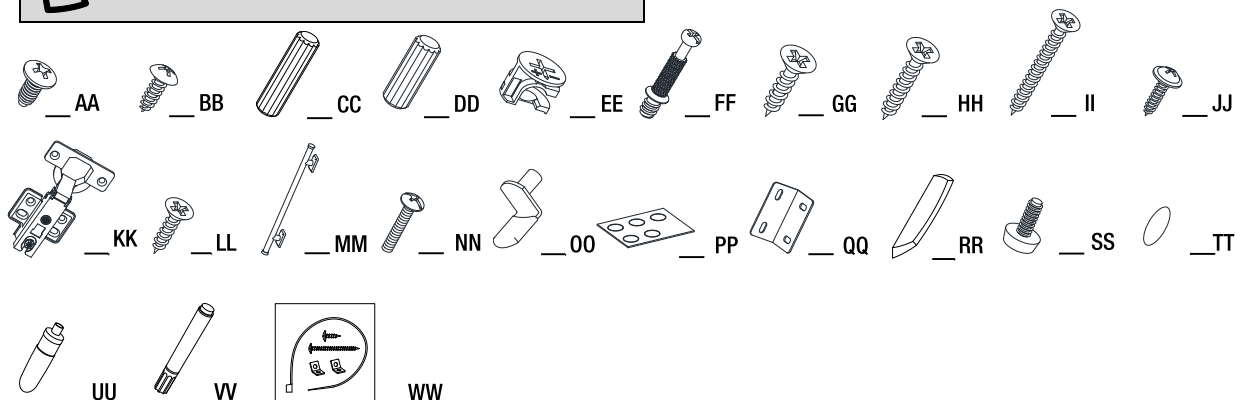
Phillips  
screwdriver  
(not provided)

# Pre-Assembly (continued)

## HARDWARE INCLUDED



**NOTE:** Hardware not shown to actual size.

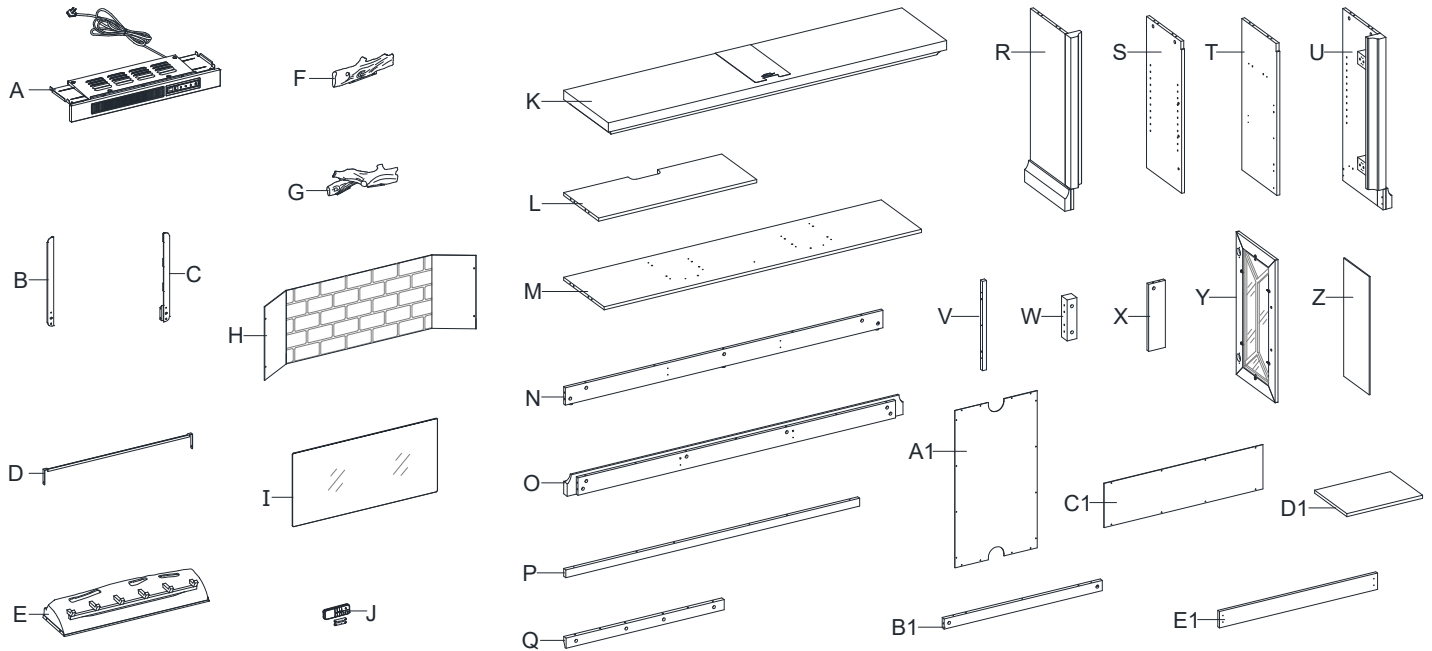


Part	Description	Quantity
AA	Insert screw	10+1 extra
BB	Pan head screw	8+1 extra
CC	Large wood dowel	41+2 extra
DD	Small wood dowel	4+1 extra
EE	Cam lock	39+1 extra
FF	Cam bolt	39+1 extra
GG	Short flat head screw	6+1 extra
HH	Medium flat head screw	8+1 extra
II	Long flat head screw	7+1 extra
JJ	Washer head screw	40+1 extra
KK	Hinge	4
LL	Zinc screw for hinge	24+1 extra

Part	Description	Quantity
MM	Handle	2
NN	Handle bolt	4
OO	Shelf support	16+1 extra
PP	Rubber bumper	4+1 extra
QQ	Mending plate	2
RR	Acrylic stopper	1
SS	Floor leveler	2
TT	Cam lock cover	20+1 extra
UU	Glue	2
VV	Touch-up pen	1
WW	Tipping restraint hardware kit	2

# Pre-Assembly (continued)

## PACKAGE CONTENTS



Part	Description	Quantity
A	Heater	1
B	Left upright arm	1
C	Right upright arm	1
D	Connector strap	1
E	Ember bed	1
F	Left log	1
G	Right log	1
H	Firebox wall panel	1
I	Firebox glass	1
J	Remote control with battery	1
K	Top panel	1
L	Media shelf	1
M	Bottom panel	1
N	Bottom rear stretcher	1
O	Bottom front stretcher	1
P	Top front molding	1

Part	Description	Quantity
Q	Middle top crossbar	1
R	Left side panel	1
S	Left partition panel	1
T	Right partition panel	1
U	Right side panel	1
V	Middle stile	2
W	Support rail	2
X	Bottom support	2
Y	Door with glass insert	2
Z	Wood door insert	2
A1	Side back panel	2
B1	Middle lower crossbar	1
C1	Middle back panel	1
D1	Adjustable shelf	4
E1	Firebox support	1

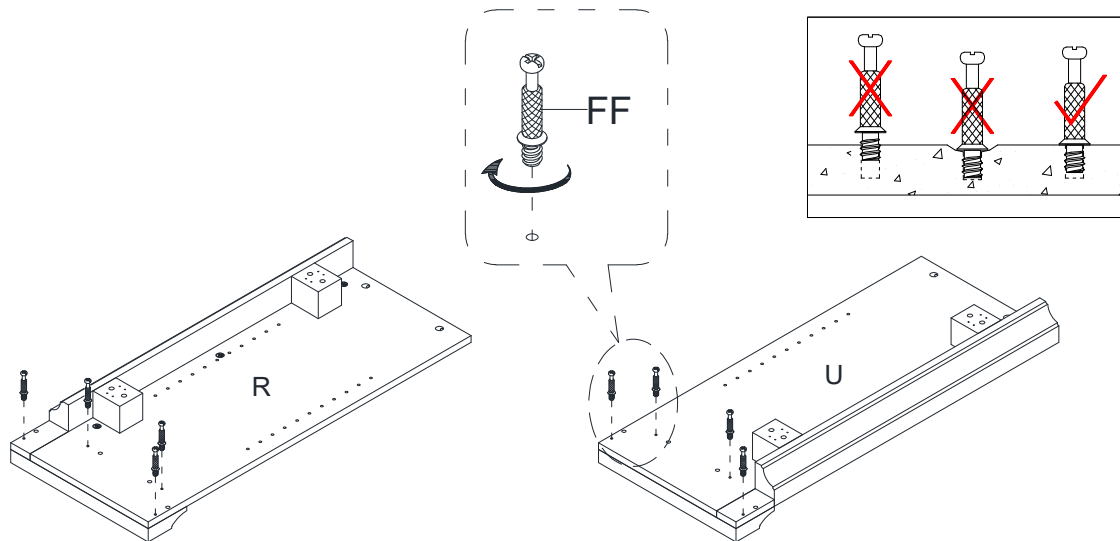
# Assembly

## 1 Screwing the cam bolts



**NOTE:** Do not fully tighten all bolts until you finish assembling all parts. Once assembled, go back and fully tighten all bolts. This will make the assembly easier.

- Unpack the unit and confirm that you have all the hardware and required parts. Assemble the unit on a carpeted floor or the empty carton to avoid any scratches.
- Securely screw the cam bolts (FF) into the designated small holes on the side panels (R and U) using a Phillips screwdriver. **DO NOT** overtighten the cam bolts.

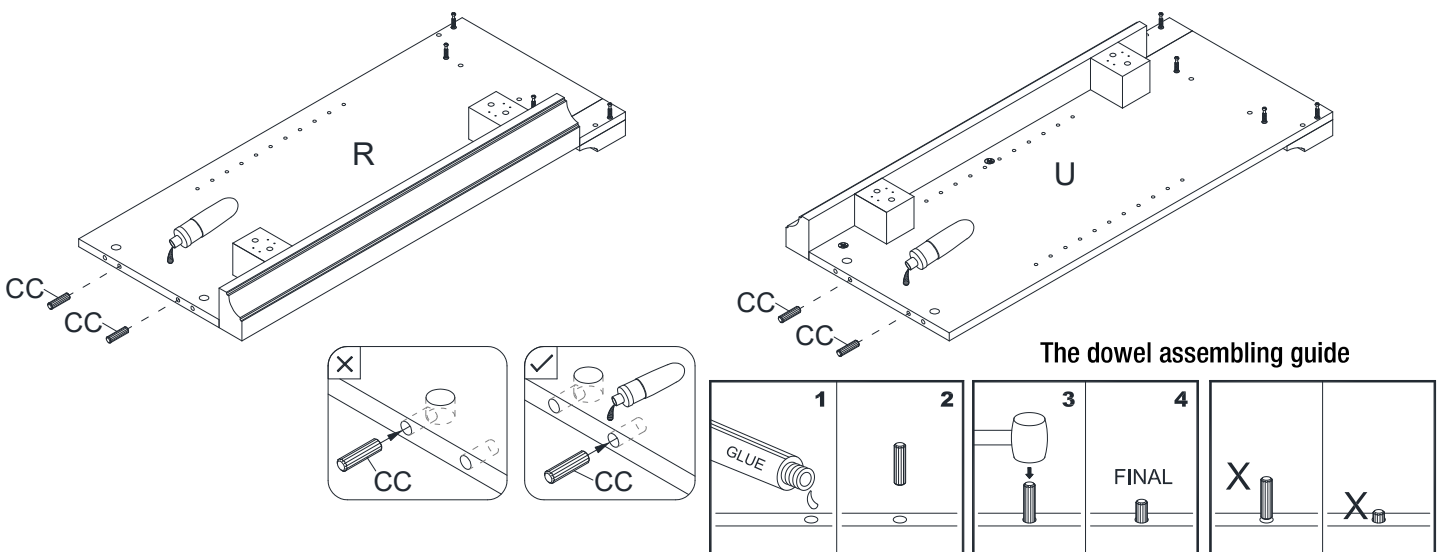


## 2 Gluing the wood dowels



**NOTE:** Refer to the dowel assembling guide drawings in this step for further clarification on how to properly glue in the wooden dowels. Apply this method whenever instructed to install wood dowels.

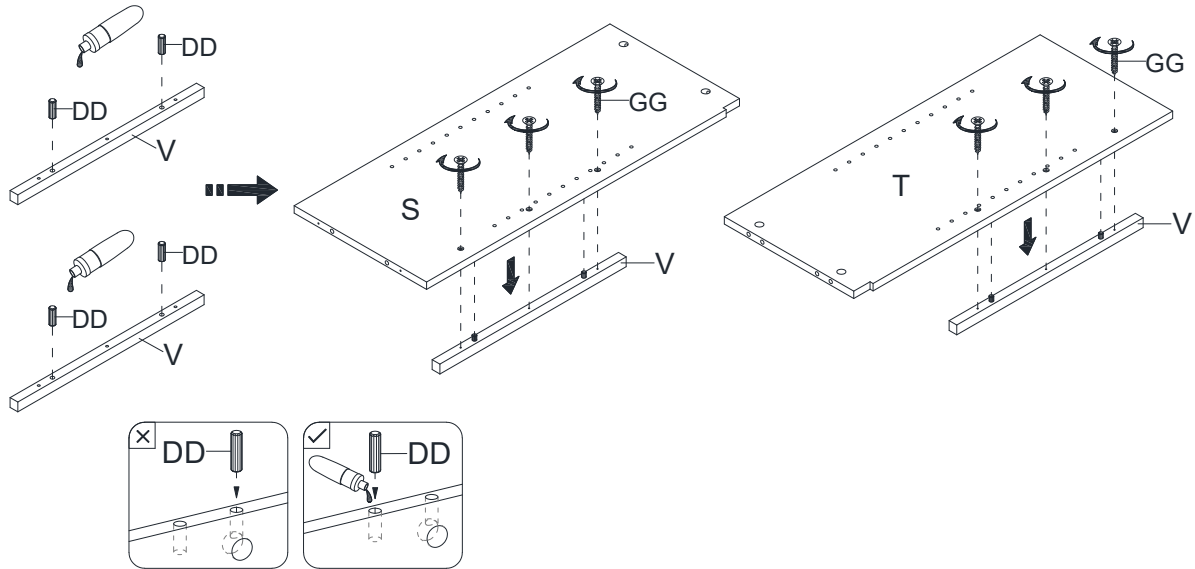
- Glue the large wood dowels (CC) into the inner holes on the side panels (R and U) as shown.



## Assembly (continued)

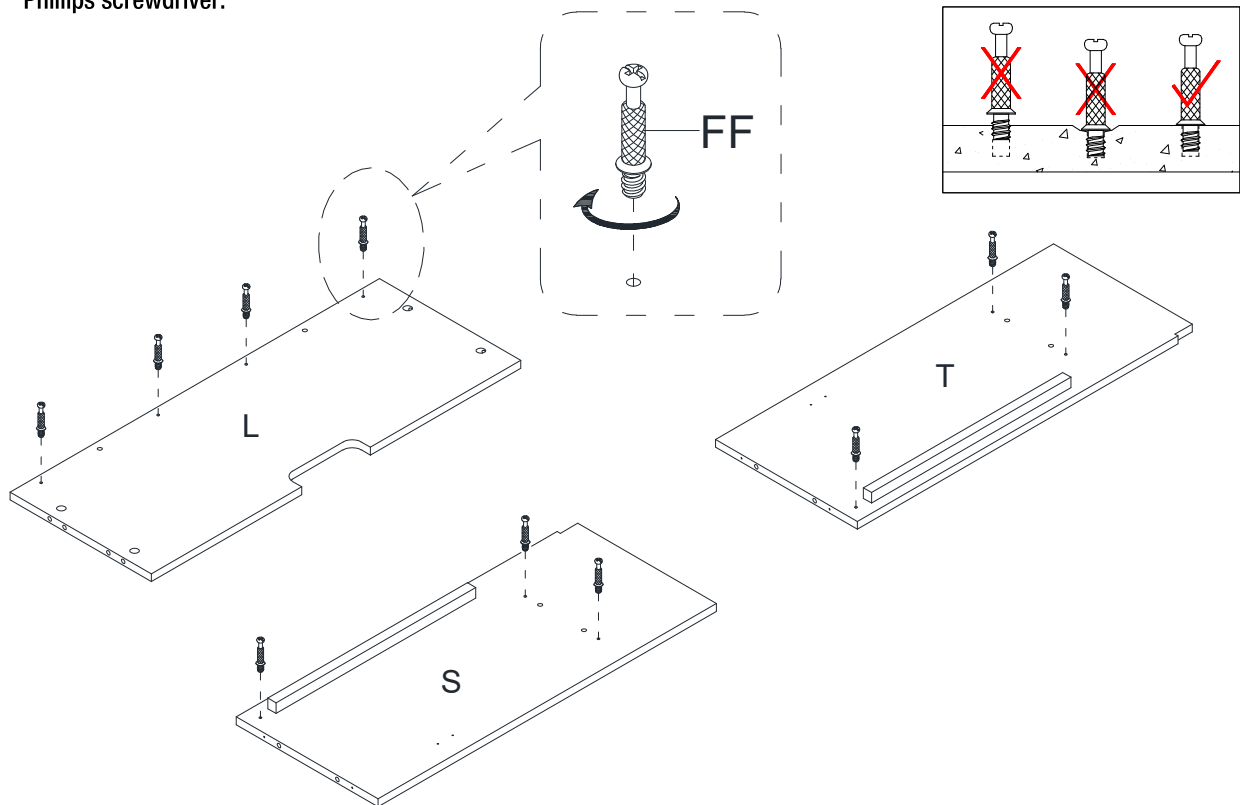
### 3 Attaching the middle stiles

- Glue two small wood dowels (DD) into the inner holes on each middle stile (V).
- Attach the middle stiles (V) to the partition panels (S and T) respectively with three short flat head screws (GG) per stile.



### 4 Screwing the cam bolts

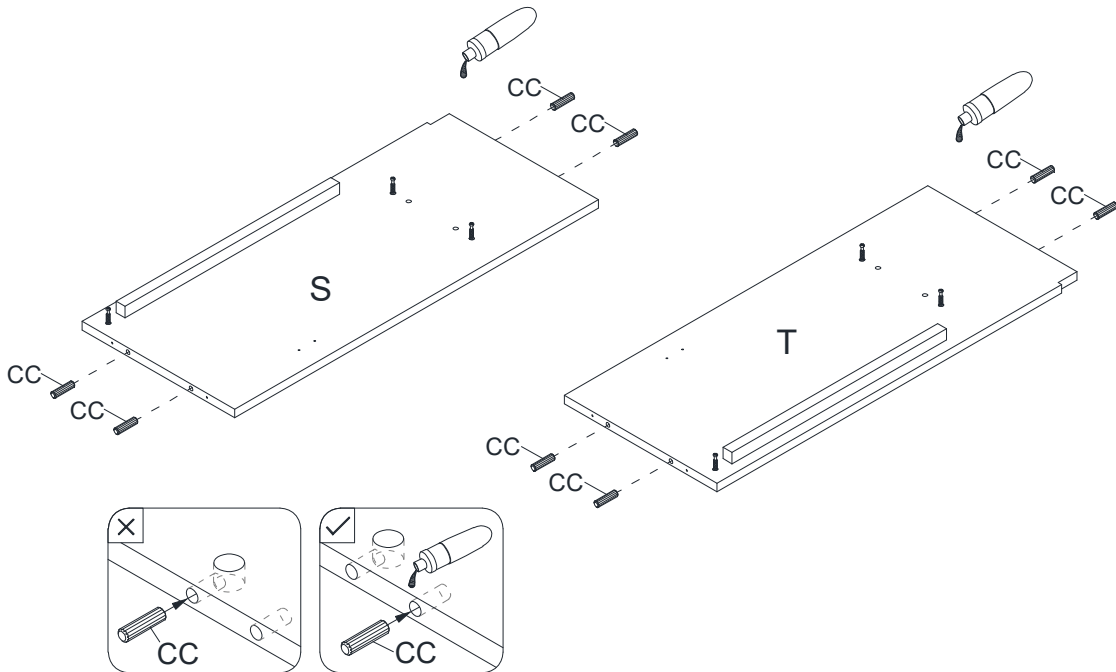
- Securely screw the cam bolts (FF) into the designated small holes on the media shelf (L) and partition panels (S and T) using a Phillips screwdriver.



## Assembly (continued)

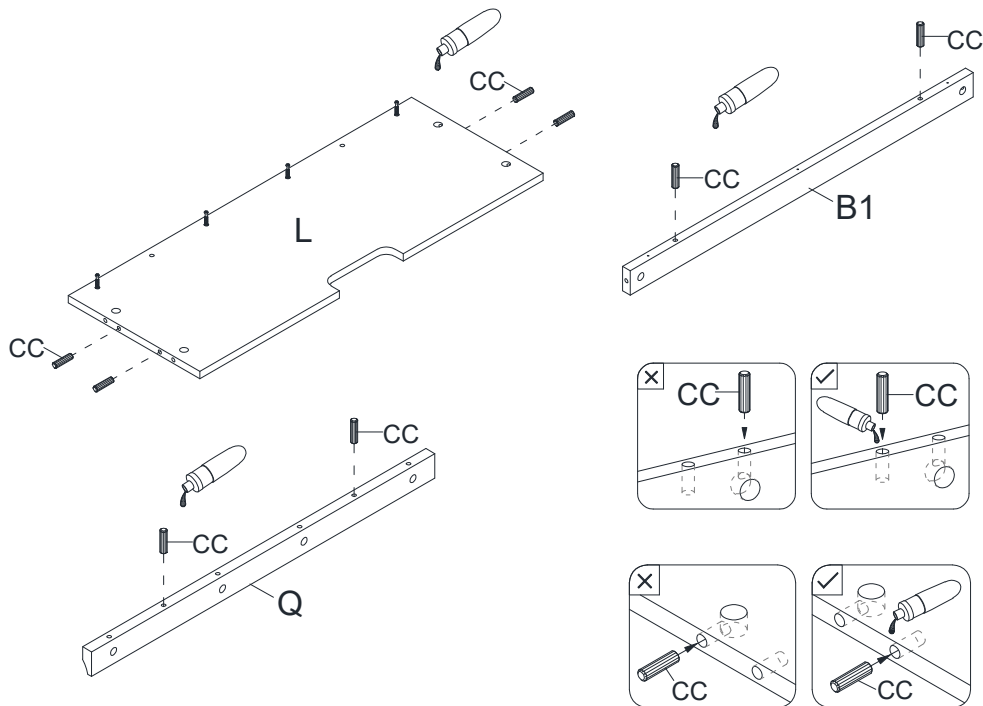
### 5 Gluing the wood dowels

- Glue the large wood dowels (CC) into the inner holes on the partition panels (S and T) as shown.



### 6 Gluing the wood dowels

- Glue the large wood dowels (CC) into the inner holes on the media shelf (L) and middle crossbars (Q and B1) as shown.



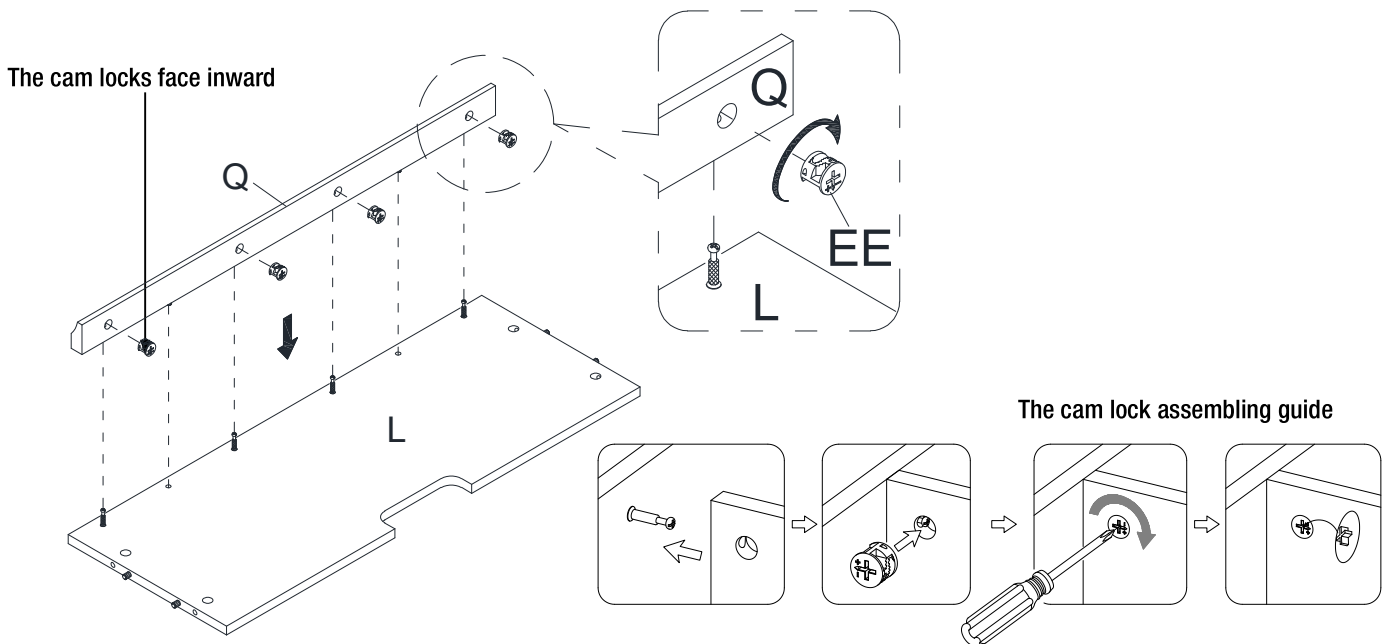
## Assembly (continued)

### 7 Attaching the middle top crossbar



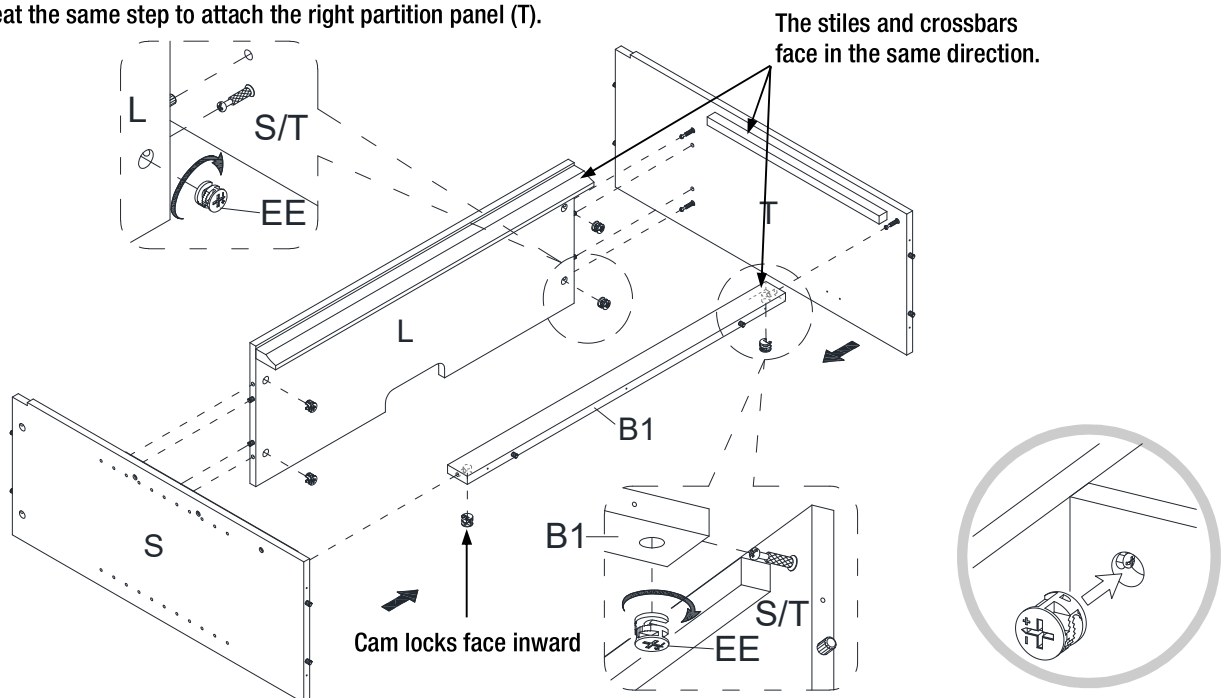
**NOTE:** Refer to the cam lock assembling guide drawings in this step for further clarification on how to properly install cam locks. Apply this method whenever instructed to install cam locks.

- Attach the middle top crossbar (Q) to the media shelf (L) by engaging four cam locks (EE).



### 8 Attaching the partition panels

- Align and attach the left partition panel (S) to the media shelf (L) and middle lower crossbar (B1) by engaging three cam locks (EE).
- Repeat the same step to attach the right partition panel (T).

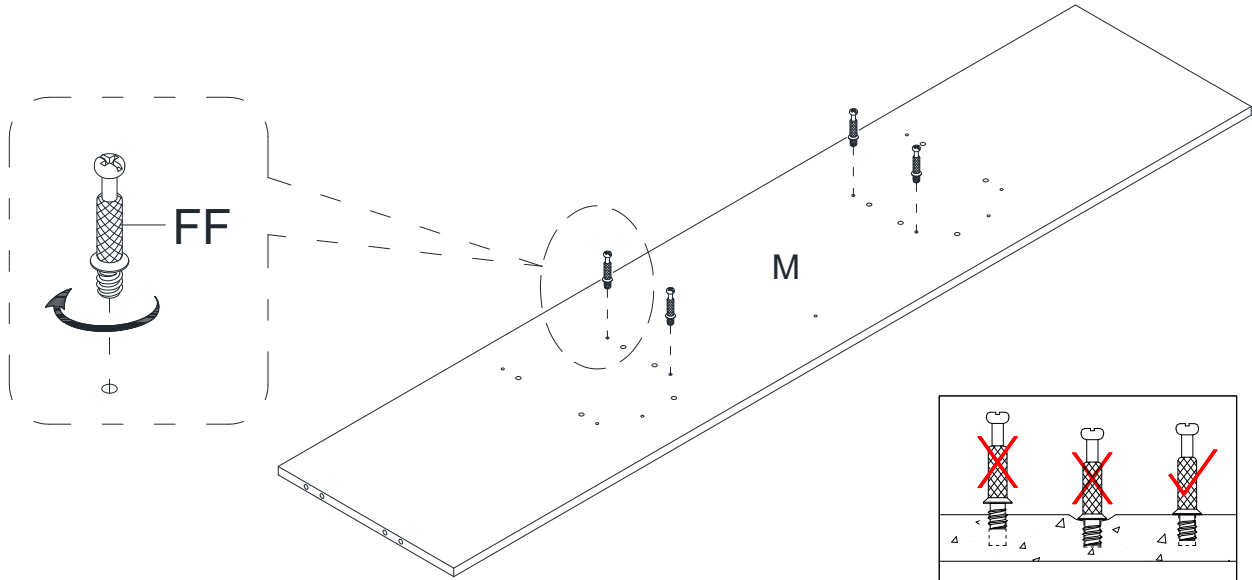




## Assembly (continued)

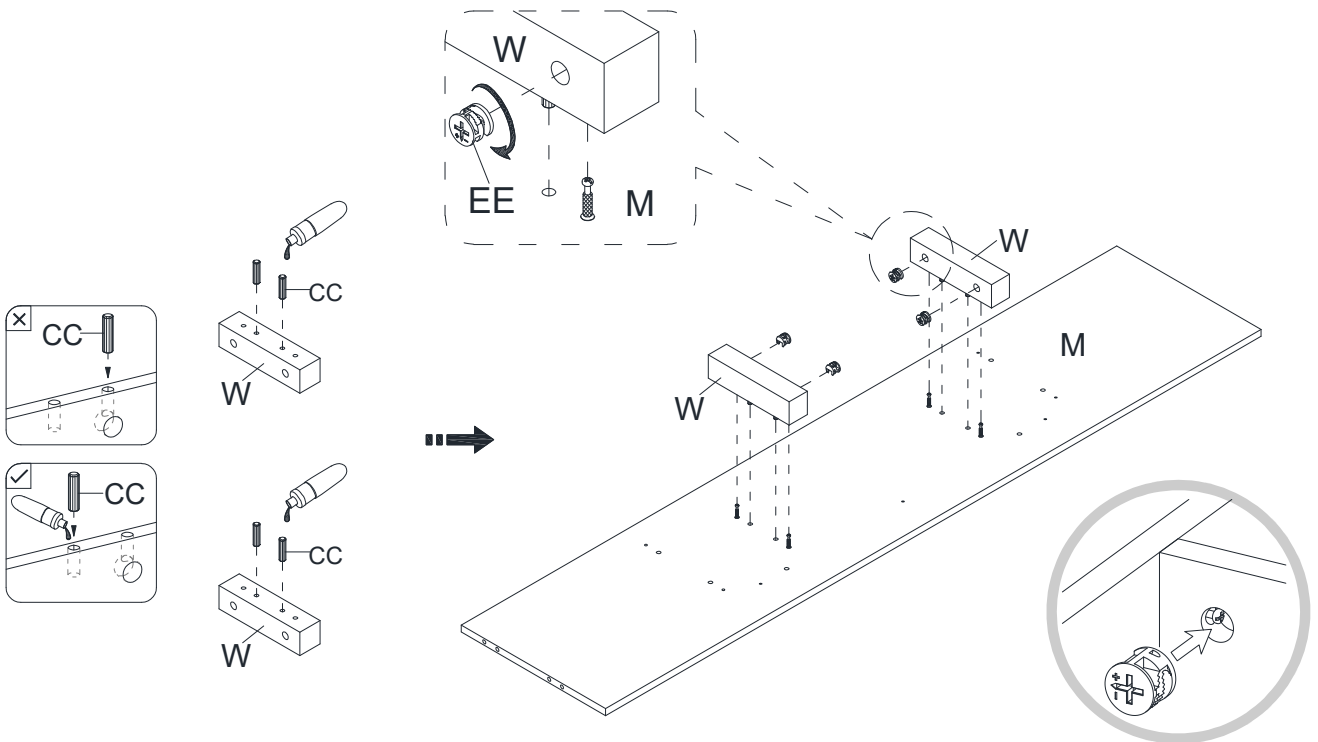
### 9 Screwing the cam bolts

- Securely screw the cam bolts (FF) into the designated small holes on the top face of bottom panel (M) using a Phillips screwdriver.



### 10 Attaching the support rails

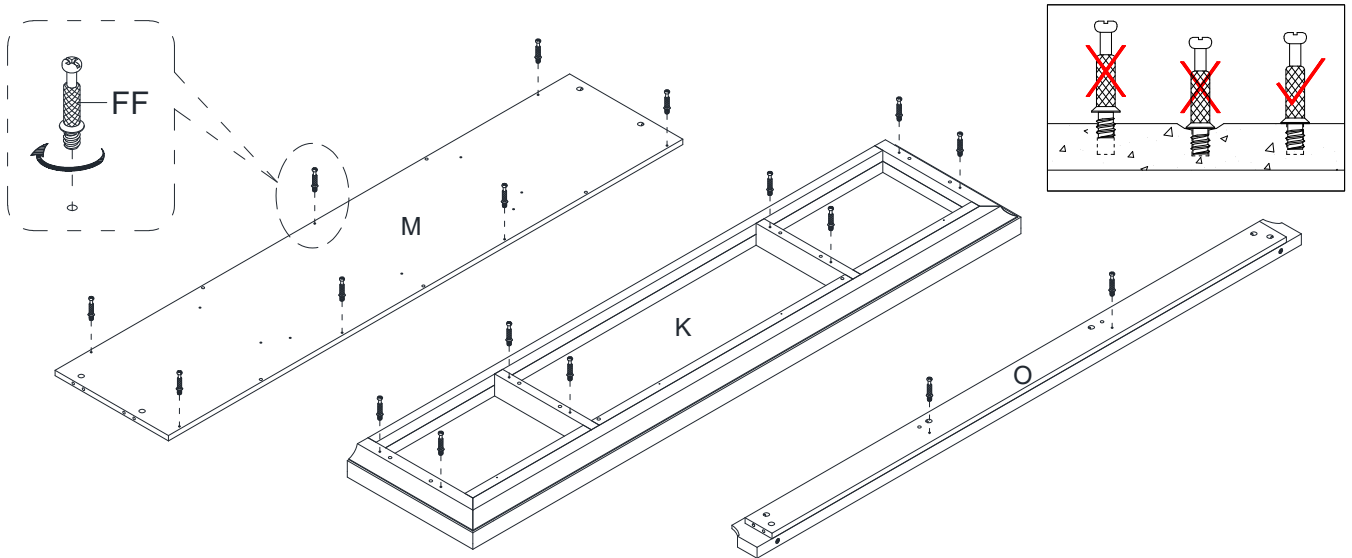
- Glue two large wood dowels (CC) into the inner holes on each support rail (W).
- Align and attach the support rails (W) to the bottom panel (M) by engaging four cam locks (EE).



## Assembly (continued)

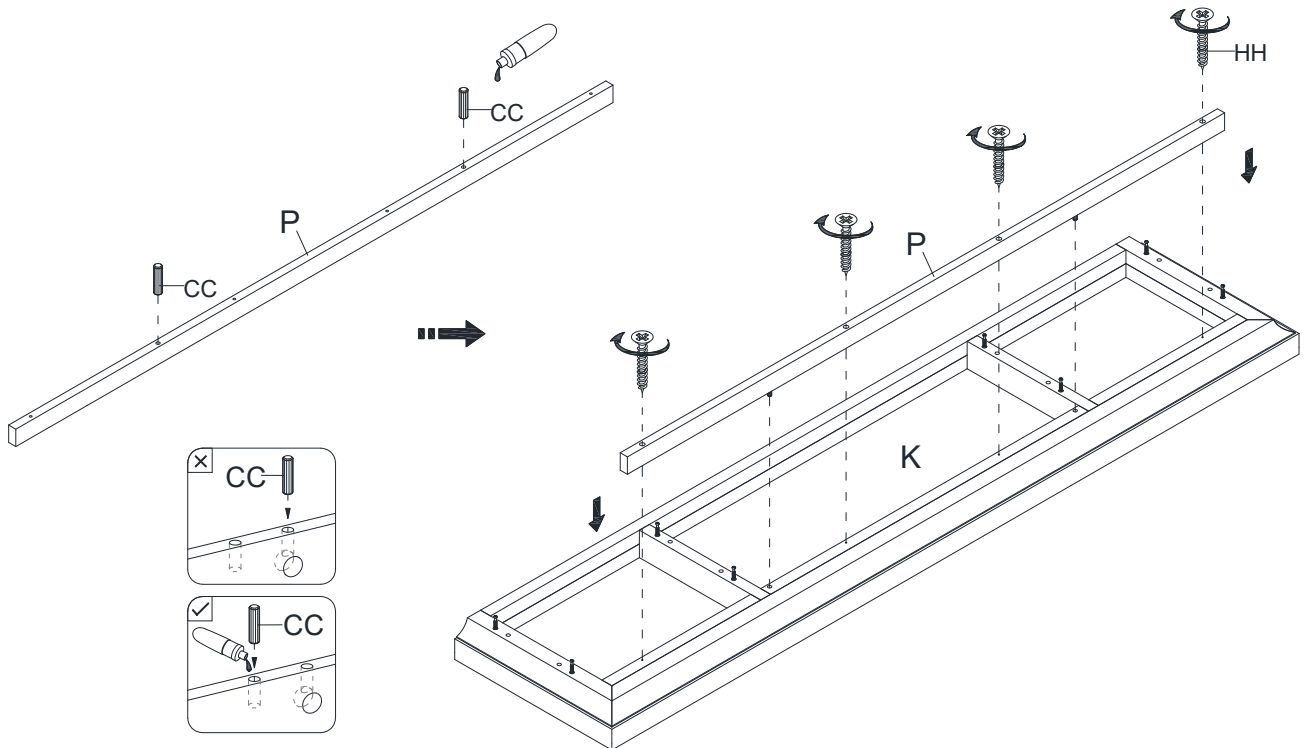
### 11 Screwing the cam bolts

- Securely screw the cam bolts (FF) into the designated small holes on the top panel (K), bottom face of bottom panel (M) and bottom front stretcher (O) using a Phillips screwdriver.



### 12 Attaching the top front molding

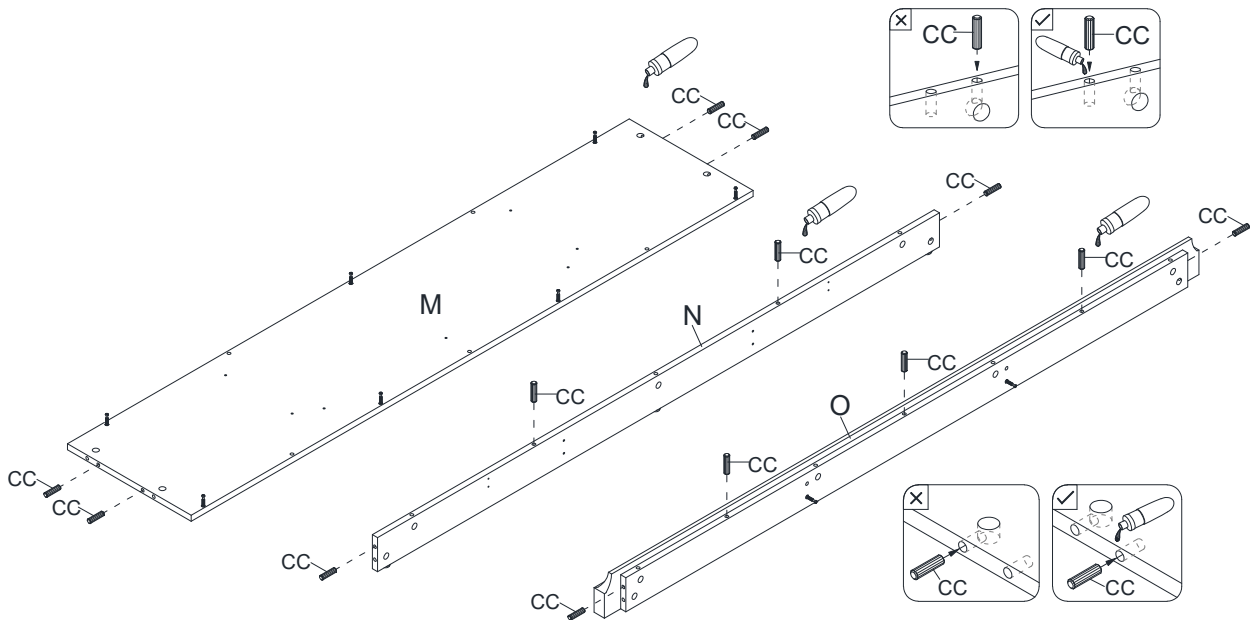
- Glue two large wood dowels (CC) into the inner holes on the top front molding (P) and attach it to the top panel (K) with four medium flat head screw (HH).



## Assembly (continued)

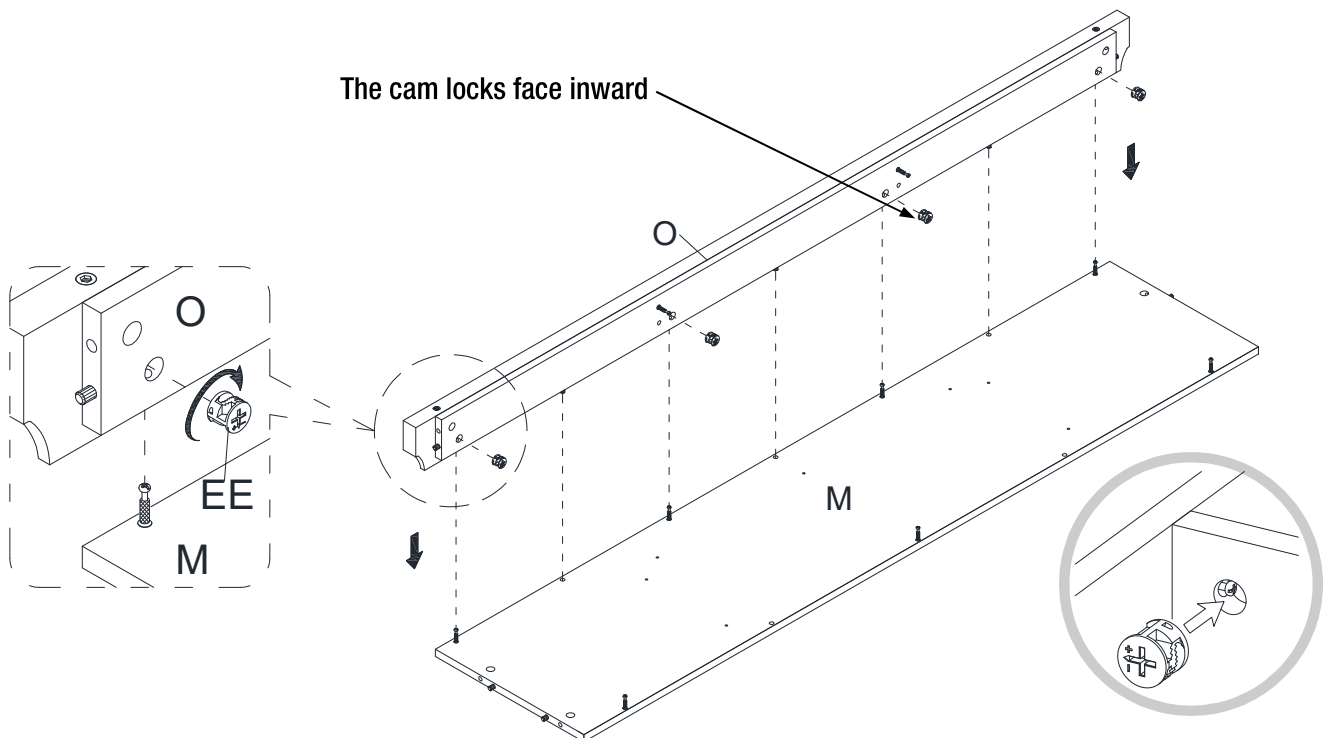
### 13 Gluing the wood dowels

- Glue the large wood dowels (CC) into the inner holes on the bottom panel (M) and bottom stretchers (N and O) as shown.



### 14 Attaching the bottom front stretcher

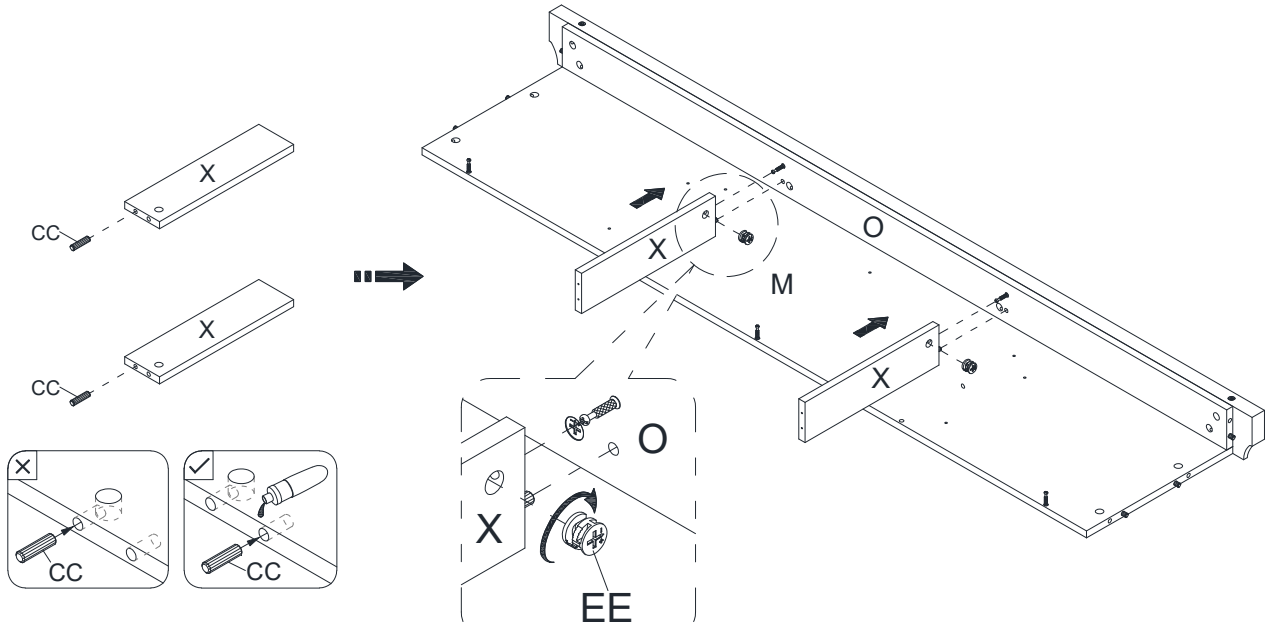
- Attach the bottom front stretcher (O) to the bottom panel (M) by engaging four cam locks (EE).



## Assembly (continued)

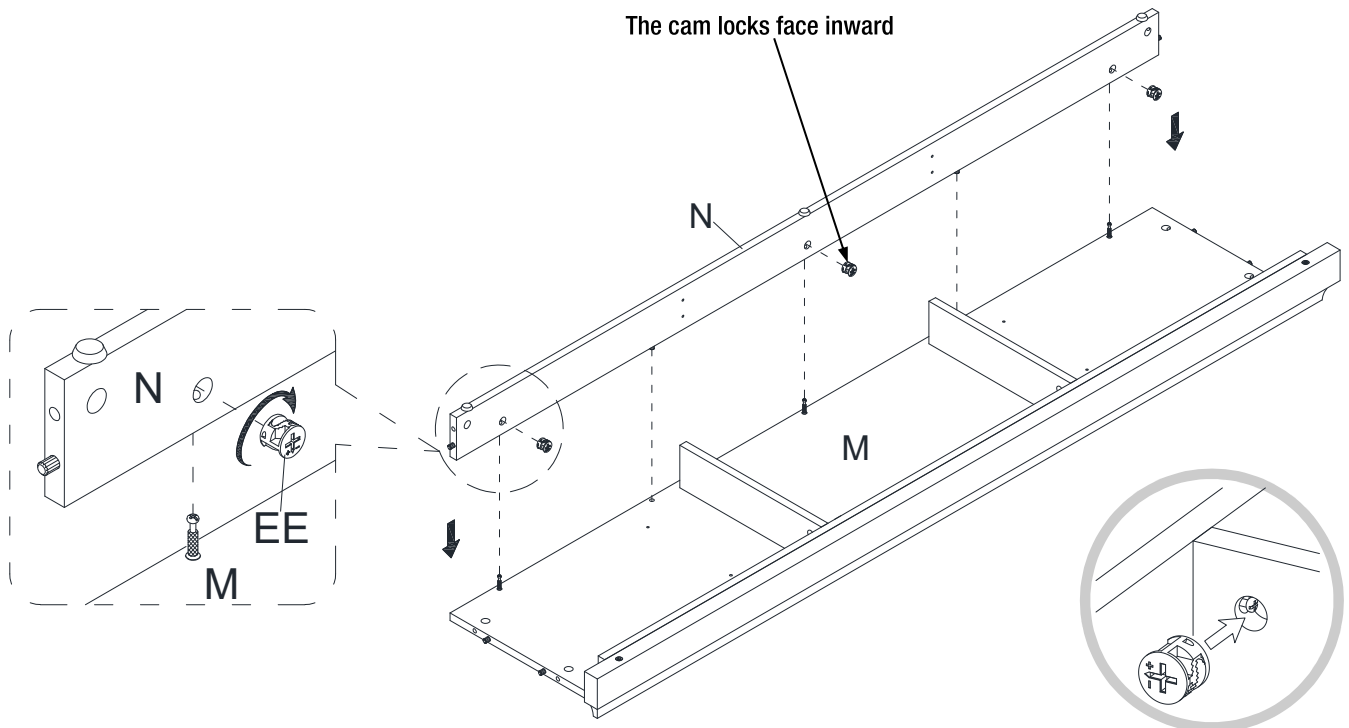
### 15 Attach the bottom supports

- Glue one large wood dowel (CC) into the end hole on each bottom support (X).
- Attach the bottom supports (X) to the bottom front stretcher (O) by engaging two cam locks (EE).



### 16 Attaching the bottom rear stretcher

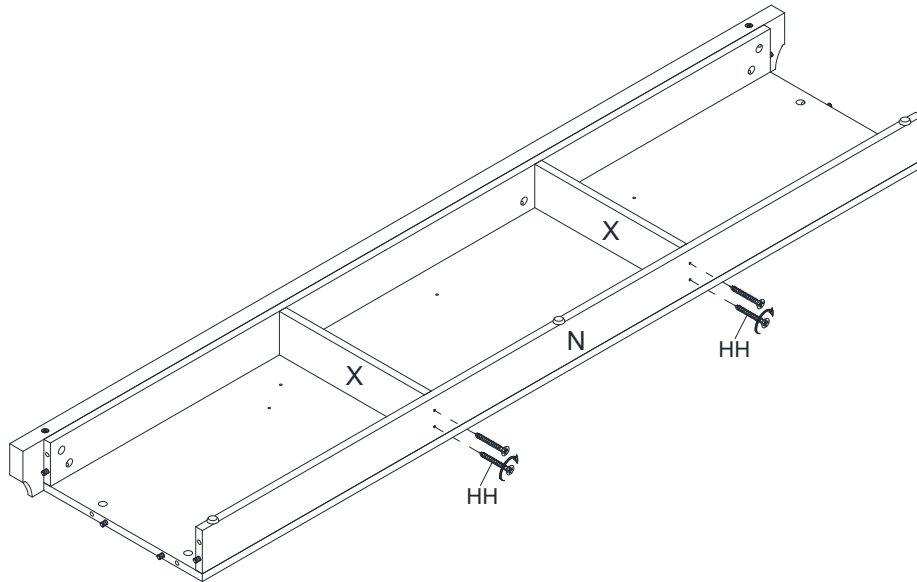
- Align and attach the bottom rear stretcher (N) to the bottom panel (M) by engaging three cam locks (EE).



## Assembly (continued)

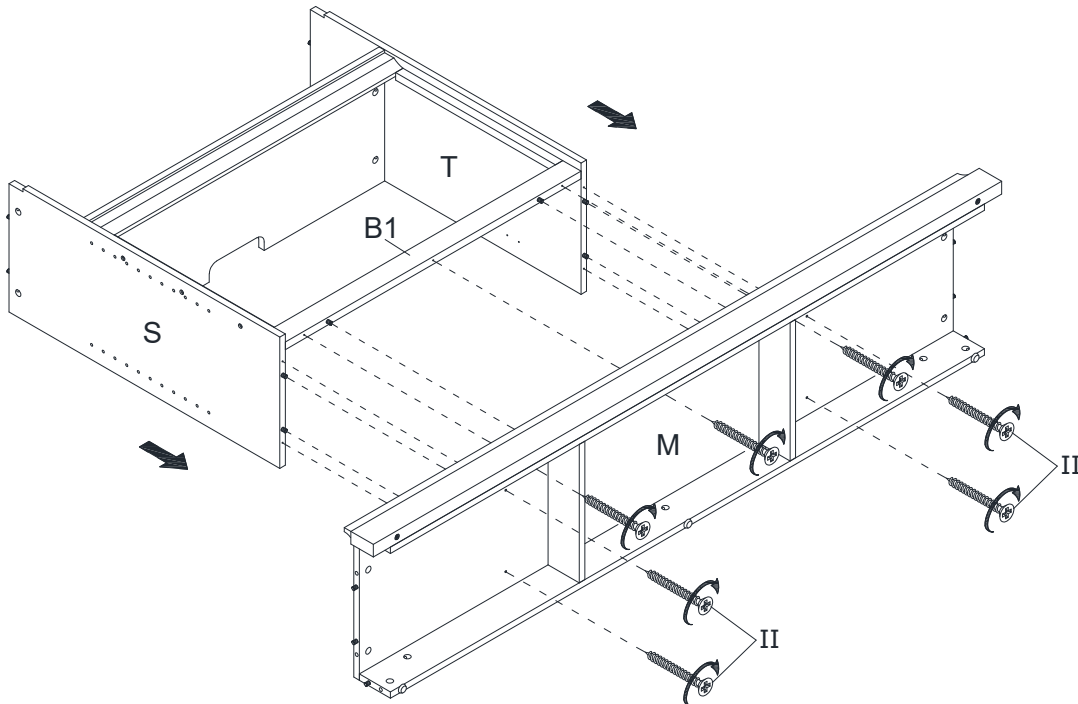
### 17 Fasten the bottom rear stretcher

- Using the pilot holes as a guide, fasten the bottom rear stretcher (N) to the bottom supports (X) with four medium flat head screws (HH).



### 18 Attaching the bottom panel

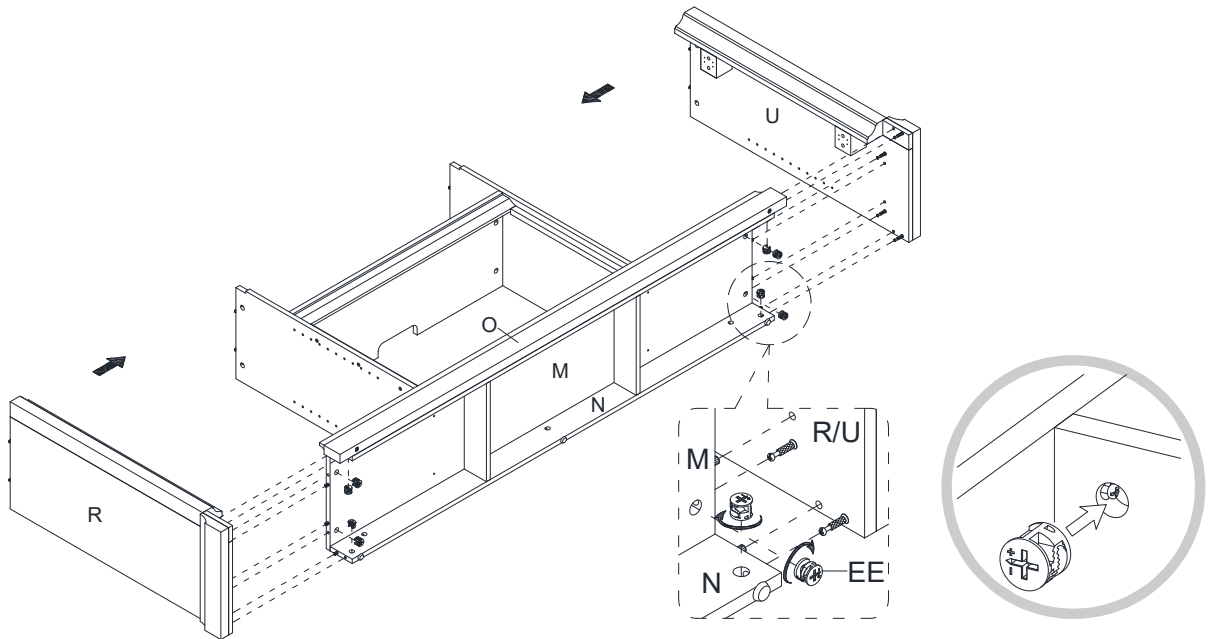
- Using the wood dowels as guide, firmly press the assembled partition panels (S and T) and middle lower crossbar (B1) to the bottom panel (M) and fasten them in place with seven long flat head screws (II).



## Assembly (continued)

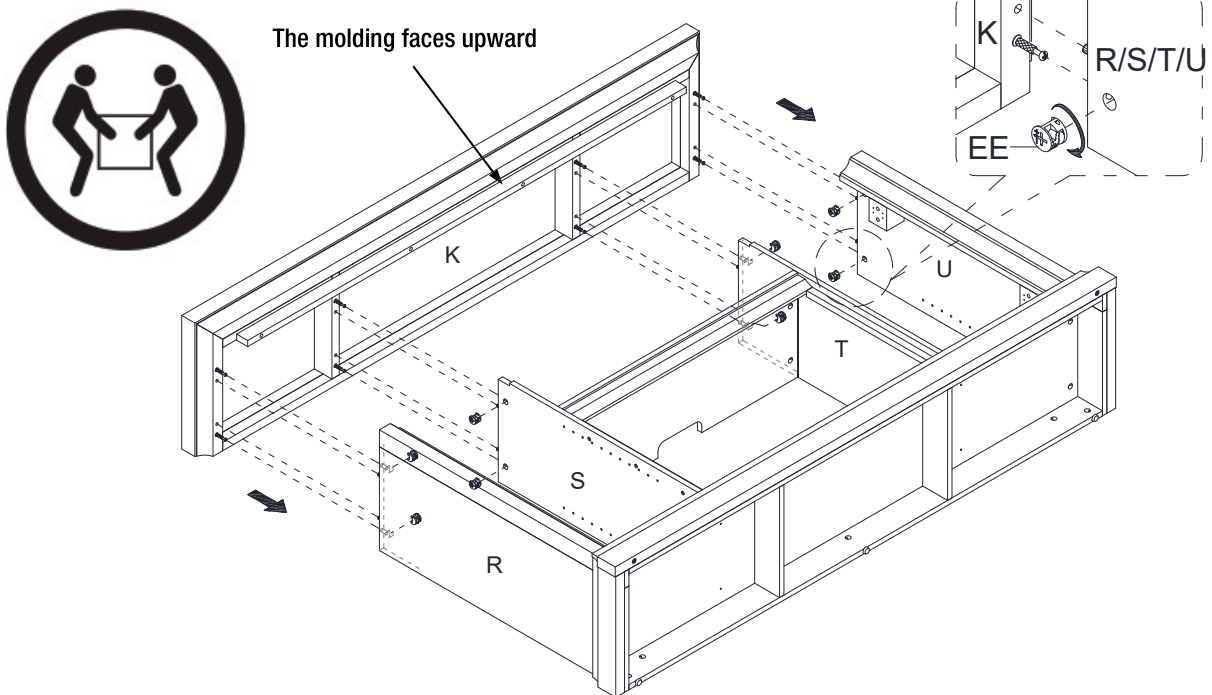
### 19 Attaching the side panels

- Align the large holes on both side panels (R and U) with the inserted wood dowels (CC) and press them together. Attach the side panels (R and U) in place by engaging eight cam locks (EE).



### 20 Attaching the top panel

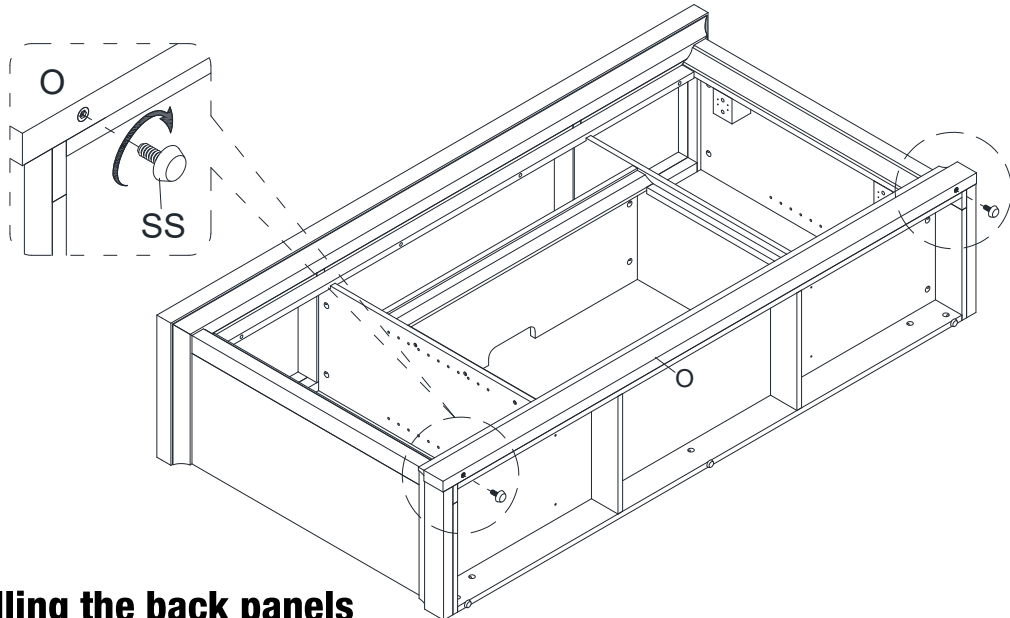
- Place the top panel (K) onto the inserted large wood dowels (CC) on the vertical panels properly and fasten it in place by engaging eight cam locks (EE).



## Assembly (continued)

### 21 Installing the floor levelers

- Screw the floor levelers (SS) into the threaded inserts on the bottom front stretcher (O) and set to the correct height.
- Now, go back and securely tighten all the cam locks and screws. Make sure all the parts are tight and there are no gaps between the parts. This will help keep the unit square.

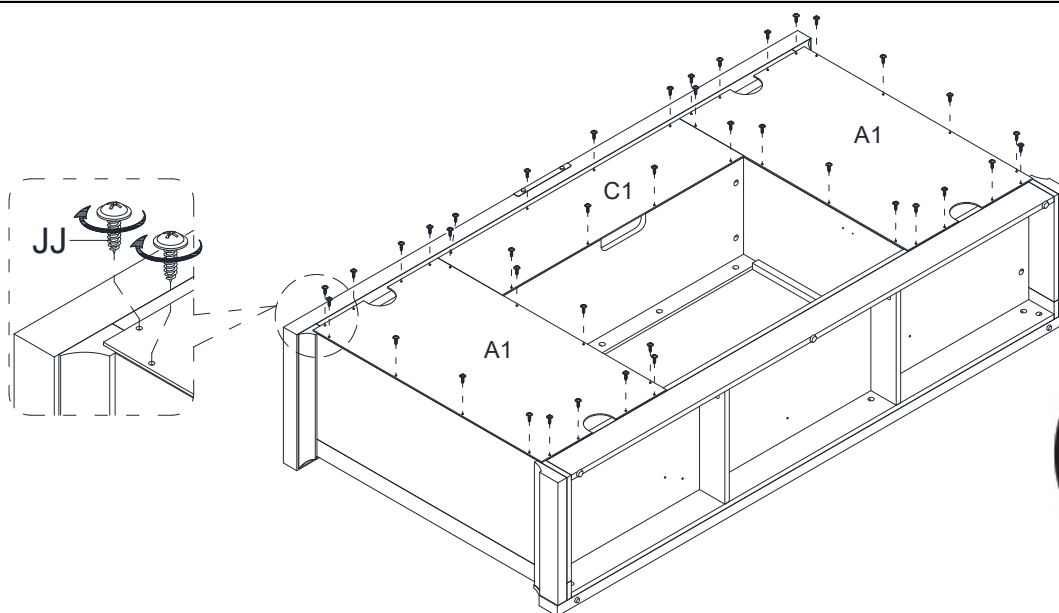


### 22 Installing the back panels

- Ask for assistance to flip around the previous assembly at its front edges.
- Pick up the middle back panel (C1) and align the pre-drilled holes against the upper long edge with the pilot holes on the back of top panel (K). Fasten it in place with the provided washer head screw (JJ).
- Using the pilot holes as a guide, align and attach the side back panels (A1) to the mantel frame with the washer head screws (JJ).



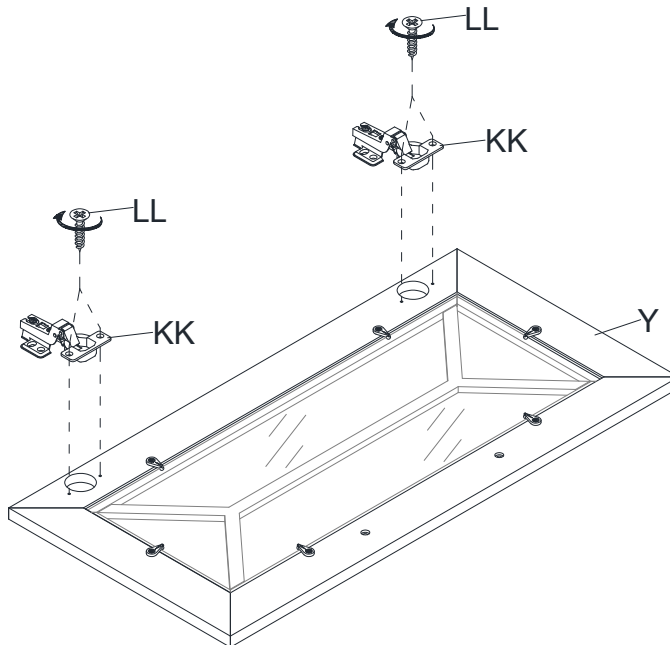
**NOTE:** We recommend attaching back panel with the screws at the corners first.



## Assembly (continued)

### 23 Installing the door hinges

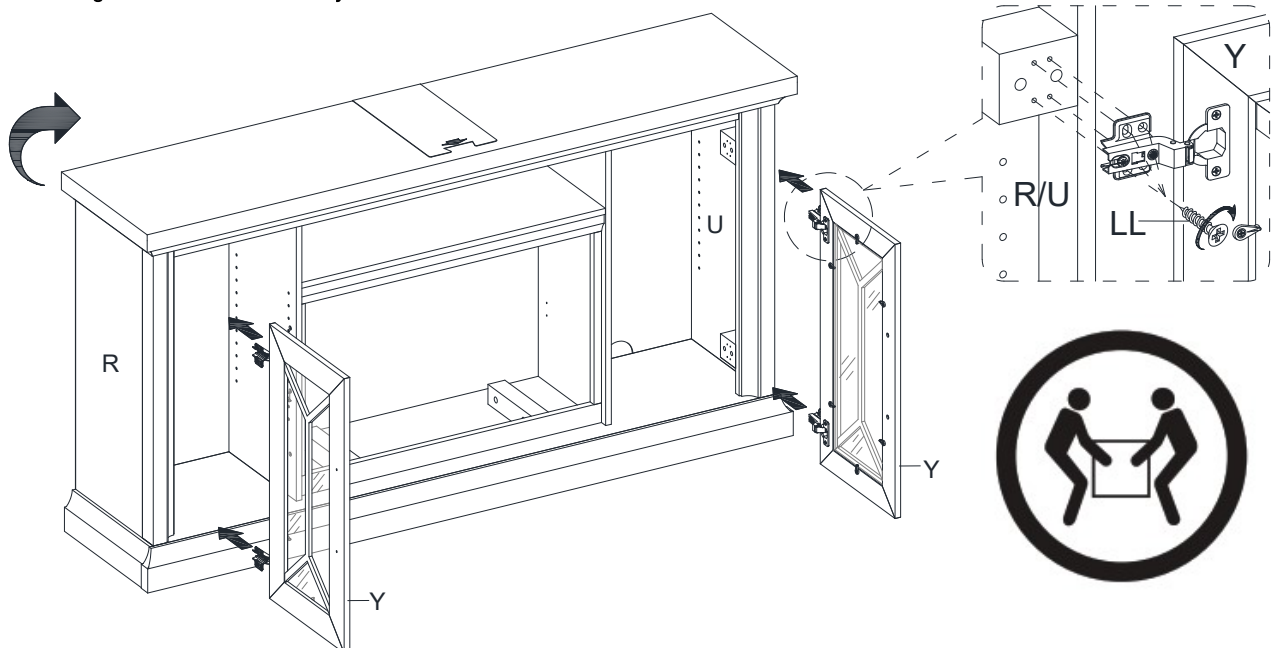
- Extend two door hinges (KK) and rest the hinge cups onto the cutouts of each door (Y). Secure the door hinges (KK) in place by using two zinc screws (LL) in each.



x 2

### 24 Attaching the door panels

- Ask for assistance to lift the assembly unit upright and position it near the final location.
- Pick up one door panel (Y) and fasten the hinge bases onto the left side panel (R) with four zinc screws (LL) in each.
- Repeat the same process to attach the other door (Y) to the right side panel (U).
- Open and close the doors to make sure they are aligned and shut correctly. If necessary, adjust the screws for a good fit. Refer to the hinge sticker on door for adjustment.

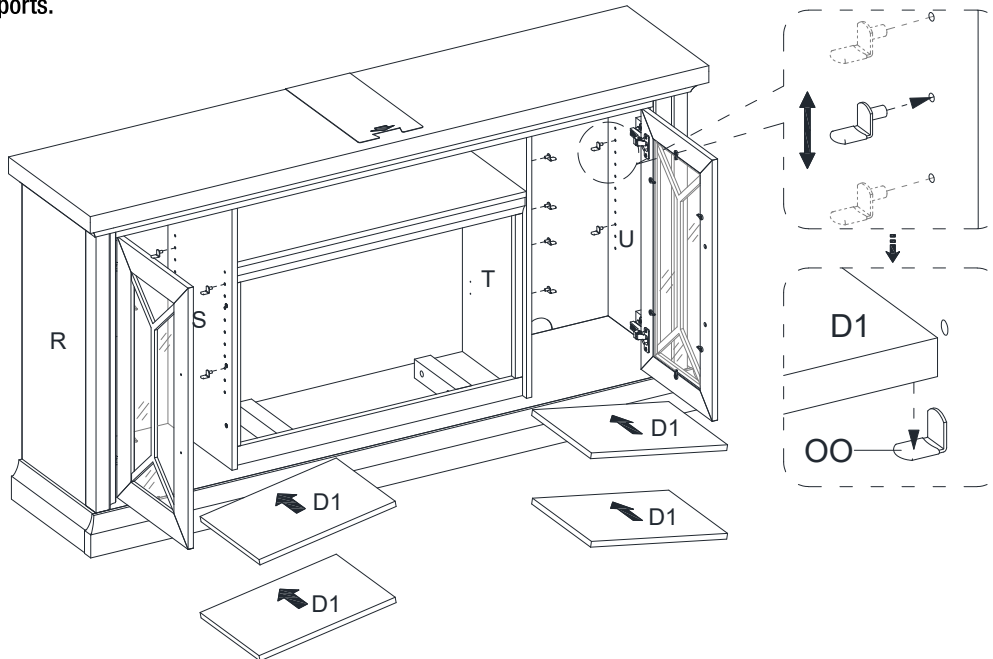




## Assembly (continued)

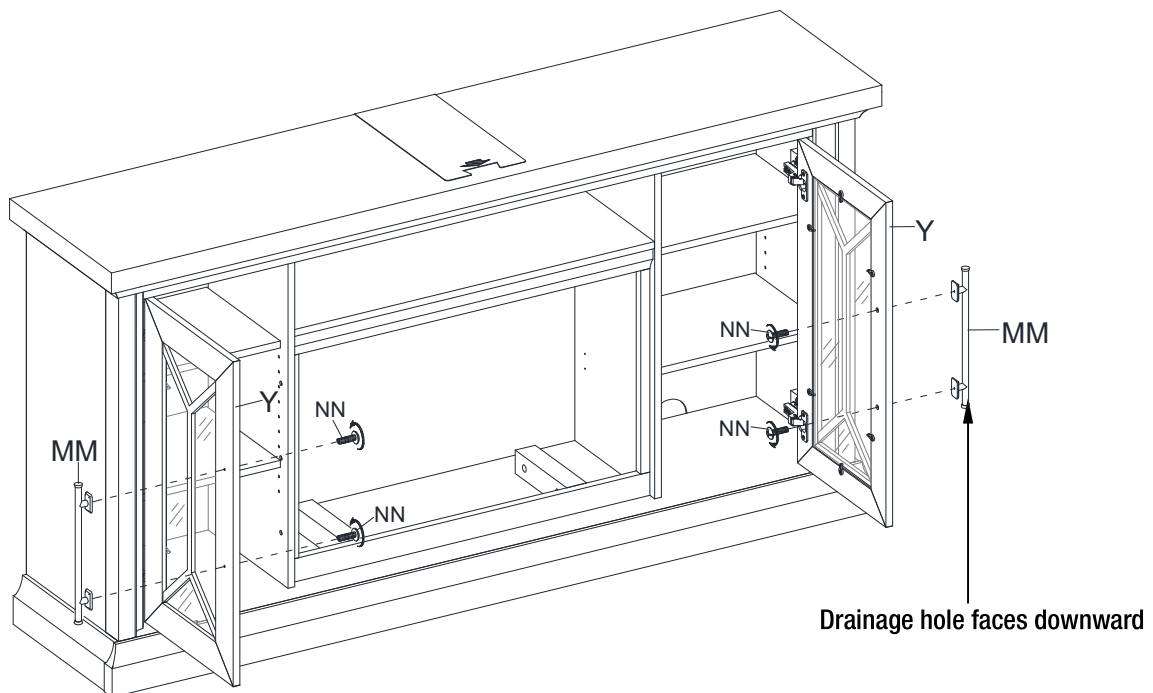
### 25 Attaching the adjustable shelves

- Open the doors and insert eight shelf supports (OO) in the holes at the desired height inside each side compartment. Make sure you place the four shelf supports at the same level, so the shelf is not tilted. Tilt and rest the adjustable shelves (D1) onto the shelf supports.



### 26 Installing the handles

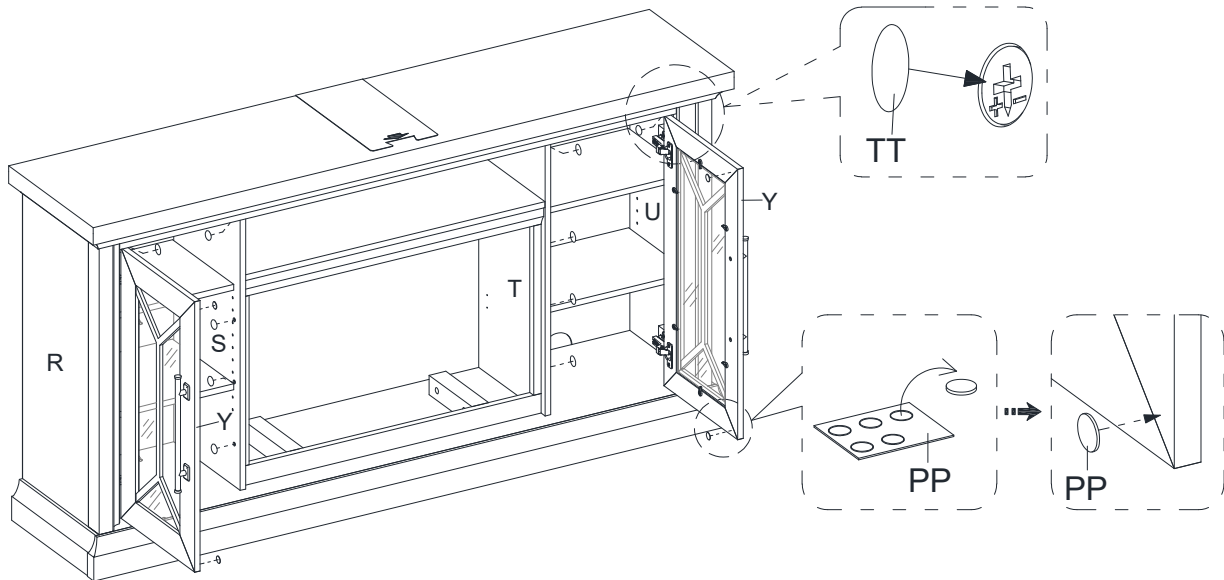
- Open the doors and attach one handle (MM) to the front side of each door with two handle bolts (NN).



## Assembly (continued)

### 27 Plugging the cam covers

- Plug the cam lock covers (TT) onto the visible cam locks to conceal the cams.
- Stick the rubber bumpers (PP) on the outer corners of doors where meet the partition panels (S and T).



### 28 Attaching upright arms



**IMPORTANT NOTE:** Use hand screwdriver, not power driver to assemble fireplace insert. See BILT for video instructions.

- See figure A: Fasten upper 2 screws (AA) through the upright arm (C) into the heater (A) until tight.
- See figure B: Fasten lower 2 screws (AA) into the upright arm (C) until tight.
- Repeat the same process with upright arm (B).

Figure A

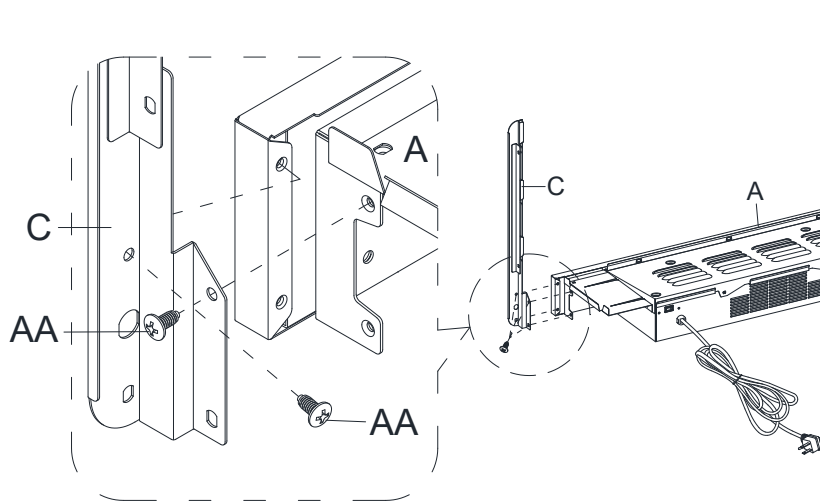
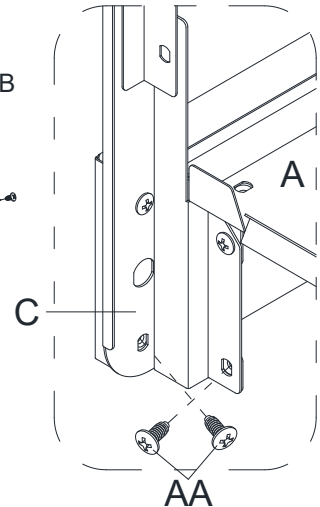


Figure B



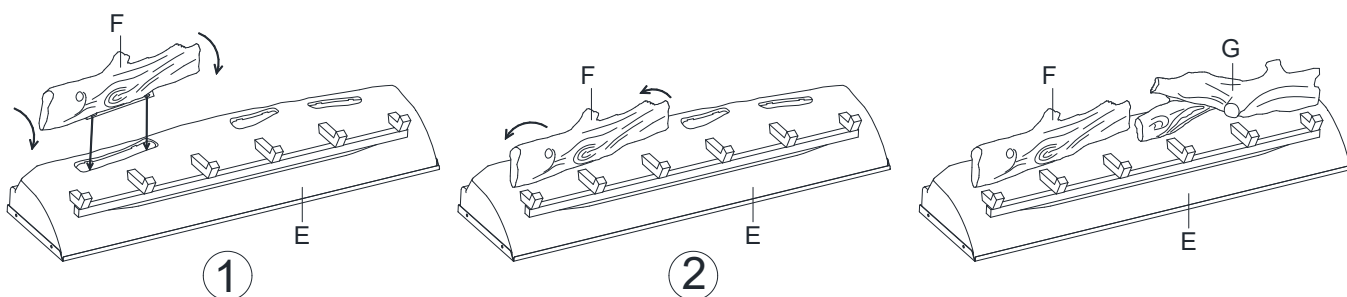
## Assembly (continued)

### 29 Attaching logs to ember bed



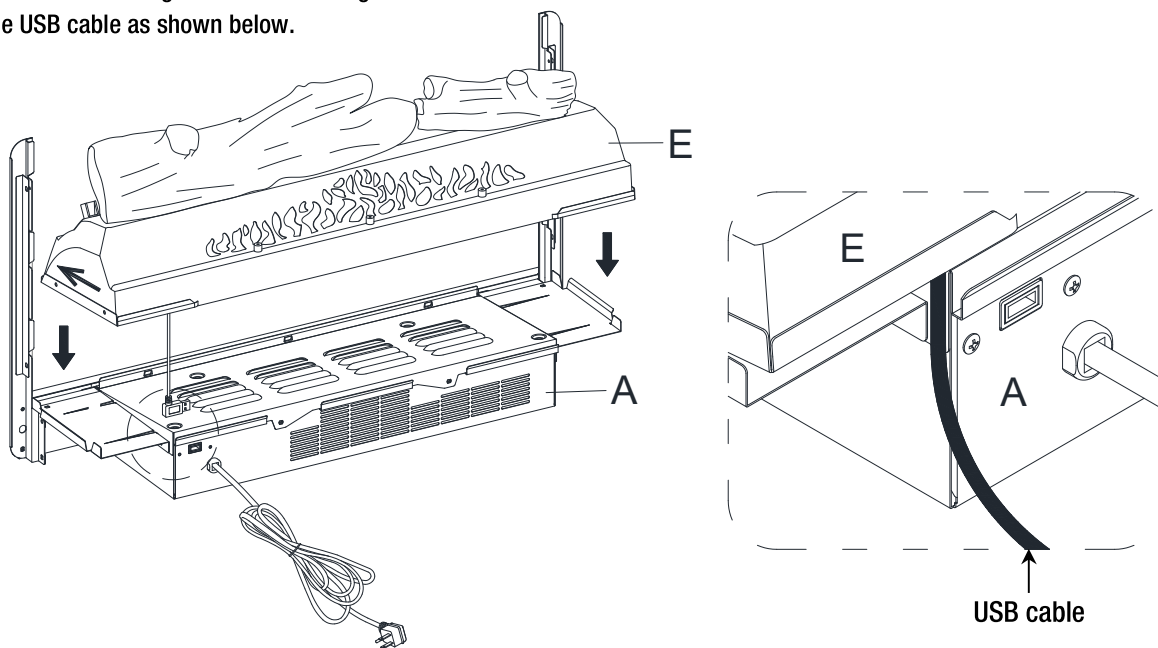
**IMPORTANT:** Carefully follow the 2 steps below for inserting each log.

1. Install left log (F) into left hole of ember bed (E) by inserting front edge of base of the log into front notches of ember bed hole.
  2. Then tilt the log back to insert the rear edge of the log base into rear notches of ember bed hole (press down log firmly to lock into position).
- Repeat the above process for the right log (G).



### 30 Positioning ember bed

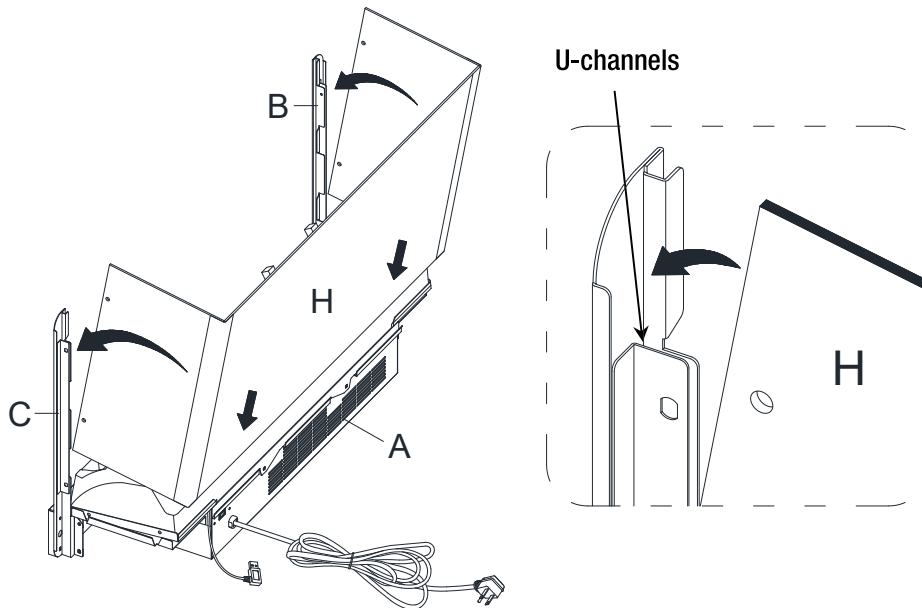
- Set the ember bed (E) onto the heater (A) as shown.
- Push ember bed forward against the front flange of heater.
- Position the USB cable as shown below.



## Assembly (continued)

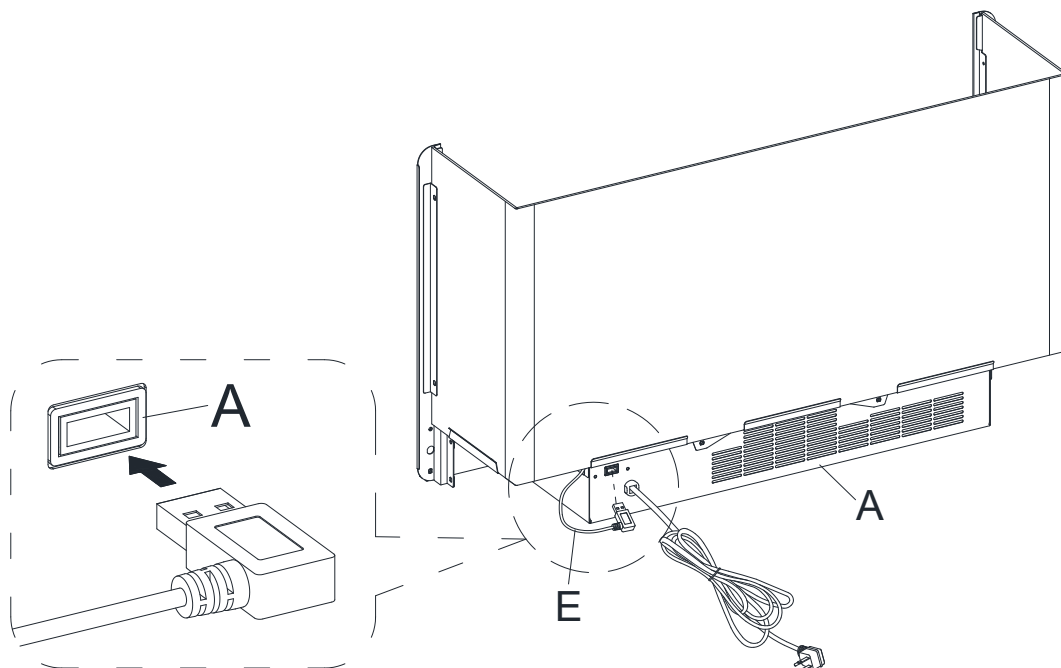
### 31 Attaching wall panel

- Fold the wall panel (H) as shown. Then position yourself at back side of heater (A).
- Hold wall panel (H) at the angle shown below and insert lower back edge into metal slots on back of heater (A).
- Tilt wall panel (H) forward until bottom corner inserts into lower U-channels on both upright arms (B and C).
- Continue to tilt wall panel (H) forward until the top corner inserts into upper U-channels on both upright arms (B and C).



### 32 Connecting ember bed cable to heater

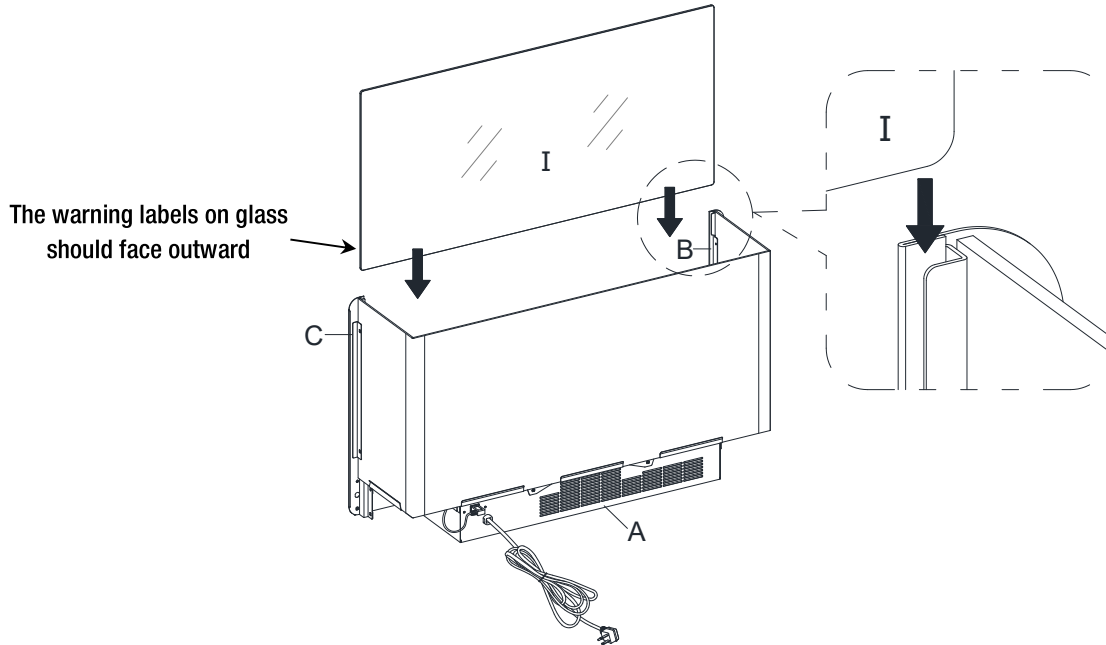
- Fully plug the USB connector of the ember bed (E) into the back port of heater (A).



## Assembly (continued)

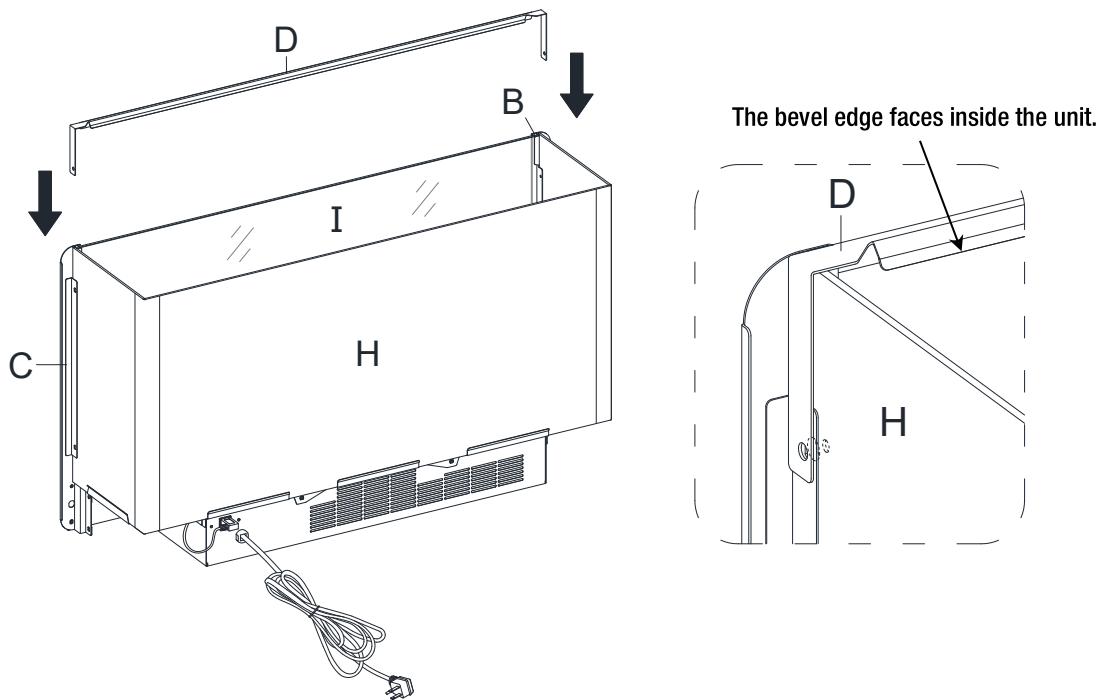
### 33 Inserting the glass

- Slide the glass (I) into the inner U-channels on both upright arms (B and C) until the glass sits onto the heater (A). Make sure the top of the glass (I) is flush with the top of both upright arms (B and C).



### 34 Positioning connector strap

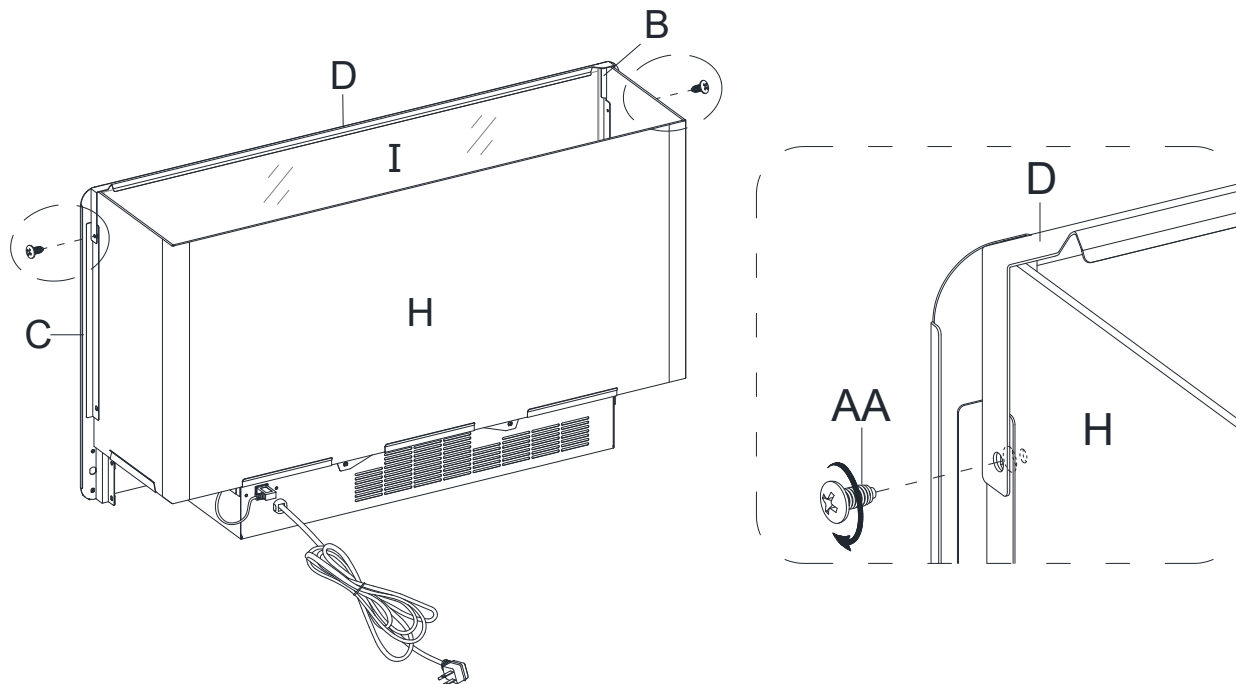
- Position top connector strap (D) over the glass (I) and upright arms (B and C). Follow orientation shown below.



## Assembly (continued)

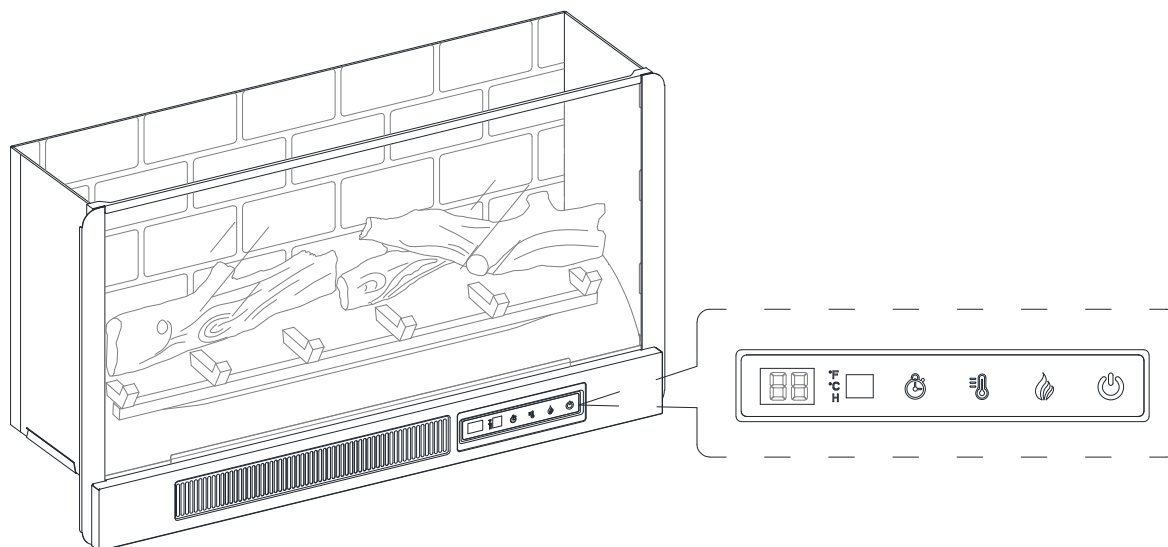
### 35 Attaching connector strap

- Fasten connector strap (D) to both upright arms (B and C) using two screws (AA) as show below. Holes must be in line for screw to pass through.



### 36 Finishing fireplace insert assembly

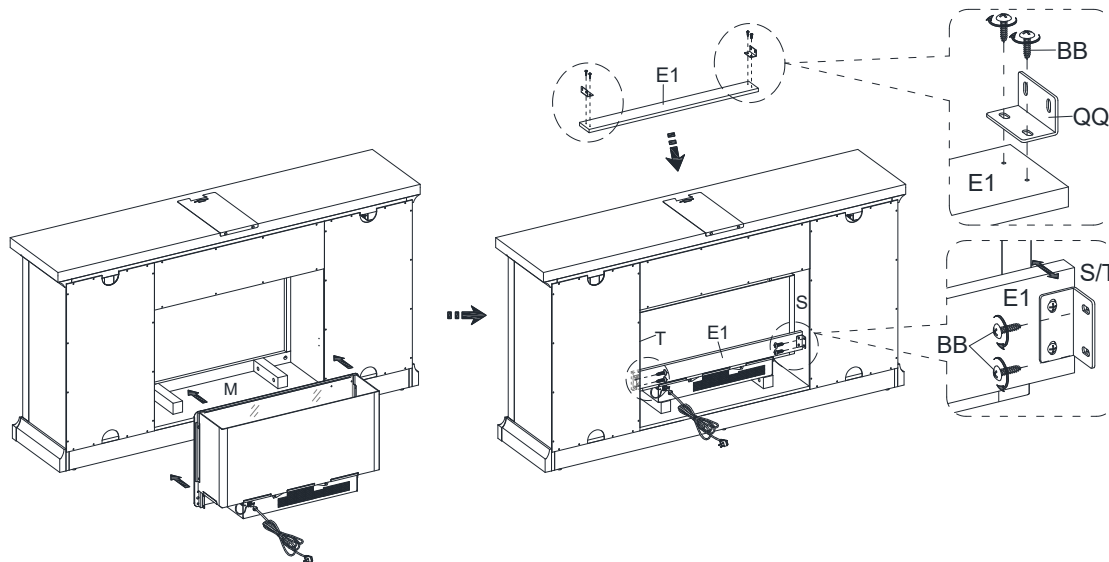
- The firebox is now ready for the next assemble step.



## Assembly (continued)

### 37 Installing the fireplace insert

- Lift the fireplace insert carefully into the back of the assembled mantel and centre it on the support rails in the opening.
- Use the pilot holes as a guide, fasten two mending plates (QQ) onto the firebox support (E1) with four pan head screws (BB). Make sure that the right angle is flush with the short edge of firebox support (E1).
- Use the pilot holes as a guide, fasten firebox support (E1) between the partition panels (S and T) with four pan head screws (BB).



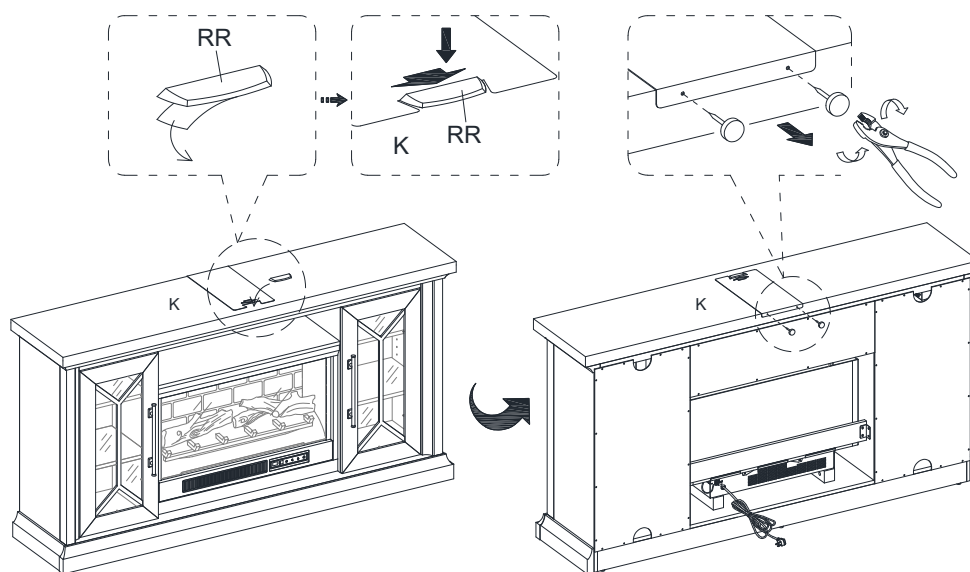
### 38 Installing the acrylic stopper

- Remove the paper backing of acrylic stopper (RR), then properly align the acrylic stopper into the cutout on the acrylic stopper template on the front of the top panel (K). Press down on the acrylic stopper to help adhesion.



**NOTE:** To prevent your TV from tipping, you must install the acrylic TV stopper if you place a flat panel television on the top panel. Otherwise, skip to next step.

- At the back of top panel (K), grip the heads of plastic tacks with pliers, with twisting motion pull tacks loose to remove the acrylic stopper template.



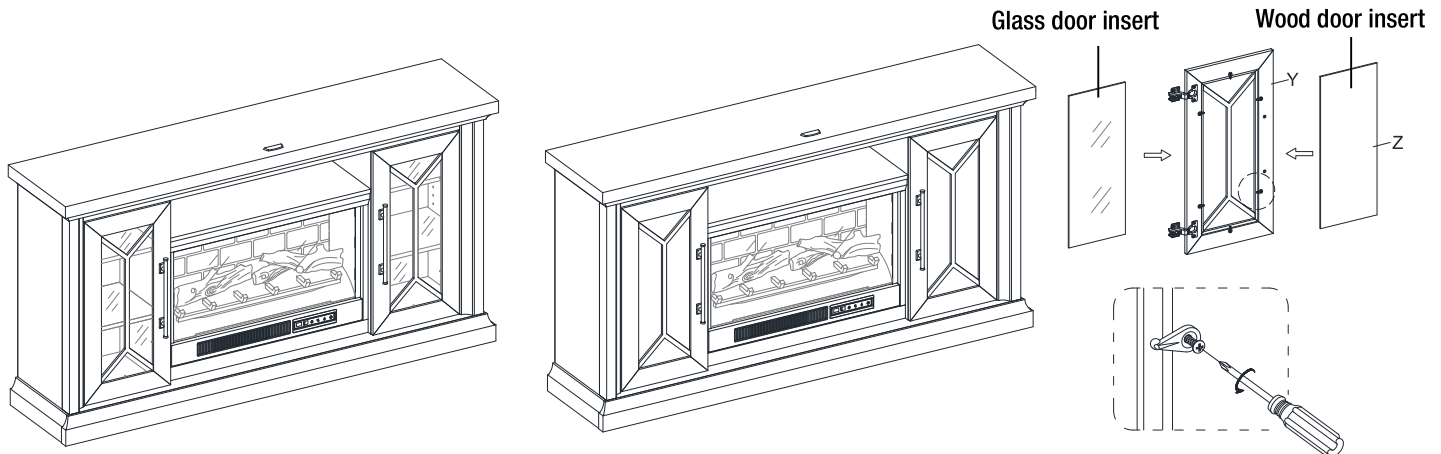
## Assembly (continued)

### 39 Interchanging the wood door panels

- To change door panels, loosen the screws on the inside of the door and rotate the clips to remove the panel. Replace with the desired panel, then rotate clips to secure the panel within the door frame and tighten screws.



**NOTE:** The glass door panels are pre-attached when shipping. You can keep as is or interchange as the desired configuration.

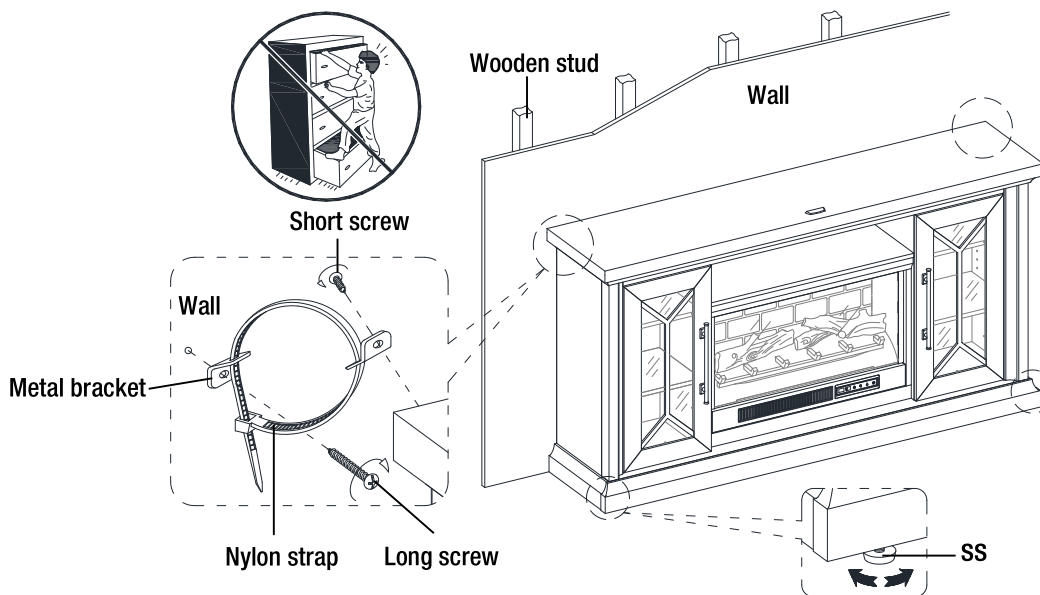


### 40 Installing the tipping restraint hardware



**WARNING:** Young children can be seriously injured by tipping furniture. You must install the tipping restraint hardware with the unit to prevent the unit from tipping, causing any accidents or damage. The tipping restraints are intended only as a deterrent, they are not a substitute for proper adult supervision. The tipping restraints are not earthquake restraints. If you wish to add the extra security of earthquake restraints, they must be purchased and installed separately.

- With assistance, position the assembled fireplace at the desired location against a wall. If necessary, adjust the installed floor levelers (SS) by hand to correct tilting and level the doors, until the unit is level.
- Follow the instructions printed on the plastic bag containing the tipping restraint hardware to attach the tip-over restraints to the unit and the wall.
- Connect the fireplace to the power transformer. Follow the operating manual for the electric fireplace insert to control your fireplace.





## Care and Maintenance

A touch-up pen has been provided to minimize the small nicks or scratches that may occur during assembly or shipping.

To clean and care for your furniture:

- Use a soft, clean cloth that will not scratch the surface when dusting.
- Use of furniture polishes is not necessary. Should you choose to use polishes, test first in an inconspicuous area.
- Using solvents of any kind on your furniture may damage the finish.
- Never use water to clean your furniture as it may cause damage to the finish.
- Always use coasters under beverage glasses and flowerpots.
- Liquid spills should be removed immediately. Using a soft clean cloth, blot the spill gently. Avoid rubbing.
- Always use protective pads under hot dishes and plates. Heat can cause chemical changes that may create spotting within the furniture finish.
- In the event that your furniture is stained or otherwise damaged during use, we recommend that you call a professional to repair your furniture.
- Check bolts/screws periodically and tighten them if necessary.

### CARING FOR WOOD FURNITURE

It is best to keep your furniture in a climate-controlled environment. Extreme temperature and humidity changes can cause fading, warping, shrinking and splitting of wood. It is advised to keep furniture away from direct sunlight as sun may damage the finish.

Proper care and cleaning at home will extend the life of your purchase. Following these important and helpful tips will enhance your furniture as it ages.

### CLEANING THE FIREPLACE TRIM

Clean the metal trim using a soft cloth, slightly dampened with citrus oil based product and buff with a clean soft cloth. DO NOT use brass polish or household cleaners as these products will damage the metal trim. Citrus oil based products can be obtained at supermarkets or hardware stores.



## WARNING

- Unit must be placed on a level surface or leveled with included hardware (when applicable).
- Do not sit or stand on or allow children to climb, sit or stand on the assembled product.
- For safety reasons, it is imperative that this unit be mounted to the wall or floor.
- Unit can tip over causing severe injury or death.
- Never open more than one drawer at a time.
- Do not exceed the recommended weight limits.
- Before cutting, drilling or hammering into any wall or floor surface, verify the location of electrical, plumbing and gas lines. Cutting may cause serious injury.

# **HOME DECORATORS COLLECTION**

Questions, problems, missing parts? Before returning to the store,  
call Home Decorators Collection Customer Service  
8 a.m. - 7 p.m., EST, Monday-Friday  
9 a.m. - 6 p.m., EST, Saturday

**1-800-986-3460**

**[HOMEDPOT.COM/HOMEDECORATORS](https://www.homedepot.com/homedecorators)**

Retain this manual for future use.