

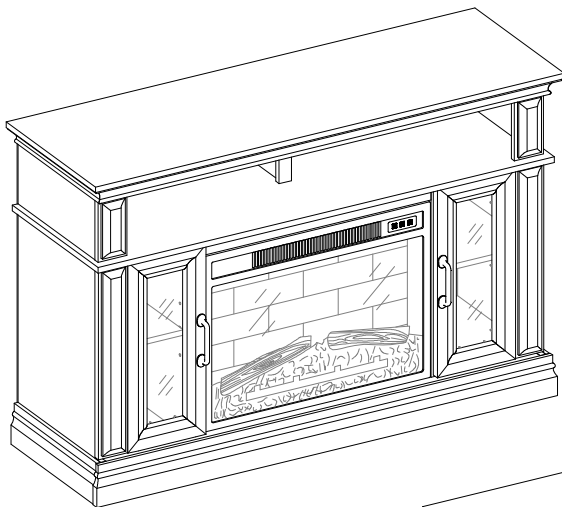
OMSID # 308824415  
OMSID # 308824423

# StyleWell™

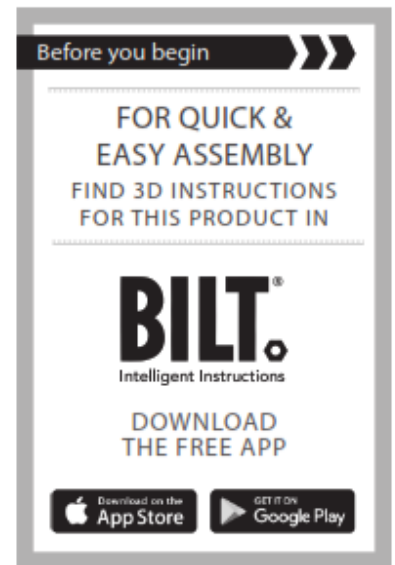
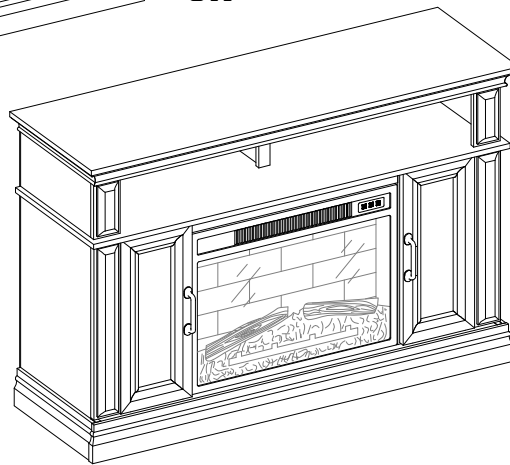
Model #WSFP48HD-38  
#WSFP48HD-38AE

## ASSEMBLY INSTRUCTIONS

### Flint Mill 48in Media Console Electric Fireplace



OR



**Questions, problems, missing parts?**  
**Before returning to the store, call Customer Service**  
**8 a.m. - 7 p.m., EST, Monday-Friday, 9 a.m. - 6 p.m., EST, Saturday**

**1-877-527-0313**

**HOMEDEPOT.COM**

#### **THANK YOU**

*We appreciate the trust and confidence you have placed in StyleWell through the purchase of this electric fireplace/heater. We strive to continually create quality products designed to enhance your home. Visit us online to see our full line of products available for your home improvement needs. Thank you for choosing StyleWell!*

# Table of Contents

Table of Contents.....2  
Safety Information.....2  
Warranty .....2  
Pre-Assembly.....2  
    Planning Assembly.....2

Tools Required .....2  
Hardware Included.....3  
Package Contents .....4  
Assembly.....5  
Care and Maintenance.....18

# Safety Information

Please read and understand these instructions before assembling and using this console. Save these instructions for future reference.

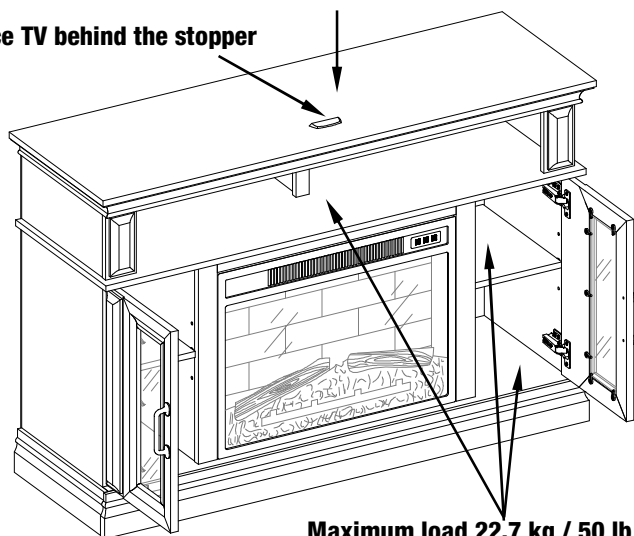
## MAXIMUM RECOMMENDED WEIGHT LOADS



**WARNING:** This unit is not intended for use with CRT TVs. Use only with flat panel TVs and audio/video equipment meeting recommended size and weight limits. Never use with larger/heavier than recommended flat panel TVs or equipment. To avoid instability, place flat panel TV in the centre of the unit; the base of the television must be able to rest on the supporting surface of the unit without over-hanging the edges. Improperly positioned flat panel TVs, or flat panel TVs or other equipment that exceed recommended size and weight limits could fall off or break the unit, causing possible serious injury.

Fits up to most 152.4 cm / 60 in. flat panel TVs  
Maximum load 61.2 kg / 135 lb

Place TV behind the stopper



# Warranty

We are confident that you will be delighted with this purchase. Should this product be defective in workmanship or materials, or fail under normal use, we will repair or replace it for a period of up to one (1) year from date of purchase.

This warranty gives you specific rights and you may also have other rights which vary from state to state.

Contact the Customer Service Team at 1-877-527-0313 or visit [www.HomeDepot.com](http://www.HomeDepot.com).

# Pre-Assembly

## PLANNING ASSEMBLY

Compare all parts with the Hardware Included and Package Contents list. If any part appears missing or damaged, do not assemble this product and contact the Customer Service Team at 1-877-527-0313.

## TOOLS REQUIRED



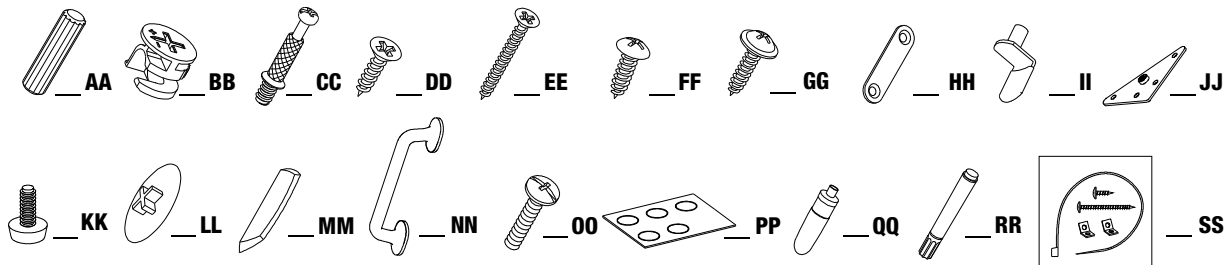
Phillips  
screwdriver  
(not provided)

# Pre-Assembly (continued)

## HARDWARE INCLUDED



NOTE: Hardware not shown to actual size.

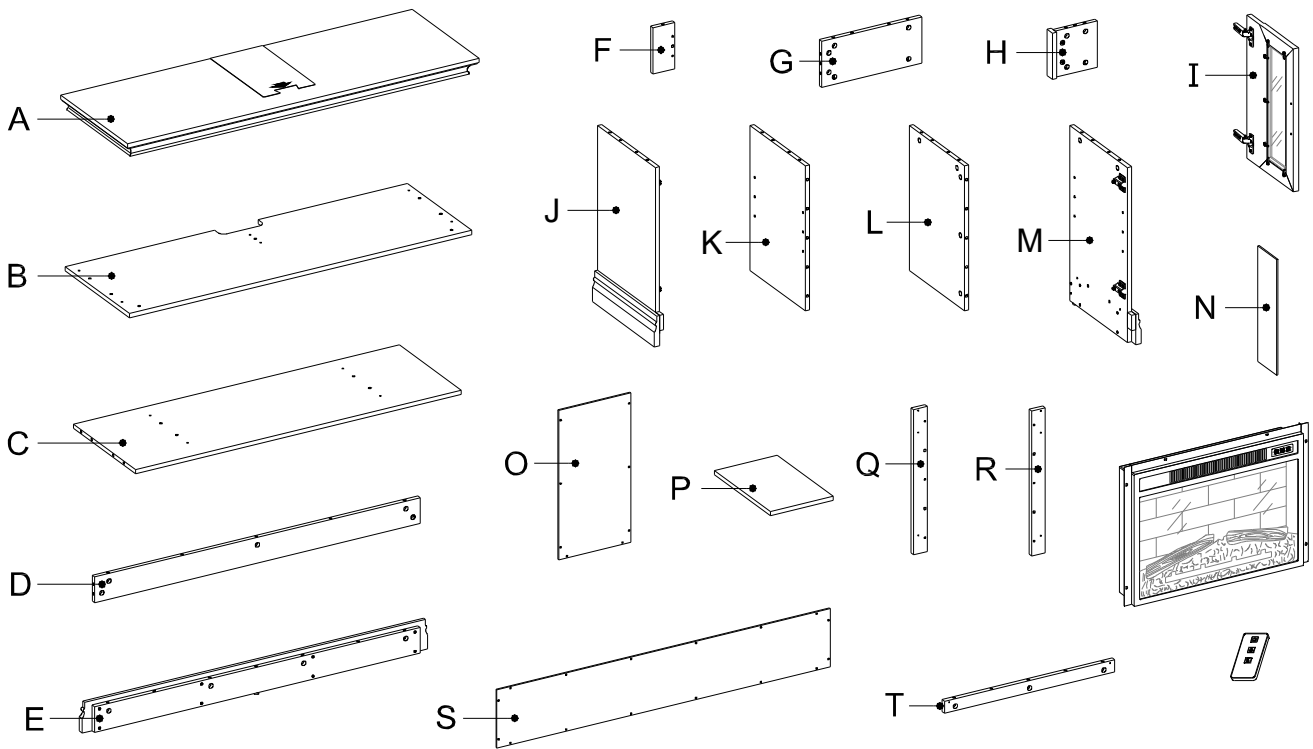


Part	Description	Quantity
AA	Wood dowel	45+2 extra
BB	Cam lock	46+2 extra
CC	Cam bolt	46+2 extra
DD	Short flat head screw	4+1 extra
EE	Long flat head screw	4+1 extra
FF	Short pan head screw	8+1 extra
GG	Washer head screw	32+1 extra
HH	Straight metal plate	2
II	Shelf support	8+1 extra
JJ	Triangle metal plate	2

Part	Description	Quantity
KK	Floor leveler	2
LL	Cam lock cover	32+1 extra
MM	Acrylic stopper	1
NN	Handle	2
OO	Handle bolt	4
PP	Rubber bumper	4+1 extra
QQ	Glue	1
RR	Touch-up pen	1
SS	Tipping restraint hardware kit	2

# Pre-Assembly (continued)

## PACKAGE CONTENTS



Part	Description	Quantity
A	Top panel	1
B	Center shelf	1
C	Bottom panel	1
D	Bottom back stretcher	1
E	Bottom front stretcher	1
F	Upper front molding	2
G	Upper side panel	2
H	Upper partition panel	1
I	Door with glass insert	2
J	Left lower side panel	1
K	Left lower partition panel	1

Part	Description	Quantity
L	Right lower partition panel	1
M	Right lower side panel	1
N	Wood door insert panel	2
O	Lower back panel	2
P	Adjustable shelf	2
Q	Left middle stile	1
R	Right middle stile	1
S	Upper back panel	1
T	Middle crossbar	1
	Fireplace insert	1
	Remote control with battery	1

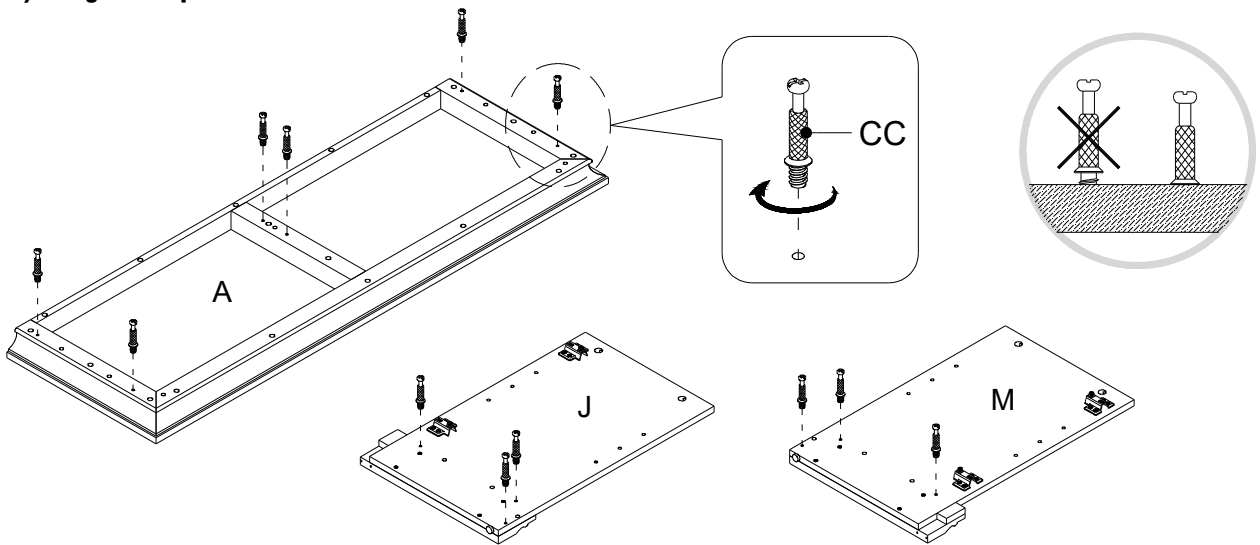
# Assembly

## 1 Screwing the cam bolts



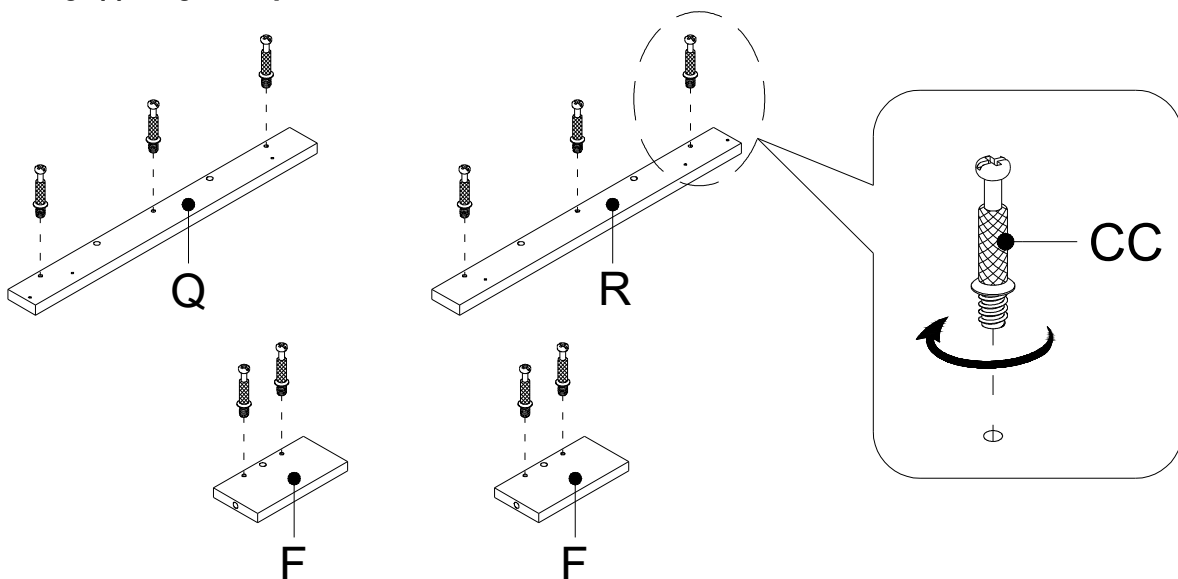
**NOTE:** Do not fully tighten all bolts until you finish assembling all parts. Once assembled, go back and fully tighten all bolts. This will make the assembly easier.

- Unpack the unit and confirm that you have all the hardware and required parts. Assemble the unit on a carpeted floor or the empty carton to avoid any scratches.
- Securely screw the cam bolts (CC) into the designated small holes on the top panel (A) and the lower side panels (J and M) using a Phillips screwdriver.



## 2 Screwing the cam bolts

- Securely screw the cam bolts (CC) into the designated small holes on the middle stiles (Q and R) and upper front moldings (F) using a Phillips screwdriver.



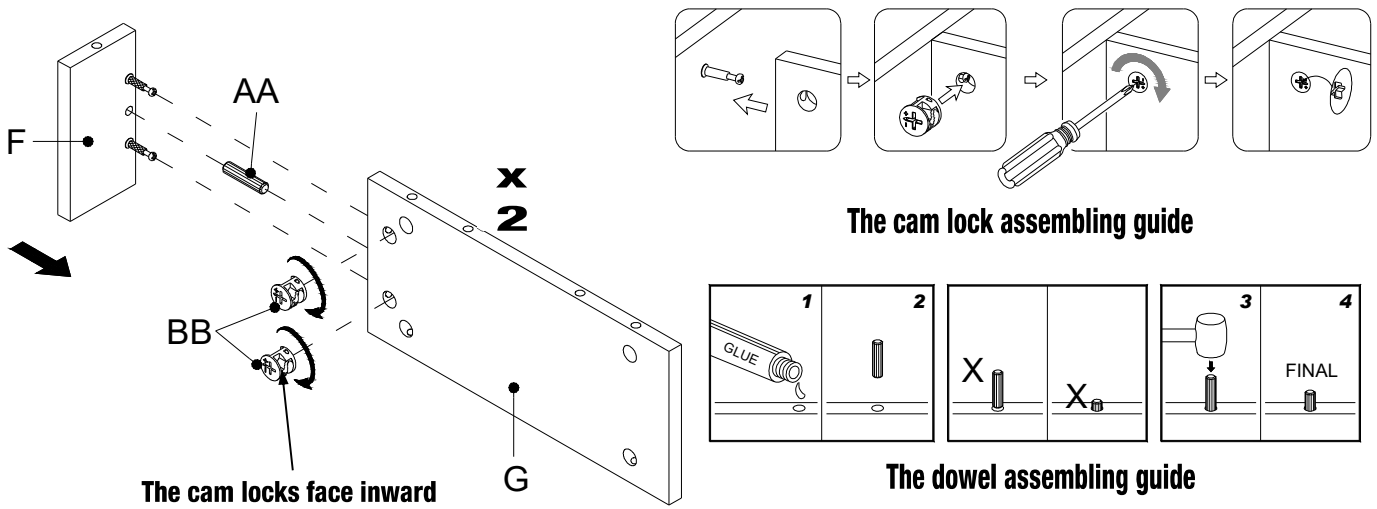
## Assembly (continued)

### 3 Combining the upper moldings and side panels



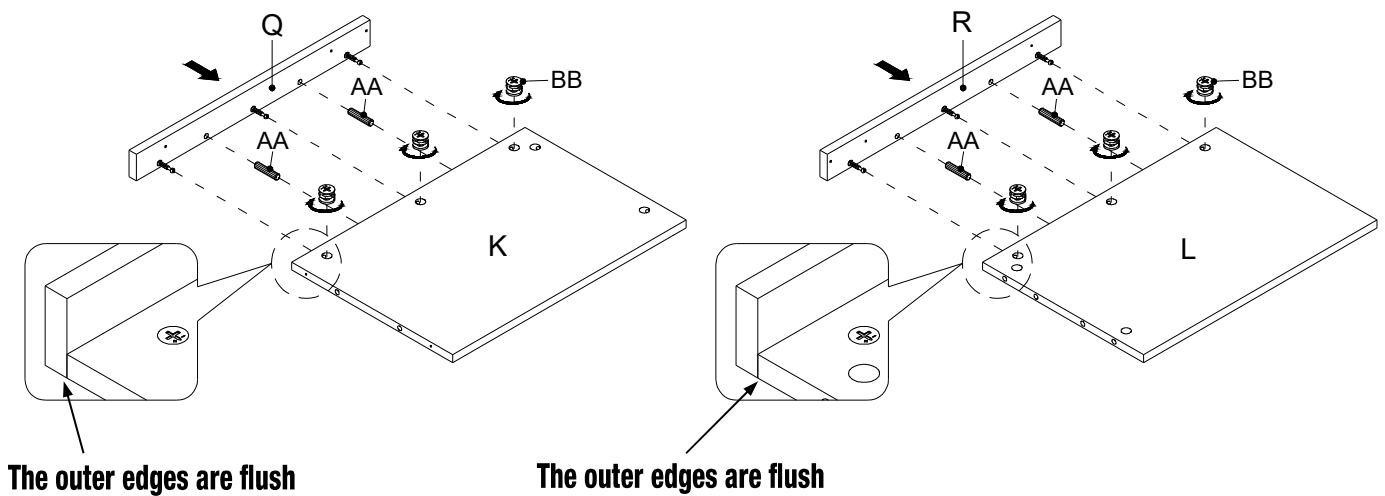
**NOTE:** Refer to the dowel and cam lock assembling guide drawings in this step for further clarification on how to properly glue in the wooden dowels and install cam locks. Apply this method whenever instructed to install wood dowels and cam locks.

- Glue one wood dowel (AA) into the inner hole of one upper side panel (G) and attach it to one upper front molding (F) by engaging two cam locks (BB) as shown.
- Repeat the same procedure to combine the other upper front molding (F) and the remaining upper side panel (G) together.



### 4 Combining the middle stiles and lower partition panels

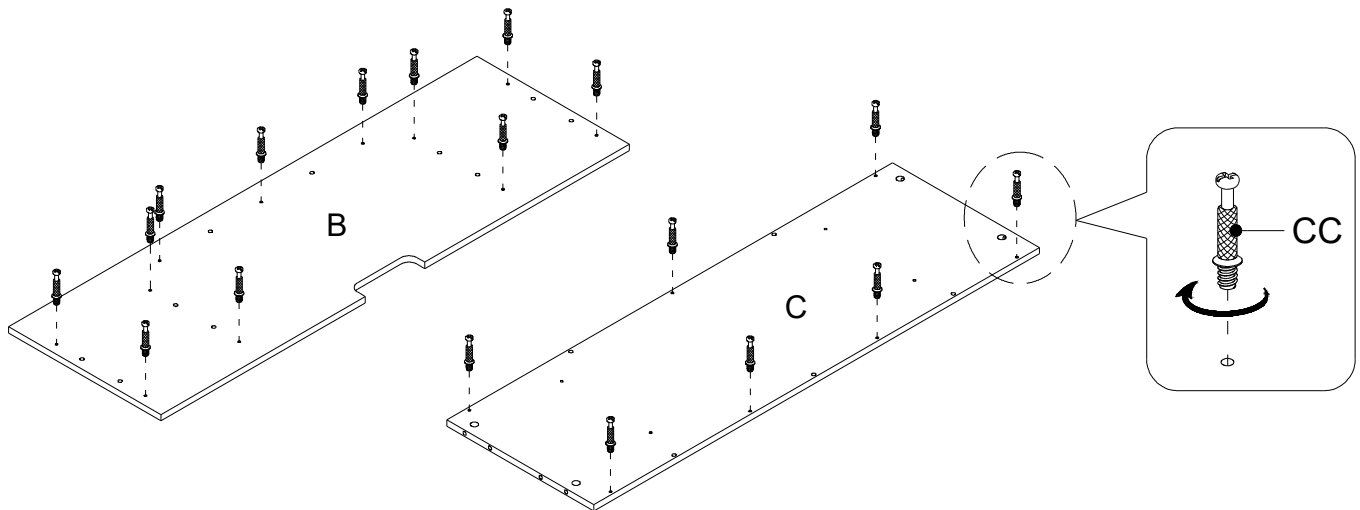
- Glue two wood dowels (AA) into the inner hole of the left lower partition panel (K) and attach it to the left middle stile (Q) by engaging three cam locks (BB) as shown.
- Repeat the same procedure to combine the right middle stile (R) and the right lower partition panel (L) together.



## Assembly (continued)

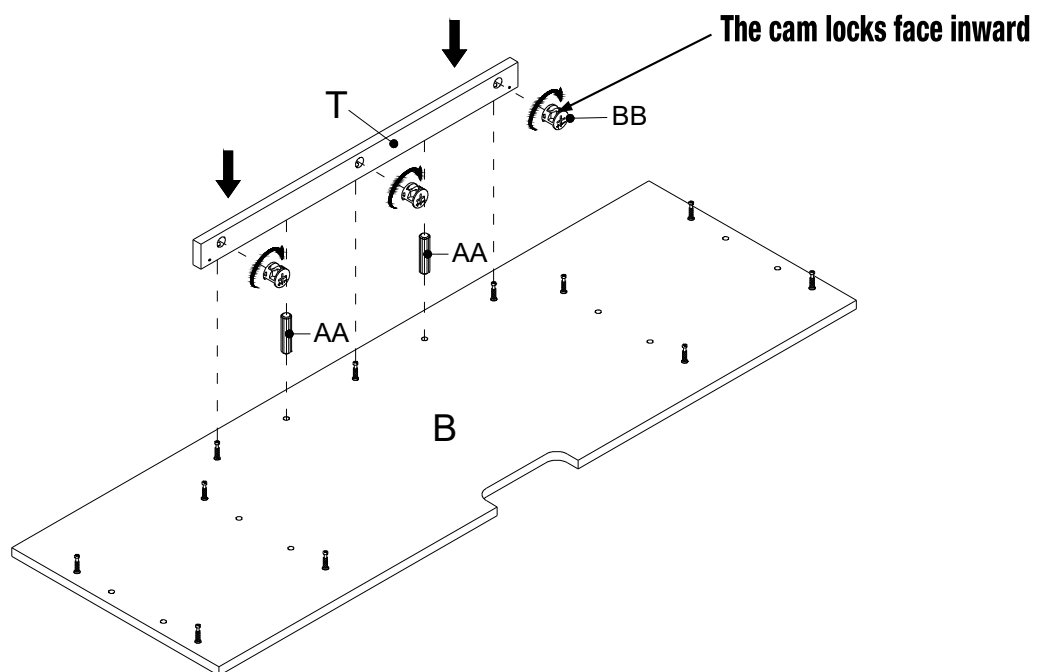
### 5 Screwing the cam bolts

- Securely screw the cam bolts (CC) into the designated small holes on the center shelf (B) and bottom panel (C) using a Phillips screwdriver.



### 6 Attaching the middle crossbar

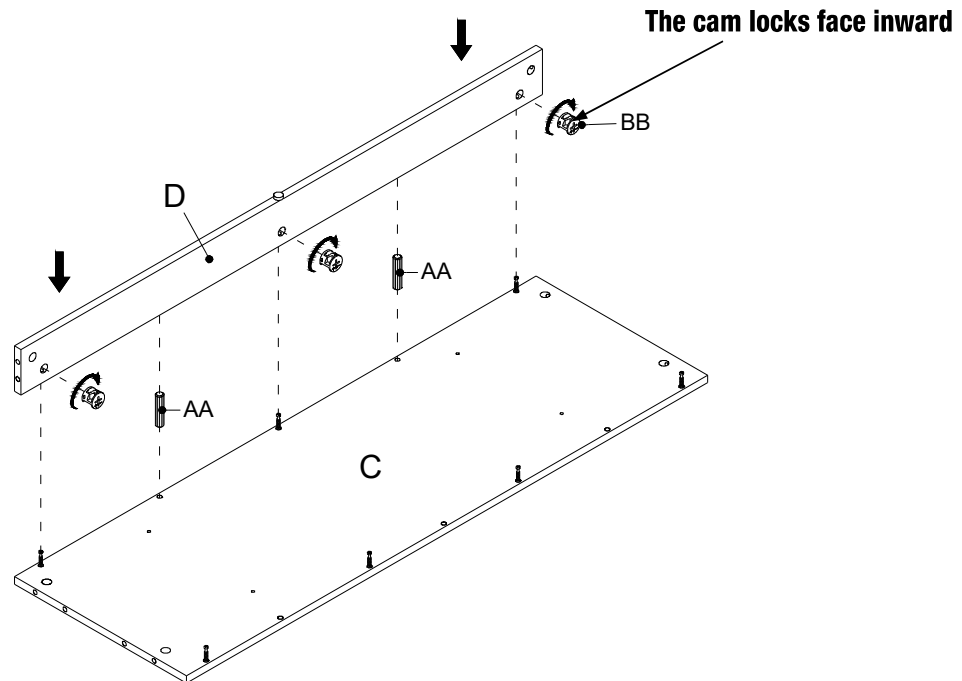
- Glue two wood dowels (AA) into the inner holes on the middle crossbar (T) and attach it to the center shelf (B) by engaging three cam locks (BB).



## Assembly (continued)

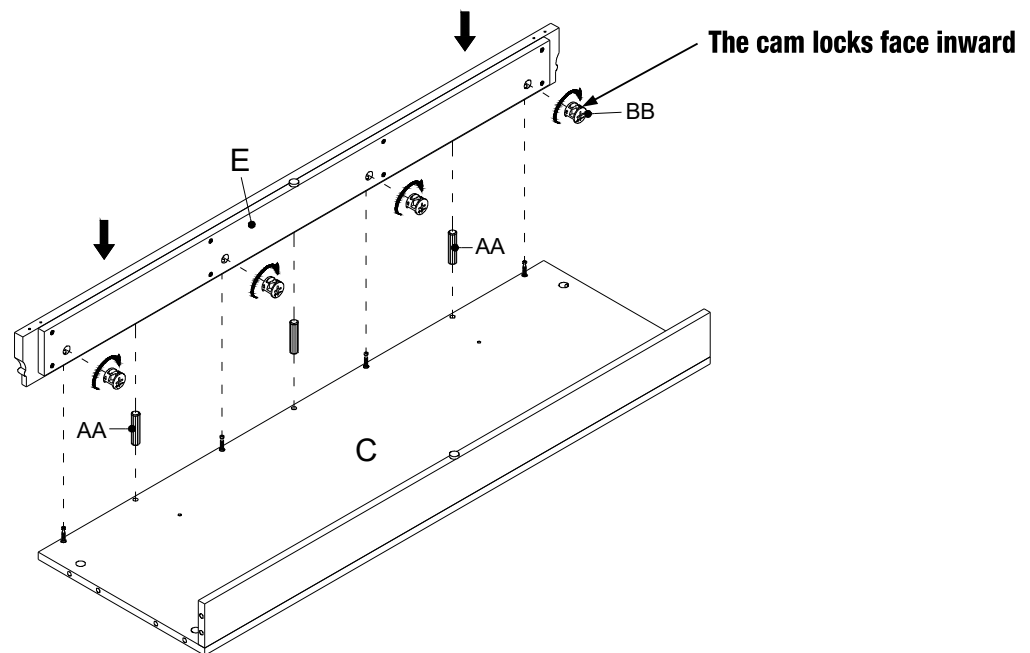
### 7 Attaching the bottom back stretcher

- Glue two wood dowels (AA) into the inner holes on the bottom back stretcher (D) and attach it to the bottom panel (C) by engaging three cam locks (BB).



### 8 Attaching the bottom front stretcher

- Glue three wood dowels (AA) into the inner holes on the bottom front stretcher (E) and attach it to the bottom panel (C) by engaging four cam locks (BB).



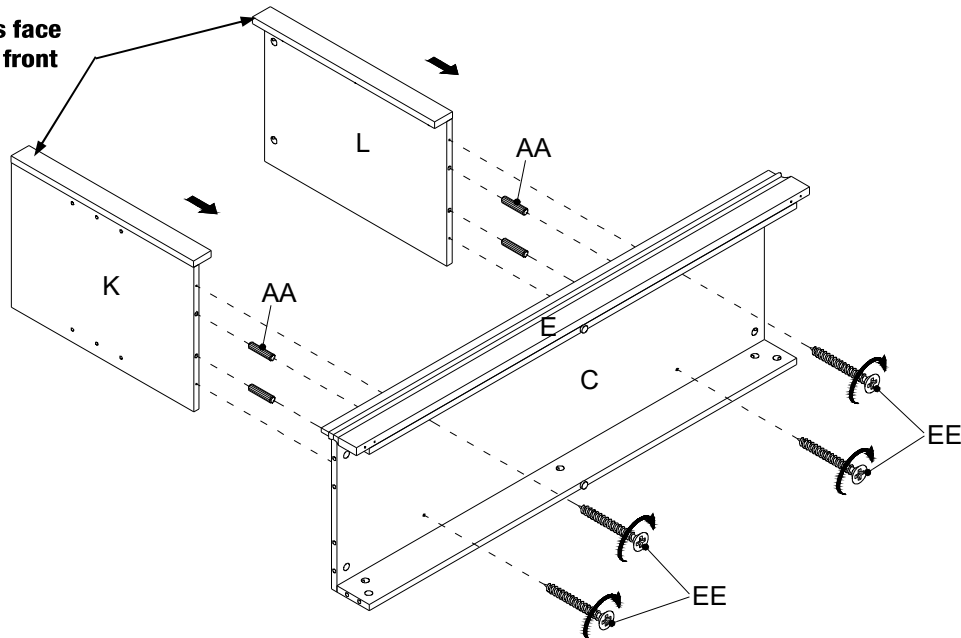


## Assembly (continued)

### 9 Attaching the lower partition panels

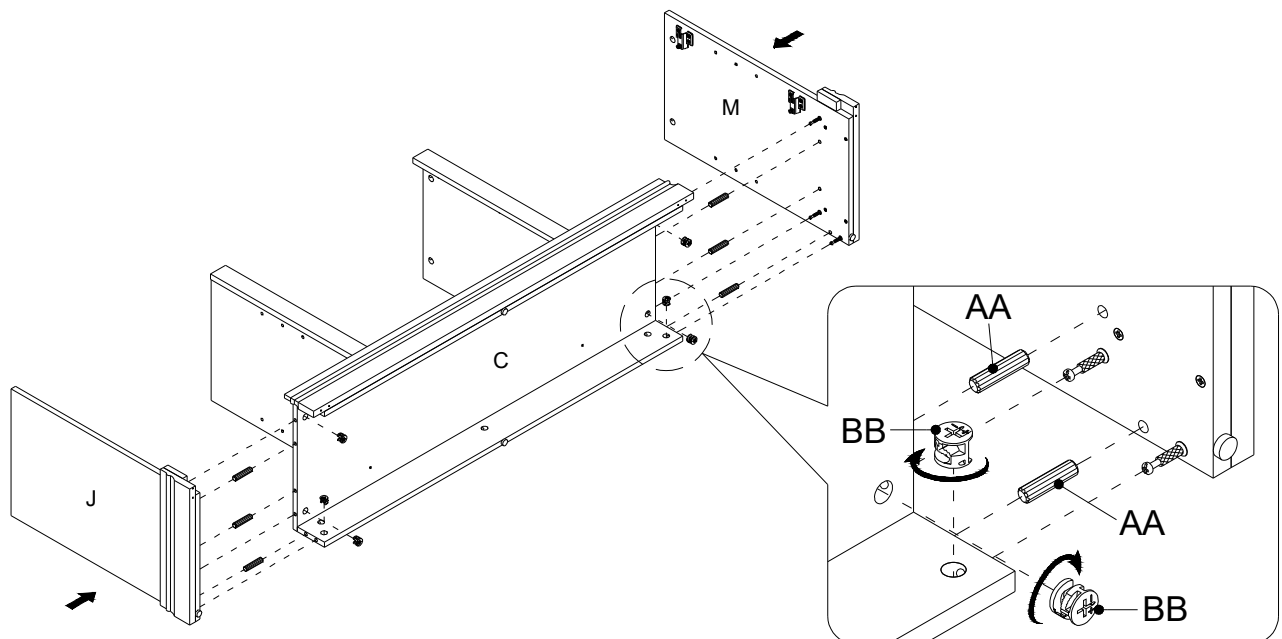
- Align and attach the lower partition panels (K and L) to the bottom panel (C) with four wood dowels (AA) and four long flat head screws (EE).

The stiles face inward and front



### 10 Attaching the side panels

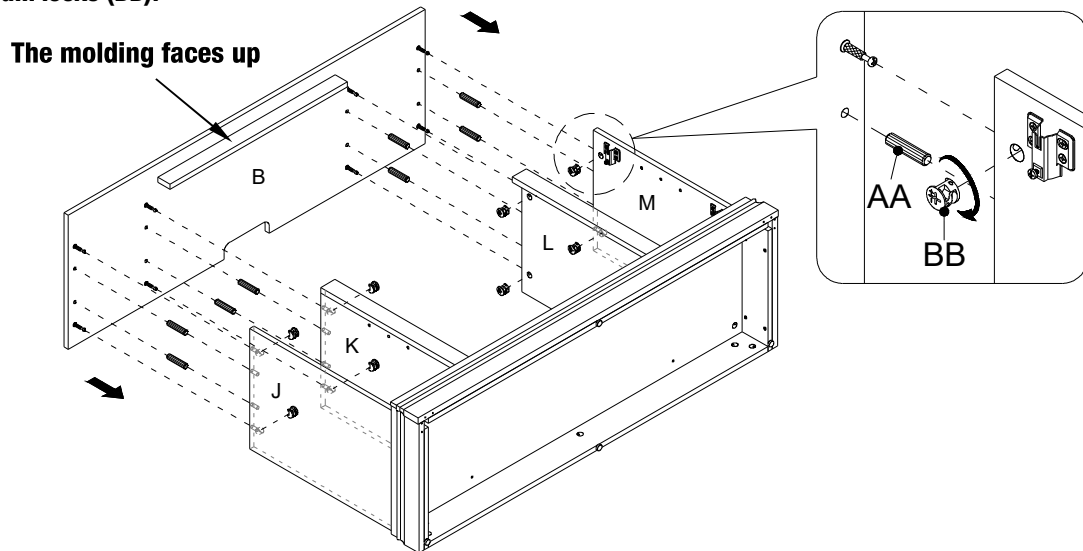
- Glue six wood dowels (AA) into the inner holes of the bottom panel assembly at both ends.
- Align the large holes on both side panels (J and M) with the inserted wood dowels (AA) and press them together. Attach the side panels (J and M) in place by engaging six cam locks (BB).



## Assembly (continued)

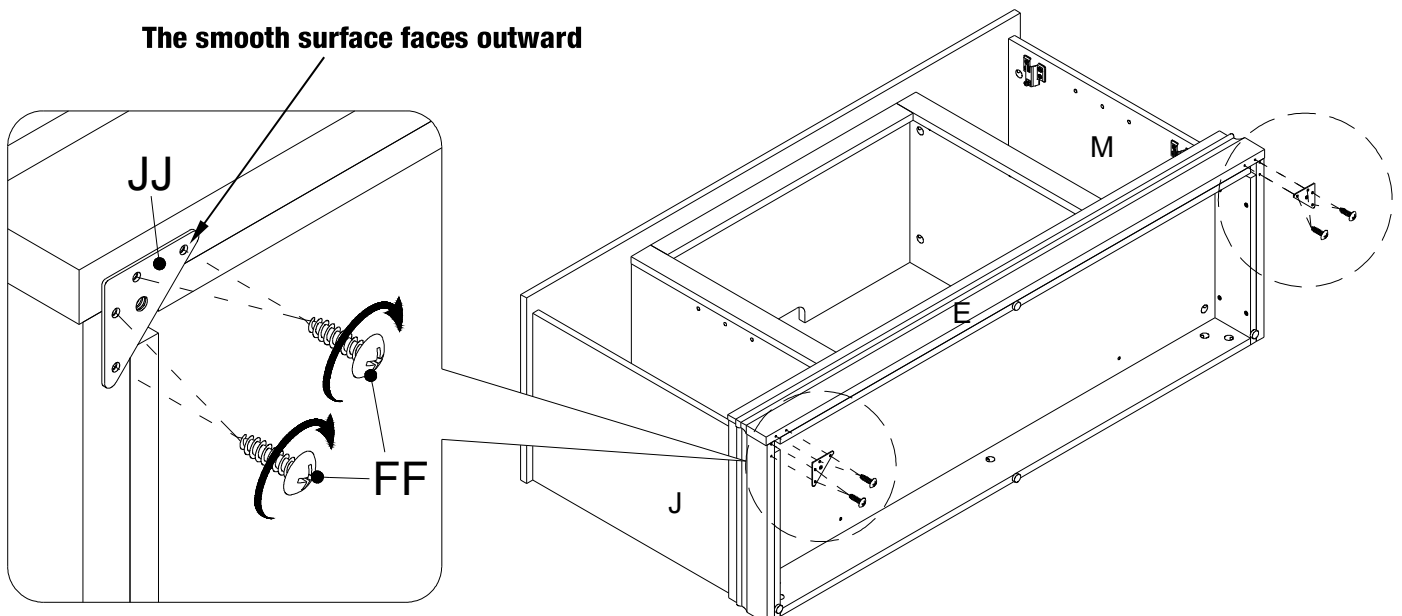
### 11 Attaching the center shelf

- Glue eight wood dowels (AA) into the top inner holes of both side panels (J and M) and partition panels (K and L).
- Ask for assistance to position the center shelf (B) onto the inserted wood dowels (AA) and attach it in place by engaging eight cam locks (BB).



### 12 Installing the triangle metal plates

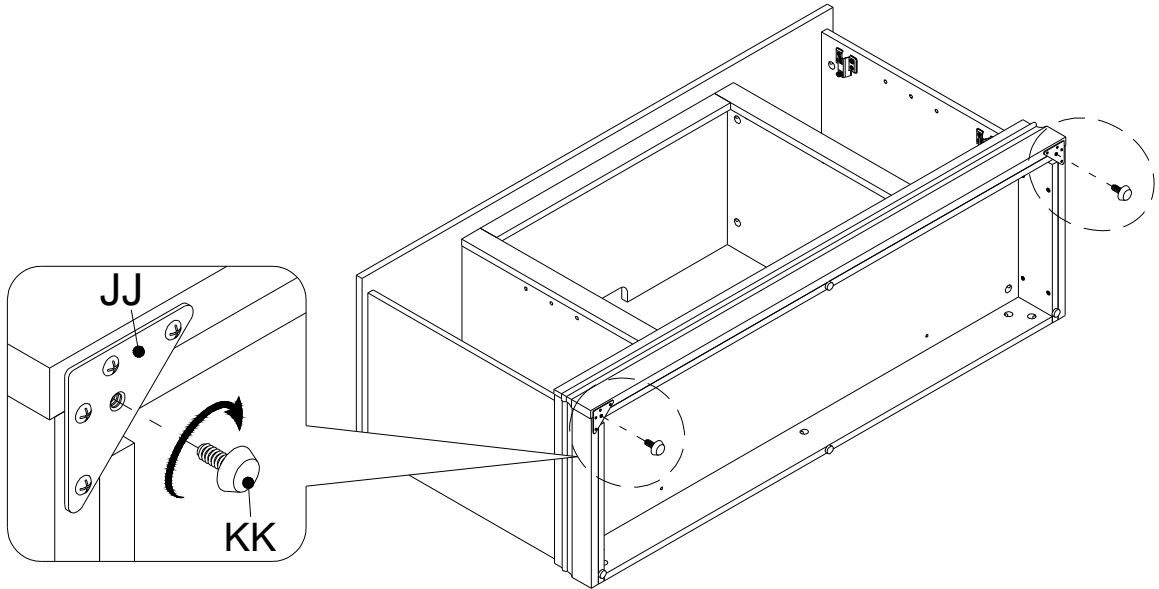
- Using the pilot holes as a guide, fasten two triangle metal plates (JJ) at the bottom joints between the bottom front stretcher (E) and side panels (J and M) using four short pan head wood screws (FF) per plate.



## Assembly (continued)

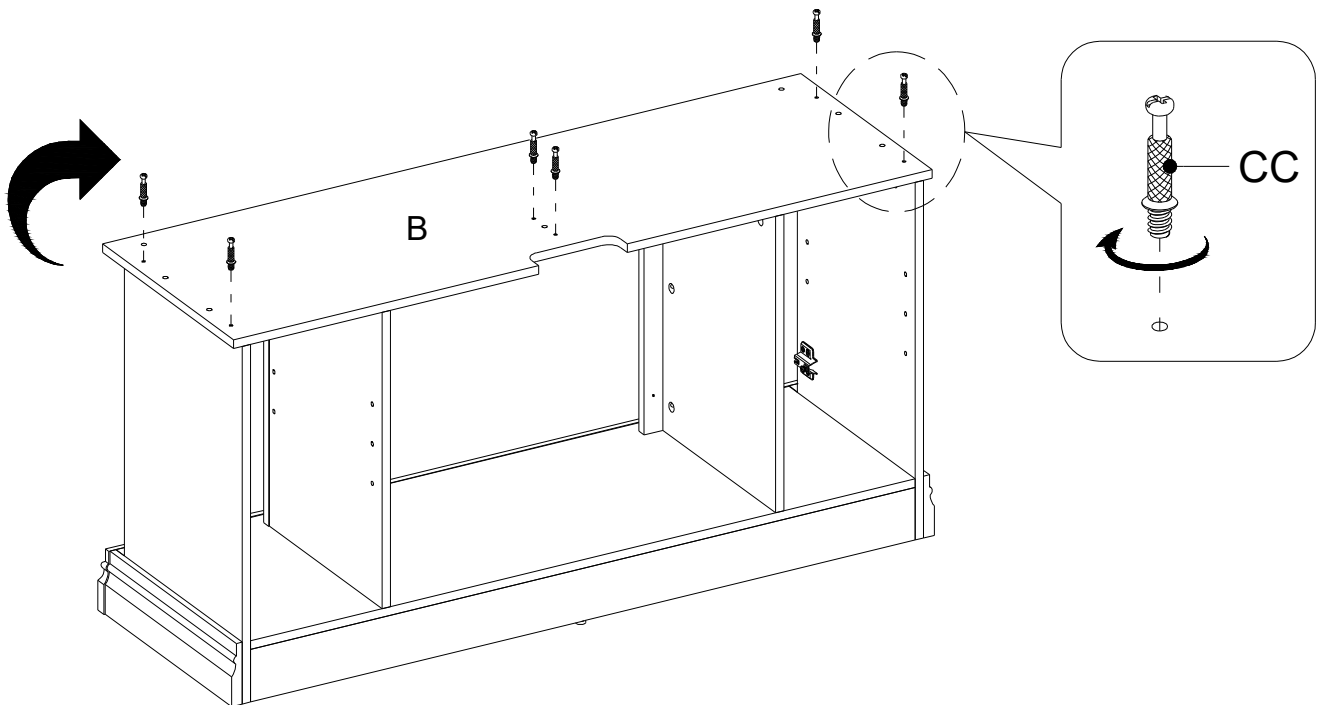
### 13 Installing the floor levelers

- Screw two floor levelers (KK) into the installed triangle metal plates (JJ).



### 14 Screwing the cam bolts

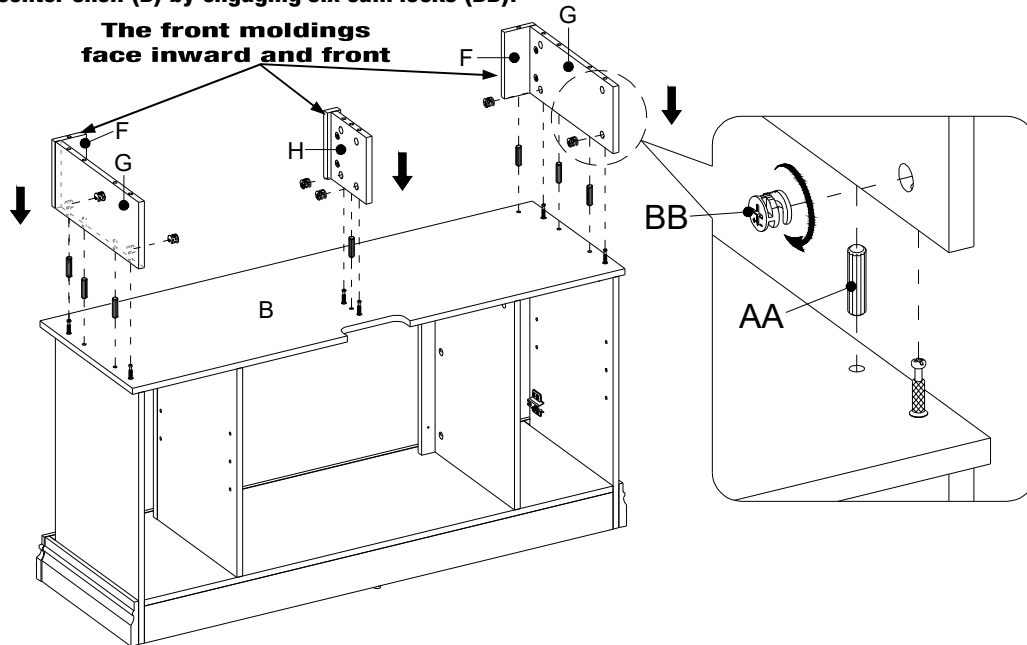
- Stand the assembled unit upright.
- Securely screw the cam bolts (CC) into the designated small holes on the center shelf (B) using a Phillips screwdriver.



## Assembly (continued)

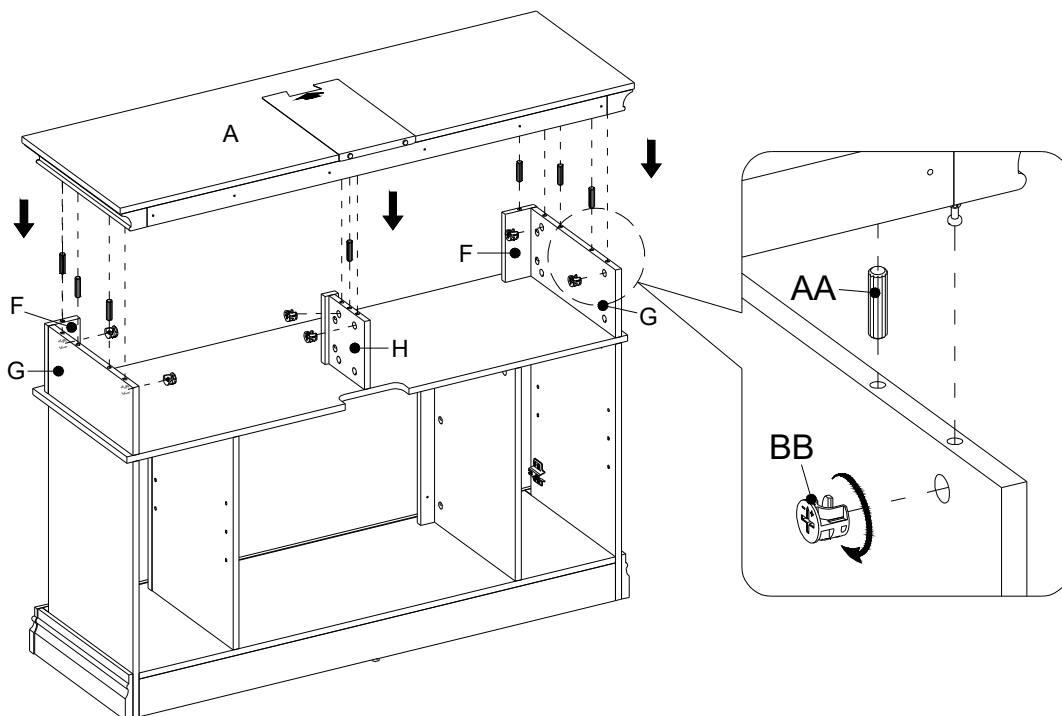
# 15 Attaching the upper side panels and partition panel

- Glue seven dowels (AA) into the inner holes of both upper side panel assemblies and partition panel (H) and attach them to the center shelf (B) by engaging six cam locks (BB).



# 16 Attaching the top panel

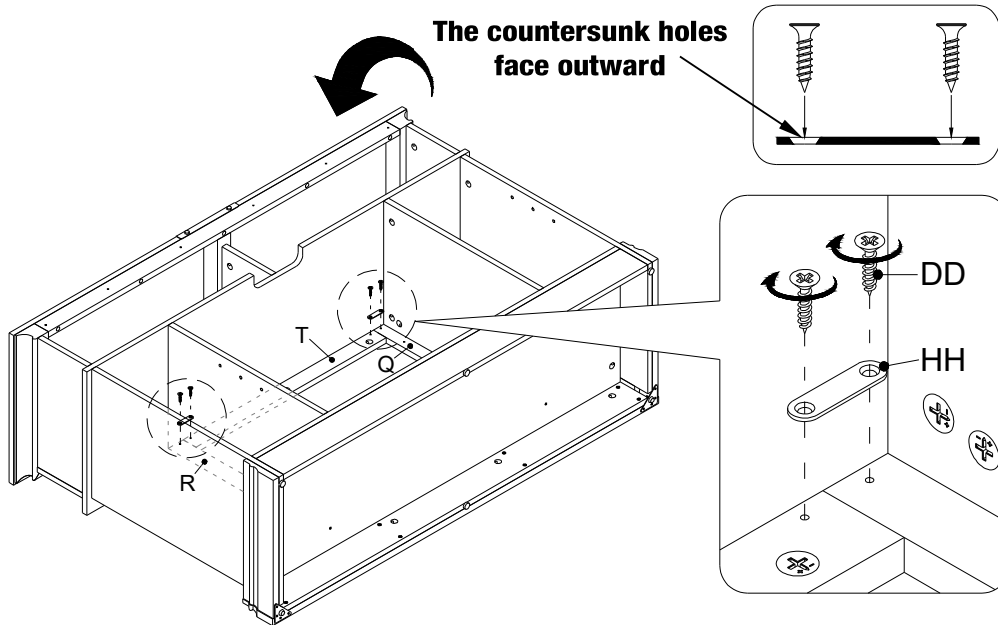
- Glue seven wood dowels (AA) into the top inner holes on both upper side panel assemblies and partition panel (H). Position the top panel (A) onto the inserted wood dowels (AA) and fasten it in place by engaging six cam locks (BB).



## Assembly (continued)

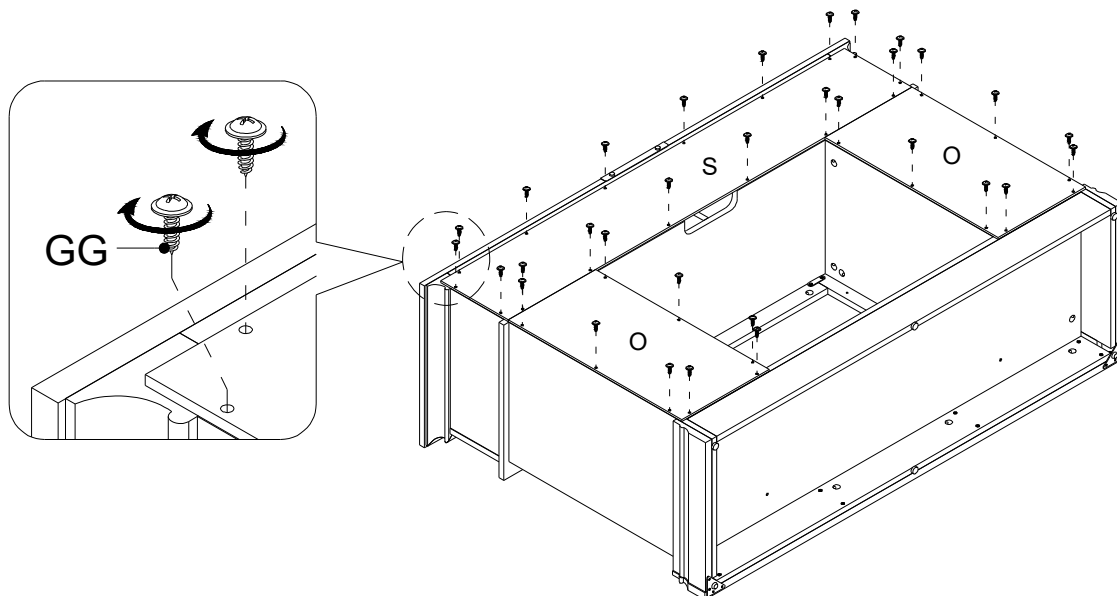
### 17 Fastening the middle crossbar

- Ask for assistance to lay down the assembled unit at its front edges.
- Using the pilot holes as a guide, attach two small metal plates (HH) at the joints where the middle crossbar (T) meets the middle stiles (Q and R) with four short screws (DD).



### 18 Attaching back panels

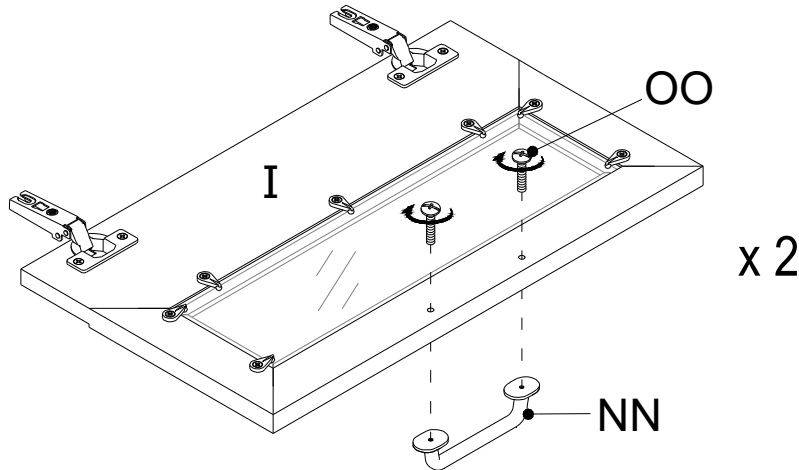
- Pick up the upper back panel (S) and align the drilled holes against the upper long edge with the pilot holes on the back stretcher of the top panel (A). Attach the upper back panel (S) in place using the provided washer head screws (GG).
- Align and attach two lower back panels (O) to the lower side panels (J and M) and partition panels (K and L) with the provided washer head screws (GG), using the pilot holes as a guide.



## Assembly (continued)

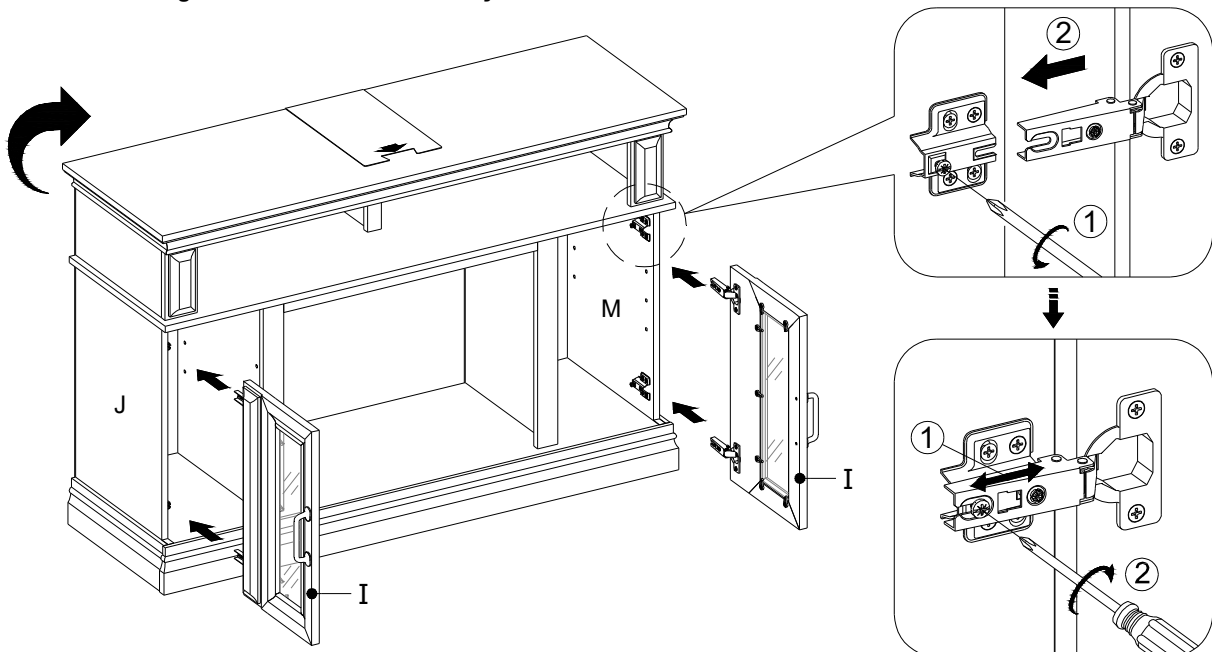
### 19 Installing the handles

- Attach one handle (NN) to the front side of each door (I) with the handle bolts (OO).



### 20 Attaching the doors

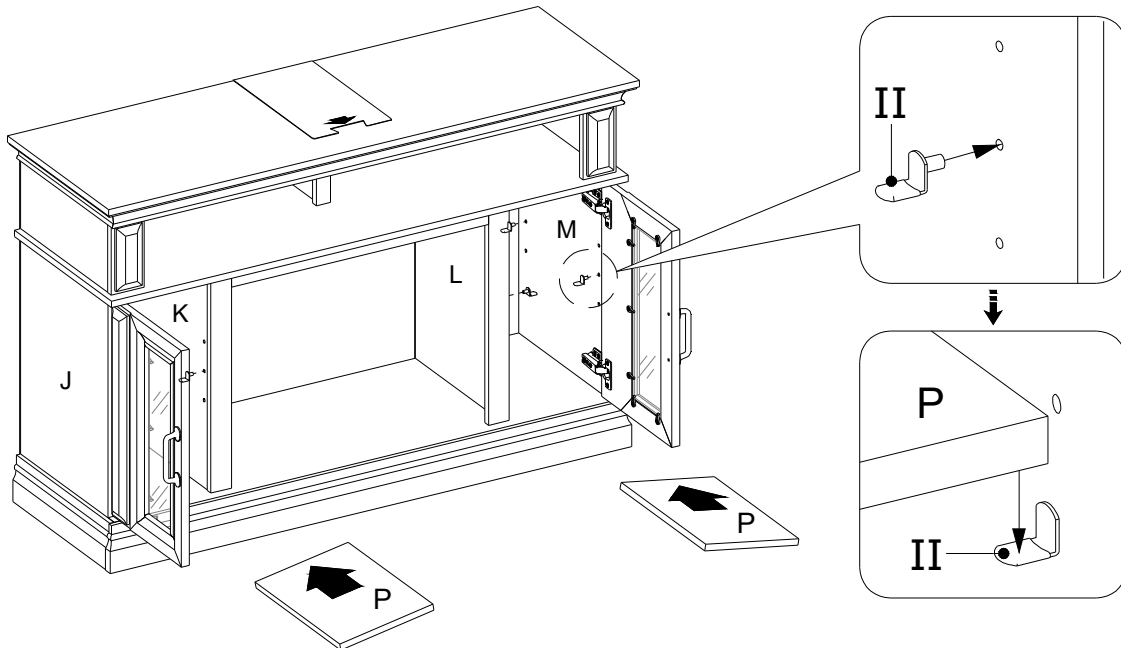
- Stand the assembled unit upright.
- Pick up one door (I) and attach the extended hinge arms to the hinge bases installed on the left side panel (J). Loosen the bolt on the back of the hinge base for an easy fit. Align and insert the “U” slot on the hinge arm under the bolt head on the back of the hinge base. Make sure that both door hinges engage and function properly. Tighten the bolt on the hinge base to lock the hinges in place.
- Repeat the same procedure to attach the other door (I) at the opposite side.
- Open and close the doors to make sure they are aligned and shut correctly. If necessary, adjust the screws for a good fit. Refer to the hinge sticker on the door for adjustment.



## Assembly (continued)

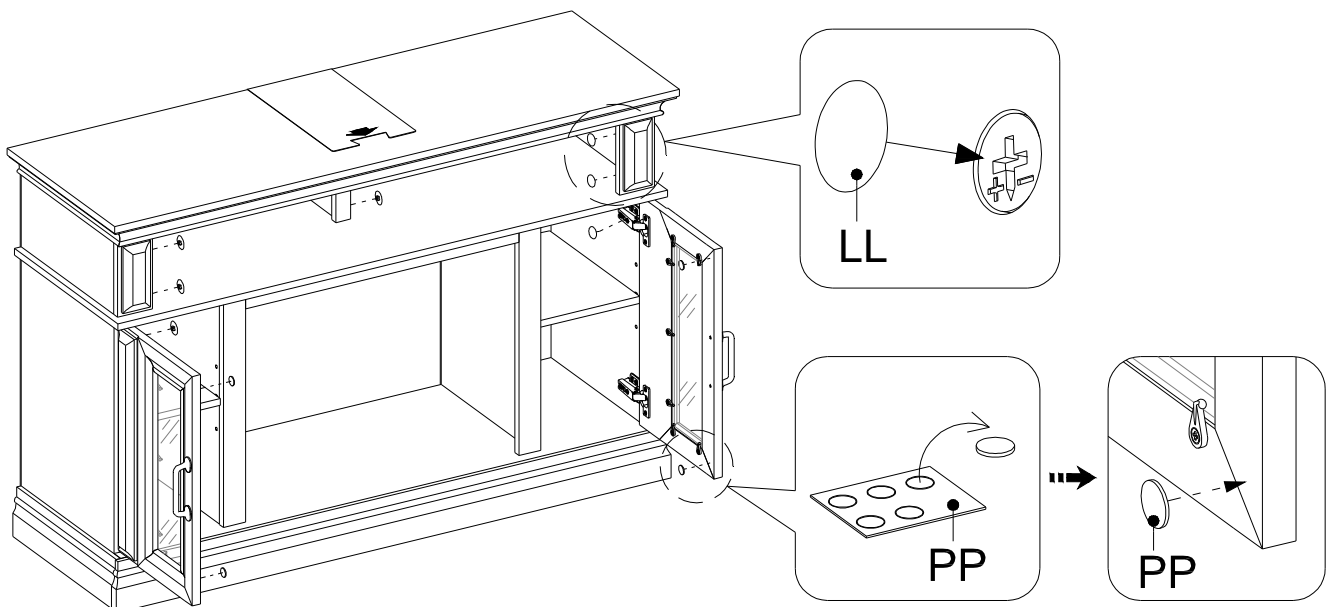
### 21 Installing the adjustable shelves

- Open the doors (I) and insert four shelf supports (II) into the desired holes inside each side compartment. Make sure you place the four shelf supports in the same level so the shelf is not tilted. Rest the adjustable shelves (P) onto the shelf supports (II).



### 22 Attaching the rubber bumpers and cam lock covers

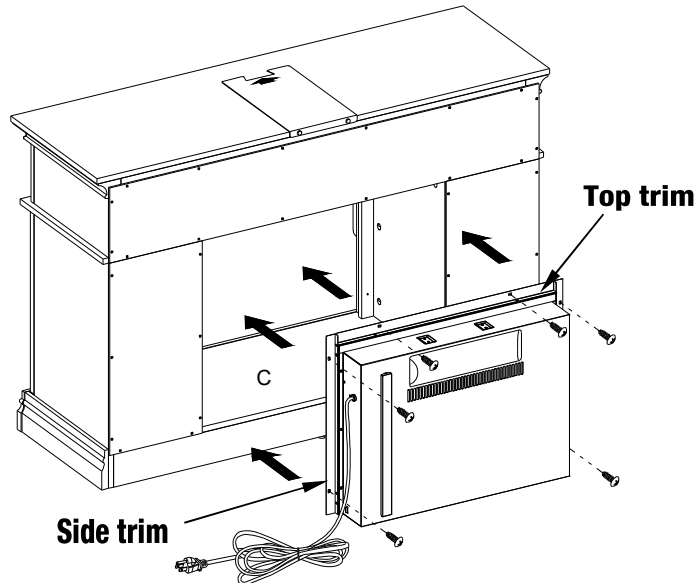
- Stick the rubber bumpers (PP) at the outer corners of both doors (I) where they meet the middle stiles (Q and R).
- Plug the cam lock covers (LL) onto the visible cam locks to conceal the cams.



## Assembly (continued)

### 23 Installing the fireplace insert

- Unpack the fireplace insert from the inner box and follow the instructions to install the Top Trim and Side Trims to the fireplace insert.
- Lift the fireplace insert carefully into the back of the assembled mantel and center it in the opening. **DO NOT** drag the insert across the bottom panel (C) as it may scratch the unit.
- Fasten the fireplace insert to the mantel with six insert screws as shown.



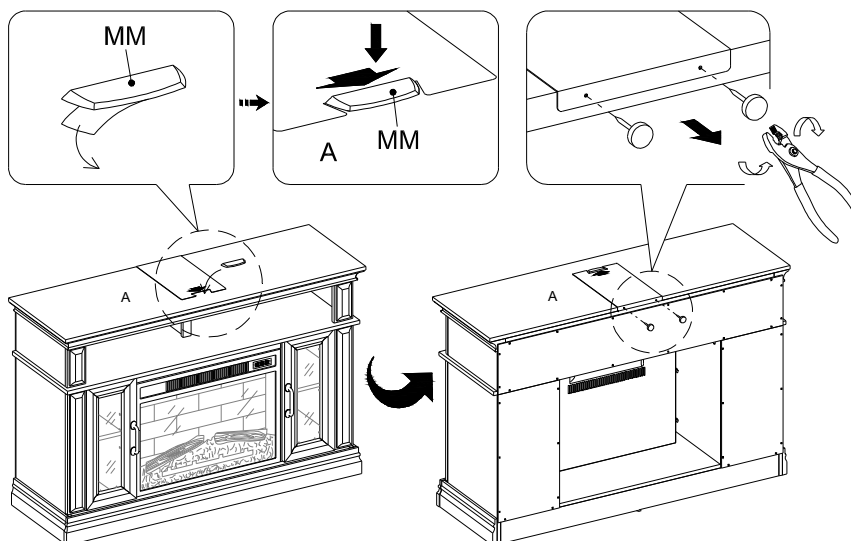
### 24 Installing the acrylic stopper

- Remove the paper backing of acrylic stopper (MM), then properly align the acrylic stopper into the cut-out on the acrylic stopper template on the front of the top panel (A). Press down on the acrylic stopper to help adhesion.



**NOTE:** To prevent your TV from tipping, you must install the acrylic TV stopper if you place a flat panel television on the top panel. Otherwise, skip to next step.

- At the back of top panel (A), grip the heads of plastic tacks with pliers, with twisting motion pull tacks loose to remove the acrylic stopper template.





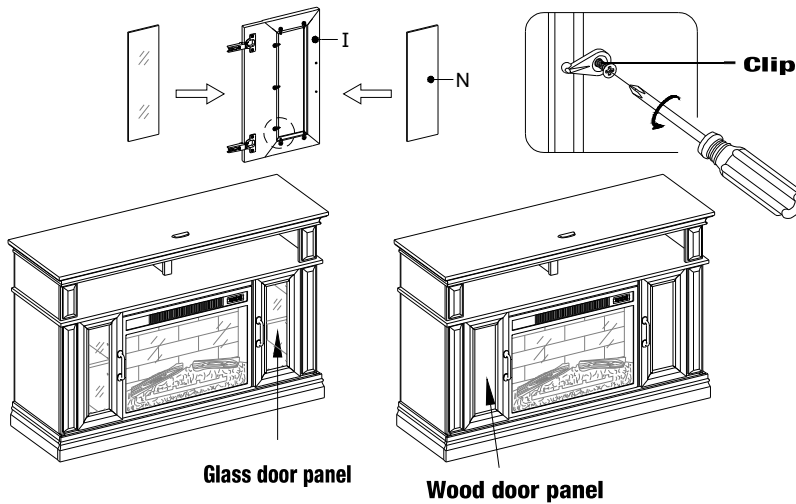
## Assembly (continued)

# 25 Interchanging wood door panels

- To change door panels, loosen the screws on the inside of the door and rotate the clips to remove the panel. Replace with the desired panel, then rotate clips to secure the panel within the door frame and tighten screws.



**NOTE:** The glass door panels are pre-attached when shipping. You can keep as is or interchange as the desired configuration.

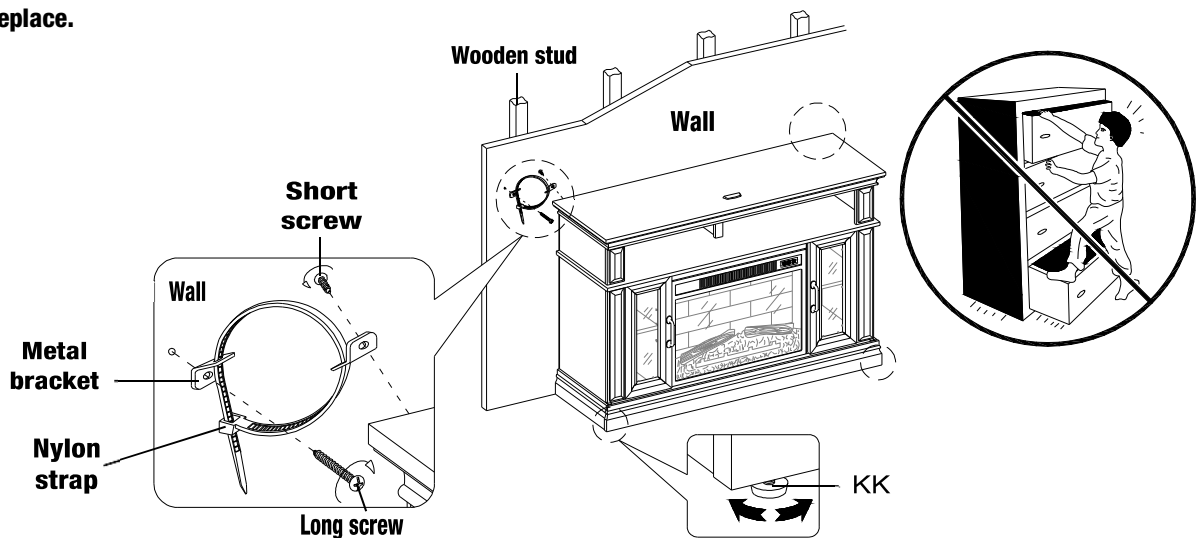


# 26 Installing the tipping restraint hardware



**WARNING:** Young children can be seriously injured by tipping furniture. You must install the tipping restraint hardware with the unit to prevent the unit from tipping, causing any accidents or damage. The tipping restraints are intended only as a deterrent, they are not a substitute for proper adult supervision. The tipping restraints are not earthquake restraints. If you wish to add the extra security of earthquake restraints, they must be purchased and installed separately.

- With assistance, position the assembled fireplace at the desired location against a wall. If necessary, adjust the installed floor levelers (KK) by hand to correct tilting and level the doors, until the unit is level.
- Follow the instructions printed on the plastic bag containing the tipping hardware to attach the tip-over restraint to the unit and the wall.
- Connect the fireplace to the power transformer. Follow the operating manual for the electric fireplace insert to control your fireplace.



## Care and Maintenance

A touch-up pen has been provided to minimize the small nicks or scratches that may occur during assembly or shipping.

To clean and care for your furniture:

- Use a soft, clean cloth that will not scratch the surface when dusting.
- Use of furniture polishes is not necessary. Should you choose to use polishes, test first in an inconspicuous area.
- Using solvents of any kind on your furniture may damage the finish.
- Never use water to clean your furniture as it may cause damage to the finish.
- Always use coasters under beverage glasses and flowerpots.
- Liquid spills should be removed immediately. Using a soft clean cloth, blot the spill gently. Avoid rubbing.
- Always use protective pads under hot dishes and plates. Heat can cause chemical changes that may create spotting within the furniture finish.
- In the event that your furniture is stained or otherwise damaged during use, we recommend that you call a professional to repair your furniture.
- Check bolts/screws periodically and tighten them if necessary.

### CARING FOR WOOD FURNITURE

It is best to keep your furniture in a climate-controlled environment. Extreme temperature and humidity changes can cause fading, warping, shrinking and splitting of wood. It is advised to keep furniture away from direct sunlight as sun may damage the finish.

Proper care and cleaning at home will extend the life of your purchase. Following these important and helpful tips will enhance your furniture as it ages.

### CLEANING THE FIREPLACE TRIM

Clean the metal trim using a soft cloth, slightly dampened with citrus oil based product and buff with a clean soft cloth. **DO NOT** use brass polish or household cleaners as these products will damage the metal trim. Citrus oil based products can be obtained at supermarkets or hardware stores.



# **StyleWell™**

**Questions, problems, missing parts? Before returning to the store,  
call StyleWell Customer Service  
8 a.m. - 7 p.m., EST, Monday-Friday, 9 a.m. - 6 p.m., EST, Saturday**

**1-877-527-0313**

**HOMEDEPOT.COM**

**Retain this manual for future use.**