

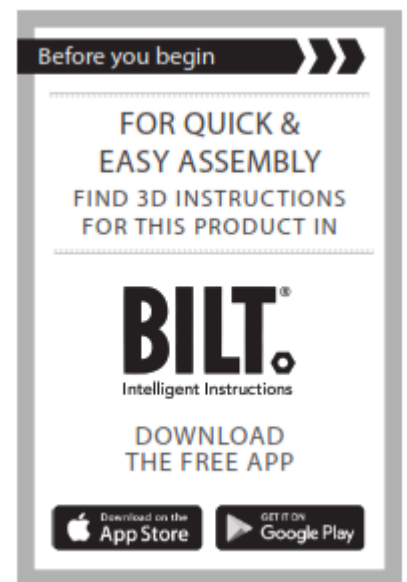
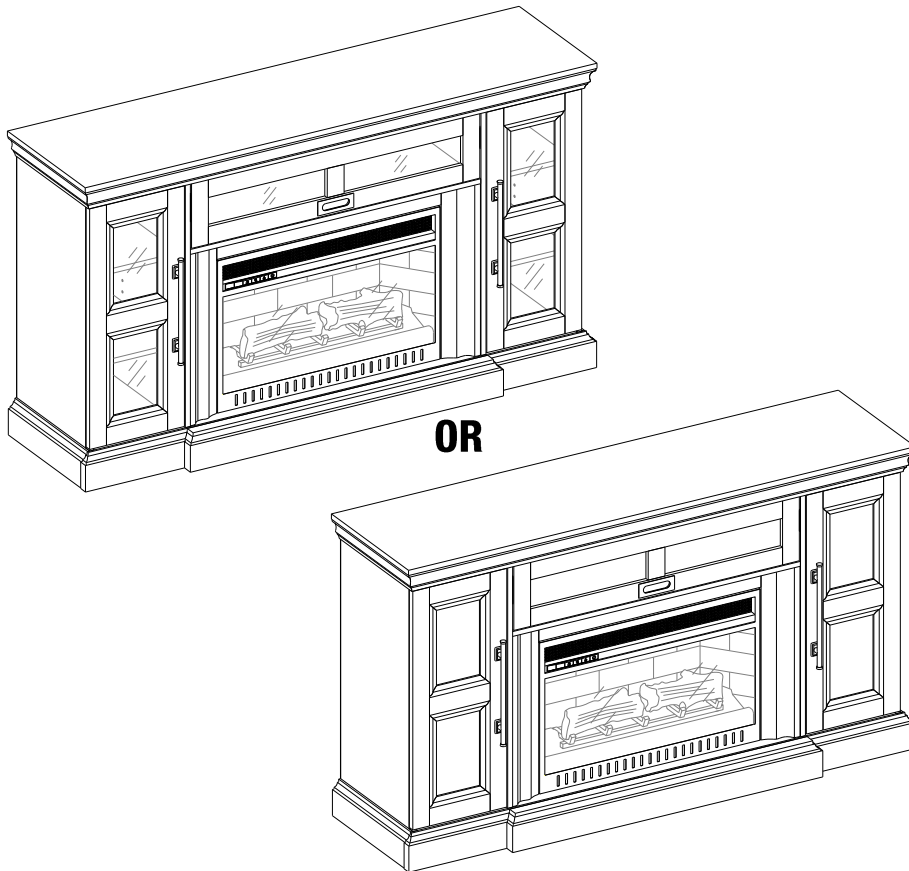
OMSID # 308824431  
OMSID # 308824425

# HOME DECORATORS COLLECTION

Model # WSFP60HD-39  
# WSFP60HD-39AE

## ASSEMBLY INSTRUCTIONS

### Abigail 60in Media Console Infrared Electric Fireplace



Questions, problems, missing parts? Before returning to the store,  
call Home Decorators Collection Customer Service  
8 a.m. - 7 p.m., EST, Monday-Friday  
9 a.m. - 6 p.m., EST, Saturday

1-800-986-3460

[HOMEDEPOT.COM/HOMEDECORATORS](http://HOMEDEPOT.COM/HOMEDECORATORS)

#### THANK YOU

*We appreciate the trust and confidence you have placed in Home Decorators Collection through the purchase of this fireplace console. We strive to continually create quality products designed to enhance your home. Visit us online to see our full line of products available for your home improvement needs. Thank you for choosing Home Decorators Collection!*

# Table of Contents


Table of Contents.....2  
Safety Information.....2  
Warranty .....2  
Pre-Assembly .....2  
    Planning Assembly.....2  
    Tools Required .....2

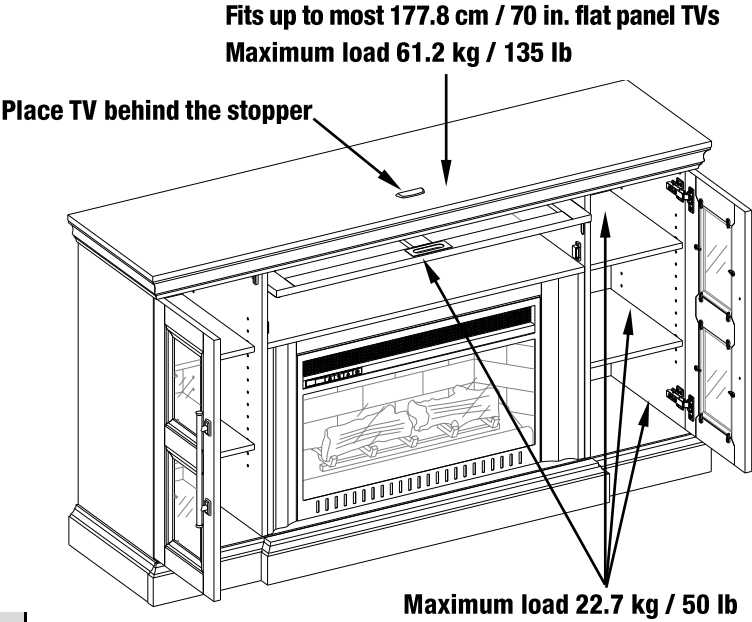
Hardware Included.....3  
Package Contents .....4  
Assembly.....5  
Care and Maintenance.....18

# Safety Information

Please read and understand these instructions before assembling and using this console. Save these instructions for future reference.

## MAXIMUM RECOMMENDED WEIGHT LOADS

 **WARNING:** This unit is not intended for use with CRT TVs. Use only with flat panel TVs and audio/video equipment meeting recommended size and weight limits. Never use with larger/heavier than recommended flat panel TVs or equipment. To avoid instability, place flat panel TV in the centre of the unit; the base of the television must be able to rest on the supporting surface of the unit without over-hanging the edges. Improperly positioned flat panel TVs, or flat panel TVs or other equipment that exceed recommended size and weight limits could fall off or break the unit, causing possible serious injury.



# Warranty

We are confident that you will be delighted with this purchase. Should this product be defective in workmanship or materials, or fail under normal use, we will repair or replace it for a period of up to one (1) year from date of purchase. This warranty gives you specific rights and you may also have other rights which vary from state to state. Contact the Customer Service Team at 1-800-986-3460 or visit [www.HomeDepot.com/homedecorators](http://www.HomeDepot.com/homedecorators).

# Pre-Assembly

## PLANNING ASSEMBLY

Compare all parts with the Hardware Included and Package Contents list. If any part appears missing or damaged, do not assemble this product and contact the Customer Service Team at 1-800-986-3460.

## TOOLS REQUIRED

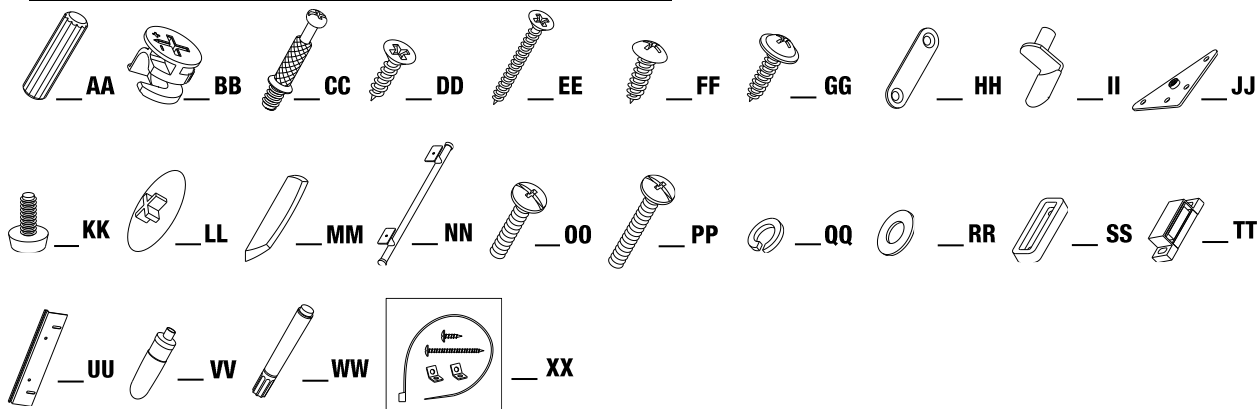


# Pre-Assembly (continued)

## HARDWARE INCLUDED



NOTE: Hardware not shown to actual size.

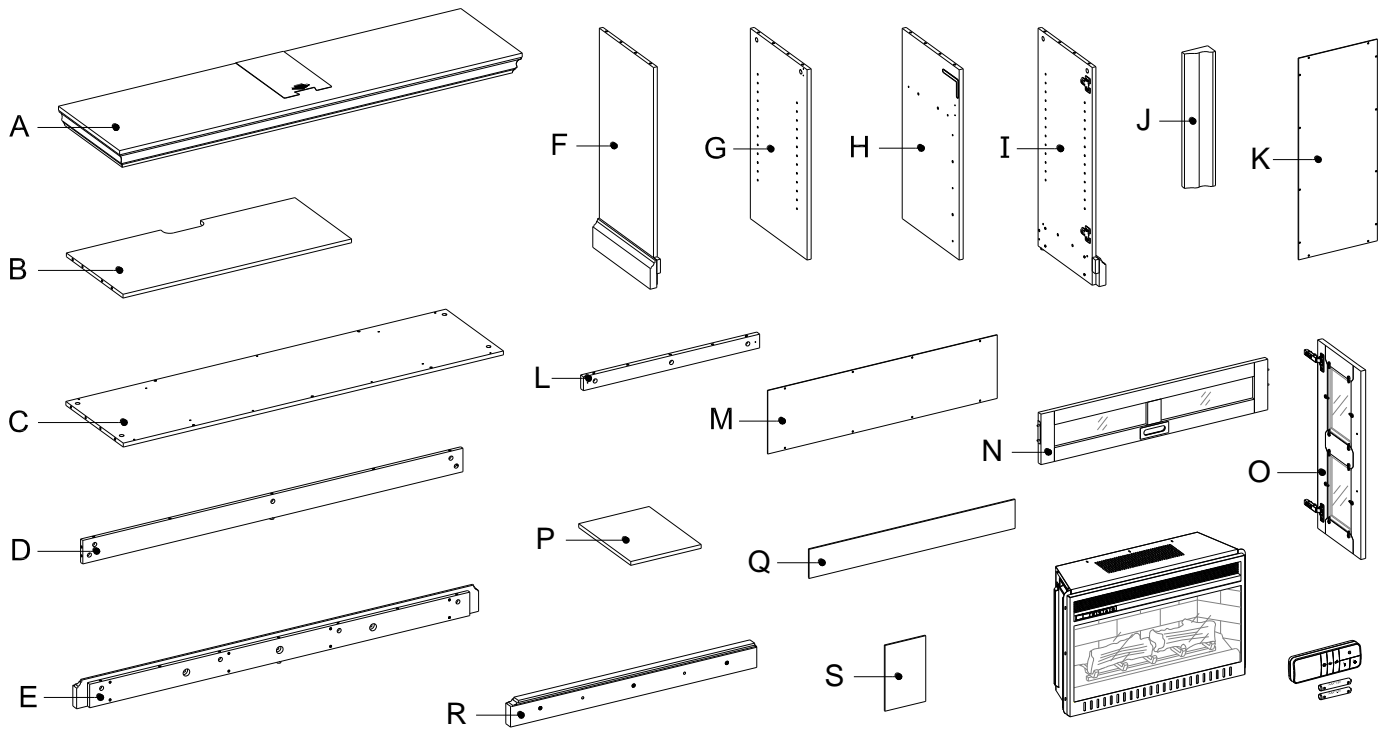


Part	Description	Quantity
AA	Wood dowel	35+1 extra
BB	Cam lock	34+1 extra
CC	Cam bolt	34+1 extra
DD	Short flat head screw	8+1 extra
EE	Long flat head screw	4+1 extra
FF	Short pan head screw	16+1 extra
GG	Washer head screw	32+1 extra
HH	Straight metal plate	2
II	Shelf support	16+1 extra
JJ	Triangle metal plate	2
KK	Floor leveler	2
LL	Cam lock cover	8+1 extra

Part	Description	Quantity
MM	Acrylic stopper	1
NN	Handle	2
OO	Handle bolt	4
PP	Bolt	3+1 extra
QQ	Lock washer	3+1 extra
RR	Flat washer	3+1 extra
SS	Door stopper	2
TT	Magnetic catch	2
UU	Large metal bracket	2
VV	Glue	1
WW	Touch-up pen	1
XX	Tipping restraint hardware kit	2

# Pre-Assembly (continued)

## PACKAGE CONTENTS



Part	Description	Quantity
A	Top panel	1
B	Center shelf	1
C	Bottom panel	1
D	Bottom back stretcher	1
E	Bottom front stretcher	1
F	Left side panel	1
G	Left partition panel	1
H	Right partition panel	1
I	Right side panel	1
J	Middle stile	2
K	Lower back panel	2

Part	Description	Quantity
L	Middle crossbar	1
M	Upper back panel	1
N	Barrister door	1
O	Side Door with glass insert	2
P	Adjustable shelf	4
Q	Barrister door wood insert	1
R	Bottom front stretcher molding	1
S	Side door wood insert	4
	Fireplace insert	1
	Remote control with battery	1

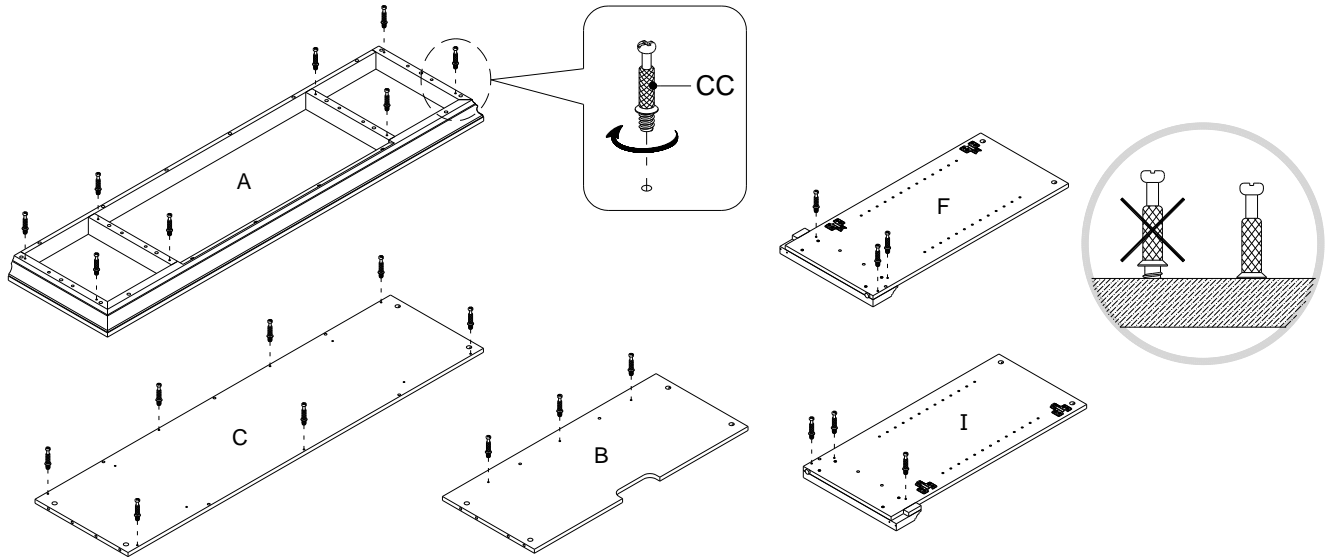
# Assembly

## 1 Screwing the cam bolts



**NOTE:** Do not fully tighten all bolts until you finish assembling all parts. Once assembled, go back and fully tighten all bolts. This will make the assembly easier.

- Unpack the unit and confirm that you have all the hardware and required parts. Assemble the unit on a carpeted floor or the empty carton to avoid any scratches.
- Securely screw the cam bolts (CC) into the designated small holes on the top panel (A), center shelf (B), bottom panel (C) and the side panels (F and I) using a Phillips screwdriver.

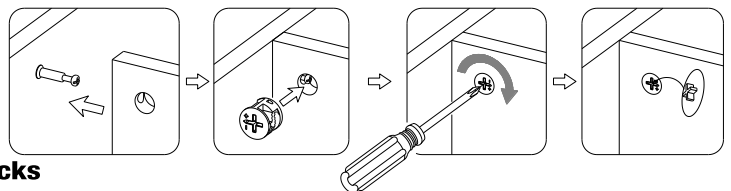
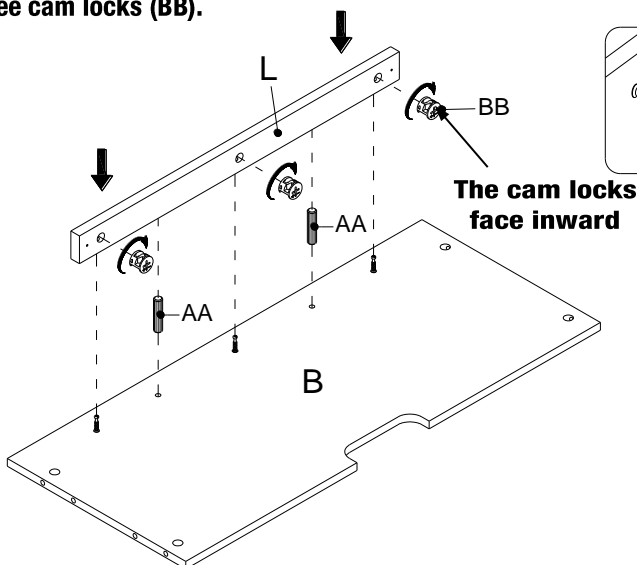


## 2 Attaching the middle crossbar

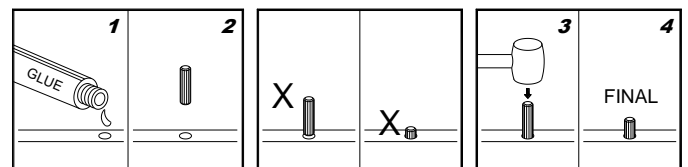


**NOTE:** Refer to the dowel and cam lock assembling guide drawings in this step for further clarification on how to properly glue in the wooden dowels and install cam locks. Apply this method whenever instructed to install wood dowels and cam locks.

- Glue two wood dowels (AA) into the inner holes on the middle crossbar (L) and attach it to the center shelf (B) by engaging three cam locks (BB).



The cam lock assembling guide

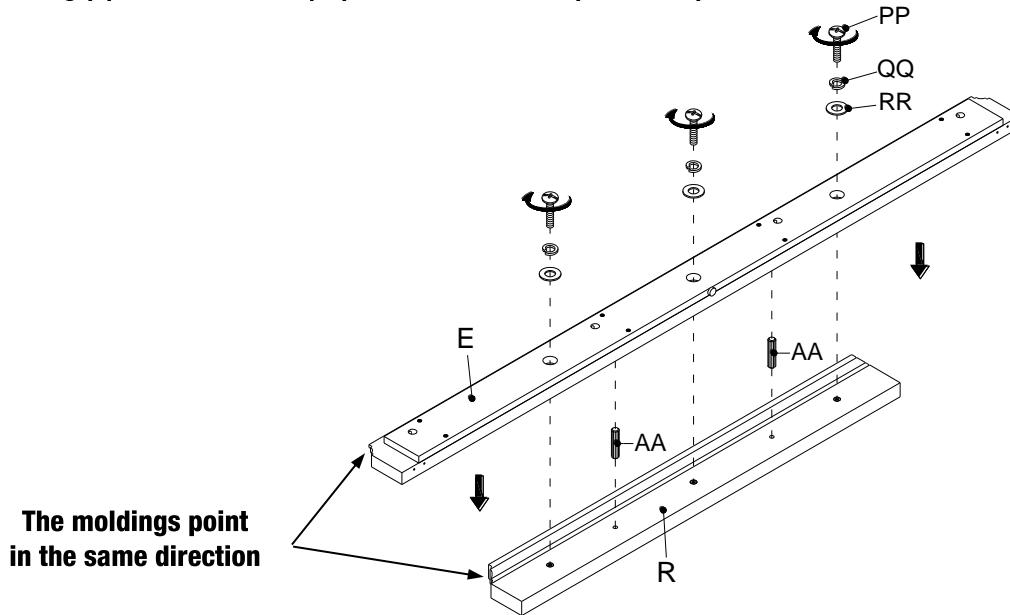


The dowel assembling guide

## Assembly (continued)

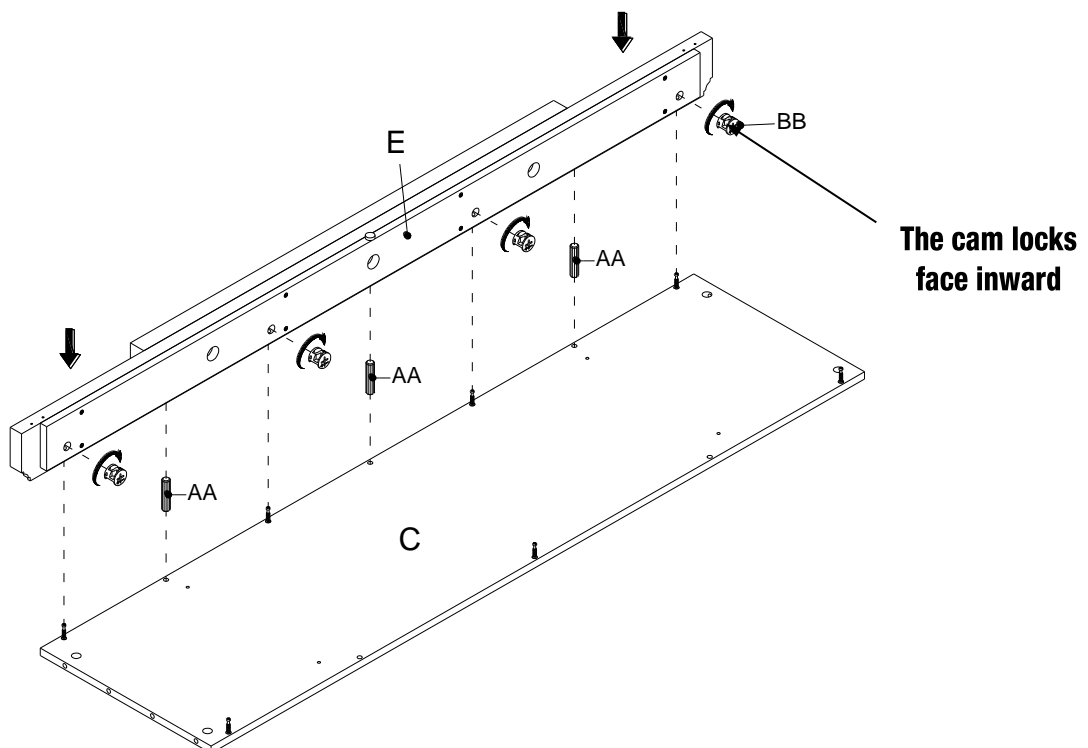
### 3 Combining the bottom front stretcher and molding

- Glue two wood dowels (AA) into the inner holes of bottom front stretcher (E) and attach it to the bottom front stretcher molding (R) with three bolts (PP) and three washers (QQ and RR) as shown.



### 4 Attaching the bottom front stretcher

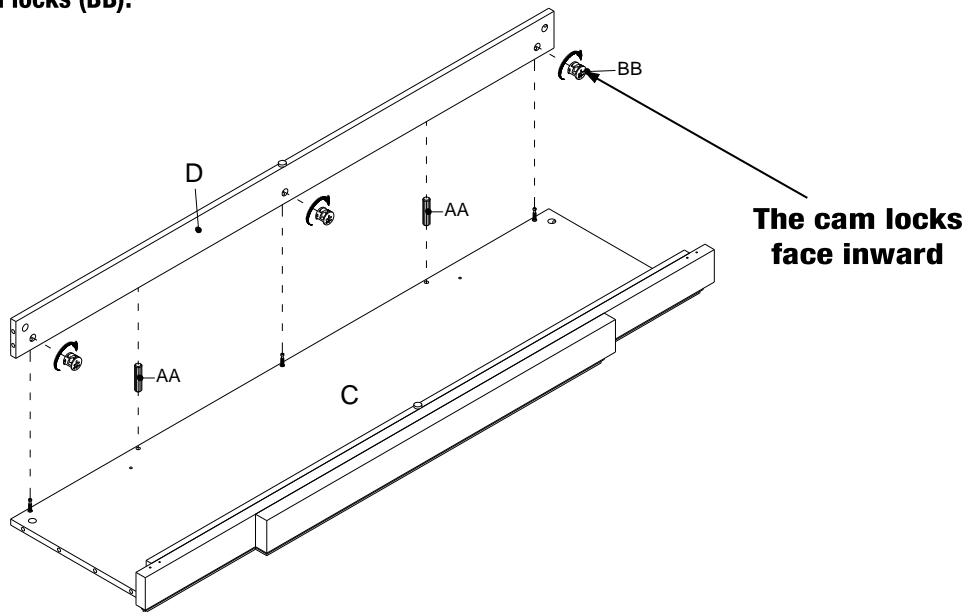
- Glue three wood dowels (AA) into the inner holes on the bottom front stretcher (E) and attach it to the bottom panel (C) by engaging four cam locks (BB).



## Assembly (continued)

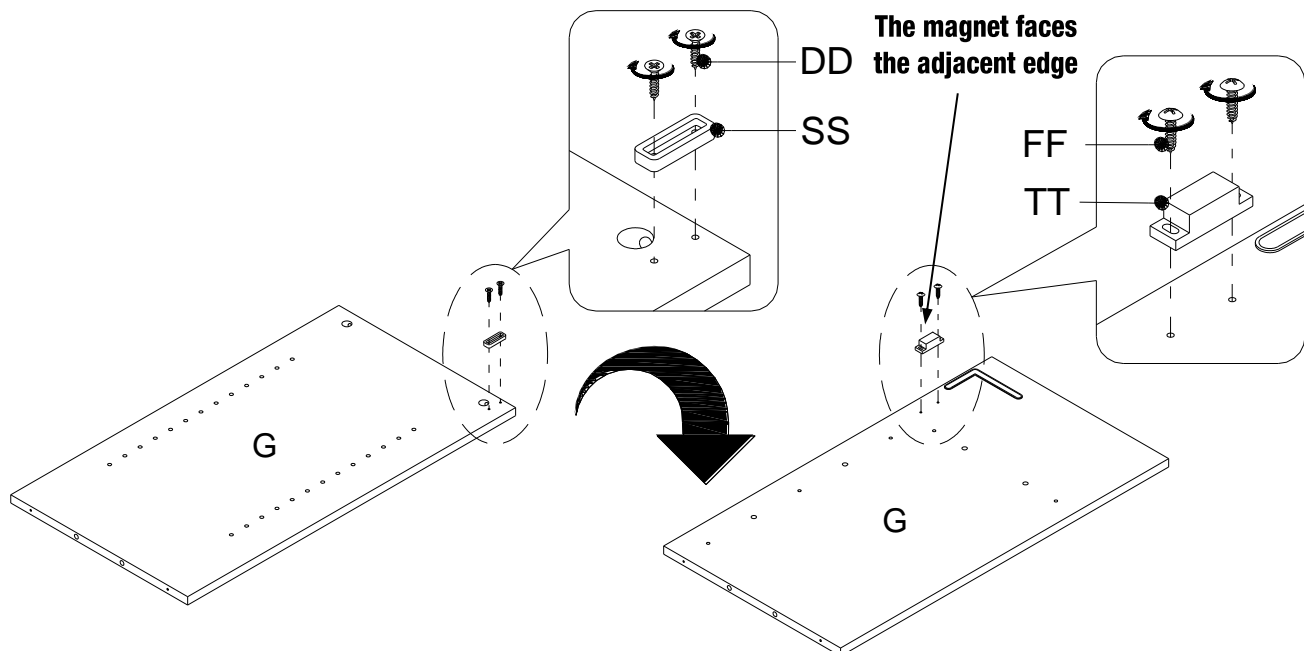
### 5 Attaching the bottom back stretcher

- Glue two wood dowels (AA) into the inner holes on the bottom back stretcher (D) and attach it to the bottom panel (C) by engaging three cam locks (BB).



### 6 Attaching the door stopper and magnetic catch to the left partition panel

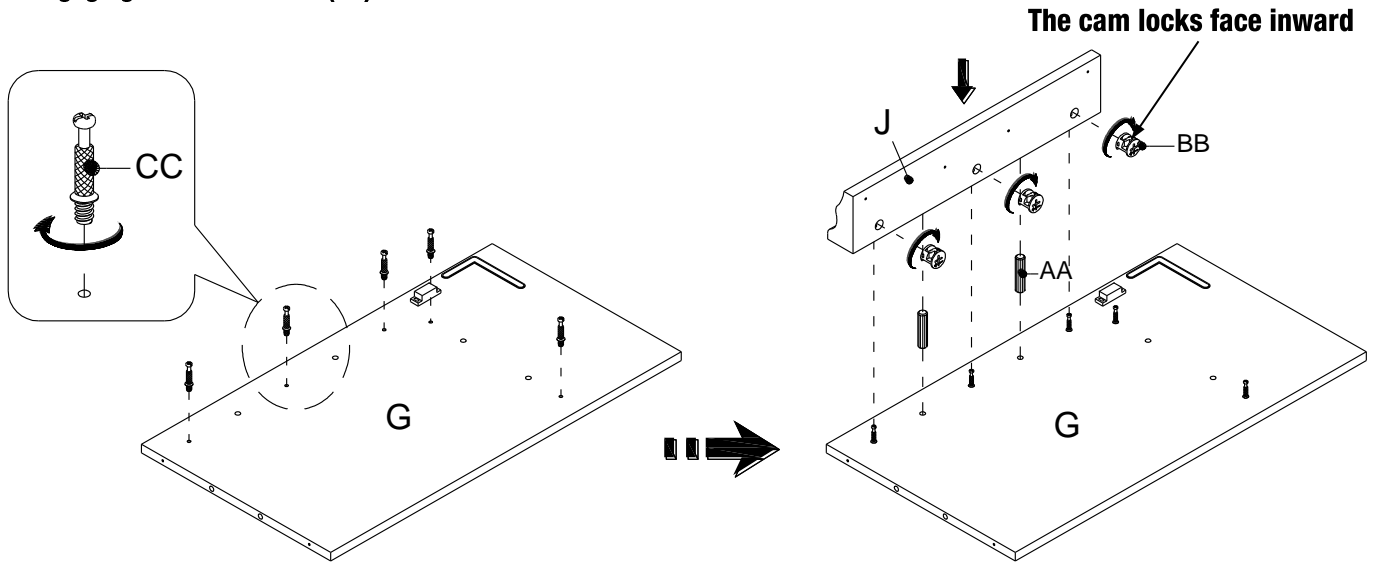
- Using the pilot holes as a guide, fasten one door stopper (SS) to the left partition panel (G) with two short flat head wood screws (DD).
- Using the pilot holes as a guide, fasten one magnetic catch (TT) to the left partition panel (G) with two short pan head wood screws (FF). Make sure that the magnet faces outward.



## Assembly (continued)

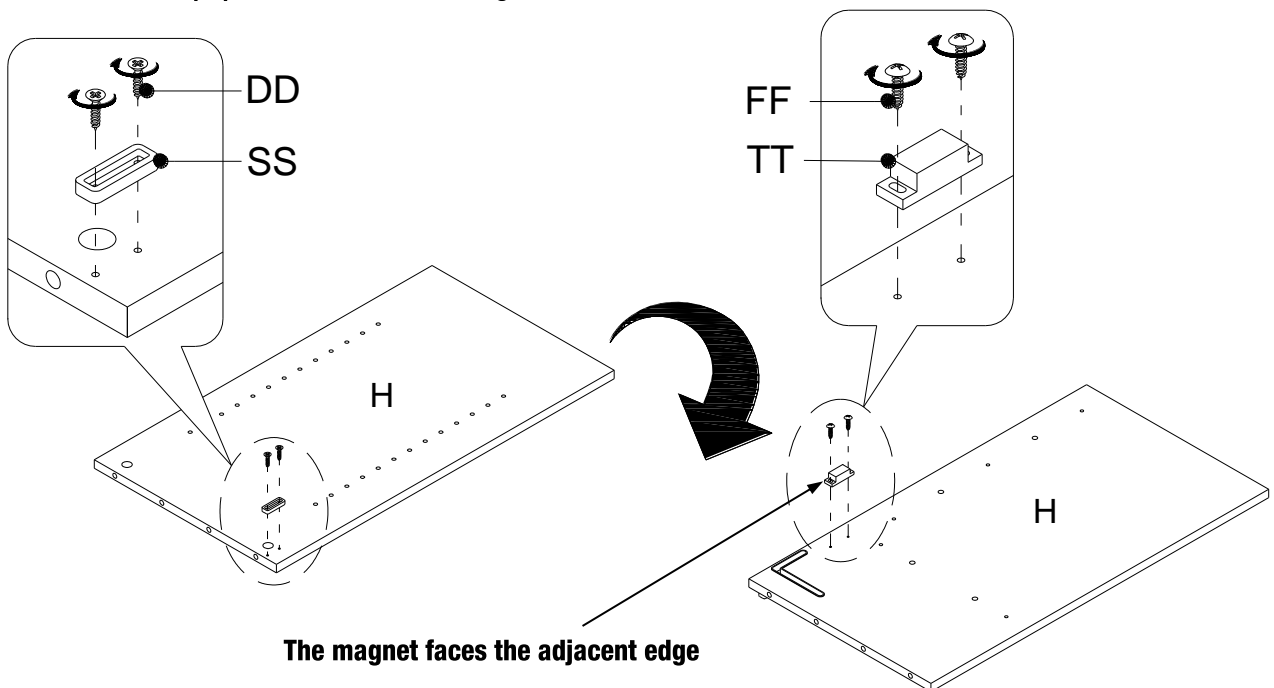
### 7 Attaching the middle stile

- Securely screw the cam bolts (CC) into the designated small holes on the left partition panel (G) using a Phillips screwdriver.
- Glue two wood dowels (AA) into the inner holes on one middle stile (J) and attach it to the left partition panel (G) by engaging three cam locks (BB).



### 8 Attaching door stopper and magnetic catch to the right partition panel

- Using the pilot holes as a guide, fasten the other door stopper (SS) to the right partition panel (H) with two short flat head wood screws (DD).
- Using the pilot holes as a guide, fasten the other magnetic catch (TT) to the right partition panel (H) with two short pan head wood screws (FF). Make sure that the magnet faces outward.

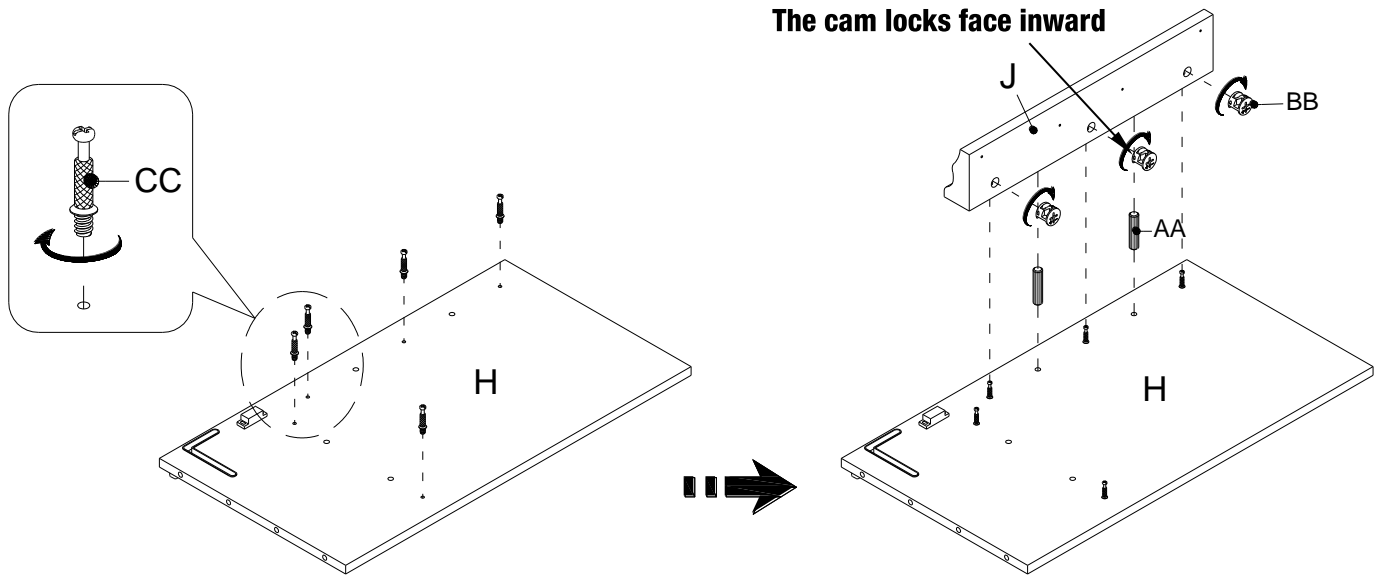




## Assembly (continued)

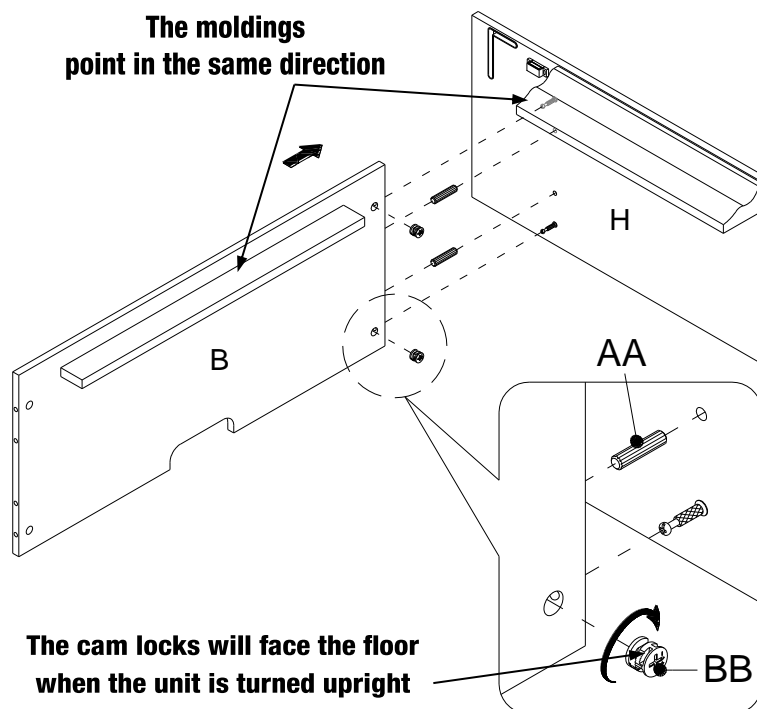
### 9 Attaching the other middle stile

- Securely screw the cam bolts (CC) into the designated small holes on the right partition panel (H) using a Phillips screwdriver.
- Glue two wood dowels (AA) into the inner holes on the other middle stile (J) and attach it to the right partition panel (H) by engaging three cam locks (BB).



### 10 Combining the center shelf and right partition panel

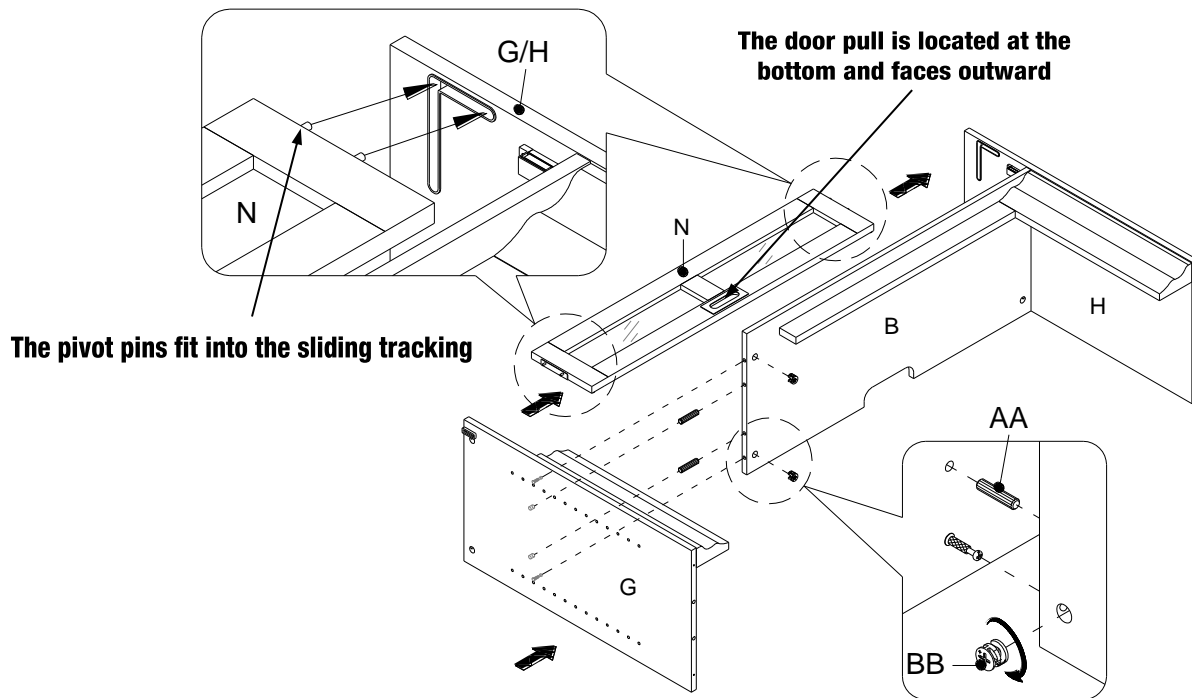
- Glue two wood dowels (AA) into the inner holes of the center shelf (B).
- Align the large holes on right partition panel (H) with the inserted wood dowels (AA) and press them together. Attach the partition panel (H) in place by engaging two cam locks (BB).



## Assembly (continued)

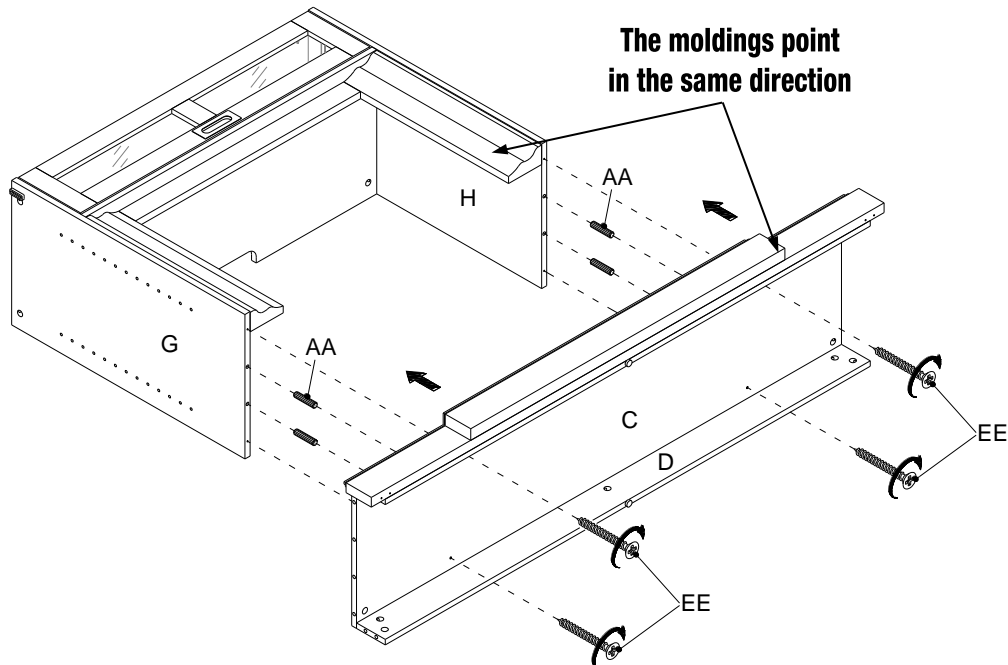
### 11 Installing the barrister door and left partition panel

- Attach and hold the barrister door (N) to the right partition panel (H) by inserting the pivot pins into the sliding track on the right partition panel (H).
- Repeat the same procedure to attach the left partition panel (G) at the opposite end.



### 12 Attaching the bottom panel assembly

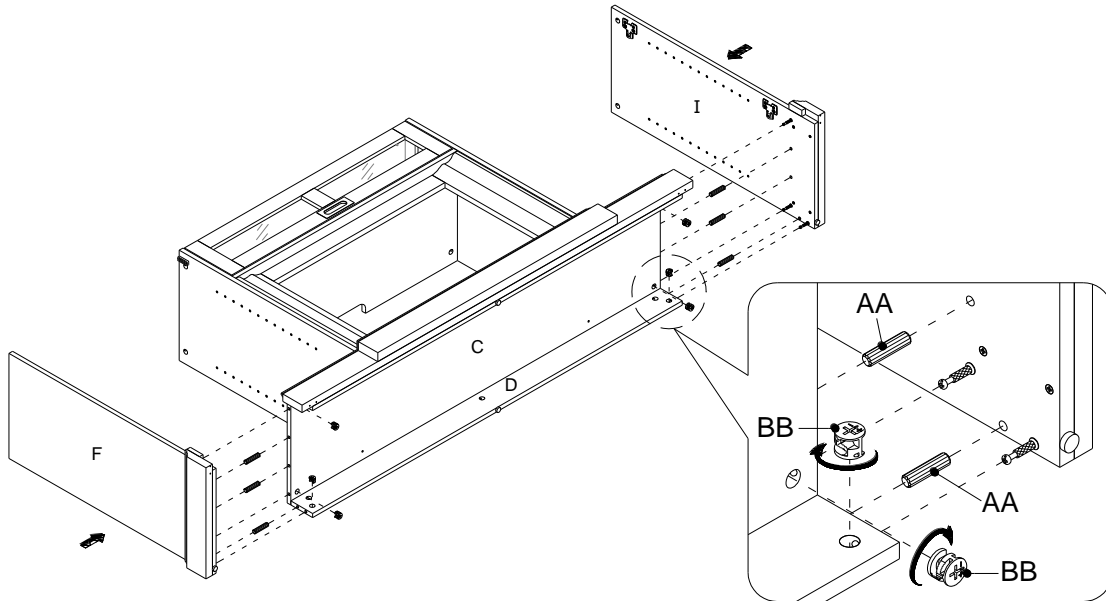
- Align and attach the bottom panel (C) to the bottom of partition panels (G and H) with four wood dowels (AA) and four long flat head screws (EE).



## Assembly (continued)

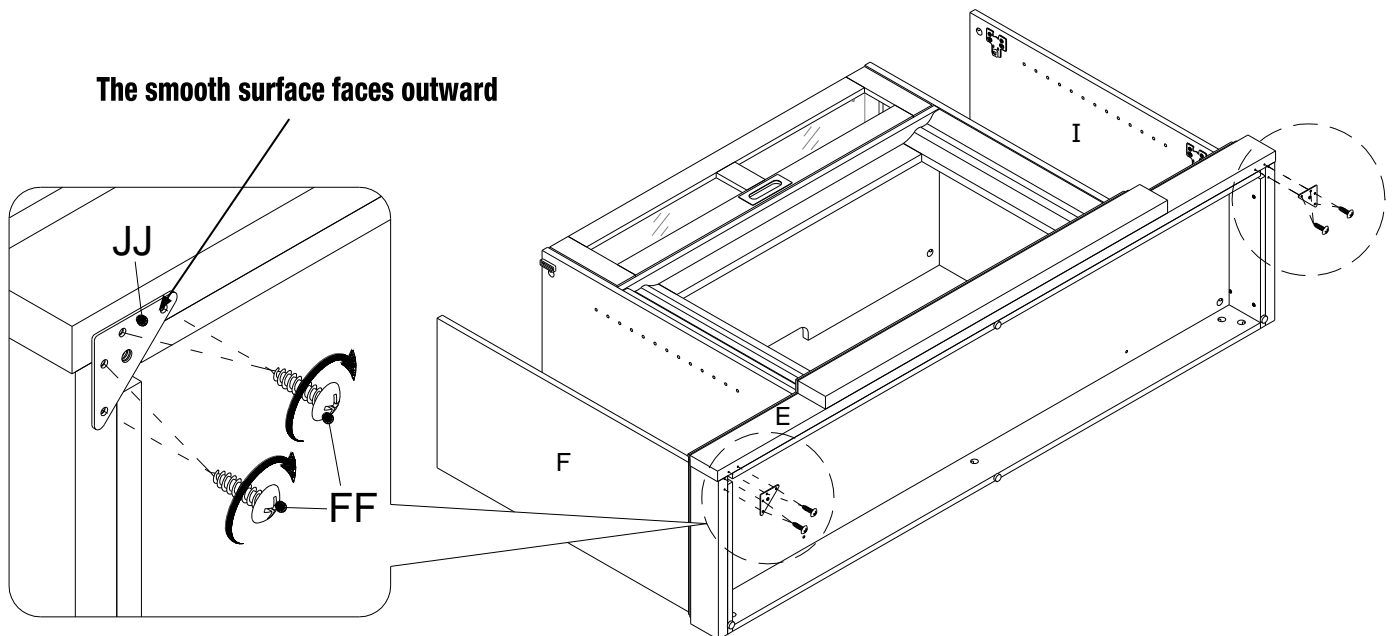
### 13 Installing the side panels

- Glue six wood dowels (AA) into the inner holes of the bottom panel assembly at both ends.
- Align the large holes on both side panels (F and I) with the inserted wood dowels (AA) and press them together. Attach the side panels (F and I) in place by engaging six cam locks (BB).



### 14 Installing the triangle metal plates

- Using the pilot holes as a guide, fasten two triangle metal plates (JJ) at the bottom joints between the bottom front stretcher (E) and side panels (F and I) using four short pan head wood screws (FF) per plate.

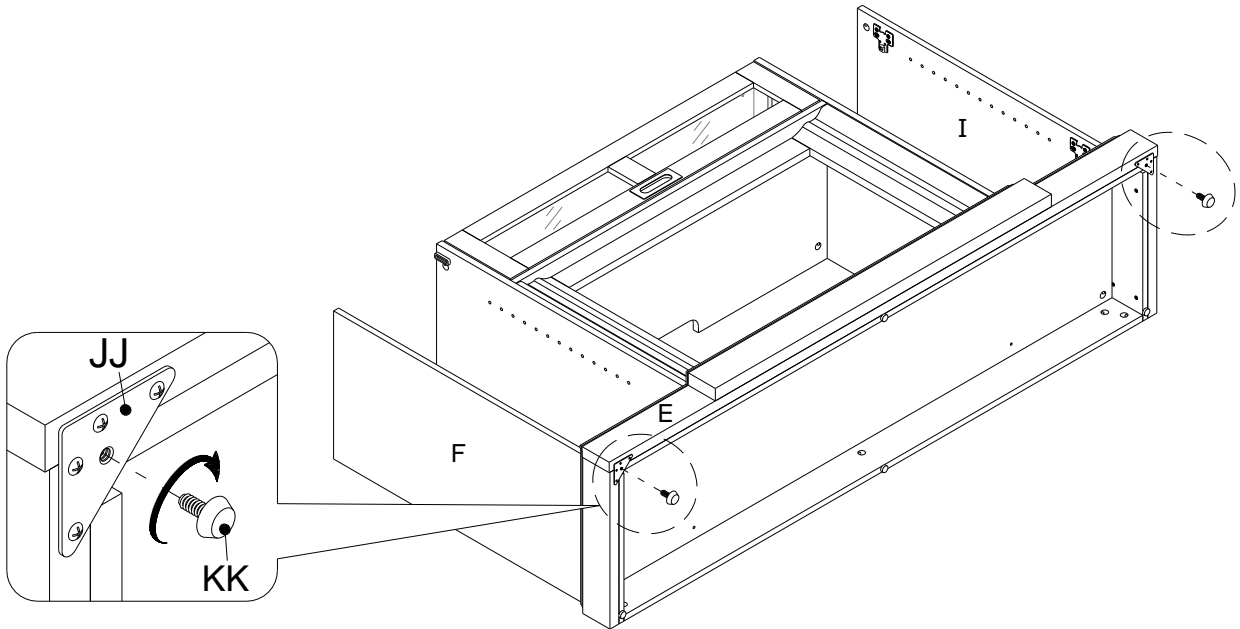


## Assembly (continued)

# 15

### Installing the floor levelers

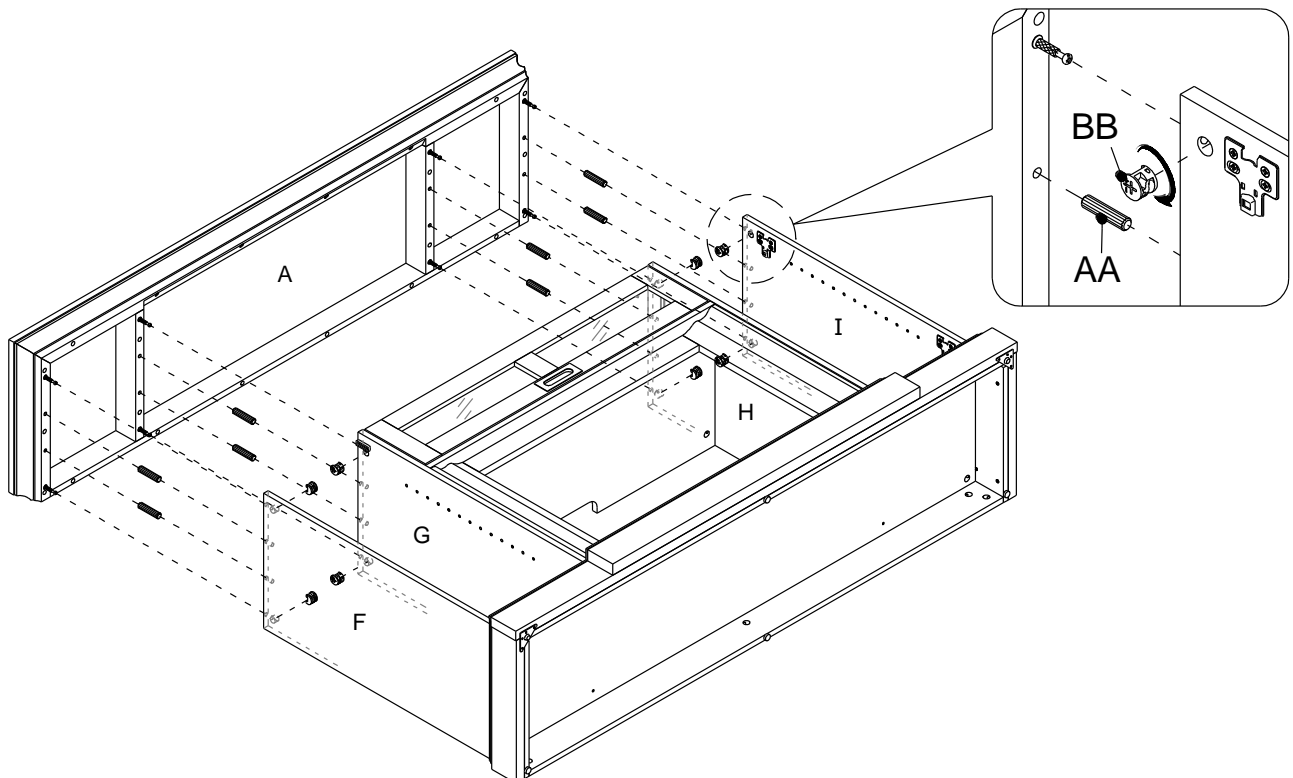
- Screw two floor levelers (KK) into the installed triangle metal plates (JJ).



# 16

### Attaching the top panel

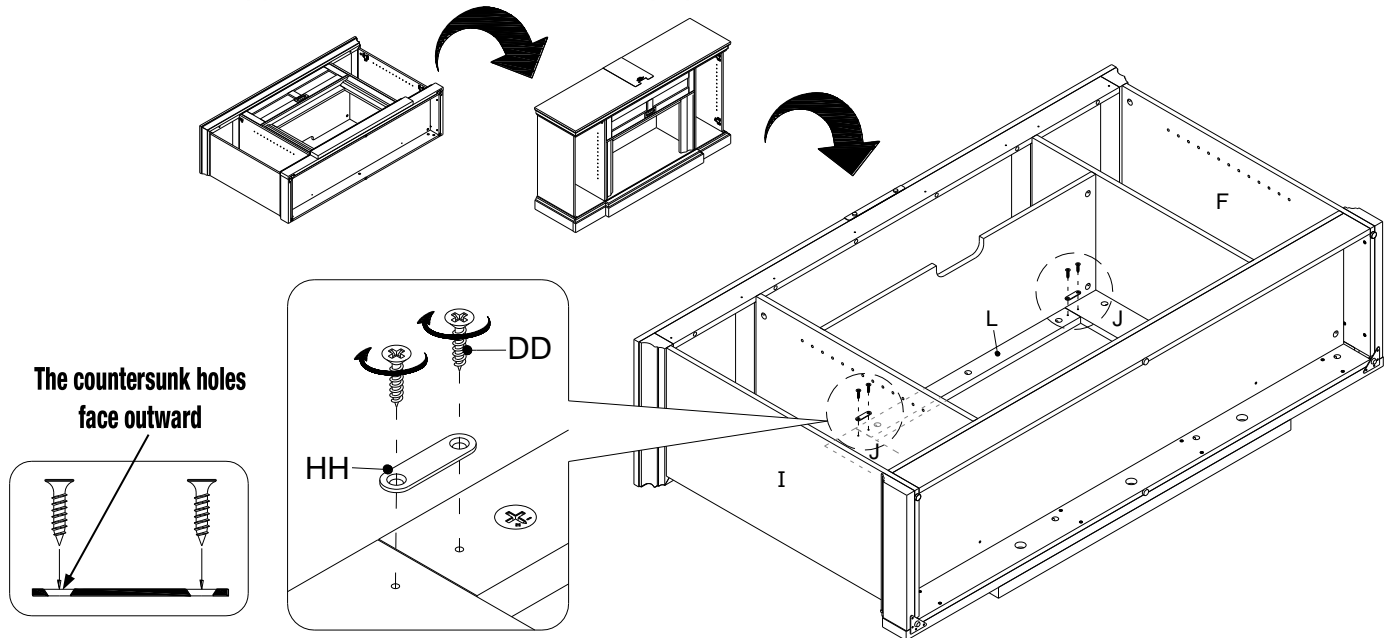
- Glue eight wood dowels (AA) into the top inner holes on both side panel (F and I) and partition panels (G and H). Position the top panel (A) onto the inserted wood dowels (BB) and fasten it in place by engaging eight cam locks (BB).



## Assembly (continued)

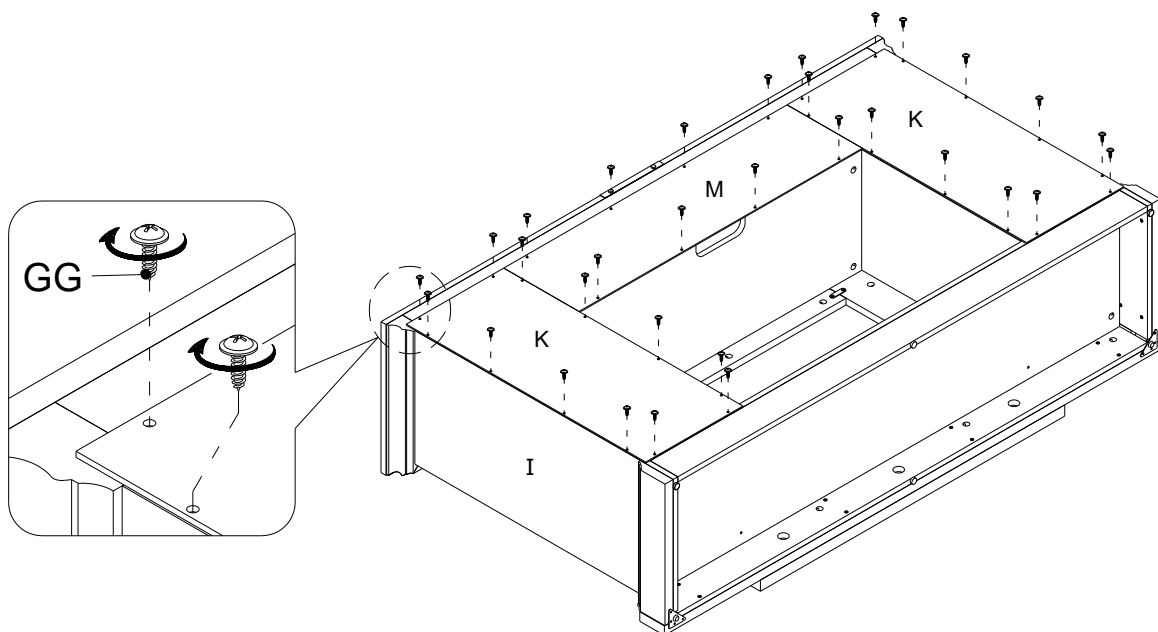
# 17 Fastening the middle crossbar

- Ask for assistance to flip around the previous assembly at its front edges.
- Using the pilot holes as a guide, attach two straight metal plates (HH) at the joints where the middle crossbar (L) meets the middle stiles (J), with two short flat head screws (DD) per plate.



# 18 Attaching back panels

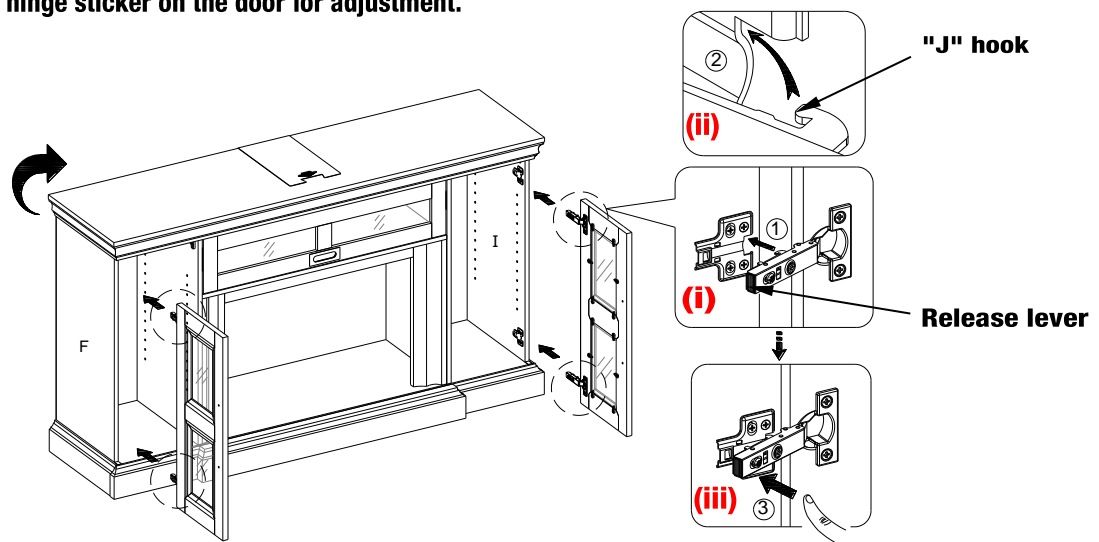
- Pick up the upper back panel (M) and align the drilled holes against the upper long edge with the pilot holes on the back stretcher of the top panel (A). Attach the upper back panel (M) in place using the provided washer head screws (GG).
- Align and attach two lower back panels (K) to the side panels (F and I) and partition panels (G and H) with the provided washer head screws (GG), using the pilot holes as a guide.



## Assembly (continued)

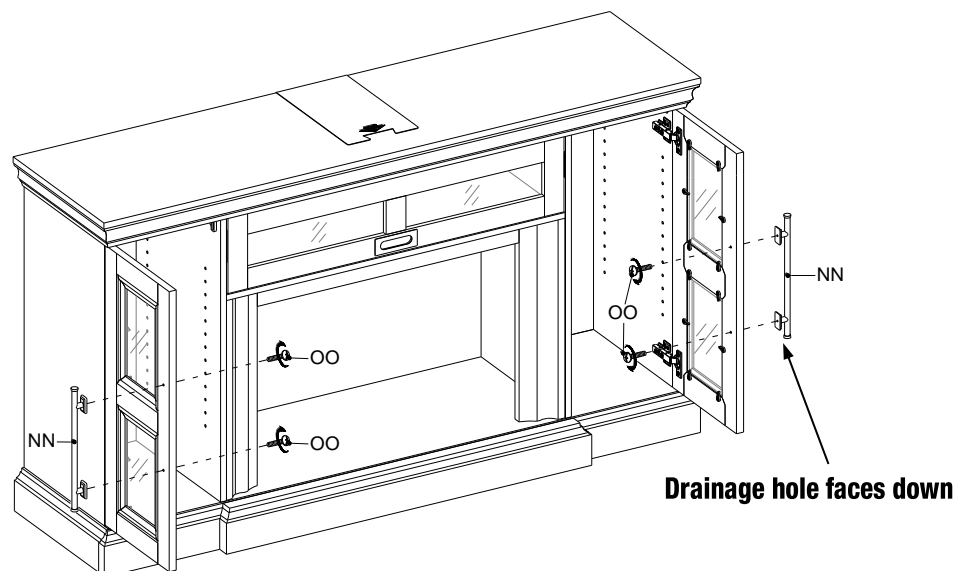
# 19 Attaching the side doors

- Stand the assembled unit upright. Ensure the floor is flat and levelled.
- Pick up one side door (O) and attach it to right side panel (I) by engaging both door hinges simultaneously. Please follow the steps below to combine the door hinges together.
  - (i) Extend both hinge arms on the side door (O) to open position.
  - (ii) Insert the "J" hooks beneath the hinge arms into the lugs on mounting plates pre-attached on right side panel (I).
  - (iii) Press lightly on the end of both hinge arms to engage the catch.
  - (iv) To remove the hinge arms from the mounting plates, press gently in the release lever on the back of hinge arms.
- Repeat the same procedure to attach the other side door (O) at the opposite side.
- Open and close the doors to make sure they are aligned and shut correctly. If necessary, adjust the screws for a good fit. Refer to the hinge sticker on the door for adjustment.



# 20 Installing the handles

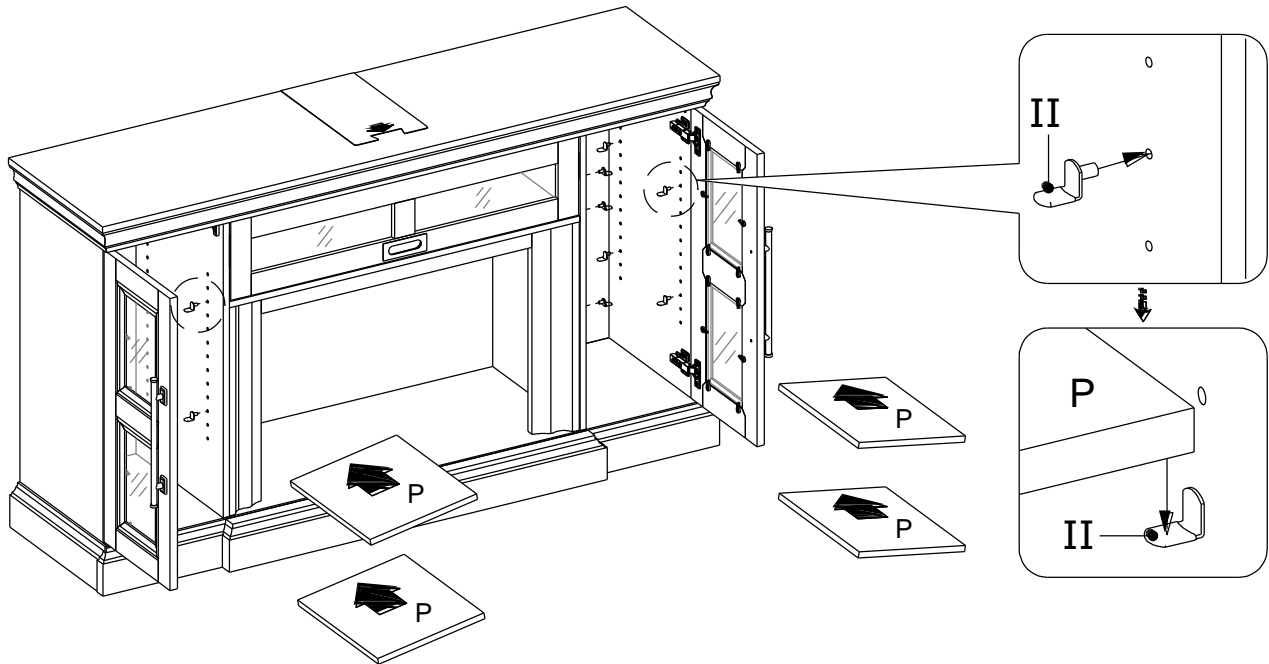
- Attach one handle (NN) to the front side of each door (O) with the handle bolts (OO).



## Assembly (continued)

### 21 Installing the adjustable shelves

- Open the doors (O) and insert eight shelf supports (II) into the desired holes inside each side compartment. Make sure you place the four shelf supports in the same level so the shelf is not tilted. Rest the adjustable shelves (P) onto the shelf supports (II).

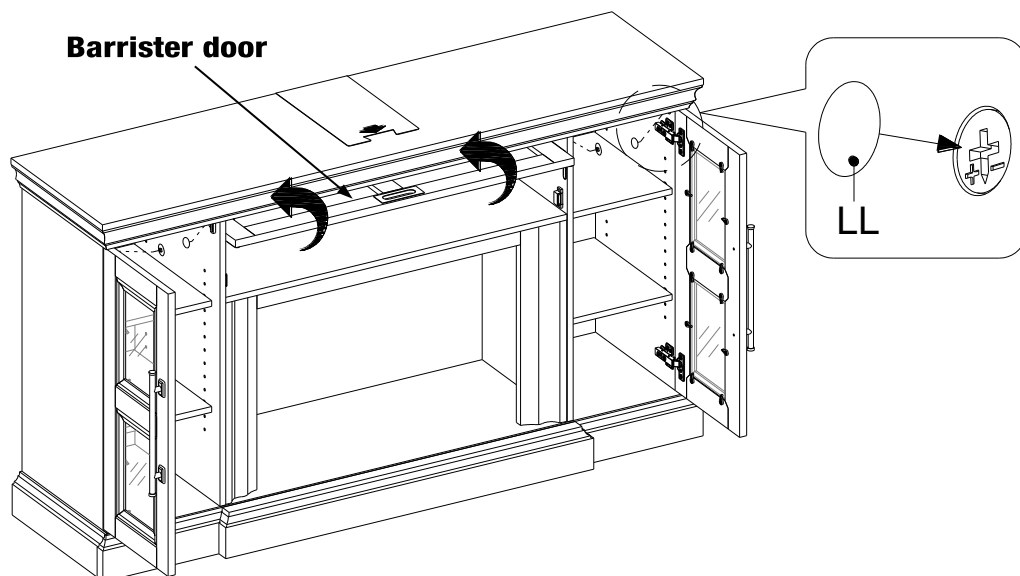


### 22 Attaching the cam lock covers

- Plug the cam lock covers (LL) onto the visible cam locks to conceal the cams.
- You can slide the barrister door (N) into the unit for convenient storage.



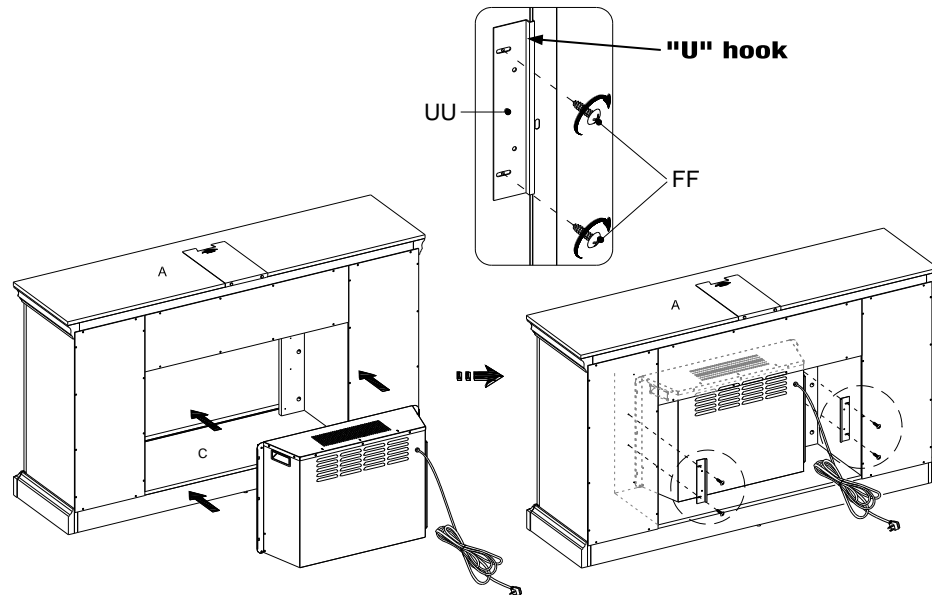
**NOTE:** Magnet catches can be adjusted to ensure that the barrister door functions properly. This can be done by loosening the screws and moving the magnet forward and back. Once the door functions properly go back and tighten all the screws.



## Assembly (continued)

# 23 Installing the fireplace insert

- Lift the fireplace insert carefully into the back of the assembled mantel and center it in the opening. **DO NOT** drag the insert across the bottom panel (C) as it may scratch the unit.
- Using the pilot holes as a guide, fit one large metal bracket (UU) onto the middle of fireplace insert side plate and fasten it to the middle stile (J) with two short pan head wood screws (FF).
- Repeat the same procedure to attach the other large metal bracket (UU) at the opposite side.



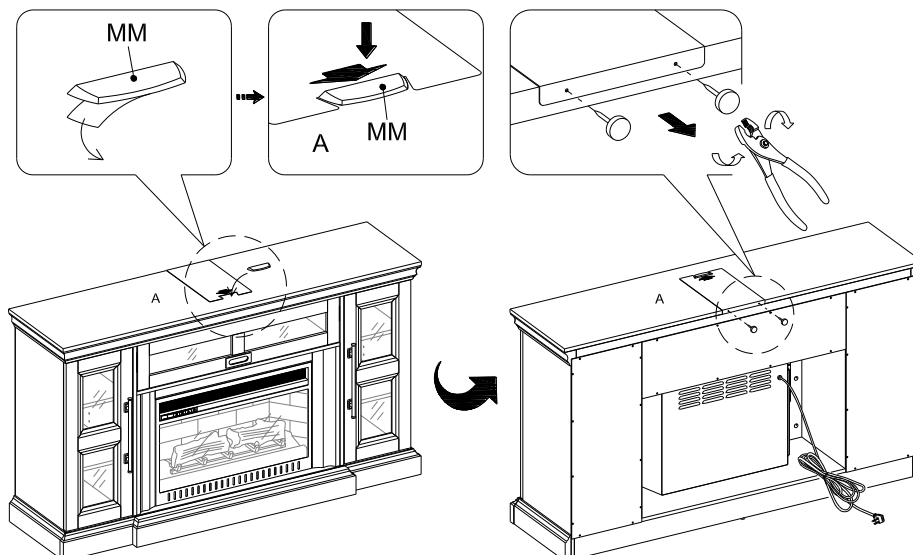
# 24 Installing the acrylic stopper

- Remove the paper backing of acrylic stopper (MM), then properly align the acrylic stopper into the cut-out on the acrylic stopper template on the front of the top panel (A). Press down on the acrylic stopper to help adhesion.



**NOTE:** To prevent your TV from tipping, you must install the acrylic TV stopper if you place a flat panel television on the top panel. Otherwise, skip to next step.

- At the back of top panel (A), grip the heads of plastic tacks with pliers, with twisting motion pull tacks loose to remove the acrylic stopper template.





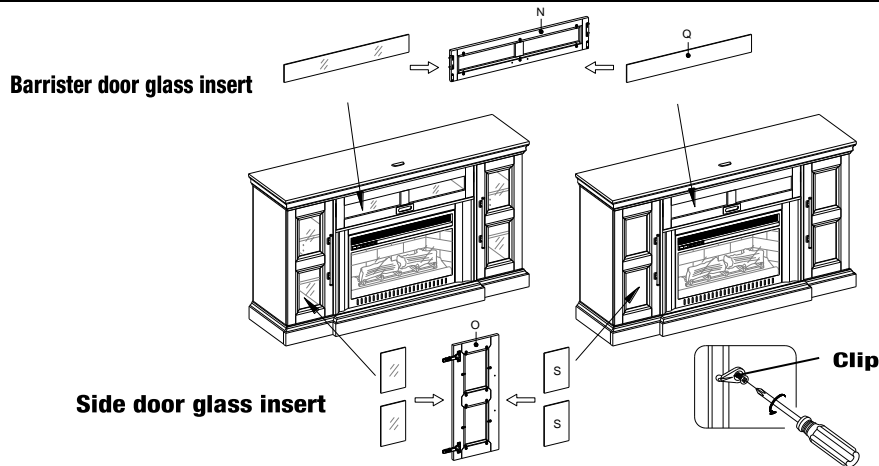
## Assembly (continued)

# 25 Interchanging wood door panels

- To change door panels, loosen the screws on the inside of the door and rotate the clips to remove the panel. Replace with the desired panel, then rotate clips to secure the panel within the door frame and tighten screws.



**NOTE:** The glass door panels are pre-attached when shipping. You can keep as is or interchange as the desired configuration.

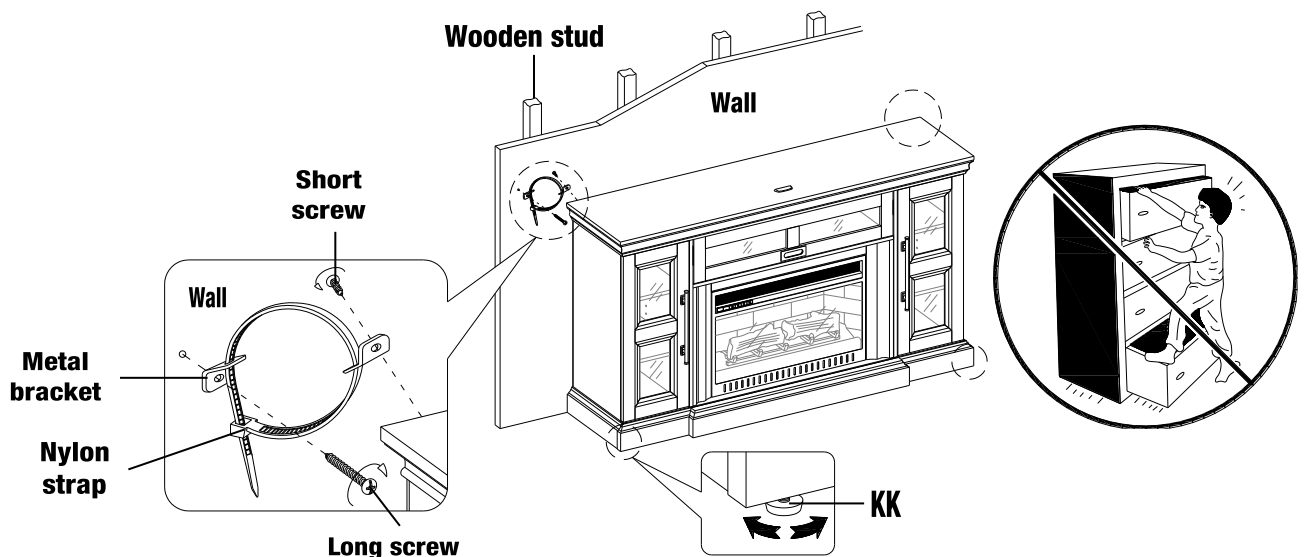


# 26 Installing the tipping restraint hardware



**WARNING:** Young children can be seriously injured by tipping furniture. You must install the tipping restraint hardware with the unit to prevent the unit from tipping, causing any accidents or damage. The tipping restraints are intended only as a deterrent, they are not a substitute for proper adult supervision. The tipping restraints are not earthquake restraints. If you wish to add the extra security of earthquake restraints, they must be purchased and installed separately.

- With assistance, position the assembled fireplace at the desired location against a wall. If necessary, adjust the installed floor levelers (KK) by hand to correct tilting and level the doors, until the unit is level.
- Follow the instructions printed on the plastic bag containing the tipping restraint hardware to attach the tip-over restraints to the unit and the wall.
- Connect the fireplace to the power transformer. Follow the operating manual for the electric fireplace insert to control your fireplace.



# Care and Maintenance

A touch-up pen has been provided to minimize the small nicks or scratches that may occur during assembly or shipping.

To clean and care for your furniture:

- Use a soft, clean cloth that will not scratch the surface when dusting.
- Use of furniture polishes is not necessary. Should you choose to use polishes, test first in an inconspicuous area.
- Using solvents of any kind on your furniture may damage the finish.
- Never use water to clean your furniture as it may cause damage to the finish.
- Always use coasters under beverage glasses and flowerpots.
- Liquid spills should be removed immediately. Using a soft clean cloth, blot the spill gently. Avoid rubbing.
- Always use protective pads under hot dishes and plates. Heat can cause chemical changes that may create spotting within the furniture finish.
- In the event that your furniture is stained or otherwise damaged during use, we recommend that you call a professional to repair your furniture.
- Check bolts/screws periodically and tighten them if necessary.

## CARING FOR WOOD FURNITURE

It is best to keep your furniture in a climate-controlled environment. Extreme temperature and humidity changes can cause fading, warping, shrinking and splitting of wood. It is advised to keep furniture away from direct sunlight as sun may damage the finish.

Proper care and cleaning at home will extend the life of your purchase. Following these important and helpful tips will enhance your furniture as it ages.

## CLEANING THE FIREPLACE TRIM

Clean the metal trim using a soft cloth, slightly dampened with citrus oil based product and buff with a clean soft cloth. **DO NOT** use brass polish or household cleaners as these products will damage the metal trim. Citrus oil based products can be obtained at supermarkets or hardware stores.

# HOME DECORATORS COLLECTION

**Questions, problems, missing parts? Before returning to the store,  
call Home Decorators Collection Customer Service  
8 a.m. - 7 p.m., EST, Monday-Friday  
9 a.m. - 6 p.m., EST, Saturday**

**1-800-986-3460**

**[HOMEDEPOT.COM/HOMEDECORATORS](http://HOMEDEPOT.COM/HOMEDECORATORS)**

**Retain this manual for future use.**