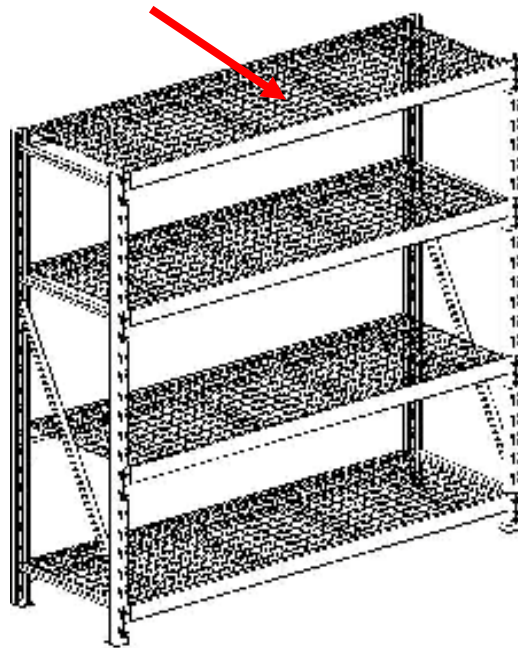


# INDUSTRIAL RACK WITH INTERLOCKING WIRE DECKS

## WS-NIR772472WWD-BW

### ITM./ART. 333051

**IMPORTANT. RETAIN FOR FUTURE REFERENCE: READ CAREFULLY**  
**SHELF MAXIMUM WEIGHT CAPACITY:2000 LB / 908 KG.**  
**ENTIRE UNIT MAXIMUM WEIGHT CAPACITY:8000 LB / 3629 KG.**  
**CONCENTRATED LOAD CAPACITY:76 KG / 167 LB (PSF) PER SQUARE FOOT.**



**ADULT ASSEMBLY REQUIRED DUE TO THE PRESENCE OF**  
**SMALL PARTS, SHARP POINTS, SHARP EDGES**



*Organize your life.*



Video Instruction Guides

Go to <http://whalen.showuhow.com> to view step-by-step instructional videos for assembling and installing your product. Enter the following product number on the ShowUhow homepage.

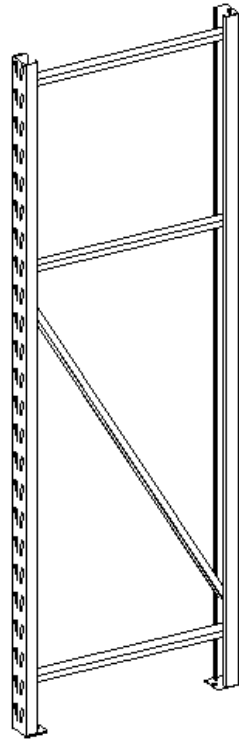
**333051**

**Please call for replacement parts or assistance: 1-866-942-5362**  
**Pacific Standard Time: 8:30 am – 4:30 pm Monday to Friday**  
**Or visit our web site: [www.whalenstorage.com](http://www.whalenstorage.com)**

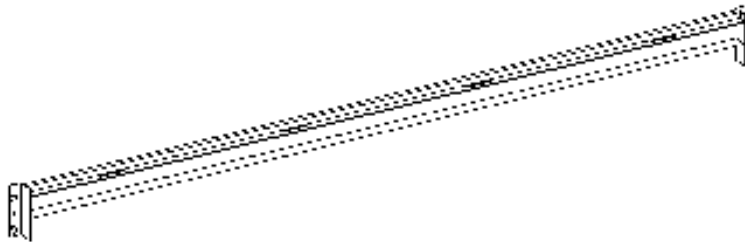
**Whalen Storage**  
**Factory # 14400**  
**Page # 1**

## ***Parts List***

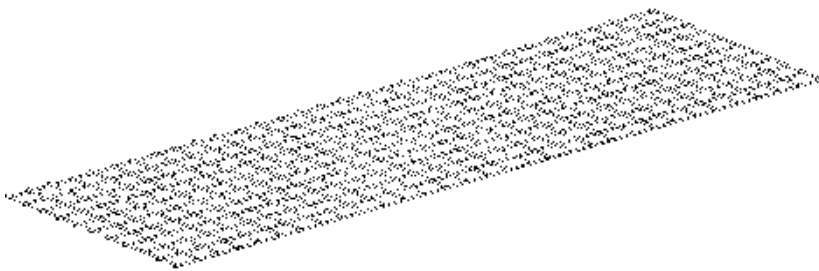
***Please read completely through the instructions and verify that all parts listed are present before beginning assembly.***



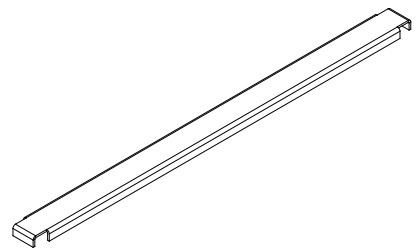
A- Upright Frame (2- ea.)



B- Cross Beam (8- ea.)



C- Wire Deck (4- ea.)



D- Channel (16- ea.)

**Tool Required: Rubber Mallet (not provided).**

**Please call for replacement parts or assistance: 1-866-942-5362**

**Whalen Storage  
Factory No. 14400  
Page # 2**

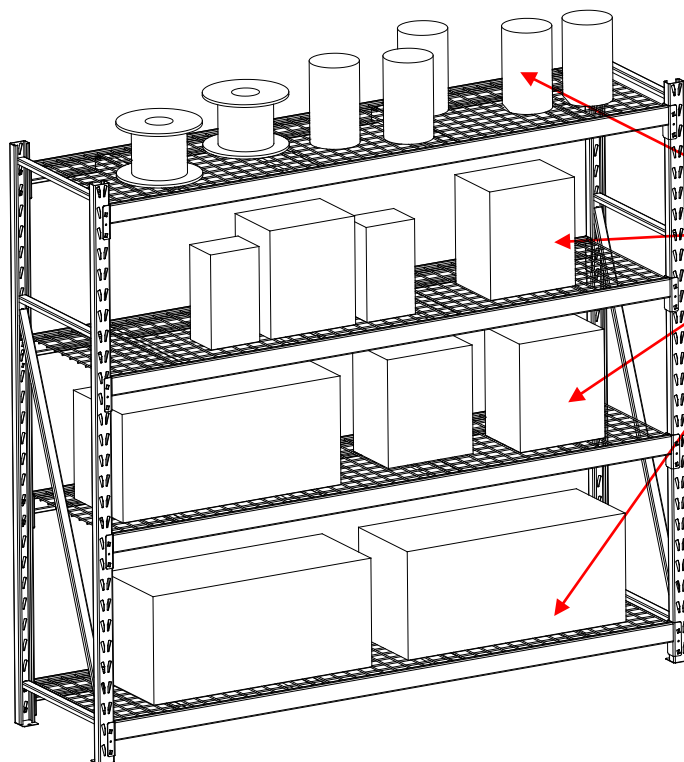


## **WARNING**

**Failure to follow these guidelines can result in property damage or personal injuries.**

**Industrial Rack is not recommended for outdoor use.**

- 1. Do not exceed 2000 lb / 908 kg per shelf. Do not exceed 8000 lb / 3629 kg per unit.**
- 2. Weight should be evenly distributed on the shelf surface. Weight that is concentrated in the center of the shelf will reduce the shelf capacity.**
- 3. Load small stable items on the top shelves, heavier and bulkier items should be stored on the lower shelves. Load unit placing objects from the bottom to top. This will ensure stability of overall unit.**
- 4. Never climb or stand on the unit and do not use as a ladder.**
- 5. Not intended to be used by children.**
- 6. Do not alter the product in any way as it could compromise the performance of the unit as intended and will void all warranties.**



**Note: Larger heavier items stored on the bottom levels and smaller lighter items stored on the upper levels.**

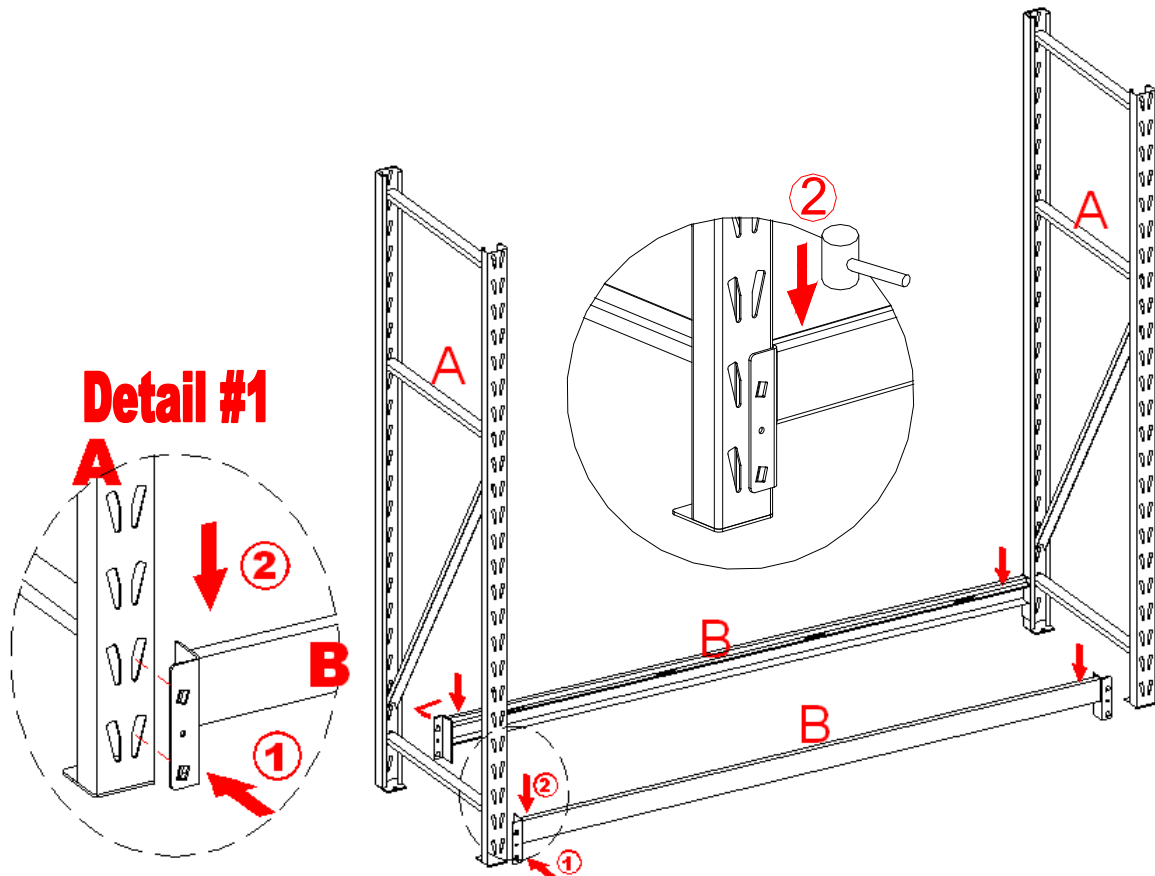
**Please call for replacement parts or assistance: 1-866-942-5362**

**Whalen Storage  
Factory No. 14400  
Page # 3**

## Assembly Instructions

**Note: Make sure all the clips lock in place securely before using the unit. If you have any defective parts please do not use, improper installation may result in damage or injury.**

1. Unpack the unit and lay parts out on floor.
2. Connect Cross Beam (part B) to the Column of Upright Frame (part A) by inserting the two clips on the bracket of Cross Beam into the bottom two keyholes of the column. Tap down beam with rubber mallet to seat the beam into the column. See detail #1.



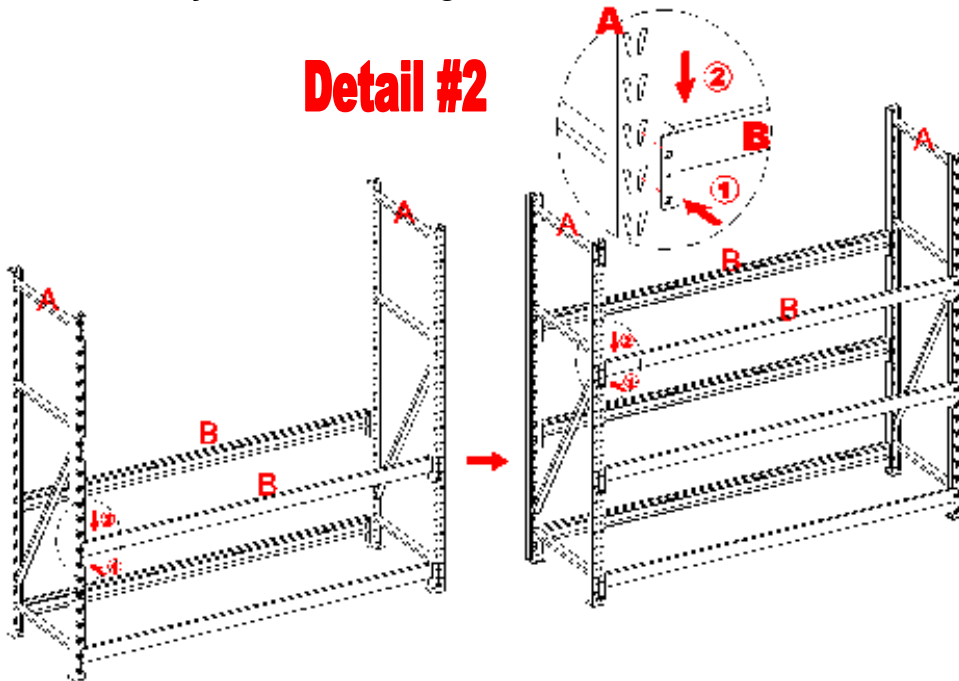
3. Attach beam to second Upright Frame (part A) as shown in detail #1. Make sure the clips are at the same location on the frames and beam is level. Two people may be required to install these beams.
4. Repeat previous steps to attach the other Cross Beam (part B) to the opposite two Columns. Make sure the two Cross Beams are at the same level.

**Please call for replacement parts or assistance: 1-866-942-5362**

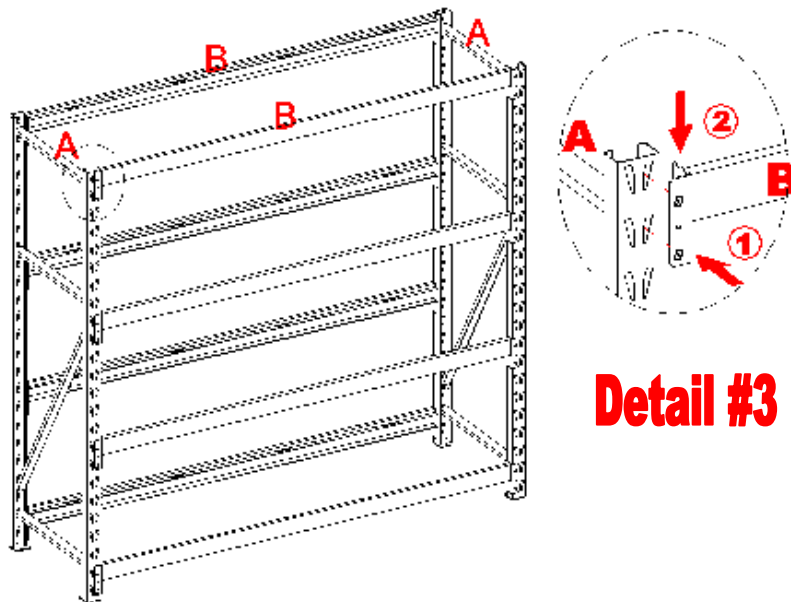
Whalen Storage  
Factory No. 14400  
Page # 4

## Assembly Instructions

- Repeat steps 2 through 4 to attach next beams levels as shown in detail #2. Note: The shelf levels are adjustable in 3" increments. You can adjust the wire deck shelves at your desired height.



- To complete the frame assembly repeat steps 2 through 4 to attach the last two Cross Beams (part B) on the top two keyholes of Columns as shown in detail #3.



Please call for replacement parts or assistance: 1-866-942-5362

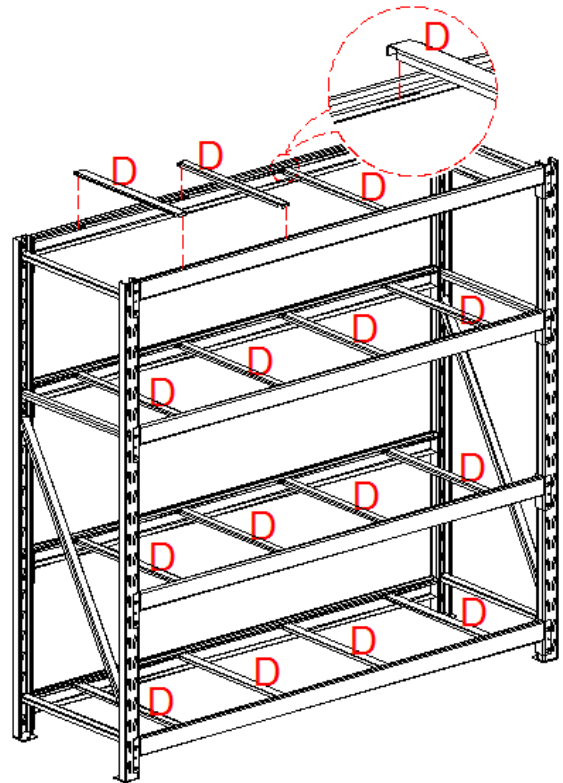
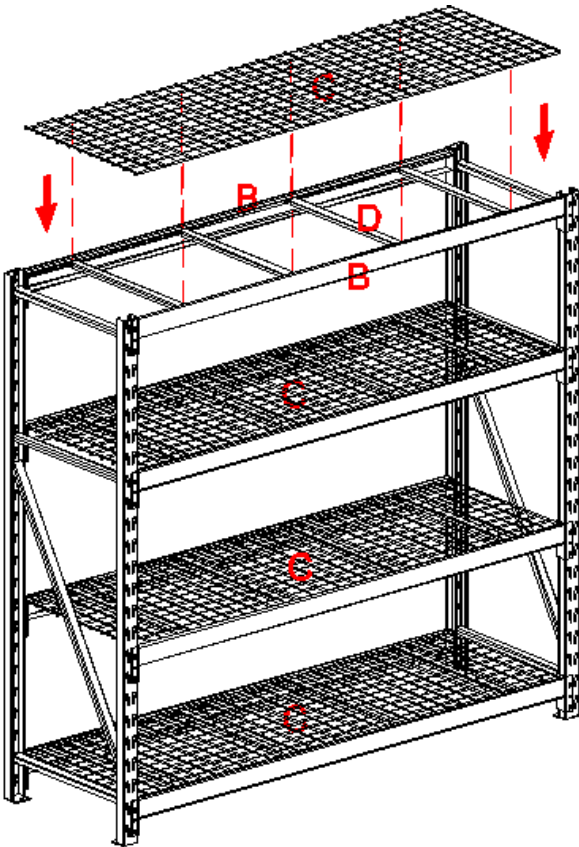
Whalen Storage  
Factory No. 14400  
Page # 5

## Assembly Instructions

7. Insert deck support channel (part D) into slots in load beams as shown in detail #4.

Repeat step 7 to install the remaining channels to the rack. Make sure all of the channels are seated completely.

### Detail #4



8. Insert wire decks onto shelves assembly as shown in detail #5.

### Detail #5

9. Periodically inspect the unit to ensure beams are seated properly and clips are firmly connected to the columns.

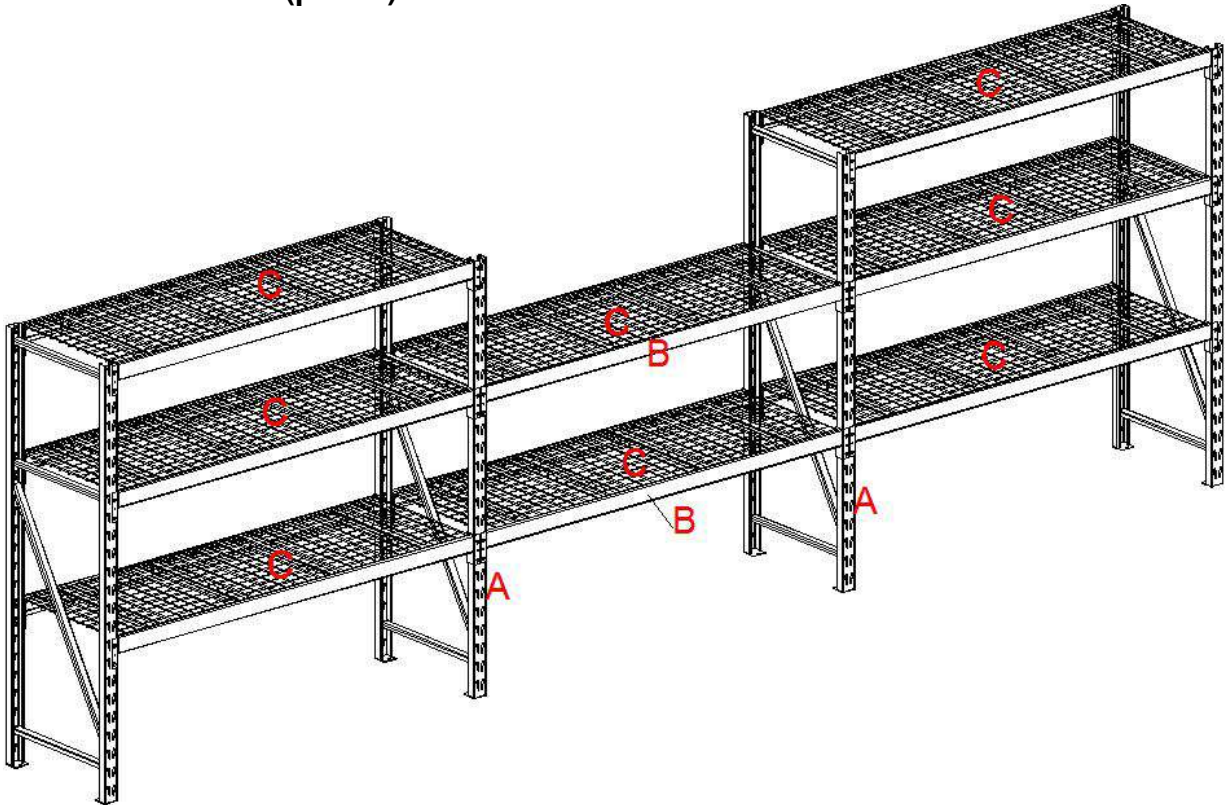
Please call for replacement parts or assistance: 1-866-942-5362

Whalen Storage  
Factory No. 14400  
Page # 6

## Assembly Instructions

If you buy more than one unit, additional assembly options are available.

10. Position two Racks in line with the desired space between them. Leave enough space to fit the Cross Beams (part B). Insert additional beam levels as desired to form additional space.
11. Insert Wire Decks (part C) as desired.



**KEEP THESE INSTRUCTIONS FOR FUTURE REFERENCE.**

Your assembly should now be complete.  
Thank you for your purchase.



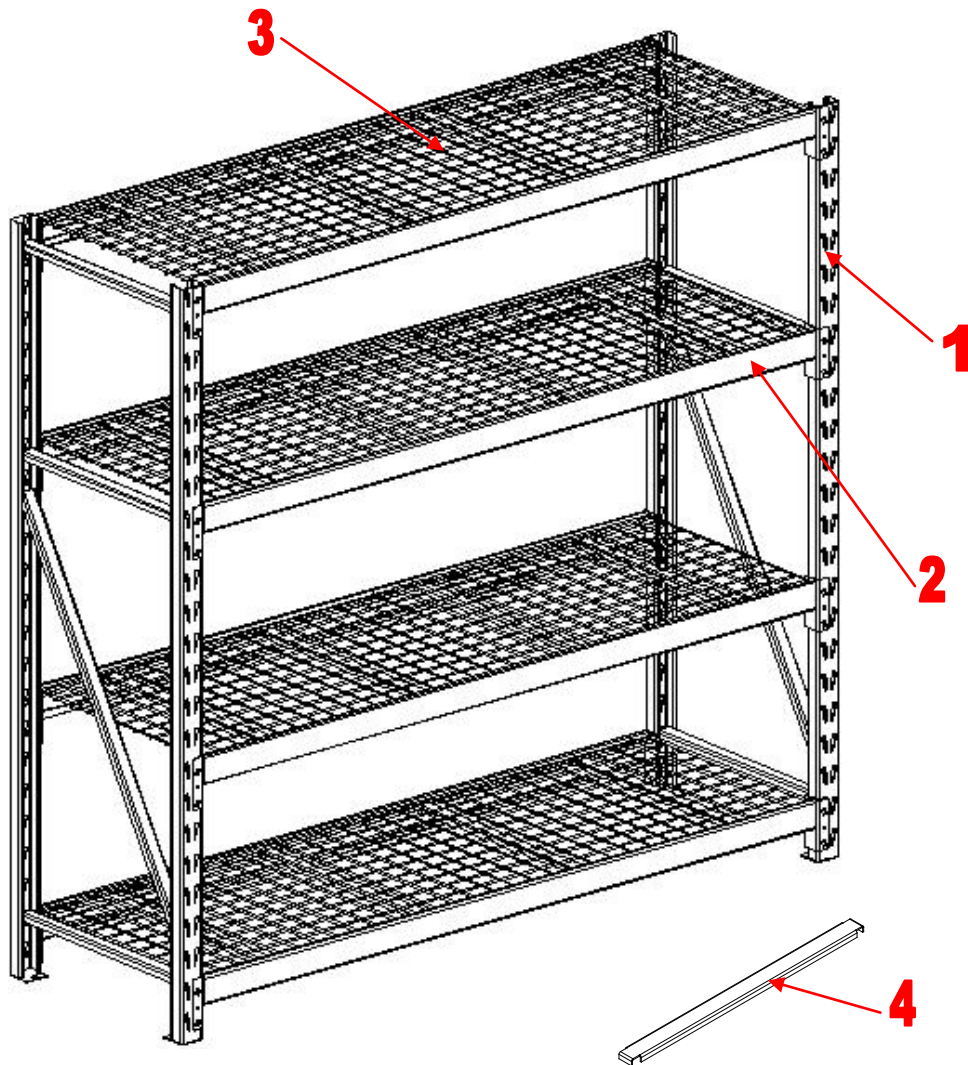
*Organize your life.*

Visit us on the web: [www.whalenstorage.com](http://www.whalenstorage.com)

**Please call for replacement parts or assistance: 1-866-942-5362**

**Whalen Storage  
Factory No. 14400  
Page # 7**

**IF YOU NEED TO ORDER PARTS PLEASE USE THE LIST BELOW  
INDUSTRIAL RACK WITH INTERLOCKING WIRE DECKS**



- \* WS-NIR-772472WWD-BW-1-UF
- \* WS-NIR-772472WWD-BW-2-CB
- \* WS-NIR-772472WWD-BW-3-WD
- \* WS-NIR-772472WWD-BW-4-C

- Upright Frame
- Cross Beam
- Wire Deck
- Channel

Made in China

Ⓔ

**Please call for replacement parts or assistance: 1-866-942-5362**

**Whalen Storage  
Factory No. 14400  
Page # 8**