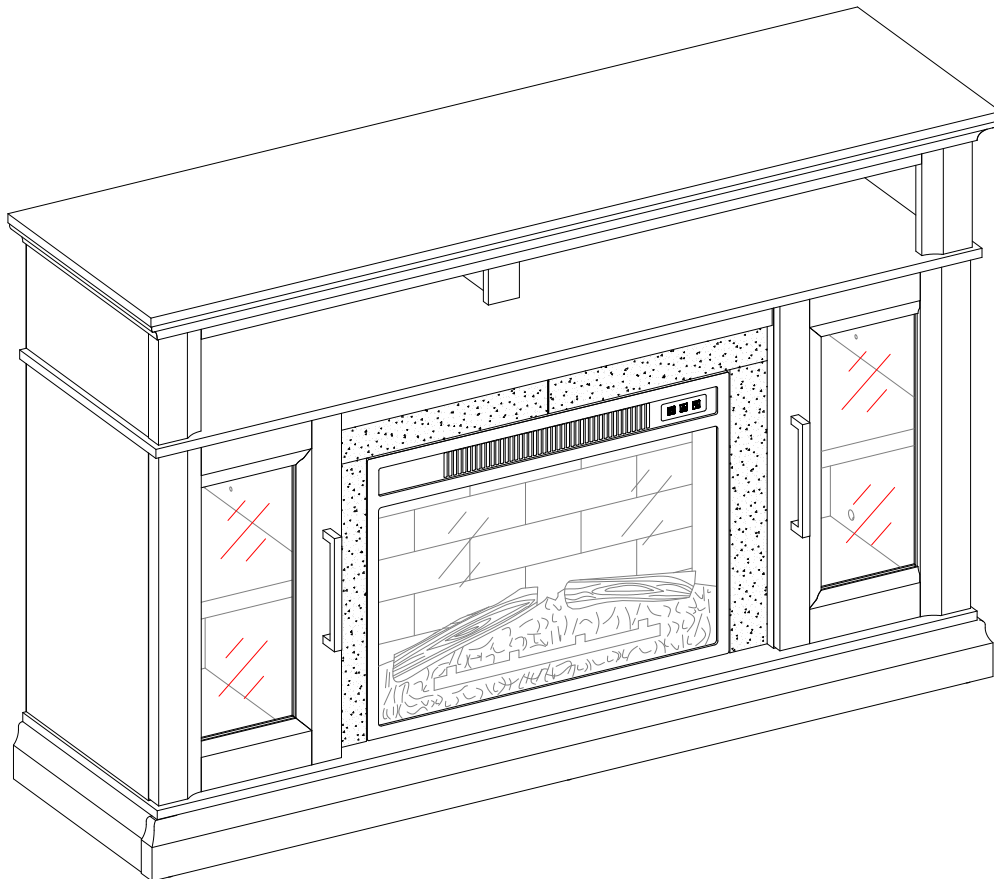




LOT NUMBER: _____
DATE PURCHASED: __/__/__

Lakewood 54" Fireplace Console

Model # MNFP54LW23



ADULT ASSEMBLY REQUIRED

If you have any questions regarding assembly or if parts are missing, **DO NOT** return this item to the store where it was purchased. Please call our toll-free customer service number and have your instructions and parts list ready to provide the model name, part name or factory number:

1-866-942-5362

Pacific Standard Time: 8:30 a.m. - 4:30 p.m., Monday - Friday
Or visit our website 24 Hours a day, 7 days a week for product assistance at

www.whalenfurniture.com

Or e-mail your request to: **parts@whalenfurniture.com**

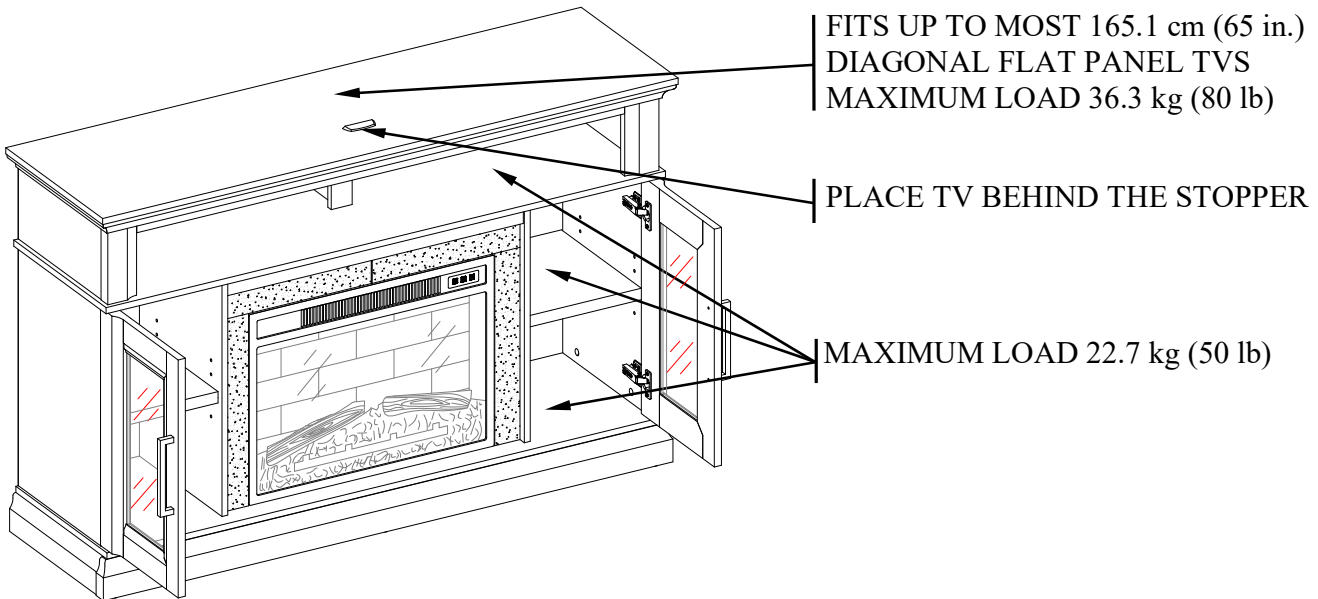
**THIS INSTRUCTION BOOKLET CONTAINS IMPORTANT SAFETY INFORMATION.
PLEASE READ AND KEEP FOR FUTURE REFERENCE.**

Date 2020-06-23

Rev. 0001-A

MAXIMUM RECOMMENDED WEIGHT LOADS

MANUFACTURER: Whalen Furniture Manufacturing
CATALOG: Lakewood 54" Fireplace Console
MODEL # MNFP54LW23

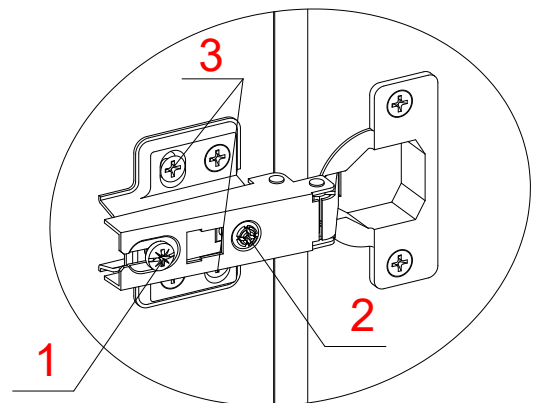


WARNING THIS UNIT IS NOT INTENDED FOR USE WITH CRT TVS. USE ONLY WITH FLAT PANEL TVS AND AUDIO/VIDEO EQUIPMENT MEETING RECOMMENDED SIZE AND WEIGHT LIMITS. NEVER USE WITH LARGER/HEAVIER THAN RECOMMENDED FLAT PANEL TVS OR EQUIPMENT. TO AVOID INSTABILITY, PLACE FLAT PANEL TV IN THE CENTER OF THE UNIT; THE BASE OF THE TELEVISION MUST BE ABLE TO REST ON THE SUPPORTING SURFACE OF THE UNIT WITHOUT OVER-HANGING THE EDGES. IMPROPERLY POSITIONED FLAT PANEL TVS, OR FLAT PANEL TVS INCLUDING OTHER EQUIPMENT THAT EXCEED RECOMMENDED SIZE AND WEIGHT LIMITS COULD FALL OFF OR BREAK THE UNIT, CAUSING POSSIBLE SERIOUS INJURY. FOR USE WITH TELEVISIONS WEIGHING 80 LBS (36.3 KG) OR LESS. USE WITH HEAVIER TELEVISIONS MAY RESULT IN INSTABILITY CAUSING TIP OVER RESULTING IN DEATH OR SERIOUS INJURY.

How to adjust the European adjustable hinges on doors

Shipping may cause doors to go out of alignment. If you find that the doors need to be adjusted slightly, turn the appropriate screw, as illustrated.

1. TO ADJUST DOOR FORWARD OR BACKWARD.
2. TO ADJUST DOOR TO RIGHT OR TO LEFT.
3. TO ADJUST DOOR UP OR DOWN.

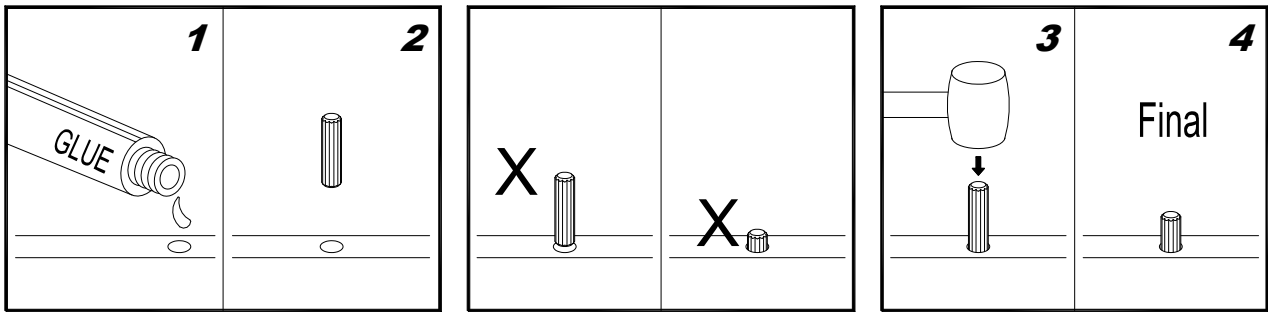


IMPORTANT

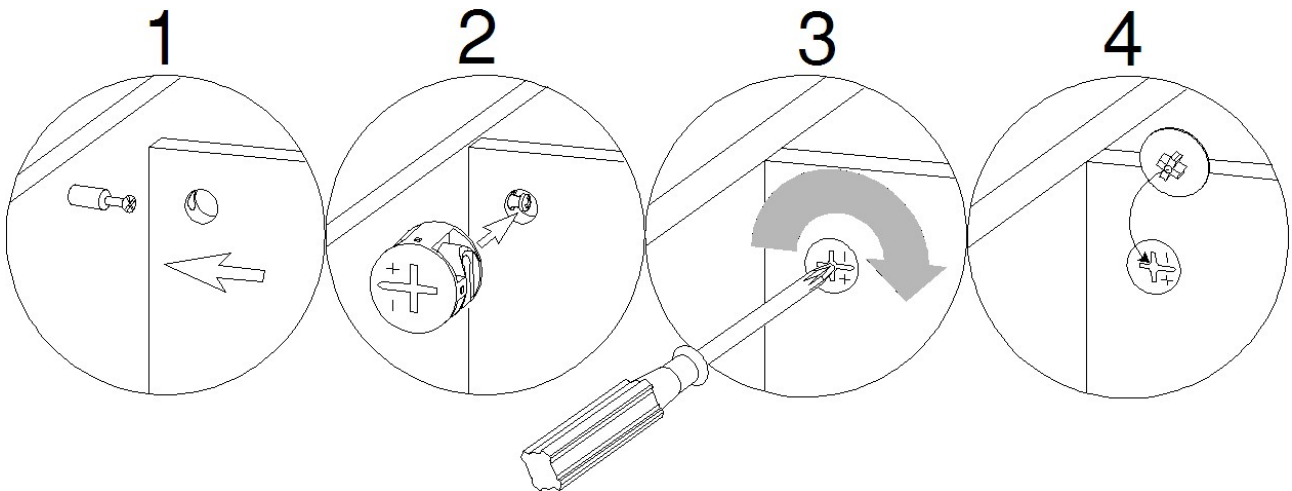
Before you begin: Open, identify and count all parts prior to assembly. Lay out parts on a flat and non-abrasive surface. You will need the parts identified on page 4 and 5 of this instruction manual.

NOTE: IT IS VERY IMPORTANT TO USE GLUE WITH THE DOWELS. EXCESS GLUE CAN BE WIPED OFF WITH A DAMP CLOTH.

Insert Dowel at least half way by tapping lightly with a rubber mallet (not included), IF NECESSARY.



CAM LOCK SYSTEM OPERATION



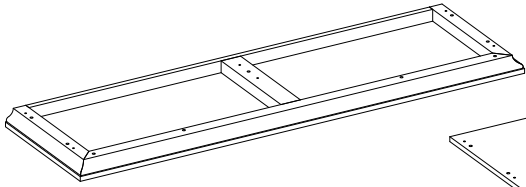
HOW THE KNOCK DOWN (KD) ASSEMBLY SYSTEM WORKS

1. Screw the Cam Bolt into the pre-drilled small holes on the panel. Connect both panels together; making sure the Cam Bolt goes into the pre-drilled hole at the end of the panel with the Cam Lock.
2. Insert the Cam Lock into the pre-drilled large hole in the panel. Make sure the arrow on the Cam Lock is pointed towards the Cam Bolt.
3. Once the Cam Bolt is connected inside the Cam Lock, take a Phillips screwdriver (not included) and tighten the Cam Lock clockwise.
4. Plug the Cam Lock Cover into the cross slot of the Cam Locks to conceal the cam.

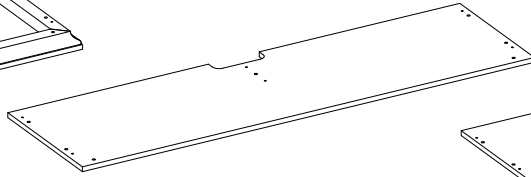
You are now ready to assemble the KD unit.

Parts and Hardware List

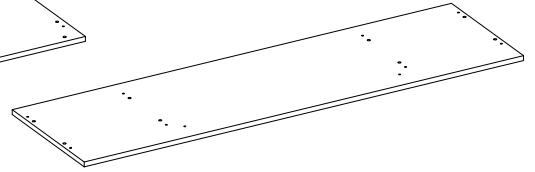
Please read completely through the instructions and verify that all listed parts and hardware are present before beginning assembly.



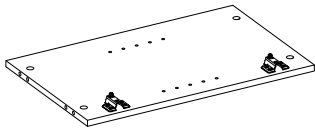
A- Top Panel (Qty. 1)



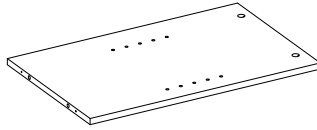
B- Center Shelf (Qty. 1)



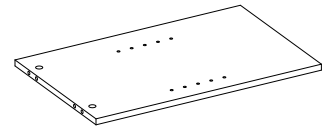
C- Bottom Panel (Qty. 1)



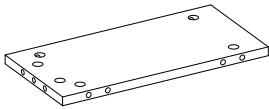
D- Lower Side Panel
(Qty. 2)



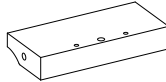
E- Left Lower Partition Panel
(Qty. 1)



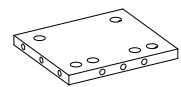
F- Right Lower Partition Panel
(Qty. 1)



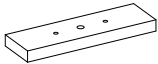
G- Upper Side Panel (Qty. 2)



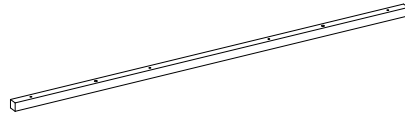
H- Upper Side Panel Molding (Qty. 2)



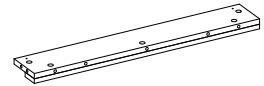
I- Upper Partition Panel (Qty. 1)



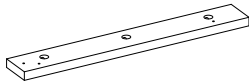
J- Upper Partition Panel Molding (Qty. 1)



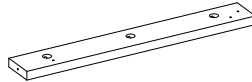
K- Top Front Stretcher (Qty. 1)



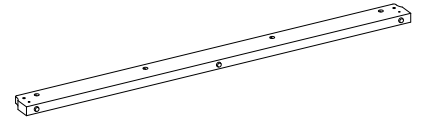
L- Middle Crossbar (Qty. 1)



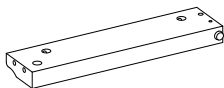
M- Left Middle Stile (Qty. 1)



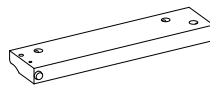
N- Right Middle Stile (Qty. 1)



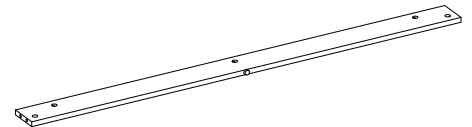
O- Bottom Front Molding (Qty. 1)



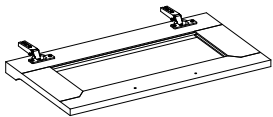
P- Bottom Left Side Molding
(Qty. 1)



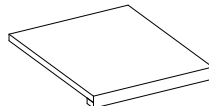
Q- Bottom Right Side Molding
(Qty. 1)



R- Bottom Back Stretcher
(Qty. 1)



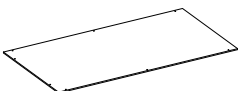
S- Door (Qty. 2)



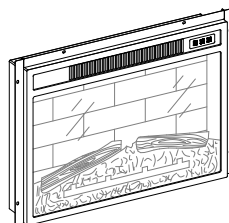
T- Adjustable Shelf (Qty. 2)



U- Upper Back Panel (Qty. 1)



V- Lower Back Panel (Qty. 2)



Fireplace Insert



Remote Control with Battery

Parts and Hardware List

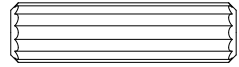
Please read completely through the instructions and verify that all listed parts and hardware are present before beginning assembly.



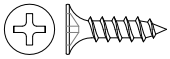
(1) Cam Lock
(Qty. 56+2 extra)



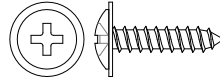
(2) Cam Bolt
(Qty. 56+2 extra)



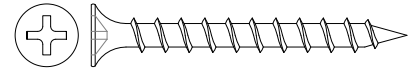
(3) M8 x 30 mm Wood Dowel
(Qty. 56+2 extra)



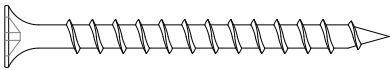
(4) M3.5 x 12 mm Screw
(Qty. 4+1 extra)



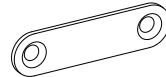
(5) M3.5 x 15 mm Washer Head Screw
(Qty. 32+1 extra)



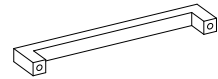
(6) M4 x 40 mm Screw
(Qty. 4+1 extra)



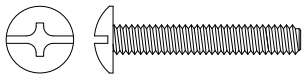
(7) M4 x 50 mm Screw
(Qty. 6+1 extra)



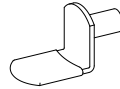
(8) Metal Bracket
(Qty. 2)



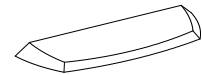
(9) Handle
(Qty. 2)



(10) Handle Bolt
(Qty. 4)



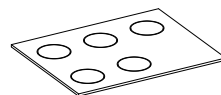
(11) Shelf Support
(Qty. 8+1 extra)



(12) Acrylic Stopper
(Qty. 1)



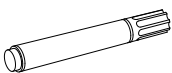
(13) Cam Lock Cover
(Qty. 30+1 extra)



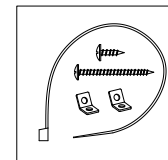
(14) Rubber Bumper
(Qty. 4+1 extra)



Glue (Qty. 2)



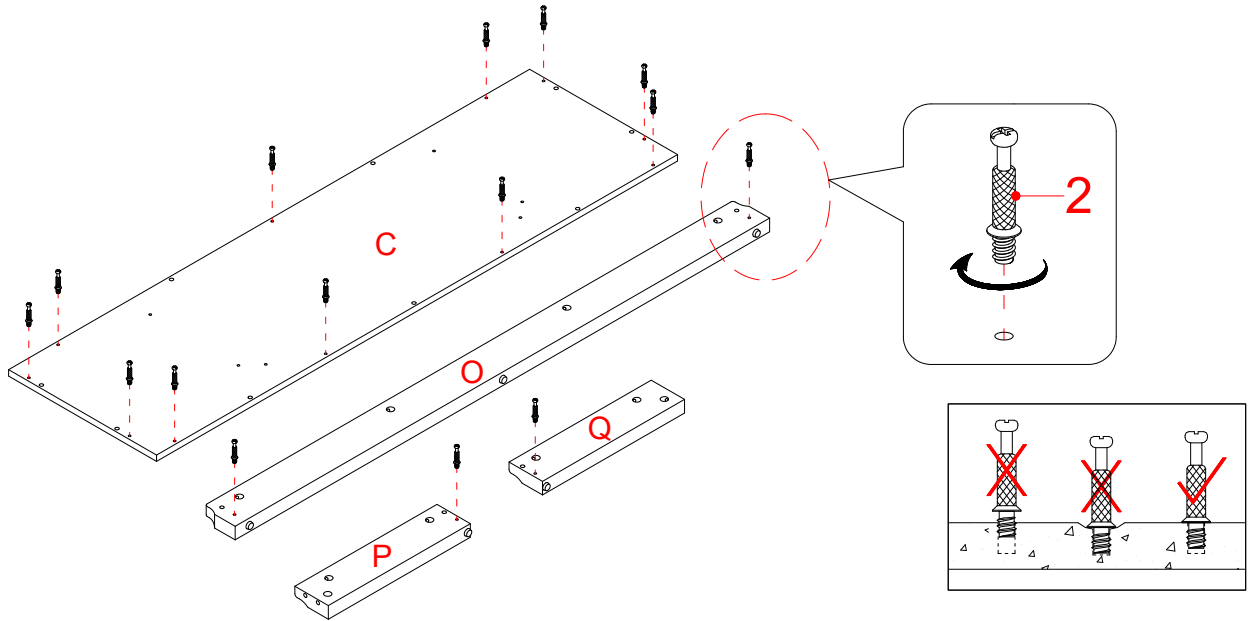
Touch-up Pen
(Qty. 1)



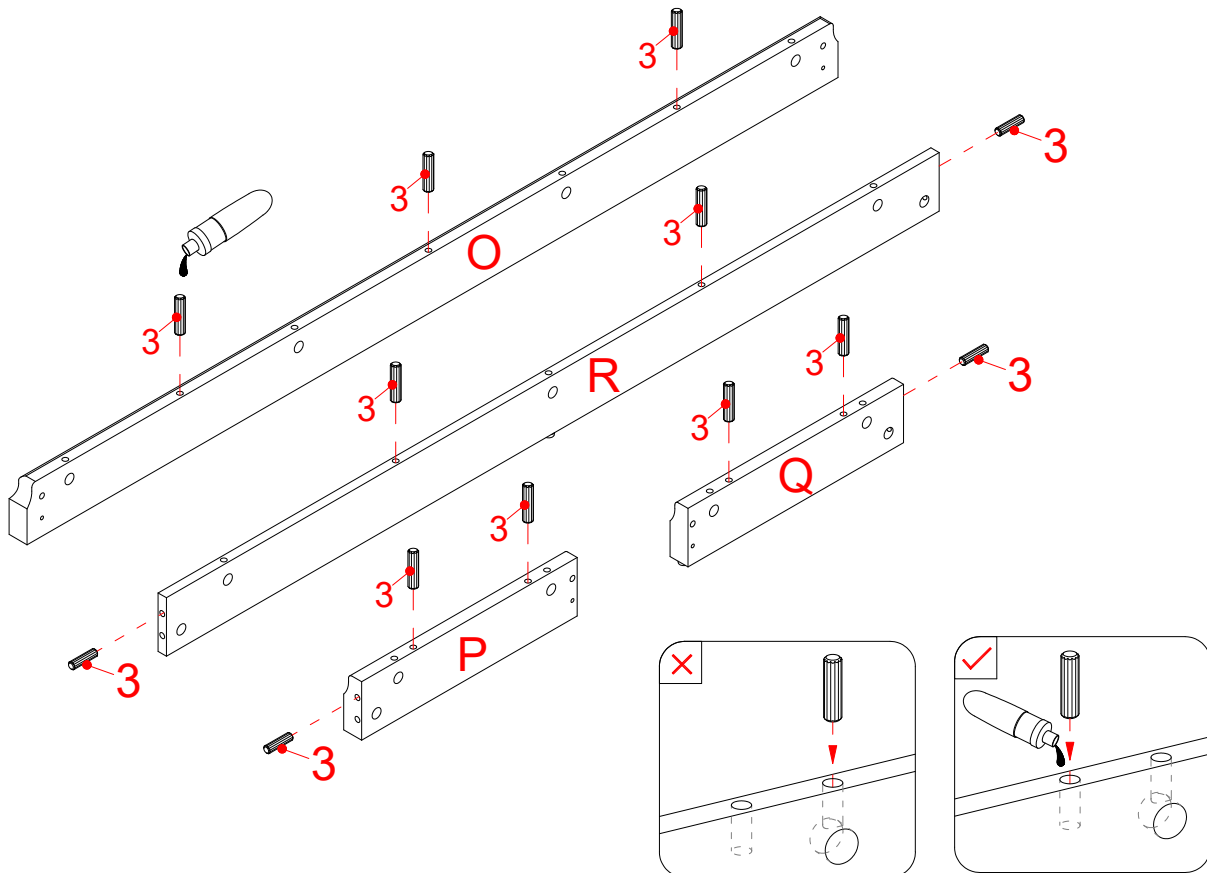
Tipping Restraint Hardware Kit (Qty. 2)
(Included in plastic bag)

Tools required: Phillips screwdriver, rubber mallet, and hammer (not provided).

Assembly Instructions

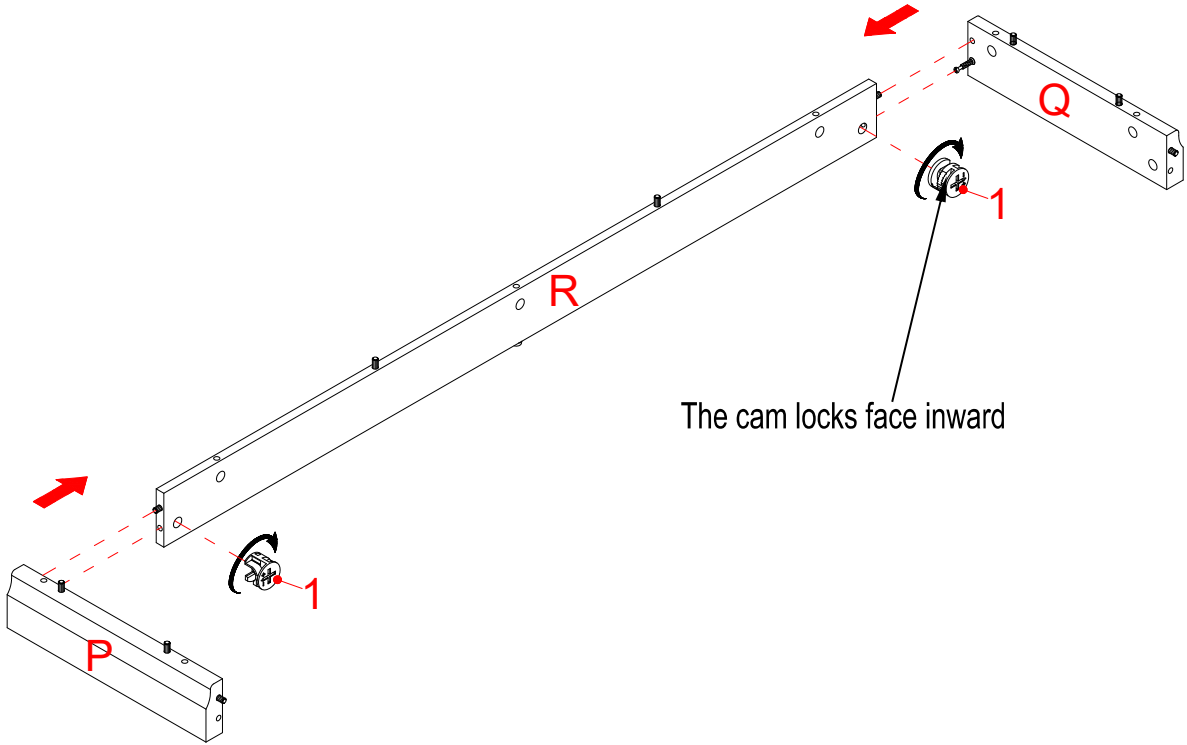


1. Unpack the unit and confirm that you have all the hardware and required parts. Assemble the unit on a carpeted floor or the empty carton to avoid any scratches.
2. Securely screw the Cam Bolts (2) into the designated small holes on the Bottom Panel (C) and the Bottom Moldings (O, P and Q) using a Phillips screwdriver. **NOTE:** DO NOT over tighten the cam bolts.

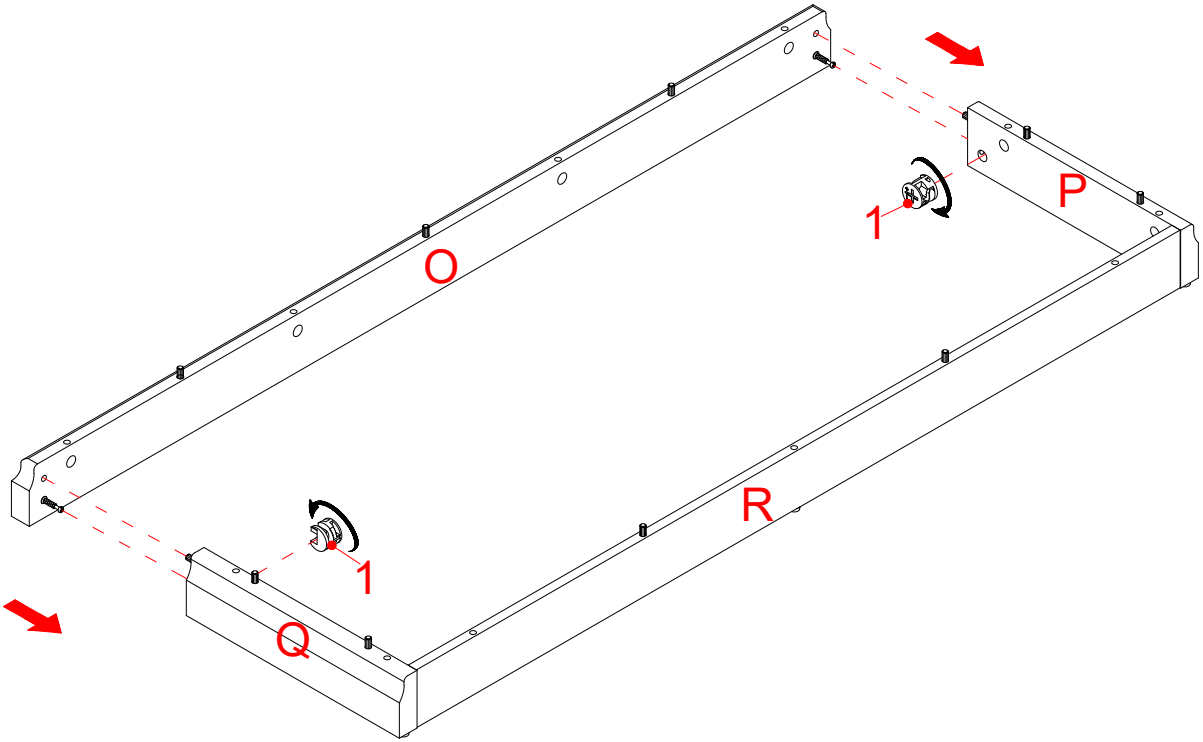


3. Glue the Wood Dowels (3) into the side holes of the Bottom Moldings (O, P and Q) and Back Stretcher (R).

Assembly Instructions

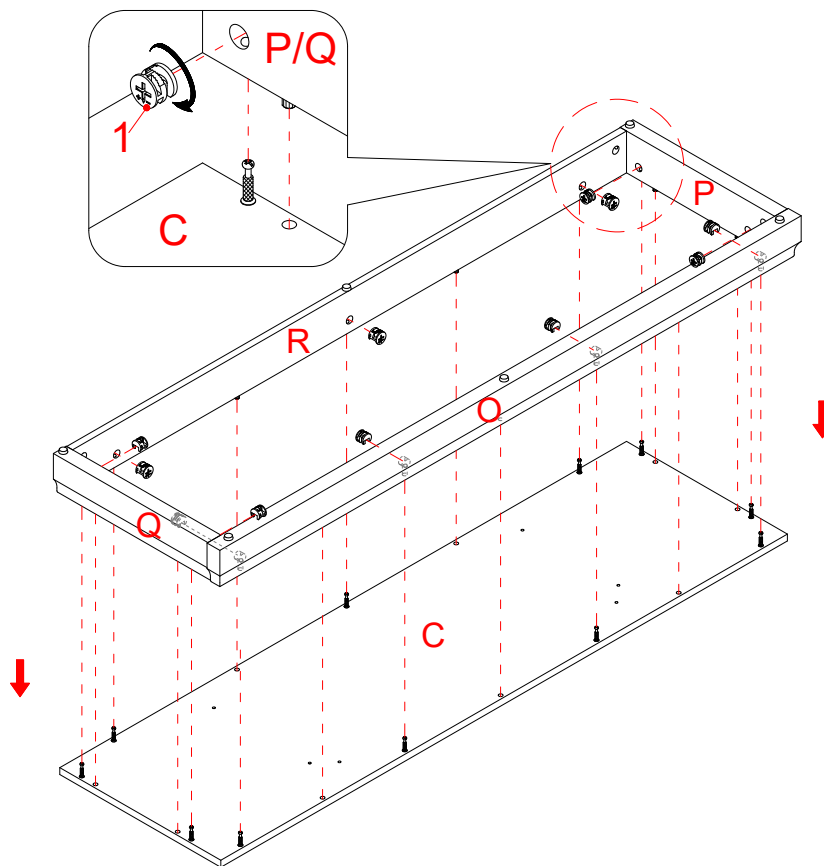


- 4. Attach the Bottom Back Stretcher (R) between the Bottom Side Moldings (P and Q) by engaging two Cam Locks (1).

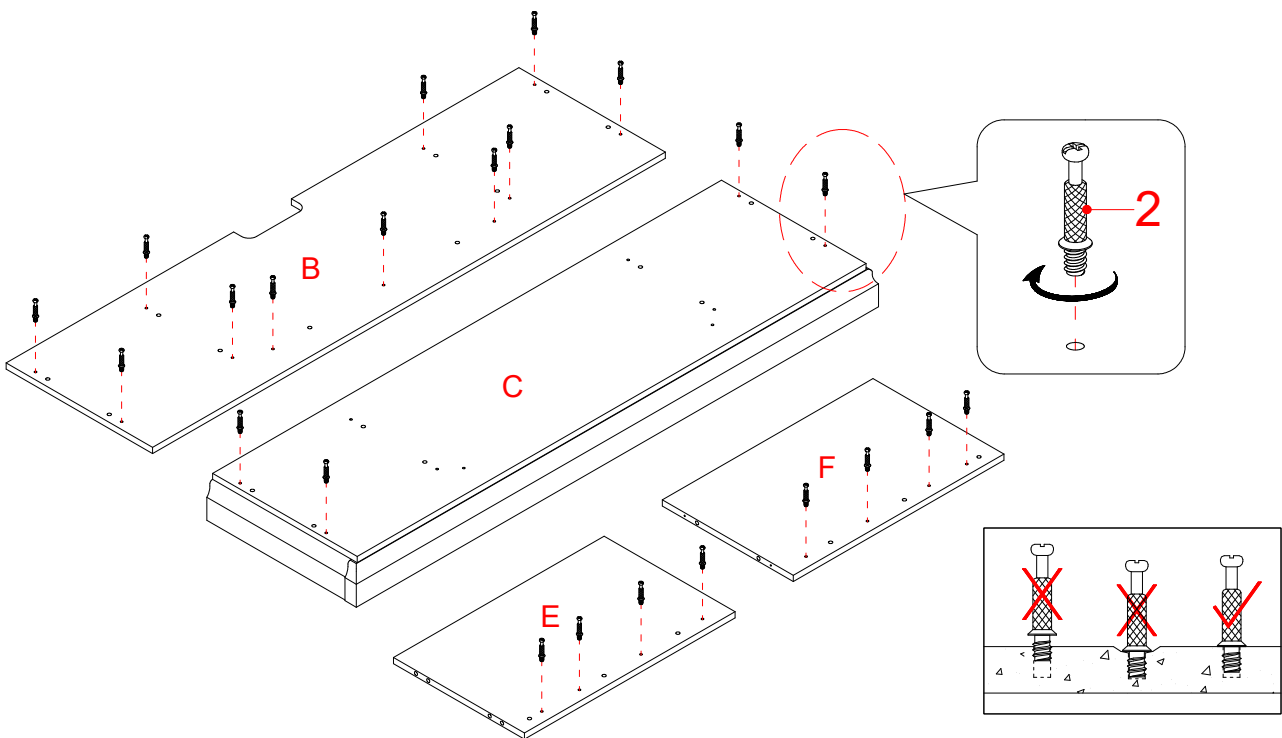


- 5. Attach the Bottom Front Molding (O) to the Bottom Side Moldings (P and Q) by engaging two Cam Locks (1).

Assembly Instructions

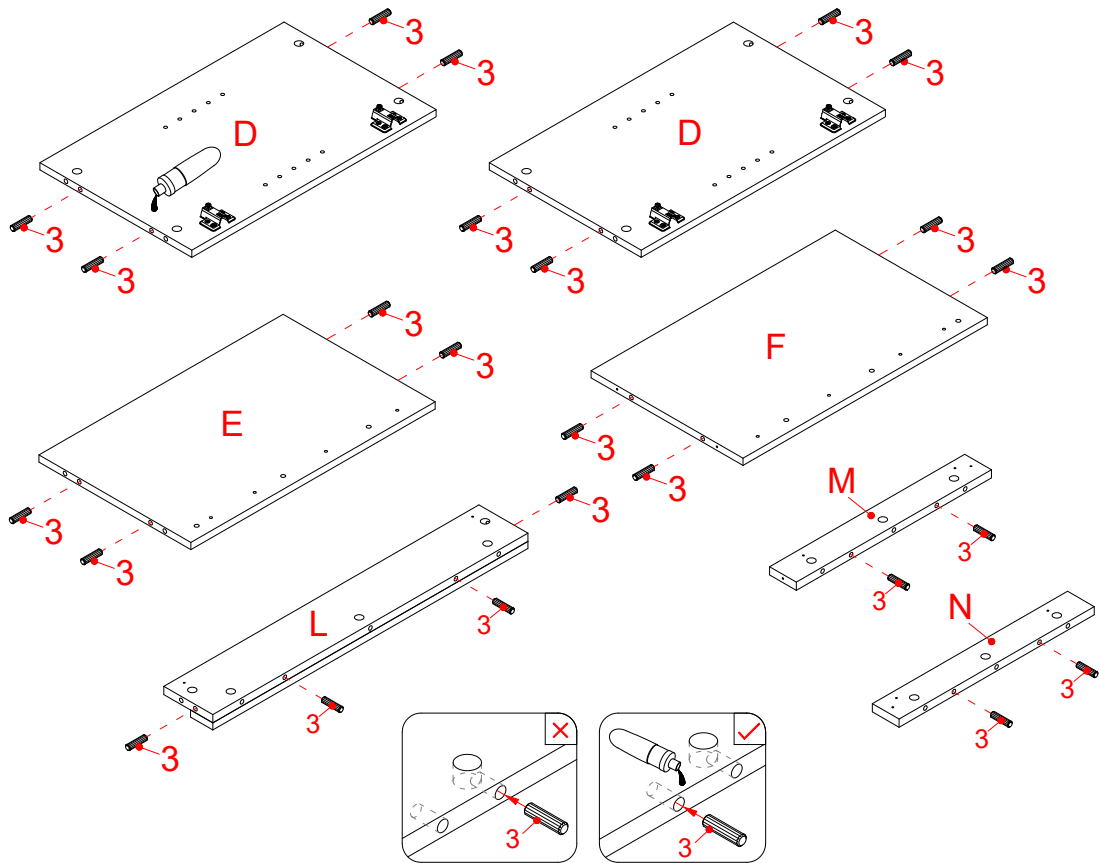


6. Attach the assembled base to the bottom panel (C) by engaging the Cam Locks (1).

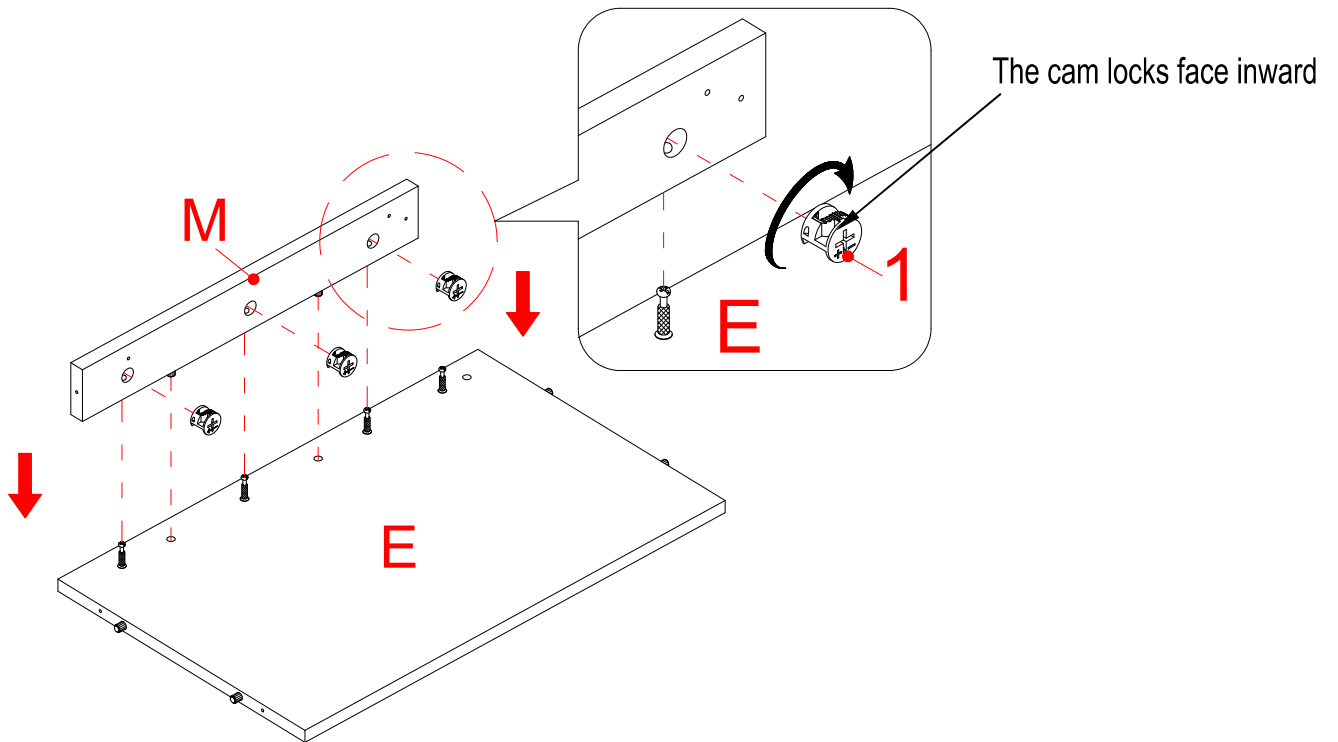


7. Securely screw the Cam Bolts (2) into the designated small holes on the Center Shelf (B), Bottom Panel (C) and Lower Partition Panels (E and F) using a Phillips screwdriver. **NOTE:** DO NOT over tighten the cam bolts.

Assembly Instructions

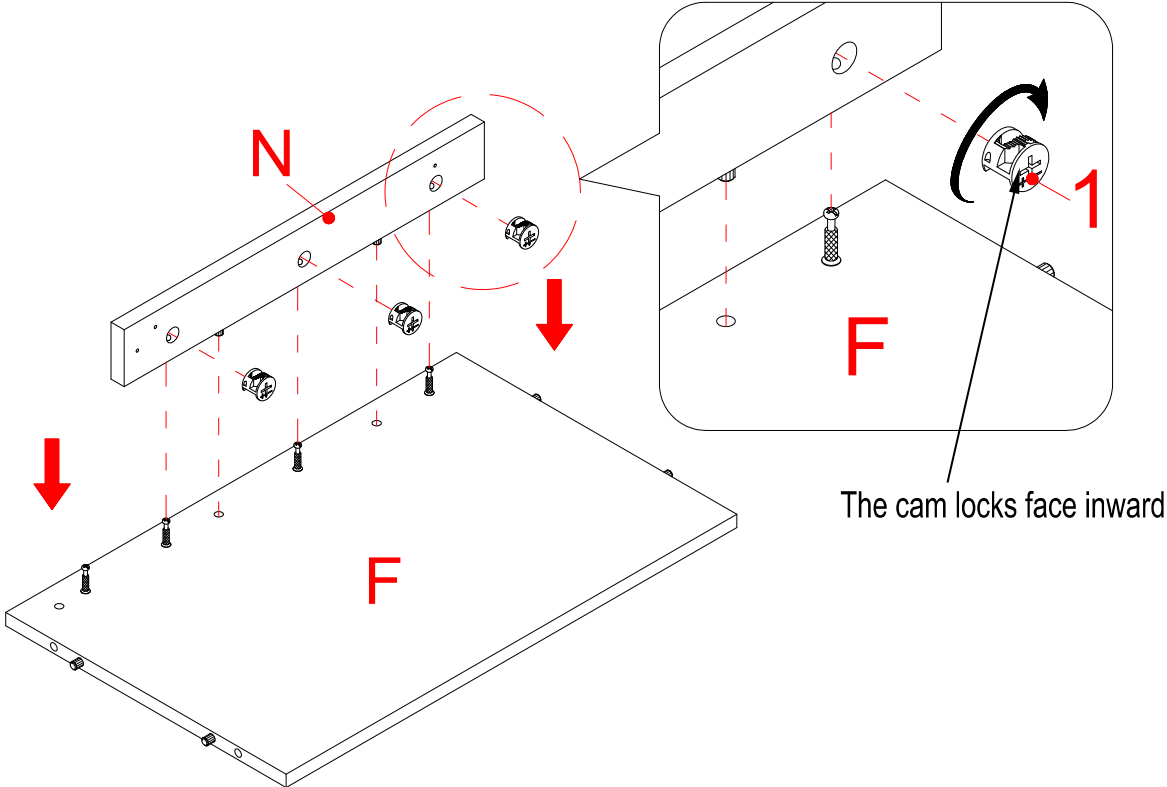


8. Glue the Wood Dowels (3) into the side holes of the Panels (D, E and F), Middle Crossbar (L) and Middle Stiles (M and N).

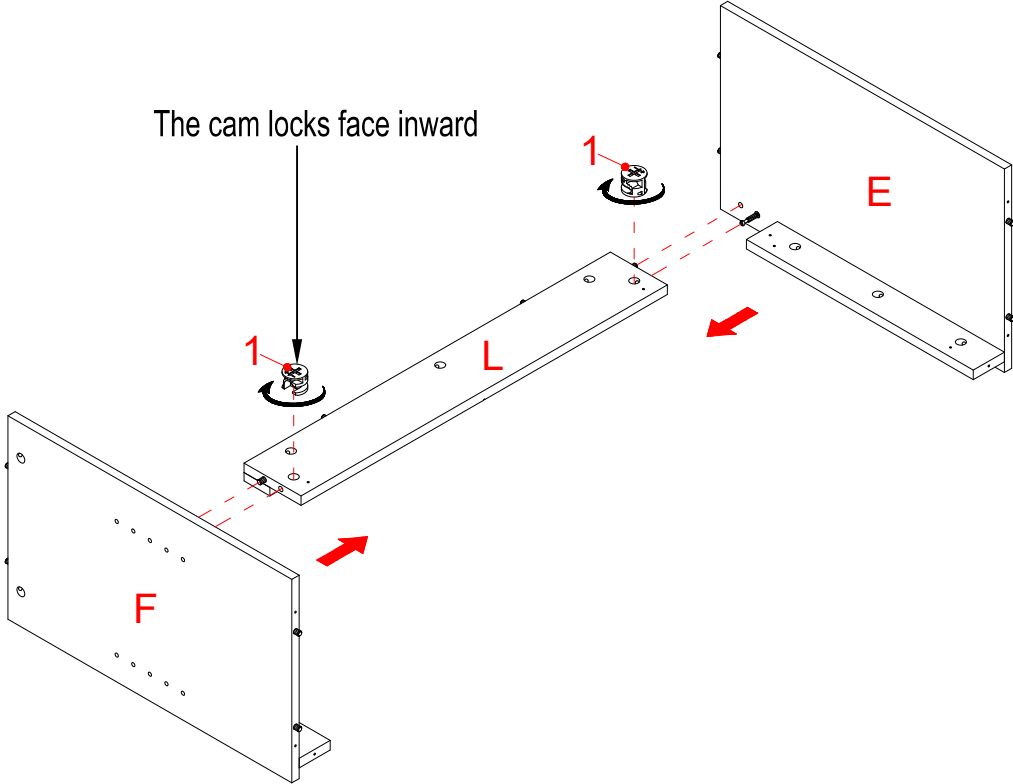


9. Attach the Left Middle Stile (M) to the Left Lower Partition Panel (E) by engaging three Cam Locks (1).

Assembly Instructions

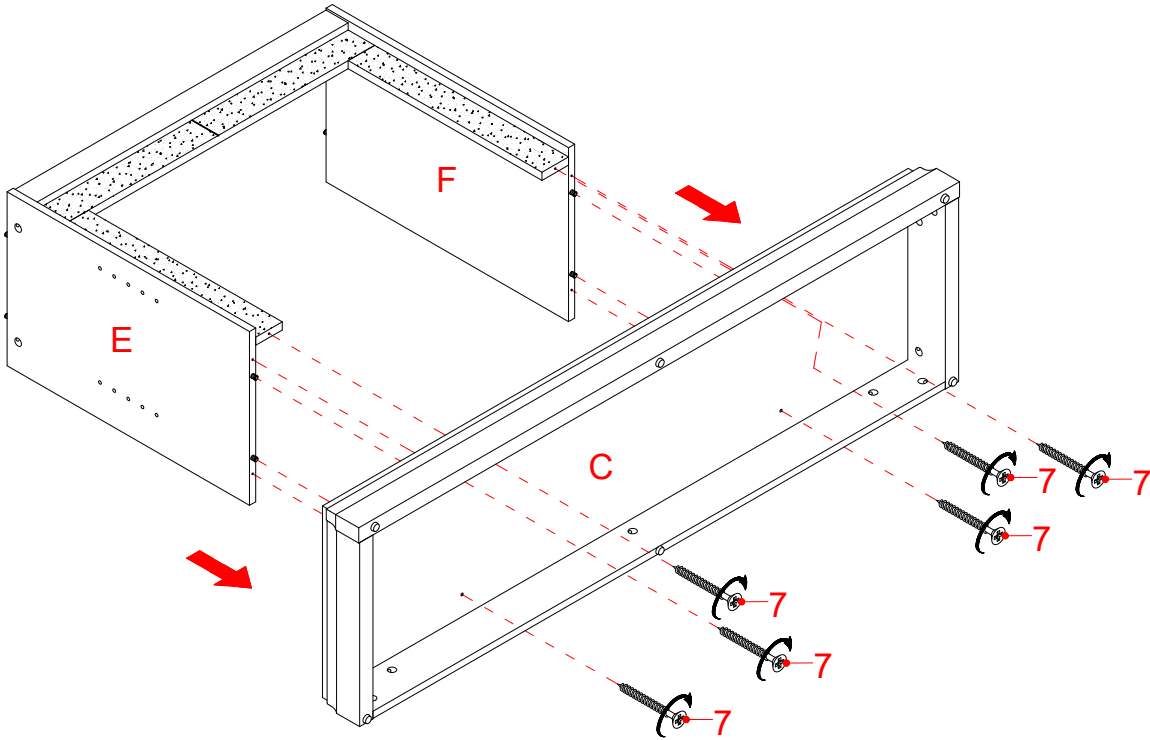


10. Attach the Right Middle Stile (N) to the Right Lower Partition Panel (F) by engaging three Cam Locks (1).



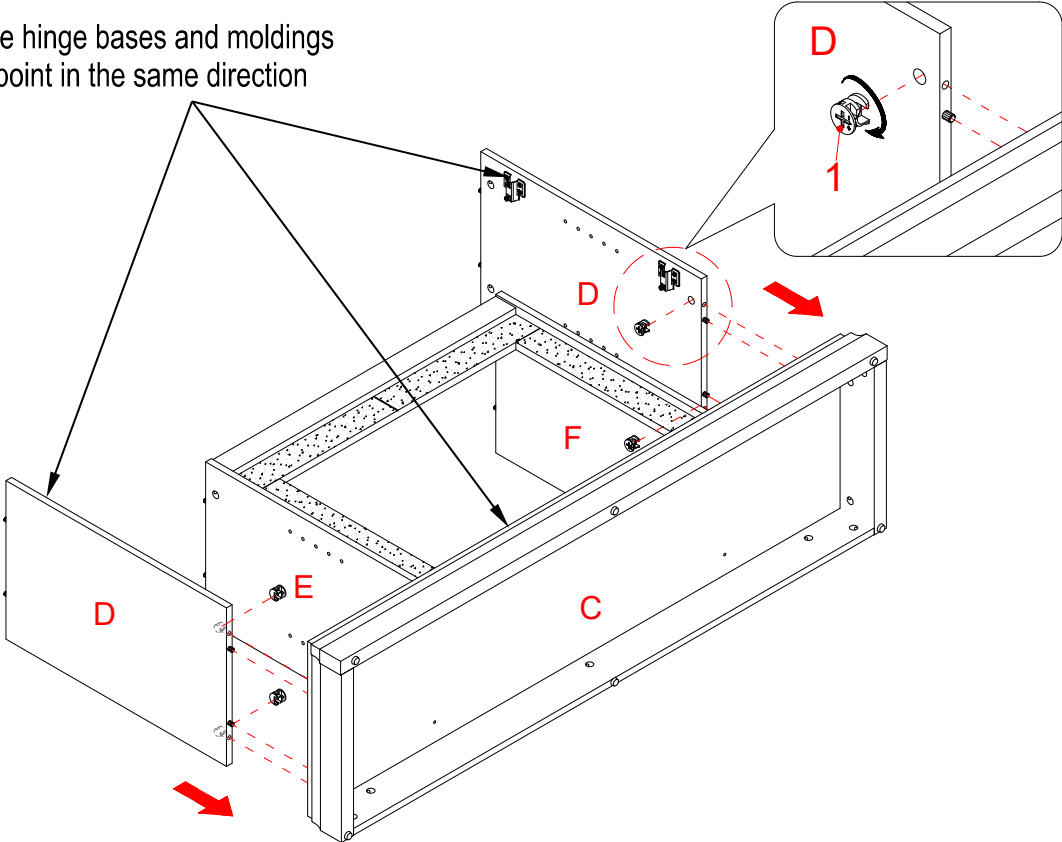
11. Attach the Middle Crossbar (L) between the Lower Partition Panels (E and F) by engaging two Cam Locks (1).

Assembly Instructions



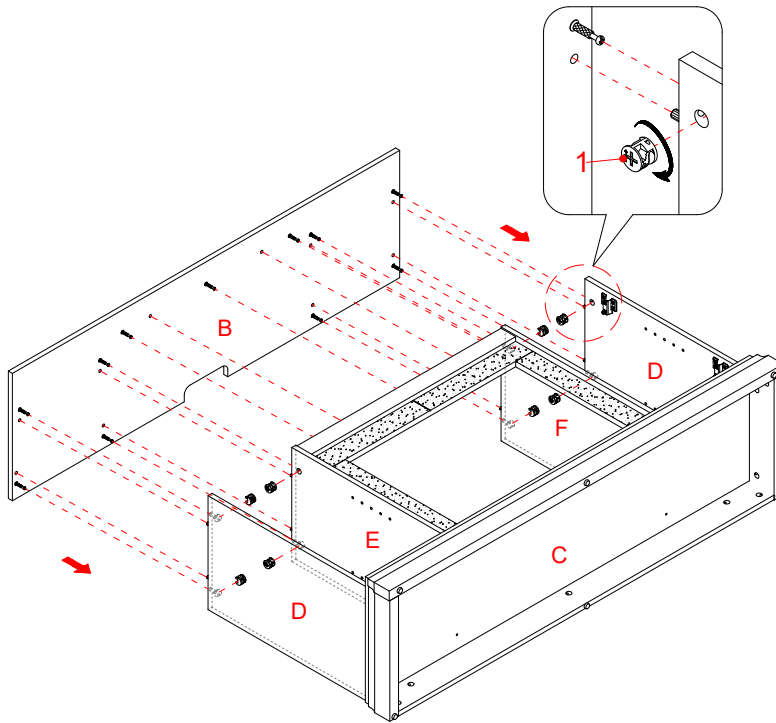
12. Attach the Lower Partition Panels (E and F) to the Bottom Panel (C) with six 50 mm Screws (7).

The hinge bases and moldings point in the same direction

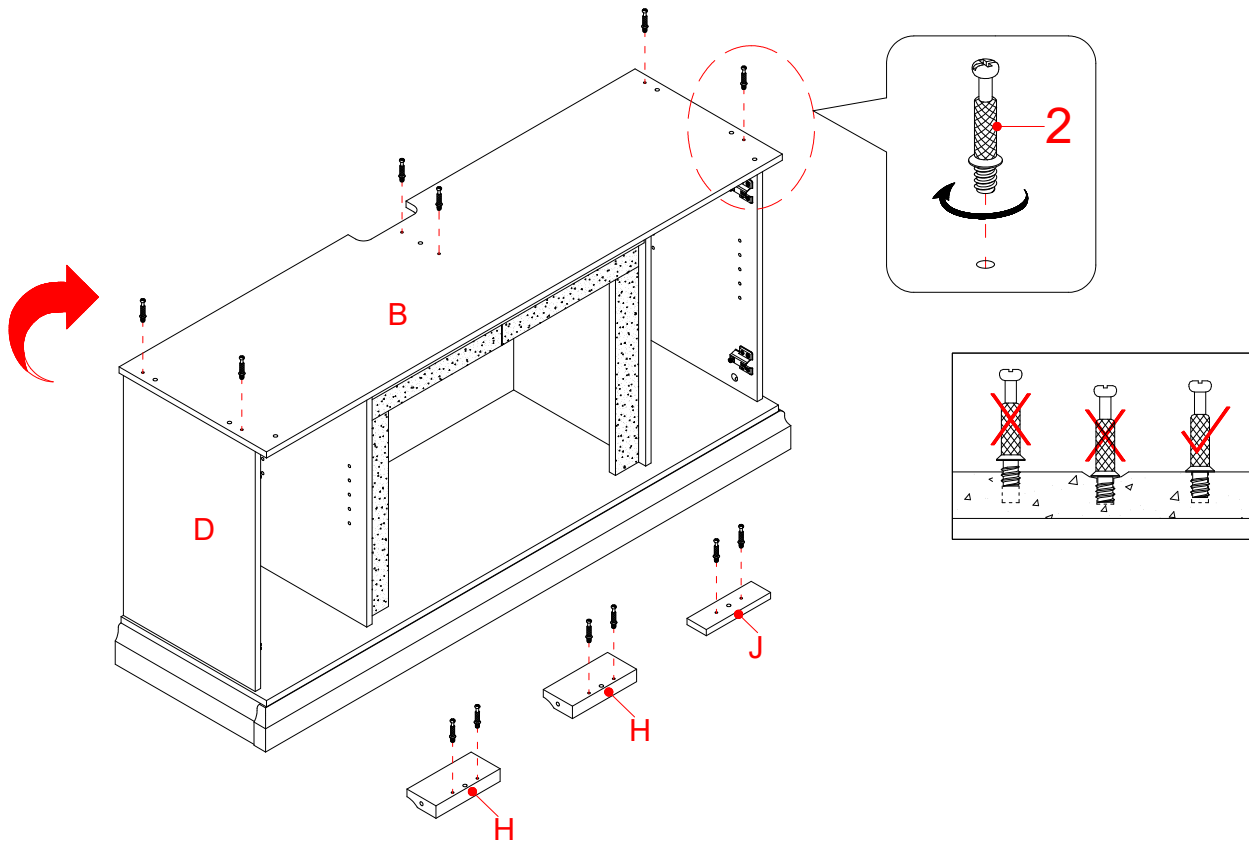


13. Attach the Lower Side Panels (D) to the Bottom Panel (C) by engaging the Cam Locks (1).

Assembly Instructions

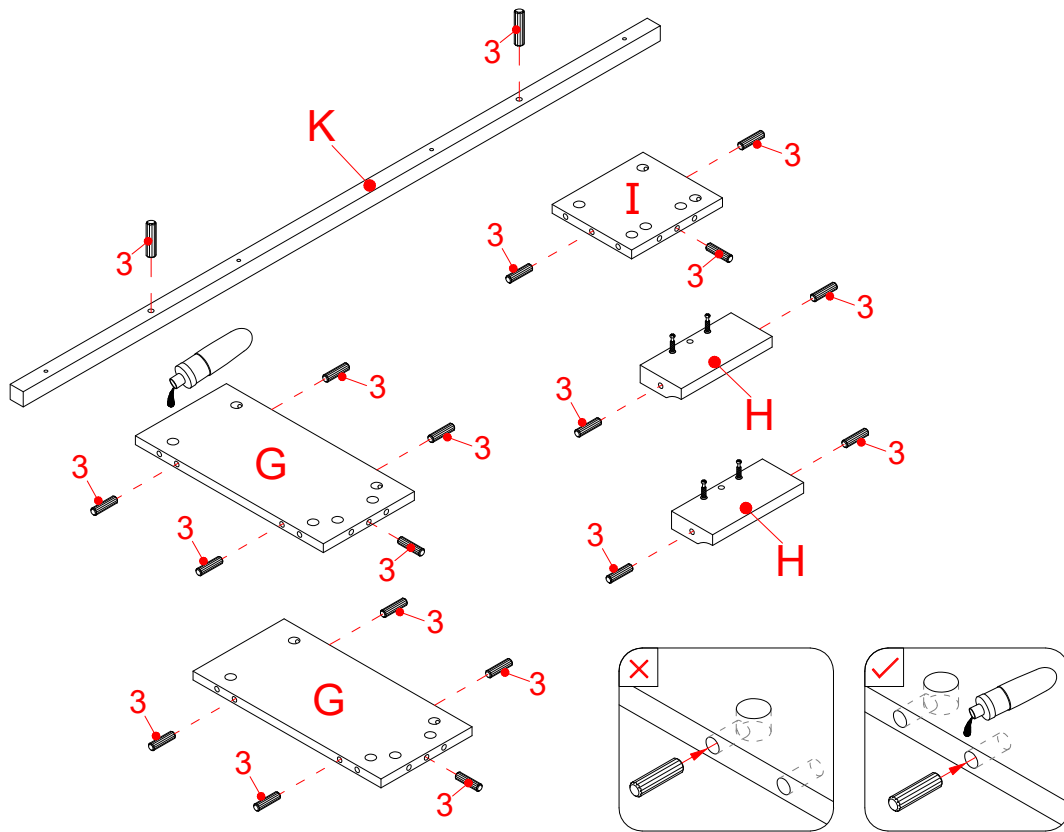


14. Ask for assistance to place the Center Shelf (B) onto the inserted wood dowels on the vertical panels properly and fasten it in place with the Cam Locks (1).

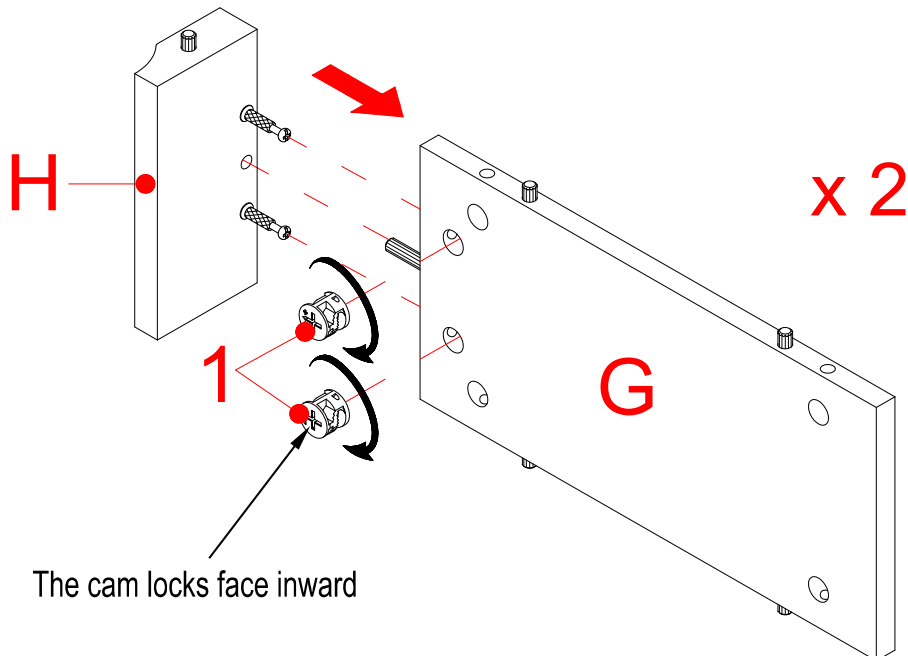


15. Stand the assembled unit upright.
16. Securely screw the Cam Bolts (2) into the designated small holes on the Center Shelf (B) and Moldings (H and J) using a Phillips screwdriver. **NOTE:** DO NOT over tighten the cam bolts.

Assembly Instructions



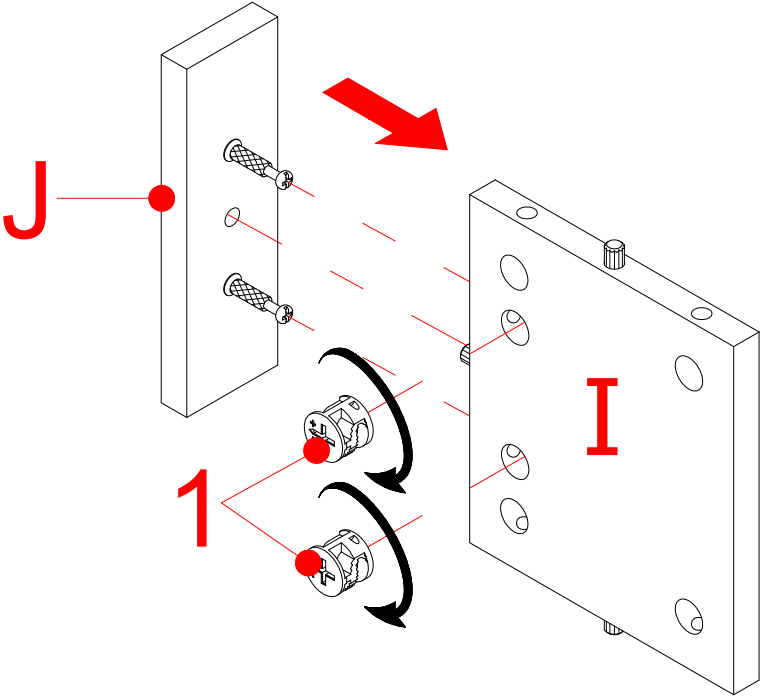
17. Glue the Wood Dowels (3) into the side holes of the Panels (G and I), Top Front Stretcher (K) and Upper Side Panel Moldings (H).



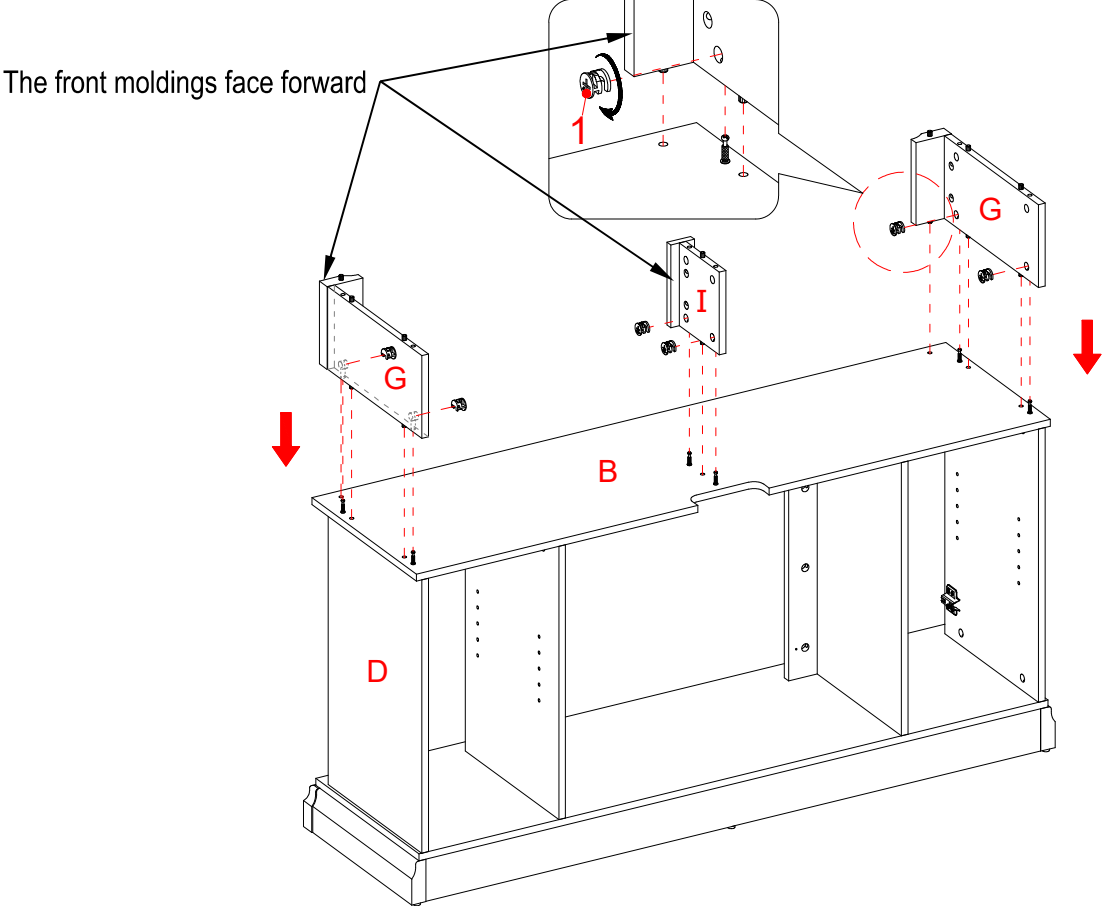
18. Attach one Upper Side Panel (G) to one Upper Side Panel Molding (H) by engaging two Cam Locks (1) as shown.

19. Repeat the same procedure to combine the other Upper Side Panel and Molding (G and H) together.

Assembly Instructions

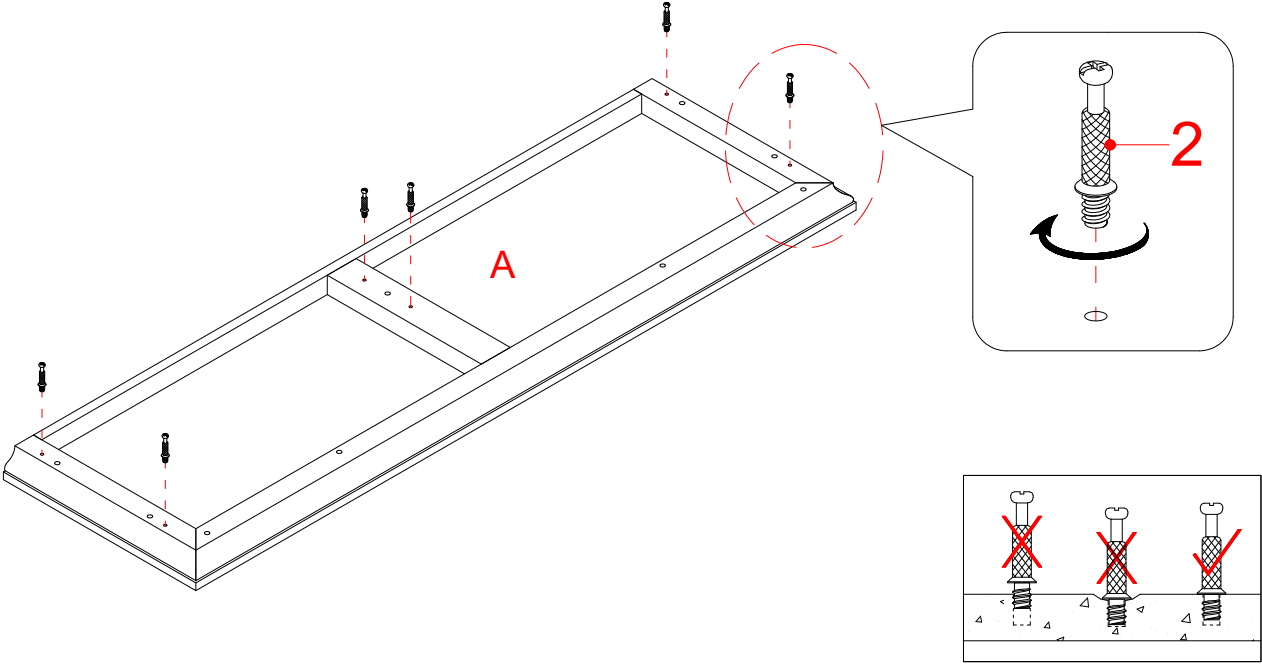


20. Attach the Upper Partition Panel (I) to the Upper Partition Panel Molding (J) by engaging two Cam Locks (1) as shown.

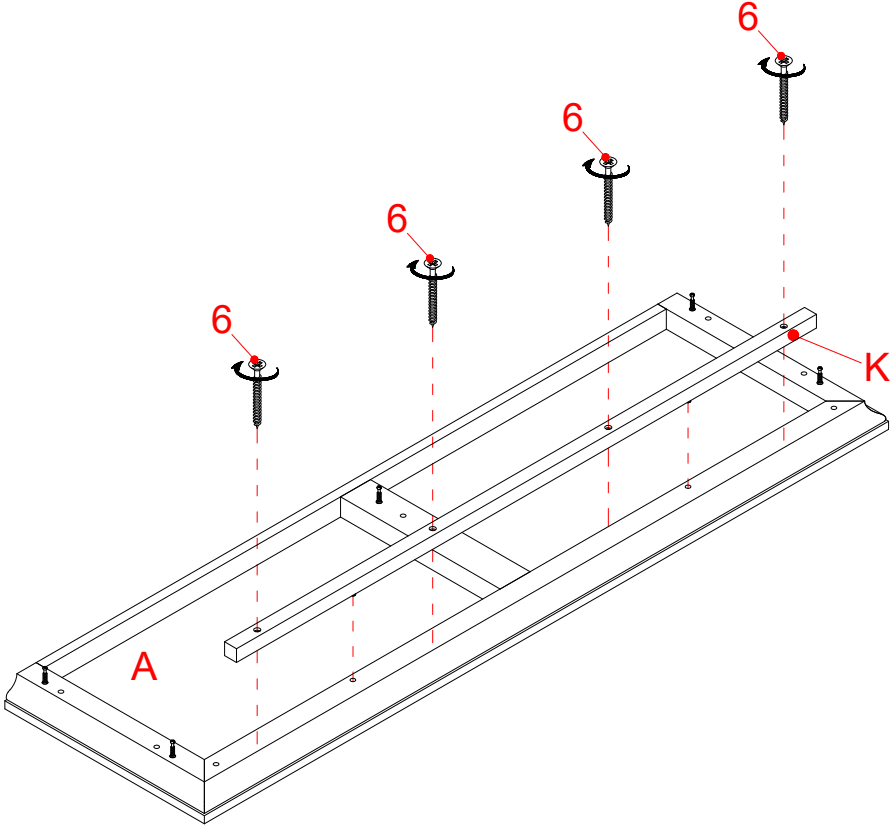


21. Attach both upper side panel assemblies and Partition Panel (I) to the Center Shelf (B) by engaging the Cam Locks (1).

Assembly Instructions

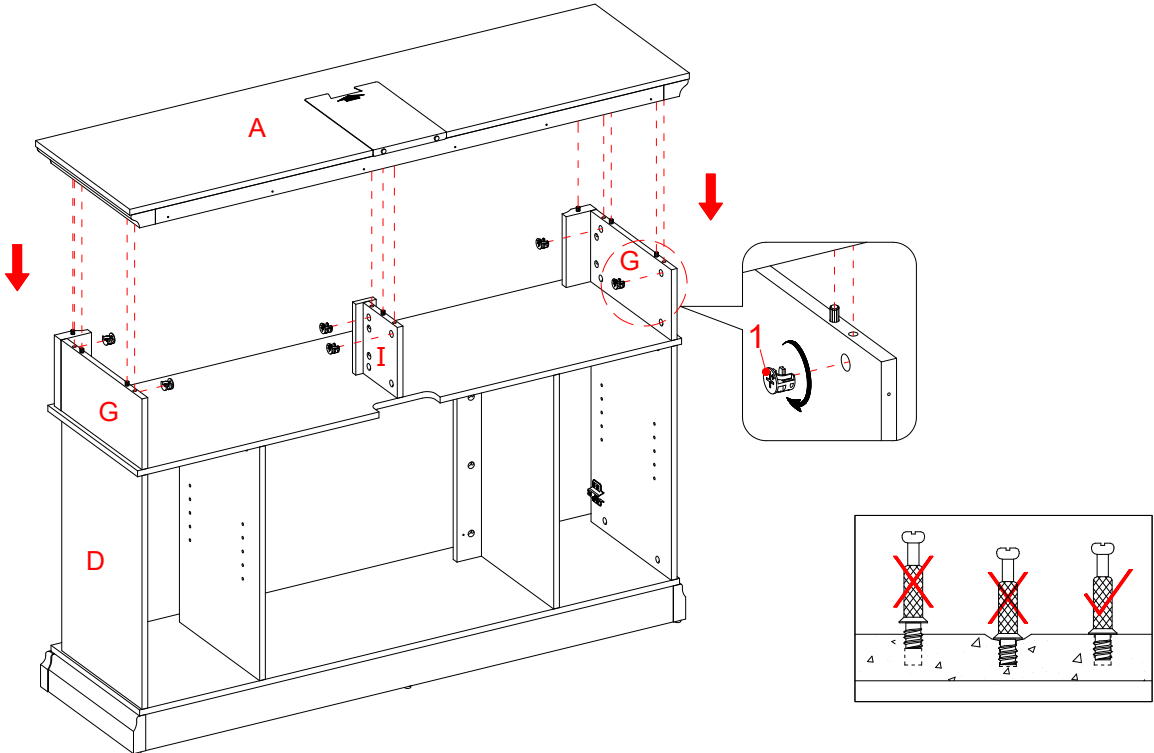


22. Securely screw the Cam Bolts (2) into the designated small holes on the Top Panel (A) using a Phillips screwdriver. **NOTE:** DO NOT over tighten the cam bolts.

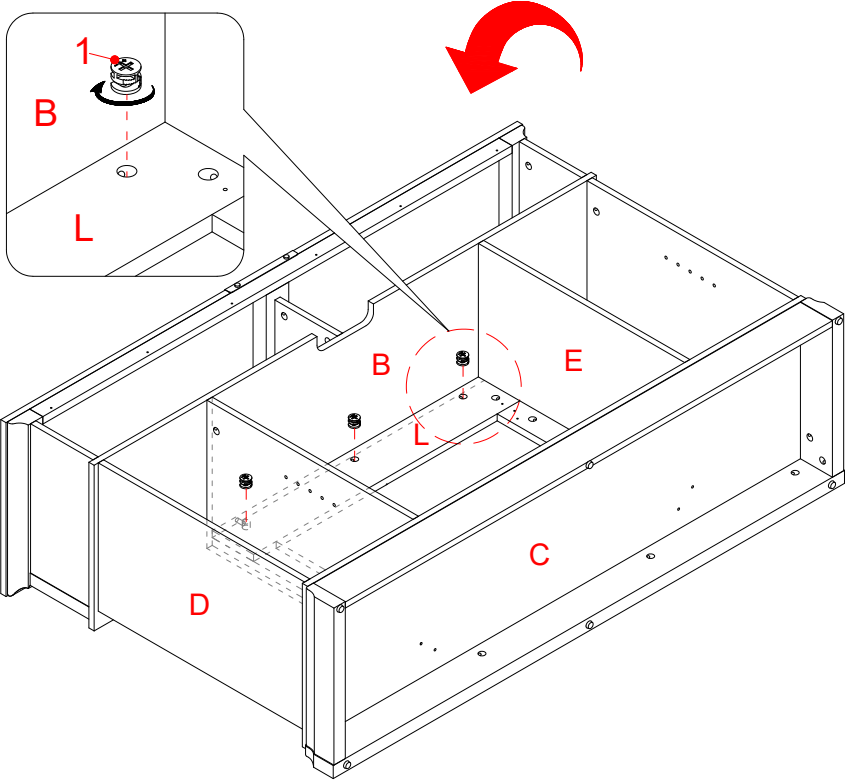


23. Attach the Top Front Stretcher (K) to the Top Panel (A) with four 40 mm Screws (6).

Assembly Instructions



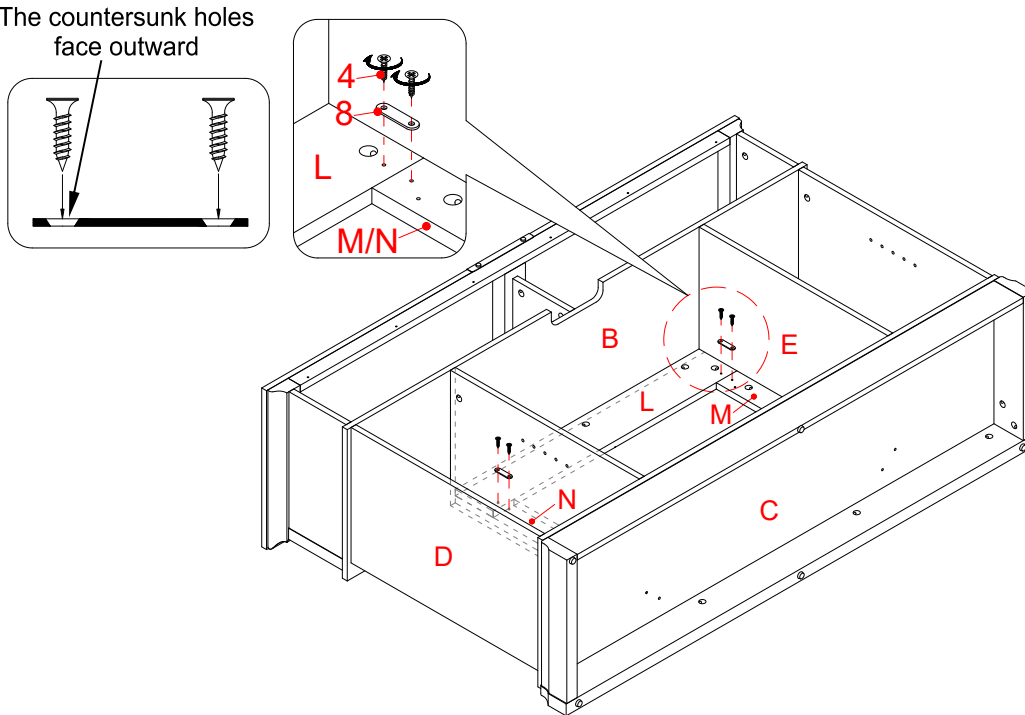
24. Position the Top Panel (A) onto the inserted Wood Dowels (1) and fasten it in place by engaging six Cam Locks (1).



25. Fasten the Middle Crossbar (L) to the Center Shelf (B) by engaging three Cam Locks (1).

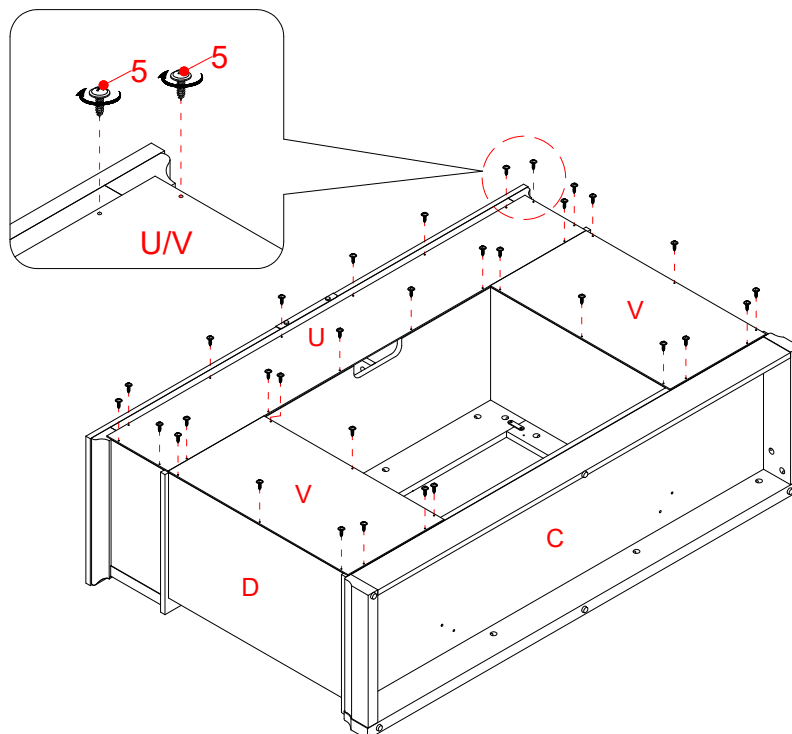
Assembly Instructions

The countersunk holes
face outward



26. Ask for assistance to lay down the assembled unit at its front edges.

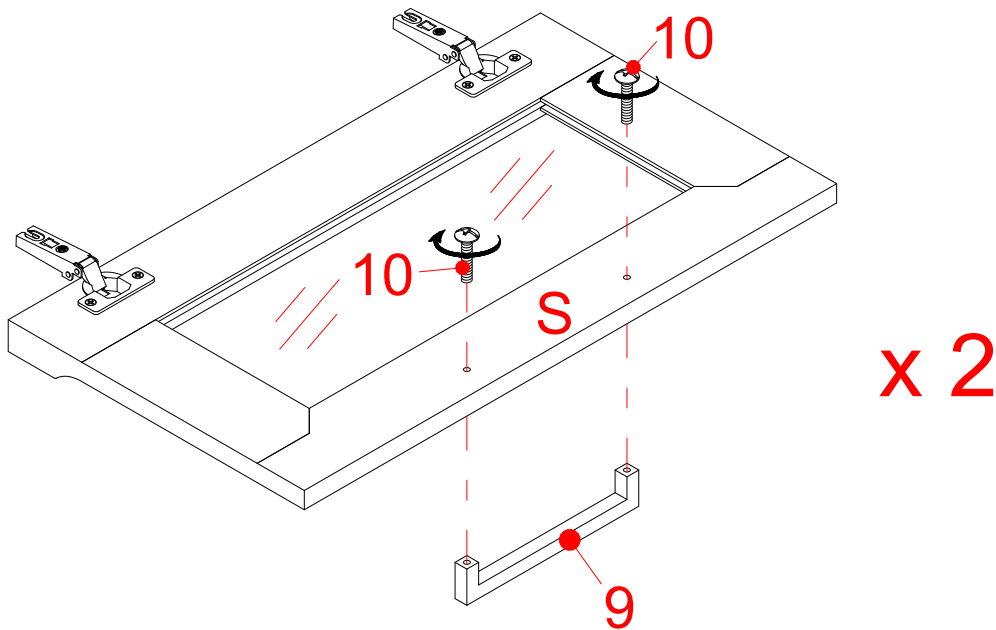
27. Using the pilot holes as a guide, attach two Metal Plates (8) at the joints where the Middle Crossbar (L) meets the Middle Stiles (M and N) with four 12 mm Flat Head Screws (4).



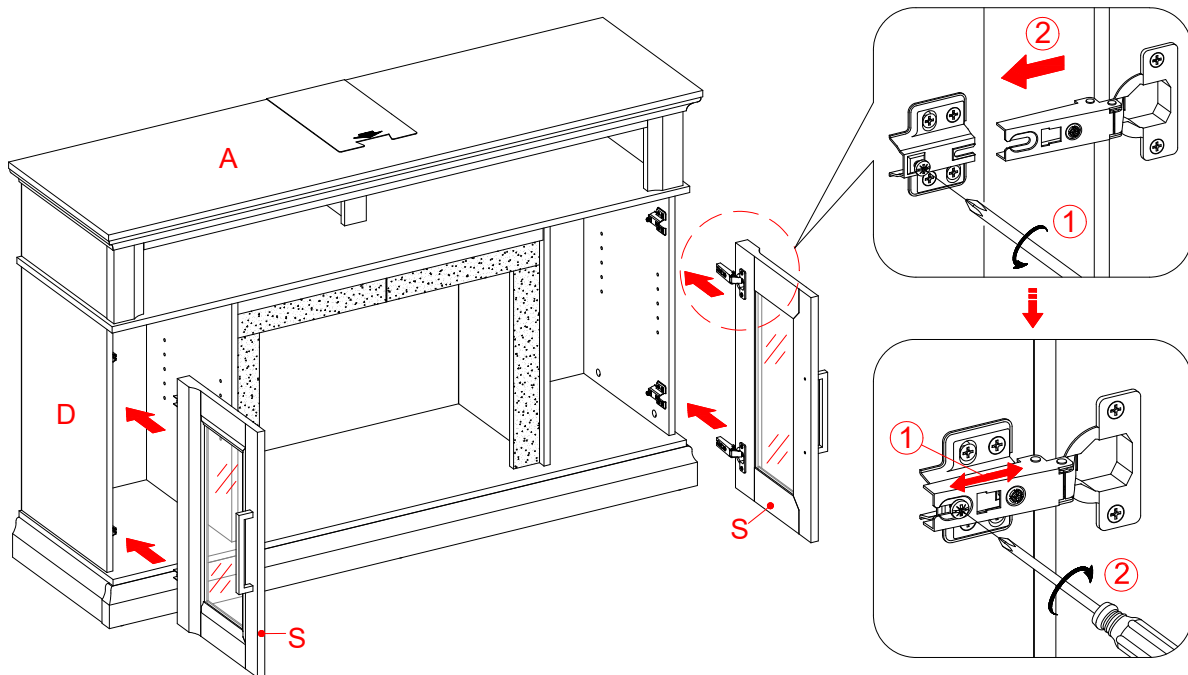
28. Pick up the Upper Back Panel (U) and align the drilled holes against the upper long edge with the pilot holes on the back stretcher of the Top Panel (A). Attach the Upper Back Panel (U) in place using the provided Washer Head Screws (5).

29. Align and attach two Lower Back Panels (V) to the mantel with the provided Washer Head Screws (5), using the pilot holes as a guide.

Assembly Instructions



30. Attach one Handle (9) to the front side of each Door (S) with the Handle Bolts (10).



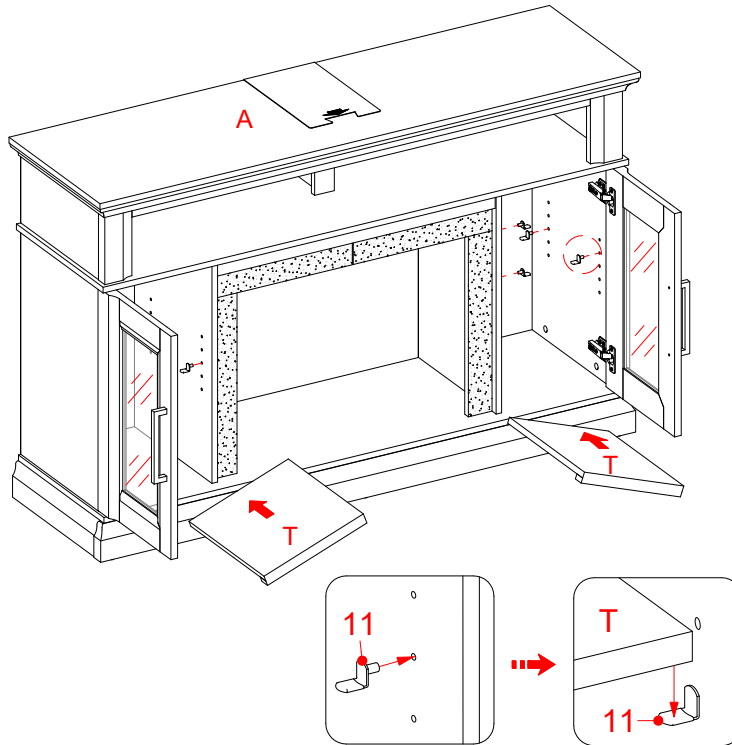
31. Stand the assembled unit upright.

32. Pick up one Door (S) and attach the extended hinge arms to the hinge bases installed on the Left Side Panel (D). Loosen the bolt on the back of the hinge base for an easy fit. Align and insert the “U” slot on the hinge arm under the bolt head on the back of the hinge base. Make sure that both door hinges engage and function properly. Tighten the bolt on the hinge base to lock the hinges in place.

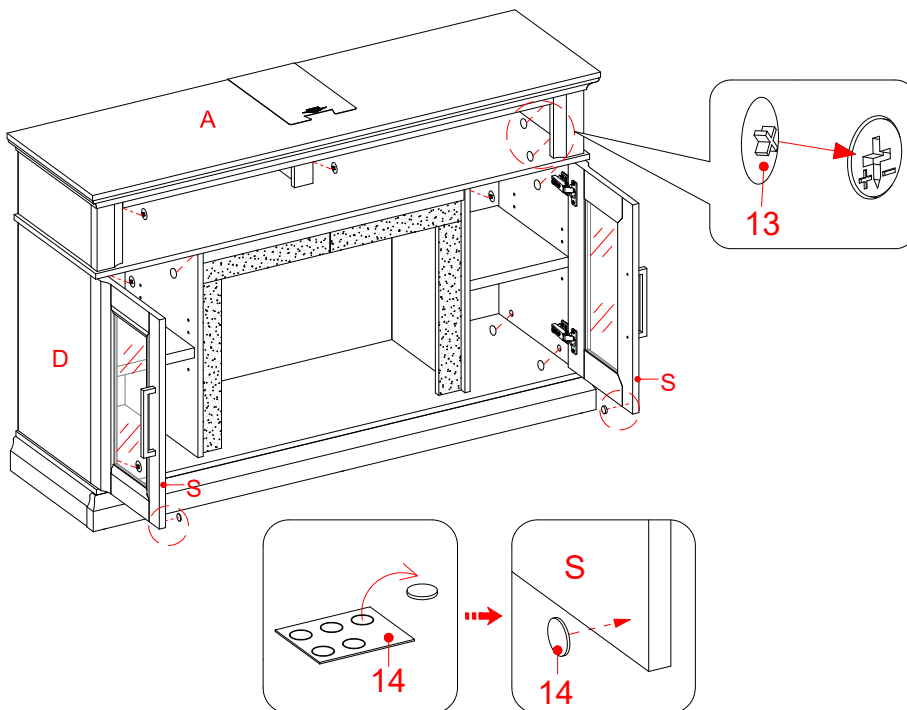
33. Repeat the same procedure to attach the other Door (D) at the opposite side.

34. Open and close the doors to make sure they are aligned and shut correctly. If necessary, adjust the screws for a good fit. Refer to the hinge sticker on the door for adjustment.

Assembly Instructions

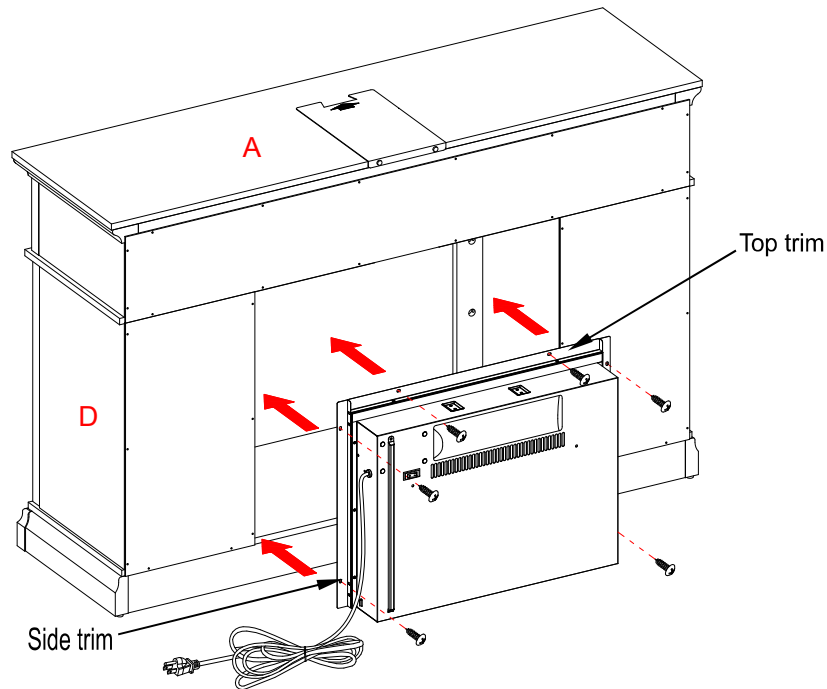


35. Open the Doors (S) and insert four Shelf Supports (11) into the desired holes inside each side compartment. Make sure you place the four shelf supports in the same level so the shelf is not tilted. Rest the adjustable Shelves (T) onto the Shelf Supports (11).

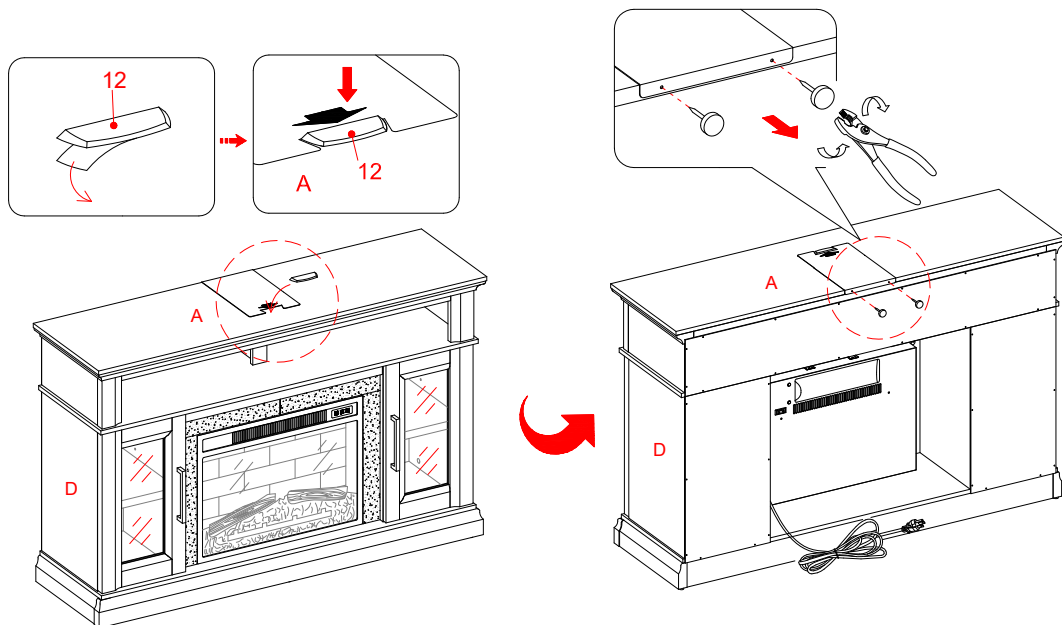


36. Stick the Rubber Bumpers (14) at the outer corners of both Doors (S) where they meet the Lower Partition Panels (E and F).
37. Plug the Cam Lock Covers (13) onto the visible cam locks to conceal the cams.

Assembly Instructions



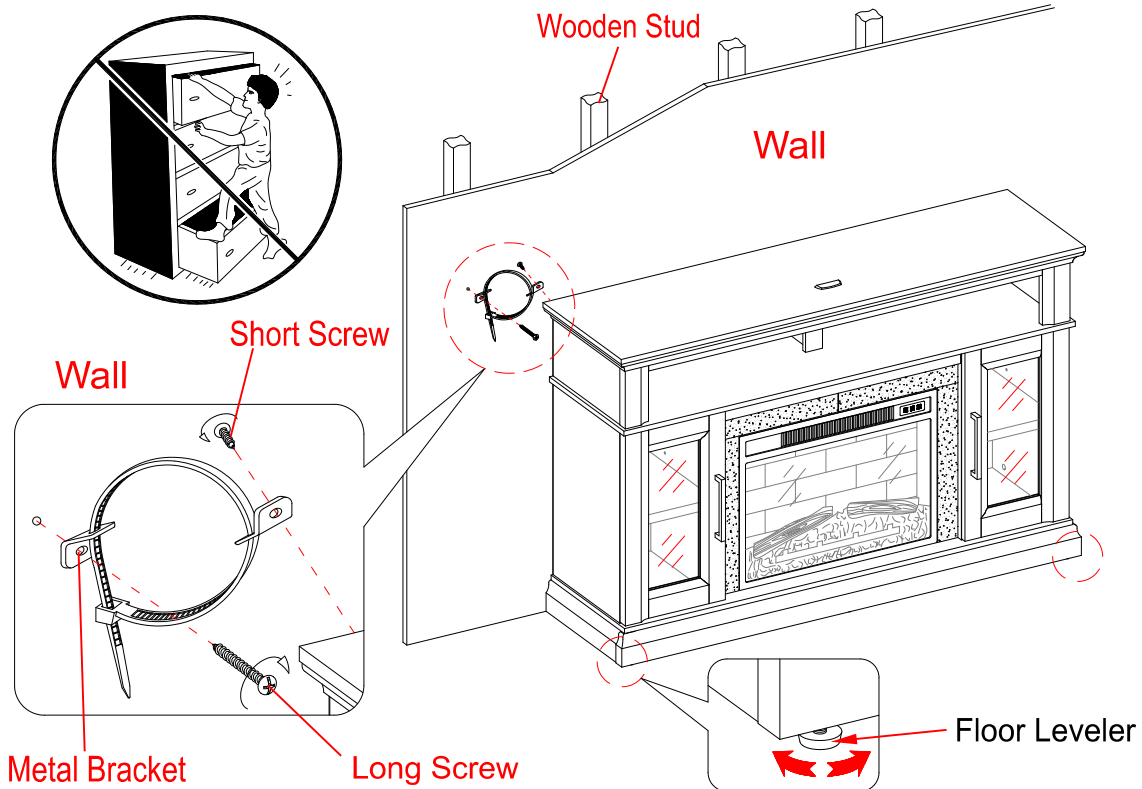
38. Unpack the fireplace insert from the inner box and follow the instructions to install the Top Trim and Side Trims to the fireplace insert.
39. Lift the fireplace insert carefully into the back of the assembled mantel and center it in the opening. DO NOT drag the insert across the Bottom Panel (C) as it may scratch the unit.
40. Fasten the fireplace insert to the mantel with six insert screws as shown.



NOTE: To prevent your TV from tipping, you must follow these instructions if you place a TV on top of your console. Otherwise, skip to “Step 42”.

41. Remove the paper backing from the Acrylic Stopper (12), then properly align the Acrylic Stopper into the cut-out on the acrylic stopper template on the Top Panel (A). Press down on the acrylic stopper to help adhesion.
42. At the back of Top Panel (A), grip the head of plastic tack with pliers, with twisting motion pull tack loose to remove the acrylic stopper template.

Assembly Instructions



Tools required: Phillips screwdriver, stud finder, power drill and 1/8" drill bit.

43. Ask for assistance to position the assembled fireplace at the desired location against a wall. If necessary, adjust the installed Floor Levelers at the bottom of the Base to level the unit. Now, follow the instructions printed on the plastic bag containing the Tipping Restraint Hardware to attach the tip-over restraints to the unit and the wall.

NOTE: The tipping restraint hardware included is for wooden stud wall construction. It must be attached to a wall stud. Depending upon your wall construction, different anchor hardware maybe required. Please contact your local hardware store for assistance. Young children can be seriously injured by tipping furniture. You must install the Tipping Restraint Hardware with the unit to prevent the unit from tipping, causing any accidents or damage. The tipping restraints are intended only as a deterrent, they are not a substitute for proper adult supervision. The tipping restraints are not earthquake restraints. If you wish to add the extra security of earthquake restraints, they must be purchased and installed separately.

44. Connect the fireplace to the power transformer. Follow the operating manual for the electric fireplace insert to control your fireplace.

⚠️ WARNING



Children have died from furniture tip-over.

To reduce the risk of furniture tip-over:

- ALWAYS install tip-over restraint provided.
- FOR use with televisions weighing 80 lbs or less. Use with heavier televisions may result in instability causing tip-over resulting in death or serious injury.
- NEVER allow children to stand, climb or hang on drawers, doors, or shelves.
- NEVER open more than one drawer at a time.
- Place heaviest items in the lowest drawers.

Use of tip-over restraints may only reduce, but not eliminate, the risk of tip-over.

Care and Maintenance

- Use a soft, clean cloth that will not scratch the surface when dusting.
- Use of furniture polishes is not necessary. Should you choose to use polishes, test first in an inconspicuous area.
- Using solvents of any kind on your furniture may damage the finish.
- Never use water to clean your furniture as it may cause damage to the finish.
- Always use coasters under beverage glasses and flowerpots.
- Liquid spills should be removed immediately. Using a soft, clean cloth, blot the spill gently. Avoid rubbing.
- Always use protective pads under hot dishes and plates. Heat can cause chemical changes that may create spotting within the furniture finish.
- In the event that your furniture is stained or otherwise damaged during use, we recommend that you call a professional to repair your furniture.
- Check bolts/screws periodically and tighten them if necessary.

Further Advice about Wood Furniture Care

It is best to keep your furniture in a climate-controlled environment. Extreme temperature and humidity changes can cause fading, warping, shrinking and splitting of wood. It is advised to keep furniture away from direct sunlight as sun may damage the finish.

Proper care and cleaning at home will extend the life of your purchase. Following these important and helpful tips will enhance your furniture as it ages.

Cleaning Trim for Fireplace

Clean the metal trim using a soft cloth, slightly dampened with citrus oil based product and buff with a clean soft cloth. DO NOT use brass polish or household cleaners as these products will damage the metal trim. Citrus oil based products can be obtained at supermarkets or hardware stores.

A touch-up pen has been provided to minimize the small nicks or scratches that may occur during assembly or shipping.

We hope you enjoy your purchase for many years.
Thank you for your purchase!

QUALITY GUARANTEE

We are confident that you will be delighted with your Whalen Furniture purchase.

Should this product be defective in workmanship or materials or fail under normal use, we will repair or replace it for up to one (1) year from date of purchase. Every Whalen Furniture product is designed to meet your highest expectations. We guarantee that you will immediately see the value of our fine furniture.

This warranty gives you specific legal rights and you may also have other rights which vary from State to State.

Whalen Furniture Manufacturing
1578 Air Wing Road, San Diego, CA 92154, USA
Customer Service: 1-866-942-5362
8:30 a.m. - 4:30 p.m., PST, Monday to Friday
www.whalenfurniture.com