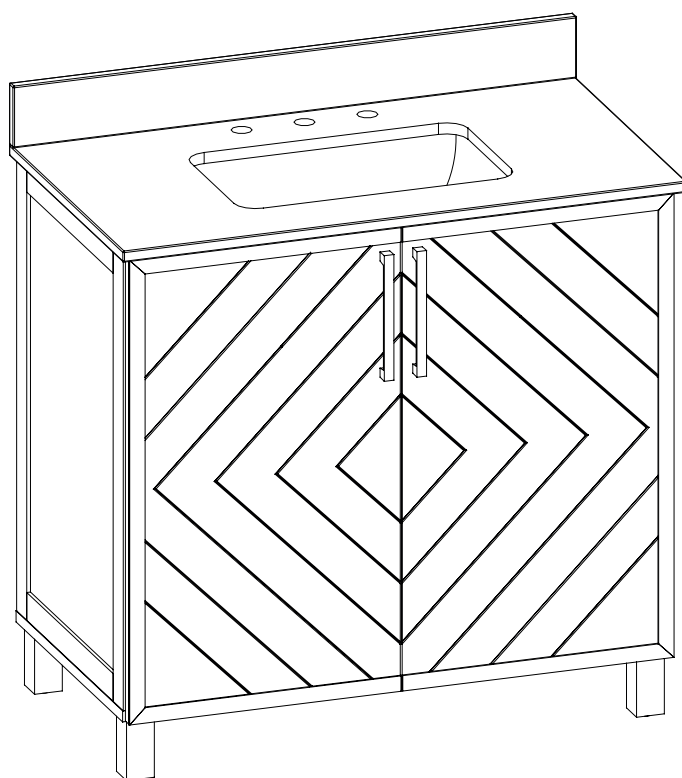


# CANVAS<sup>TM/MC</sup>

## BAYFIELD 36" (91.4 CM) BATHROOM VANITY

---

PRODUCT NO. 063-6382-4-NAVY



### ASSEMBLY INSTRUCTIONS



**HAVING TROUBLE?**

**TOLL-FREE:**

**1-888-670-6684**

**IMPORTANT:** Please read this manual carefully before beginning assembly of this product. Keep this manual for future reference.

# CANVAS™

INSPIRED BY CANADA



To the trend seekers and design mavens, **CANVAS™** is the furniture and décor brand that helps you imagine and create a space you can be proud of.

That's because **CANVAS™** offers style with ease with products that are **made for real life and Canadian inspired.**

We would love to hear from you and welcome your thoughtful feedback. Visit our website at **canadiantire.ca** to tell us about your experience, and share your photos with us using **#myCANVASstyle.**

Show us how you bring **CANVAS™** products to life. We can't wait to see!

## TABLE OF CONTENTS

Parts List .....	4
Before You Begin Assembly .....	8
Step-by-step Guide .....	10
Technical Data .....	21
Troubleshooting .....	22
Caring for Your Item .....	22
Warranty .....	23



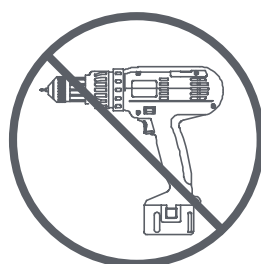
**WARNING! TO REDUCE THE RISK OF SERIOUS INJURY, READ THE FOLLOWING SAFETY INSTRUCTIONS BEFORE ASSEMBLING AND USING THE PRODUCT.**

- Please read and understand this entire manual before attempting to assemble, operate, or install the product.
- Any assembly or maintenance of the product must be carried out by adults only.
- Some parts may contain sharp edges. Wear protective gloves if necessary.
- To prevent damage, place all parts on a level surface during assembly. Add a layer of protective surface if needed.
- Do not allow your children to climb or jump on furniture due to possible accident, injury or death. A child climbing on a piece of furniture can make it top-heavy and cause the furniture to tip over.
- Keep children and pets away during assembly.
- This unit is intended for use only within the maximum weight indicated. Use with loads heavier than the maximum weight indicated may result in instability causing possible injury.
- Failure to follow these warnings could result in serious injury.

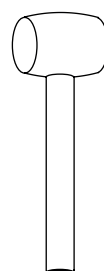
## TOOLS REQUIRED



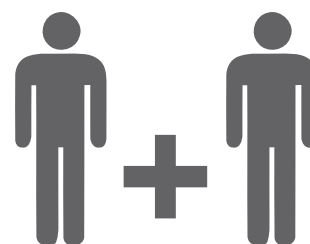
No. 2 Cross-head Screwdriver  
Tip Shown Actual Size



**NOTE:** Do not over-drill/  
be aware of over-drilling

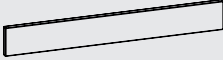
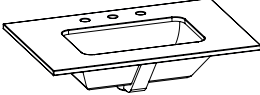
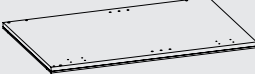

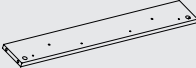


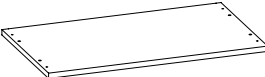
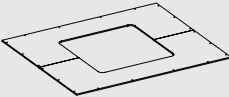
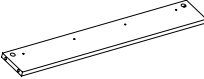

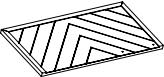
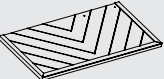


Rubber  
Mallet

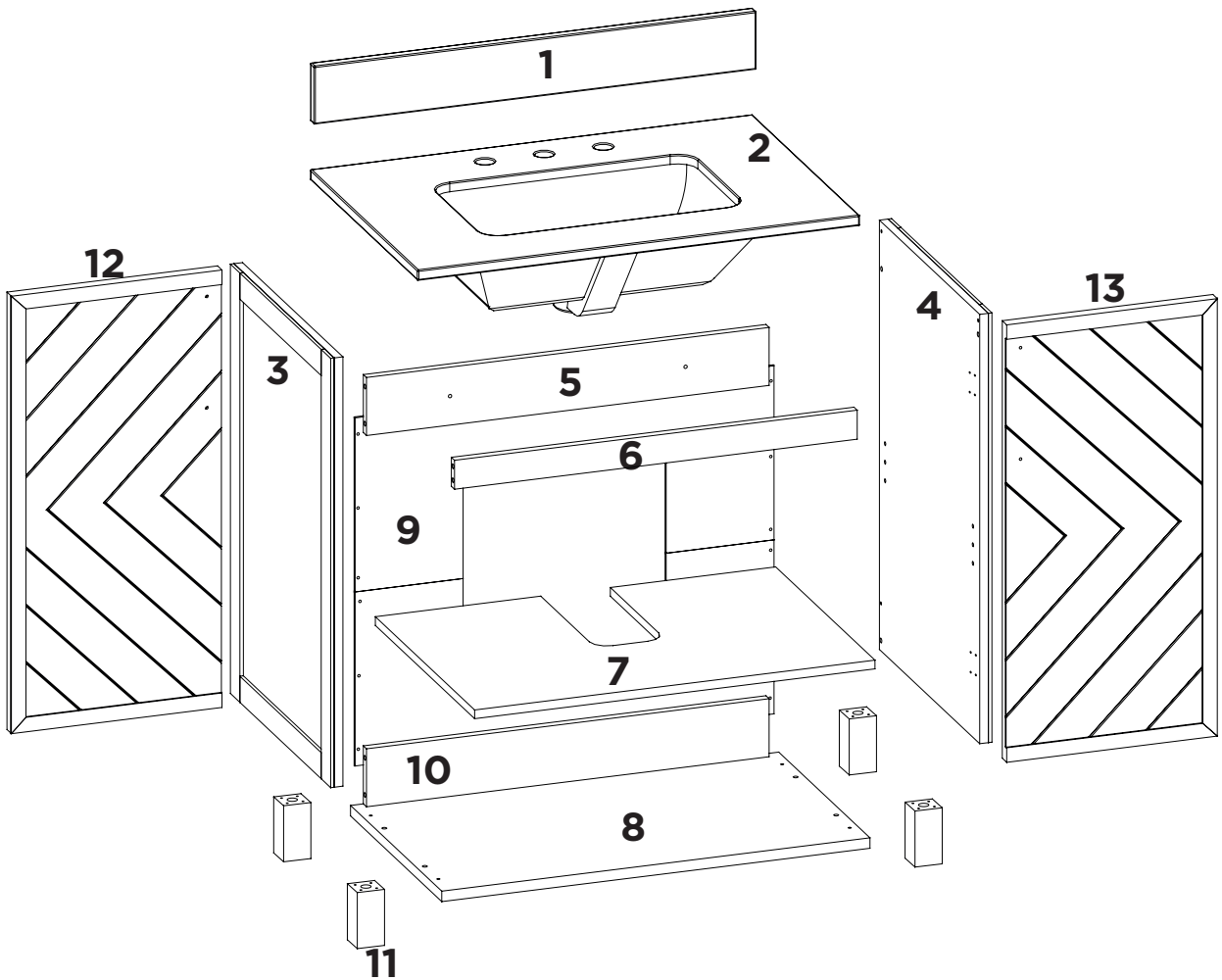


2 People


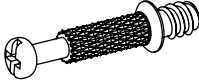
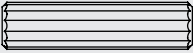

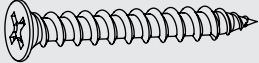

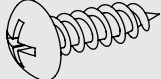
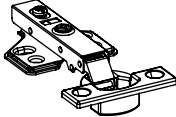

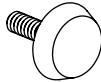
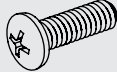
## PARTS LIST

ITEM	DESCRIPTION	THUMBNAIL	QUANTITY
1	Backsplash		1
2	Vanity Top		1
3	Side Panel Left		1
4	Side Panel Right		1
5	Upper Back Stretcher		1
6	Upper Front Stretcher		1
7	Adjustable Shelf		1
8	Bottom Panel		1
9	Back Panel		1
10	Lower Back Stretcher		1
11	Leg		4
12	Left Door		1
13	Right Door		1

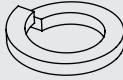
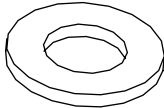
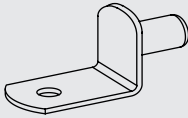
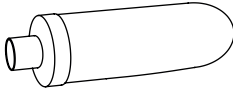
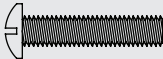
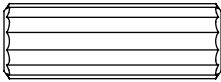


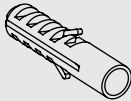
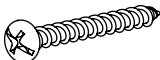
# EXPLODED VIEW



## HARDWARE LIST

ITEM	DESCRIPTION	THUMBNAIL	QUANTITY
A	Cam Lock		6
B	Cam Bolt		6
C	Wood Dowel		10
D	Handle		2
E	M4 x 32 mm Screw		4
F	M4 x 15 mm Screw		24
G	M4 x 16 mm Screw		20
H	Slow Close Hinge		4
I	M3.5 x 12 mm Screw		4
J	Leveller		4
K	Bolt		8

## HARDWARE LIST

ITEM	DESCRIPTION	THUMBNAIL	QUANTITY
L	Lock Washer		8
M	Flat Washer		8
N	Shelf Pin		4
O	Glue		1
P	5/32" x 25 mm Bolt		4
Q	Bigger Wood Dowel		4
R	M4 x 25 mm Screw		16
S	Metal Plate		4
T	Plastic anchor		2
U	M4 x 50 mm Screw		2

## BEFORE YOU BEGIN ASSEMBLY

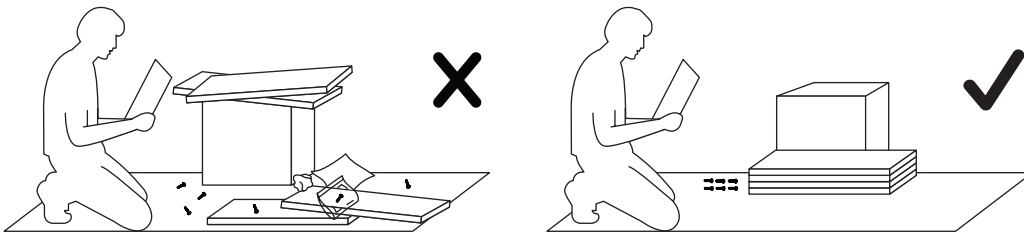
### MAKE SURE ALL PARTS ARE PRESENT

Compare all pieces to the parts and hardware lists, and make sure you have all tools required for assembly.



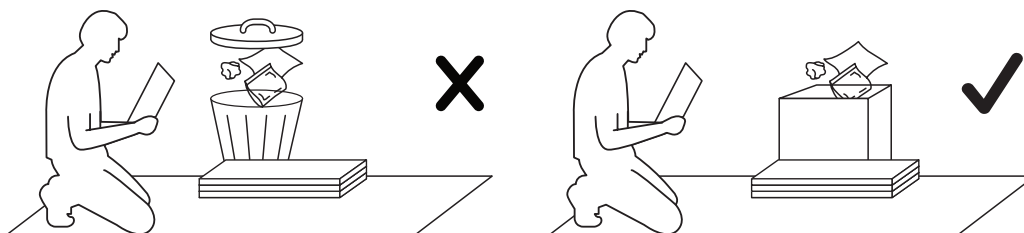
### ASSEMBLE IN A CLEARED AREA

Place all parts from the box on the floor in front of you on a clean, dry, level surface to protect the product as it is being built.



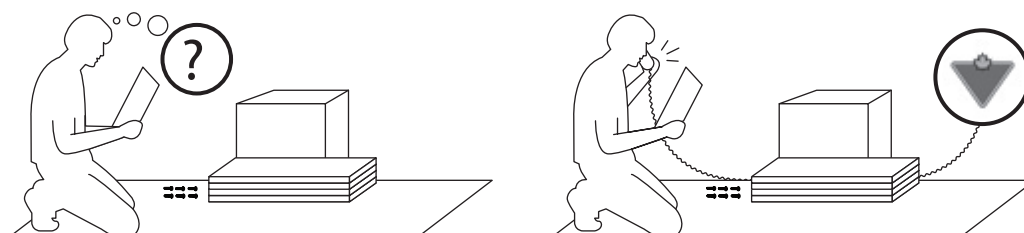
### REMOVE PACKAGING MATERIALS

Place packing materials back in the box. Do not dispose of packaging materials until assembly is complete.



### READ EACH STEP CAREFULLY

Make sure you understand each step. If you have any questions, contact CANVAS™ customer service at 1-888-670-6684 (toll free).

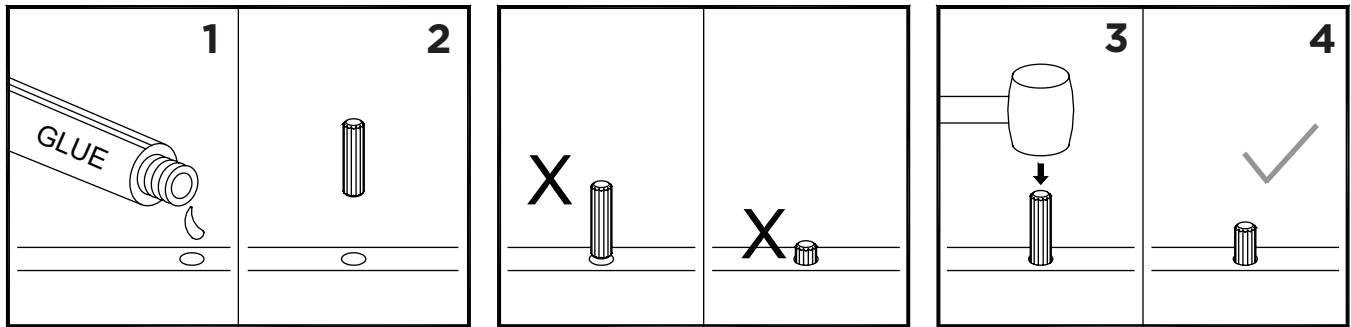




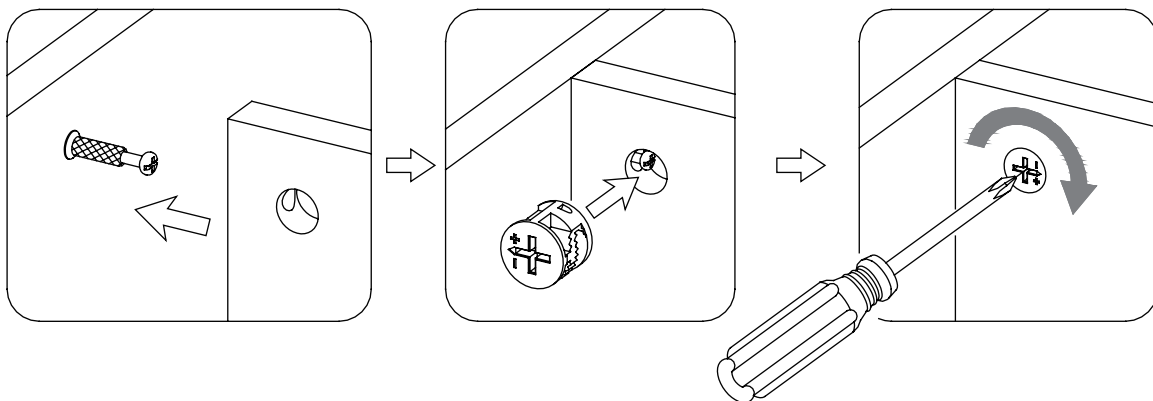
## BEFORE YOU BEGIN ASSEMBLY

**NOTE:** IT IS VERY IMPORTANT TO USE GLUE WITH DOWELS. EXCESS GLUE CAN BE WIPED OFF WITH DAMP CLOTH.

Insert dowel at least half way by tapping lightly with a rubber mallet IF NECESSARY. Take caution not to strike mallet at an angle—this can cause the dowel to snap or break.



## CAM LOCK SYSTEM OPERATION

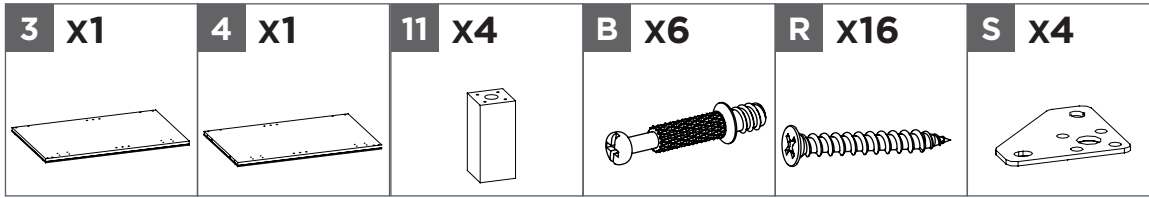


1. Screw cam bolt into the pre-drilled small holes on panel. Align the panels to be joined so that the cam bolt goes into the pre-drilled hole on the edge of the second panel and protrudes into the hole that will house the cam lock.
2. Insert the cam lock into pre-drilled large hole on panel. Make sure arrow on the cam lock is pointed toward the cam bolt.
3. Once the cam bolt is connected inside cam lock, take a cross-head screwdriver and tighten the cam lock by turning clockwise.

You are now ready to assemble the product.

## STEP-BY-STEP GUIDE

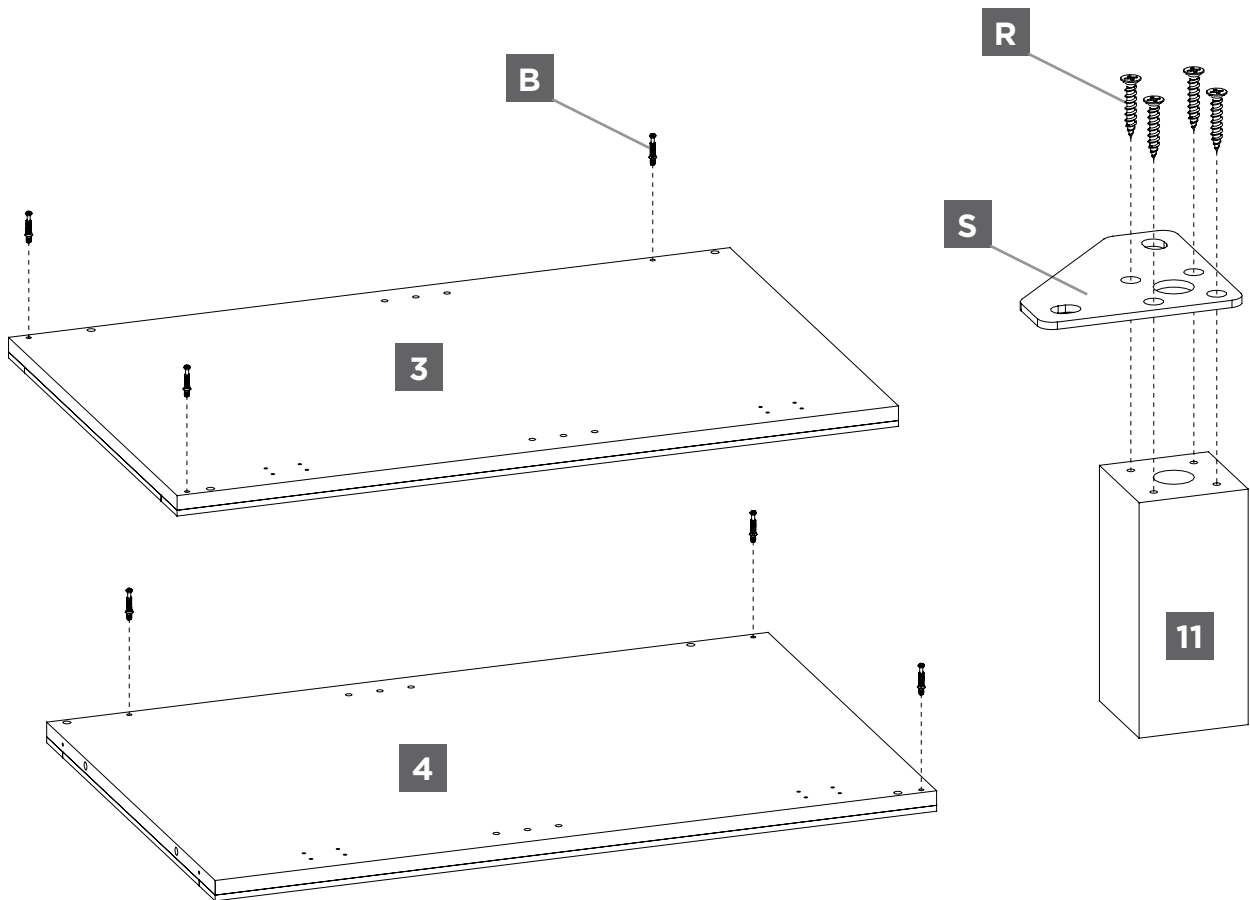
### STEP 1



Install cam bolts **B** into side panel left **3** and side panel right **4**.

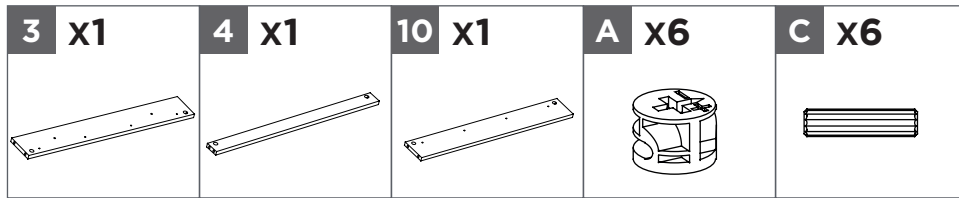
Attach metal plate **S** to leg **11**, tighten with M4 x 25 mm screws **R**.

**Note:** Make sure cam bolts **B** and screws **R** are completely seated.

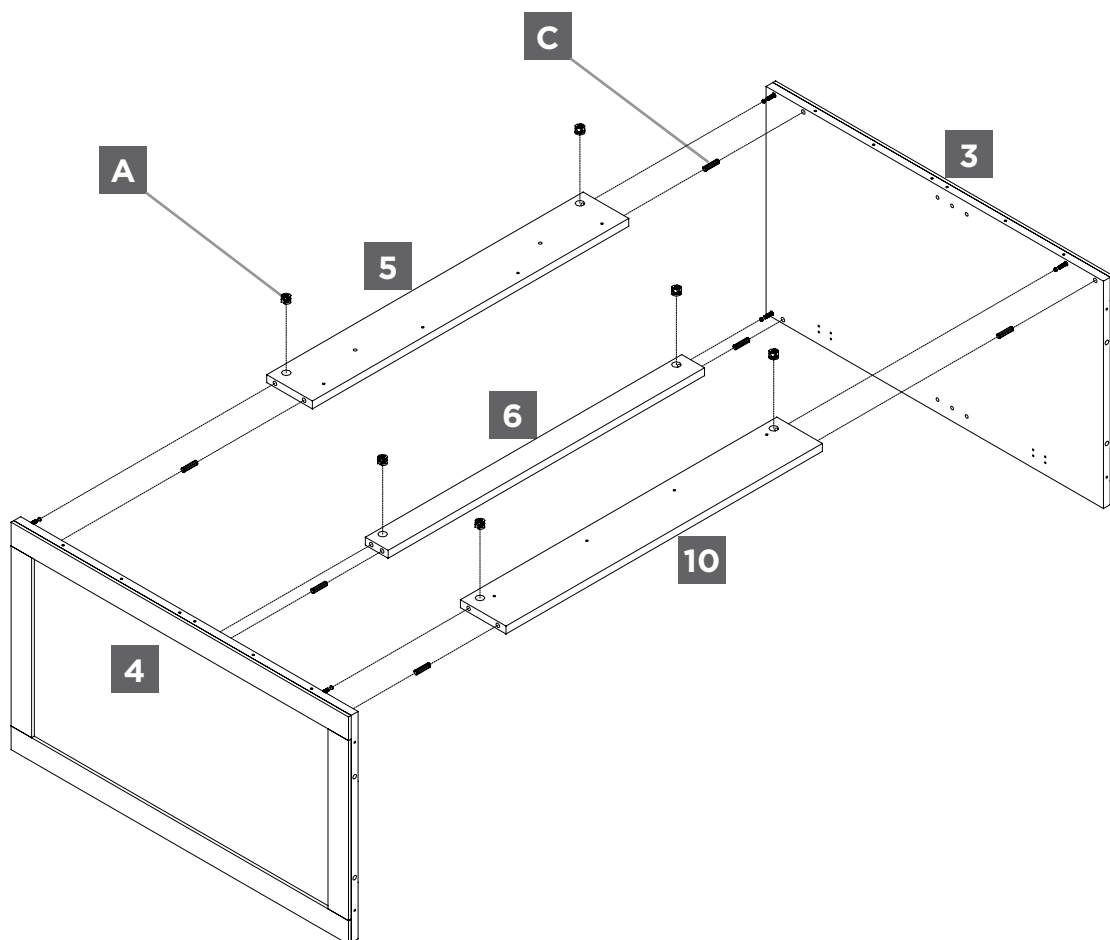


## STEP-BY-STEP GUIDE

### STEP 2

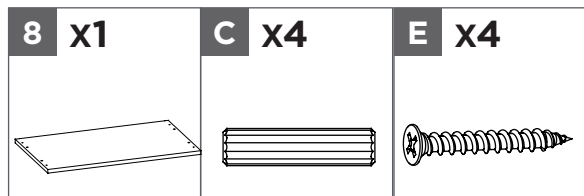


Attach side panel left **3** and side panel right **4** to upper back stretcher **5**, upper front stretcher **6** and lower back stretcher **10**, using wood dowels **C**, and cam locks **A**. Tighten cam locks **A**.

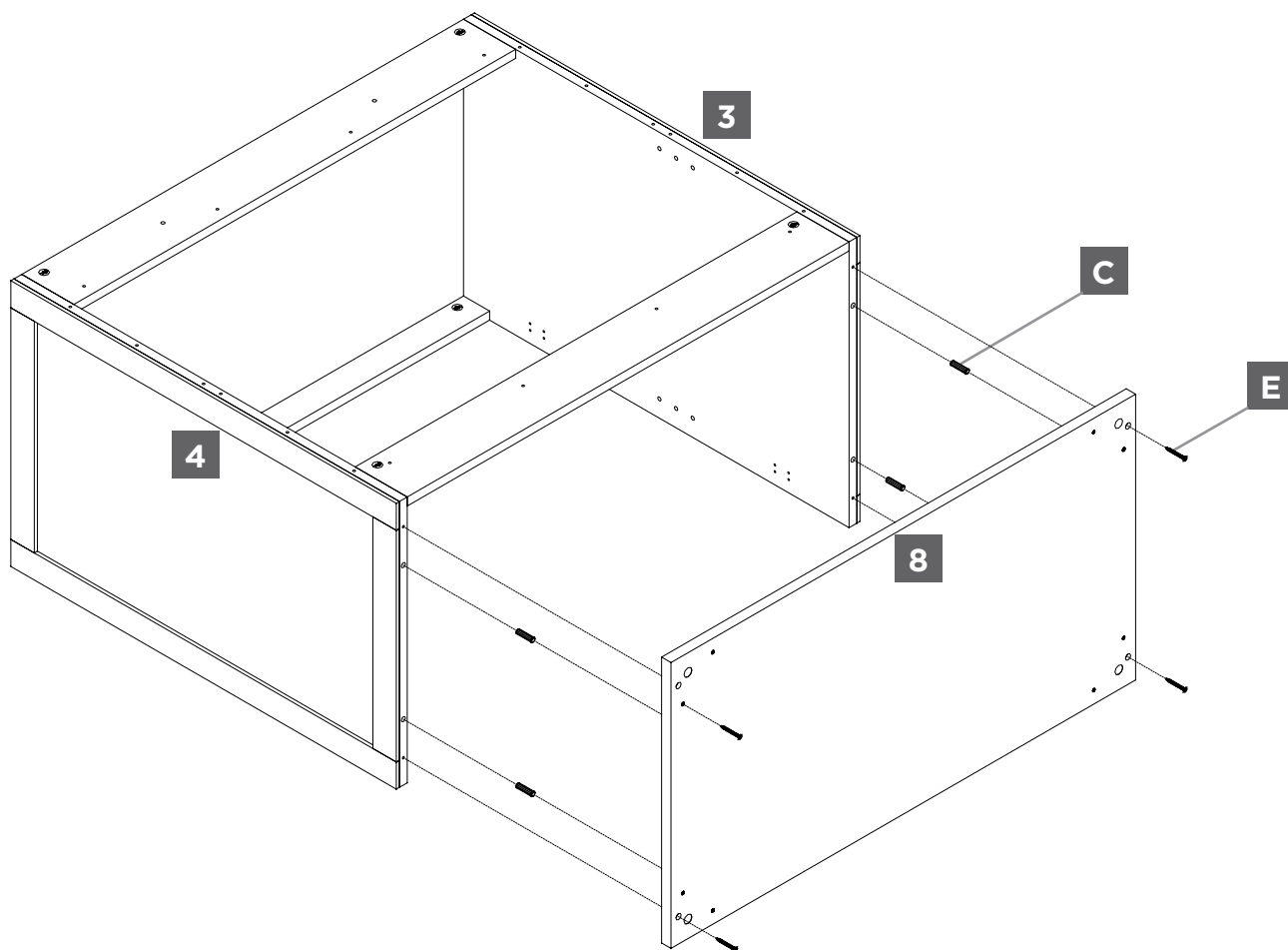


## STEP-BY-STEP GUIDE

### STEP 3

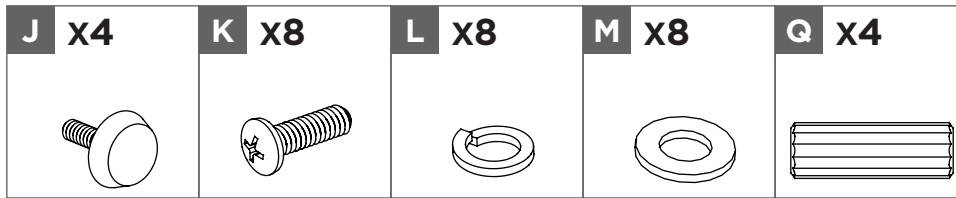


Attach bottom panel **8** to side panel left **3** and side panel right **4** using cam locks **A** and wood dowels **C**, and tighten with M4 x 32 mm screws **E**.



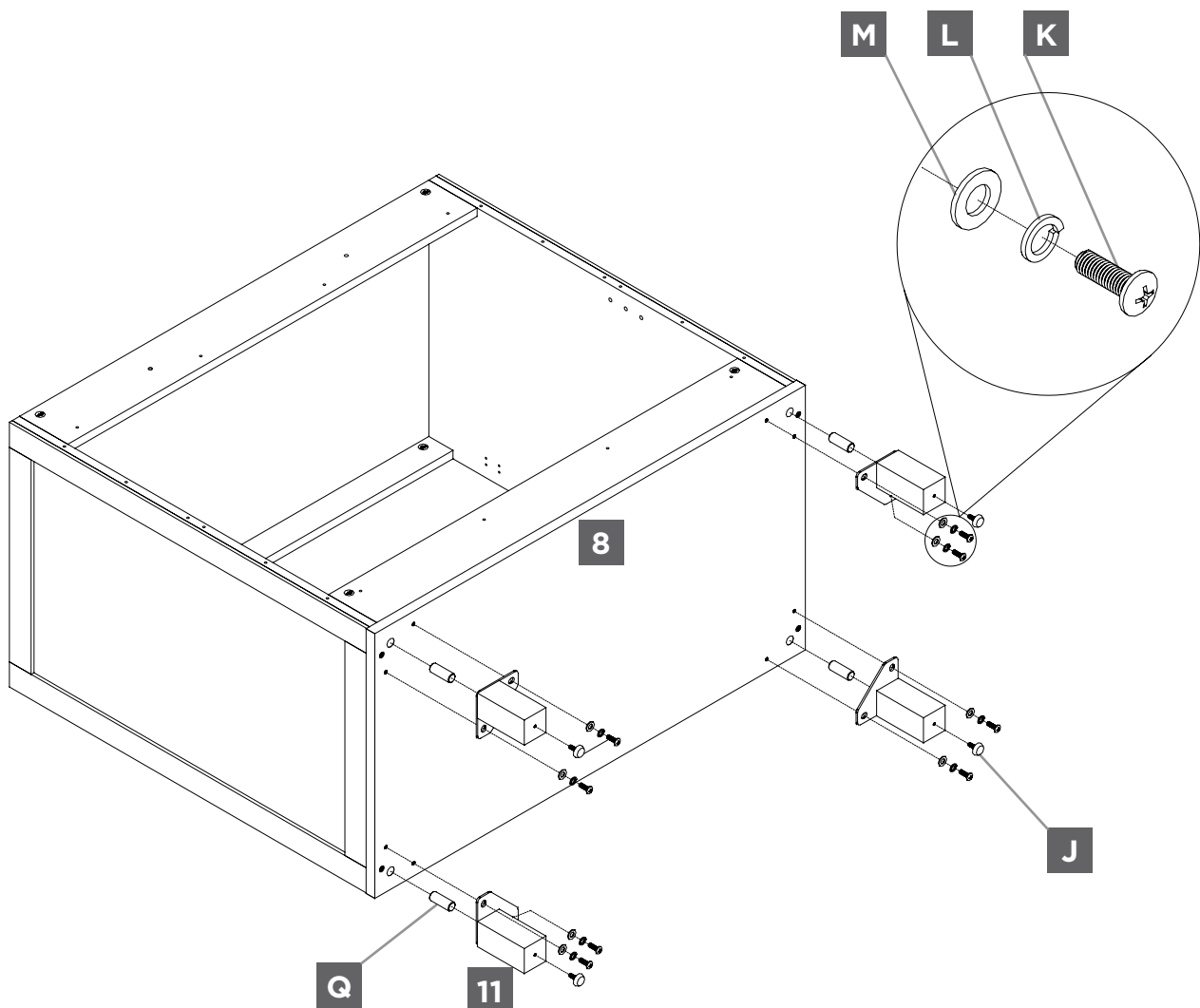
## STEP-BY-STEP GUIDE

### STEP 4



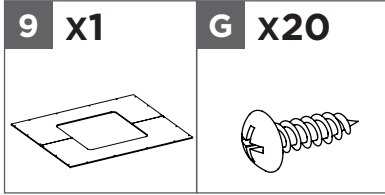
Insert bigger wood dowel **Q** to pre-drilled hole on bottom panel **8**, attach assembled leg **11** with metal plate **S** to the bottom panel **8**, using flat washer **M**, lock washer **L** and bolt **K**, tighten with cross-head screwdriver.

Assemble leveller **J** to bottom of leg **11**.

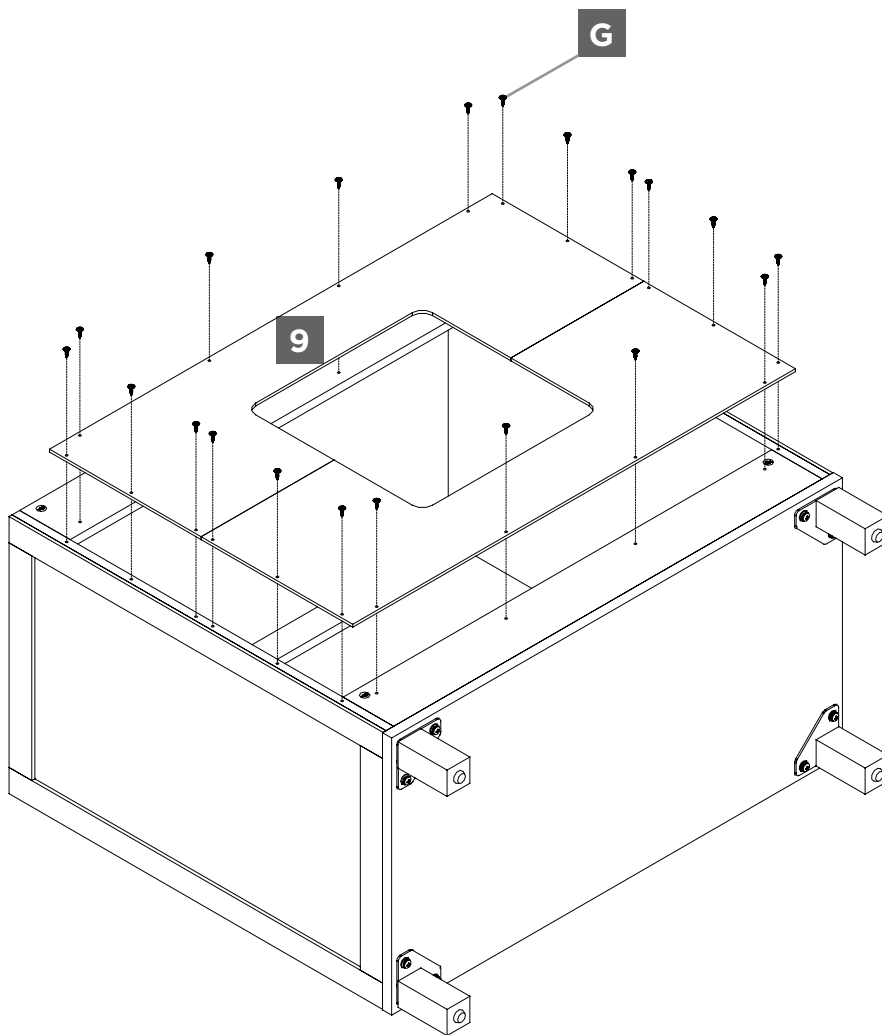


## STEP-BY-STEP GUIDE

### STEP 5

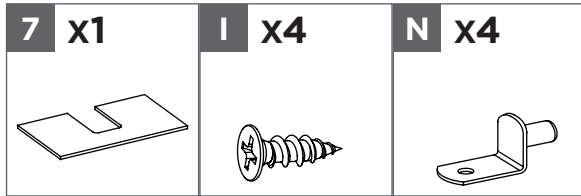


Attach back panel **9** to the back of the vanity, using M4x16 mm screws **G**. Tighten screws **G**.



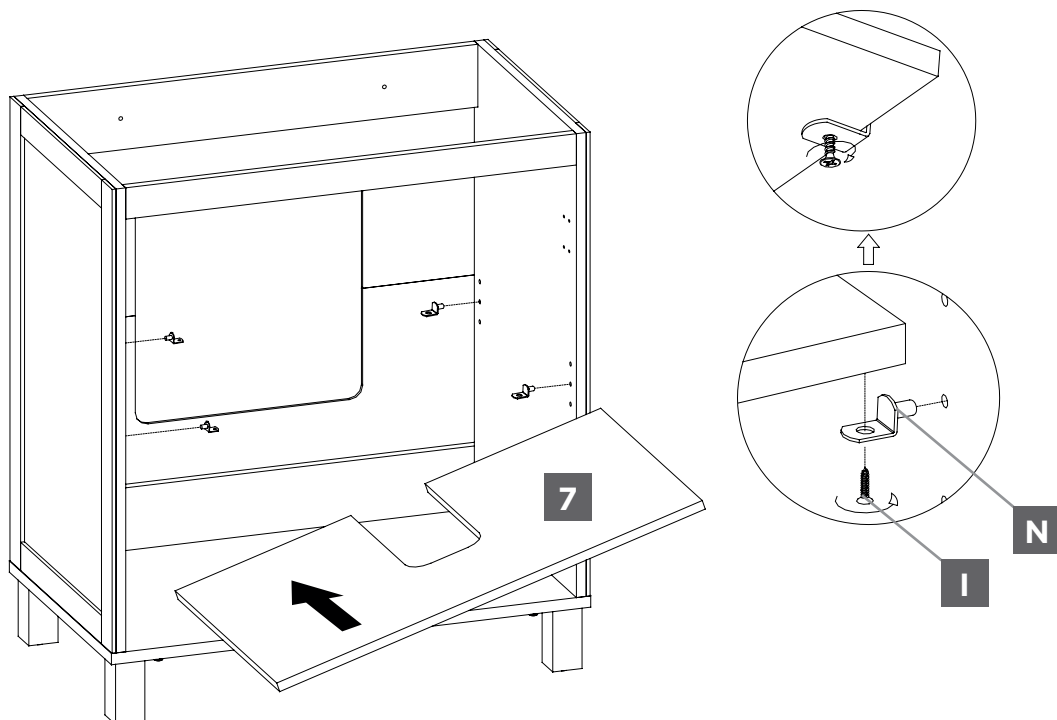
## STEP-BY-STEP GUIDE

### STEP 6



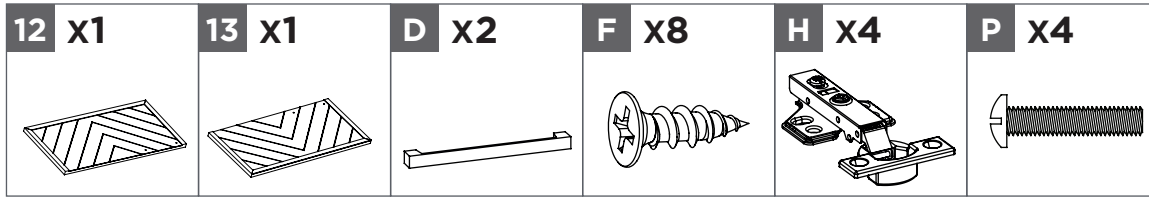
Insert shelf supports **N** into corresponding holes in the sides of the vanity assembly. Make sure you place the shelf supports at the same level so the shelf is not tilted.

Tilt and rest adjustable shelf **7** onto shelf supports **N**. Secure using M3.5x12mm screws **I**.



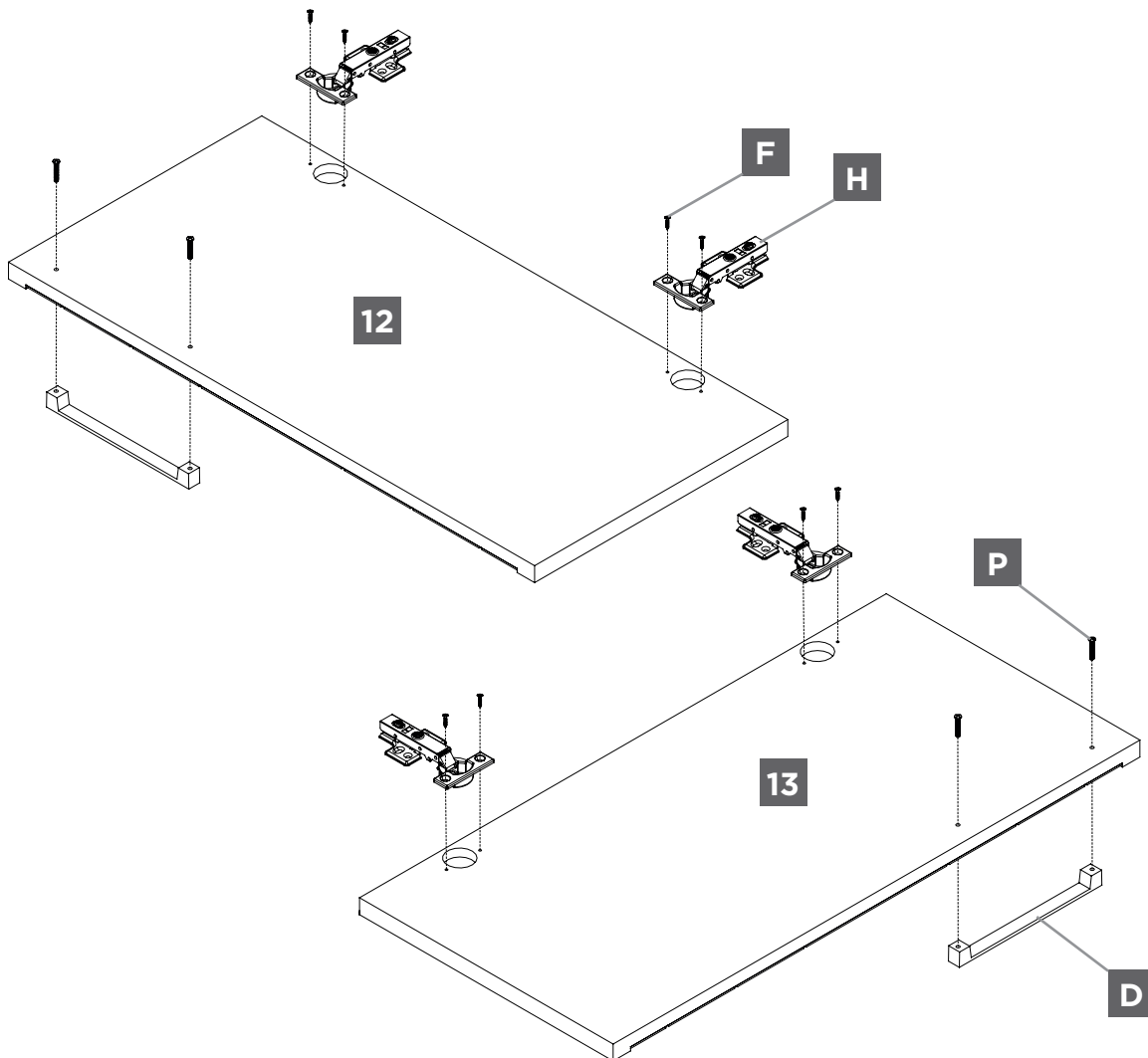
## STEP-BY-STEP GUIDE

### STEP 7



Attach slow close hinges **H** to left door **12** and right door **13** with M4 x 15 mm screws **F**.

Attach handle **D** to left door **12** and right door **13** with 5/32" x 25 mm bolts **P**.

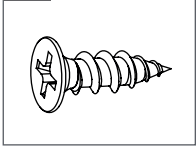




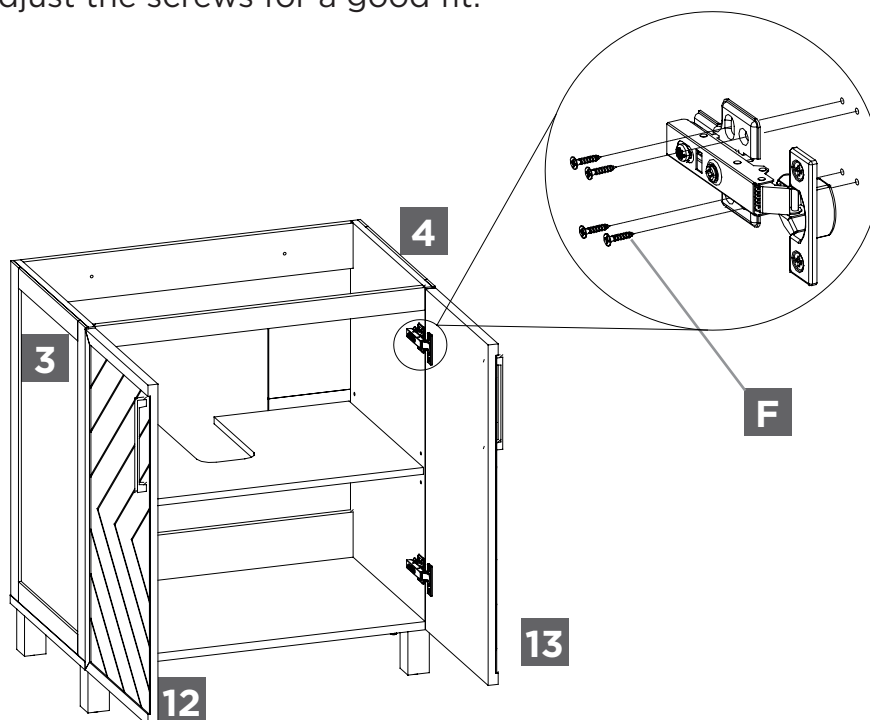
## STEP-BY-STEP GUIDE

### STEP 8

**F** x16

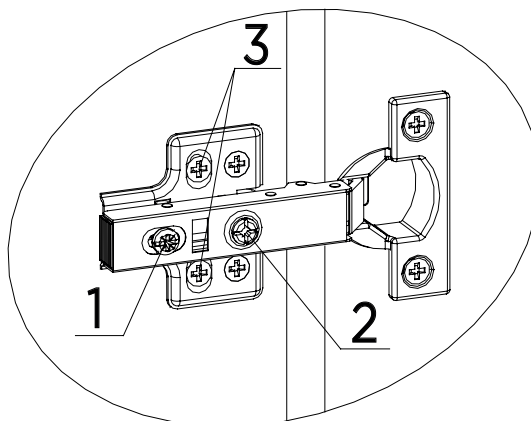


Align the left door **12** hinges **H** to the pilot holes in side panel left **3**, and align right door **13** hinges **H** to the pilot holes in side panel right **4**. Attach with M4 x 15 mm screws **F**. Open and close the doors to make sure they are aligned and shut correctly. If necessary adjust the screws for a good fit.



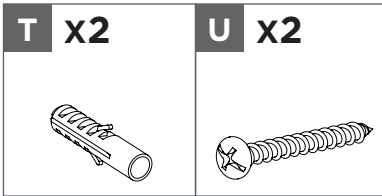
Three-way adjustable hinge for perfectly aligned doors.

1. To adjust the door forward or backward.
2. To adjust the door to right or left.
3. To adjust the door up or down.



## STEP-BY-STEP GUIDE

### STEP 9

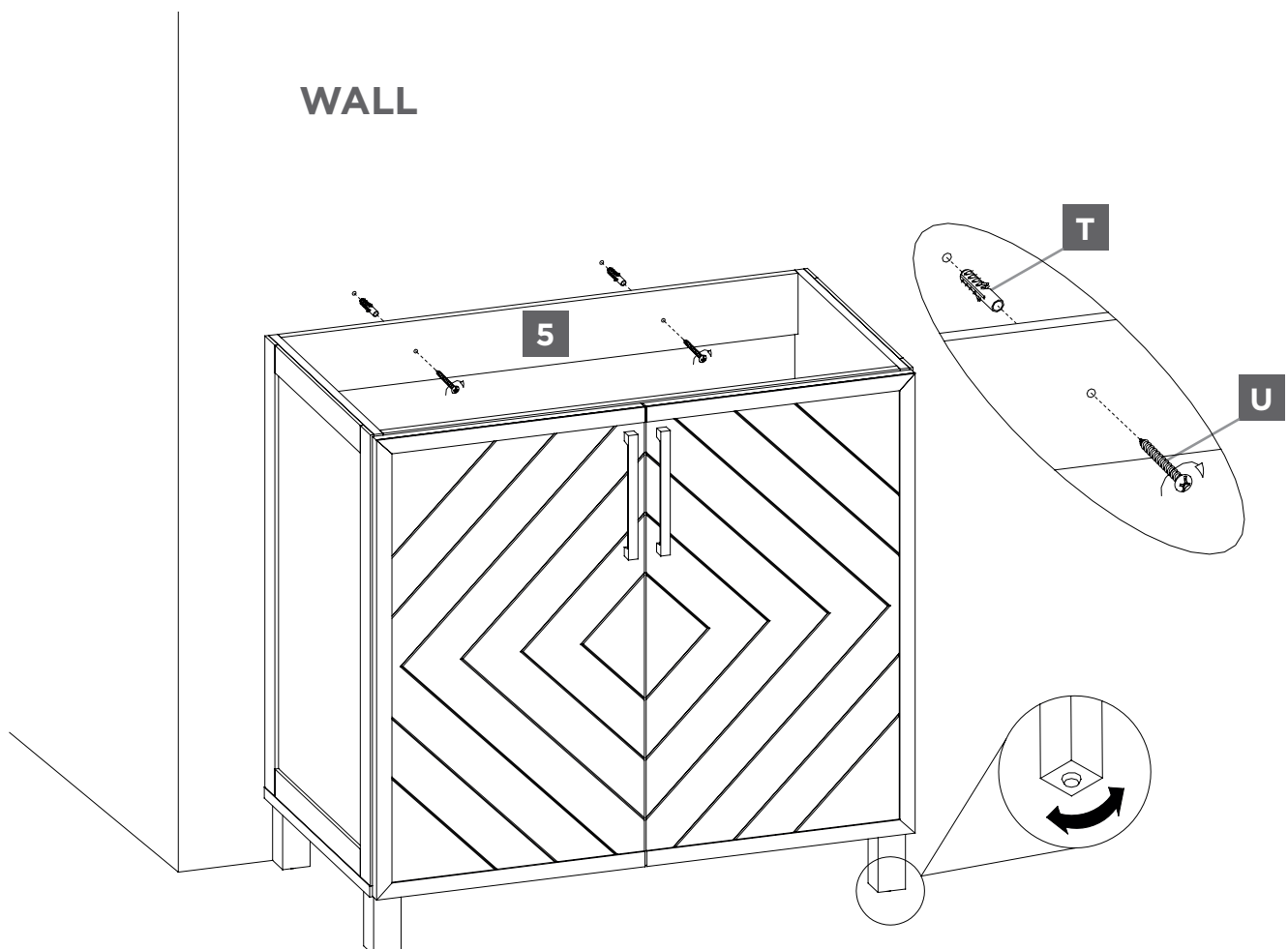


Determine where vanity is to be placed and mark location on the wall for the mounting.

Drill a 3/8" hole in the wall. Press the plastic anchor **T** into the hole and gently tap until the flange of the anchor is against the wall surface.

Attach Vanity to the wall using M4x50 mm screws **U**.

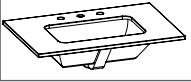
In case of uneven floors, floor levellers are provided at the bottom of the vanity. If necessary, adjust floor levellers by hand to correct tilting and/or level doors.



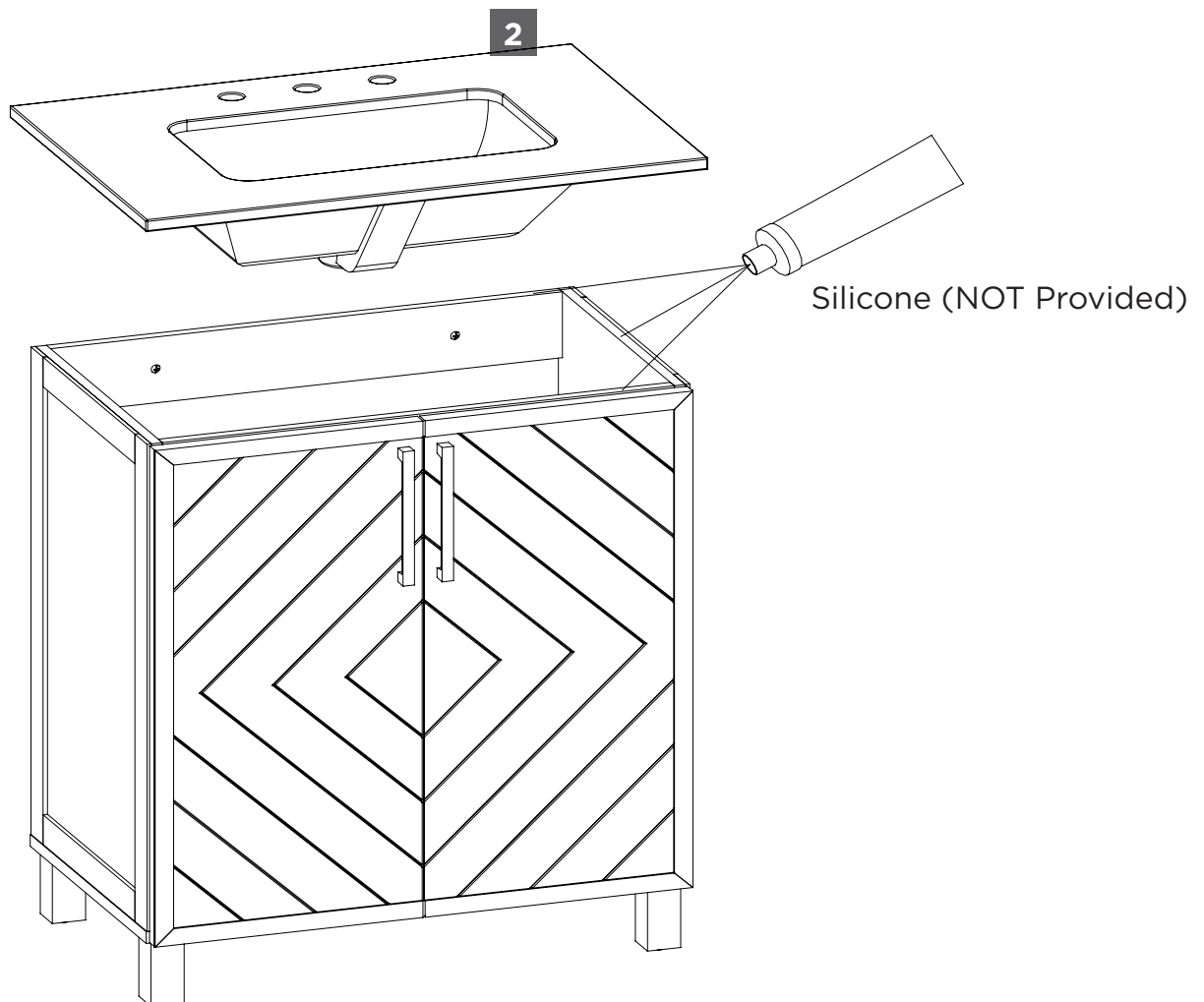
## STEP-BY-STEP GUIDE

### STEP 10

2 x1

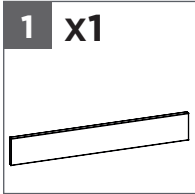


Apply silicone around the top edge of vanity assembly to secure the vanity top **2**.

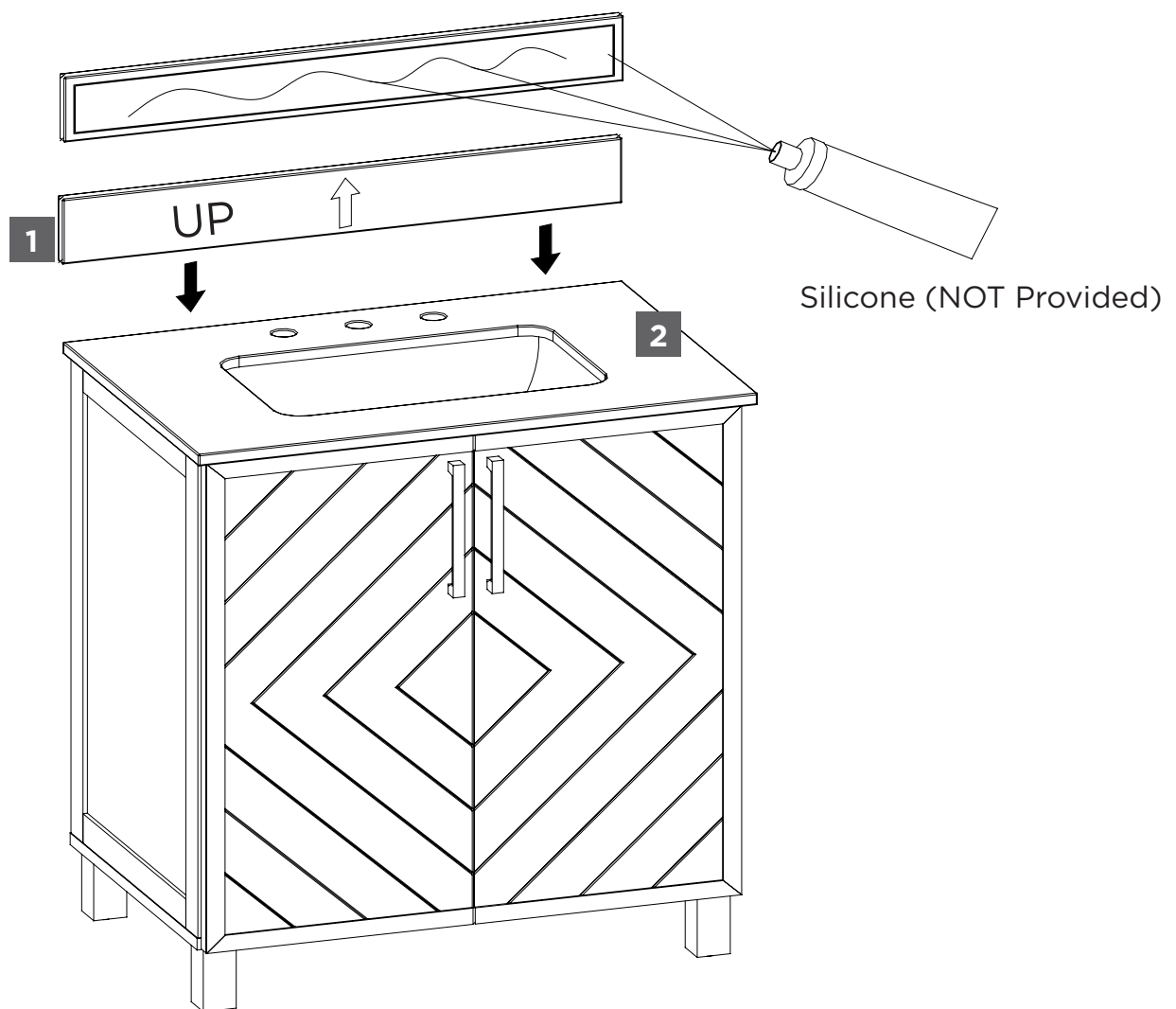


## STEP-BY-STEP GUIDE

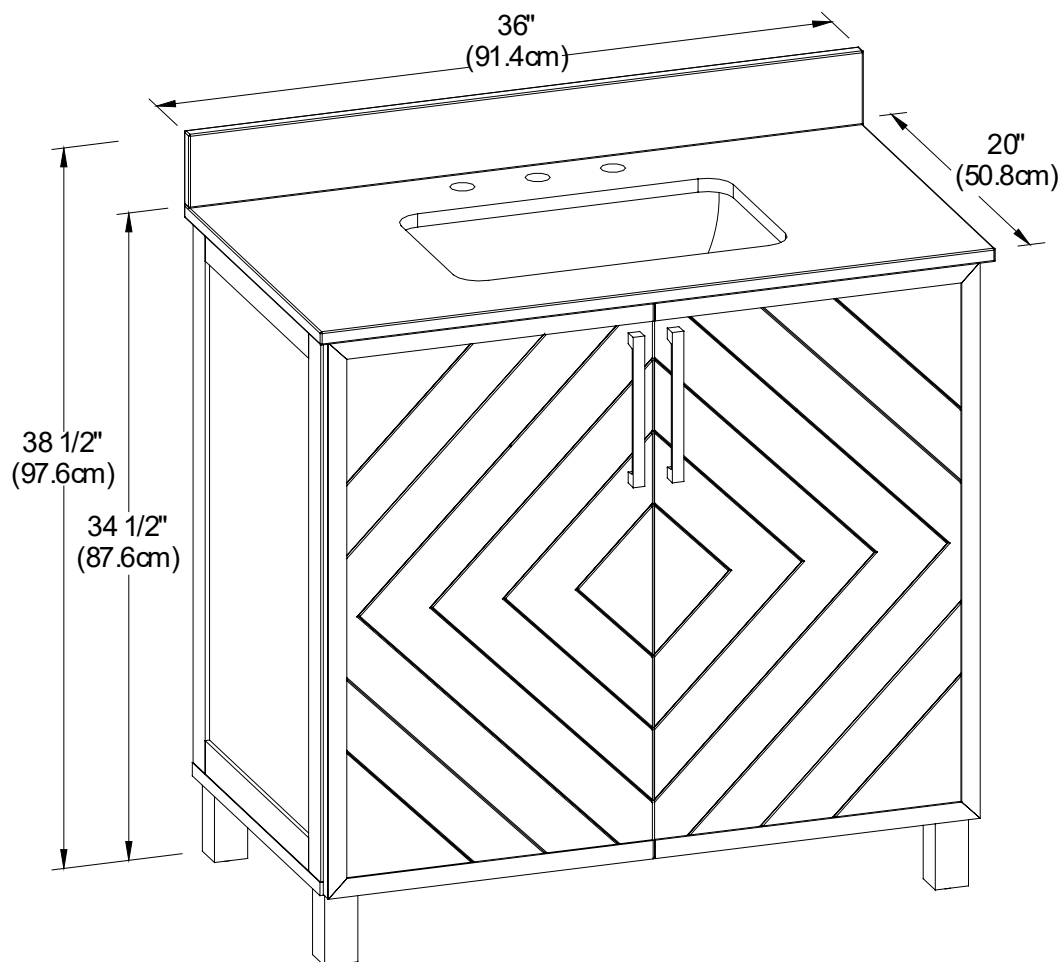
### STEP 11



To mount the backsplash **1** to the wall, apply a thin bead of silicone compound (not included) to the unpolished back side and bottom of the backsplash **1**. Position backsplash **1** as shown onto vanity top **2** and against the wall. Clean any excess silicone compound before allowing to dry.



## TECHNICAL DATA



### SPECIFICATIONS

**ASSEMBLED DIMENSIONS (W x D x H)**

36 x 20 x 34 1/2 "

91.4 x 50.8 x 87.6 cm

**ASSEMBLED WEIGHT**

lb oz

kg

**MAXIMUM WEIGHT CAPACITY**

lb

kg

## ASSEMBLY TROUBLESHOOTING



**BEFORE RETURNING  
YOUR PRODUCT**

**HAVING TROUBLE?  
LET US HELP YOU!**

**TOLL-FREE:  
1-888-670-6684**

If you have questions regarding your product or require warranty assistance, please call our customer service helpline.



**CALL US;  
WE CAN HELP**

## PRODUCT TROUBLESHOOTING

<b>PROBLEM</b>	<b>POSSIBLE CAUSES</b>	<b>SOLUTION</b>
Vanity doors rub against another surface.	The floor is not level.	Adjust the leg levellers to ensure the vanity combo is level.
There is an uneven gap between the doors and cabinet.	The floor is not level.	Adjust the leg levellers to ensure the vanity combo is level.

## CARING FOR YOUR ITEM

- 1** Rinse vanity top with clean, hot water frequently.
- 2** Blot spills quickly, and wash with mild soap and warm water.
- 3** Check all nuts and bolts periodically for tightness. When required, tighten them again.

## WARRANTY INFORMATION



### 1-YEAR LIMITED WARRANTY\*

This CANVAS® product carries a one (1) year warranty against defects in workmanship and materials. Trileaf Distribution agrees to replace the defective product free of charge within the stated warranty period, when returned by the original purchaser with proof of purchase. This product is not guaranteed against wear or breakage due to misuse and/or abuse.

PRODUCT NO. 063-6382-4-NAVY

Made in Vietnam

Imported by Trileaf Distribution Trifeuil Toronto, Canada M4S 2B8

# CANVAS™

INSPIRED BY CANADA

