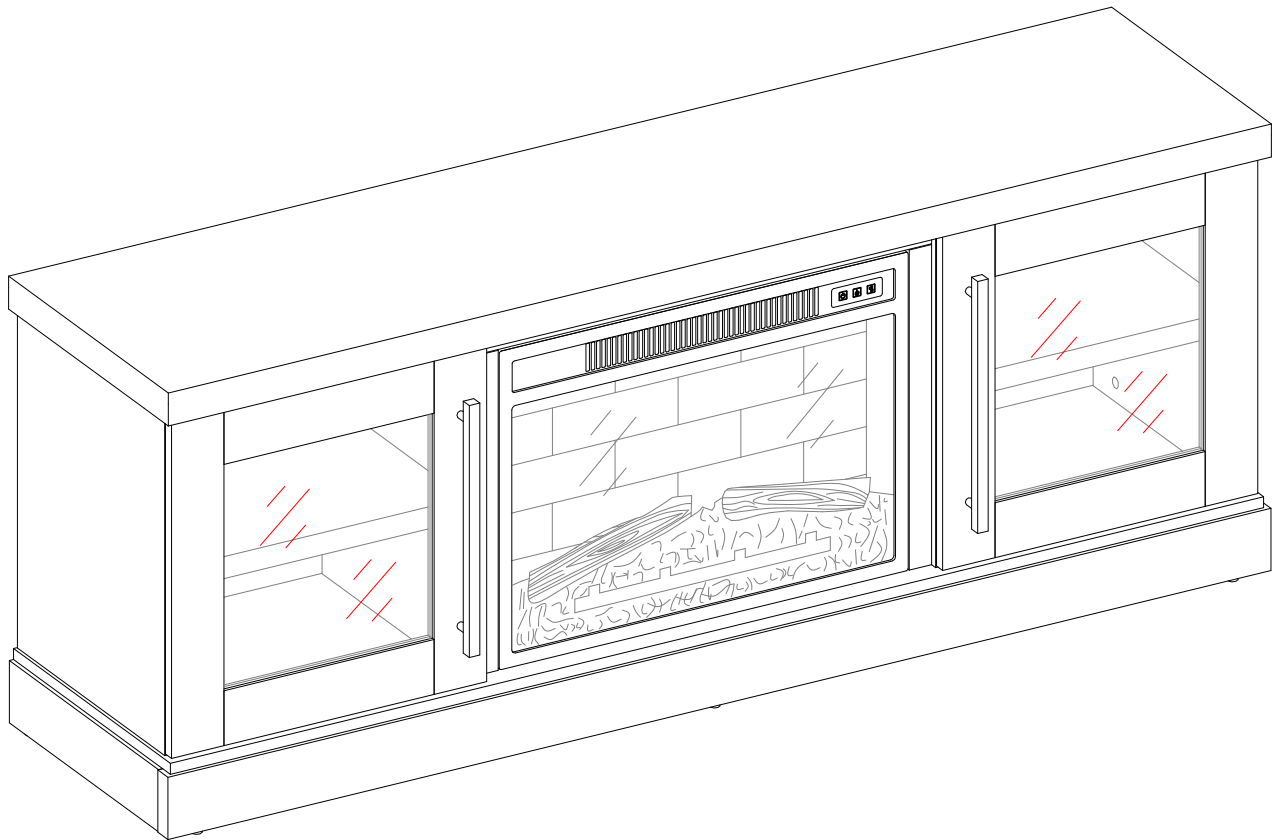


Ruso 62" Fireplace Console

Model # MNFP62BF23-6



ADULT ASSEMBLY REQUIRED

If you have any questions regarding assembly or if parts are missing, **DO NOT** return this item to the store where it was purchased. Please call our toll-free customer service number and have your instructions and parts list ready to provide the model name, part name or factory number:

1-866-942-5362

Pacific Standard Time: 8:30 a.m. - 4:30 p.m., Monday - Friday

Or visit our web site 24 hours a day, 7 days a week for product assistance at

www.whalenfurniture.com

Or e-mail your request to **parts@whalenfurniture.com**

**THIS INSTRUCTION BOOKLET CONTAINS IMPORTANT SAFETY INFORMATION.
PLEASE READ AND KEEP FOR FUTURE REFERENCE.**

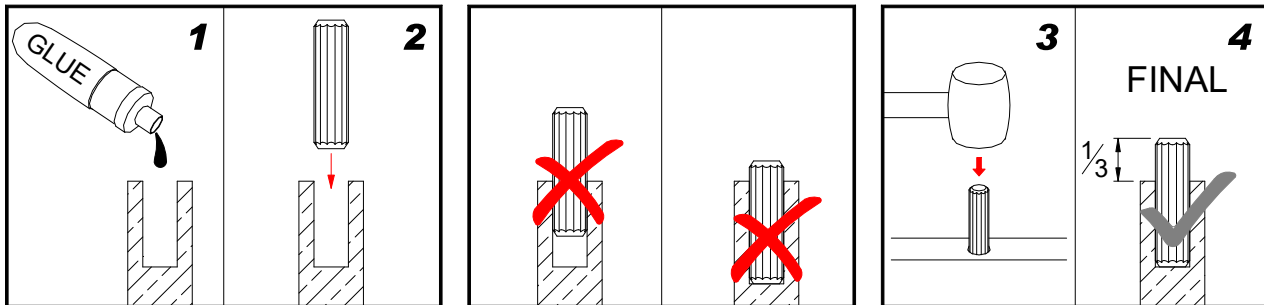
Date: 2023-05-25 Rev. 0001-A

IMPORTANT

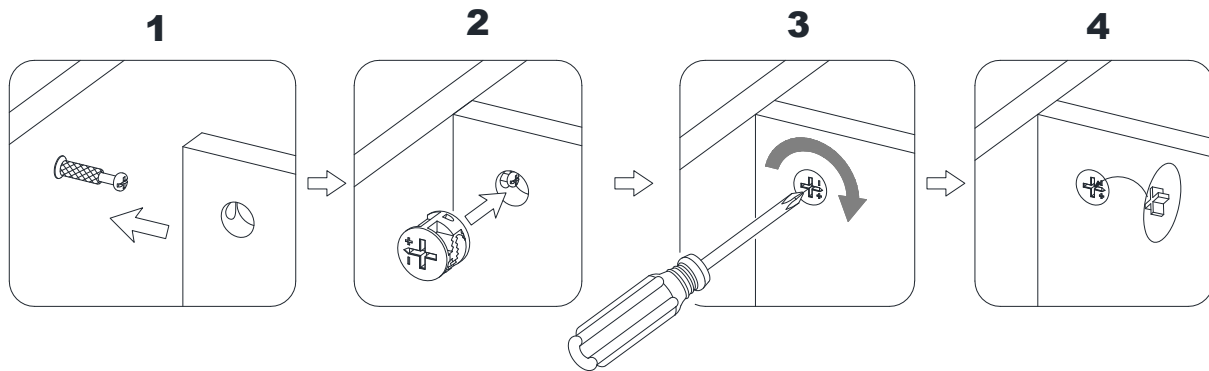
Before you begin: Open, identify and count all parts prior to assembly. Lay out parts on a flat and non-abrasive surface. You will need the parts identified on page 3 and 4 of this instruction manuals.

NOTE: IT IS VERY IMPORTANT TO USE GLUE WITH THE DOWELS. EXCESS GLUE CAN BE WIPED OFF WITH A DAMP CLOTH.

Insert dowel at least half way by tapping lightly with a rubber mallet (not included), IF NECESSARY.



CAM LOCK SYSTEM OPERATION



HOW THE KNOCK DOWN (KD) ASSEMBLY SYSTEM WORKS

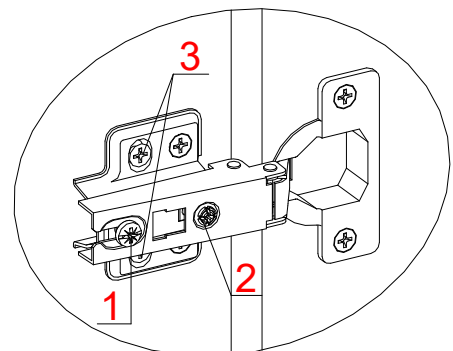
1. Screw the Cam Bolt into the pre-drilled small holes on the panel. Connect both panels together; making sure the Cam Bolt goes into the pre-drilled hole at the end of the panel with the Cam Lock.
2. Insert the Cam Lock into the pre-drilled large hole in the panel. Make sure the arrow on the Cam Lock is pointed towards the Cam Bolt.
3. Once the Cam Bolt is connected inside the Cam Lock, take a Phillips screwdriver (not included) and tighten the Cam Lock clockwise.
4. Plug the Cam Lock Cover into the cross slot of the Cam Locks to conceal the cam.

You are now ready to assemble the KD unit.

How to adjust the European adjustable hinges on doors

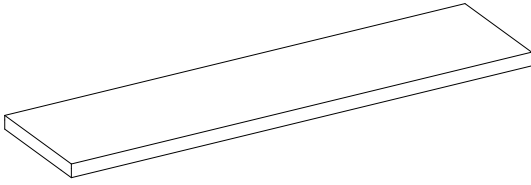
Shipping may cause doors to go out of alignment. If you find that the doors need to be adjusted slightly, turn the appropriate screw, as illustrated.

1. TO ADJUST DOOR FORWARD OR BACKWARD.
2. TO ADJUST DOOR TO RIGHT OR TO LEFT.
3. TO ADJUST DOOR UP OR DOWN.

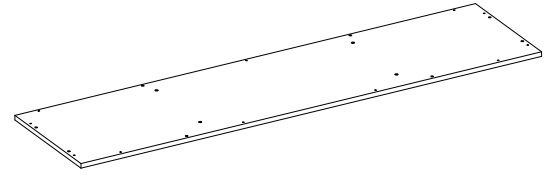


Parts and Hardware List

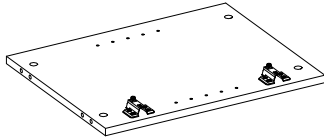
Please read completely through the instructions and verify that all listed parts and hardware are present before beginning assembly.



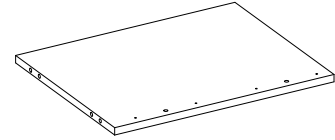
A- Top Panel (Qty. 1)



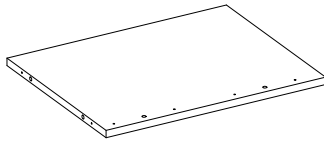
B- Bottom Panel (Qty. 1)



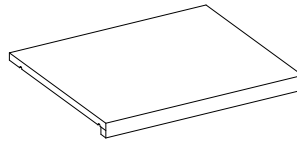
C-Side Panel (Qty. 2)



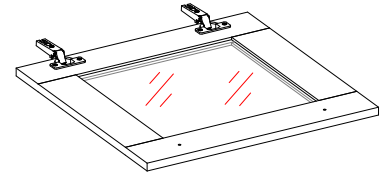
D- Left Partition Panel (Qty. 1)



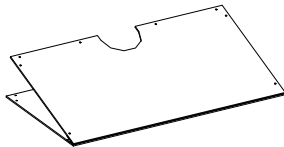
E- Right Partition Panel (Qty. 1)



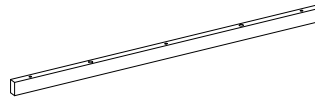
F- Adjustable Shelf (Qty. 2)



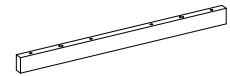
G- Door (Qty. 2)



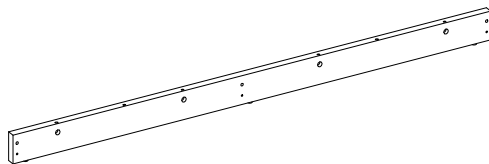
H- Back Panel (Qty. 2)



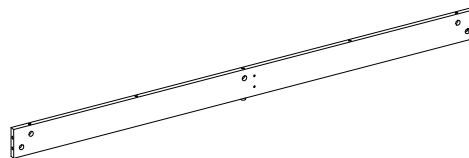
I- Middle Crossbar (Qty. 1)



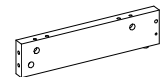
J- Middle Trim (Qty. 2)



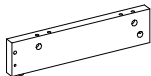
K- Front Skirting (Qty. 1)



L- Rear Skirting (Qty. 1)



M- Left Side Skirting (Qty. 1)



N- Right Side Skirting (Qty. 1)



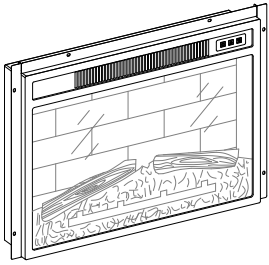
O- Bottom Middle Stretcher (Qty. 1)



P- Handle (Qty. 2)

Parts and Hardware List

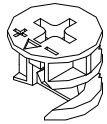
Please read completely through the instructions and verify that all listed parts and hardware are present before beginning assembly.



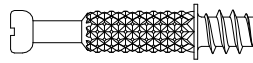
Fireplace Insert (Qty. 1)



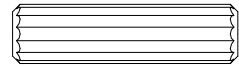
Remote Control with Battery (Qty. 1)



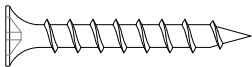
(1) Cam Lock
(Qty. 28+1 extra)



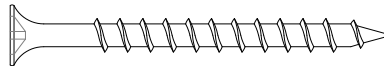
(2) Cam Bolt
(Qty. 28+1 extra)



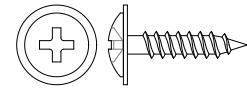
(3) M8 x 30 mm Wood Dowel
(Qty. 35+1 extra)



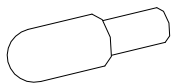
(4) M4 x 32 mm Screw
(Qty. 11+1 extra)



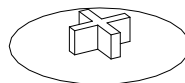
(5) M4 x 50 mm Screw
(Qty. 6+1 extra)



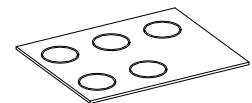
(6) M3 x 15 mm Washer Head Screw
(Qty. 32+1 extra)



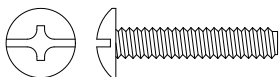
(7) Shelf Pin
(Qty. 8+1 extra)



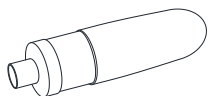
(8) Cam Lock Cover
(Qty. 12+1 extra)



(9) Rubber Bumper
(Qty. 4+1 extra)



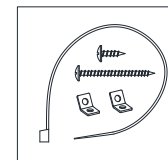
(10) 5/32'' x 21mm Bolt
(Qty. 4)



Glue
(Qty. 1)



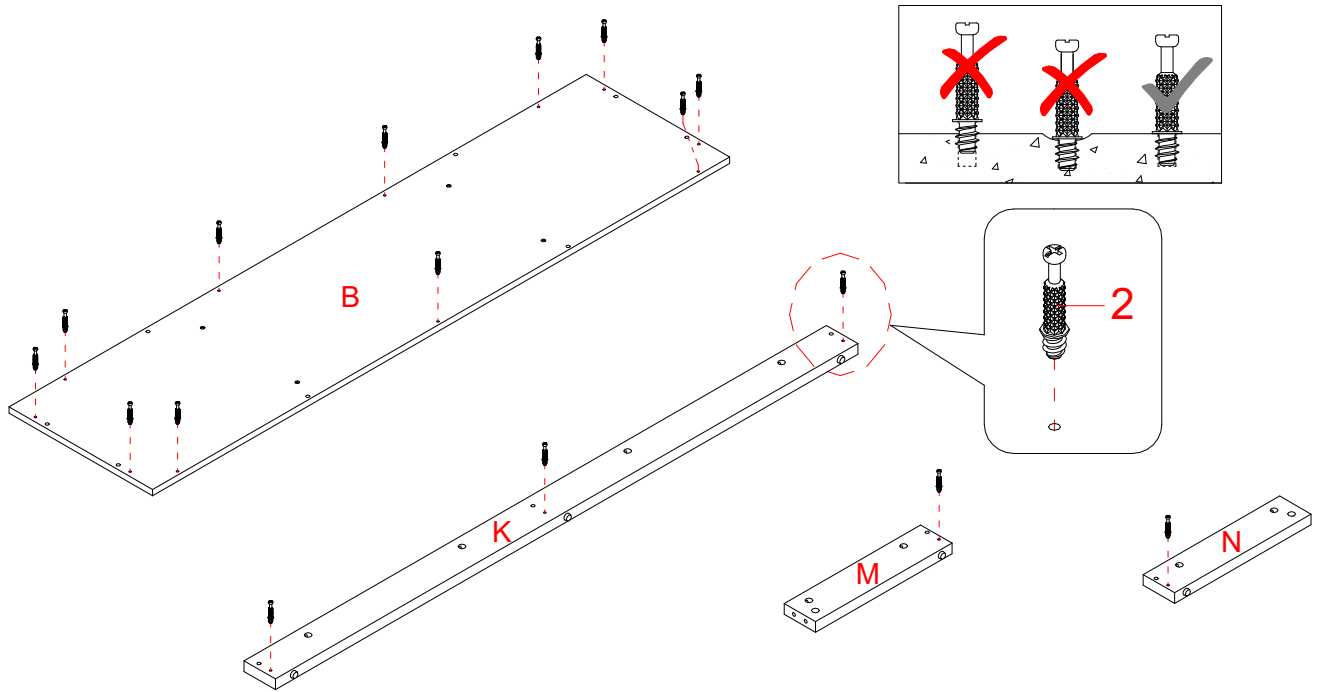
Touch-up Pen
(Qty. 1)



Tipping Restraint Hardware Kit (Qty. 2)
(Included in plastic bag)

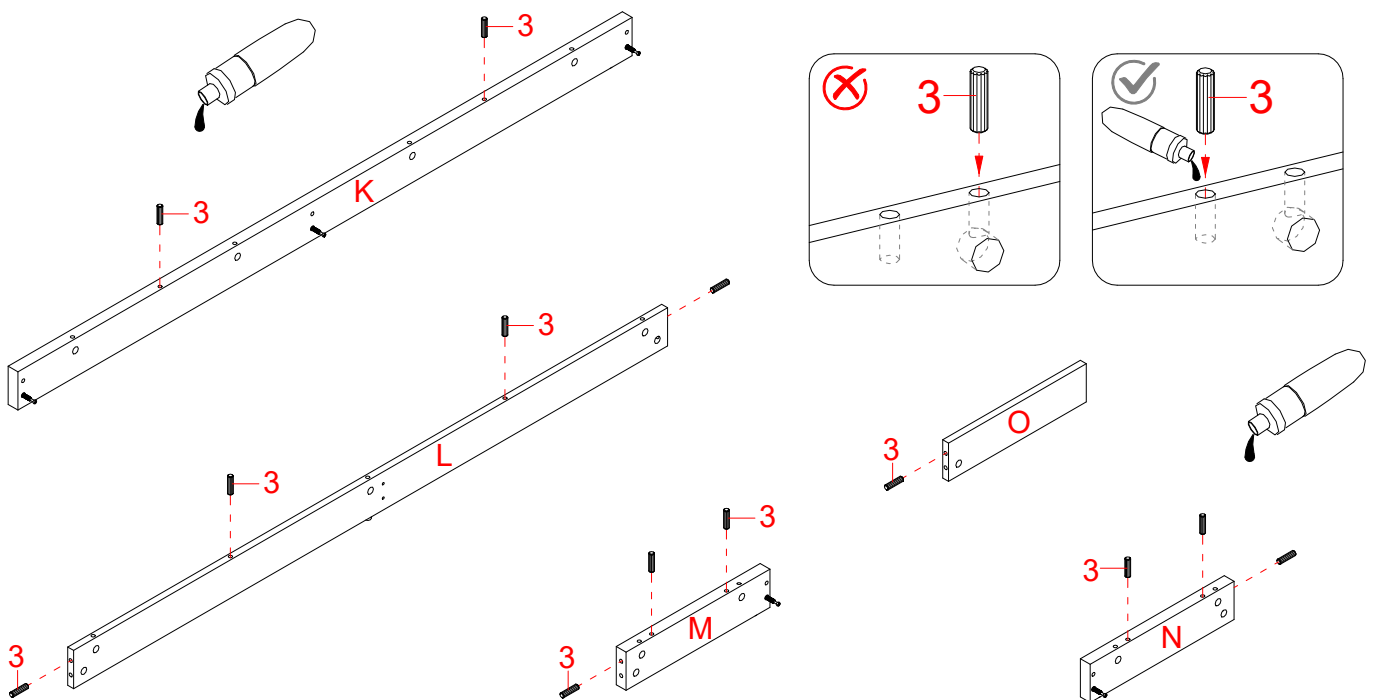
Tools required (not included): Phillips screwdriver, stud finder, pencil, tape measure, power drill and 1/8'' drill bit.

Assembly Instructions



1. Unpack the unit and confirm that you have all the hardware and required parts. Assemble the unit on a carpeted floor or the empty carton to avoid any scratch.
2. Securely screw the Cam Bolts (2) into the designated small holes on the Bottom Panel (B) and Skirting Boards (K, M and N) with a Phillips screwdriver.

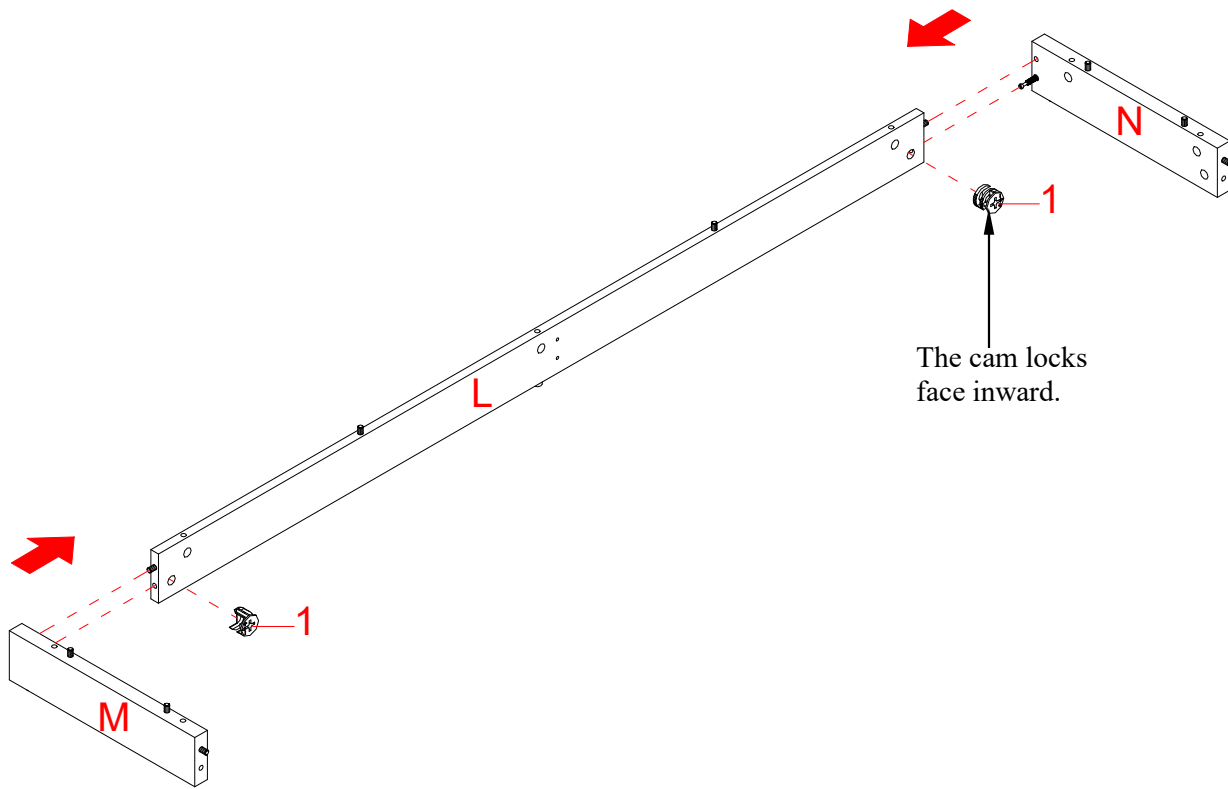
NOTE: Screw-in cam bolts must be screwed down flush.



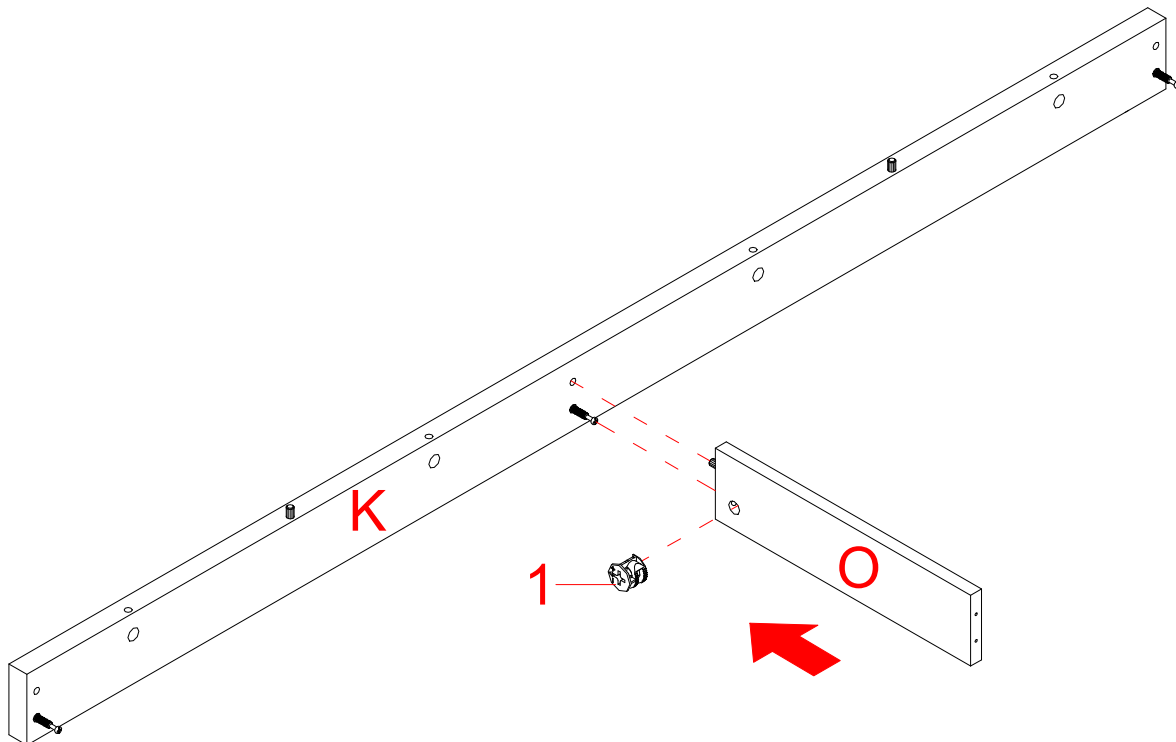
3. Glue the Wood Dowels (3) into the designated holes on the Skirting Boards (K, L, M and N) and Bottom Middle Stretcher (O).

NOTE: It is very important to use a small amount of glue on both ends of dowels and wipe away the excess glue immediately with a damp cloth.

Assembly Instructions

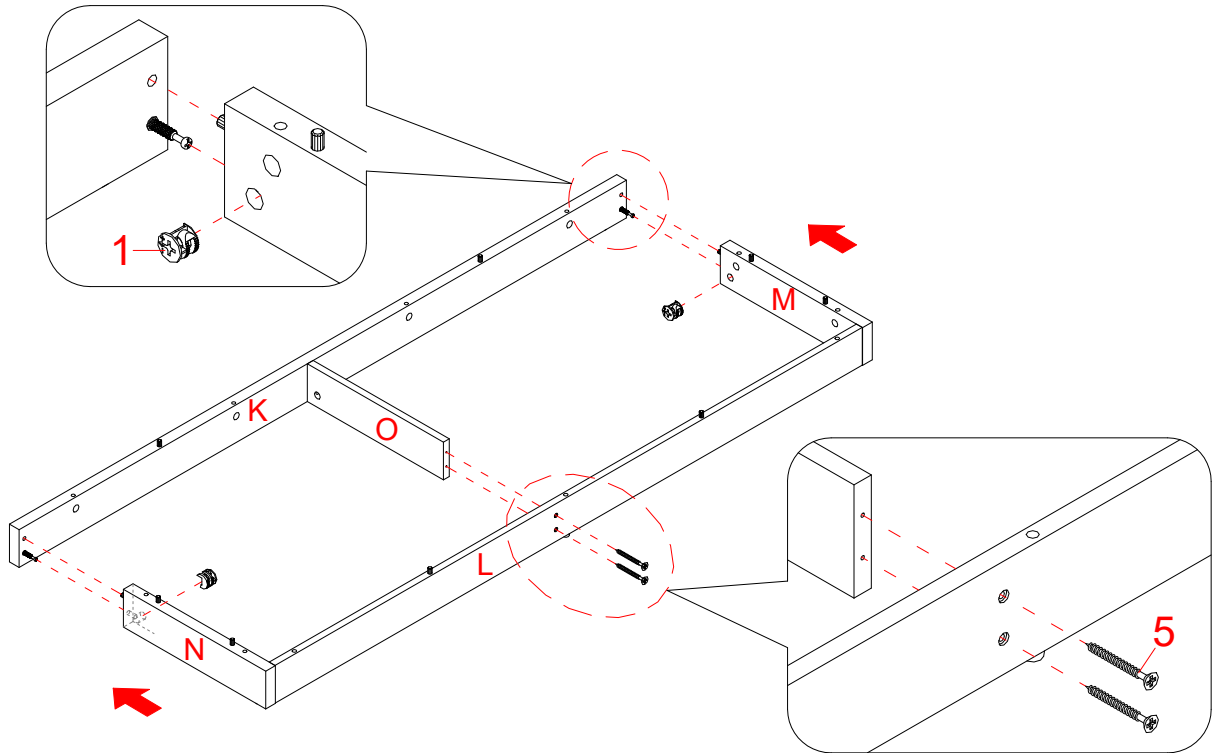


4. Align and attach the Rear Skirting (L) between the Side Skirtings (M and N) by engaging 2 Cam Locks (1). (Refer to page 2 on Cam Lock system operation supplement).

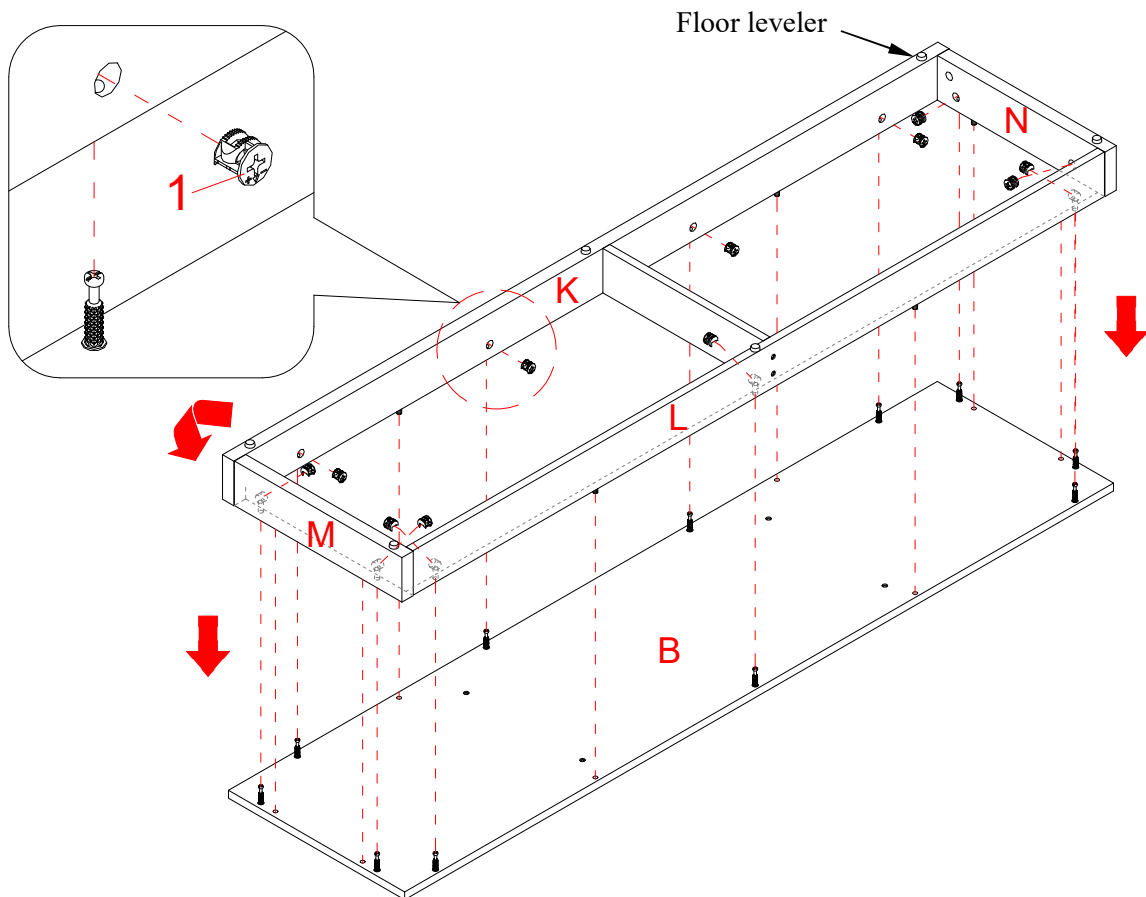


5. Attach the Bottom Middle Stretcher (O) to the Front Skirting (K) by engaging one Cam Lock (1).

Assembly Instructions

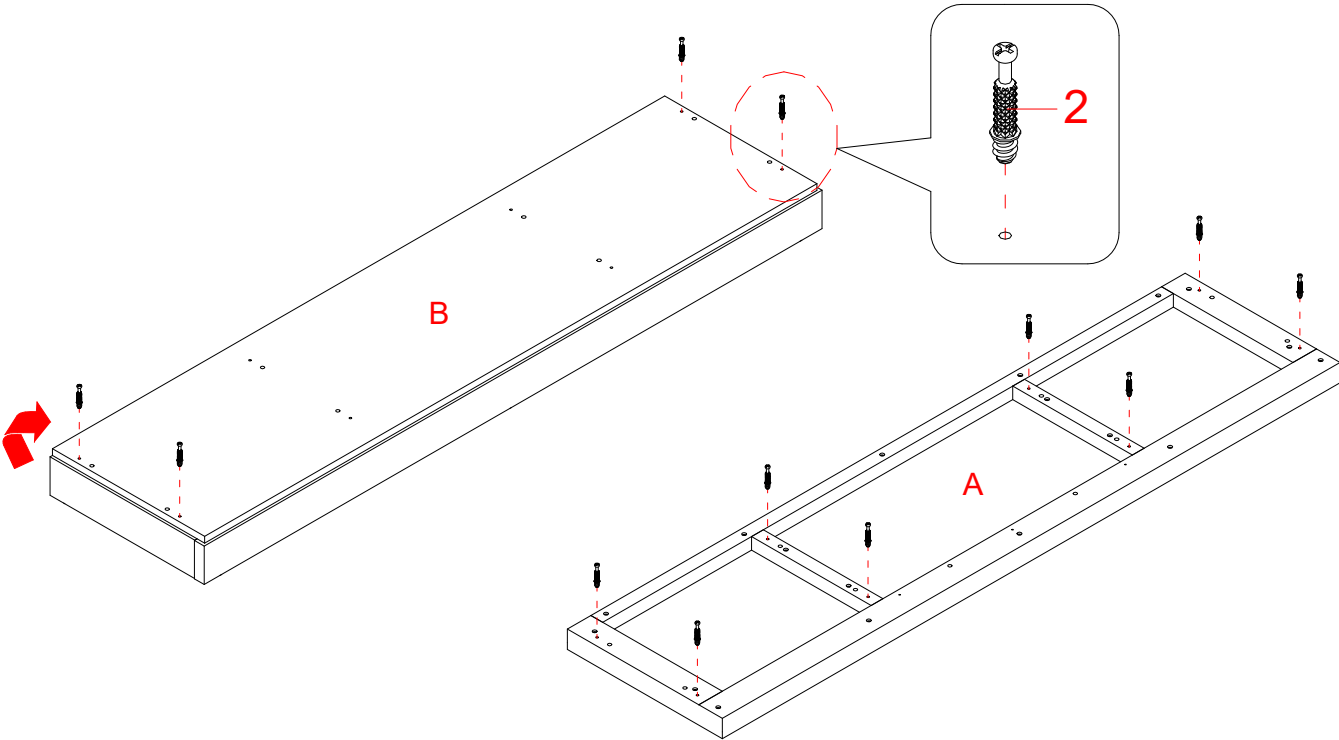


6. Attach the assembled Front Skirting (K) to both Side Skirtings (M and N) with 2 Cam Locks (1).
7. Insert two 50 mm Screws (5) through the Rear Skirting (L) and securely screw into the Bottom Middle Stretcher (O).

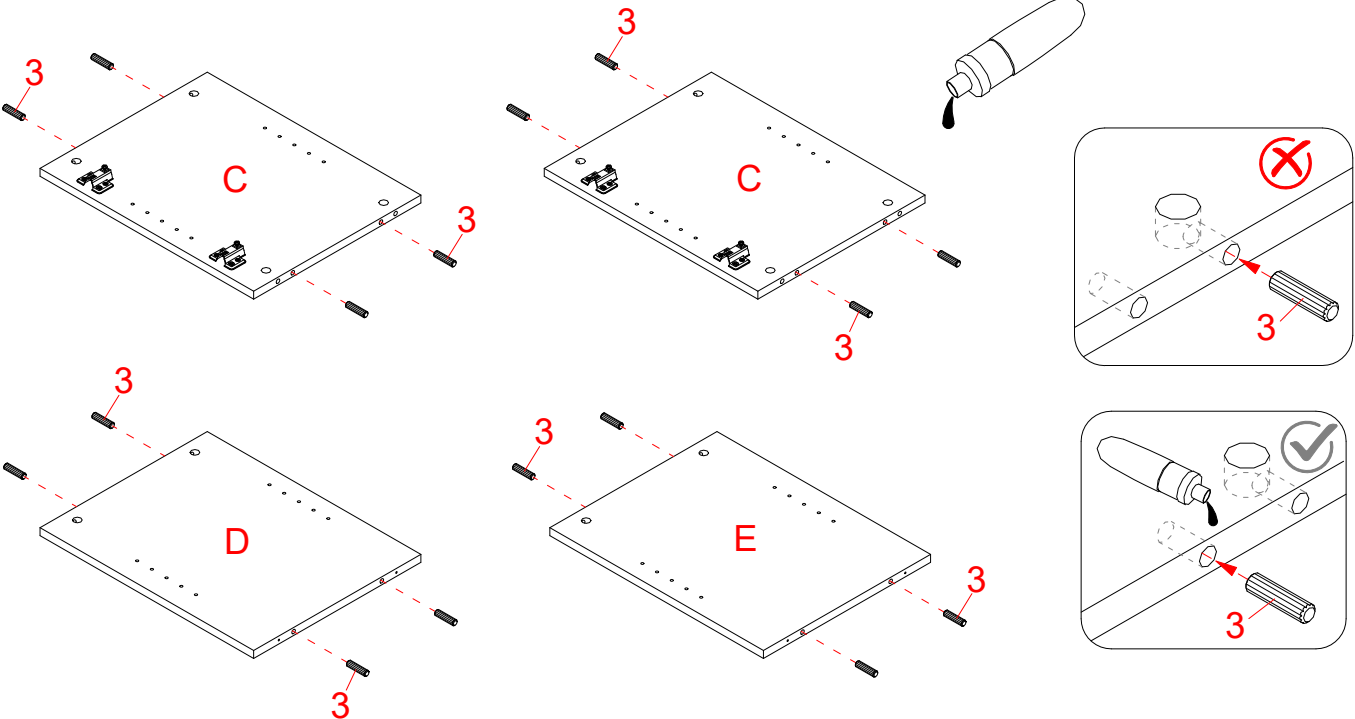


8. Align and attach the previous assembly to the Bottom Panel (B) by engaging 11 Cam Locks (1).

Assembly Instructions

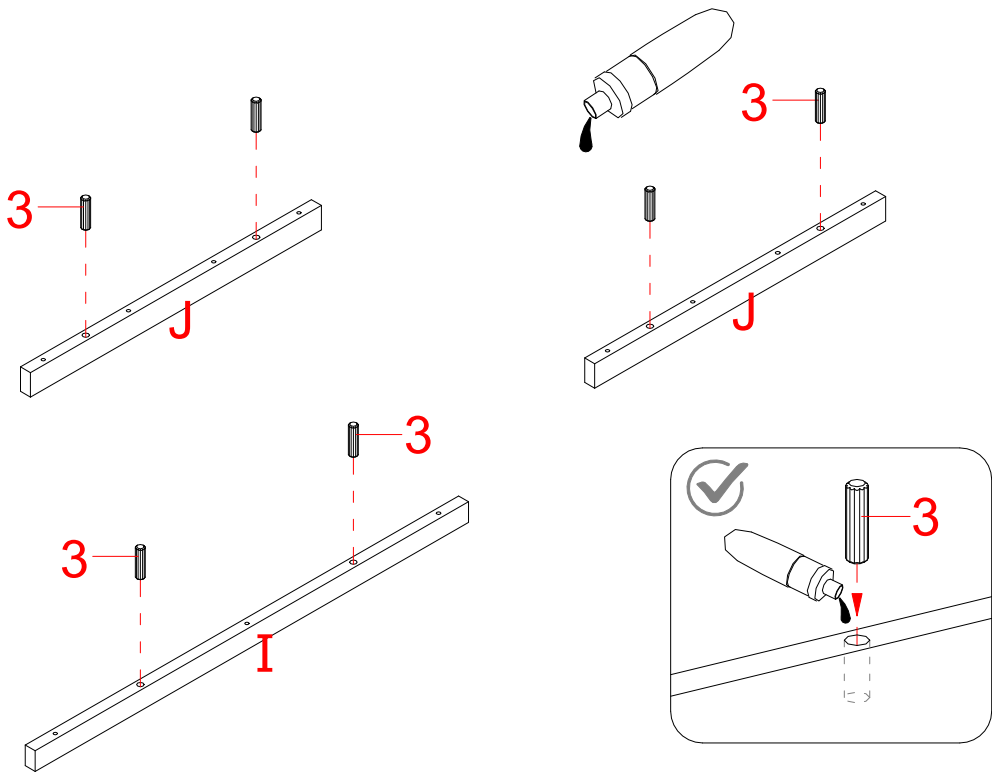


9. Securely screw the Cam Bolts (2) into the designated small holes on the Top Panel (A) and Bottom Panel (B) using a Phillips screwdriver.

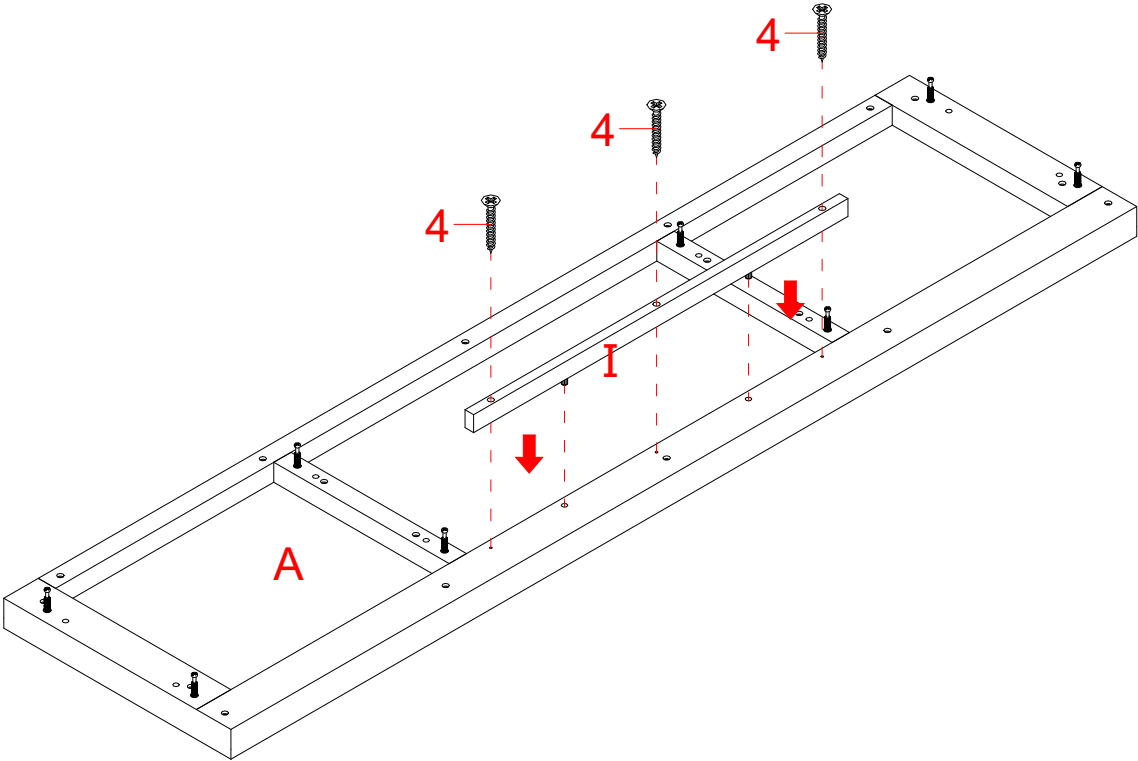


10. Glue the Wood Dowels (3) into the inner holes on the Side Panels (C) and Partition Panels (D and E) as shown.

Assembly Instructions

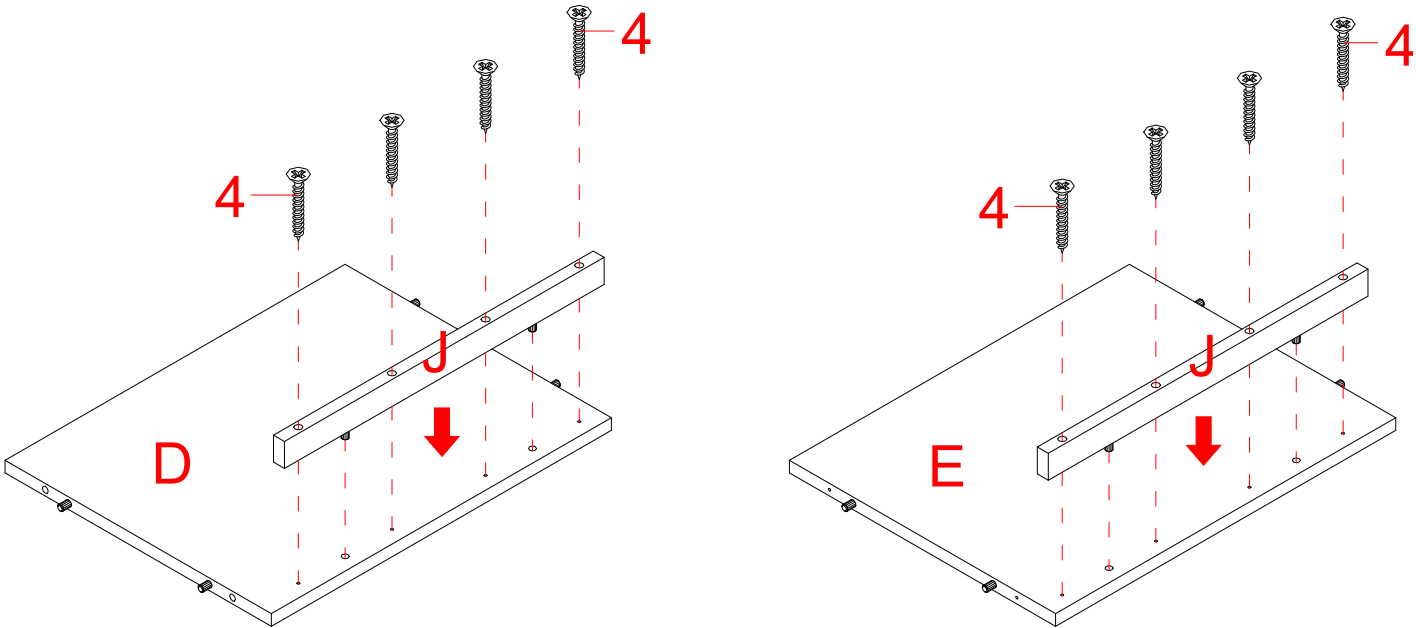


11. Glue the Wood Dowels (3) into the inner holes on the Middle Crossbar (I) and Middle Trims (J).



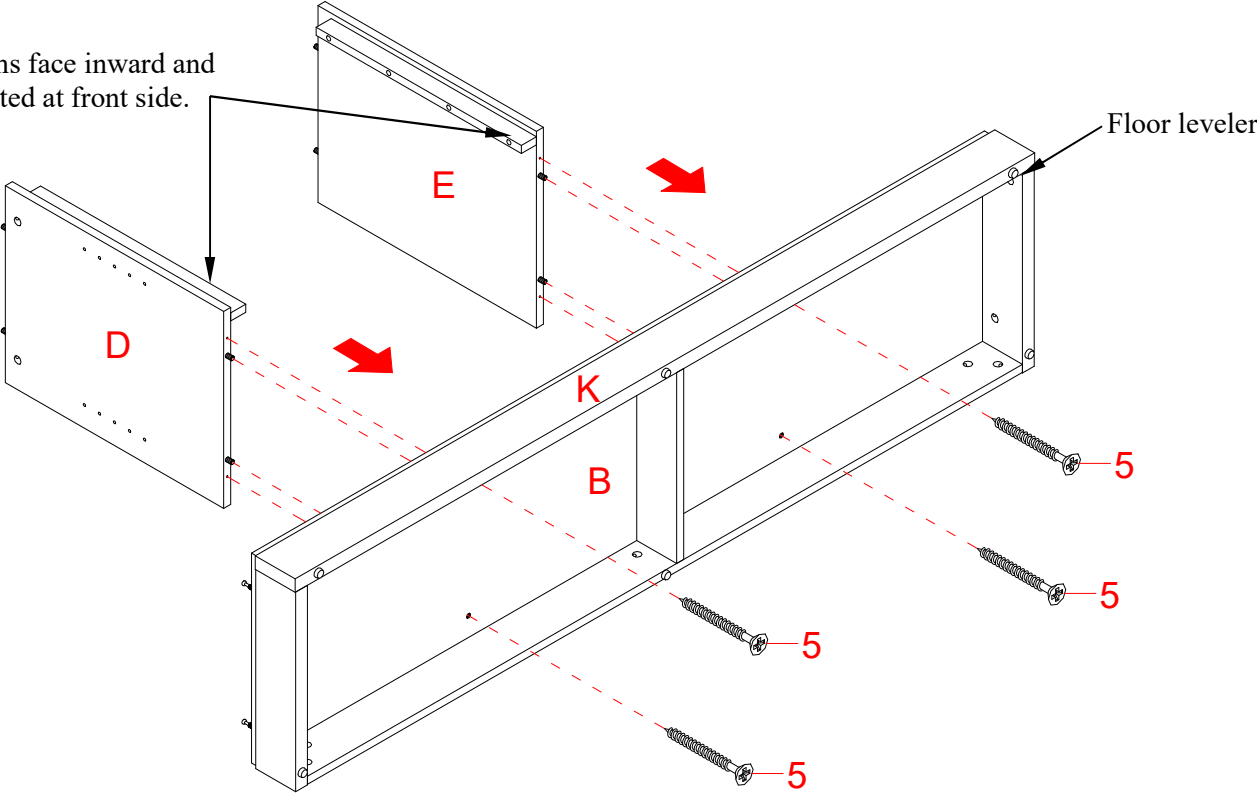
12. Using the wood dowels as a guide, fasten the Middle Crossbar (I) to the Top Panel (A) with three 32 mm Screws (4).

Assembly Instructions



13. Attach the Middle Trims (J) to the Partition Panels (D and E) respectively with eight 32 mm Screws (4).

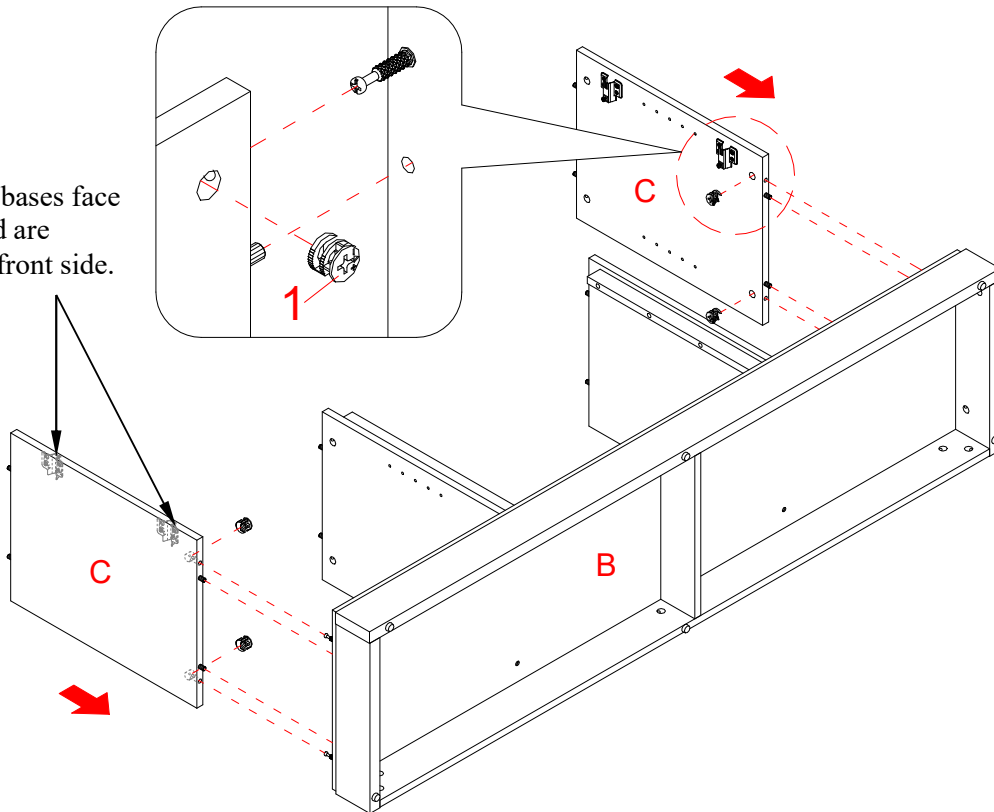
The trims face inward and are located at front side.



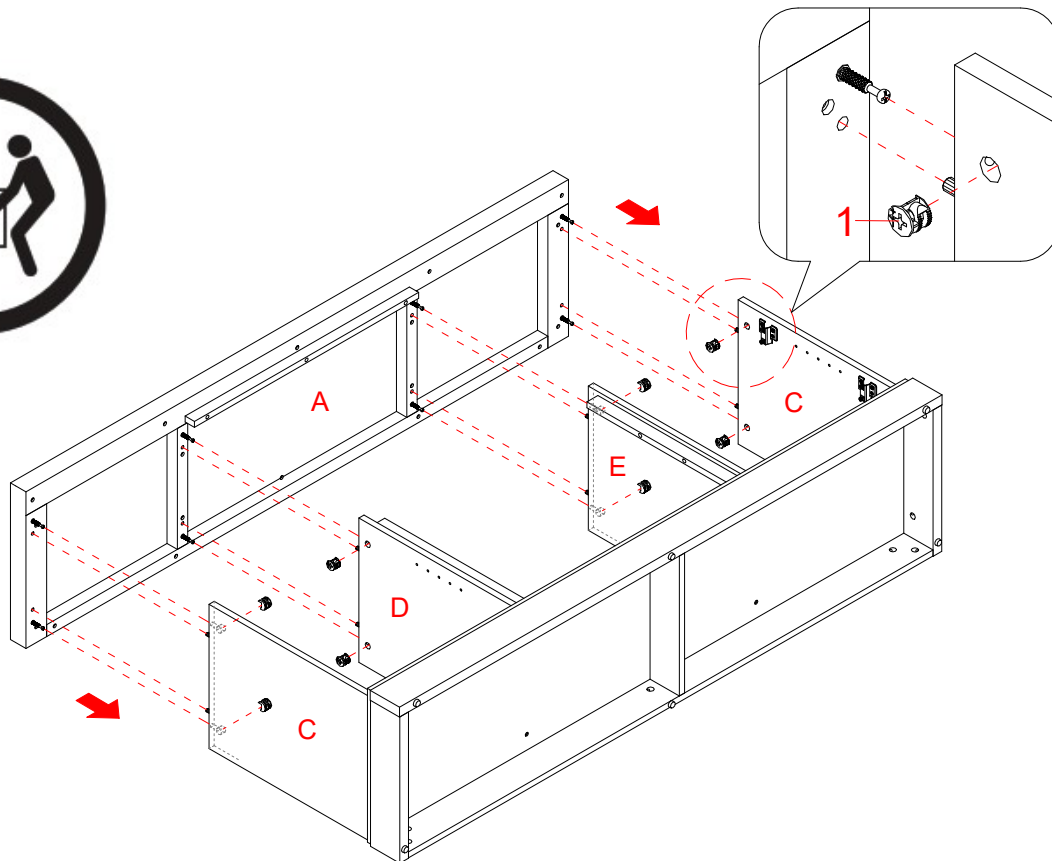
14. Orient and attach both Partition Panels (D and E) to the Bottom Panel (B) by inserting four 50 mm Screws (5) through the mounting holes on the Bottom Panel (B) and securely screw into place.

Assembly Instructions

The hinge bases face inward and are located at front side.



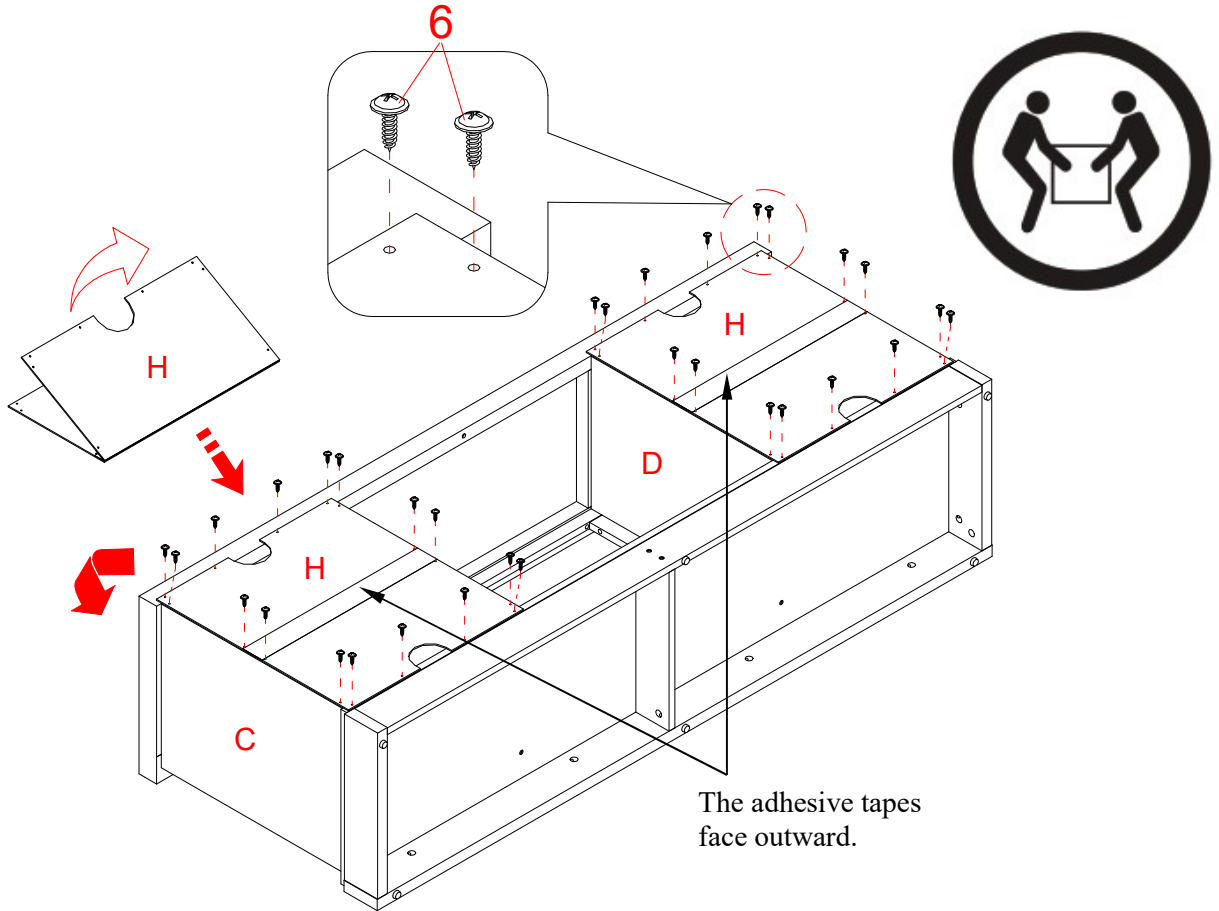
15. Orient and attach the Side Panels (C) to the Bottom Panel (B) by engaging 4 Cam Locks (1).



16. Ask for assistance to position the Top Panel (A) onto the inserted wood dowels on the vertical panels properly and fasten them into place with 8 Cam Locks (1).

17. Now, go back and securely tighten all the cam locks and screws. Make sure that all the parts are tight and there are no gaps between the parts. This will help keep the unit square.

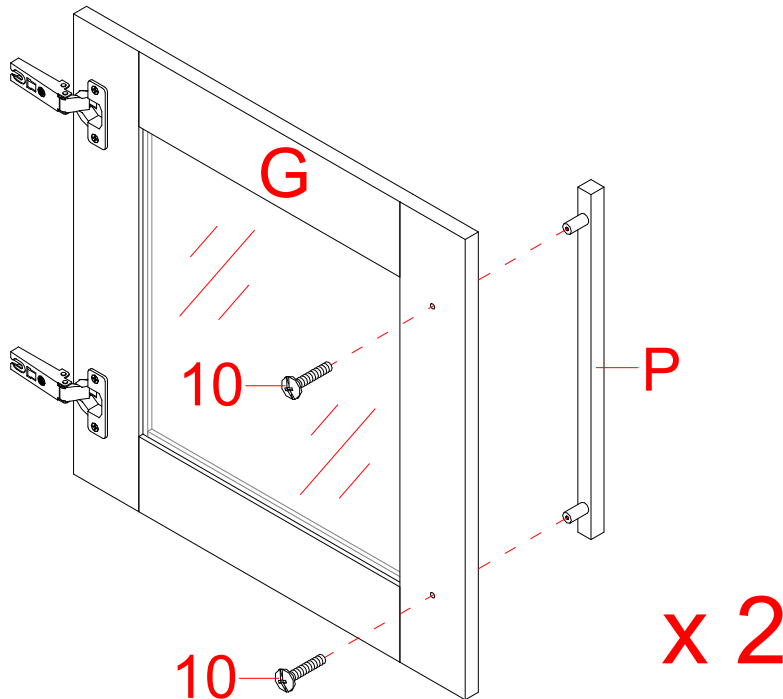
Assembly Instructions



18. Ask for assistance to turn the assembled unit at its front edges.

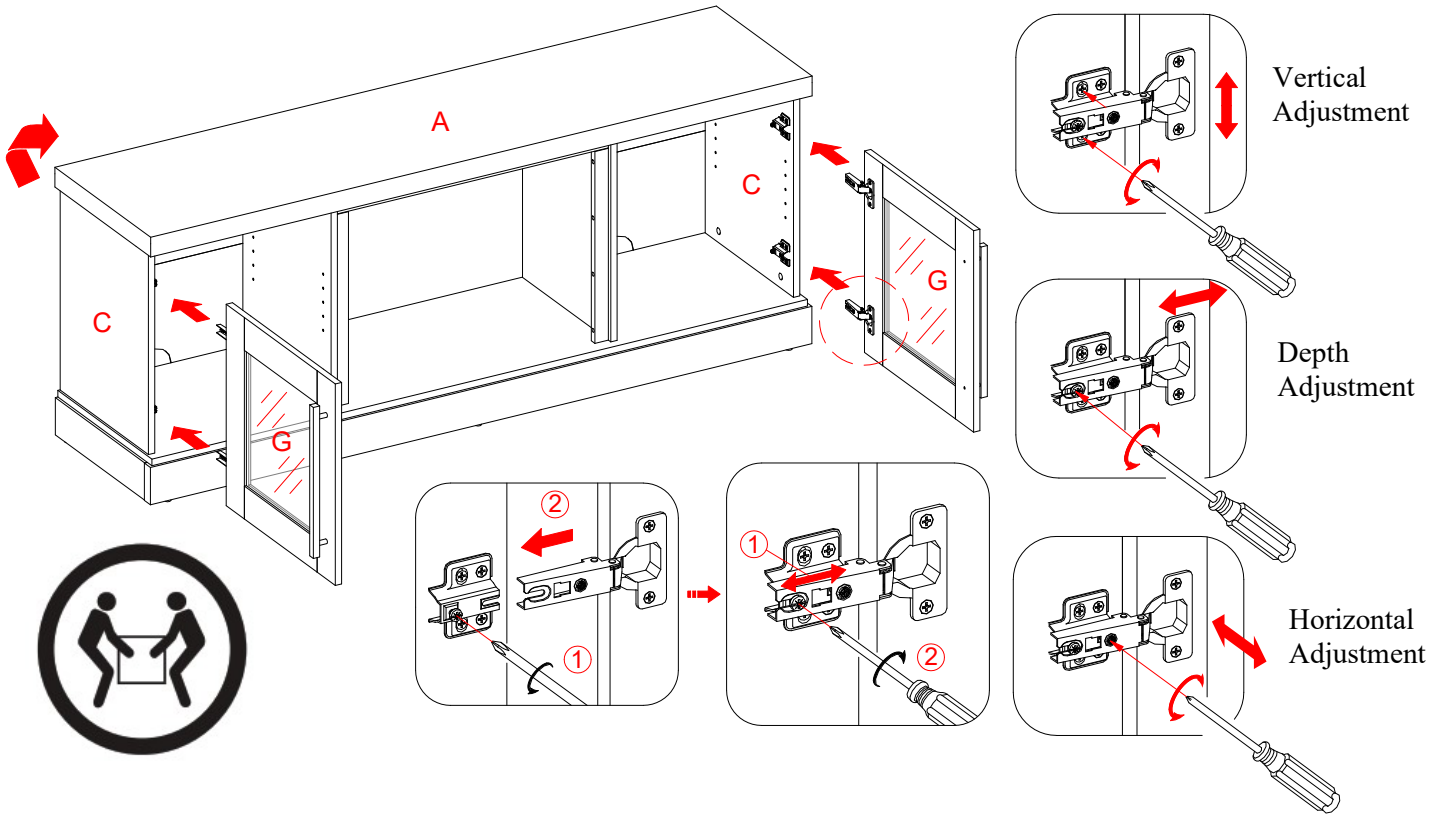
19. Unfold the Back Panels (H) and align the pre-drilled holes against the edge with pilot holes on the back edge of Top Panel (A). Attach the Back Panels (H) in place with the provided 15 mm Washer Head Screws (6).

NOTE: We recommend attaching back panel with washer head screws at the corners first.

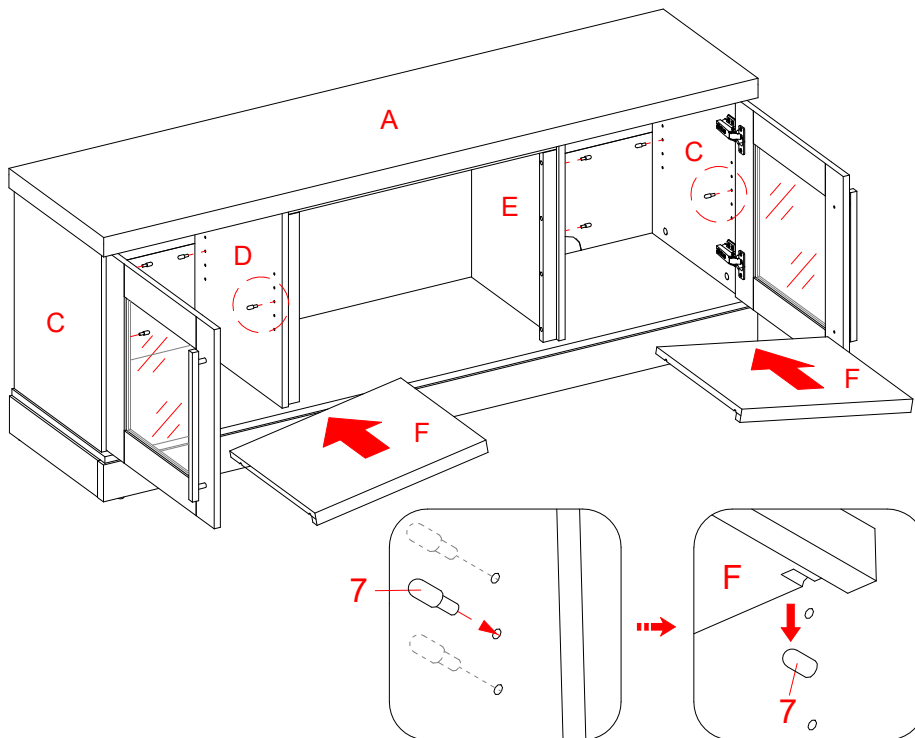


20. Attach one Handle (P) to the front of each Door (G) with two 21 mm Bolts (10) per handle.

Assembly Instructions

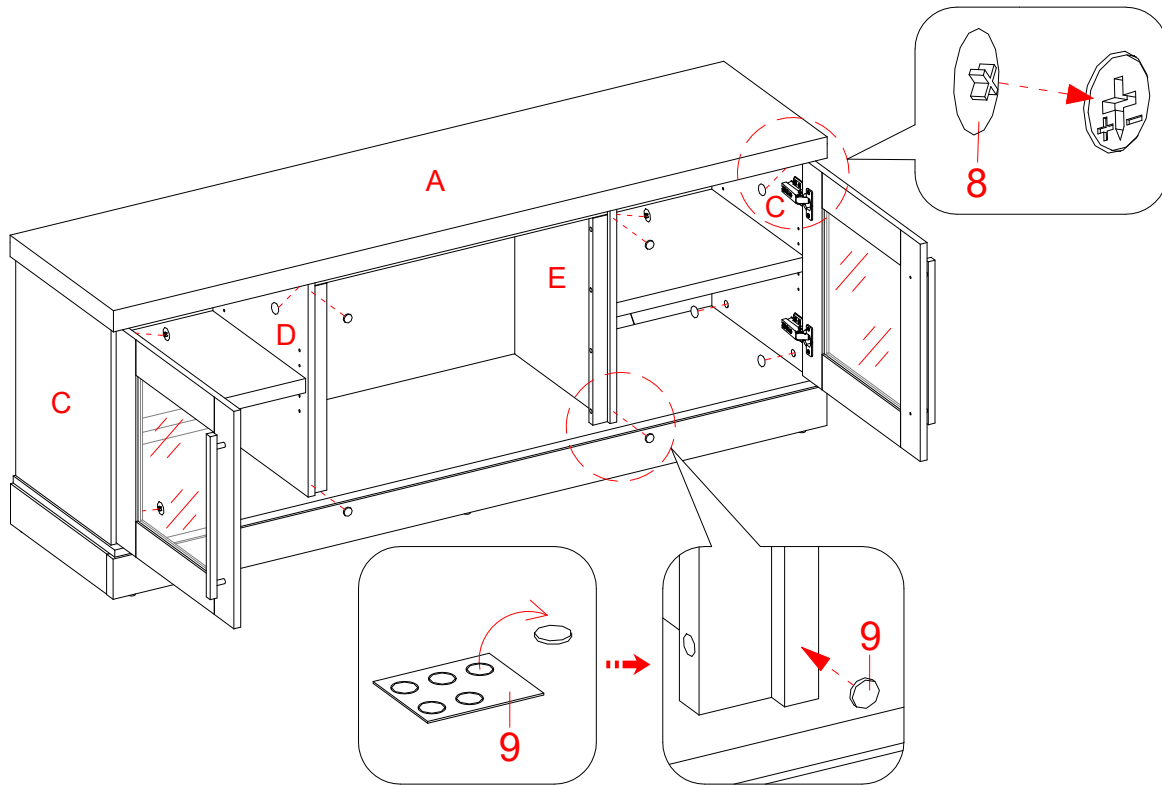


21. Lift the assembled unit upright and pick up the Doors (G) and attach the extended hinge arms to the hinge bases installed on the Side Panels (C). Loosen the bolt on the back of hinge base for an easy fit.
22. Align and insert the “U” slot on hinge arm under the bolt head on the back of hinge base. Make sure that both door hinges engage and function properly. Tighten the bolt on the hinge base to lock the hinges in place.
23. Open and close the doors to make sure they are aligned and shut correctly. If necessary, adjust the screws for a good fit.



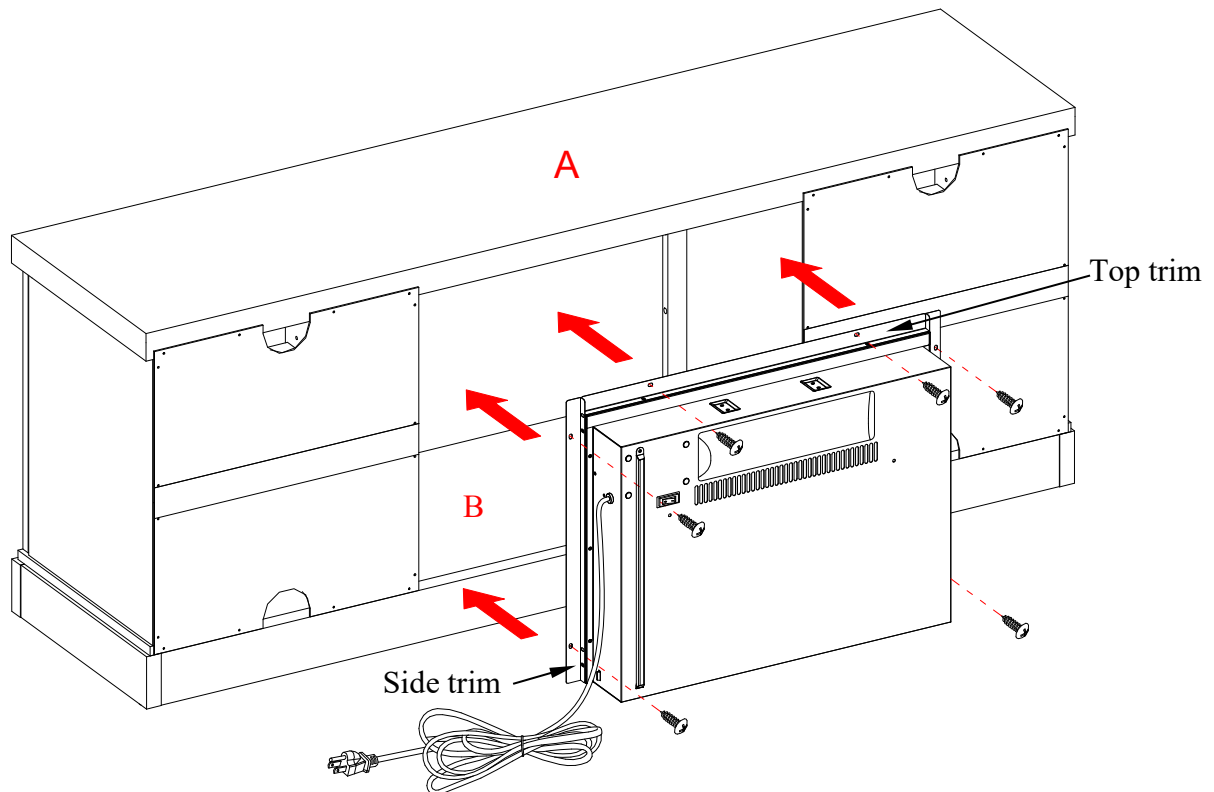
24. Insert 4 Shelf Pins (7) into the holes at the desired height inside each side compartment. Make sure you place the four Shelf Pins (7) at the same level to level the shelf.
25. Tilt and rest the Adjustable Shelves (F) onto the Shelf Pins (7) properly.

Assembly Instructions



26. Plug Cam Lock Covers (8) onto the visible Cam Locks to conceal the cams.

27. Stick the Rubber Bumpers (9) on the Partition Panels (D and E) where the Doors (G) are in contact with.

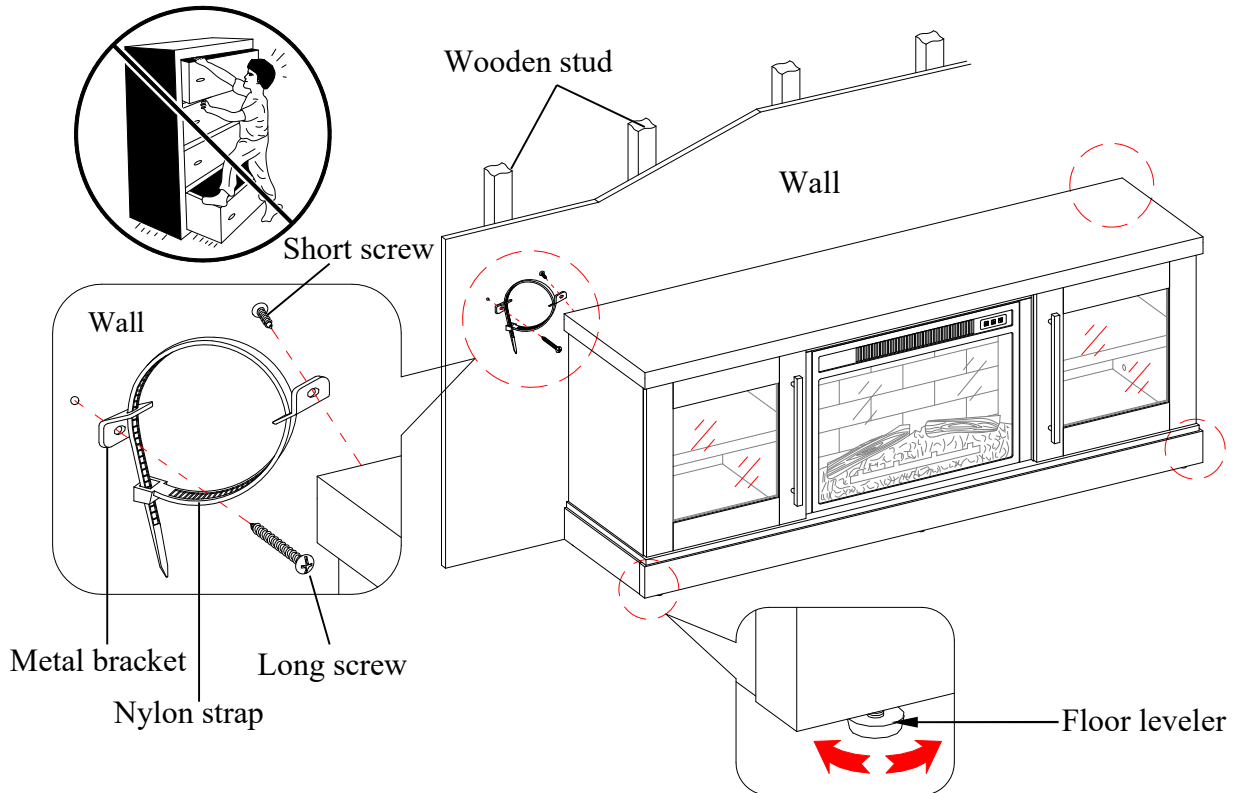


28. Unpack the fireplace insert from the inner box and follow the instructions to install the Top Trim and Side Trims to the fireplace insert.

29. Lift the Fireplace Insert carefully into the back of the assembled mantel and centre it in the opening. DO NOT drag the insert across the Bottom Panel (B) as it may scratch the unit.

30. Fasten the Fireplace Insert to the mantel with six insert screws as shown.

Assembly Instructions



Tools required (not provided): Phillips screwdriver, stud finder, tape measure, pencil, power drill and 1/8" drill bit.

31. Ask for assistance to position the assemble fireplace at the desired location against a wall. If necessary, adjust the pre-attached floor levelers at the bottom of Front Skirting (K) to correct the tilting and level the doors.
32. Now, follow the instructions printed on the plastic bag containing the Tipping Restraint Hardware to attach the tip-over restraints to the unit and the wall.

NOTE: The tipping restraint hardware included is for wooden stud wall construction. It must be attached to a wall stud. Depending upon your wall construction, different anchor hardware maybe required. Please contact your local hardware store for assistance. Young children can be seriously injured by tipping furniture. You must install the tipping restraint hardware with the unit to prevent the unit from tipping, causing any accidents or damage. The tipping restraints are intended only as a deterrent, they are not a substitute for proper adult supervision. The tipping restraints are not earthquake restraints. If you wish to add the extra security of earthquake restraints, they must be purchased and installed separately.

33. Connect the fireplace to the power transformer. Follow the operating manual for the electric fireplace insert to control your fireplace.

WARNING



Children have died from furniture tip-over.

To reduce the risk of furniture tip-over:

- ALWAYS install Anti-tip device restraint provided.
- FOR use with televisions weighing 100 lbs or less. Use with heavier televisions may result in instability causing tip-over resulting in death or serious injury.
- NEVER allow children to stand, climb or hang on any drawers, doors, or shelves.
- NEVER open more than one drawer at a time.
- Place heaviest items in the lowest drawers.

Use of tip-over restraints may only reduce, but not eliminate, the risk of tip-over.

Care and Maintenance

- Use a soft, clean cloth that will not scratch the surface when dusting.
- Use of furniture polishes is not necessary. Should you choose to use polishes, test first in an inconspicuous area.
- Using solvents of any kind on your furniture may damage the finish.
- Never use water to clean your furniture as it may cause damage to the finish.
- Always use coasters under beverage glasses and flowerpots.
- Liquid spills should be removed immediately. Using a soft, clean cloth, blot the spill gently. Avoid rubbing.
- Always use protective pads under hot dishes and plates. Heat can cause chemical changes that may create spotting within the furniture finish.
- Stains or marks from crayons or ink markers will be difficult to remove.
- In the event that your furniture is stained or otherwise damaged during use, we recommend that you call a professional to repair your furniture.
- Check bolts/screws periodically and tighten them if necessary.

WARNING

Please use your furniture correctly and safely. Improper use can cause safety hazards, or damage to your furniture or household items. Carefully read the following safety information.

This unit is not intended for use with CRT TVs. The top surface maximum weight capacity is 100 lb (45.4 kg) and maximum load 75 in. (190.5 cm) diagonal flat-panel TV. The shelf maximum recommended weight allowance is 50 lb (22.7 kg). Use with heavier televisions may result in instability causing tip over resulting in death or serious injury.

Death or serious injury may occur when children climb on audio and/or video equipment furniture. A remote control or toys placed on the furnishing may encourage a child to climb on the furnishing and as a result may tip over onto the child.

- NEVER** allow children to climb or play with the TV or furnishing supporting the TV.
- NEVER** place toys, food, remote, etc. on top of the TV or TV furnishing.
- ALWAYS** use either the safety hardware as instructed or other wall anchoring device.

Relocating audio and/or video equipment to furniture not specifically designed to support audio and/or video equipment may result in death or serious injury due to furniture collapse or over turning onto a child.

- NEVER** place a TV on furniture that is not intended to support a TV.
- NEVER** exceed the maximum size and weight of the TV shown in the instructions.
- Be sure to refer to the TV warning label as shown in the instructions.

Overloading drawers and shelves may result in furniture that can break or sag, or tip-over which may result in injury.

- NEVER** exceed the weight limits shown in the instructions.
- Place the heavier items on lower shelves as far back from the front as possible.
- Load the bottom surfaces first to avoid top-heavy furniture.

Moving furniture that is not designed to be moved or equipped with casters may result in injury or damage to furnishings or personal property.

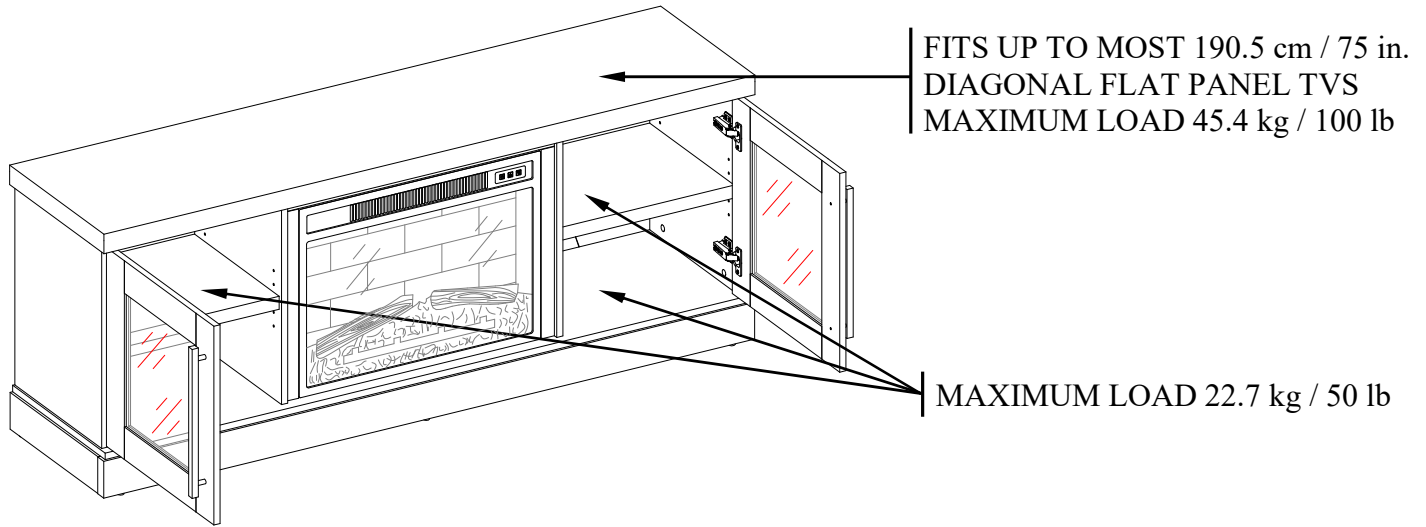
- ALWAYS** unload shelves and drawers, starting with the top surfaces, before moving.
- NEVER** push or pull furniture on carpet. Have a friend help lift properly to move and/or reposition it.

The stand is not meant as a seat and no one should be sitting or standing on the stand.

Clean the metal trim using a soft cloth, slightly dampened with citrus oil-based product and buff with a clean soft cloth. **DO NOT** use brass polish or household cleaners as these products will damage the metal trim. Citrus oil-based products can be obtained at supermarkets or hardware stores.

MAXIMUM RECOMMENDED WEIGHT LOADS

MANUFACTURER: Whalen Furniture Manufacturing
CATALOG : Ruso 62" Fireplace Console
MODEL #: MNFP62BF23-6



WARNING

THIS UNIT IS NOT INTENDED FOR USE WITH CRT TVS. USE ONLY WITH FLAT PANEL TVS AND AUDIO/VIDEO EQUIPMENT MEETING RECOMMENDED SIZE AND WEIGHT LIMITS. NEVER USE WITH LARGER/HEAVIER THAN RECOMMENDED FLAT PANEL TVS OR EQUIPMENT. TO AVOID INSTABILITY, PLACE FLAT PANEL TV IN THE CENTER OF THE UNIT; THE BASE OF THE TELEVISION MUST BE ABLE TO REST ON THE SUPPORTING SURFACE OF THE UNIT WITHOUT OVER-HANGING THE EDGES. IMPROPERLY POSITIONED FLAT PANEL TVS, OR FLAT PANEL TVS INCLUDING OTHER EQUIPMENT THAT EXCEED RECOMMENDED SIZE AND WEIGHT LIMITS COULD FALL OFF OR BREAK THE UNIT, CAUSING POSSIBLE SERIOUS INJURY. FOR USE WITH TELEVISIONS WEIGHING 100 LBS (45.4 KG) OR LESS. USE WITH HEAVIER TELEVISIONS MAY RESULT IN INSTABILITY CAUSING TIP OVER RESULTING IN DEATH OR SERIOUS INJURY.

QUALITY GUARANTEE

We are confident that you will be delighted with your Whalen Furniture purchase.

Should this product be defective in workmanship or materials or fail under normal use, we will repair or replace it for up to one (1) year from date of purchase. Every Whalen Furniture product is designed to meet your highest expectations. We guarantee that you will immediately see the value of our fine furniture.

This warranty gives you specific legal rights and you may also have other rights which vary from state to state or province to province.

Whalen Furniture Manufacturing
1578 Air Wing Road
San Diego, CA 92154, USA
Customer Service: 1-866-942-5362
8:30 a.m. - 4:30 p.m., PST, Monday to Friday
www.whalenfurniture.com

