



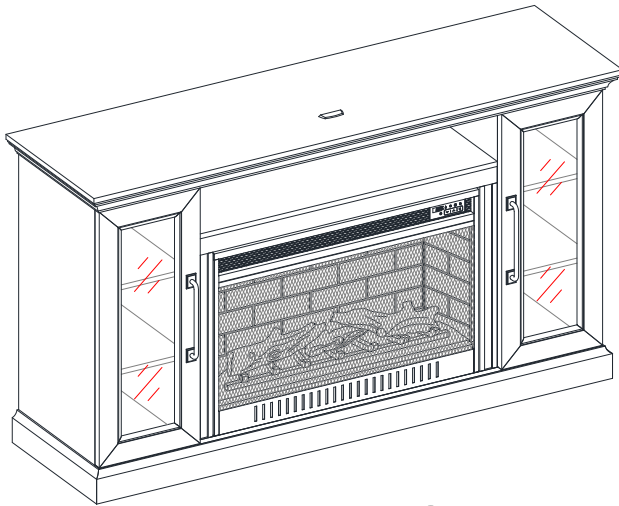
# Assembly Instructions & User's Manual

## Ridley Media Fireplace

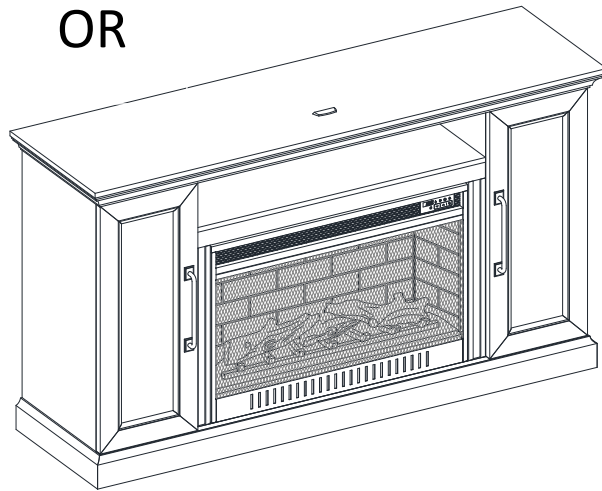
Model Number: SMFPC3F33

Customer Assistance (spare/replacement parts): 1-866-942-5362

or Email: [parts@whalenfurniture.com](mailto:parts@whalenfurniture.com)



OR



LOT NUMBER: \_\_\_\_\_ DATE PURCHASED: \_\_\_/\_\_\_/\_\_\_\_\_

**THIS ASSEMBLY MANUAL CONTAINS IMPORTANT SAFETY INFORMATION.  
PLEASE READ AND KEEP FOR FUTURE REFERENCE.**



# Assembly Instructions & User's Manual

## Table of Contents

Quality Statement .....	3
Important Safety Information.....	3
Before Assembly.....	3
Care & Use .....	3
Package Contents .....	4
Product Information.....	4
Components .....	5
Hardware .....	5
Tools.....	5
Step 1 .....	6
Step 2 .....	7
Step 3 .....	8
Step 4 - Hinge adjustment.....	9
Step 5 .....	10
Step 6 .....	11
 Warning.....	12
 Danger .....	13
Troubleshooting .....	13
Care & Use Instructions.....	13
Storage Instructions .....	13
Technical Data .....	13
Limited Warranty Information.....	14



# Assembly Instructions & User's Manual

## Quality Statement

Question or Comments? We would love to hear about your Member's Mark experience!

Visit us at: [Samsclub.com/membersmarkhelp](https://www.samsclub.com/membersmarkhelp)

## Important Safety Information

- Please read all instructions carefully before assembling this product.
- Where applicable, and for your safety, assembly by an adult is strongly recommended.
- Use only vendor-supplied hardware to assemble this item. Using unauthorized hardware could jeopardize the structural integrity of the item.
- Hardware may loosen overtime. Periodically check that all connections are tight.
- **NOTE:** To prevent injury and property damage from unexpected tipping of furniture, we highly recommend installation of the anti-tip kit included with this product.

## Before Assembly

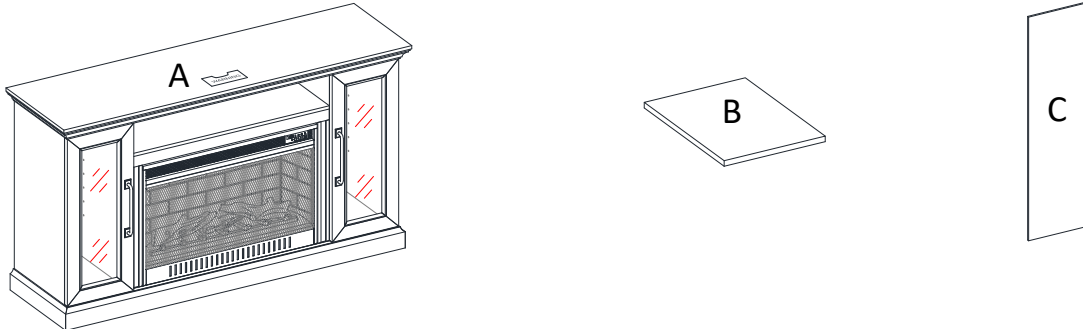
- Remove all parts and hardware from the box. Place all items on a carpeted or scratch-free work surface, as this will avoid damaging parts during assembly.
- The shipping box can provide an ideal work surface if none is available.
- Use the components and hardware lists below to identify, inventory and separate each of the hardware and components included.
- To avoid accidentally discarding small components or hardware, do not dispose of any packaging or contents of the shipping carton until assembly is complete.
- **DO NOT USE** power tools unless it is explicitly identified in this manual as required for use during assembly. Power tools can damage the fasteners, hardware and/or components.
- Do not fully tighten all fasteners / screws until all parts are in place. Failure to follow these instructions may cause the fasteners / screws to misalign during assembly.

## Care & Use

- Use a soft, clean cloth that will not scratch the surface when dusting.
- Use of furniture polish is not necessary. Should you choose to use polish, test first in an inconspicuous area.
- Using solvents of any kind on your furniture may damage the finish.
- Never use water to clean your furniture as it may cause damage to the finish.
- Liquid spills should be removed immediately. Using a soft, clean cloth, blot the spill gently. Avoid rubbing.
- Do not place furniture in direct sunlight.

# Assembly Instructions & User's Manual

## Package Contents

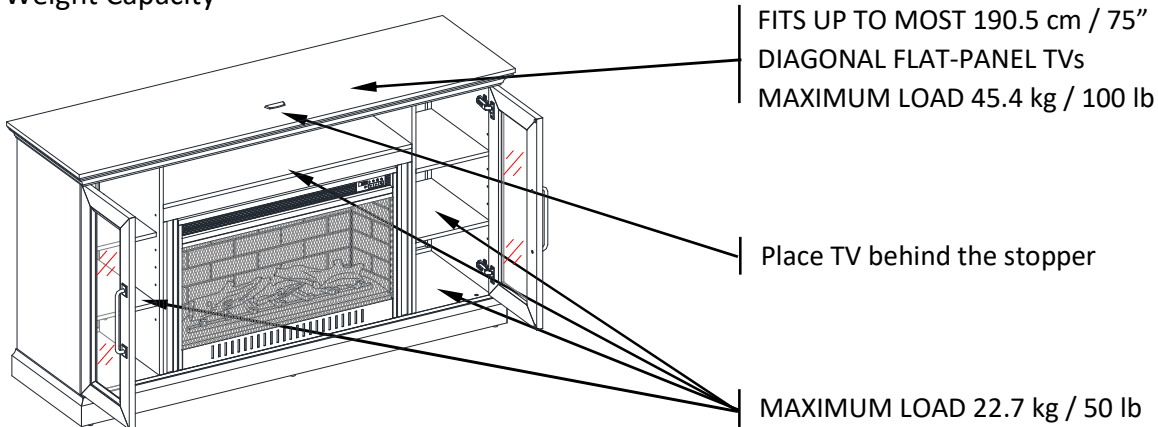


Component	Description	Quantity
A	Fireplace	1
B	Adjustable Shelf	4
C	Wood door insert	2

## Product Information

Dimensions – 66" x 19" x 37" (167.6 cm x 48.3 cm x 94 cm)

Weight Capacity

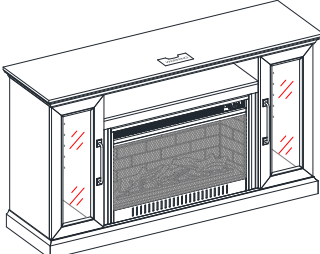
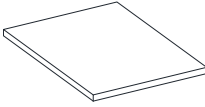




### **WARNING**

THIS UNIT IS NOT INTENDED FOR USE WITH CRT TVS. USE ONLY WITH FLAT PANEL TVS AND AUDIO/VIDEO EQUIPMENT MEETING RECOMMENDED SIZE AND WEIGHT LIMITS. NEVER USE WITH LARGER/HEAVIER THAN RECOMMENDED FLAT PANEL TVS OR EQUIPMENT. TO AVOID INSTABILITY, PLACE FLAT PANEL TV IN THE CENTER OF THE UNIT; THE BASE OF THE TELEVISION MUST BE ABLE TO REST ON THE SUPPORTING SURFACE OF THE UNIT WITHOUT OVER-HANGING THE EDGES. IMPROPERLY POSITIONED FLAT PANEL TVS, OR FLAT PANEL TVS INCLUDING OTHER EQUIPMENT THAT EXCEED RECOMMENDED SIZE AND WEIGHT LIMITS COULD FALL OFF OR BREAK THE UNIT, CAUSING POSSIBLE SERIOUS INJURY. FOR USE WITH TELEVISIONS WEIGHING 100 LB (45.4 KG) OR LESS. USE WITH HEAVIER TELEVISIONS MAY RESULT IN INSTABILITY CAUSING TIP OVER RESULTING IN DEATH OR SERIOUS INJURY.

# Assembly Instructions & User's Manual

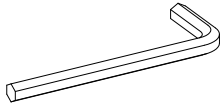
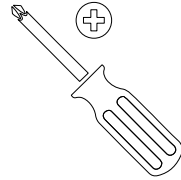

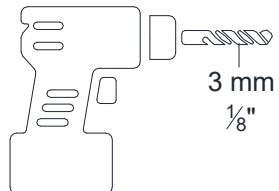
## Components

<p>Component A Part No. not available Qty: 1</p> 	<p>Component B Part No. 00SMFPC3F33-B Qty: 4</p> 	<p>Component C Part No. 00SMFPC3F33-C Qty: 2</p> 	<p>Component D (Pre-attached) Part No. 00SMFPC3F33-D Qty: 2</p> 
--	--	---	---

## Hardware

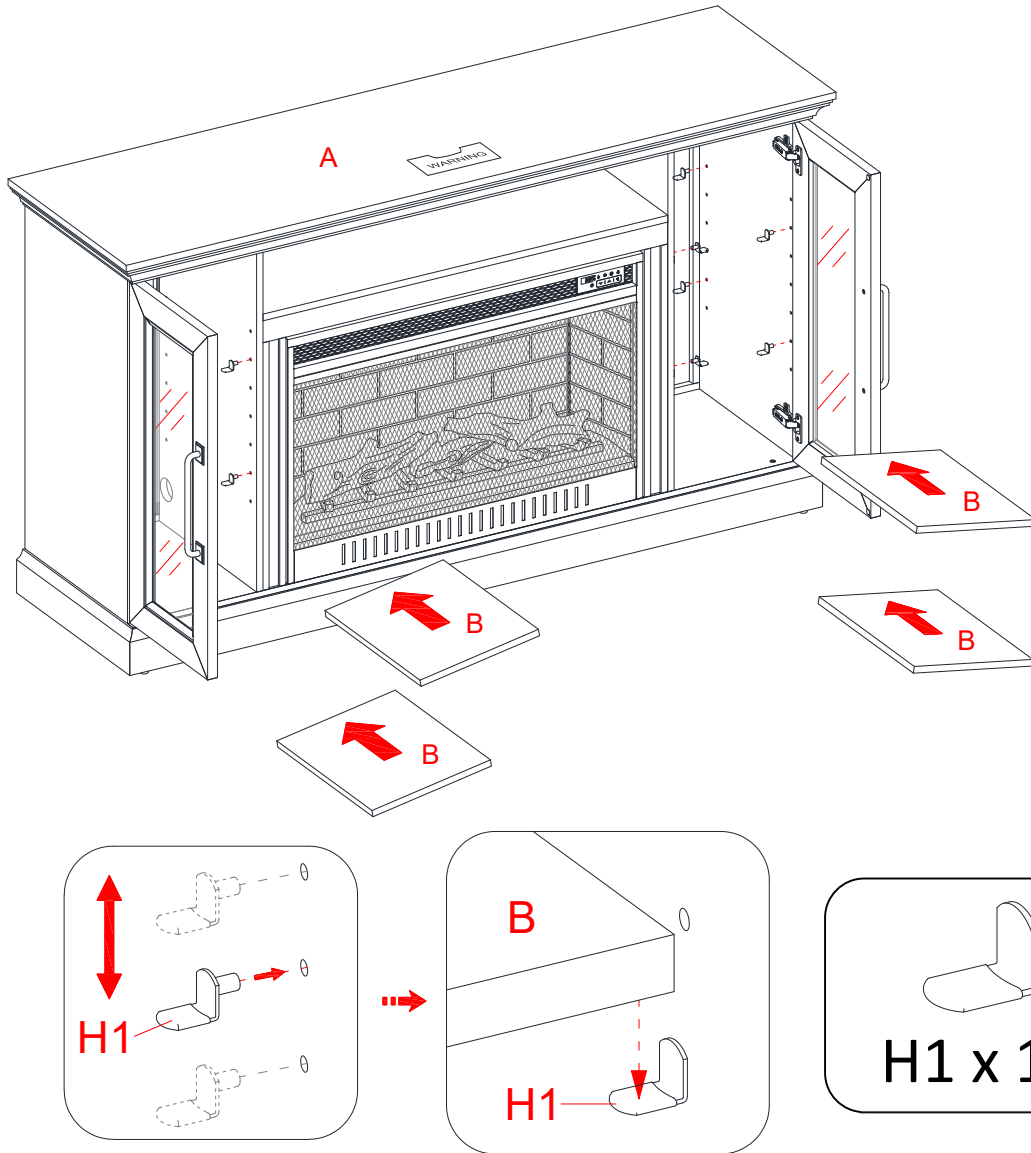
<p>Shelf Support (H1) Part No. 00SMFPC3F33-N Qty: 16+1 extra</p> 	<p>Acrylic Stopper (H2) Part No. 00SMFPC3F33-O Qty: 1</p> 	<p>Spare Rubber Liner (H3) Part No. 00SMFPC3F33-I Qty: 1.5m</p> 
<p>Touch-up Pen (H5) Part No. 00SMFPC3F33-Q Qty: 1</p> 	<p>Tipping Restraint Hardware Kit (H6) Part No. 00SMFPC3F33-R Qty: 2</p> 	

## Tools

<p>Hex Wrench (H4) Part No. 00SMFPC3F33-P Qty: 1</p> 	<p>Phillips Screwdriver (Not Included)</p> 	<p>Stud Finder (Not Included)</p> 	<p>Power Drill (Not Included)</p>  <p>3 mm 1/8"</p>
--	--	---	--

Need Assistance? Visit us at: [samsclub.com/membersmarkhelp](http://samsclub.com/membersmarkhelp)

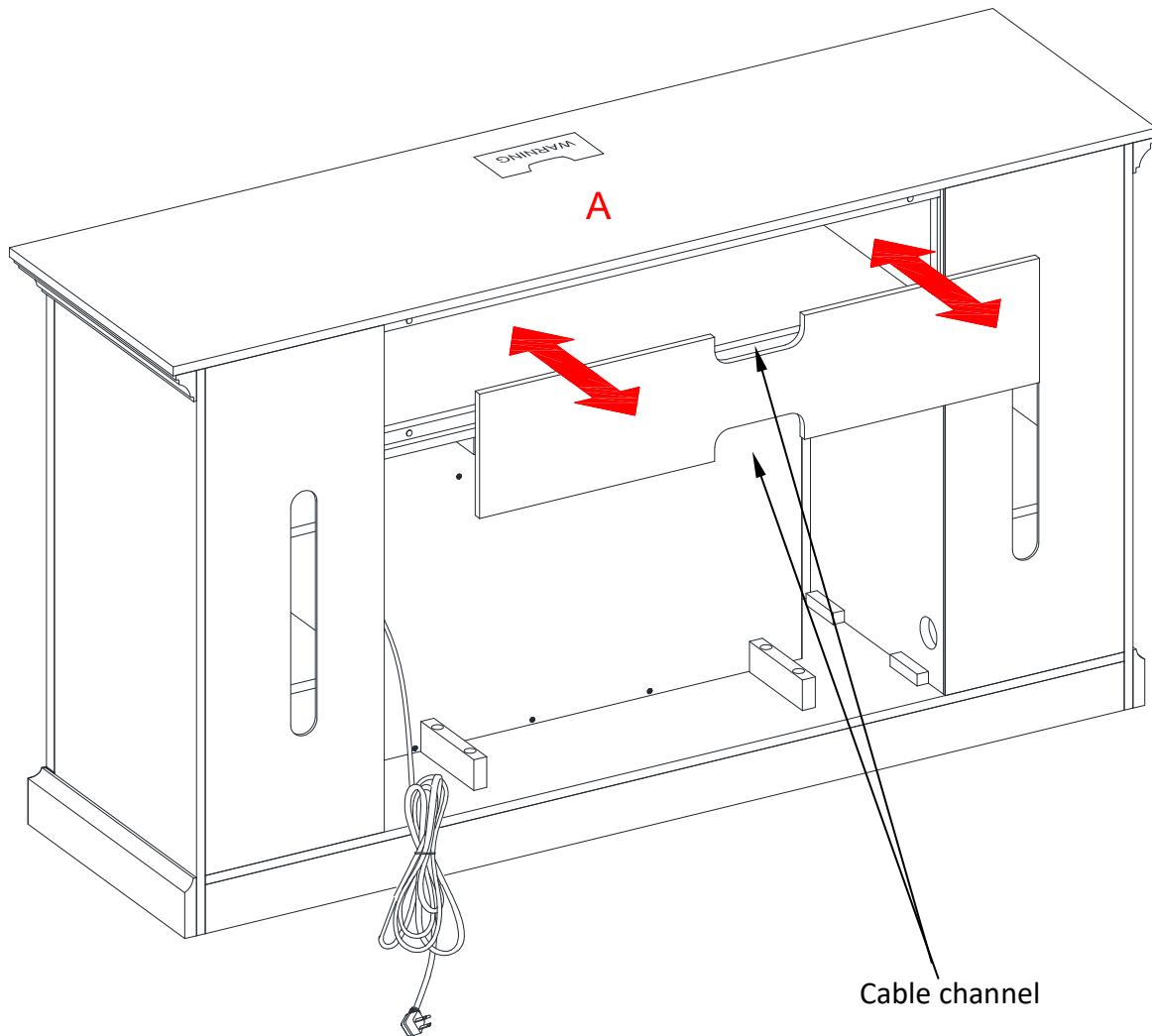
## Step 1



- Unpack the units and confirm that you have all hardware and required parts.
- Open the doors and insert eight Shelf Supports (H1) in the holes at the desired height inside each compartment. Make sure you place the four Shelf Supports at the same level, so the shelf is not tilted.
- Tilt and rest the Adjustable Shelves (B) onto the Shelf Supports (H1).

Need Assistance? Visit us at: [samsclub.com/membersmarkhelp](https://www.samsclub.com/membersmarkhelp)

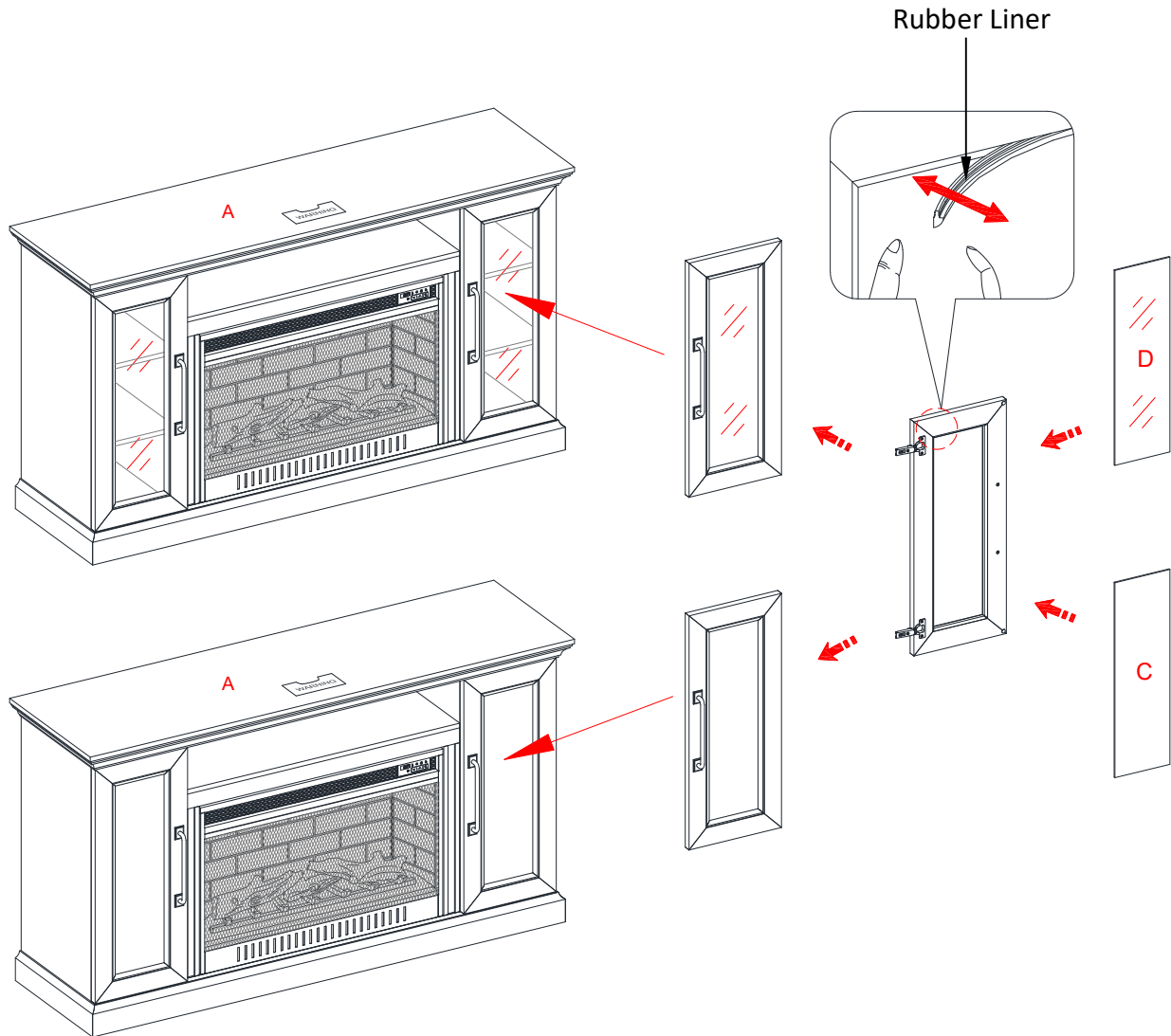
## Step 2



- a) The vented rear panel is removable for easy access to audio and video component hook-up. Be sure to route the cables through the cutout.

Need Assistance? Visit us at: [samsclub.com/membersmarkhelp](http://samsclub.com/membersmarkhelp)

## Step 3

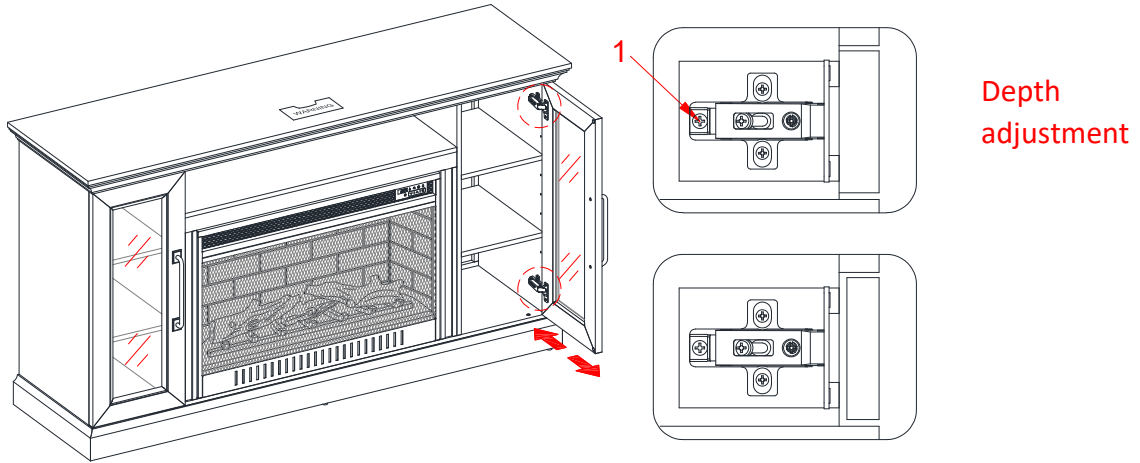


- a) The Glass Door Panels (D) are pre-attached when shipping. You can keep as they are or interchange with Wood Door Panels (C).

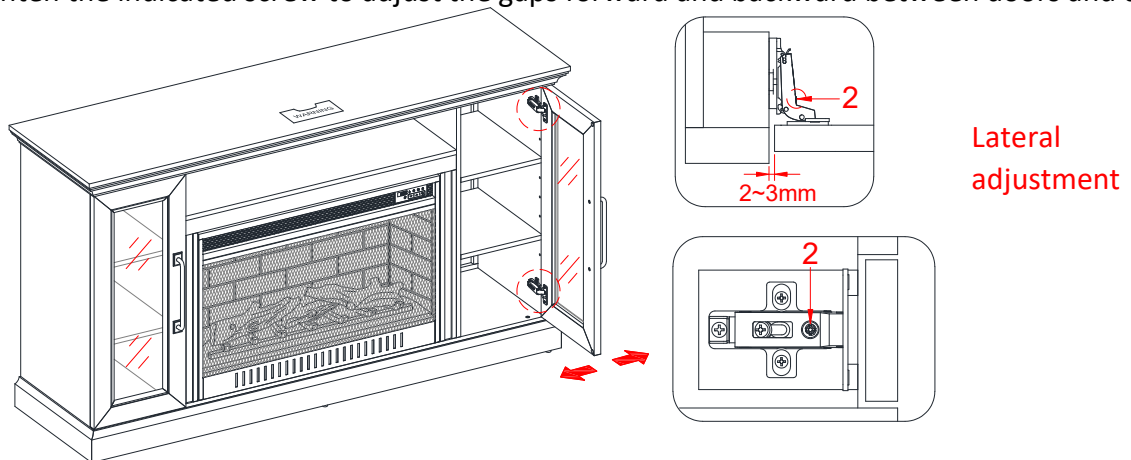
Need Assistance? Visit us at: [samsclub.com/membersmarkhelp](http://samsclub.com/membersmarkhelp)



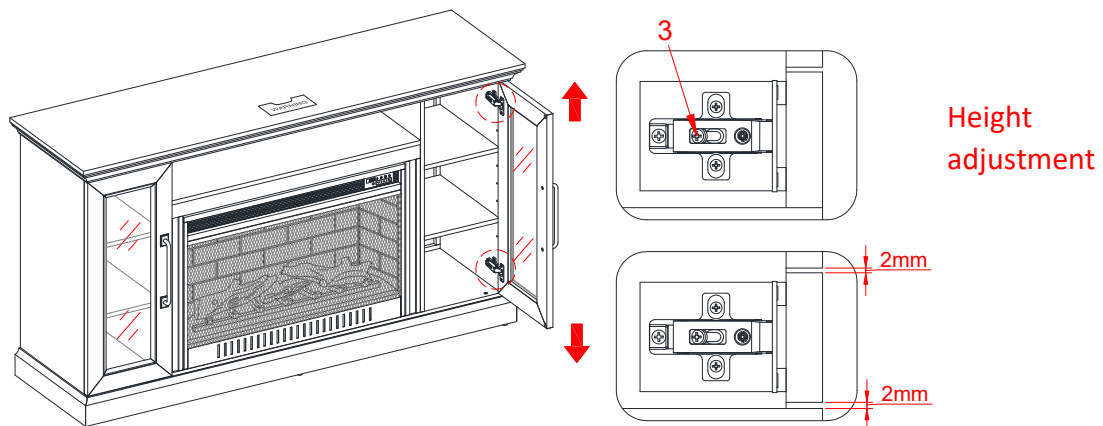
## Step 4 - Hinge adjustment



a) Loosen or tighten the indicated screw to adjust the gaps forward and backward between doors and console.



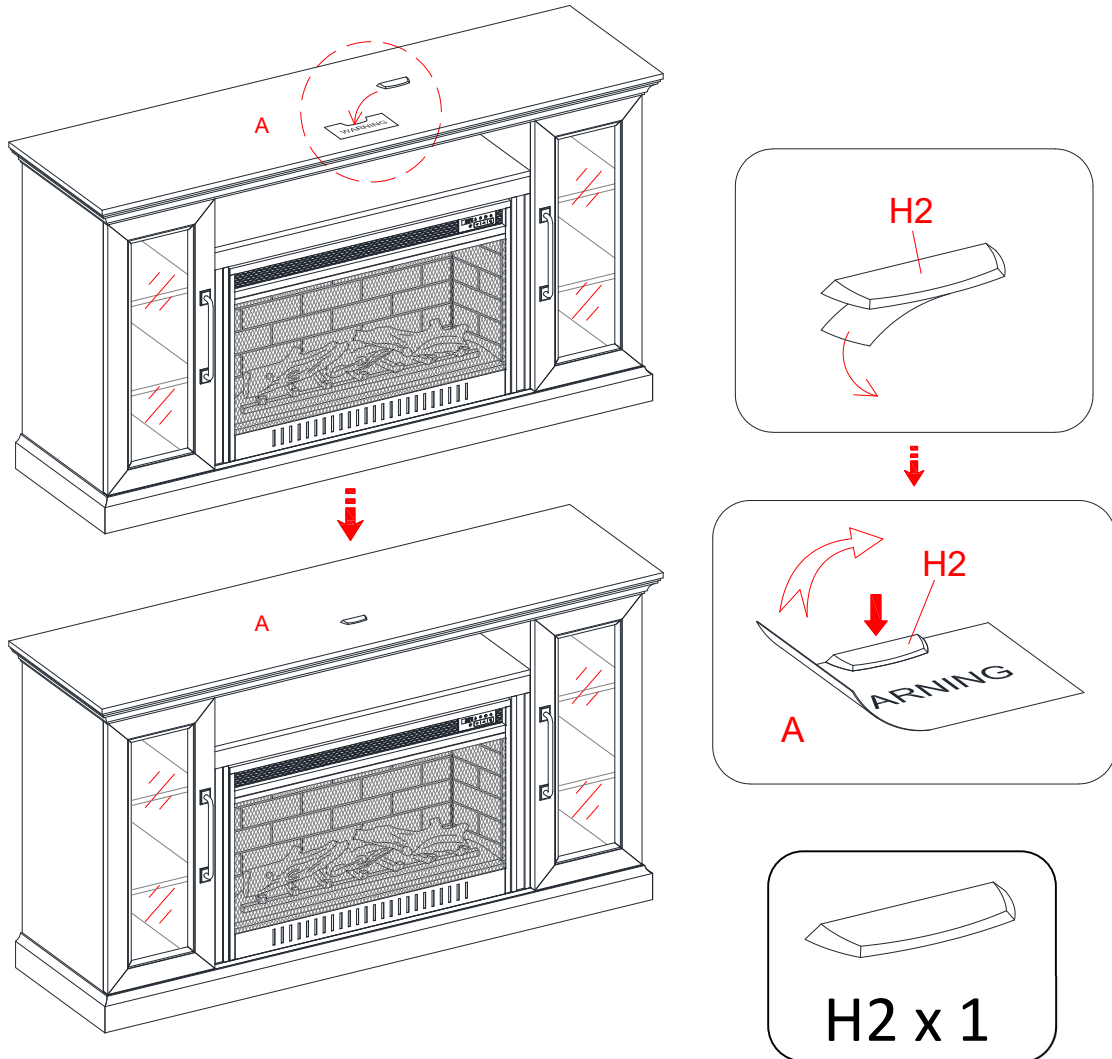
b) Rotate the screw clockwise or counterclockwise to adjust the door horizontally as shown.



c) Loosen or tighten the indicated screw to adjust the door vertically to the desired position.

Need Assistance? Visit us at: [samsclub.com/membersmarkhelp](http://samsclub.com/membersmarkhelp)

## Step 5



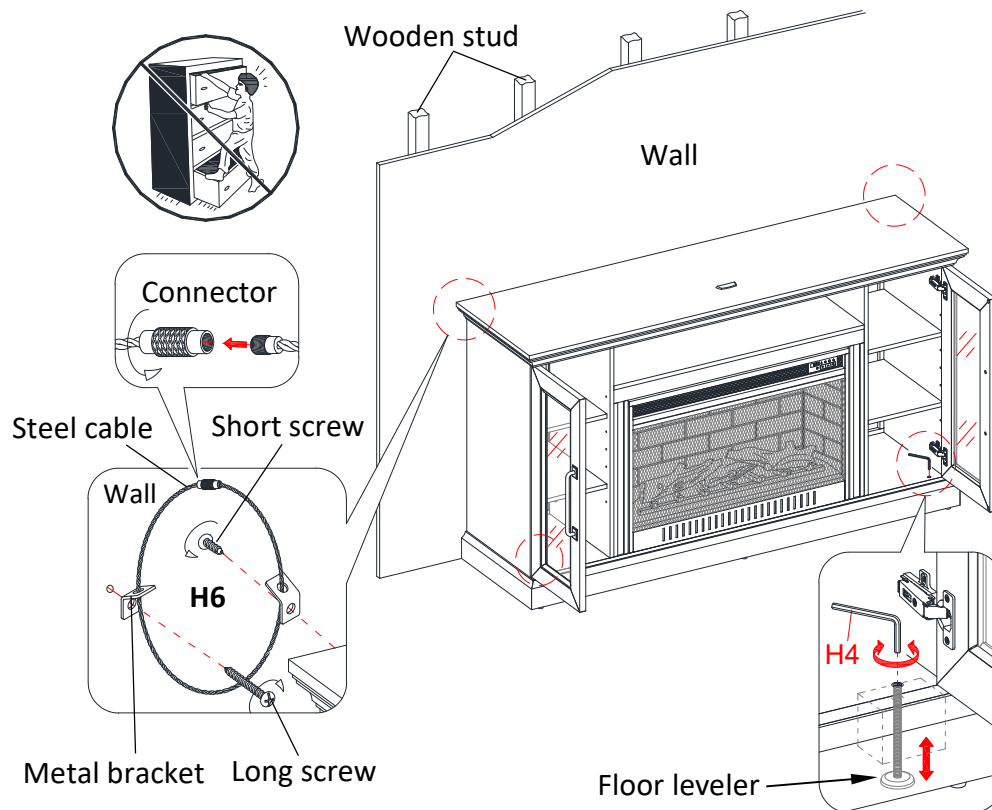
**NOTE:** To prevent your TV from tipping, you must follow these instructions if you place a flat panel television on top of your console. Otherwise, remove the acrylic stopper template directly.

- Remove the paper backing from the Acrylic Stopper (H2) and place it in the cut-out of the acrylic stopper template on the front of the top panel. Make sure it is properly aligned before applying pressure.
- Now, remove the acrylic stopper template carefully.

**Need Assistance? Visit us at: [samsclub.com/membersmarkhelp](http://samsclub.com/membersmarkhelp)**

# Assembly Instructions & User's Manual

## Step 6



- Ask for assistance to position the assembled unit at the desired location against a wall. Open the door and you will see a hole at each front corner of the base, use the enclosed Hex Wrench (H4) to turn the leveler and adjust the height of the unit, until the unit is level.
- Now, follow the instructions printed on the plastic bag containing the Tipping Restraint Hardware (H6) to attach the tip-over restraints to the unit and the wall.
- Connect the fireplace to the power transformer. Follow the operating manual for the electric fireplace insert to control your fireplace.

## **WARNING**

- Unit must be placed on a level surface or leveled with included hardware (when applicable).
- Do not sit or stand on or allow children to climb, sit or stand on the assembled product.
- For safety reasons, it is imperative that this unit be mounted to the wall.
- Do not use without installing the tip restraint.
- Unit can tip over causing severe injury or death.
- Do not exceed the recommended weight limits.
- Evenly distribute the weight on each level and always keep the heavier loads on the bottom.
- Before cutting, drilling or hammering into any wall or floor surface, verify the location of electrical, plumbing and gas lines. Cutting may cause serious injury.

Need Assistance? Visit us at: [samsclub.com/membersmarkhelp](http://samsclub.com/membersmarkhelp)

# Assembly Instructions & User's Manual

## Warning

Please use your furniture correctly and safely. Improper use can cause safety hazards, or damage to your furniture or household items. Carefully read the following safety information.

This unit is not intended for use with CRT TVs. The top surface maximum weight capacity is 100 lb. (45.4 kg) and maximum load 75 in. (190.5 cm) diagonal flat-panel TV. The shelf maximum recommended weight allowance is 50 lb. (22.7 kg). Use with heavier televisions may result in instability causing tip over resulting in death or serious injury.

Death or serious injury may occur when children climb on audio and/or video equipment furniture. A remote control or toys placed on the furnishing may encourage a child to climb on the furnishing and as a result may tip over onto the child.

**NEVER** allow children to climb or play with the TV or furnishing supporting the TV.

**NEVER** place toys, food, remote, etc. on top of the TV or TV furnishing.

**ALWAYS** use either the safety hardware as instructed or other wall anchoring device.

Relocating audio and/or video equipment to furniture not specifically designed to support audio and/or video equipment may result in death or serious injury due to furniture collapse or over turning onto a child.

**NEVER** place a TV on furniture that is not intended to support a TV.

**NEVER** exceed the maximum size and weight of the TV shown in the instructions.

Be sure to refer to the TV warning label as shown in the instructions.

Overloading drawers and shelves may result in furniture that can break or sag, or tip-over which may result in injury.

**NEVER** exceed the weight limits shown in the instructions.

Place the heavier items on lower shelves as far back from the front as possible.

Load the bottom surfaces first to avoid top-heavy furniture.

Moving furniture that is not designed to be moved or equipped with casters may result in injury or damage to furnishings or personal property.

**ALWAYS** unload shelves and drawers, starting with the top surfaces, before moving.

**NEVER** push or pull furniture on carpet. Have a friend help lift properly to move and/or reposition it.

The unit is not meant as a seat and no one should be sitting or standing on the top panel.

Clean the metal trim using a soft cloth, slightly dampened with citrus oil-based product and buff with a clean, soft cloth. DO NOT use brass polish or household cleaners as these products will damage the metal trim. Citrus oil-based products can be obtained at supermarkets or hardware stores.



# Assembly Instructions & User's Manual

## Danger

Improper connection of the equipment-grounding conductor can result in a risk of electric shock. Check with qualified electrician or serviceman if you are in doubt as to whether the product is properly grounded. Do not modify the plug provided with the product – If it will not fit the outlet; have a proper outlet installed by qualified electrician.

## Troubleshooting

Problem	Possible Cause	Prevention / Solution
Tilting / wobbling	Surface not level	Adjust the floor levelers
Scratches / Nicks	Assembly or shipping damage	Use the touch-up pen to cover
Doors are not level	Hinges are not engaged properly	Refer to the hinge sticker for adjustment

## Care & Use Instructions

Care	Use a soft, clean cloth that will not scratch the surface when cleaning.
	Use of furniture polish is not necessary. Should you choose to use polish, test first in an inconspicuous area.
Use	Using solvents of any kind on your furniture may damage the finish.
	Never use water to clean your furniture as it may cause damage to the finish.
	Liquid spills should be removed immediately. Using a soft, clean cloth, blot the spill gently. Avoid rubbing.
	Do not place furniture in direct sunlight.

## Storage Instructions

Item SMFPC3F33	<ol style="list-style-type: none"> <li>Carefully place all components into shipping box and/or provided container tape it shut.</li> <li>When not in use, please store your item in a cool, dry place away from sunlight.</li> <li>Exposing your item to excessive heat or humidity may damage your item.</li> </ol>
-------------------	--

## Technical Data

Rated voltage: 120 V ~ 60 Hz  
Rated current: 12.5 A

Rated power input: 1500 W  
Capacity: 100 lb

**Need Assistance? Visit us at: [samsclub.com/membersmarkhelp](http://samsclub.com/membersmarkhelp)**



# Assembly Instructions & User's Manual

## Limited Warranty Information

This product is covered by the Sam's Club Member Satisfaction Guarantee. Please visit [samsclub.com](http://samsclub.com) for more information.

This product's components have a one-year guarantee against defects in material and/or workmanship. If you have any questions regarding the warranty or spare / replacement parts, please call our toll-free number **1-866-942-5362** or email us at [parts@whalenfurniture.com](mailto:parts@whalenfurniture.com).

**NOTE:** Please consider recycling all applicable packaging material.

**Distributed by Sam's West Inc.**  
2101 SE Simple Savings Dr.  
Bentonville, Arkansas 72716-0745  
Made in Vietnam

**Need Assistance? Visit us at: [samsclub.com/membersmarkhelp](http://samsclub.com/membersmarkhelp)**

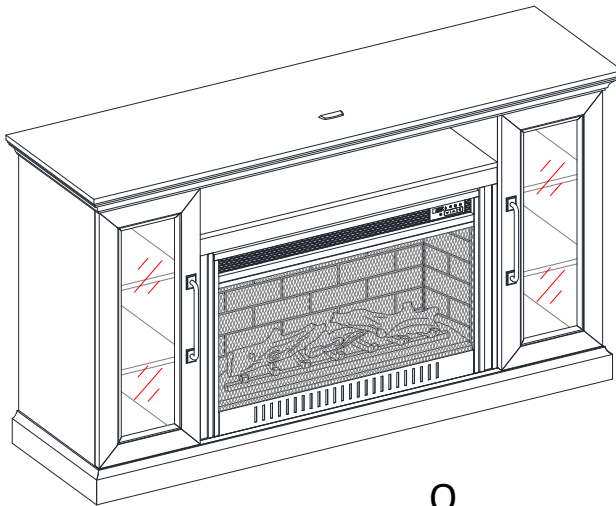


## Consola con chimenea para medios Ridley

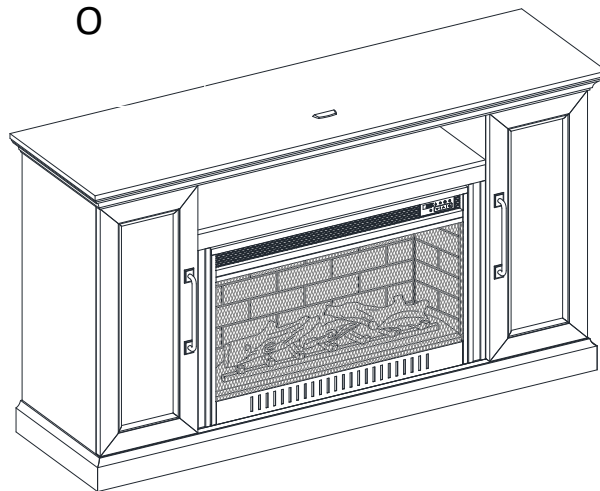
Número del modelo: SMFPC3F33

Asistencia al cliente (partes extras/de repuesto): 1-866-942-5362

o mande un correo electrónico a: [parts@whalenfurniture.com](mailto:parts@whalenfurniture.com)





O



NÚMERO de LOTE: \_\_\_\_\_ FECHA de COMPRA: \_\_\_/\_\_\_/\_\_\_\_\_

**ESTÉ INSTRUCTIVO CONTIENE INFORMACIÓN DE SEGURIDAD IMPORTANTE.  
POR FAVOR LEA Y MANTENGA PARA USO FUTURO.**

## Tabla de contenido

Declaración de calidad .....	3
Información de seguridad importante .....	3
Antes del ensamble .....	3
Cuidado y uso .....	3
Contenidos del paquete .....	4
Información del producto .....	4
Componentes .....	5
Material de ferretería .....	5
Herramientas .....	5
Paso 1 .....	6
Paso 2 .....	7
Paso 3 .....	8
Paso 4 - ajuste de bisagras .....	9
Paso 5 .....	10
Paso 6 .....	11
 Advertencia .....	12
 Peligro .....	13
Solución de problemas .....	13
Instrucciones de cuidado y uso .....	13
Instrucciones de almacenaje .....	13
Información Técnica .....	13





# Instrucciones de ensamble y manual del usuario

## Declaración de calidad

¿Preguntas o Comentarios? Nos gustaría escuchar sobre su experiencia Member's Mark!

Visitenos en: [Samsclub.com/membersmarkhelp](https://samsclub.com/membersmarkhelp)

## Información de seguridad importante

- Por favor lea todas las instrucciones antes de ensamblar el mueble.
- Donde se pueda, y por su seguridad, se recomienda el ensamble por un adulto.
- Use solo ferretería suplida por el vendedor para ensamblar la unidad. El uso de ferretería no autorizada podría poner en riesgo la integridad estructural de la unidad.
- La ferretería se podría aflojar con el tiempo. Revisar periódicamente que las conexiones estén apretadas
- **NOTA:** Para prevenir lesiones o daños de inclinación inesperada del mueble, nosotros recomendamos instalar el juego contra inclinación (volteo) incluido en este producto.

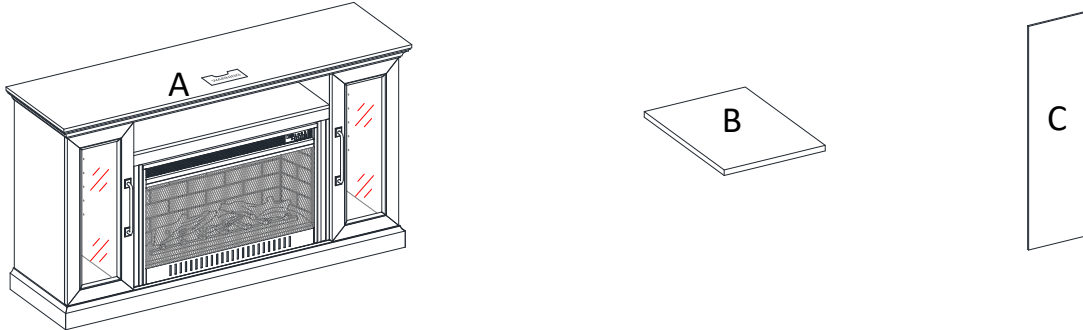
## Antes del ensamble

- Retirar todas las partes y ferretería de la caja. Poner todo sobre una alfombra o en un are libre de rasguños, para evitar daños a las partes durante el ensamble.
- La caja de envío provee una superficie ideal de trabajo.
- Para evitar el desecho accidental de partes o ferretería pequeñas, no tire ningún paquete o contenidos del paquete hasta terminar el ensamble.
- Usar las listas de partes y ferretería para identificar y separar cada una de las piezas incluidas.
- El uso de herramientas eléctricas no está recomendado, a menos que se especifique. Estas herramientas pueden dañar la ferretería o la madera.
- No apretar completamente los pernos/sujetadores hasta que las partes estén en su lugar. La falla de seguir estas instrucciones puede causar que los pernos/sujetadores se desalineen durante el ensamble.

## Cuidado y uso

- Use una toalla suave y limpia para evitar daños y rayaduras.
- Uso de cera para pulir muebles no es necesario. Si desea usar cera cheque en un área que no sea visible para verificar su funcionamiento.
- Usar solventes de cualquier tipo puede dañar el terminado del mueble.
- Nunca use agua para limpiar la unidad, ya que le puede dañar el acabado.
- Líquidos derramados deben limpiarse inmediatamente, con una toalla suave evitando tallar.
- No poner el mueble en luz solar directa.

## Contenidos del paquete

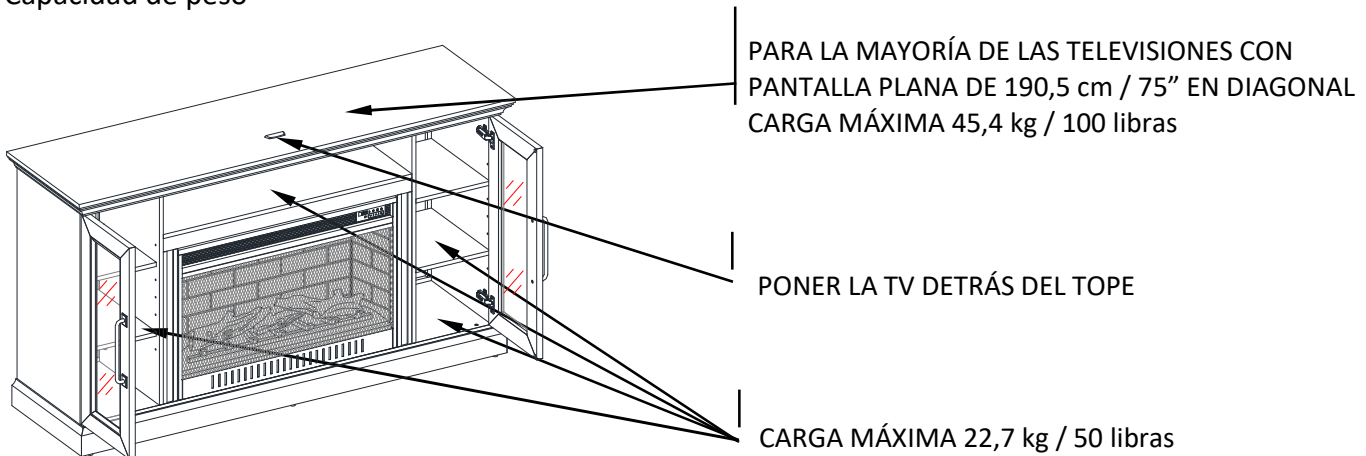


Componente	Descripción	Cantidad
A	Chimenea	1
B	Repisa ajustable	4
C	Inserto para puerta de madera	2

## Información del producto

Dimensiones – 66" x 19" x 37" (167,6 cm x 48,3 cm x 94 cm)

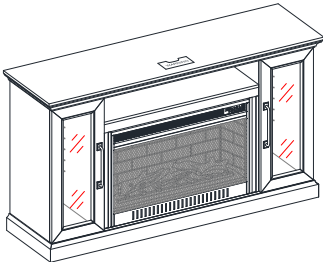
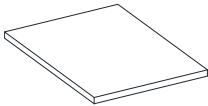


Capacidad de peso



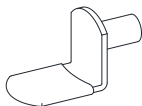



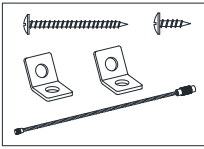
### **ADVERTENCIA**

ESTA UNIDAD NO DEBE UTILIZARSE CON TELEVISIONES CRT O DE TUBO. UTILIZARSE ÚNICAMENTE CON TELEVISIONES DE PANTALLA PLANA Y EQUIPO DE AUDIO/VIDEO QUE TENGA LA MEDIDA/PESO RECOMENDADO. NUNCA UTILIZAR CON TELEVISIONES MÁS GRANDES/PESADAS DE LAS RECOMENDADAS. PARA EVITAR INESTABILIDAD COLÓQUELA EN EL CENTRO DE LA UNIDAD; LA BASE DE LA TELEVISIÓN DEBE DE REPOSAR SOBRE LA SUPERFICIE DE SOPORTE DE LA UNIDAD SIN REBASAR LAS ORILLAS. LAS TELEVISIONES DE PANTALLA PLANA COLOCADAS INAPROPIADAMENTE, O LAS TELEVISIONES DE PANTALLA PLANA INCLUYENDO EQUIPO QUE SOBREPASA LAS MEDIDAS Y PESOS RECOMENDADOS PUEDEN CAERSE Y/O ROMPER LA UNIDAD, CAUSANDO POSIBLES DAÑOS O LESIONES. PARA USO DE TELEVISIONES DE HASTA 100 LIBRAS (45,4 KG) O MENOS. USO CON TELEVISIONES DE MAYOR PESO PUEDE RESULTAR EN INESTABILIDAD CAUSANDO QUE LA UNIDAD CAIGA, PROVOCANDO EN ALGUNOS CASOS DAÑOS O MUERTE.

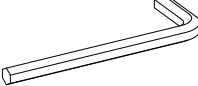
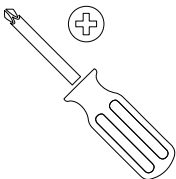

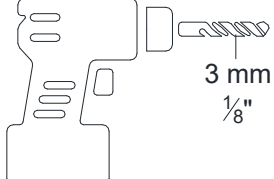
## Componentes

<p>Componente A # de parte. no disponible Cantidad: 1</p> 	<p>Componente B # de parte. 00SMFPC3F33-B Cantidad: 4</p> 	<p>Componente C # de parte. 00SMFPC3F33-C Cantidad: 2</p> 	<p>Componente D <b>(Pre-adjuntado)</b> # de parte. 00SMFPC3F33-D Cantidad: 2</p> 
---	---	--	--

## Material de ferretería

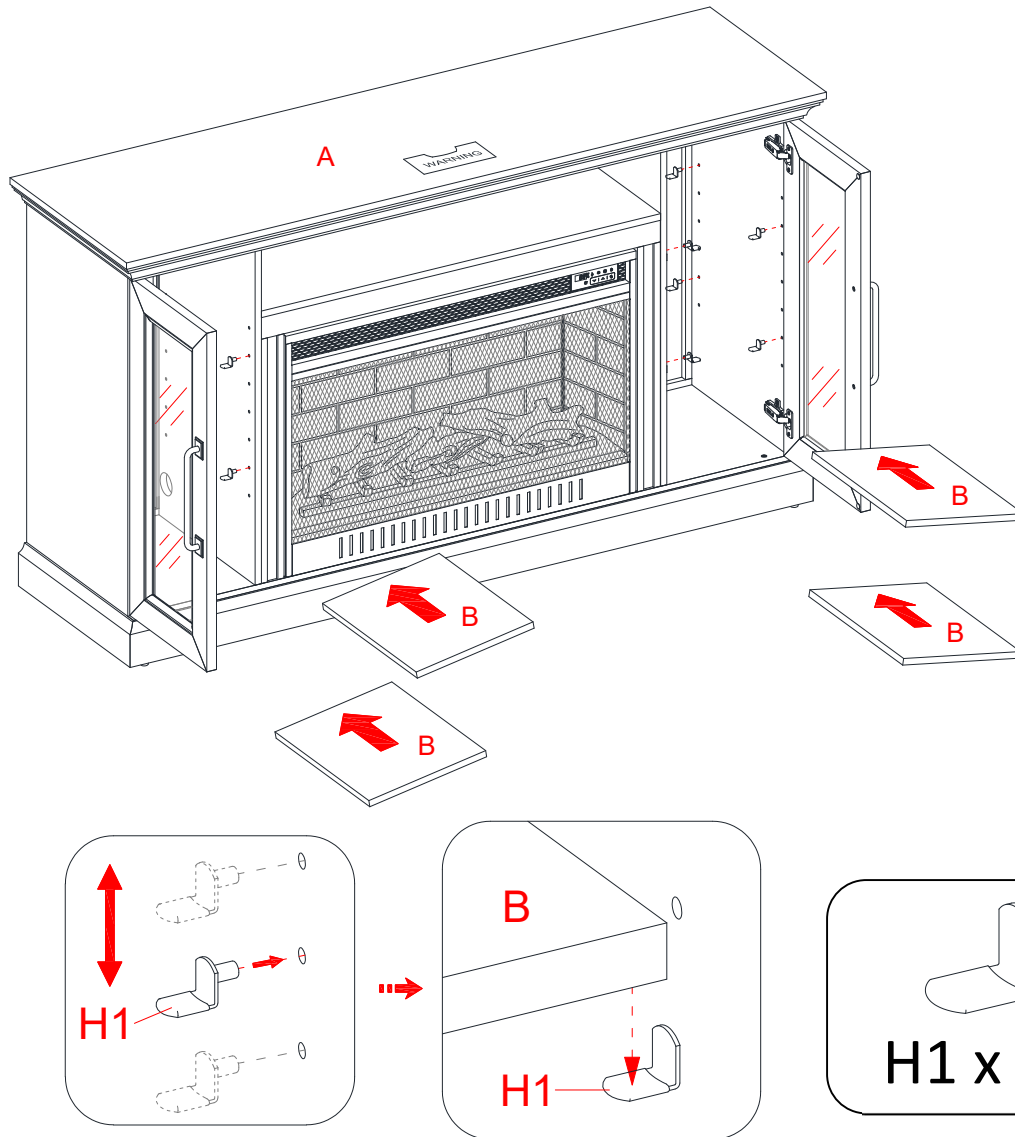
<p>Soporte de repisa (H1) # de parte: 00SMFPC3F33-N Cantidad: 16+1 extra</p> 	<p>Tope de acrílico (H2) # de parte: 00SMFPC3F33-O Cantidad: 1</p> 	<p>Revestimiento de goma de repuesto (H3) # de parte: 00SMFPC3F33-I Cantidad: 1,5m</p> 
<p>Bolígrafo de retoque (H5) # de parte: 00SMFPC3F33-Q Cantidad: 1</p> 	<p>Juego de restricción de movimiento (H6) # de parte: 00SMFPC3F33-R Cantidad: 2</p> 	

## Herramientas

<p>Llave hexagonal (H4) # de parte: 00SMFPC3F33-P Cantidad: 1</p> 	<p>Desarmador estrella (no incluido)</p> 	<p>Buscador de vigas (no incluido)</p> 	<p>Taladro (no incluido)</p>  <p>3 mm 1/8"</p>
---	--	---	---

¿Necesita asistencia? Visítenos en: [samsclub.com/membersmarkhelp](http://samsclub.com/membersmarkhelp)

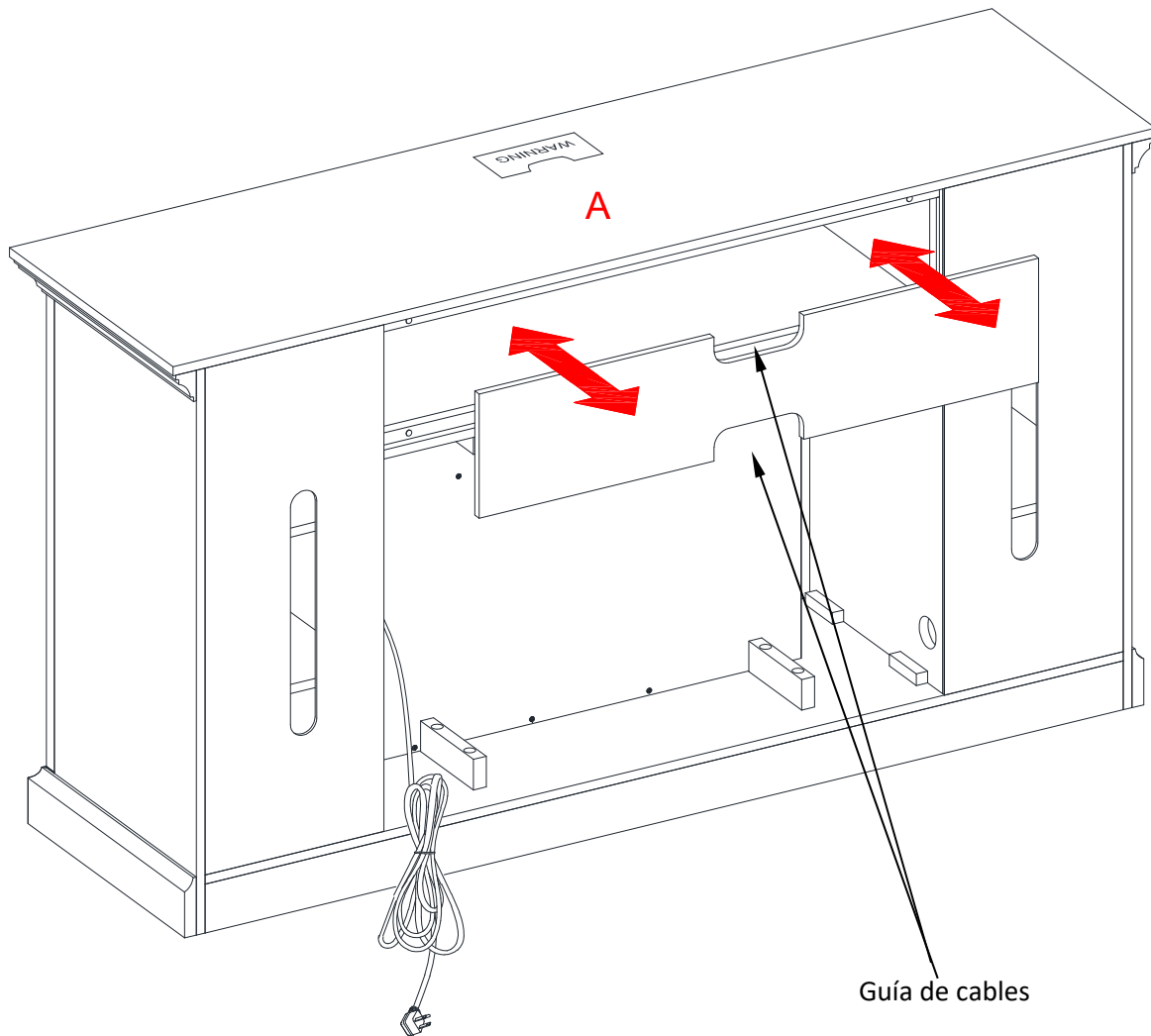
## Paso 1



- Desempacar la unidad y confirmar que se tiene todo el material de ferretería y partes requeridas.
- Abrir las puertas e insertar 8 soportes de repisa (H1) en los agujeros en las alturas deseadas adentro de cada compartimiento. Asegurar de poner los cuatro soportes de repisa en el mismo nivel para que la repisa no esté inclinada.
- Voltear y descansar las repisas ajustables (B) sobre los soportes de repisa (H1).

¿Necesita asistencia? Visítenos en: [samsclub.com/membersmarkhelp](http://samsclub.com/membersmarkhelp)

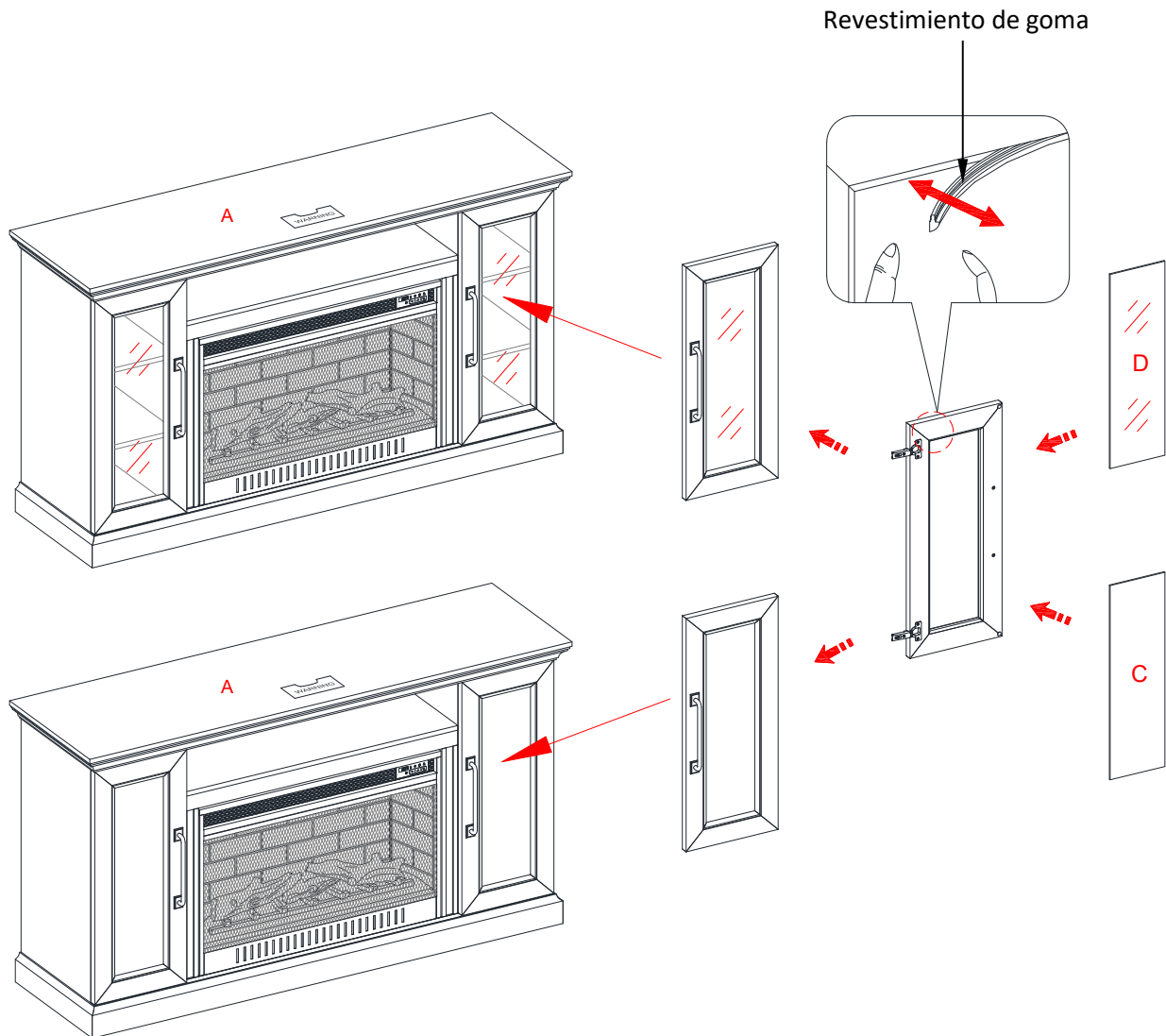
## Paso 2



- a) El panel posterior ventilado es retirable para acceso fácil al enchufe del componente de audio y video. Asegúrese de encaminar los cables a través del recorte.

¿Necesita asistencia? Visítenos en: [samsclub.com/membersmarkhelp](https://samsclub.com/membersmarkhelp)

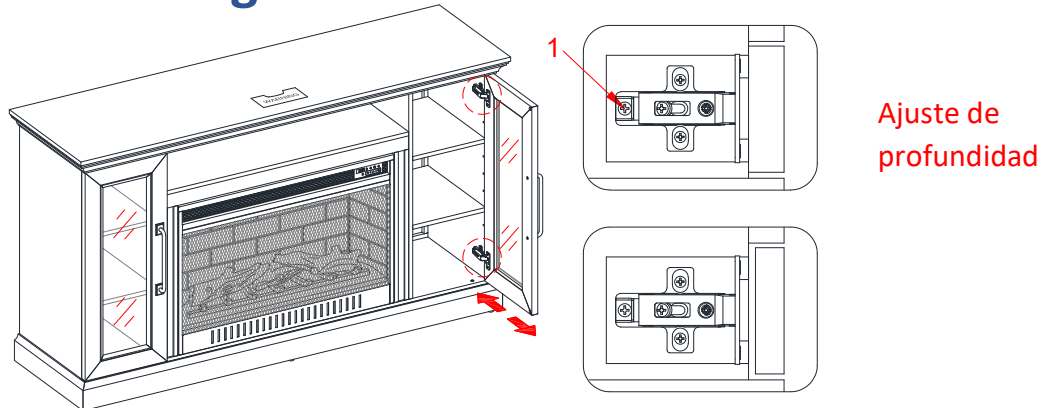
## Paso 3



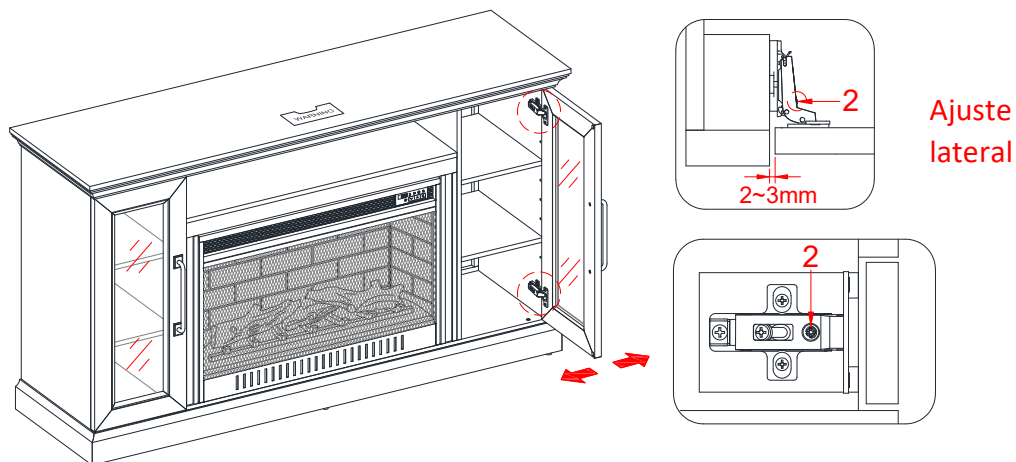
- a) Los paneles de vidrio para la puerta (D) están pre-adjuntados para él envío. Usted puede mantenerlos así o intercambiarlos con los paneles de madera para la puerta (C).

¿Necesita asistencia? Visítenos en: [samsclub.com/membersmarkhelp](http://samsclub.com/membersmarkhelp)

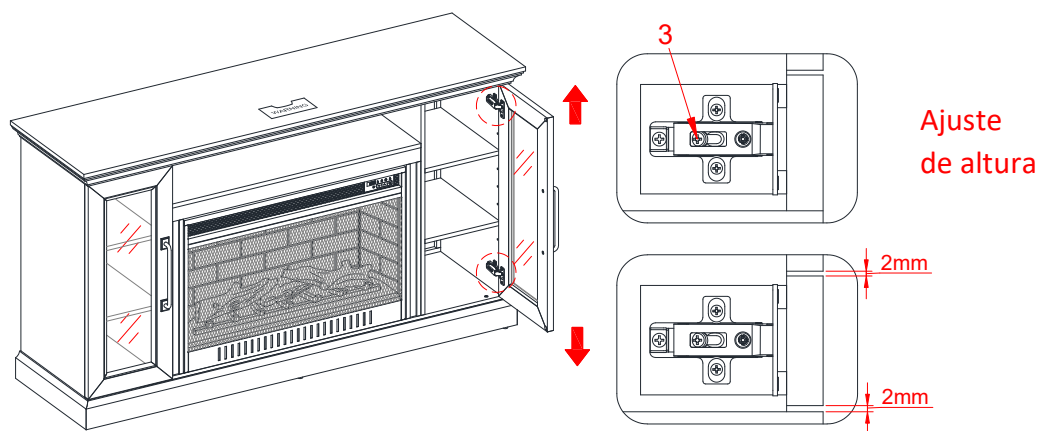
## Paso 4 - ajuste de bisagras



a) Aflojar o apretar el perno indicado para ajustar los espacios frontales y posteriores entre las puertas y la consola.



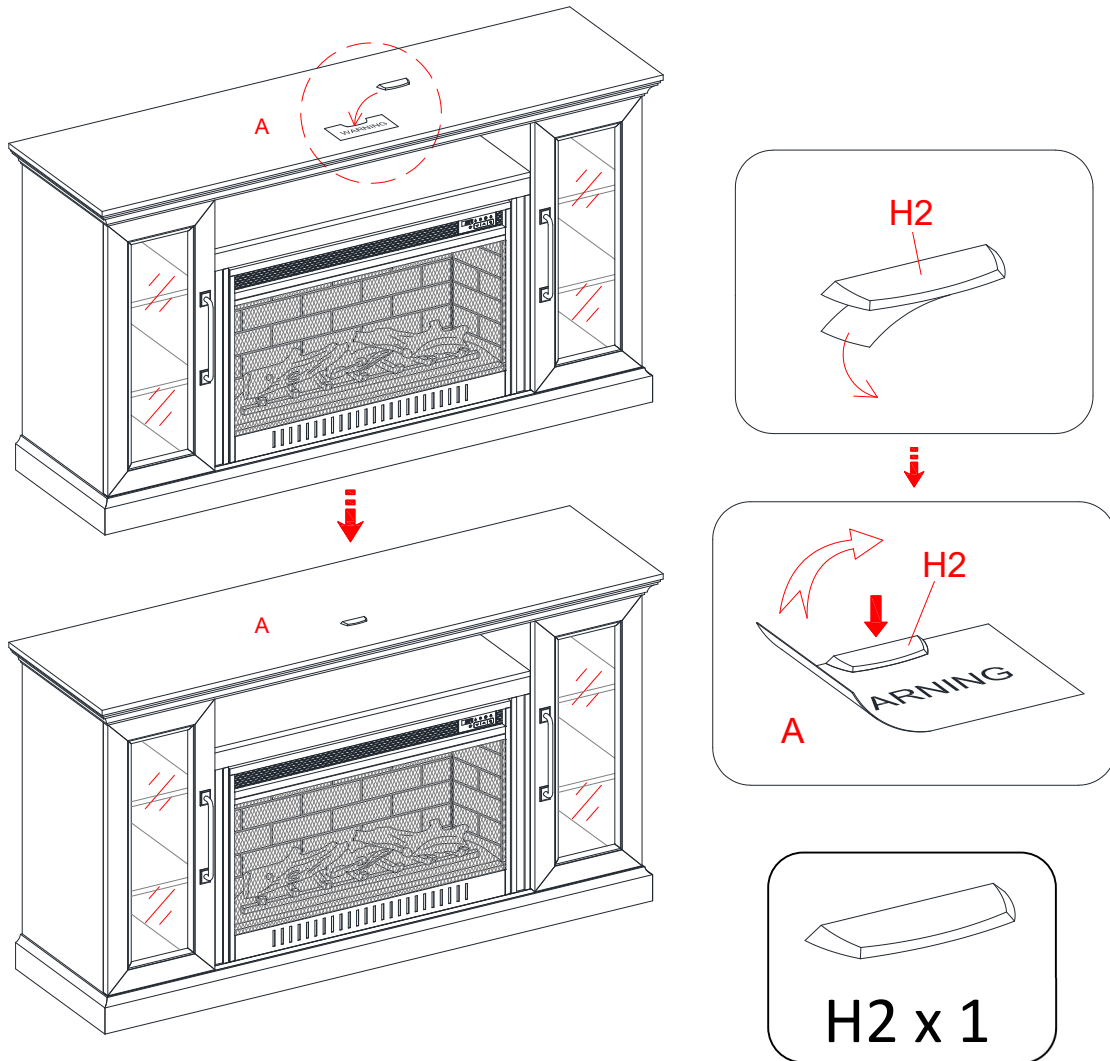
b) Rotar el perno a la derecha o a la izquierda para ajustar la puerta horizontalmente.



c) Aflojar o apretar el perno indicado para ajustar la puerta verticalmente.

¿Necesita asistencia? Visítenos en: [samsclub.com/membersmarkhelp](https://www.samsclub.com/membersmarkhelp)

## Paso 5



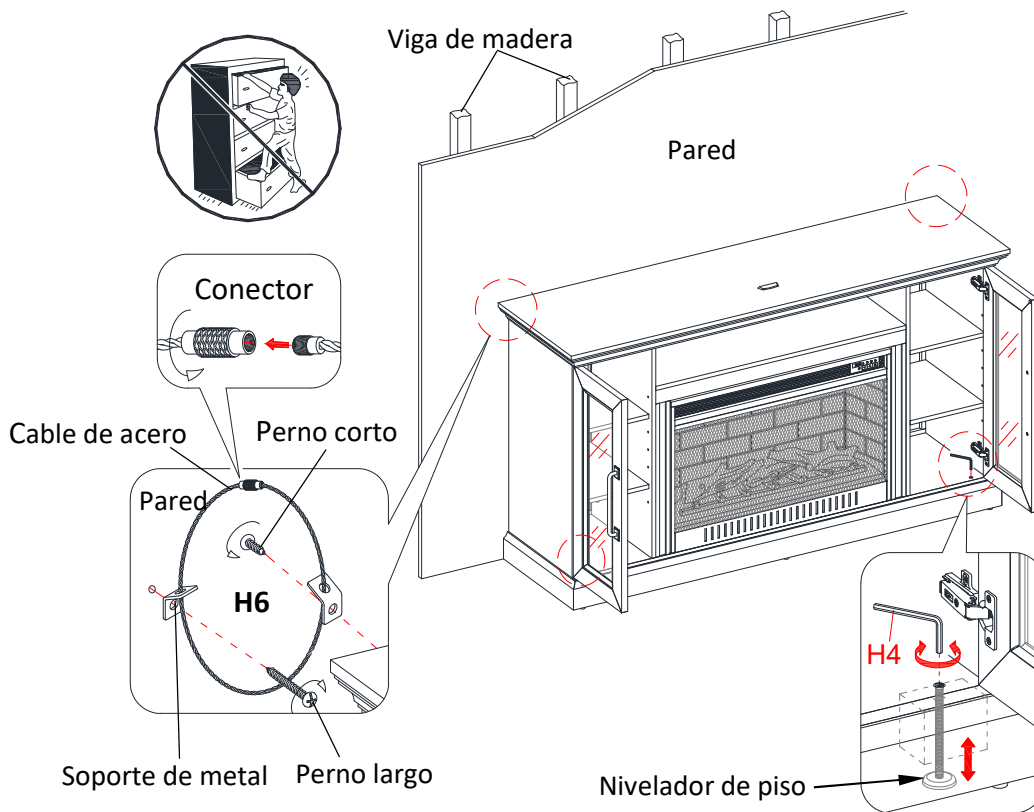
**NOTA:** Para prevenir la inclinación de su TV, usted debe seguir las instrucciones para poner la TV de pantalla plana sobre la consola. De otra manera, retirar el templado del tope de acrílico directamente.

- Retirar el papel del tope de acrílico (H2) y poner en su lugar en el recorte del templado del tope de acrílico en la parte frontal del panel superior. Asegurar que este alineado apropiadamente antes de aplicar presión.
- Ahora, retirar el templado del tope de acrílico cuidadosamente.

¿Necesita asistencia? Visítenos en: [samsclub.com/membersmarkhelp](http://samsclub.com/membersmarkhelp)



## Paso 6



- Pedir asistencia para posicionar la unidad ensamblada en el lugar deseado contra la pared. Abrir la puerta y usted mirara un agujero en cada esquina frontal de la base, usar la llave hexagonal provista (H4) para voltear el nivelador y ajustar la altura de la unidad, hasta que la unidad este nivelada.
- Ahora, siga las instrucciones impresas en la bolsa de plástico que contienen el Juego de restricción de movimiento (H6) para adjuntar los frenos de movimiento a la unidad y a la pared.
- Conectar la chimenea al transformador de poder. Siga el manual de operación del inserto de chimenea eléctrica para controla su chimenea.



## ADVERTENCIA

- La unidad debe estar en una superficie a nivel o nivelada con el material de ferretería incluido (cuando aplique).
- No sentarse o parase o permitir que niños se trepan, sienten, o paren en el producto ensamblado.
- Por razones de seguridad, es imperativo que la unidad se monte a la pared.
- No usar sin instalar los topes de movimiento.
- La unidad se puede caer causando lesiones graves o la muerte.
- No exceder los límites de peso recomendado.
- Distribuir a nivel el peso en cada parte y siempre poner las cargas mayores abajo.
- Antes de cortar, perforar, o martillar en cualquier pared o piso, verificar el lugar de las líneas de electricidad, de agua, y de gas. Cortar puede causar lesiones graves.

¿Necesita asistencia? Visítenos en: [samsclub.com/membersmarkhelp](http://samsclub.com/membersmarkhelp)

## Advertencia

Por favor use sus muebles de forma correcta y seguramente. El uso inapropiado puede causar riesgos a la seguridad, o daños a sus muebles u objetos de hogar. Leer cuidadosamente la siguiente información de seguridad.

Esta unidad no debe utilizarse con TVs CRT. La carga máxima de la superficie superior es 100 libras (45,4 kg) y puede aguantar una TV de pantalla plana de 75 pulgadas. (190,5 cm) diagonal. La carga máxima de la repisa es 50 libras (22,7 kg). El uso con TVs de mayor peso puede resultar en inestabilidad causando que la unidad caiga, causando en algunos casos daños o muerte.

La muerte o lesiones serias pueden ocurrir cuando los niños se trepan al equipo de audio y/o video del mueble. Un control remoto o juguetes puestos sobre el mueble pueden animar a un niño a treparse al mueble y causar que el mueble se caiga sobre el niño.

**NUNCA** permita que niños se trepen o jueguen con la TV o equipo de soporte para TV.

**NUNCA** poner juguetes, comida, controles, etc. sobre la TV o el mueble.

**SIEMPRE** use el equipo de seguridad como se indica u otro equipo de anclaje para pared.

La reubicación del equipo de audio y/o video a un mueble no diseñado para apoyar equipos de audio y/o video puede resultar en la muerte o lesiones serias debido al colapso del mueble o a que se caiga sobre un niño.

**NUNCA** poner la TV sobre muebles que no soportan una TV.

**NUNCA** exceder el tamaño o peso máximo de la TV mostrada en las instrucciones.

Asegúrese de consultar la etiqueta de aviso de la TV mostrada en las instrucciones.

Sobrecargar los cajones y repisas puede resultar en muebles que se rompen o hundan, o se in volqueen resultando en lesiones.

**NUNCA** exceder los límites de peso mostrados en las instrucciones.

Poner los objetos más pesados en las repisas bajas tan lejos del frente como sea posible.

Cargar las superficies inferiores primero para evitar muebles pesados de arriba.

Mover muebles que no están diseñados para ser movidos o equipados con ruedas puede resultar en lesiones o daños al mueble o a objetos personales.

**SIEMPRE** descargar repisas o cajones, empezando con las superficies superiores, antes de mover.

**NUNCA** empujar o jalar el mueble sobre alfombras. Pedir ayuda para levantar el mueble para mover y/o reposicionar.

La unidad no está hecha para ser un asiento y nadie debería estar sentado o parado sobre el panel superior.

Limpiar el borde de metal usando una toalla suave y humedecida con un producto basa en aceite cítrico y pulir con una toalla limpia y suave. NO usar pulimento de latón o limpiadores de casa ya que estos productos dañaran el borde de metal. Productos a base de aceite cítrico se pueden obtener en supermercados o tiendas de ferretería.



# Instrucciones de ensamble y manual del usuario

## Peligro

la conexión inapropiada del conductor a tierra del equipo puede causar riesgo de descarga eléctrica. Consulte a un electricista calificado o personal de mantenimiento si tienes dudas sobre si el producto tiene una puesta a tierra apropiada. No modifique el enchufe incluido con el producto. Si el enchufe no encaja en el tomacorriente, pídale a un electricista calificado que instale el tomacorriente adecuado.

## Solución de problemas

Problema	Posible Causa	Prevención / Solución
Inclinación / tambaleo	La superficie no está nivelada	Ajustar los niveladores de piso
Rayaduras / Cortes	Daños por el ensamble o envío	Utilice el bolígrafo de retoque para cubrir
Las puertas están fuera de nivel.	Las bisagras no están enganchadas apropiadamente	Consultar la etiqueta de las bisagras para ajustar

## Instrucciones de cuidado y uso

Cuidado	Utilice una toalla suave y limpia que no rayara la superficie al limpiar.
	Uso de cera para pulir muebles no es necesario. Si desea usar cera, pruébela en un área que no sea visible para revisar su funcionamiento.
Uso	Usar solventes de cualquier tipo puede dañar el acabado del mueble.
	Nunca use agua para limpiar la unidad, ya que le puede dañar el acabado.
	Líquidos derramados deben limpiarse inmediatamente, con una toalla suave evitando tallar.
	No poner el mueble en luz solar directa.

## Instrucciones de almacenaje

Producto SMFPC3F33	<ol style="list-style-type: none"><li>1. Coloque con cuidado todos los componentes en la caja de envío y/o en el contenedor proporcionado con cinta adhesiva para cerrarla.</li><li>2. Cuando no esté en uso, guarde su artículo en un lugar fresco y seco, lejos de la luz solar.</li><li>3. Exponer su artículo a calor o humedad excesivos puede dañarlo.</li></ol>
--------------------	--

## Información Técnica

Tensión nominal: 120 V ~ 60 Hz

Potencia de entrada nominal: 1500 W

Corriente nominal: 12,5 A

Capacidad: 100 libras

¿Necesita asistencia? Visítenos en: [samsclub.com/membersmarkhelp](http://samsclub.com/membersmarkhelp)



# Instrucciones de ensamble y manual del usuario

## Información de garantía limitada

Este producto está cubierto por la Garantía de satisfacción de los miembros de Sam's Club. Visite [samsclub.com](http://samsclub.com) para obtener más información.

Este producto tiene un (1) año de garantía en contra de defectos en el material y/o la obra de mano. Si usted tiene preguntas sobre la garantía o partes extras/de repuesto, por favor llame a nuestro número de llamada gratuita **1-866-942-5362** o mande un email a [\*\*parts@whalenfurniture.com\*\*](mailto:parts@whalenfurniture.com).

**NOTA:** Por favor considere reciclar todo el material de empaque aplicable.

Distribuido por Sam's West Inc.  
2101 SE Simple Savings Dr.  
Bentonville, Arkansas 72716-0745  
Hecho en Vietnam

¿Necesita asistencia? Visítenos en: [samsclub.com/membersmarkhelp](http://samsclub.com/membersmarkhelp)

