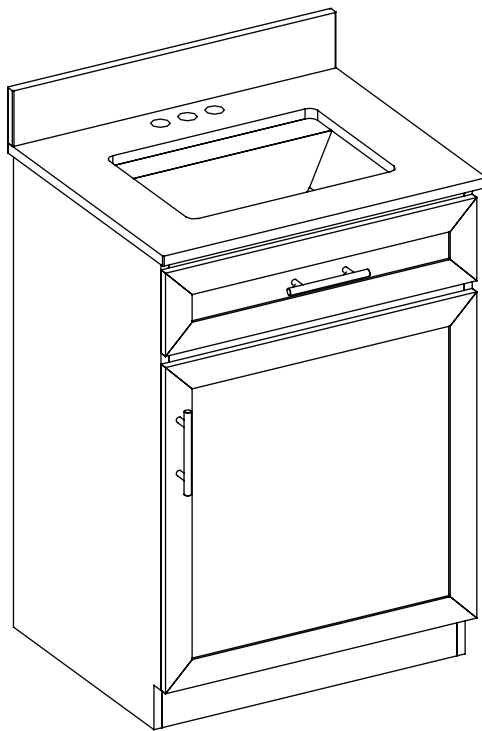


CANVAS^{TM/MC}

DANVILLE 24" (61 CM) HONEY OAK BATHROOM VANITY

PRODUCT NO. 063-6377-8



ASSEMBLY INSTRUCTIONS



HAVING TROUBLE?

TOLL-FREE:

1-888-670-6684

IMPORTANT: Please read this manual carefully before beginning assembly of this product. Keep this manual for future reference.

CANVAS™

INSPIRED BY CANADA



To the trend seekers and design mavens, **CANVAS™** is the furniture and décor brand that helps you imagine and create a space you can be proud of.

That's because **CANVAS™** offers style with ease with products that are **made for real life and Canadian inspired.**

We would love to hear from you and welcome your thoughtful feedback. Visit our website at **canadiantire.ca** to tell us about your experience, and share your photos with us using **#myCANVASstyle.**

Show us how you bring **CANVAS™** products to life. We can't wait to see!

TABLE OF CONTENTS

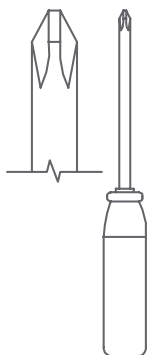
Parts List	4
Before You Begin Assembly	9
Step-by-step Guide	11
Technical Data	21
Troubleshooting	22
Caring for Your Item	22
Warranty	23



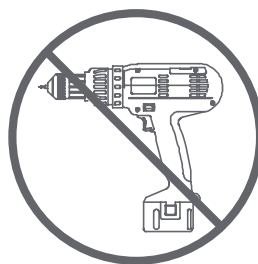
WARNING! TO REDUCE THE RISK OF SERIOUS INJURY, READ THE FOLLOWING SAFETY INSTRUCTIONS BEFORE ASSEMBLING AND USING THE PRODUCT.

- Please read and understand this entire manual before attempting to assemble, operate, or install the product.
- Any assembly or maintenance of the product must be carried out by adults only.
- Some parts may contain sharp edges. Wear protective gloves if necessary.
- To prevent damage, place all parts on a level surface during assembly. Add a layer of protective surface if needed.
- Do not allow your children to climb or jump/rock on furniture due to possible accident, injury or death. A child climbing on a piece of furniture can make it top-heavy and cause the furniture to tip over.
- Keep children and pets away during assembly.
- This unit is intended for use only within the maximum weight indicated. Use with loads heavier than the maximum weight indicated may result in instability causing possible injury.
- Failure to follow these warnings could result in serious injury.

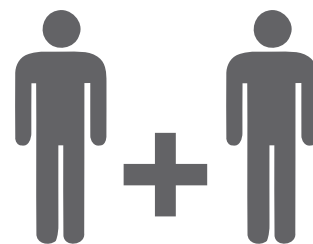
TOOLS REQUIRED



No. 2 Cross-head Screwdriver
Tip Shown Actual Size


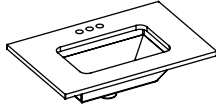

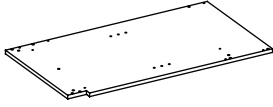





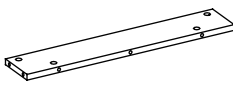
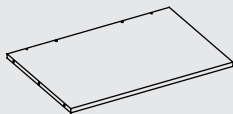
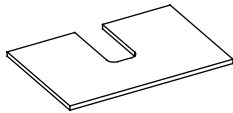
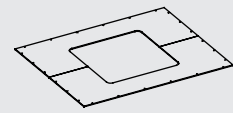


NOTE: Do not over-drill/
be aware of over-drilling


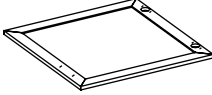
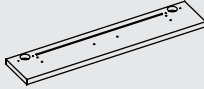
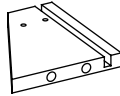
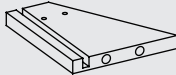



2 People

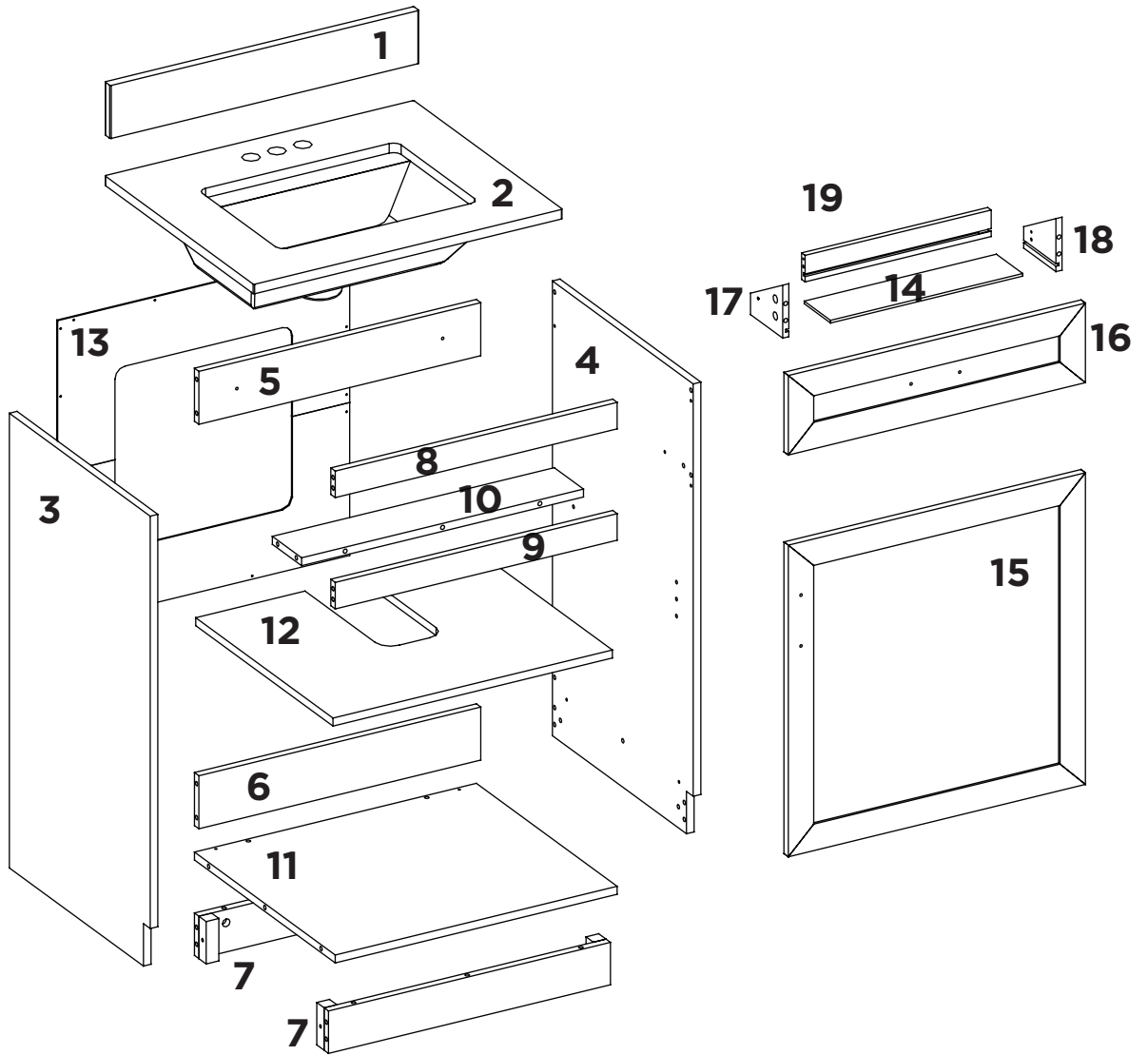
PARTS LIST

ITEM	DESCRIPTION	THUMBNAIL	QUANTITY
1	Backsplash		1
2	Vanity Top		1
3	Side Panel Left		1
4	Side Panel Right		1
5	Upper Back Stretcher		1
6	Middle Back Stretcher		1
7	Lower Stretcher		2
8	Upper Front Stretcher		1
9	Middle Front Stretcher		1
10	Middle Stretcher		1
11	Bottom Panel		1
12	Adjustable Shelf		1
13	Back Panel		1

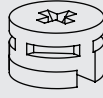
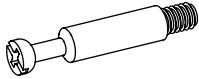

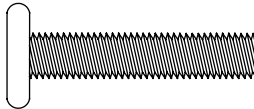
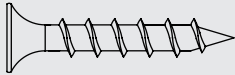
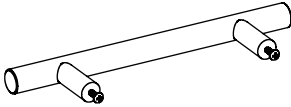

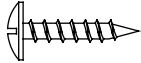
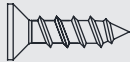
PARTS LIST

ITEM	DESCRIPTION	THUMBNAIL	QUANTITY
14	Drawer Bottom		1
15	Door		1
16	Drawer Front		1
17	Drawer Left		1
18	Drawer Right		1
19	Drawer Back		1

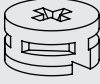
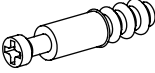
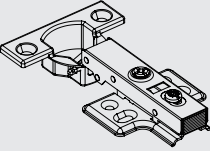
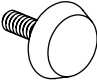
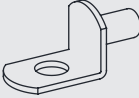

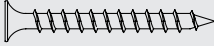
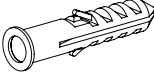
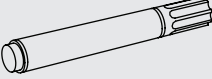

EXPLODED VIEW



HARDWARE LIST

ITEM	DESCRIPTION	THUMBNAIL	QUANTITY
A	Large Cam Lock		20
B	Large Cam Bolt		20
C	M8x30 mm Wood Dowel		25
D	1/4"x32 mm Bolt		4
E	M4x25 mm Screw		4
F	Handle with Bolts		2
G	M4x12 mm Screw		24
H	M3.5x15 mm Screw		20
I	M3.5x12 mm Screw		4

HARDWARE LIST

ITEM	DESCRIPTION	THUMBNAIL	QUANTITY
J	Small Cam Lock		4
K	Small Cam Bolt		4
L	Straight Arm Slow Close Hinge		4
M	Leveller		4
N	Shelf Support		4
O	M6x30 mm Wood Dowel		2
P	M4x50 mm Screw		2
Q	Plastic anchor		2
R	Touch-up Pen		1
S	Glue		1

BEFORE YOU BEGIN ASSEMBLY

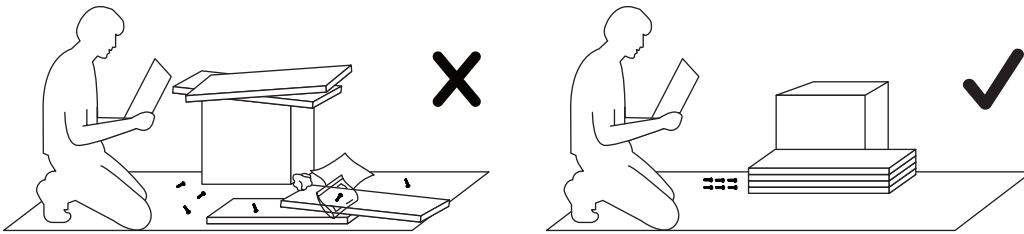
MAKE SURE ALL PARTS ARE PRESENT

Compare all pieces to the parts and hardware lists, and make sure you have all tools required for assembly.



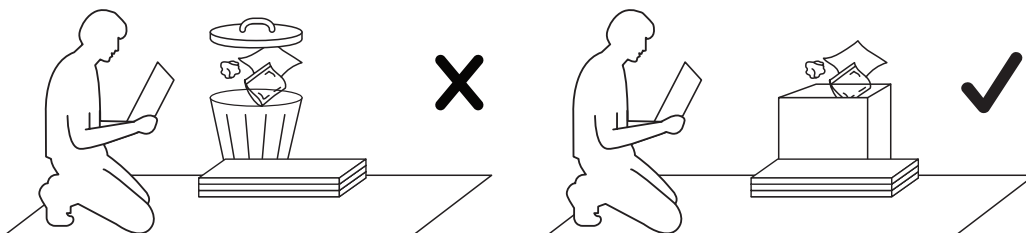
ASSEMBLE IN A CLEARED AREA

Place all parts from the box on the floor in front of you on a clean, dry, level surface to protect the product as it is being built.



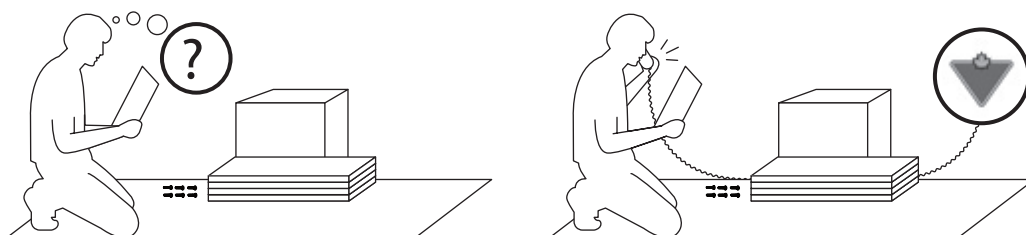
REMOVE PACKAGING MATERIALS

Place packing materials back in the box. Do not dispose of packaging materials until assembly is complete.



READ EACH STEP CAREFULLY

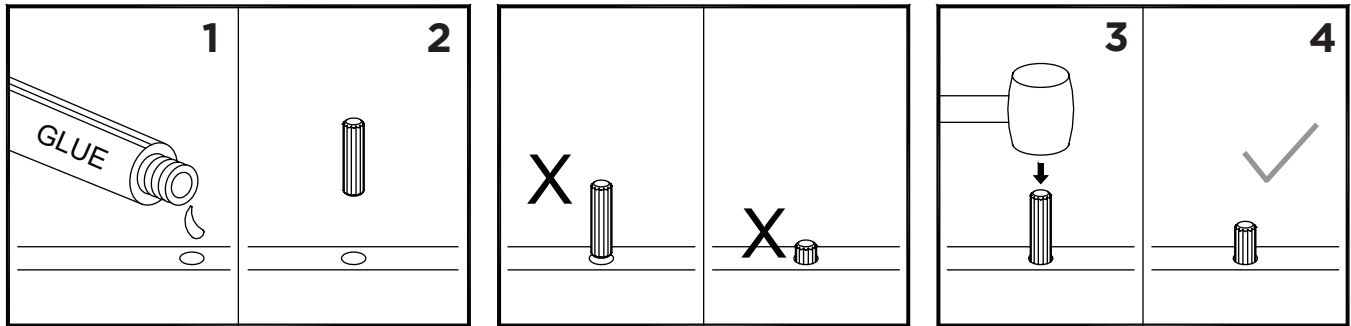
Make sure you understand each step. If you have any questions, contact CANVAS® customer service at 1-888-670-6684 (toll free).



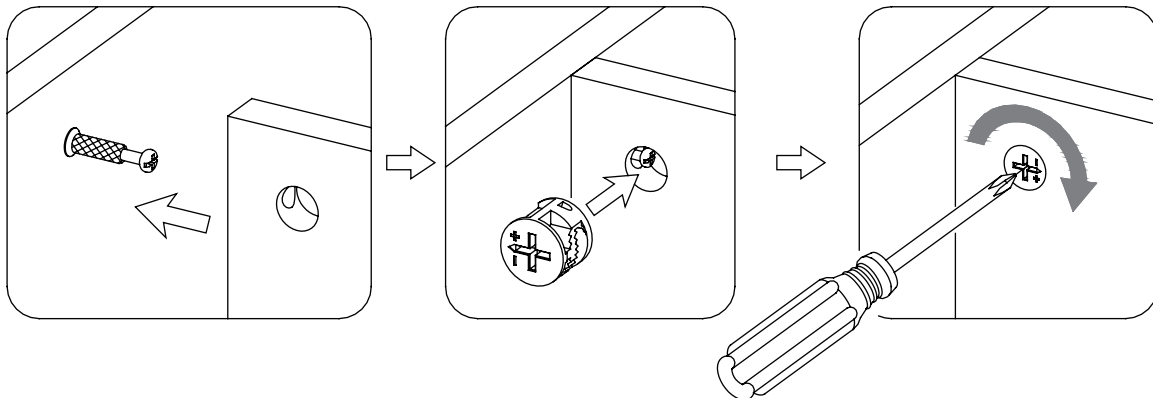
BEFORE YOU BEGIN ASSEMBLY

NOTE: IT IS VERY IMPORTANT TO USE GLUE WITH DOWELS. EXCESS GLUE CAN BE WIPED OFF WITH DAMP CLOTH.

Insert dowel at least half way by tapping lightly with a rubber mallet IF NECESSARY. Take caution not to strike mallet at an angle—this can cause the dowel to snap or break.



CAM LOCK SYSTEM OPERATION



1. Screw cam bolt into the pre-drilled small holes on panel. Align the panels to be joined so that the cam bolt goes into the pre-drilled hole on the edge of the second panel and protrudes into the hole that will house the cam lock.
2. Insert the cam lock into pre-drilled large hole on panel. Make sure arrow on the cam lock is pointed toward the cam bolt.
3. Once the cam bolt is connected inside cam lock, take a cross-head screwdriver and tighten the cam lock by turning clockwise.

You are now ready to assemble the product.

STEP-BY-STEP GUIDE

STEP 1

16 X1	17 X1	18 X1	19 X1	14 X1	E X2	F X1
G X4	J X4	K X4	L X2	O X2		

Attach drawer left **17** and drawer right **18** to drawer back **19** using M4x25mm screws **E** and M6x30 mm Wood Dowel **O**.

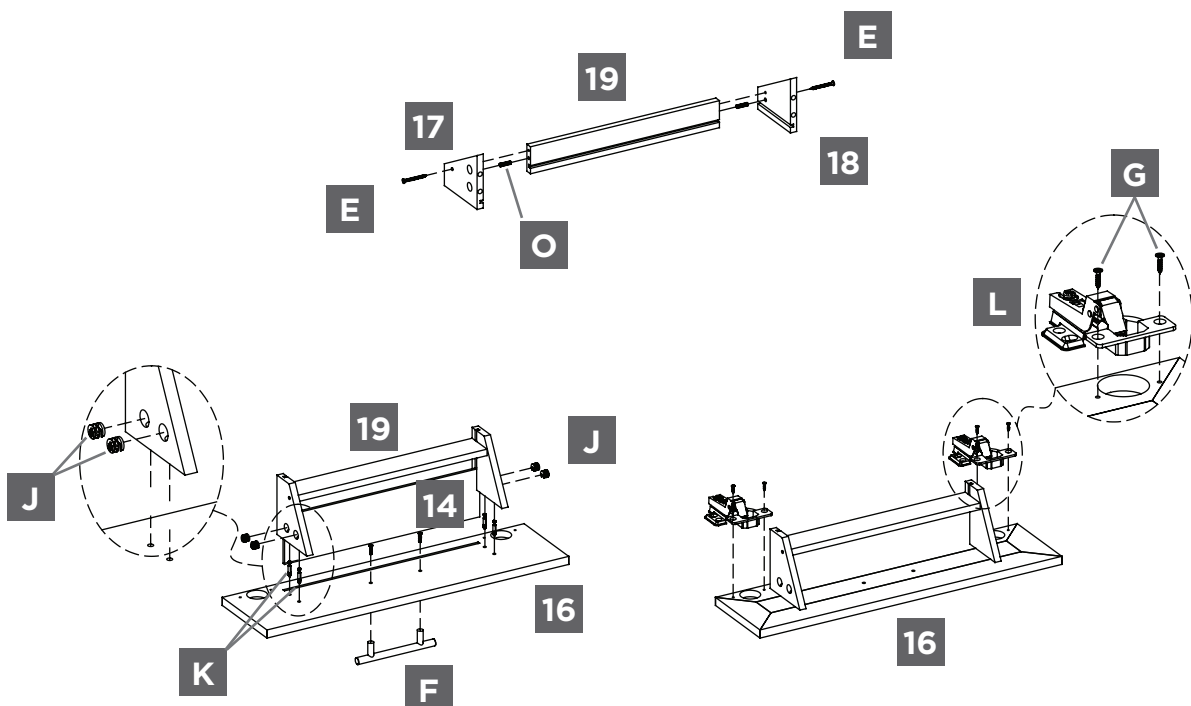
Remove preassembled bolt from handle **F**. Insert drawer handle **F** to drawer front **16**, securing with previously removed bolts.

Insert drawer bottom **14** into drawer left **17**, drawer right **18** and drawer back **19**.

Attach drawer left **17** and drawer right **18** to drawer front **16** using small cam locks **J** and small cam bolts **K**.

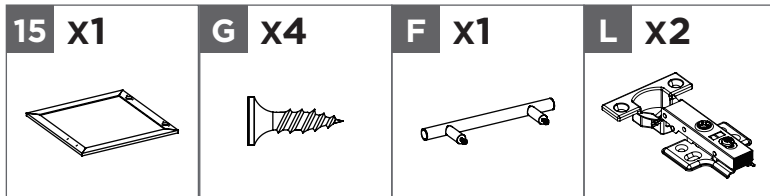
Attach straight arm slow close hinge **L** to drawer front **16** using M4x12mm screws **G**.

Note: Make sure small cam bolts **K** are completely seated.



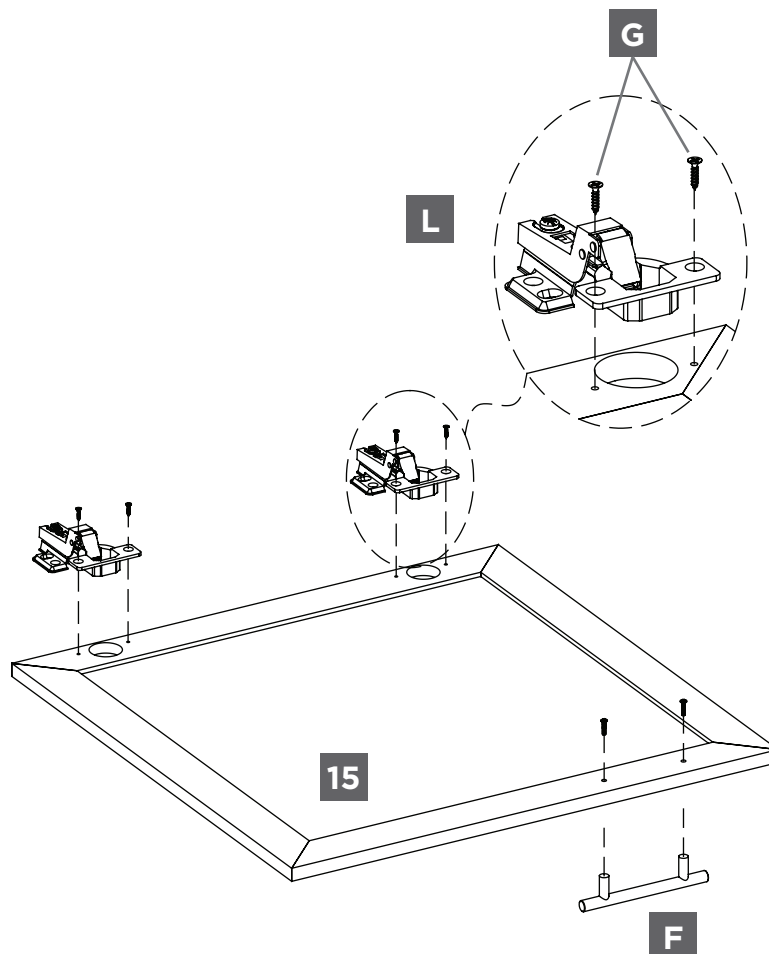
STEP-BY-STEP GUIDE

STEP 2



Attach straight arm slow close hinge **L** to door **15** using M4x12 mm screws **G**.

Remove preassembled bolt from handle **F**. Attach drawer handle **F** to door **15**, securing with previously removed bolts.



STEP-BY-STEP GUIDE

STEP 3

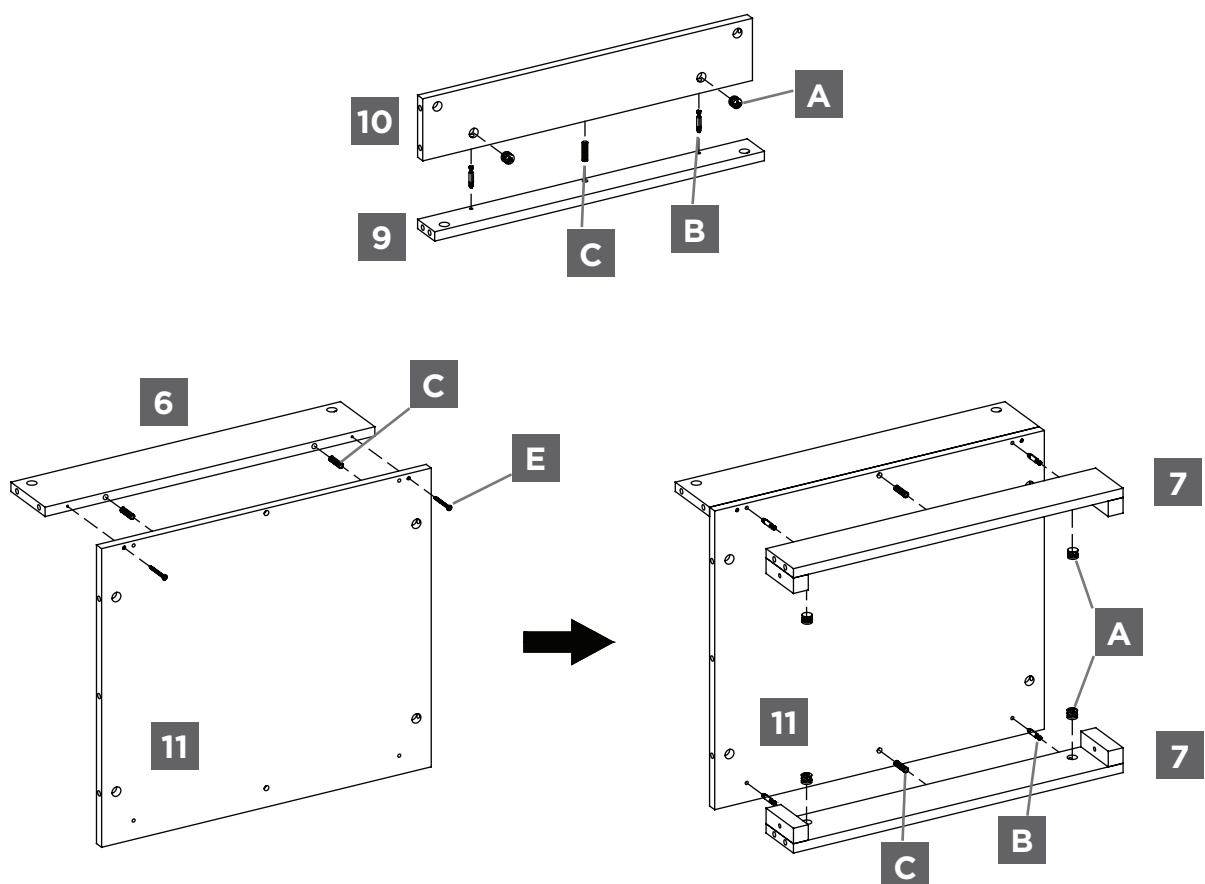
6 X1	7 X2	9 X1	10 X1	11 X1	A X6	B X6
C X5	E X2					

Attach Middle Front Stretcher **9** to Middle Stretcher **10** using large cam locks **A**, large cam bolts **B** and M8x30mm wood dowels **C**.

Attach middle back stretcher **6** to bottom panel **11** using M4x25mm screws **E**.

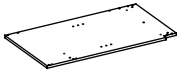
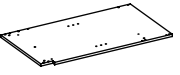


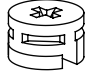
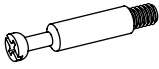


Then, attach lower Stretcher **7** to bottom panel **11** using large cam locks **A**, large cam bolts **B** and M8x30mm wood dowels **C**.

Note: Make sure large cam bolts **B** are completely seated.



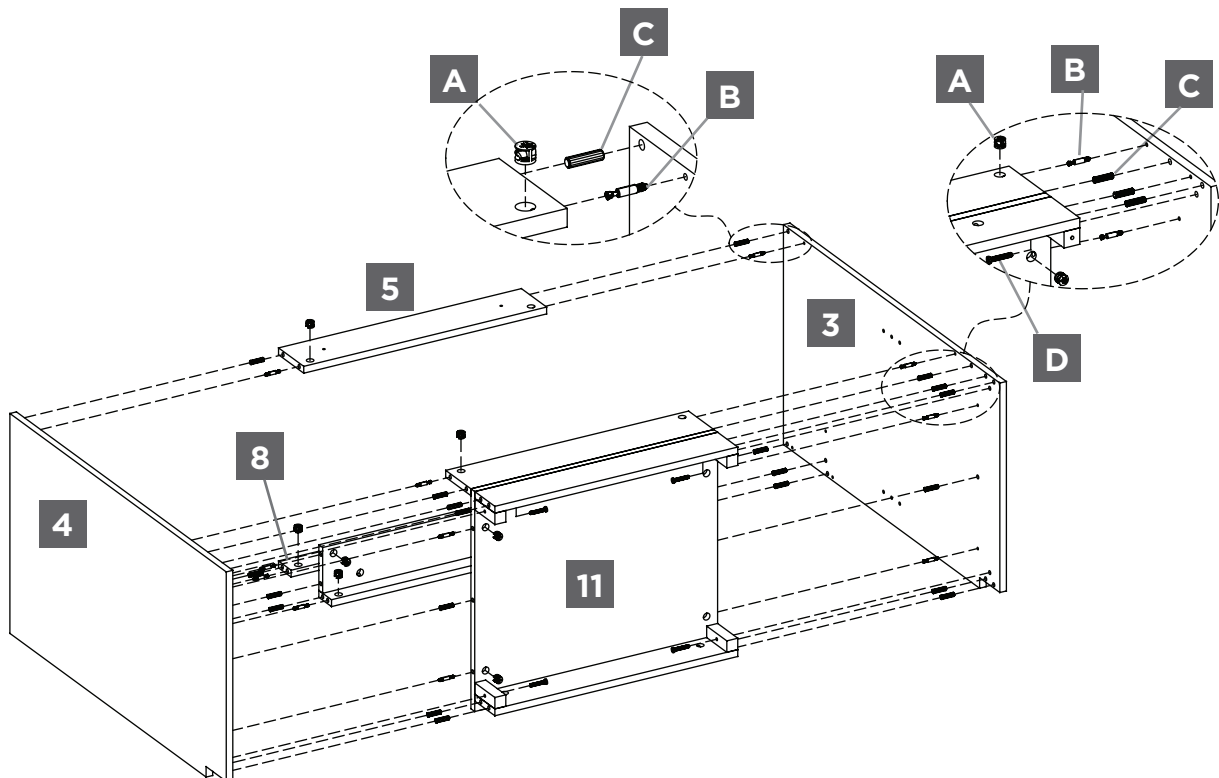
STEP-BY-STEP GUIDE

STEP 4

3 X1	4 X1	5 X1	8 X1	A X14	B X14	C X20
						
D X4						
						

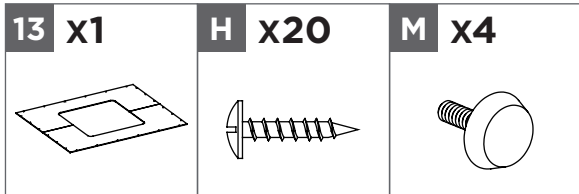
Attach upper back stretcher **5**, upper front stretcher **8**, middle front stretcher and bottom panel assembly to side panel left **3** and side panel right **4** using large cam locks **A**, large cam bolts **B**, M8x30mm wood dowels **C** and 1/4"x30mm bolts **D**.

Note: Make sure large cam bolts **B** are completely seated.

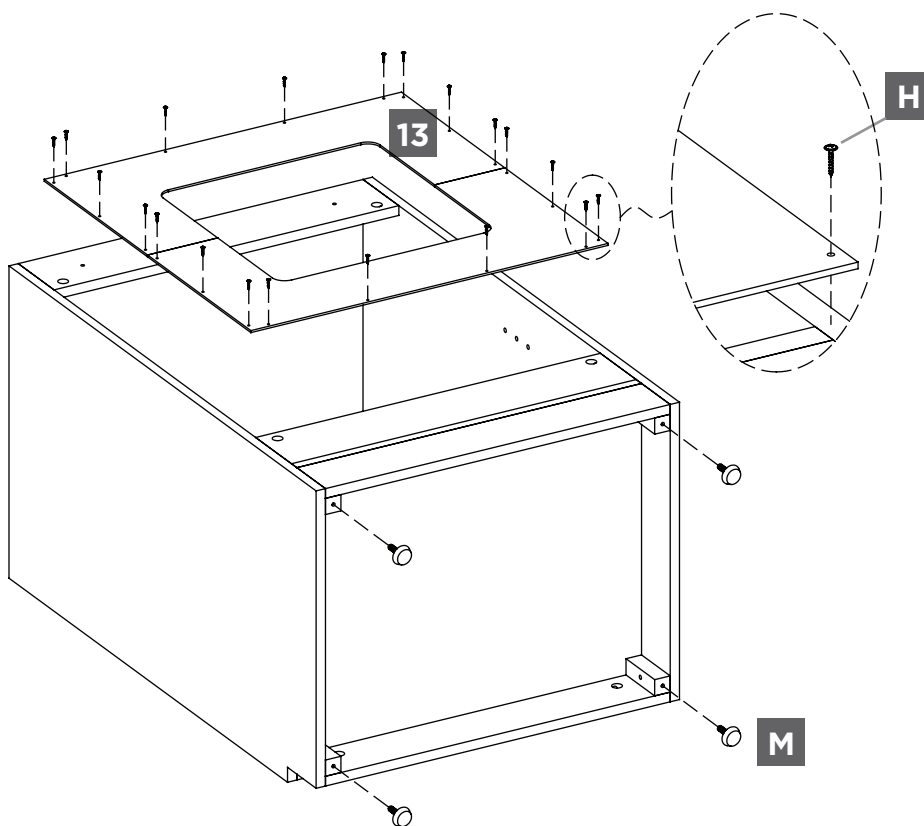


STEP-BY-STEP GUIDE

STEP 5



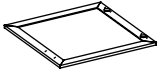
Attach back panel **13** to the back of the vanity assembly using M3.5x15mm screws **H**.
Attach levellers **M** to the bottom corners of the vanity assembly.



STEP-BY-STEP GUIDE

STEP 6

15 X1

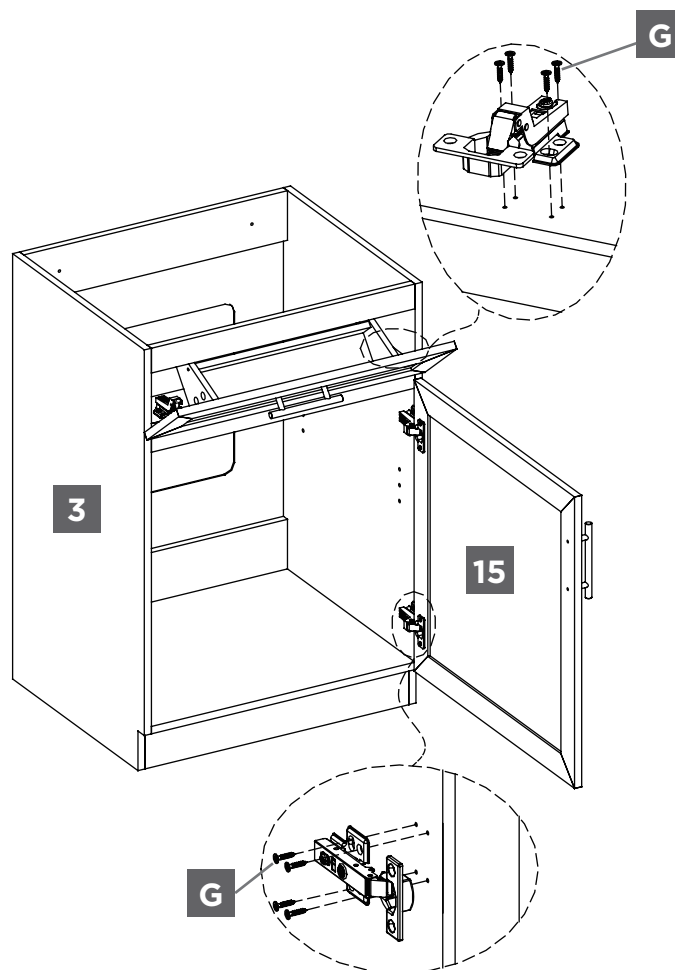


G X16



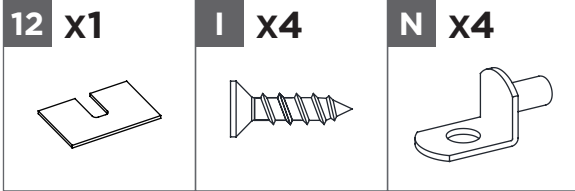
Attach door **15** and the drawer assembly to the vanity assembly with M4x12mm screws **G** using the pilot holes as a guide.

Open and close the doors to make sure they are aligned and shut correctly. If necessary, adjust the screws for a good fit.



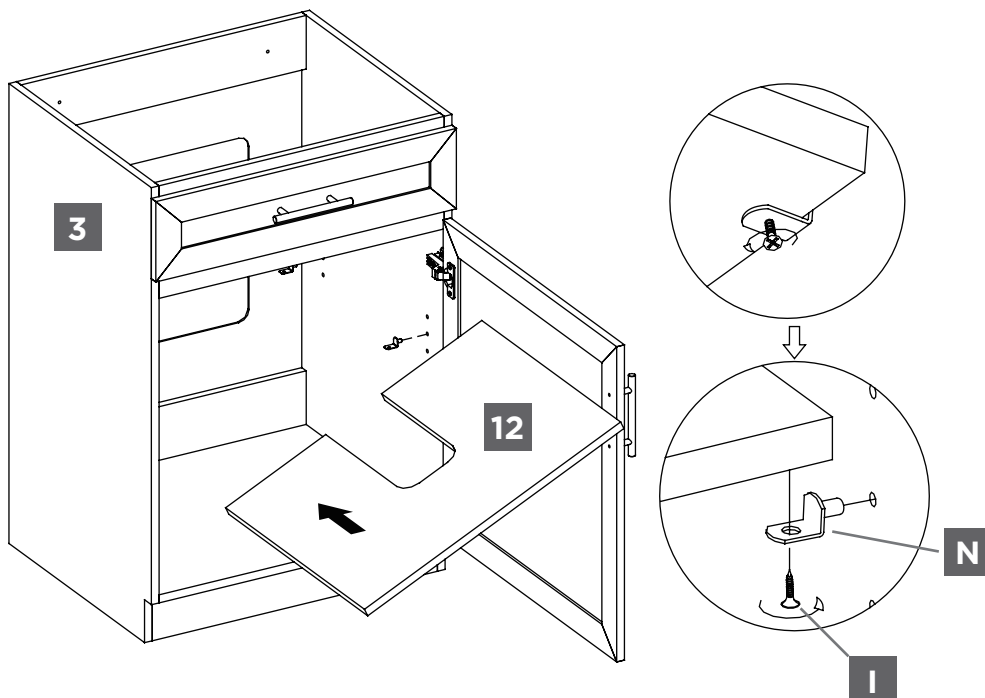
STEP-BY-STEP GUIDE

STEP 7



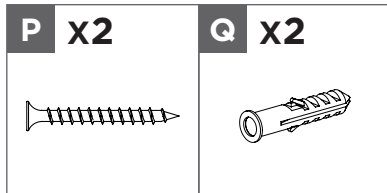
Insert shelf support **N** into the desired holes in the sides of each compartment. Make sure you place the shelf supports at the same level so the shelf is not tilted.

Tilt and rest adjustable shelves **12** onto shelf supports **N**. Secure using M3.5x12mm screws **I**.



STEP-BY-STEP GUIDE

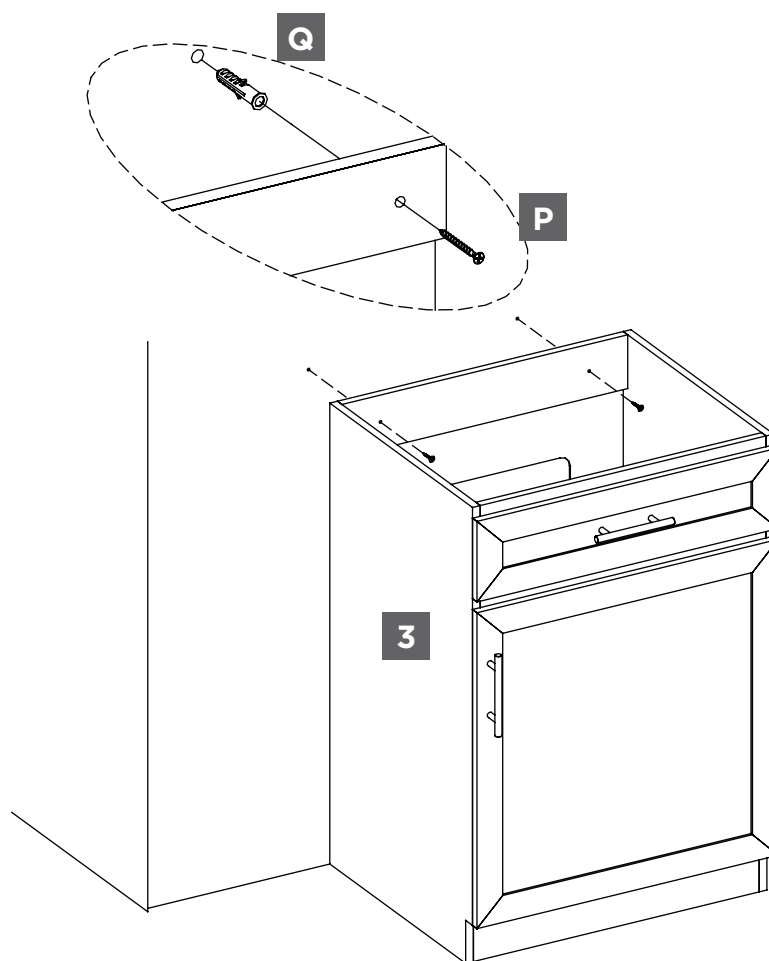
STEP 8



Determine where vanity is to be placed and mark location on the wall for the mounting.

Drill a 3/8" hole in the wall. Press the plastic anchor **Q** into the hole and gently tap until the flange of the anchor is against the wall surface.

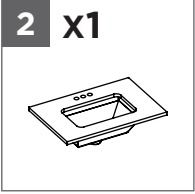
Attach Vanity to the wall using M4x50mm screws **P**.



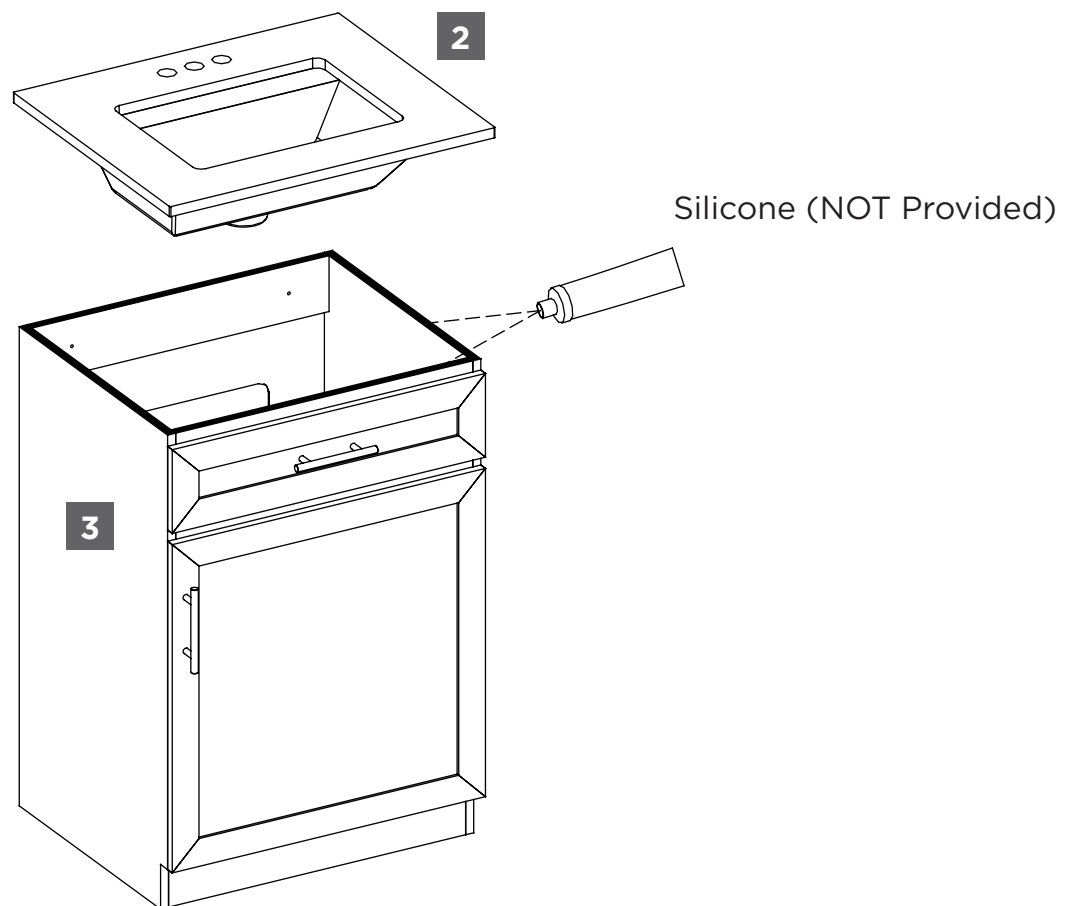
STEP-BY-STEP GUIDE

STEP 9

2 x1



Apply silicone around the top edge of vanity assembly to secure the vanity top **2**.



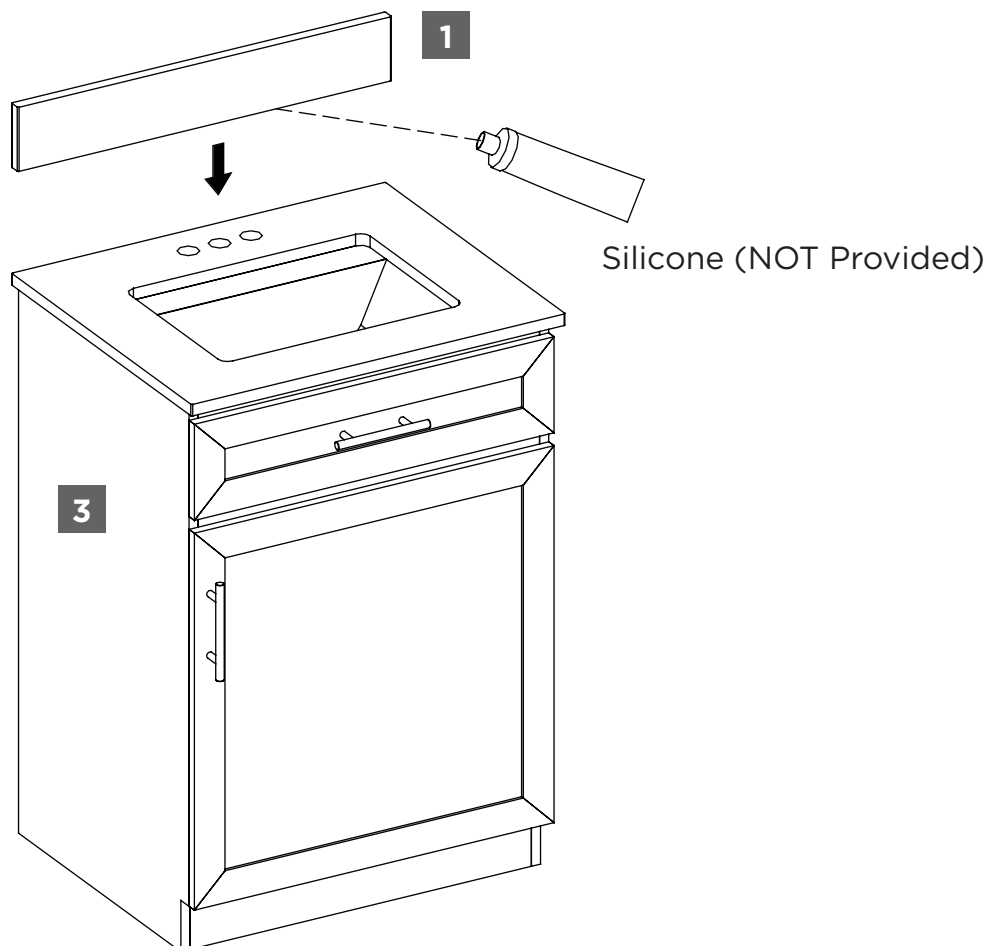
STEP-BY-STEP GUIDE

STEP 10

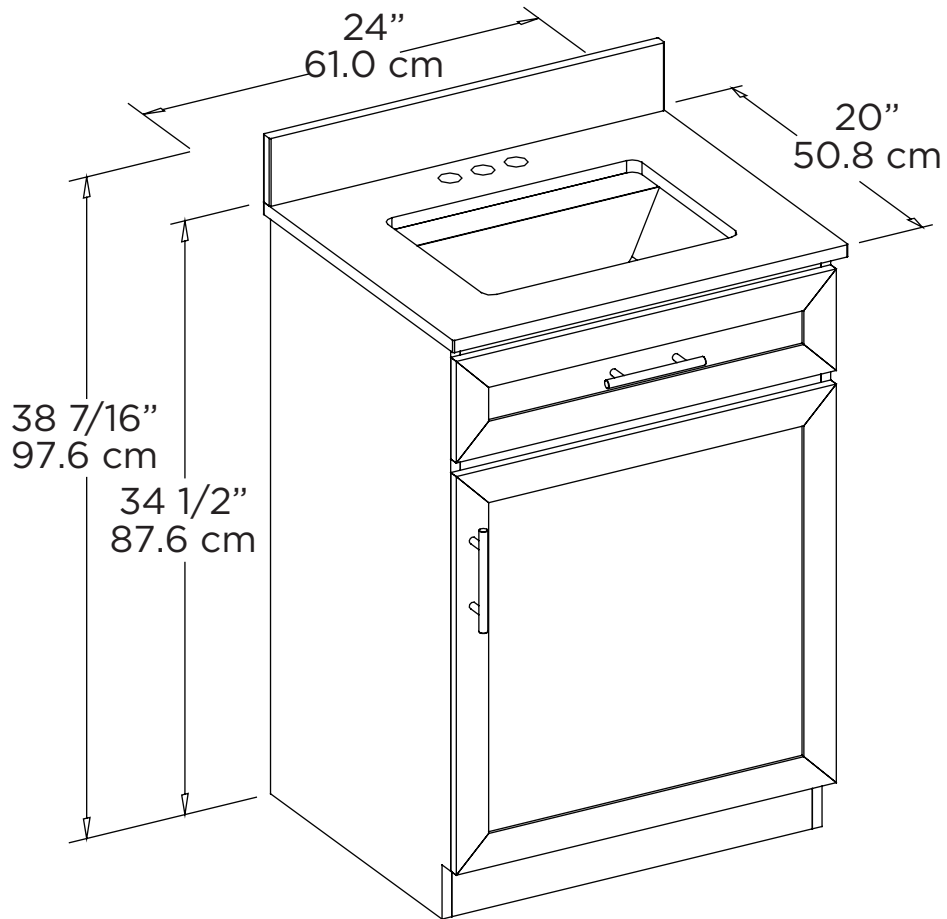
1 x1



Apply silicone along the bottom edge of backsplash **1** and attach it to vanity assembly.



TECHNICAL DATA



SPECIFICATIONS

ASSEMBLED DIMENSIONS (W x D x H)

24 x 20 x 34 1/2"

61.0 x 50.8 x 87.6 cm

ASSEMBLED WEIGHT

108 lb

49 kg

MAXIMUM WEIGHT CAPACITY

200 lb

90.7 kg

ASSEMBLY TROUBLESHOOTING



**BEFORE RETURNING
YOUR PRODUCT**

**HAVING TROUBLE?
LET US HELP YOU!**

**TOLL-FREE:
1-888-670-6684**

If you have questions regarding your product or require warranty assistance, please call our customer service helpline.



**CALL US;
WE CAN HELP**

PRODUCT TROUBLESHOOTING

PROBLEM	POSSIBLE CAUSES	SOLUTION
Vanity doors rub against another surface.	The floor is not level.	Adjust the leg levellers to ensure the vanity combo is level.
There is an uneven gap between the doors and cabinet.	The floor is not level.	Adjust the leg levellers to ensure the vanity combo is level.

CARING FOR YOUR ITEM

- 1 Rinse vanity top with clean, hot water frequently.
- 2 Blot spills quickly, and wash with mild soap and warm water.
- 3 Check all nuts and bolts periodically for tightness. When required, tighten them again.
- 4 Tips for using touch-up pen (P): For scratches, stroke in direction of scratch; for worn areas, stroke in direction of wood grain. Remove excess colourant promptly with a soft cloth.

WARRANTY INFORMATION



1-YEAR LIMITED WARRANTY*

This CANVAS® product carries a one (1) year warranty against defects in workmanship and materials. Trileaf Distribution agrees to replace the defective product free of charge within the stated warranty period, when returned by the original purchaser with proof of purchase. This product is not guaranteed against wear or breakage due to misuse and/or abuse.

PRODUCT NO. CTCDAN24VNY

Made in Vietnam

Imported by Trileaf Distribution Trifeuil Toronto, Canada M4S 2B8

CANVAS™

INSPIRED BY CANADA

