

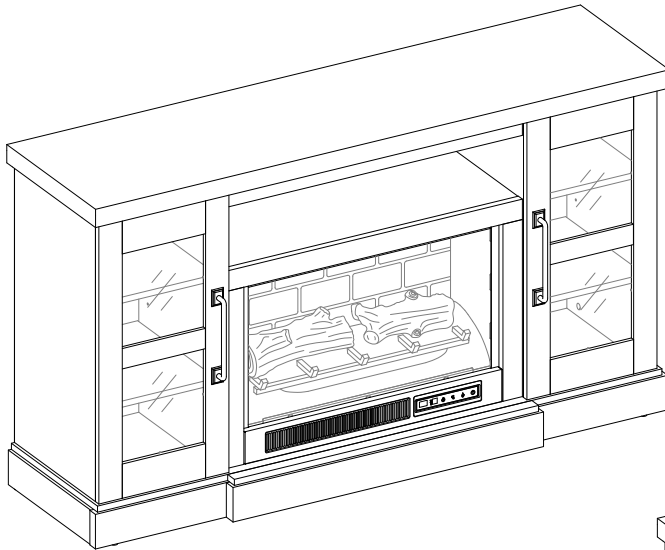
OMSID # 320084725

StyleWell™

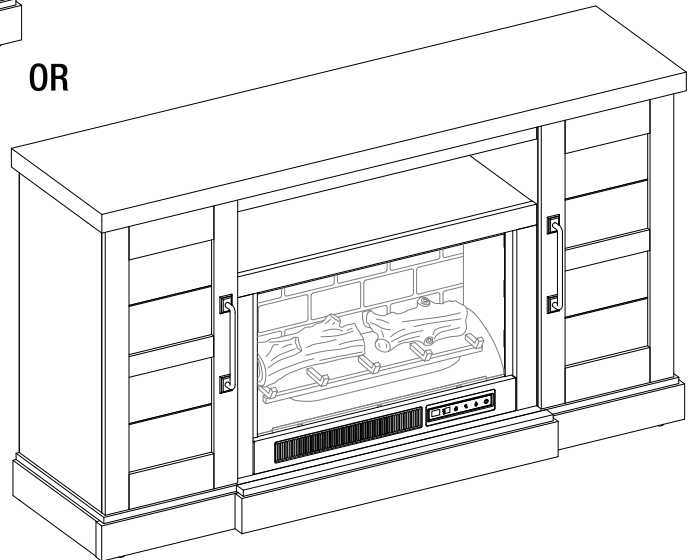
Model # HDFP58-65E

ASSEMBLY INSTRUCTIONS

58in. Infrared Media Electric Fireplace



OR



Questions, problems, missing parts?
Before returning to the store, call Customer Service
8 a.m. - 7 p.m., EST, Monday-Friday, 9 a.m. - 6 p.m., EST, Saturday

1-877-527-0313

HOMEDEPOT.COM

THANK YOU

We appreciate the trust and confidence you have placed in StyleWell through the purchase of this electric fireplace/heater. We strive to continually create quality products designed to enhance your home. Visit us online to see our full line of products available for your home improvement needs. Thank you for choosing StyleWell!!

Table of Contents


Table of Contents.....2
Safety Information.....2
 Maximum Recommended Weight Loads2
Warranty.....2
Pre-Assembly2
 Planning Assembly.....2
 Tools required.....2

Hardware Included.....3
 Package Contents4
Assembly5
Care and Maintenance.....23
 Caring for Wood Furniture.....23
 Cleaning the Fireplace Trim23

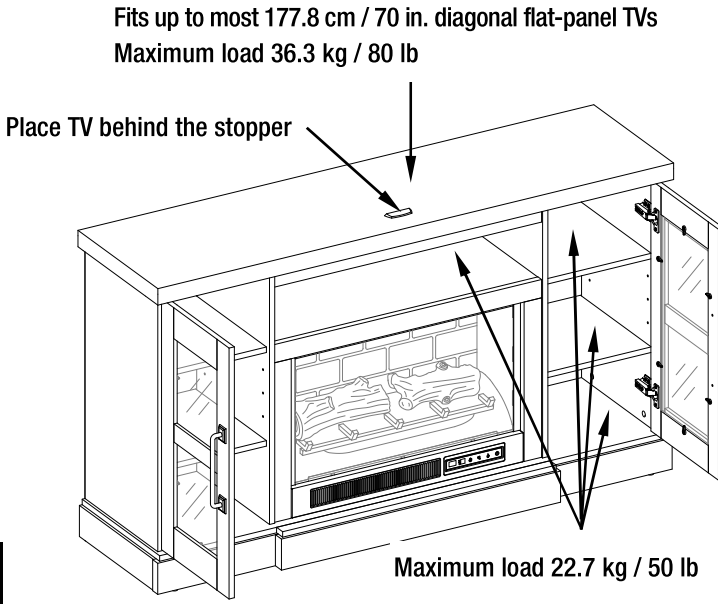
Safety Information

Please read and understand these instructions before assembling and using this console. Save these instructions for future reference.

MAXIMUM RECOMMENDED WEIGHT LOADS



WARNING: This unit is not intended for use with CRT TVs. Use only with flat panel TVs and audio/video equipment meeting recommended size and weight limits. Never use with larger/heavier than recommended flat panel TVs or equipment. To avoid instability, place flat panel TV in the centre of the unit; the base of the television must be able to rest on the supporting surface of the unit without over-hanging the edges. Improperly positioned flat panel TVs, or flat panel TVs or other equipment that exceed recommended size and weight limits could fall off or break the unit, causing possible serious injury.



Warranty

We are confident that you will be delighted with this purchase. Should this product be defective in workmanship or materials, or fail under normal use, we will repair or replace it for a period of up to one (1) year from date of purchase.

This warranty gives you specific rights and you may also have other rights which vary from state to state.

Contact the Customer Service Team at 1-877-527-0313 or visit www.HomeDepot.com.

Pre-Assembly

PLANNING ASSEMBLY

Compare all parts with the Hardware Included and Package Contents list. If any part appears missing or damaged, do not assemble this product and contact the Customer Service Team at 1-877-527-0313.

TOOLS REQUIRED

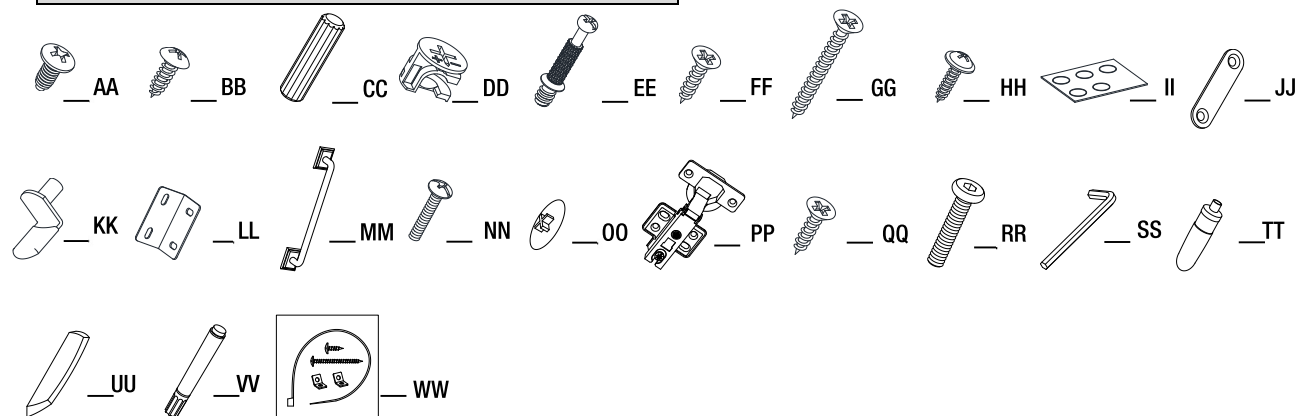


Pre-Assembly (continued)

HARDWARE INCLUDED



NOTE: Hardware not shown to actual size.

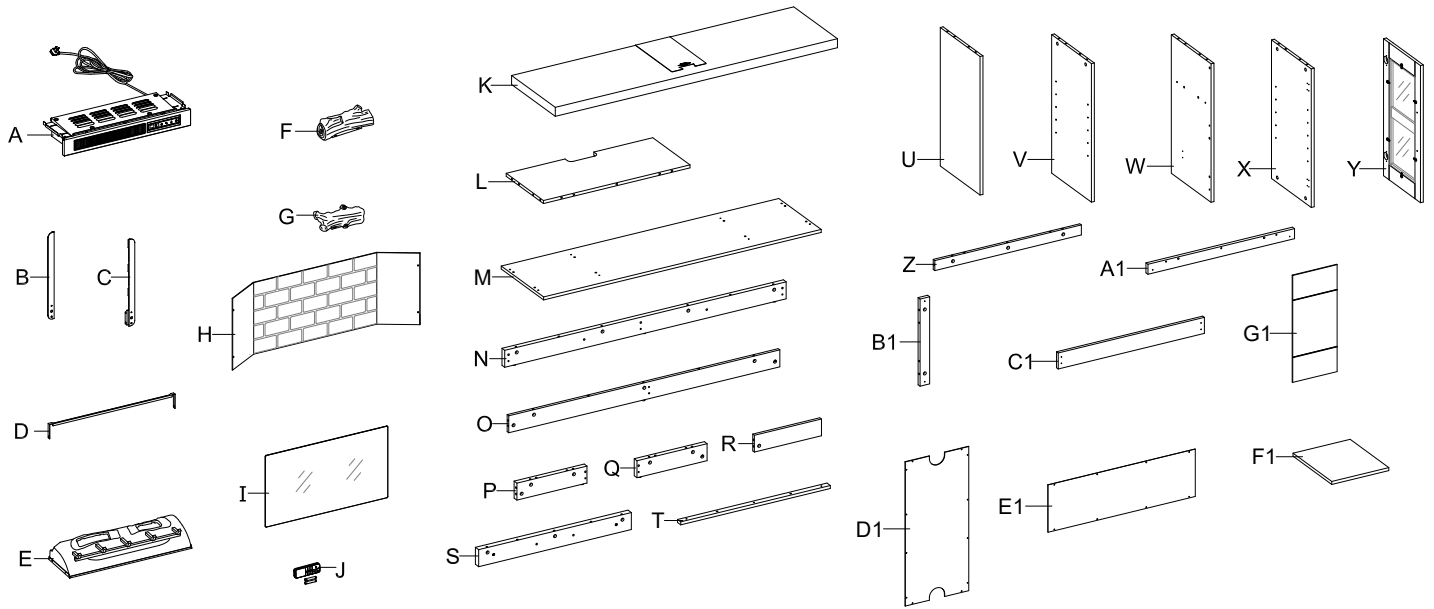


Part	Description	Quantity
AA	Insert screw	10+1 extra
BB	Pan head screw	8+1 extra
CC	Wood dowel	47+2 extra
DD	Cam lock	45+2 extra
EE	Cam bolt	45+2 extra
FF	Short flat head screw	4+1 extra
GG	Long flat head screw	6+1 extra
HH	Washer head screw	32+1 extra
II	Rubber bumper	4+1 extra
JJ	Metal bracket	2
KK	Shelf Support	16+1 extra
LL	Mending plate	2

Part	Description	Quantity
MM	Handle	2
NN	Handle bolt	4
OO	Cam lock cover	12+1 extra
PP	Hinge	4
QQ	Zinc screw for hinge	24+1 extra
RR	Bolt	2
SS	Hex wrench	1
TT	Glue	2
UU	Acrylic stopper	1
VV	Touch-up pen	1
WW	Tipping restraint hardware kit	2

Pre-Assembly (continued)

PACKAGE CONTENTS



Part	Description	Quantity
A	Heater	1
B	Left upright arm	1
C	Right upright arm	1
D	Connector strap	1
E	Ember bed	1
F	Left log	1
G	Right log	1
H	Firebox wall panel	1
I	Firebox glass	1
J	Remote control with battery	1
K	Top panel	1
L	Media shelf	1
M	Bottom panel	1
N	Front skirting	1
O	Rear skirting	1
P	Left skirting	1
Q	Right skirting	1

Part	Description	Quantity
R	Base center support	1
S	Middle skirting	1
T	Middle skirting molding	1
U	Left side panel	1
V	Left partition panel	1
W	Right partition panel	1
X	Right side panel	1
Y	Door with glass insert	2
Z	Middle upper crossbar	1
A1	Middle lower crossbar	1
B1	Middle trim	2
C1	Firebox support	1
D1	Side back panel	2
E1	Middle back panel	1
F1	Adjustable shelf	4
G1	Wood door insert	2

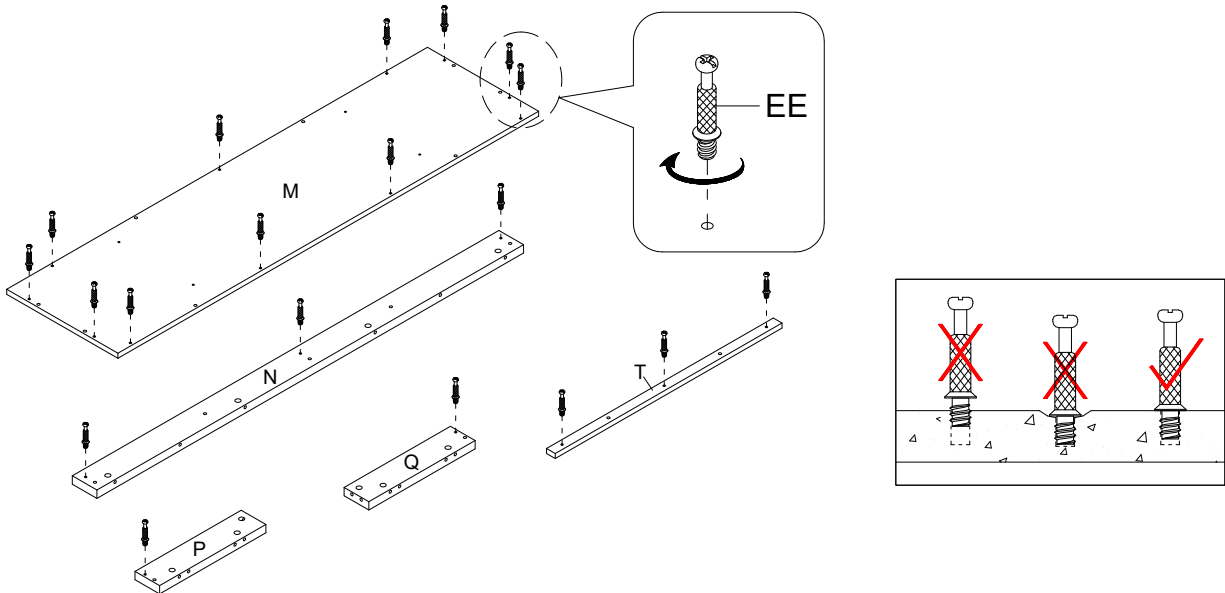
Assembly

1 Preparing base assembly



NOTE: Do not fully tighten all bolts until you finish assembling all parts. Once assembled, go back and fully tighten all bolts. This will make the assembly easier.

- Unpack the unit and confirm that you have all the hardware and required parts. Assemble the unit on a carpeted floor or the empty carton to avoid any scratches.
- Securely screw cam bolts (EE) into the designated small holes on the bottom panel (M), front skirting (N), side skirtings (P and Q) and middle skirting molding (T) using a Phillips screwdriver. **DO NOT** overtighten the cam bolts.

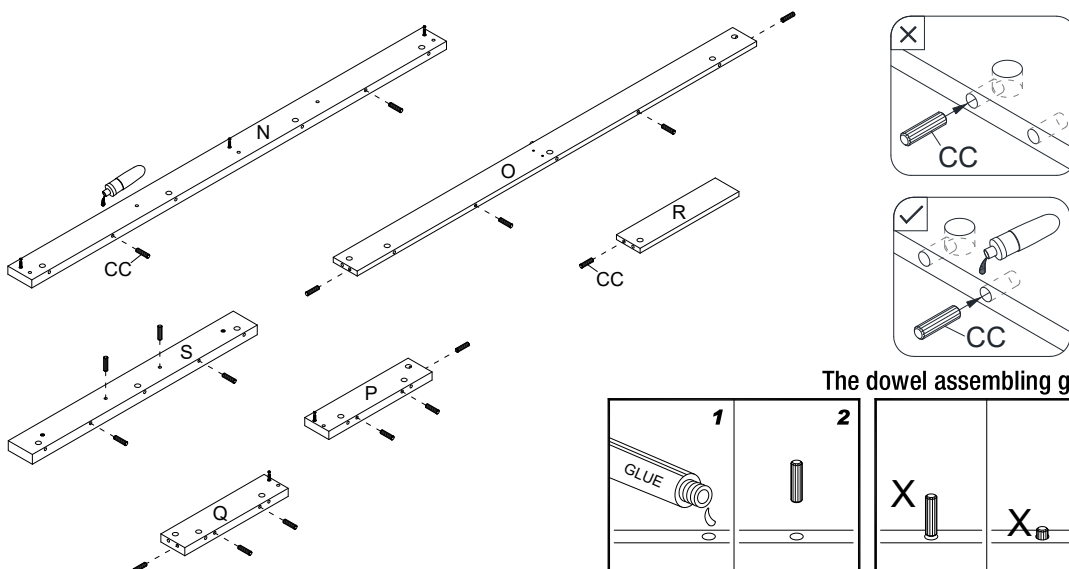


2 Gluing wood dowels



NOTE: Refer to the dowel guide drawings in this step for further clarification on how to properly glue in the wooden dowels. Apply this method whenever instructed to install wood dowels.

- Glue the wood dowels (CC) into the designated holes on the skirting boards (N, O, P, Q and S) and base center support (R) as shown. It is very important to use a small amount of glue on both ends of dowels and wipe away the excess glue immediately.



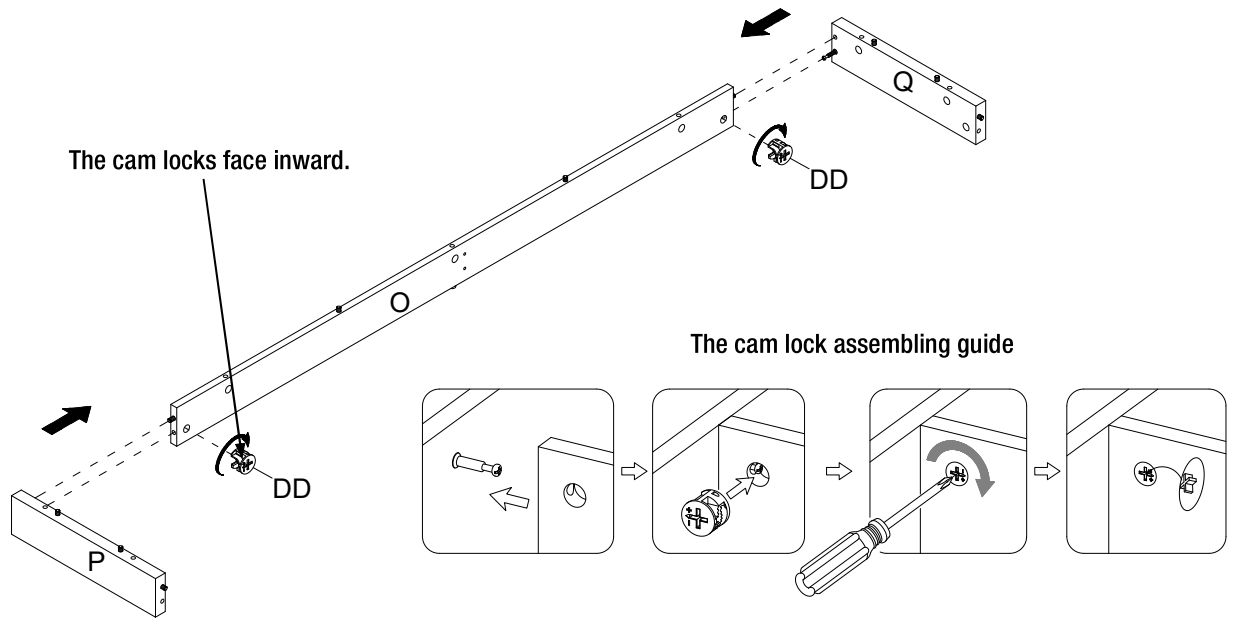
Assembly (continued)

3 Attaching rear skirting



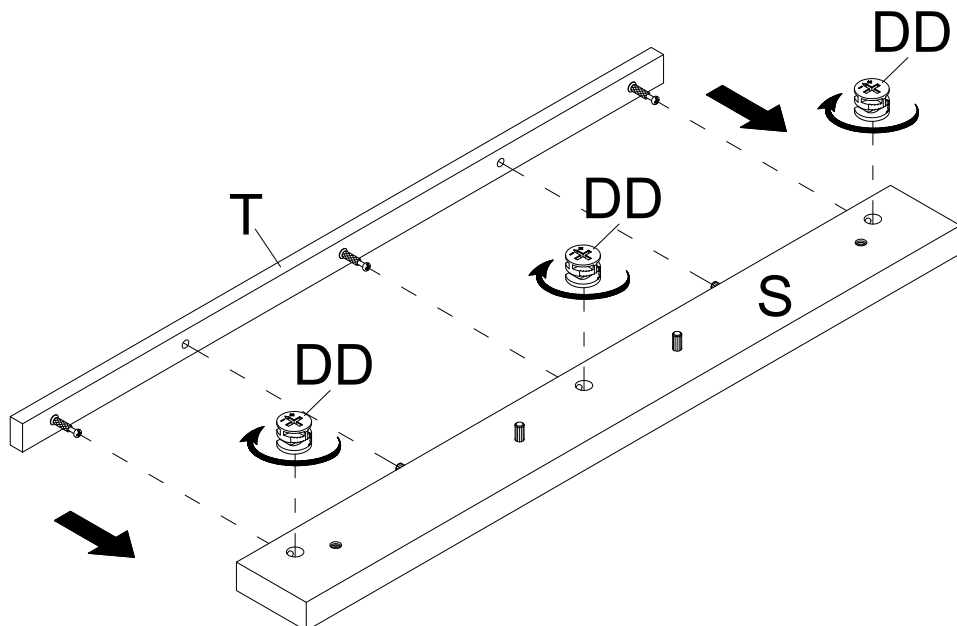
NOTE: Refer to the cam lock assembling guide drawings in this step for further clarification on how to properly install cam locks. Apply this method whenever instructed to install cam locks.

- Attach rear skirting (O) between the side skirtings (P and Q) by engaging two cam locks (DD).



4 Attaching middle skirting molding

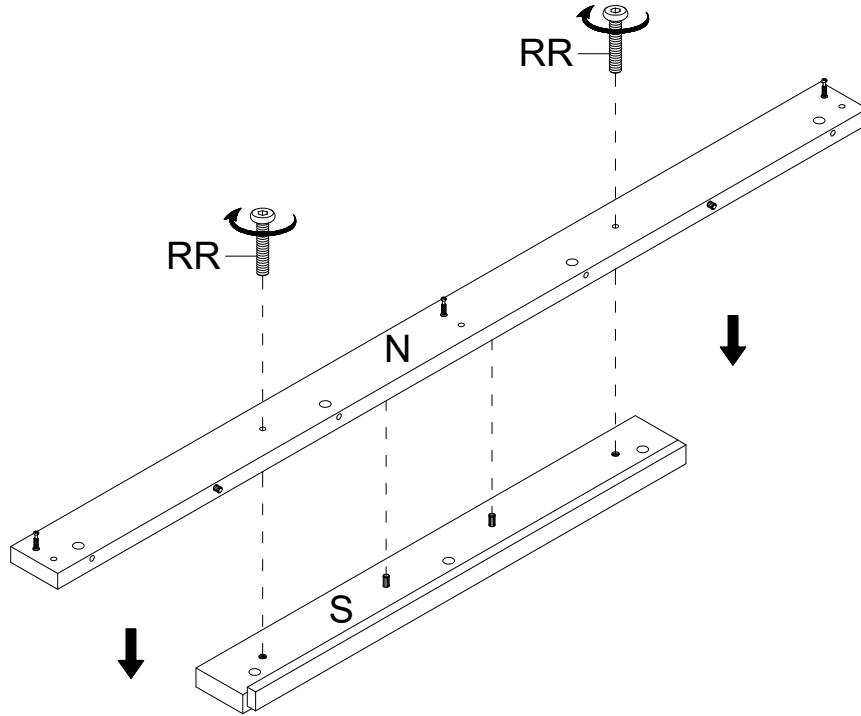
- Using the wood dowels (CC) as a guide, align and attach the middle skirting molding (T) to the middle skirting (S) by engaging three cam locks (DD).



Assembly (continued)

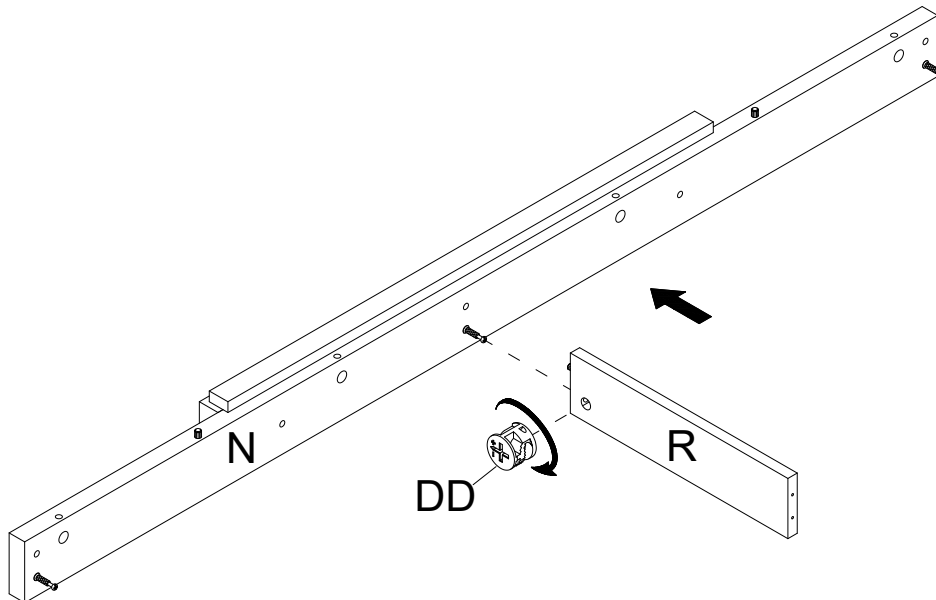
5 Attaching middle skirting

- Using the large wood dowels (CC) as a guide, align and attach the front skirting (N) to the middle skirting (S) with two bolts (RR).



6 Attaching base center support

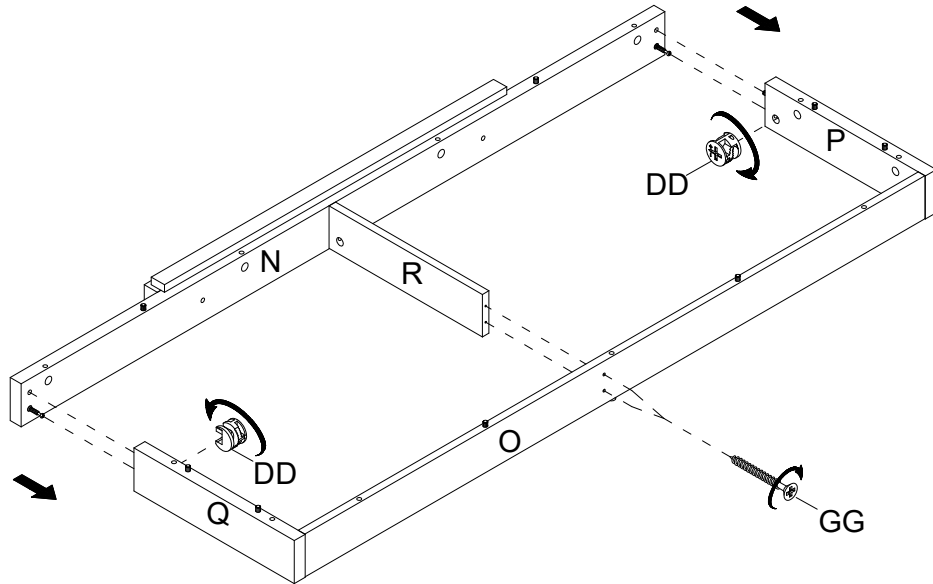
- Align and attach base center support (R) to the front skirting (N) using one cam lock (DD).



Assembly (continued)

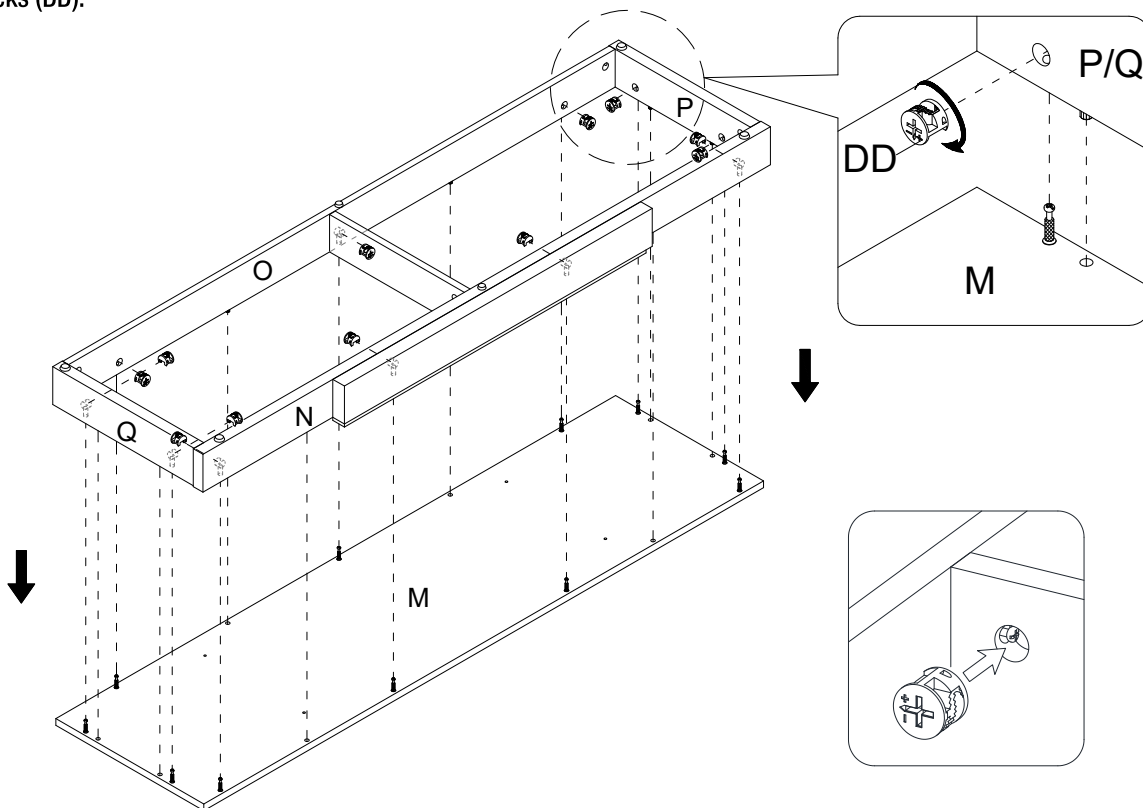
7 Attaching front skirting

- Align and attach the assembled front skirting (N) to both side skirtings (P and Q) using two cam locks (DD).
- Insert two long flat head screws (GG) through the rear skirting (O) and securely screw into the base center support (R) using a Phillips screwdriver.



8 Assembling base

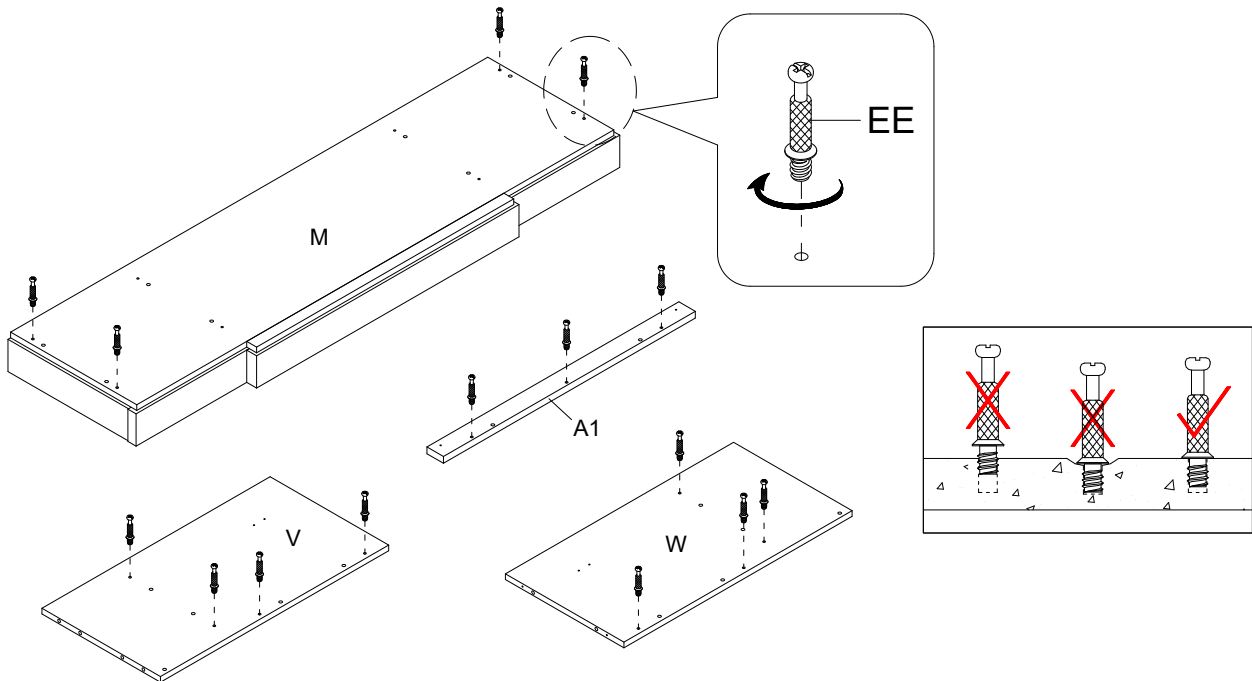
- Using the large wood dowels (CC) as a guide, align and attach the previous assembly to the bottom panel (M) by engaging the cam locks (DD).



Assembly (continued)

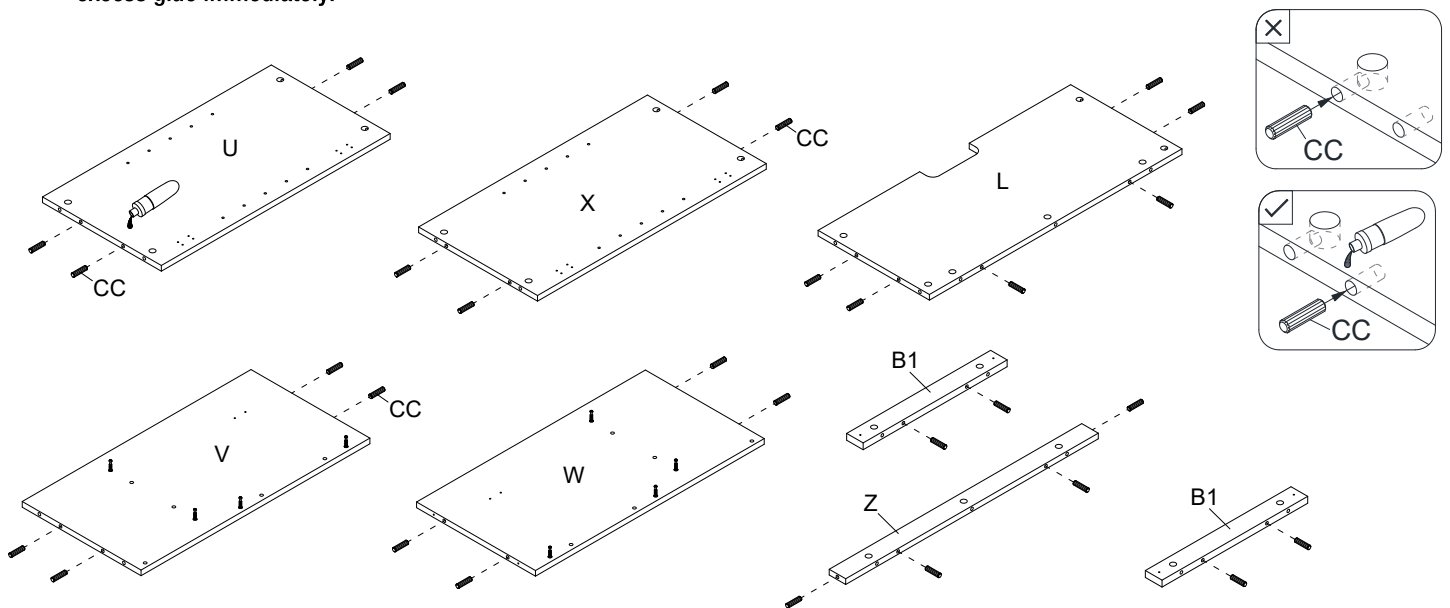
9 Preparing bottom panel assembly

- Securely screw the cam bolts (EE) into the designated small holes on the top of bottom panel (M), partition panels (V and W) and middle lower crossbar (A1) using a Phillips screwdriver.



10 Gluing wood dowels

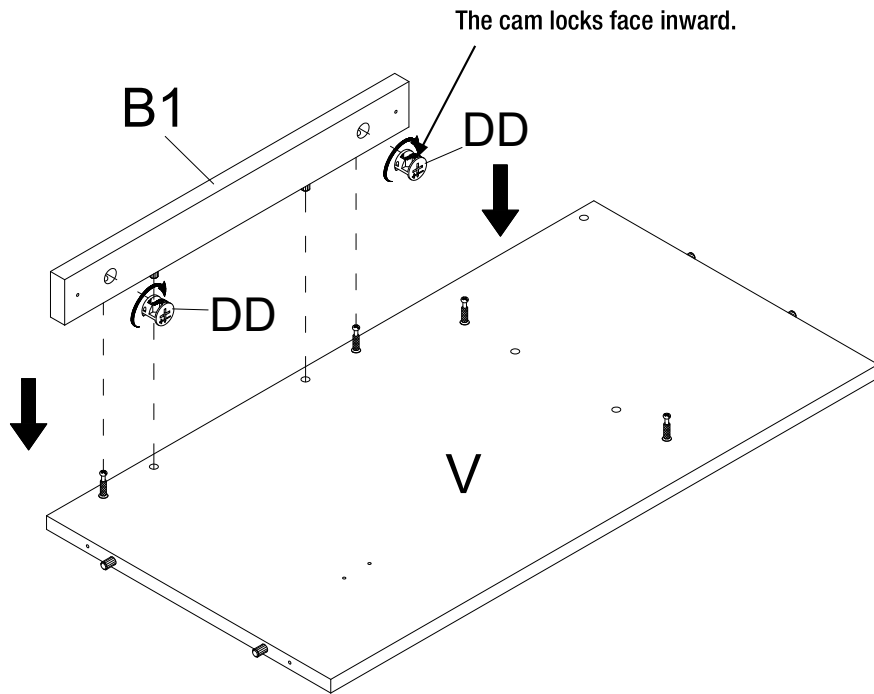
- Glue the wood dowels (CC) into the designated holes on the vertical panels (U, V, W and X), media shelf (L), middle upper crossbar (Z) and middle trims (B1) as shown. It is very important to use a small amount of glue on both ends of dowels and wipe away the excess glue immediately.



Assembly (continued)

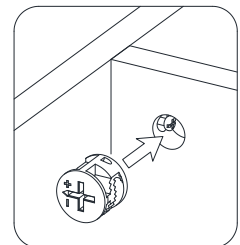
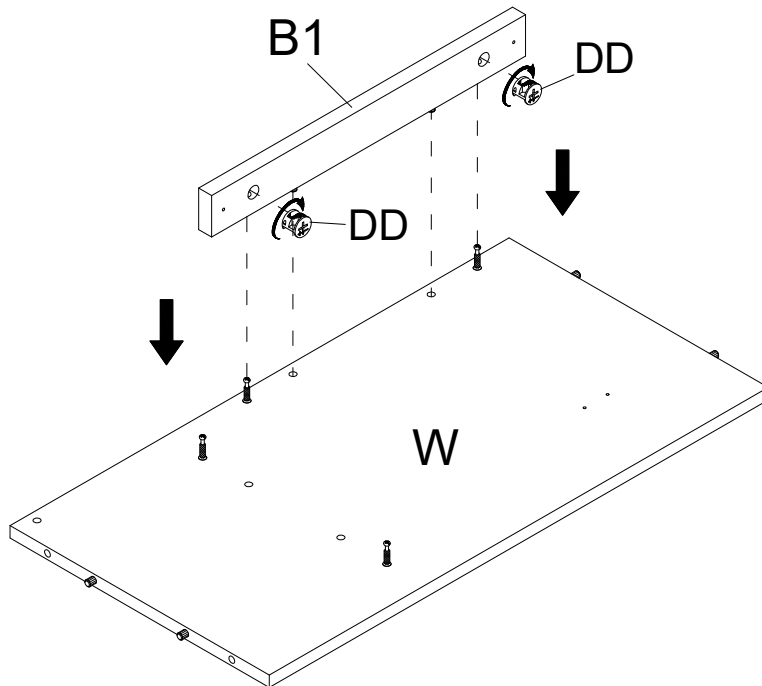
11 Installing middle trim

- Attach one middle trim (B1) to the left partition panel (V) by engaging two cam locks (DD).



12 Installing middle trim

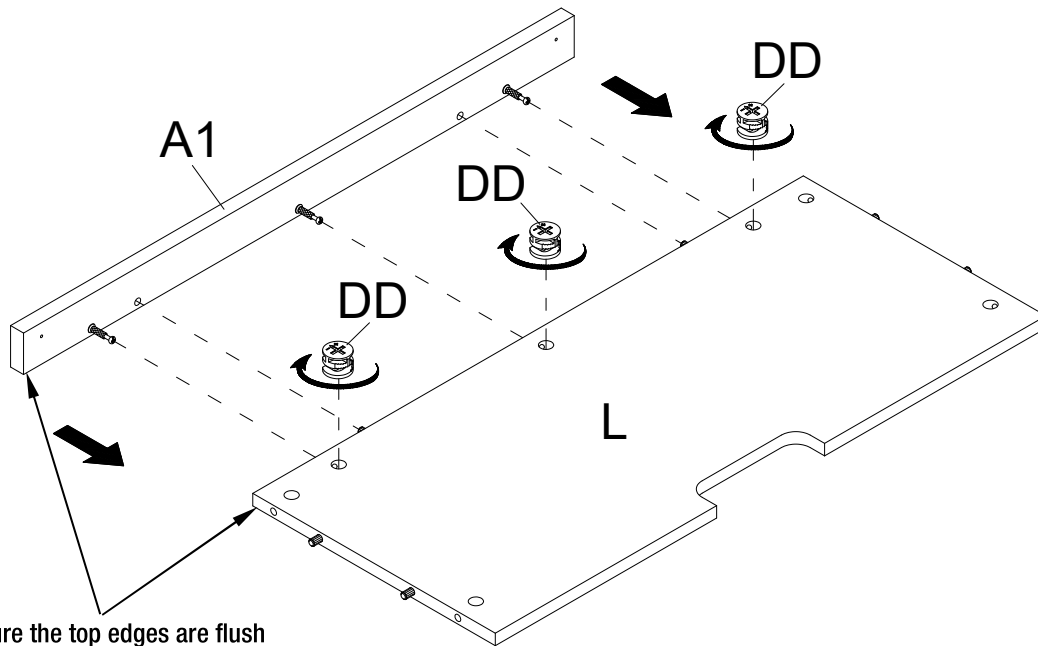
- Attach the other middle trim (B1) to the right partition panel (W) by engaging two cam locks (DD).



Assembly (continued)

13 Attaching middle lower crossbar

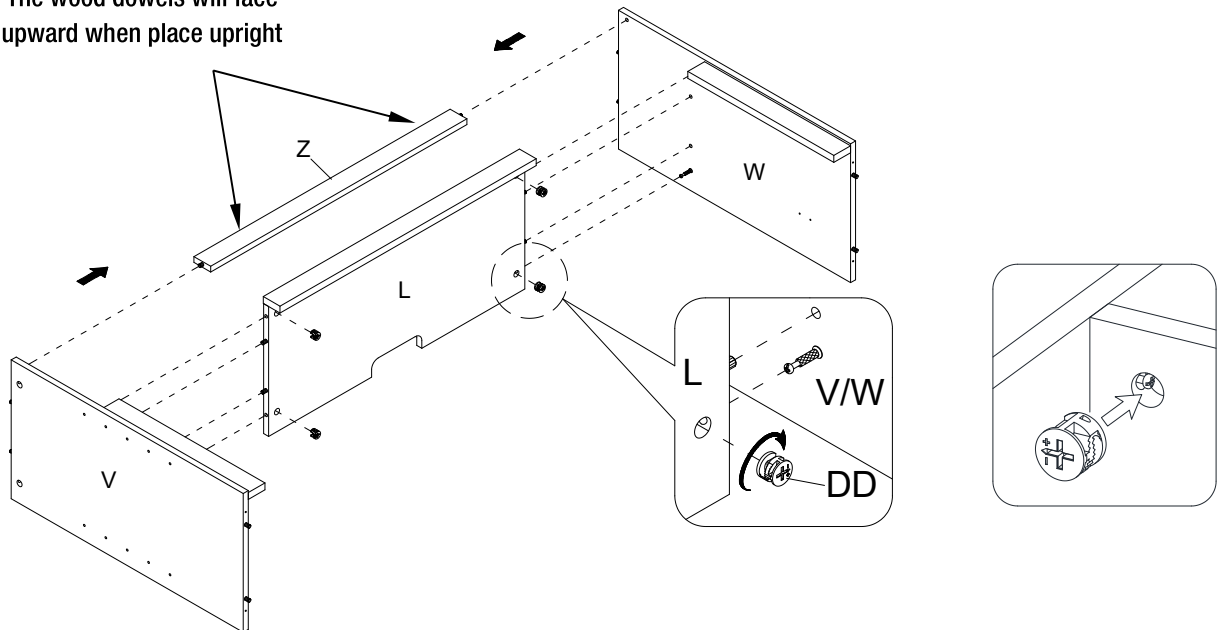
- Attach the middle lower crossbar (A1) to the media shelf (L) by engaging three cam locks (EE).



14 Attaching media shelf and middle upper crossbar

- Align and attach the left partition panel (V) to the assembled media shelf (L) and middle upper crossbar (Z) by engaging two cam locks (DD).
- Repeat the same process to attach the right partition panel (W) at the opposite end.

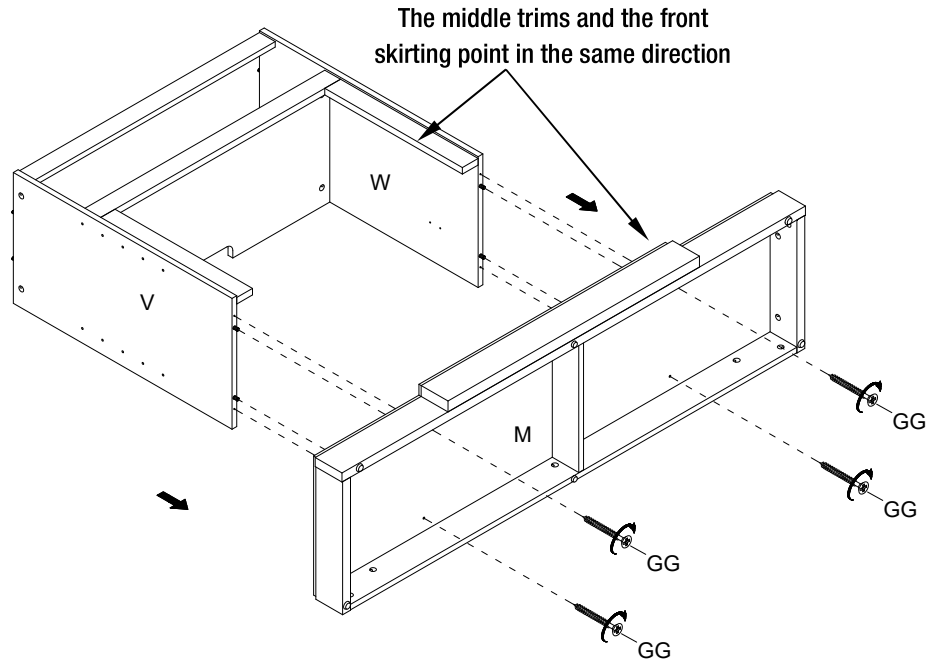
The wood dowels will face upward when place upright



Assembly (continued)

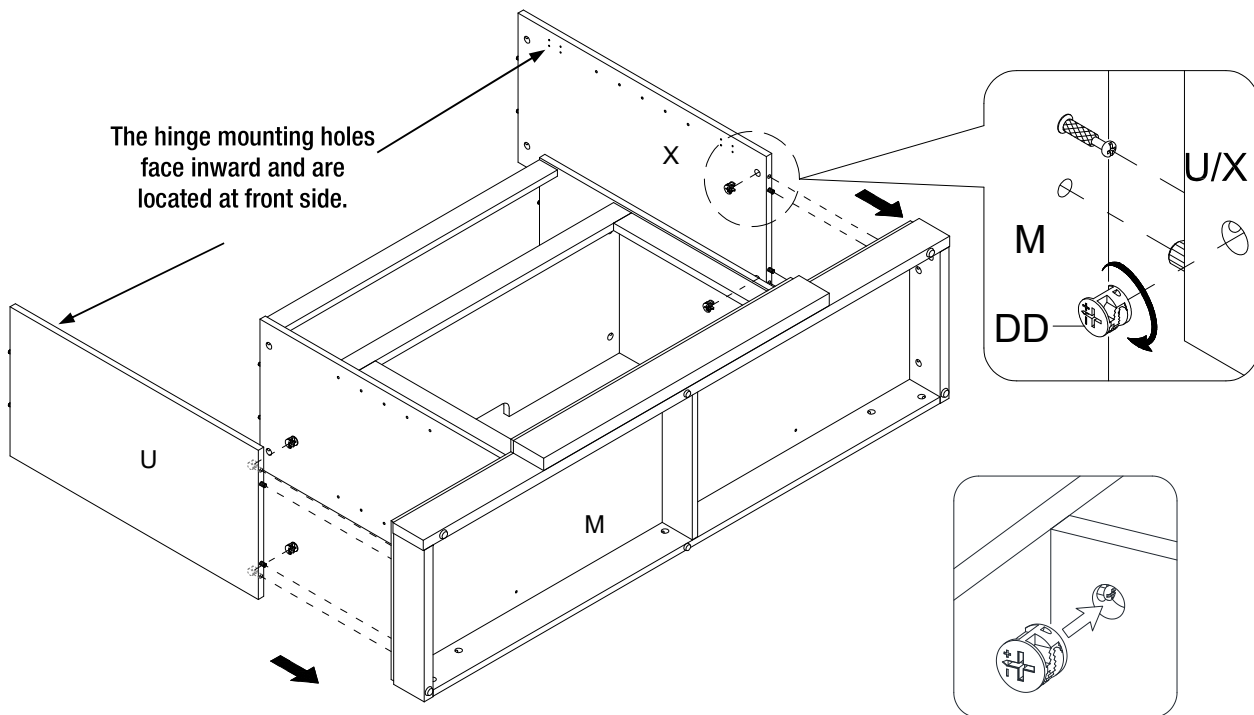
15 Attaching bottom panel

- Using the wood dowels as guide, firmly press the assembled partition panels (V and W) to the bottom panel (M) and fasten them in place with four long flat head screws (GG).



16 Attaching side panels

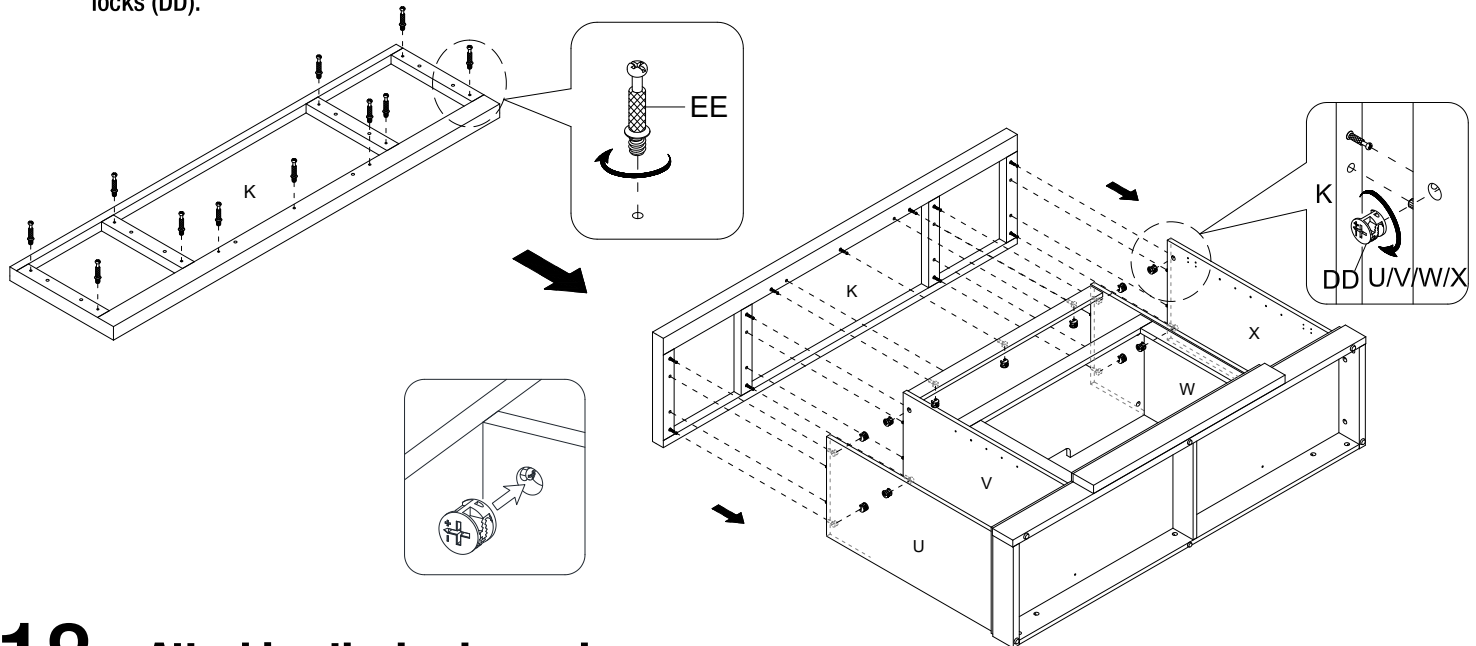
- Align and attach the side panels (U and X) to the bottom panel (M) by engaging four cam locks (DD) as shown.



Assembly (continued)

17 Attaching top panel

- Securely screw cam bolts (EE) into the designated small holes on the top panel (K) using a Phillips screwdriver.
- Using the wood dowels (CC) as a guide, align and attach the top panel (K) to the vertical panels (U, V, W and X) by engaging the cam locks (DD).

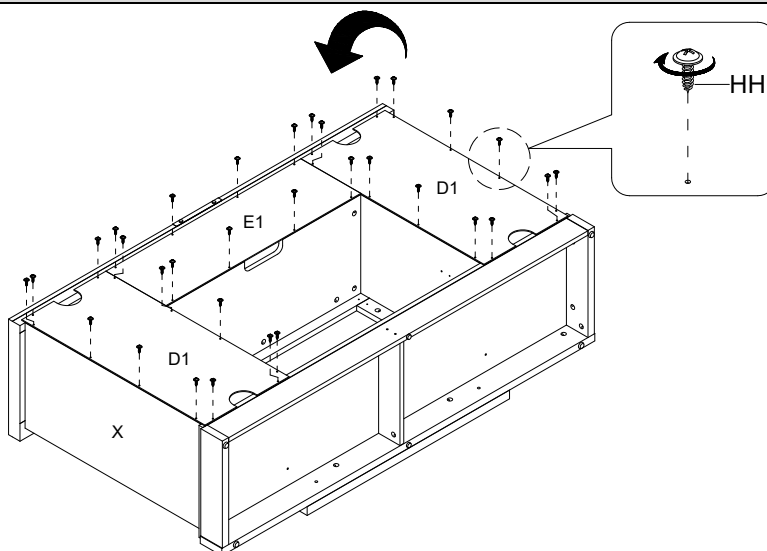


18 Attaching the back panels

- Now, go back and securely tighten all the cam locks and screws. Make sure all the parts are tight and there are no gaps between the parts. This will help keep the unit square.
- Ask for assistance to flip around the previous assembly at its front edges.
- Pick up the middle back panel (E1) and align the pre-drilled holes against the upper long edge with the pilot holes on the back of top panel (K). Fasten it in place with the provided washer head screws (HH).
- Using the pilot holes as a guide, align and attach side back panels (D1) to the mantel frame with the washer head screws (HH).



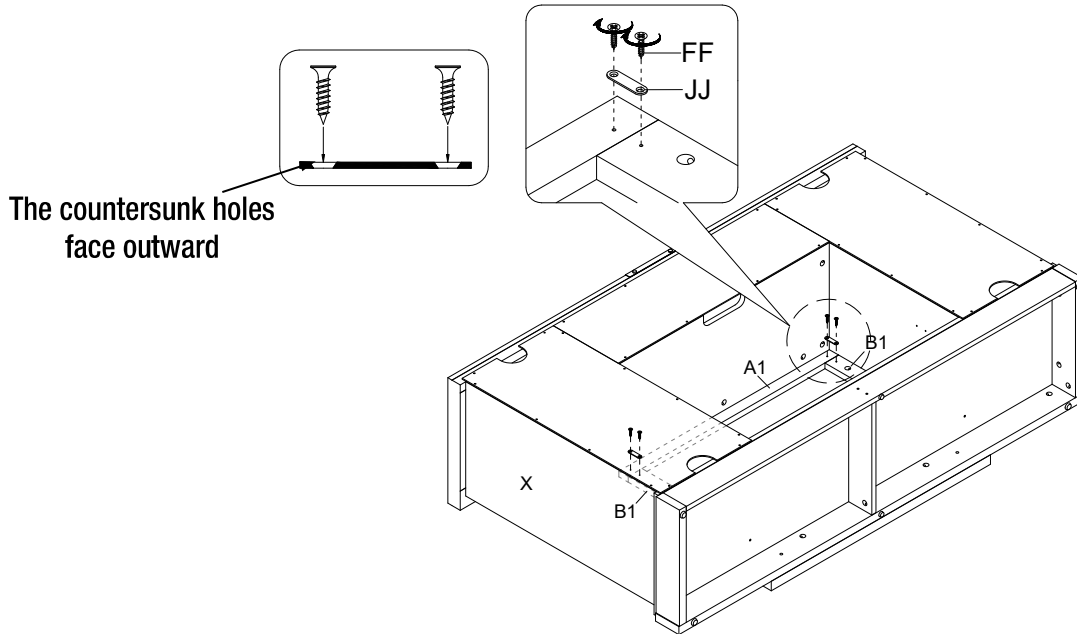
NOTE: We recommend attaching back panel with the screws at the corners first.



Assembly (continued)

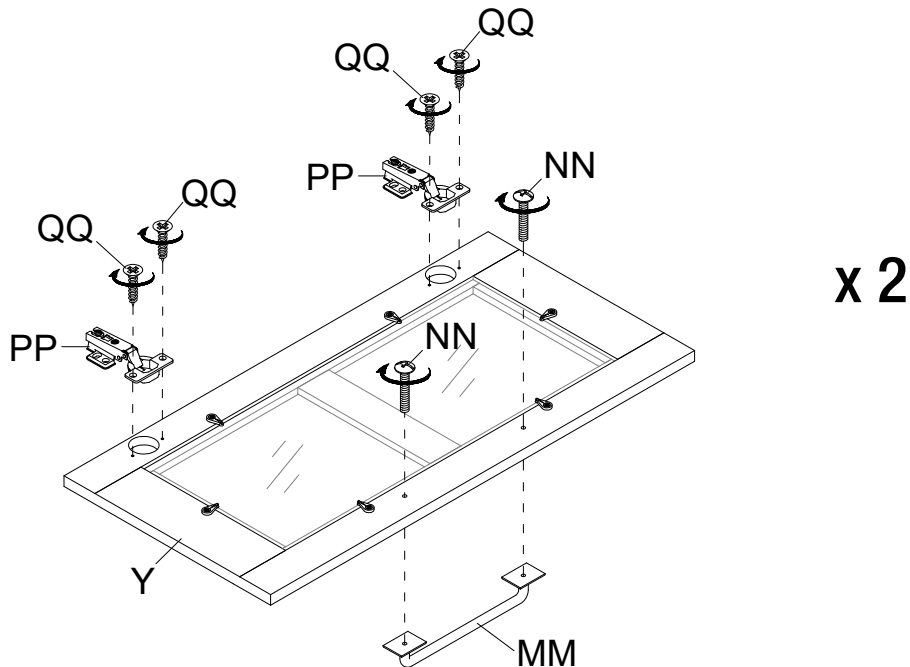
19 Fastening middle crossbar and middle trims

- Using the pilot holes as a guide, attach four metal brackets (JJ) at the joints where the middle crossbar (A1) meets the middle trims (B1), with two short flat head screws (FF) per bracket.



20 Installing the door hinges

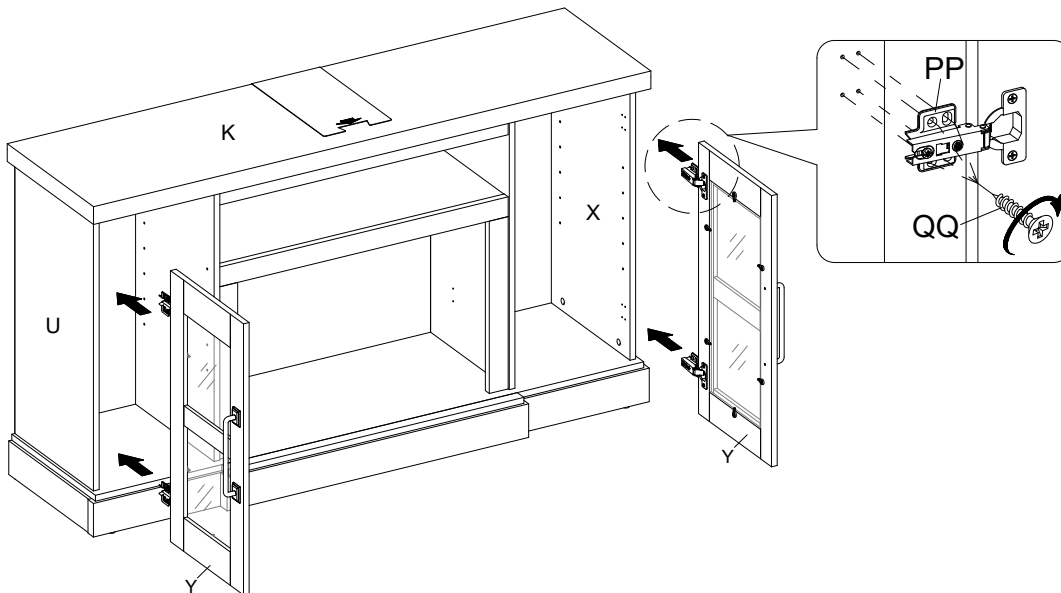
- Extend two door hinges (PP) and rest the hinge cups onto the cutouts of each door (Y). Secure the door hinges (PP) in place by using two zinc screws (QQ) in each.
- Attach one handle (MM) to the front side of each door (Y) with two handle bolts (NN).



Assembly (continued)

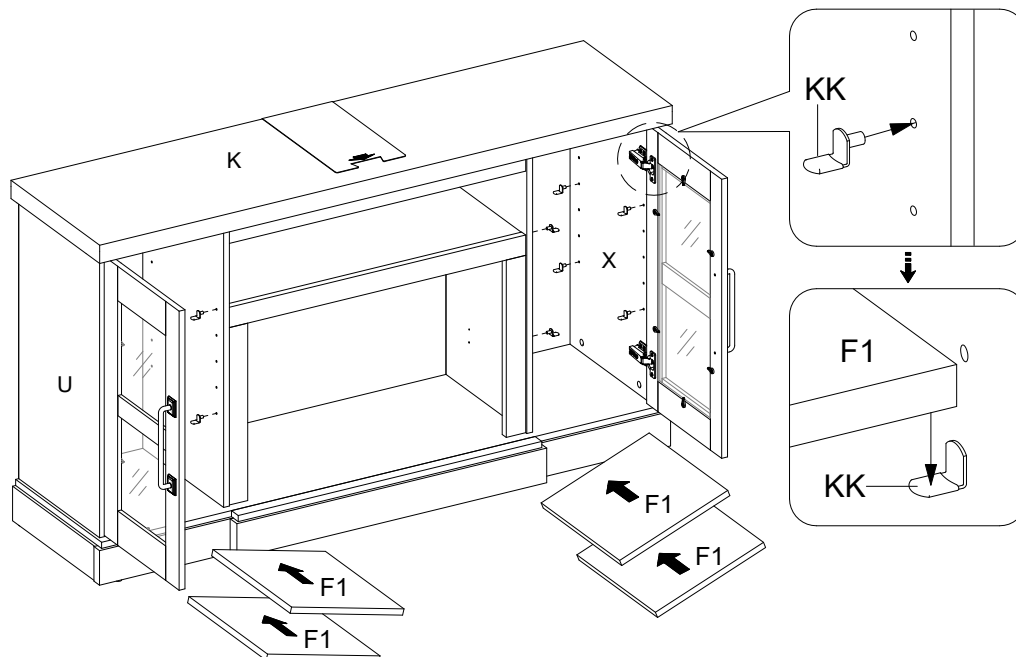
21 Attaching the door panels

- Ask for assistance to lift the assembled unit upright and position it near the final location.
- Pick up one door (Y) and fasten the hinge bases onto the left side panel (U) with four zinc screws (QQ) in each.
- Repeat the same process to attach the other door (Y) to the right side panel (X).
- Open and close the doors to make sure they are aligned and shut correctly. If necessary, adjust the screws for a good fit. Refer to the hinge sticker on door for adjustment.



22 Attaching the adjustable shelves

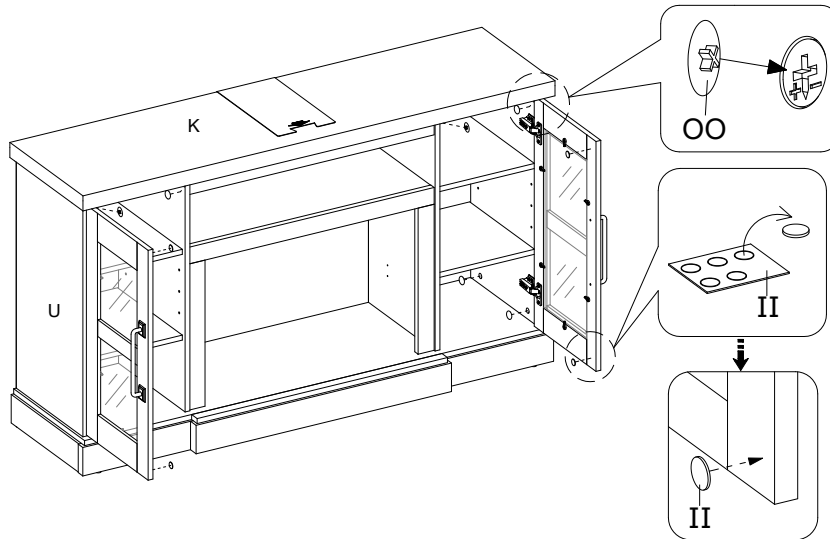
- Open the doors and insert eight shelf supports (KK) in the holes at the desired height inside each side compartment. Make sure you place the four shelf supports in the same level so the shelf is not tilted. Tilt and rest the adjustable shelves (F1) onto the shelf supports.



Assembly (continued)

23 Plugging the cam covers and stick the rubber bumpers

- Plug the cam lock covers (OO) onto the visible cam locks to conceal the cams.
- Stick the rubber bumpers (II) on the outer corners of doors where meet the partition panels (V and W).



IMPORTANT NOTE: Use hand screwdriver, not power driver to assemble fireplace insert. See BILT for video instructions.

24 Attaching upright arms

- See figure A: Fasten upper 2 screws (AA) through the upright arm (C) into the heater (A) until tight.
- See figure B: Fasten lower 2 screws (AA) into the upright arm (C) until tight.
- Fully tighten all 4 screws (AA) one final time.
- Repeat the same process with upright arm (B).



WARNING: Do not lift or transport the heater by using the upright arms.

Figure A

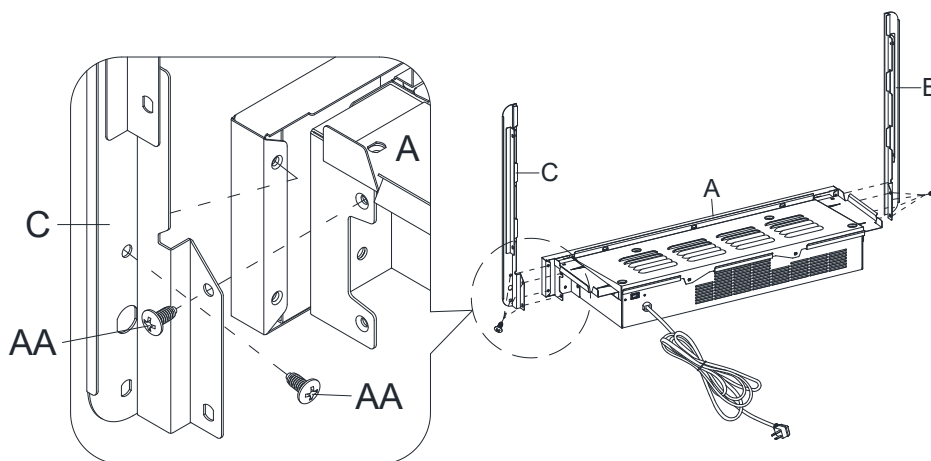
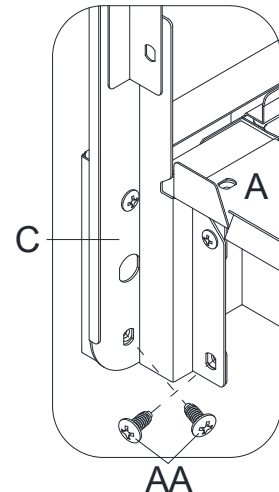


Figure B



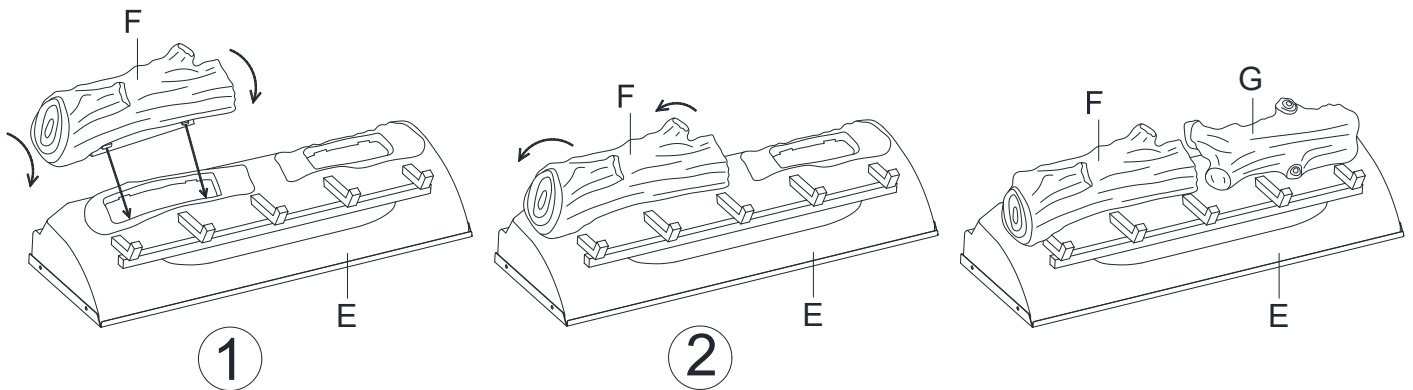
Assembly (continued)

25 Attaching logs to ember bed



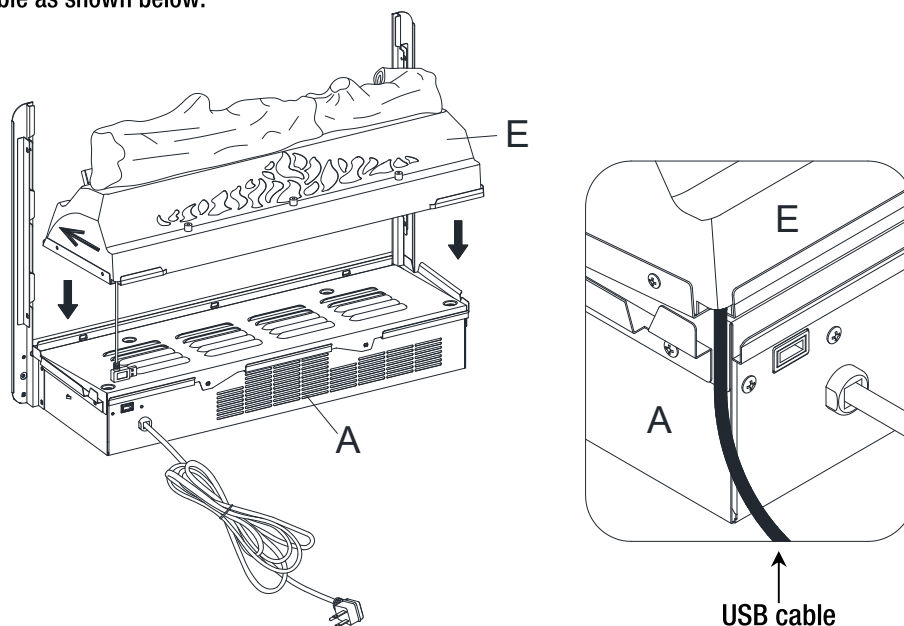
IMPORTANT: Carefully follow the 2 steps below for inserting each log.

1. Install left log (F) into left hole of ember bed (E) by inserting front edge of base of the log into front notches of ember bed hole.
 2. Then tilt the log back to insert the rear edge of the log base into rear notches of ember bed hole (press down log firmly to lock into position).
- Repeat the above process for the right log (G).



26 Positioning ember bed

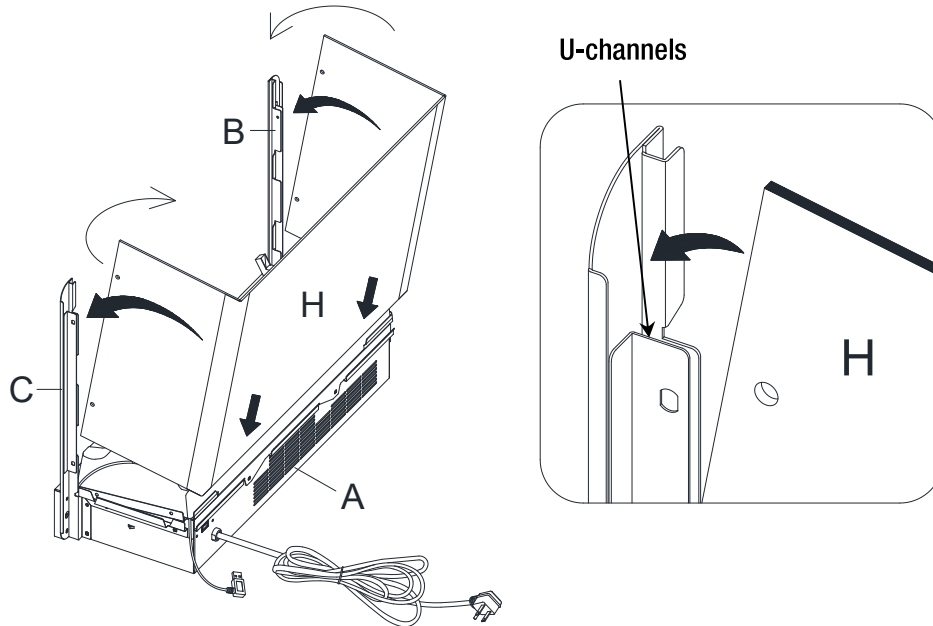
- Set the ember bed (E) onto the heater (A) as shown.
- Push ember bed forward against the front flange of heater.
- Position the USB cable as shown below.



Assembly (continued)

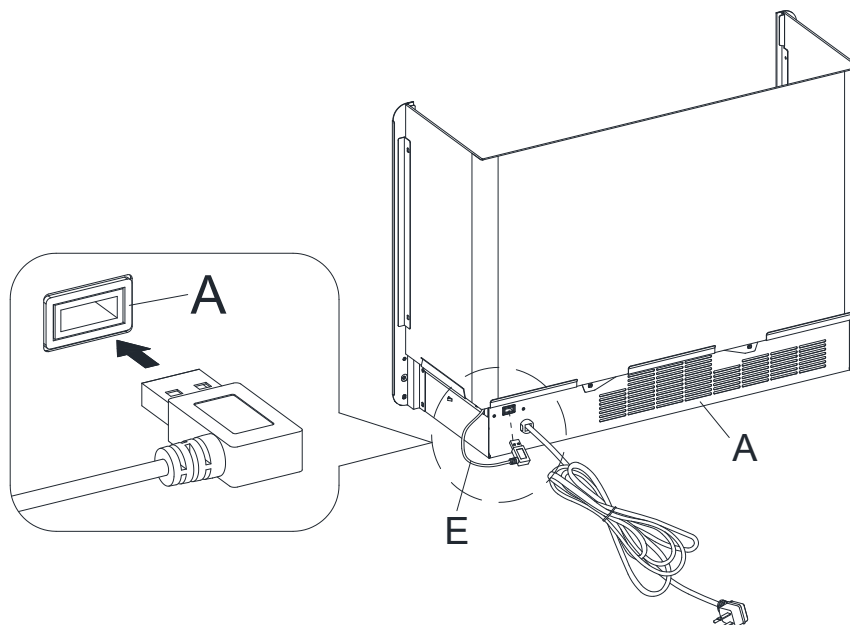
27 Attaching wall panel

- Fold the wall panel (H) as shown. Then position yourself at back side of heater (A).
- Hold wall panel (H) at the angle shown below and insert lower back edge into metal slots on back of heater (A).
- Tilt wall panel (H) forward until bottom corner inserts into lower U-channels on both upright arms (B and C).
- Continue to tilt wall panel (H) forward until the top corner inserts into upper U-channels on both upright arms (B and C).



28 Connecting ember bed cable to heater

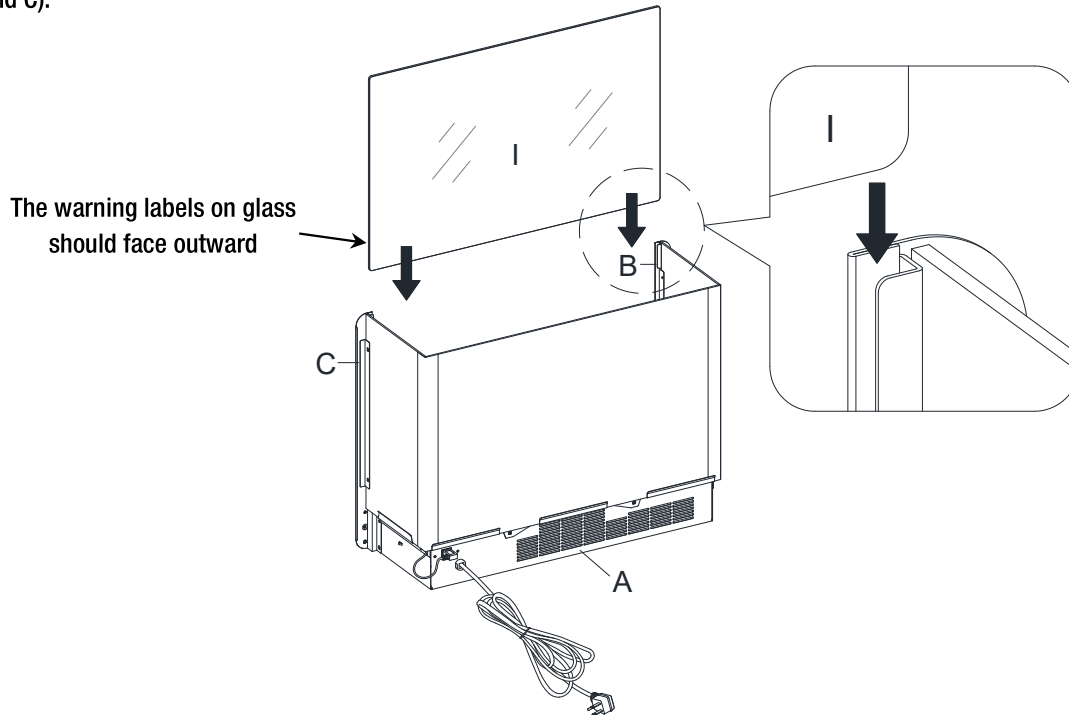
- Fully plug the USB connector of the ember bed (E) into the back port of heater (A).



Assembly (continued)

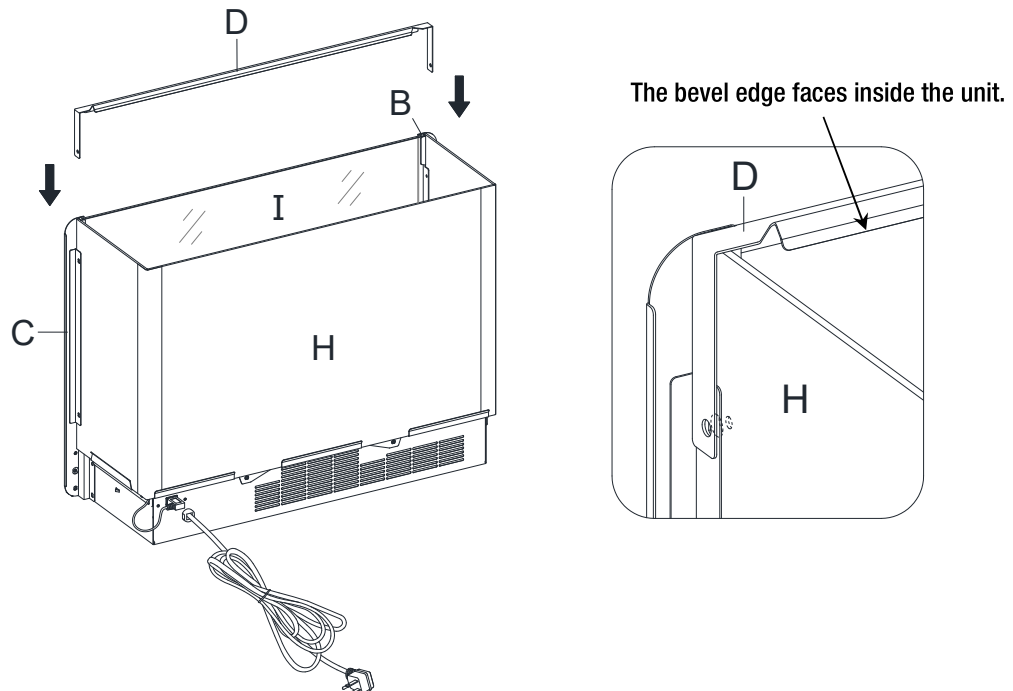
29 Inserting the glass

- Slide the glass (I) into the inner U-channels on both upright arms (B and C) until the glass sits onto the heater (A). If needed, push top of upright arms in or out to accommodate glass. Make sure the top of the glass (I) is flush with the top of both upright arms (B and C).



30 Positioning connector strap

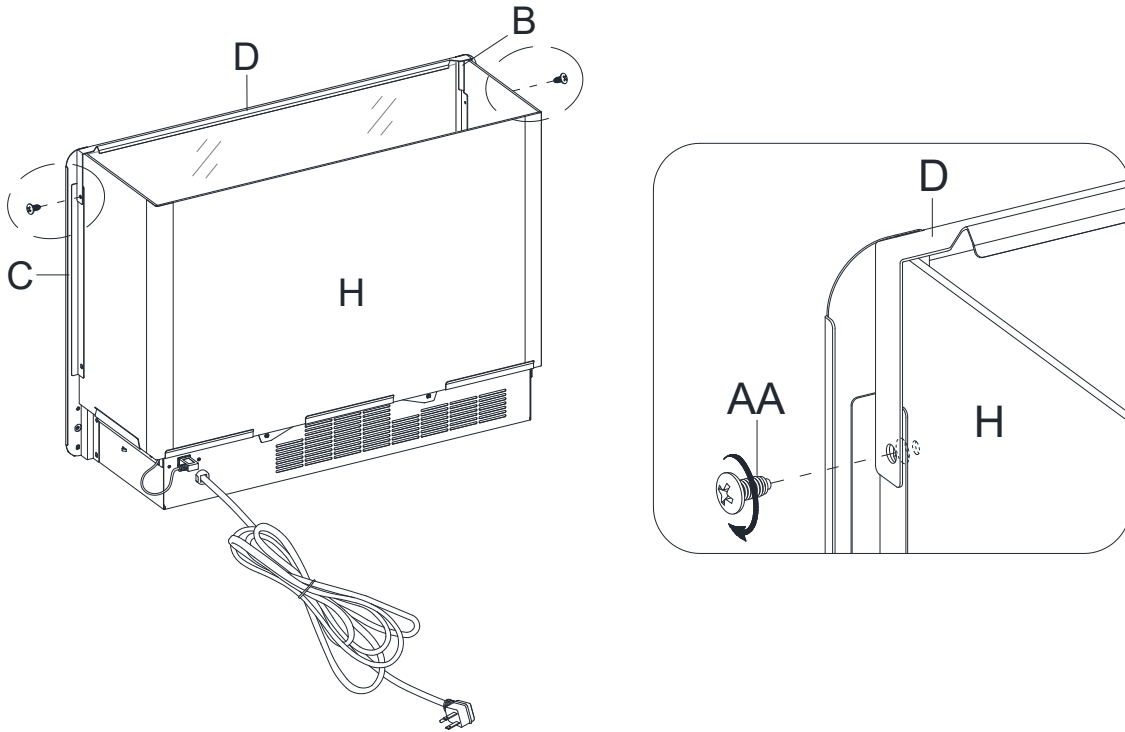
- Position top connector strap (D) over the glass (I) and upright arms (B and C). Follow orientation shown below.



Assembly (continued)

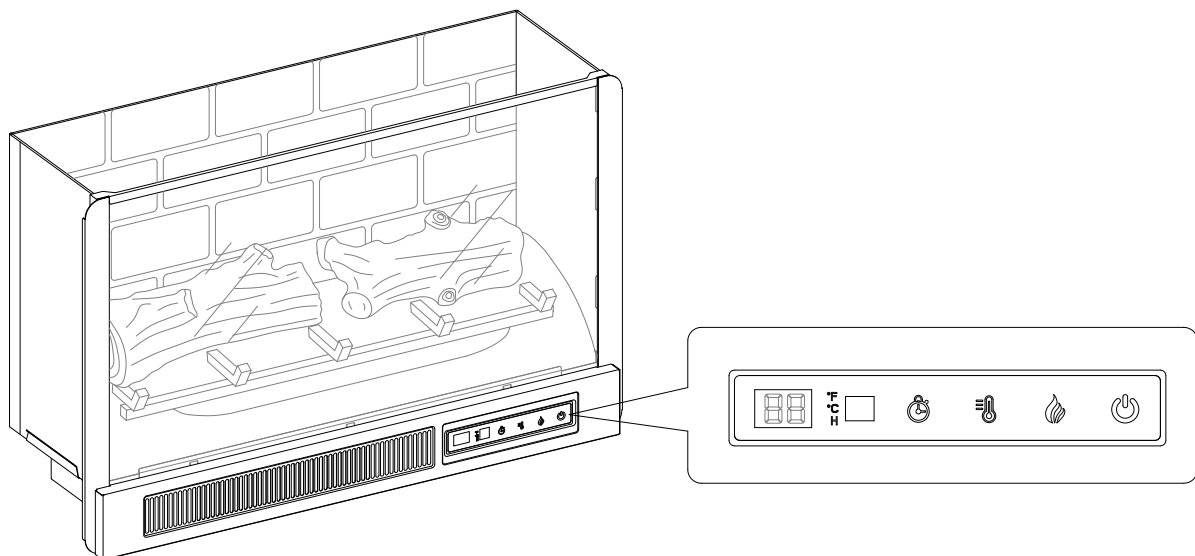
31 Attaching connector strap

- Fasten connector strap (D) to both upright arms (B and C) using two screws (AA) as show below. Holes must be in line for screw to pass through.



32 Finishing fireplace insert assembly

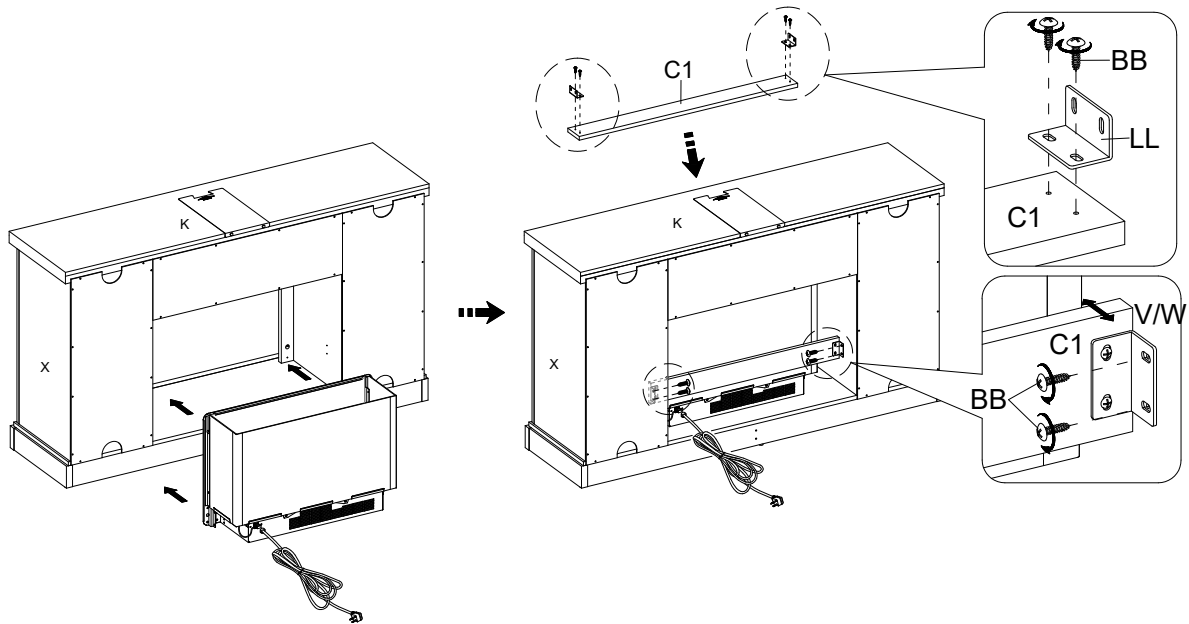
- The firebox is now ready for the next assemble step.



Assembly (continued)

33 Installing the fireplace insert

- Lift the fireplace insert carefully into the back of the assembled mantel and centre it on the bottom panel (M) in the opening.
- Use the pilot holes as a guide, fasten two mending plates (LL) onto the firebox support (C1) with four pan head screws (BB). Make sure that the right angle side is flush with the short edge of firebox support (C1).
- Use the pilot holes as a guide, fasten firebox support (C1) between the partition panels (V and W) with four pan head screws (BB).



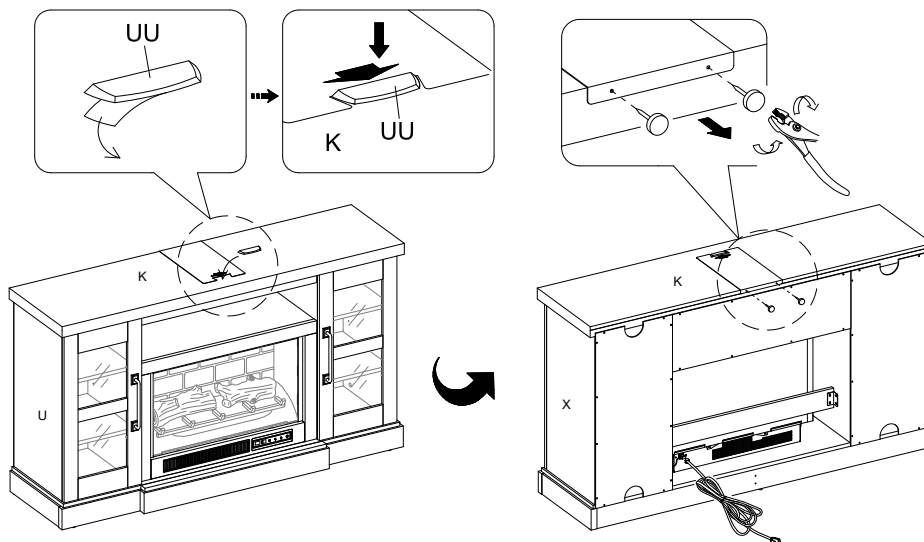
34 Installing the acrylic stopper

- Remove the paper backing of acrylic stopper (UU), then properly align the acrylic stopper into the cutout on the acrylic stopper template on the front of the top panel (K). Press down on the acrylic stopper to help adhesion.



NOTE: To prevent your TV from tipping, you must install the acrylic TV stopper if you place a flat panel television on the top panel. Otherwise, skip to next step.

- At the back of top panel (K), grip the heads of plastic tacks with pliers, with twisting motion pull tacks loose to remove the acrylic stopper template.



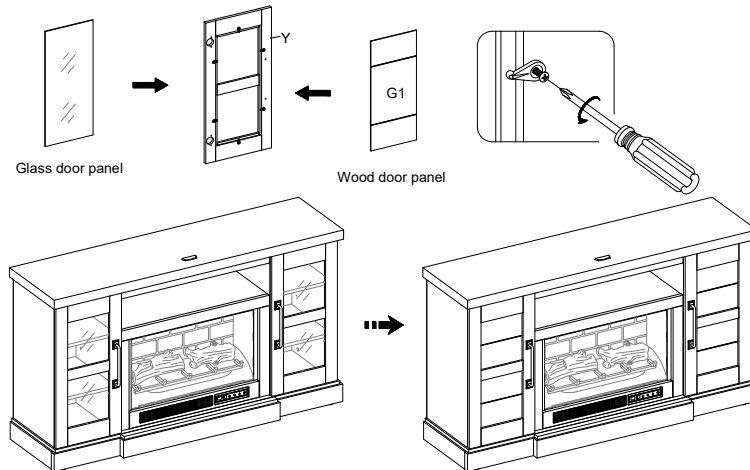
Assembly (continued)

35 Interchanging the wood door panels

- To change door panels, loosen the screws on the inside of the door and rotate the clips to remove the panel. Replace with the desired panel, then rotate clips to secure the panel within the door frame and tighten screws.



NOTE: The glass door panels are pre-attached when shipping. You can keep as is or interchange as the desired configuration.

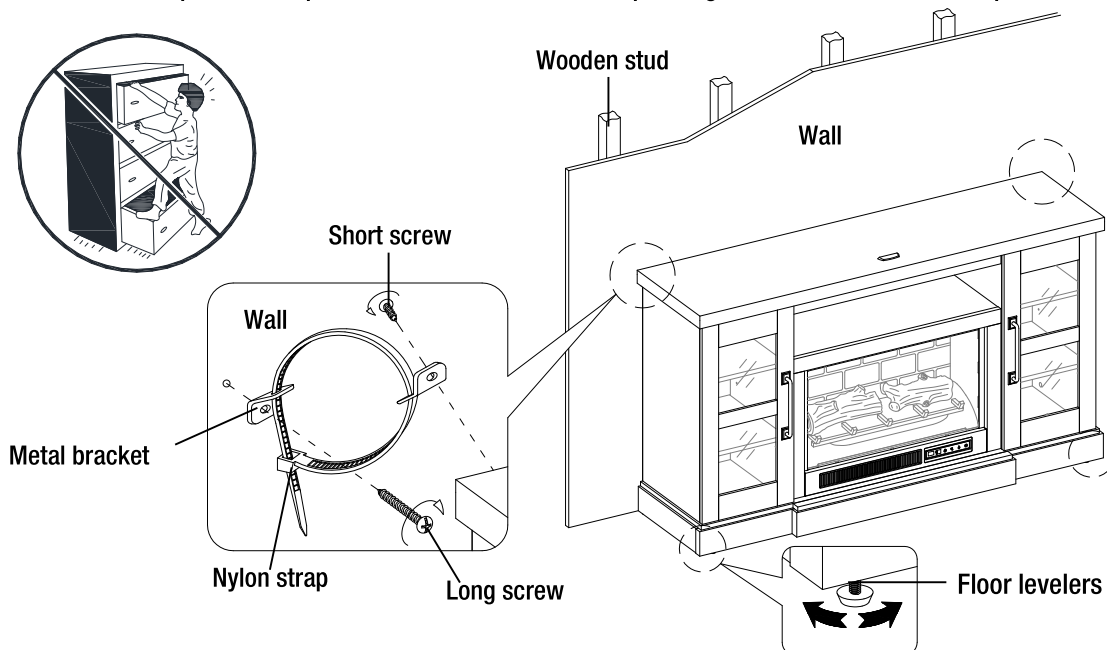


36 Installing the tipping restraint hardware



WARNING: Young children can be seriously injured by tipping furniture. You must install the tipping restraint hardware with the unit to prevent the unit from tipping, causing any accidents or damage. The tipping restraints are intended only as a deterrent, they are not a substitute for proper adult supervision. The tipping restraints are not earthquake restraints. If you wish to add the extra security of earthquake restraints, they must be purchased and installed separately.

- With assistance, position the assembled fireplace at the desired location against a wall. If necessary, adjust the pre-attached floor levelers by hand to correct tilting and level the doors, until the unit is level.
- Follow the instructions printed on the plastic bag containing the tipping restraint hardware to attach the tip-over restraints to the unit and the wall.
- Connect the fireplace to the power transformer. Follow the operating manual for the electric fireplace insert to control your fireplace.



Care and Maintenance

A touch-up pen has been provided to minimize the small nicks or scratches that may occur during assembly or shipping.

To clean and care for your furniture:

- ❑ Use a soft, clean cloth that will not scratch the surface when dusting.
- ❑ Use of furniture polishes is not necessary. Should you choose to use polishes, test first in an inconspicuous area.
- ❑ Using solvents of any kind on your furniture may damage the finish.
- ❑ Never use water to clean your furniture as it may cause damage to the finish.
- ❑ Always use coasters under beverage glasses and flowerpots.
- ❑ Liquid spills should be removed immediately. Using a soft clean cloth, blot the spill gently. Avoid rubbing.
- ❑ Always use protective pads under hot dishes and plates. Heat can cause chemical changes that may create spotting within the furniture finish.
- ❑ In the event that your furniture is stained or otherwise damaged during use, we recommend that you call a professional to repair your furniture.
- ❑ Check bolts/screws periodically and tighten them if necessary.

CARING FOR WOOD FURNITURE

It is best to keep your furniture in a climate-controlled environment. Extreme temperature and humidity changes can cause fading, warping, shrinking and splitting of wood. It is advised to keep furniture away from direct sunlight as sun may damage the finish.

Proper care and cleaning at home will extend the life of your purchase. Following these important and helpful tips will enhance your furniture as it ages.

CLEANING THE FIREPLACE TRIM

Clean the metal trim using a soft cloth, slightly dampened with citrus oil based product and buff with a clean soft cloth. DO NOT use brass polish or household cleaners as these products will damage the metal trim. Citrus oil based products can be obtained at supermarkets or hardware stores.



WARNING

- Unit must be placed on a level surface or leveled with included hardware (when applicable).
- Do not sit or stand on or allow children to climb, sit or stand on the assembled product.
- For safety reasons, it is imperative that this unit be mounted to the wall or floor.
- Unit can tip over causing severe injury or death.
- Never open more than one drawer at a time.
- Do not exceed the recommended weight limits.
- Before cutting, drilling or hammering into any wall or floor surface, verify the location of electrical, plumbing and gas lines. Cutting may cause serious injury.

StyleWell.™

Questions, problems, missing parts? Before returning to the store,
call StyleWell Customer Service
8 a.m. - 7 p.m., EST, Monday-Friday, 9 a.m. - 6 p.m., EST, Saturday

1-877-527-0313

HOMEDEPOT.COM

Retain this manual for future use.