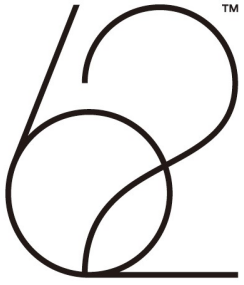


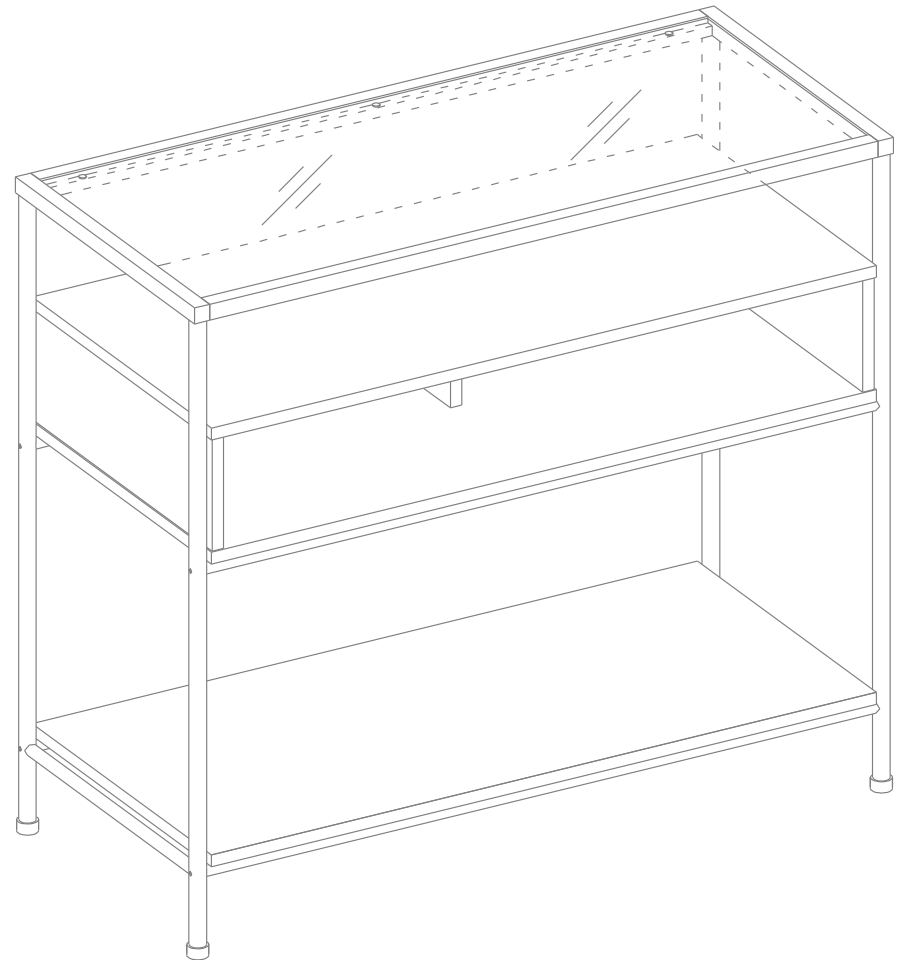
PROJECT



# Fulham Glass Top Console Table with Wood Shelves

Style # V81213-1

DPC-item # 249-17-3893



>> Assembly instructions



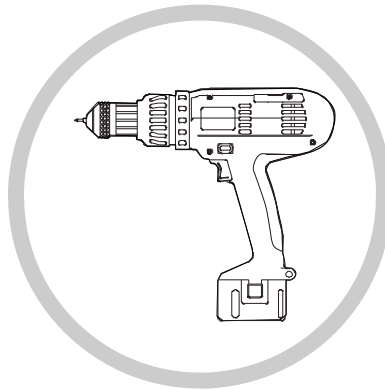
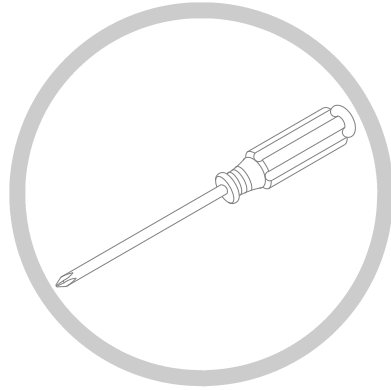
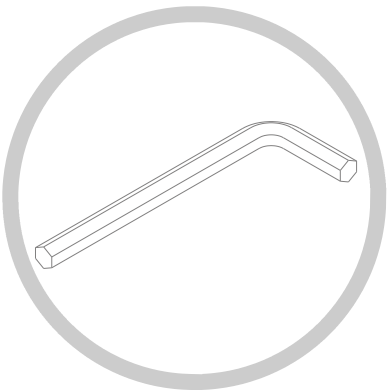
Congratulations on your latest Target purchase.

Now what? Don't start sweating over this box of parts. This will be easy. We did the hard work for you. All you need to do is follow our simple instructions and you'll be on your way to transforming your room in no time. Good luck – though we're confident you won't need it.

## before you begin

1. Check for damaged or missing parts. Call 1-855-MYTGTHOME (855-698-4846) to order missing supplies.
2. Use the carton as a work surface to prevent product damage during assembly.
3. Gather all tools prior to assembly.

## tool needed (only hex wrench included)



For tipping restraint hardware kit only.

**⚠ WARNING**



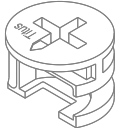
**Children have died from furniture tipover.  
To reduce the risk of furniture tipover:**

- ALWAYS install tipover restraint provided.
- NEVER put a TV on this product.
- NEVER allow children to stand, climb or hang on drawers, doors, or shelves.
- NEVER open more than one drawer at a time.
- Place heaviest items in the lowest drawers.

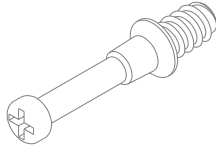
**Use of tip-over restraints may only reduce,  
but not eliminate, the risk of tip-over.**

# hardware

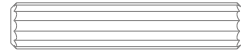
(H1) x 10  
cam lock



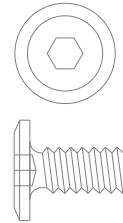
(H2) x 10  
cam bolt



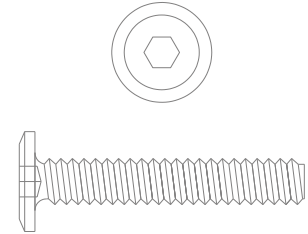
(H3) x 10  
M6 x 30 mm  
wood dowel



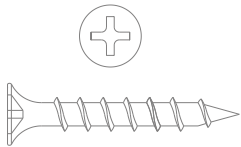
(H4) x 4  
1/4" x 13 mm bolt



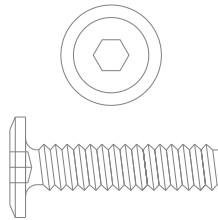
(H5) x 8  
1/4" x 35 mm bolt



(H6) x 8  
M4 x 30 mm  
flat head screw



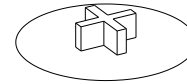
(H7) x 8  
1/4" x 25 mm bolt



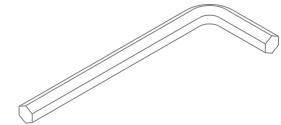
(H8) x 6  
glass bumper



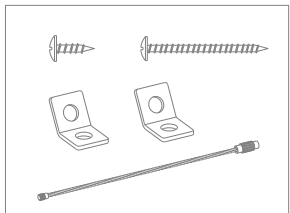
(H9) x 10  
cam lock cover



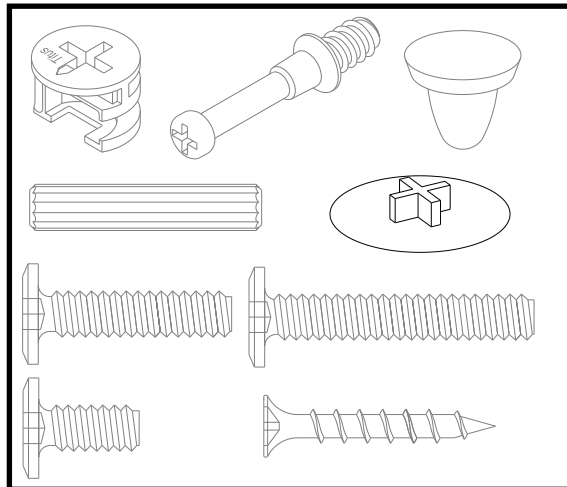
(H10) x 1  
hex wrench



(H11) x 2  
tipping restraint hardware kit  
(inside plastic bag)

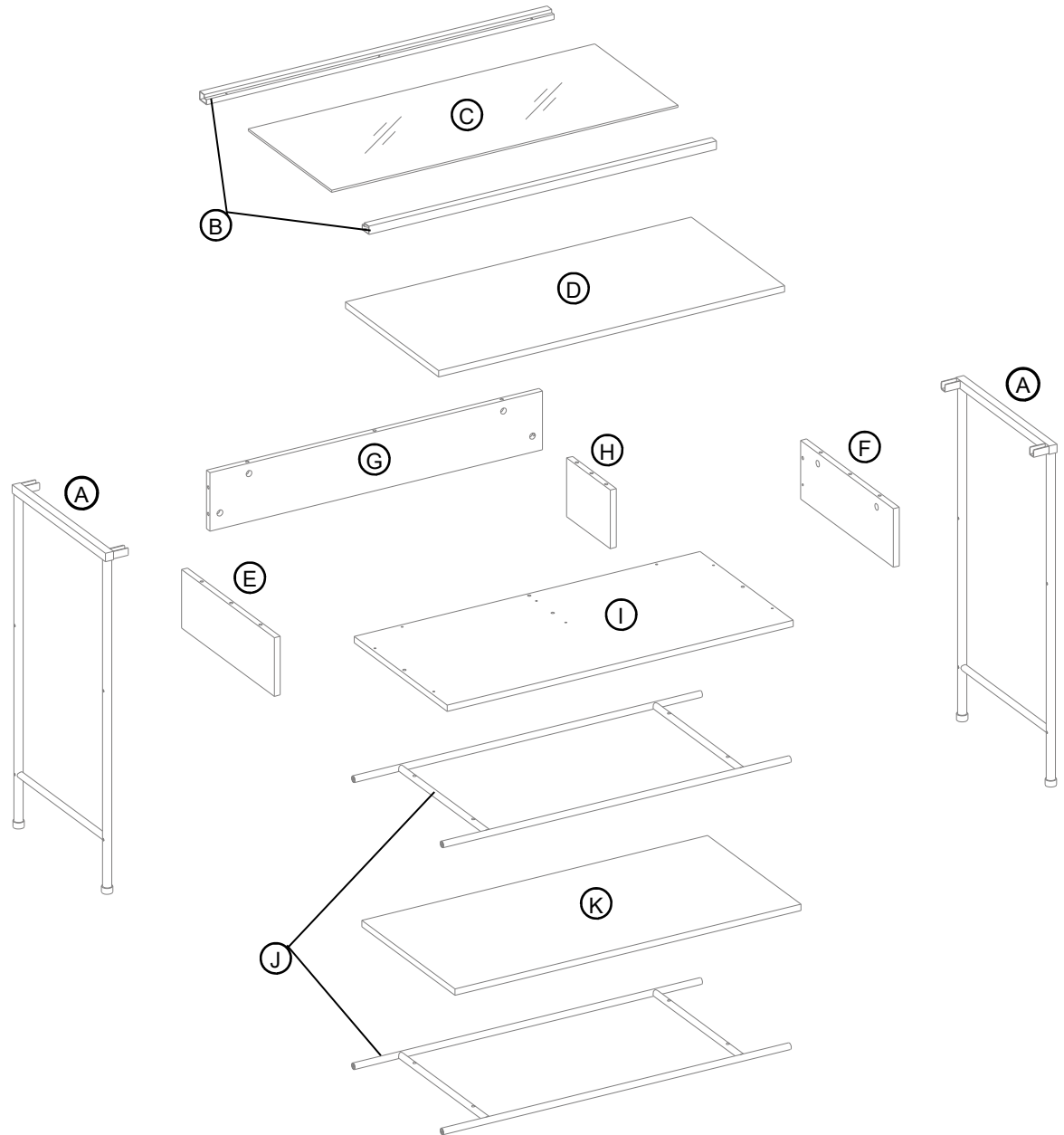


## Spare hardware



## exploded diagram

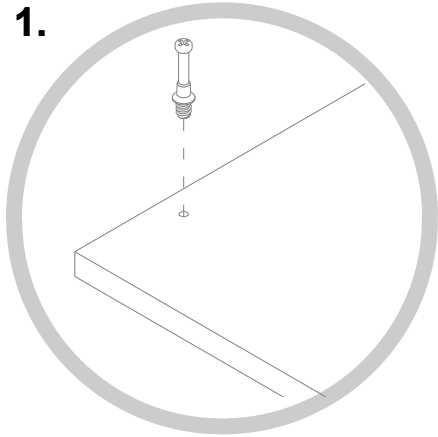
ITEM	DESCRIPTION	QTY
A	Side frame	2
B	Top stretcher	2
C	Glass top	1
D	Compartment top panel	1
E	Left side panel	1
F	Right side panel	1
G	Back panel	1
H	Partition panel	1
I	Compartment bottom panel	1
J	Middle / bottom stretcher	2
K	Wood shelf	1



# how to use the cam lock system

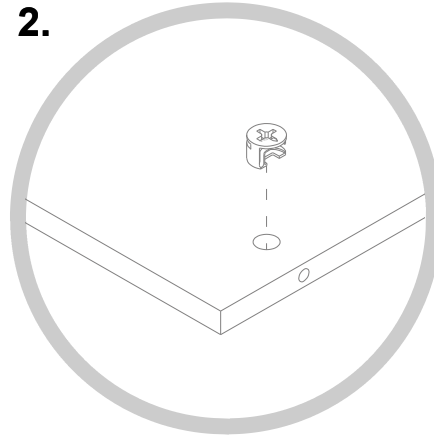
---

1.



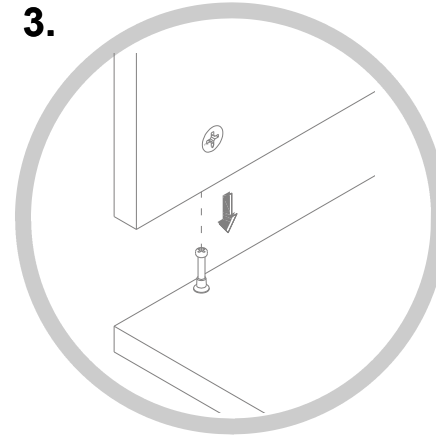
Screw cam bolt into panel

2.



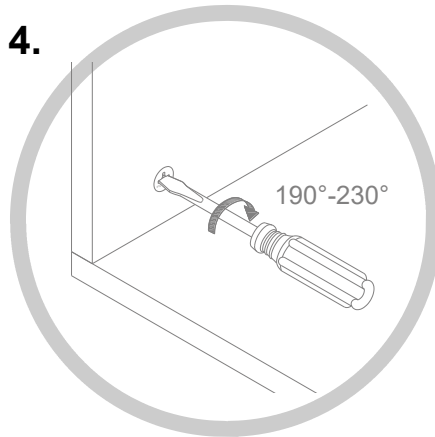
Push cam into panel - arrow feature on cam top points to panel edge

3.



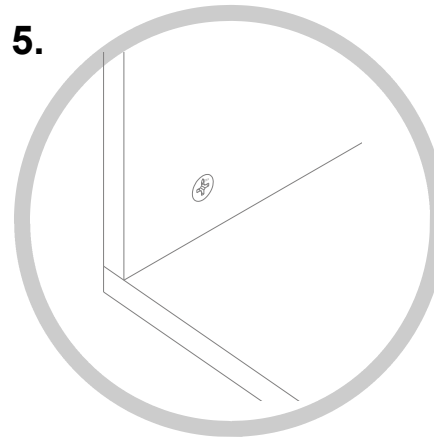
Align cam bolt(s) with cam(s) and insert all the way into cross-bored hole(s)

4.



Rotate cam(s) clockwise 190°-230° to lock panels together

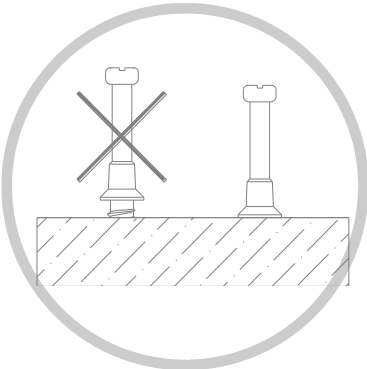
5.



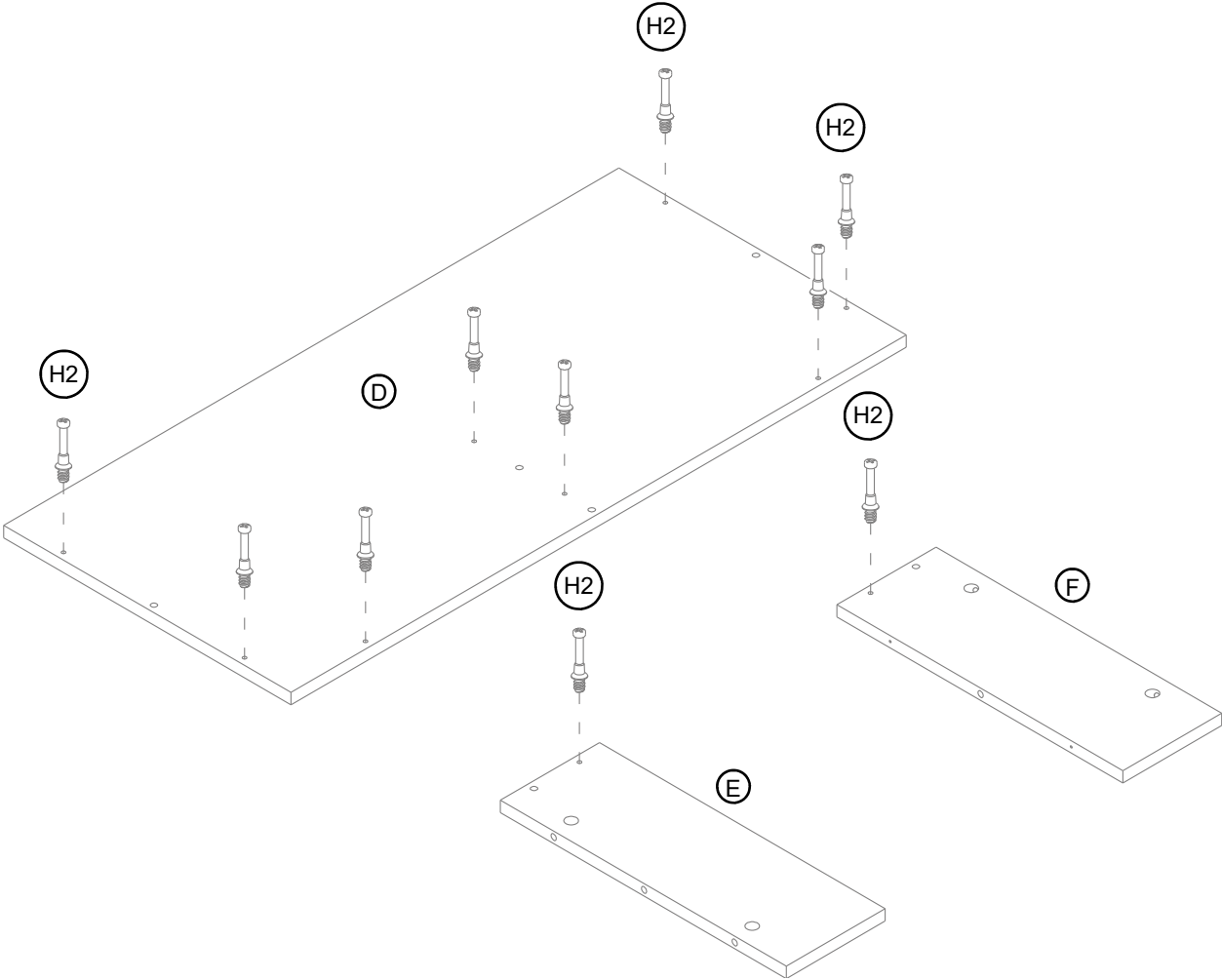
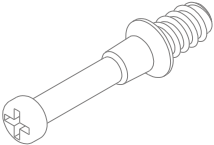
Panels should be tight against each other and connection should be rigid

# step 1: screw-in cam bolts

---



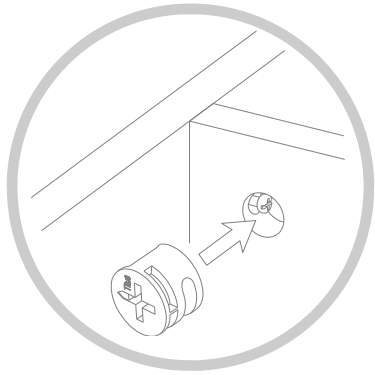
(H2) x 10  
cam bolt



1.1. Screw-in the cam bolts on the compartment top panel (D) and the side panels (E and F).

## step 2: attach side panels

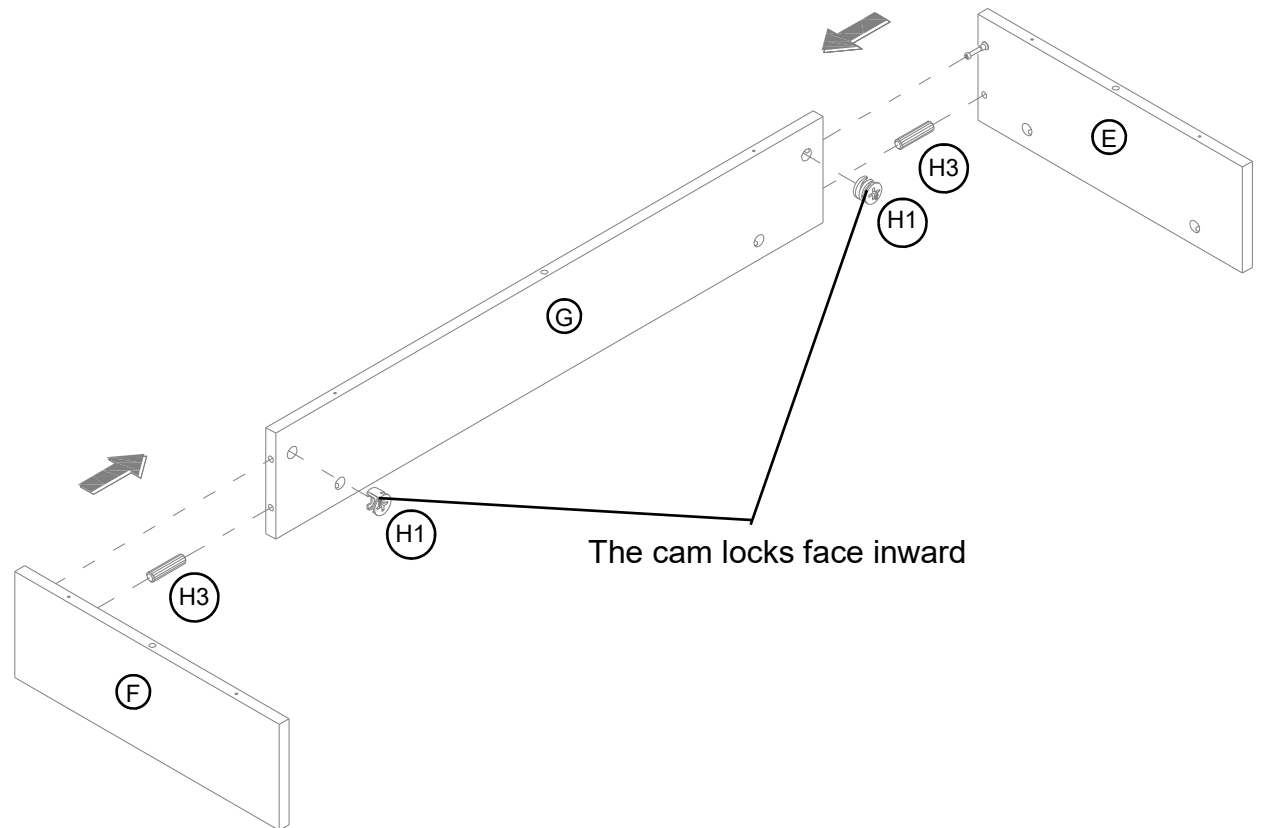
---



**(H1) x 2**  
cam lock



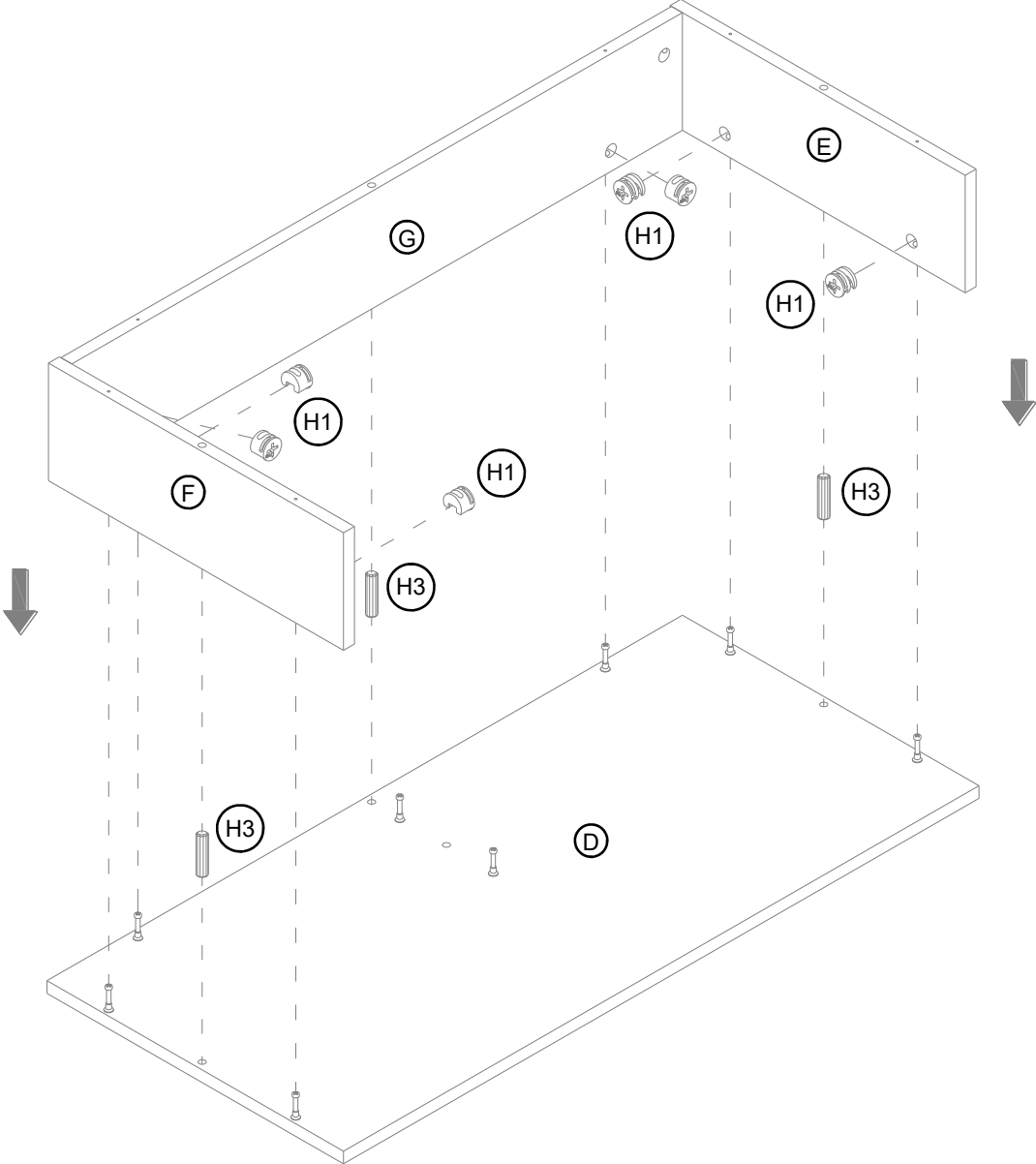
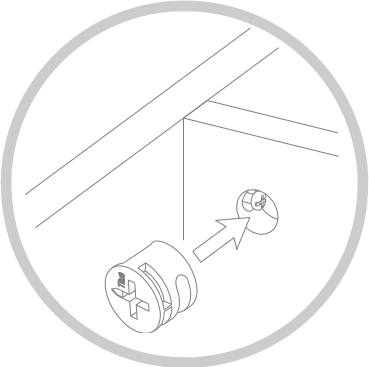
**(H3) x 2**  
M6 x 30 mm  
wood dowel



2.1. Attach the back panel (G) between the side panels (E and F).



# step 3: assemble compartment top panel



(H1) x 6  
cam lock

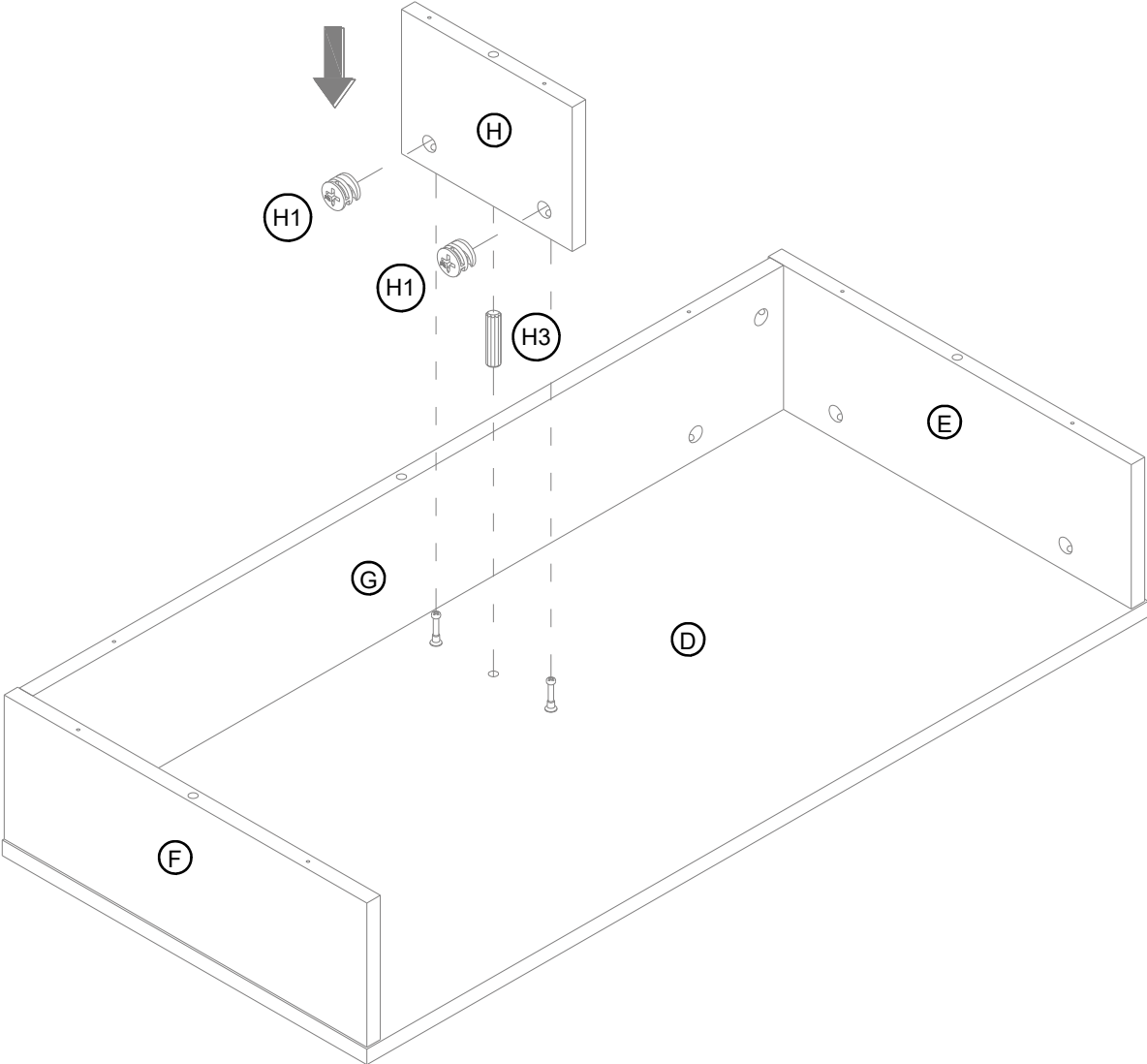
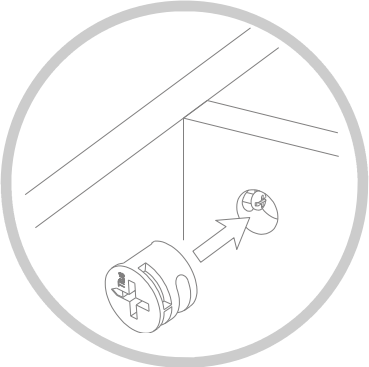
(H3) x 3  
M6 x 30 mm  
wood dowel



3.1. Attach the previous assembly to the compartment top panel (D).

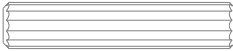
# step 4: attach partition panel

---



(H1) x 2  
cam lock

(H3) x 1  
M6 x 30 mm  
wood dowel

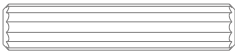


4.1. Attach the partition panel (H) to the compartment top panel (D).

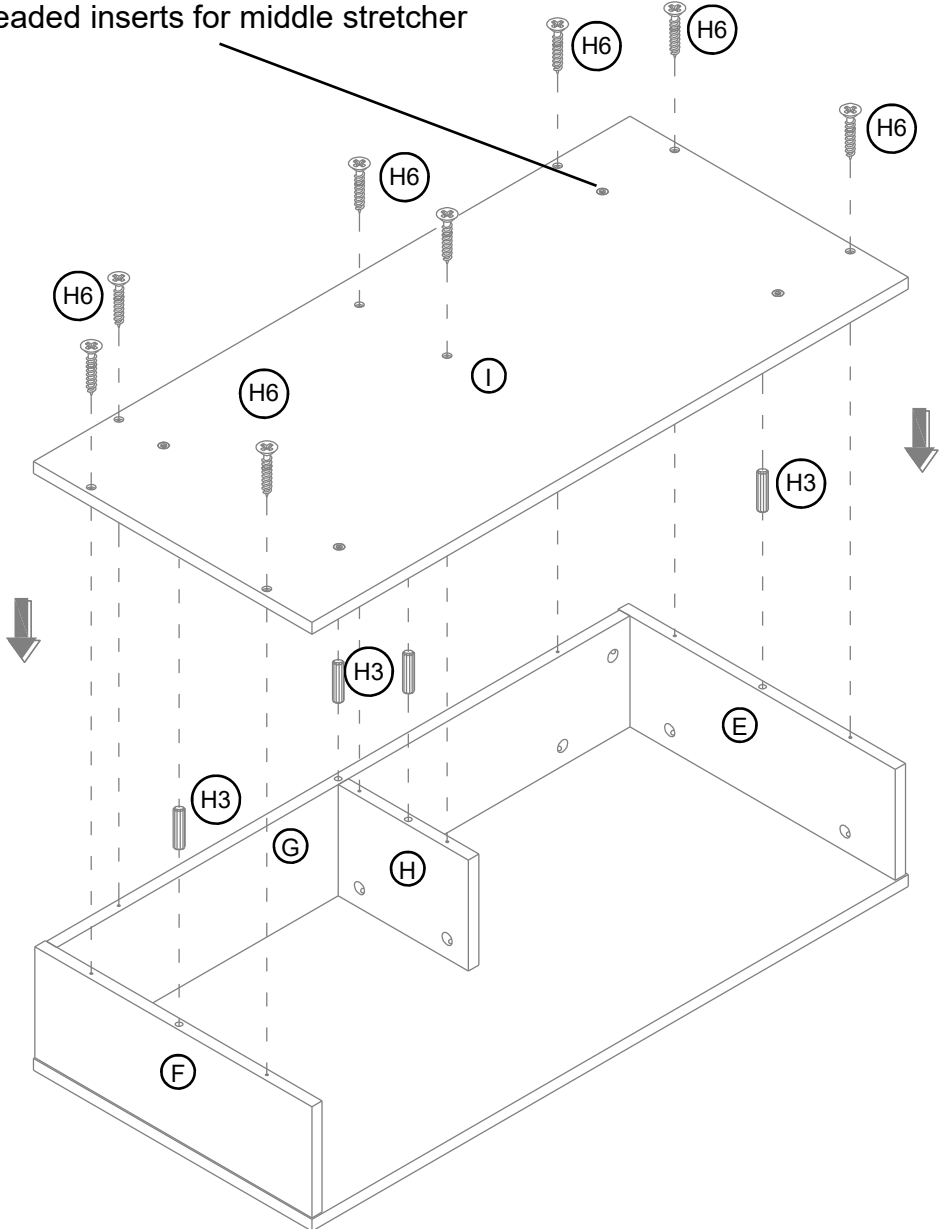
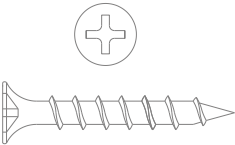
# step 5: attach compartment bottom panel

The threaded inserts for middle stretcher

(H3) x 4  
M6 x 30 mm  
wood dowel



(H6) x 8  
M4 x 30 mm  
flat head screw



5.1. Using the pilot holes as a guide, attach the compartment bottom panel (I) to the previous assembly.

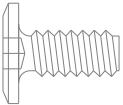
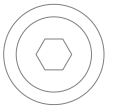
## step 6: attach stretchers

---

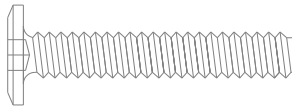
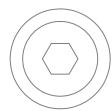
**NOTE:** DO NOT fully tighten all bolts until you finish assembling all parts. Once assembled, go back and fully tighten all bolts. This will make the assembly easier.

---

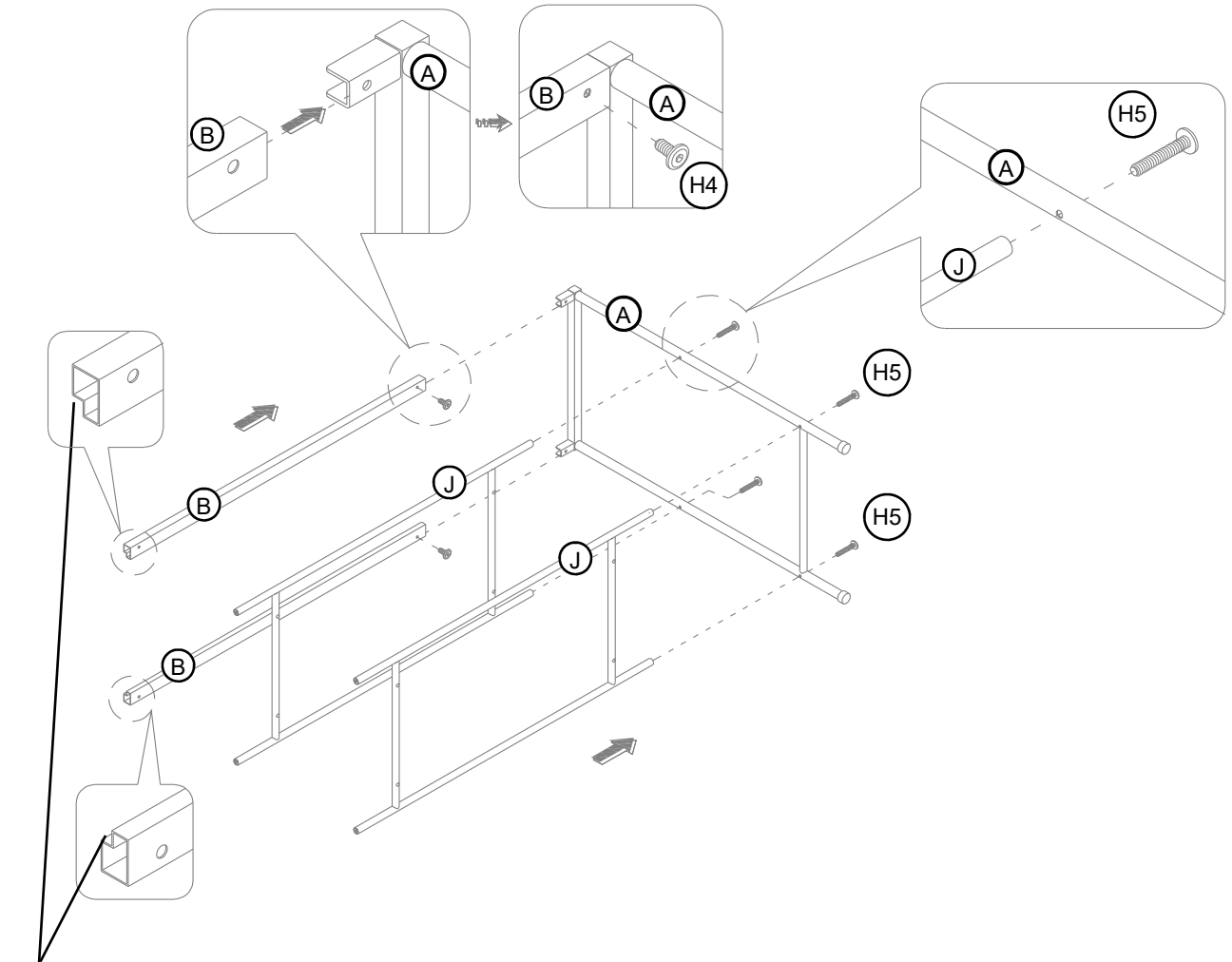
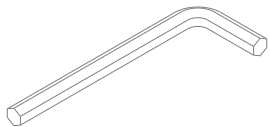
**(H4) x 2**  
1/4" x 13 mm bolt



**(H5) x 4**  
1/4" x 35 mm bolt



**(H10) x 1**  
hex wrench

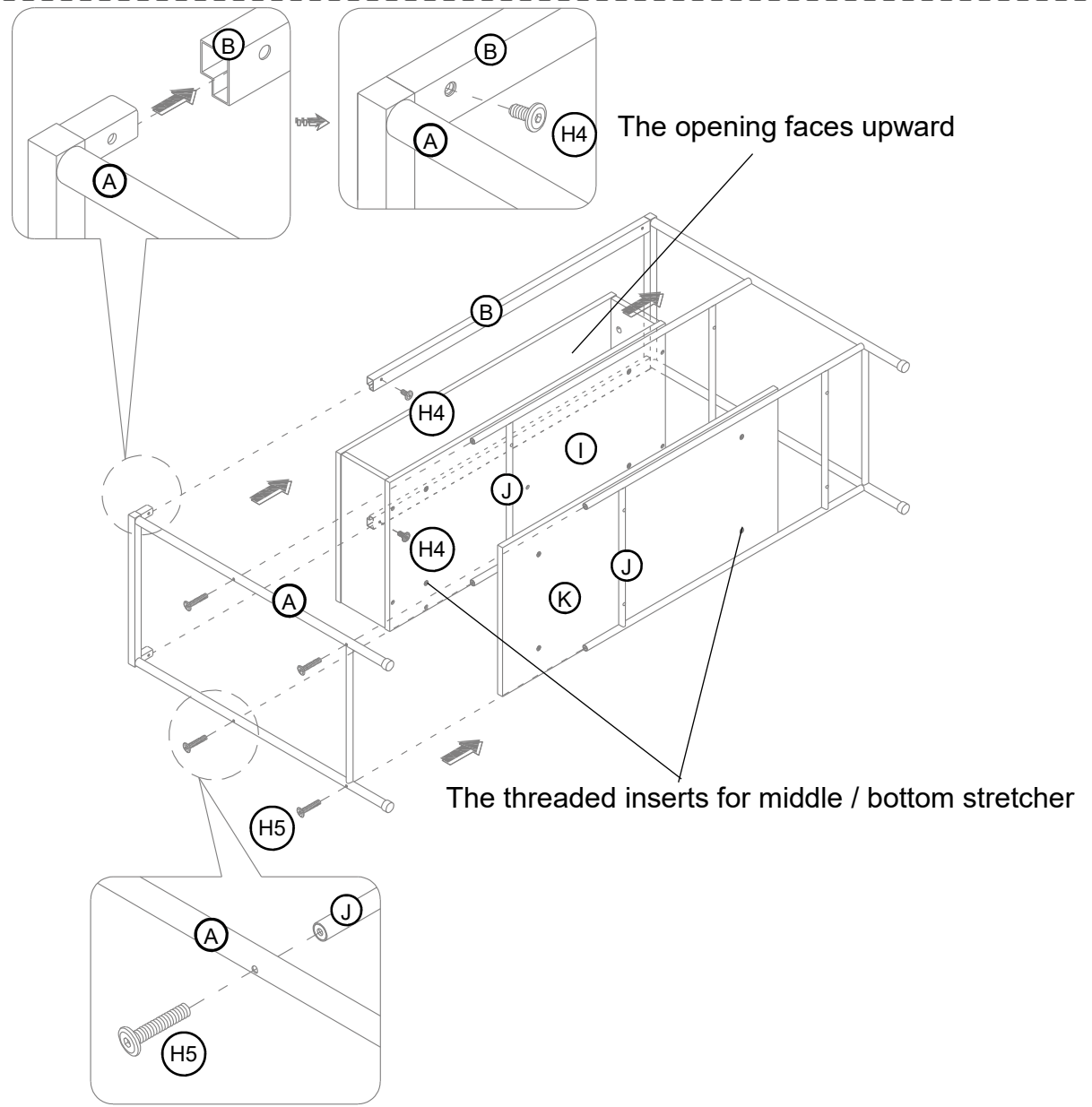


The slots for glass shelf face inward.

- 6.1. Fit the top stretchers (B) to the U-shaped brackets on one side frame (A) and fasten them in place.
- 6.2. Attach the middle / bottom stretchers (J) to the side frame (A).

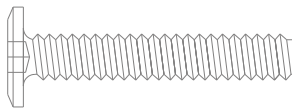
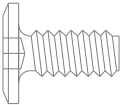
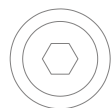
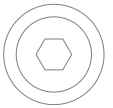
## step 7: place the assembled compartment, shelf and attach left side frame

**NOTE:** DO NOT fully tighten all bolts until you finish assembling all parts. Once assembled, go back and fully tighten all bolts. This will make the assembly easier.

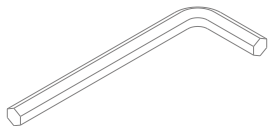


(H4) x 2  
1/4" x 13 mm bolt

(H5) x 4  
1/4" x 35 mm bolt



(H10) x 1  
hex wrench

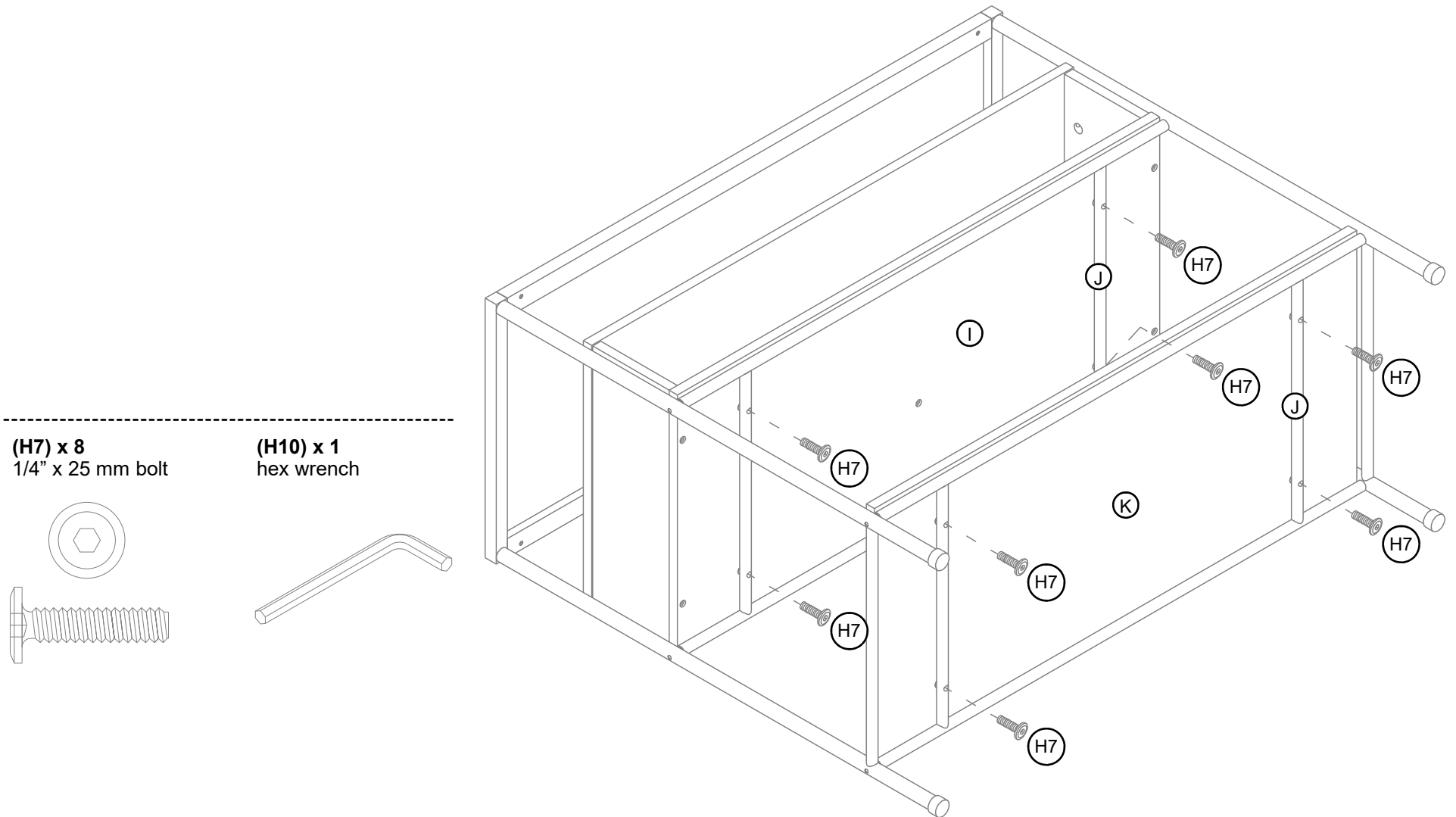


7.1. Place the assembled compartment against the middle stretcher (J), and place the wood shelf (K) against the bottom stretcher (J).

7.2. Repeat the same procedure to attach the other side frame (A) at the opposite end.

## step 8: fasten the compartment and wood shelf

---



8.1. Firmly press the assembled compartment against the middle stretcher (J) and fasten it into place. Make sure that the mounting holes overlap the threaded inserts underneath the compartment bottom panel (I) and the wood shelf (K) properly.

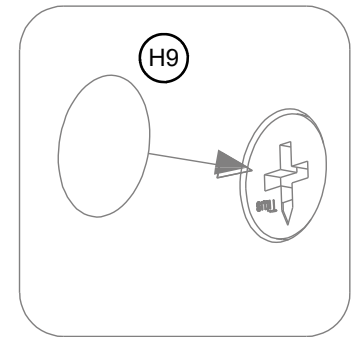
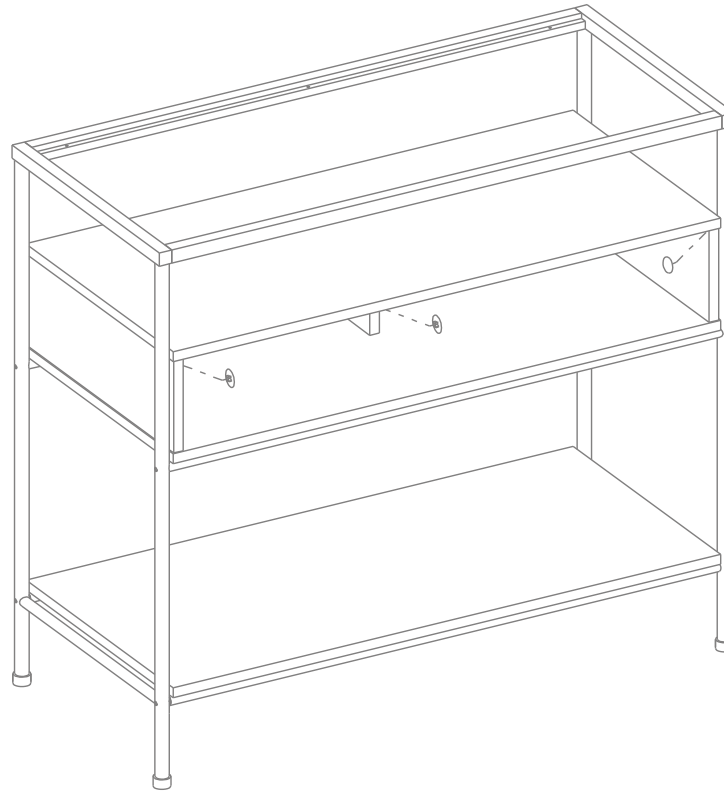
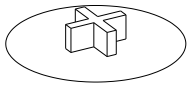
8.2. Repeat the same procedure to attach the wood shelf (K).

## step 9: plug cam lock covers

---

---

**(H9) x 10**  
cam lock cover



- 9.1. Stand the unit upright and position it at a desired location.
- 9.2. Plug the cam lock covers onto the visible cam locks to conceal the cams.

## step 10: install glass top

---

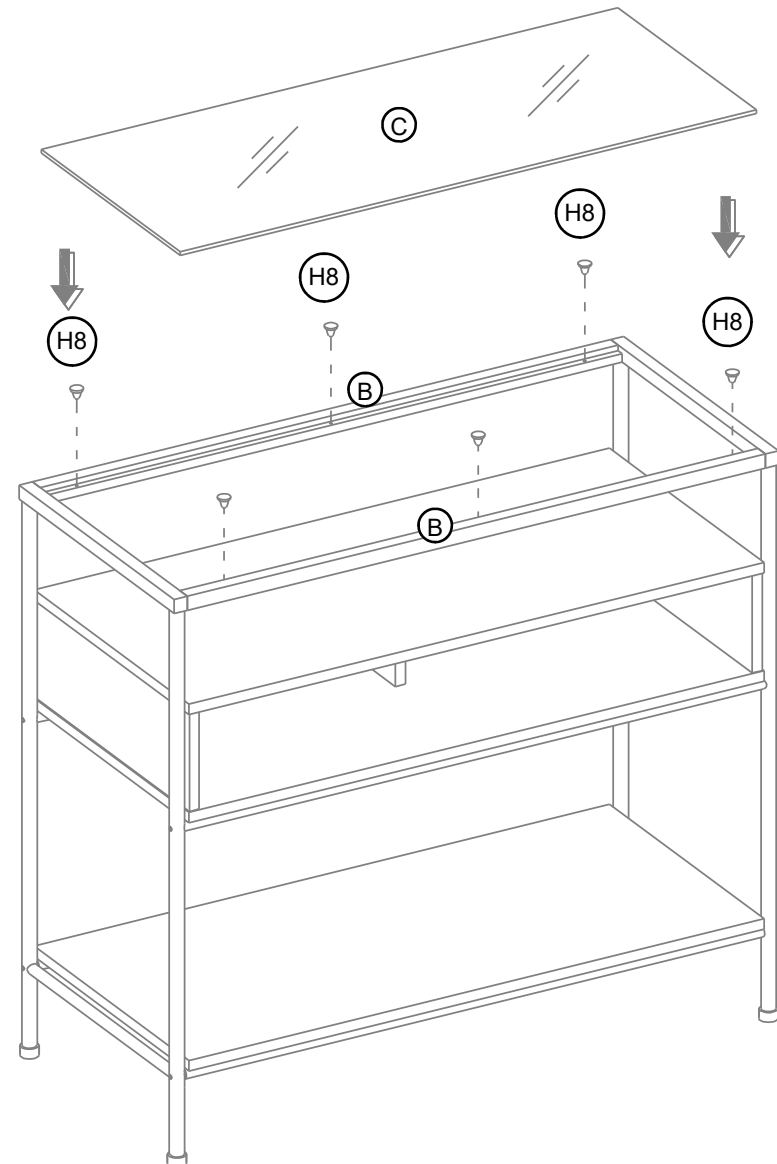
### CAUTION

Go back and fully tighten all bolts before installing the glass top. Make sure that all the upper stretchers and side frames are flush with each other.

The four corners are the most weak portion of the glass. **DO NOT** bump any corner against the metal tubes when installing the glass top, which may cause possible injury.

---

(H8) x 6  
glass bumper



- 10.1. Firmly put the glass bumpers into the available holes on the slot of top stretchers (B).
- 10.2. Gently place the glass top (C) onto the glass bumpers on the top stretchers (B).

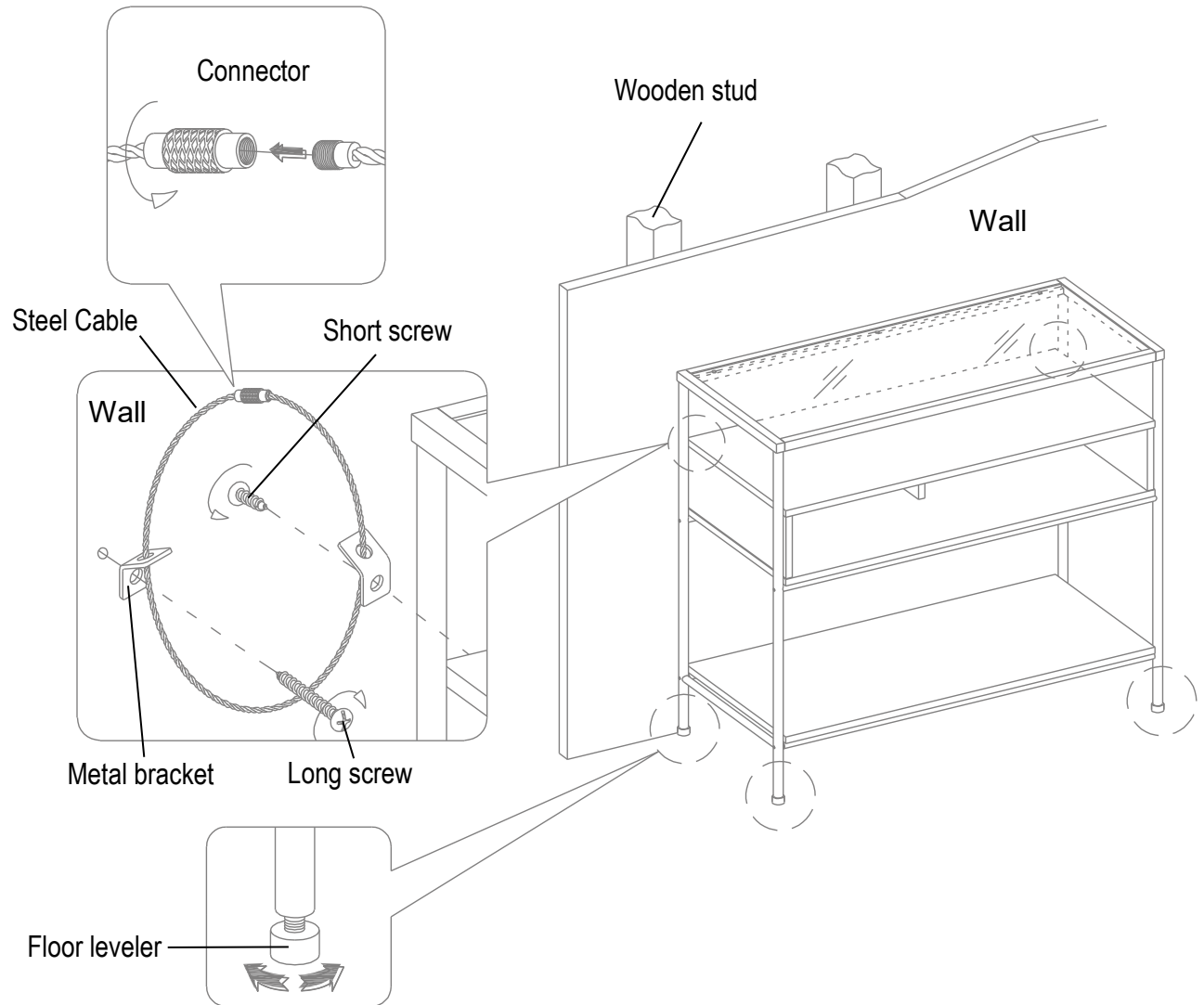
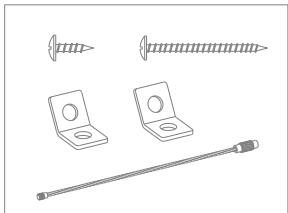


## step 11: level the unit and attach tip-over restraint

---



**(H11) x 2**  
tipping restraint hardware kit  
(inside plastic bag)



Tools required: Phillips screwdriver, stud finder, tape measure, pencil, power drill and 1/8" drill bit.

11.1. Adjust the pre-attached floor levelers to level the unit against a wall.

11.2. Follow the instructions printed on plastic bag containing tipping restraint hardware to attach tip-over restraint between the unit and wall.

**NOTE:** You must use this tipping restraint to attach this unit to the wall, to prevent accidents and/or injuries.

## Care and Maintenance

- Use a soft, clean cloth that will not scratch the surface when dusting.
- Use of furniture polish is not necessary. Should you choose to use polish, test first in an inconspicuous area.
- Using solvents of any kind on your furniture may damage the finish.
- Never use water to clean your furniture as it may cause damage to the finish.
- Always use coasters under beverage glasses and flowerpots.
- Liquid spills should be removed immediately. Using a soft, clean cloth, blot the spill gently. Avoid rubbing.
- Always use protective pads under hot dishes and plates. Heat can cause chemical changes that may create spotting within the furniture finish.
- Stains or marks from crayons or ink markers will be difficult to remove.
- In the event that your furniture is stained or otherwise damaged during use, we recommend that you call a professional to repair your furniture.
- Check bolts/screws and nuts periodically and tighten them if necessary.

## Further Advice about Wood Furniture Care

It is best to keep your furniture in a climate-controlled environment. Extreme temperature and humidity changes can cause fading, warping, shrinking and splitting of wood. It is advised to keep furniture away from direct sunlight as sun may damage the finish.

Proper care and cleaning at home will extend the life of your purchase. Following these important and helpful tips will enhance your furniture as it ages.

We hope you enjoy your purchase for many years.  
Thank you for your purchase!

## QUALITY GUARANTEE

We are confident that you will be delighted with your Whalen Furniture purchase.

Should this product be defective in workmanship or materials or fail under normal use, we will repair or replace it for up to one (1) year from date of purchase. Every Whalen Furniture product is designed to meet your highest expectations. We guarantee that you will immediately see the value of our fine furniture.

This warranty gives you specific al rights and you may also have other rights which vary from state to state or province to province.

Customer Service: 1-855-MYTGTHOME (855-698-4846)  
8:30 a.m. - 4:30 p.m., PST, Monday to Friday  
[www.whalenfurniture.com](http://www.whalenfurniture.com)

The maximum recommended weight allowance is 22.7 kg / 50 lb for shelf and open storage, 45.4 kg / 100 lb for glass top.

 **WARNING**

Please use your furniture correctly and safely. Improper use can cause safety hazards, or damage to your furniture or household items. Carefully read the following safety information.

Death or serious injury may occur when children climb on audio and/or video equipment furniture. A remote control or toys placed on the furnishing may encourage a child to climb on the furnishing and as a result may tip over onto the child.

**NEVER** allow children to climb or play with the TV or furnishing supporting the TV.

**NEVER** place toys, food, remote, etc. on top of the TV or TV furnishing.

**ALWAYS** use either the safety hardware as instructed or other wall anchoring device.

Relocating audio and/or video equipment to furniture not specifically designed to support audio and/or video equipment may result in death or serious injury due to furniture collapse or over turning onto a child.

**NEVER** place a TV on furniture that is not intended to support a TV.

**NEVER** exceed the maximum size and weight of the TV shown in the instructions.

Be sure to refer to the TV warning label as shown in the instructions.

Overloading drawers and shelves may result in furniture that can break or sag, or tip-over which may result in injury.

**NEVER** exceed the weight limits shown in the instructions.

Place the heavier items on lower shelves as far back from the front as possible.

Load the bottom surfaces first to avoid top-heavy furniture.

Moving furniture that is not designed to be moved or equipped with casters may result in injury or damage to furnishings or personal property.

**ALWAYS** unload shelves and drawers, starting with the top surfaces, before moving.

**NEVER** push or pull furniture on carpet. Have a friend help lift properly to move and/or reposition it.

The unit is not meant as a seat and no one should be sitting or standing on the top panel.

