



# Assembly Instructions & User's Manual

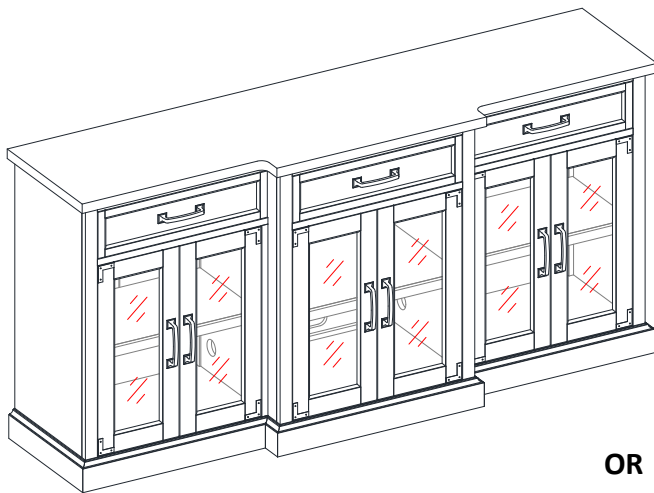
for

## Fenton TV Console

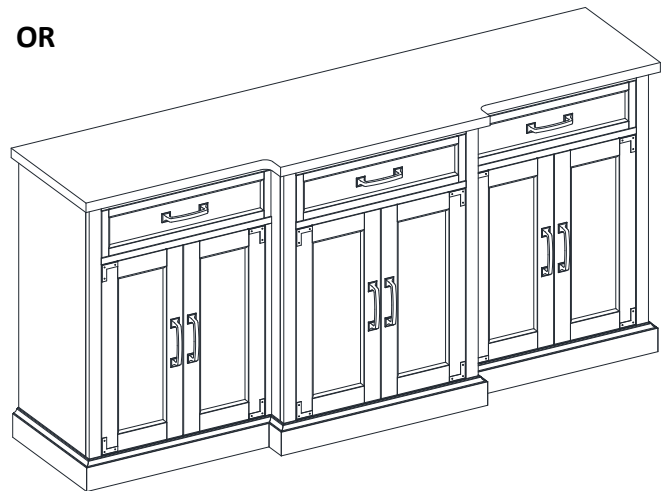
**Model Number: SMTVC-2-WH / SMTVC-2-WH-E / SMTVC-2-BR / SMTVC-2-BR-E**

**Customer Assistance (spare/replacement parts): 1-866-942-5362**

**or Email: [parts@whalenfurniture.com](mailto:parts@whalenfurniture.com)**




OR



THIS ASSEMBLY MANUAL CONTAINS **IMPORTANT** SAFETY INFORMATION.  
PLEASE READ AND KEEP FOR FUTURE REFERENCE.

# Table of Contents

Quality Statement.....	3
Important Safety Information .....	3
Before Assembly .....	3
Care & Use .....	3
Package Contents .....	4
Product Information .....	4
Components .....	5
Hardware .....	6
Tools (Not Included).....	6
Step 1 .....	7
Step 2 .....	8
Step 3 .....	9
Step 4 .....	10
Step 5-hinge adjustment .....	11
Step 6 .....	12
Step 7 .....	13
 Warning.....	14
Troubleshooting .....	15
Care & Use Instructions .....	15
Warranty Information .....	15

# Quality Statement

## Questions or Comments?

We would love to hear about your Member's Mark experience! Visit us at:  
**[samsclub.com/membersmarkhelp](https://samsclub.com/membersmarkhelp)**

## Important Safety Information

- *Please read all instructions carefully before assembling this product.*
- *Where applicable, and for your safety, assembly by an adult is strongly recommended.*
- *Use only vendor-supplied hardware to assemble this item. Using unauthorized hardware could jeopardize the structural integrity of the item.*
- *Hardware may loosen overtime. Periodically check that all connections are tight.*
- **NOTICE:** *To prevent injury and property damage from unexpected tipping of furniture, we highly recommend installation of the anti-tip kit included with this product.*

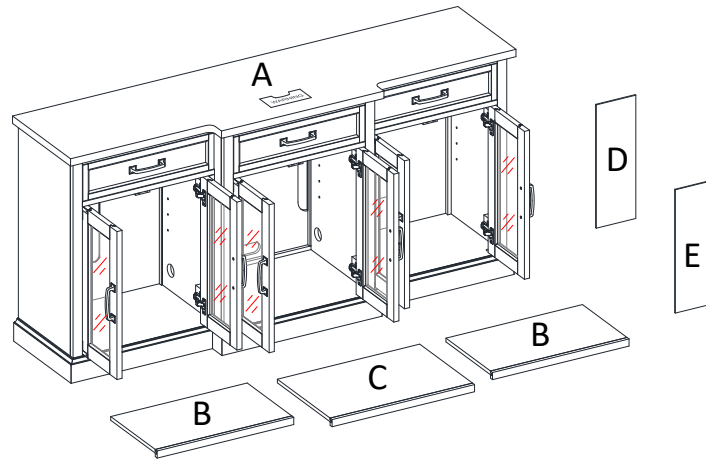
## Before Assembly

- *Remove all parts and hardware from the box. Place all items on a carpeted or scratch-free work surface, as this will avoid damaging parts during assembly.*
- *The shipping box can provide an ideal work surface if none is available.*
- *Use the components and hardware lists below to identify, inventory and separate each of the hardware and components included.*
- *To avoid accidentally discarding small components or hardware, do not dispose of any packaging or contents of the shipping carton until assembly is complete.*
- **DO NOT USE** *power tools unless it is explicitly identified in this manual as required for use during assembly. Power tools can damage the fasteners, hardware and/or components.*
- *Do not fully tighten all fasteners / screws until all parts are in place. Failure to follow these instructions may cause the fasteners / screws to misalign during assembly.*

## Care & Use

- *Use a soft, clean cloth that will not scratch the surface when dusting.*
- *Use of furniture polish is not necessary. Should you choose to use polish, test first in an inconspicuous area.*
- *Using solvents of any kind on your furniture may damage the finish.*
- *Never use water to clean your furniture as it may cause damage to the finish.*
- *Liquid spills should be removed immediately. Using a soft clean cloth, blot the spill gently. Avoid rubbing.*
- *Do not place furniture in direct sunlight.*

# Package Contents



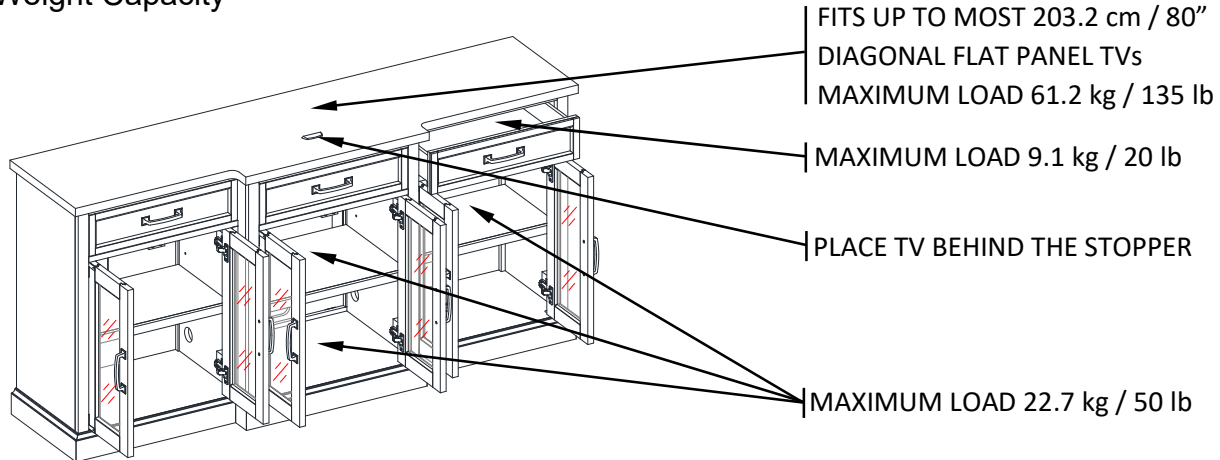
Component	Description	Quantity
A	TV Console	1
B	Small Adjustable shelf	2
C	Large Adjustable Shelf	1

Component	Description	Quantity
D	Side Wood Door Insert	4
E	Middle Wood Door Insert	2

## Product Information

Dimensions – 75" x 19.63" x 36.25" (190.5cm x 50cm x 92cm)

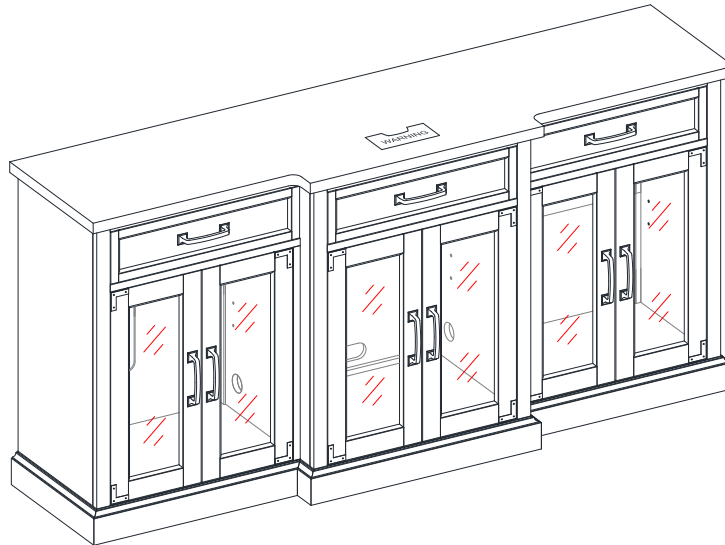
Weight Capacity



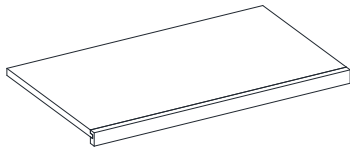
**⚠ WARNING** THIS UNIT IS NOT INTENDED FOR USE WITH CRT TVS. USE ONLY WITH FLAT PANEL TVS AND AUDIO/VIDEO EQUIPMENT MEETING RECOMMENDED SIZE AND WEIGHT LIMITS. NEVER USE WITH LARGER/HEAVIER THAN RECOMMENDED FLAT PANEL TVS OR EQUIPMENT. TO AVOID INSTABILITY, PLACE FLAT PANEL TV IN THE CENTER OF THE UNIT; THE BASE OF THE TELEVISION MUST BE ABLE TO REST ON THE SUPPORTING SURFACE OF THE UNIT WITHOUT OVER-HANGING THE EDGES. IMPROPERLY POSITIONED FLAT PANEL TVS, OR FLAT PANEL TVS INCLUDING OTHER EQUIPMENT THAT EXCEED RECOMMENDED SIZE AND WEIGHT LIMITS COULD FALL OFF OR BREAK THE UNIT, CAUSING POSSIBLE SERIOUS INJURY. FOR USE WITH TELEVISIONS WEIGHING 135 LBS (61.2 KG) OR LESS. USE WITH HEAVIER TELEVISIONS MAY RESULT IN INSTABILITY CAUSING TIP OVER RESULTING IN DEATH OR SERIOUS INJURY.

# Components

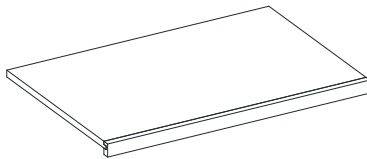
Component A  
 Part No. not available  
 Qty.: 1



Component B  
 Part No. 00SMTVC-2-WH/BR-E-B  
 Qty.: 2



Component C  
 Part No. 00SMTVC-2-WH/BR-E-C  
 Qty.: 1



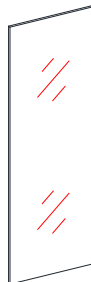
Component D  
 Part No. 00SMTVC-2-WH/BR-E-D  
 Qty.: 4



Component E  
 Part No. 00SMTVC-2-WH/BR-E-E  
 Qty.: 2



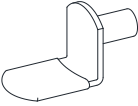

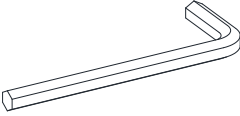
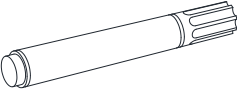

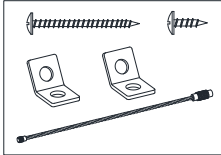
Component F (Pre-attached)  
 Part No. 00SMTVC-2-WH/BR-E-F  
 Qty.: 4



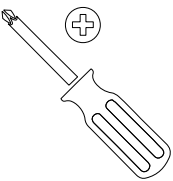

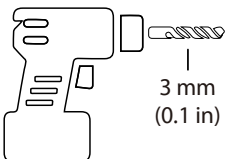
Component G (Pre-attached)  
 Part No. 00SMTVC-2-WH/BR-E-G  
 Qty.: 2



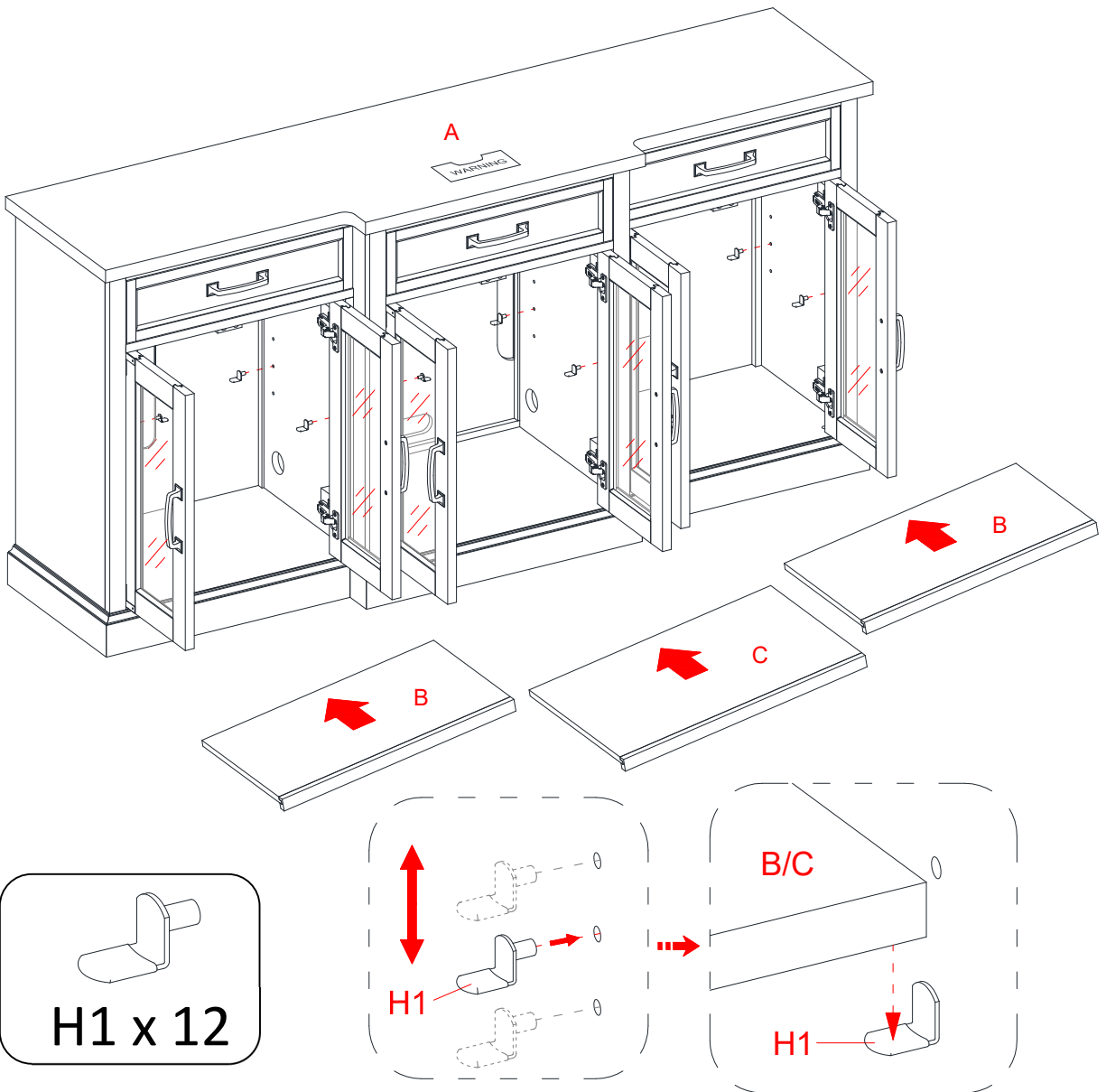
## Hardware

<p>Shelf Support (H1) Part No. 00SMTVC-2-WH/BR-E-P Qty.: 12+1 extra</p>	<p>Rubber Liner (H2) Part No. 00SMTVC-2-WH/BR-E-Q Qty.: 1.5m</p>	<p>Hex Wrench (H3) Part No. 00SMTVC-2-WH/BR-E-R Qty.: 1</p>
		
<p>Touch-up Pen (H4) Part No. 00SMTVC-2-WH/BR-E-S Qty.: 1</p>	<p>Acrylic Stopper (H5) Part No. 00SMTVC-2-WH/BR-E-T Qty.: 1</p>	<p>Tipping Restraint Hardware Kit (H6) Part No. 00SMTVC-2-WH/BR-E-U Qty.: 2</p>
		

## Tools (Not Included)

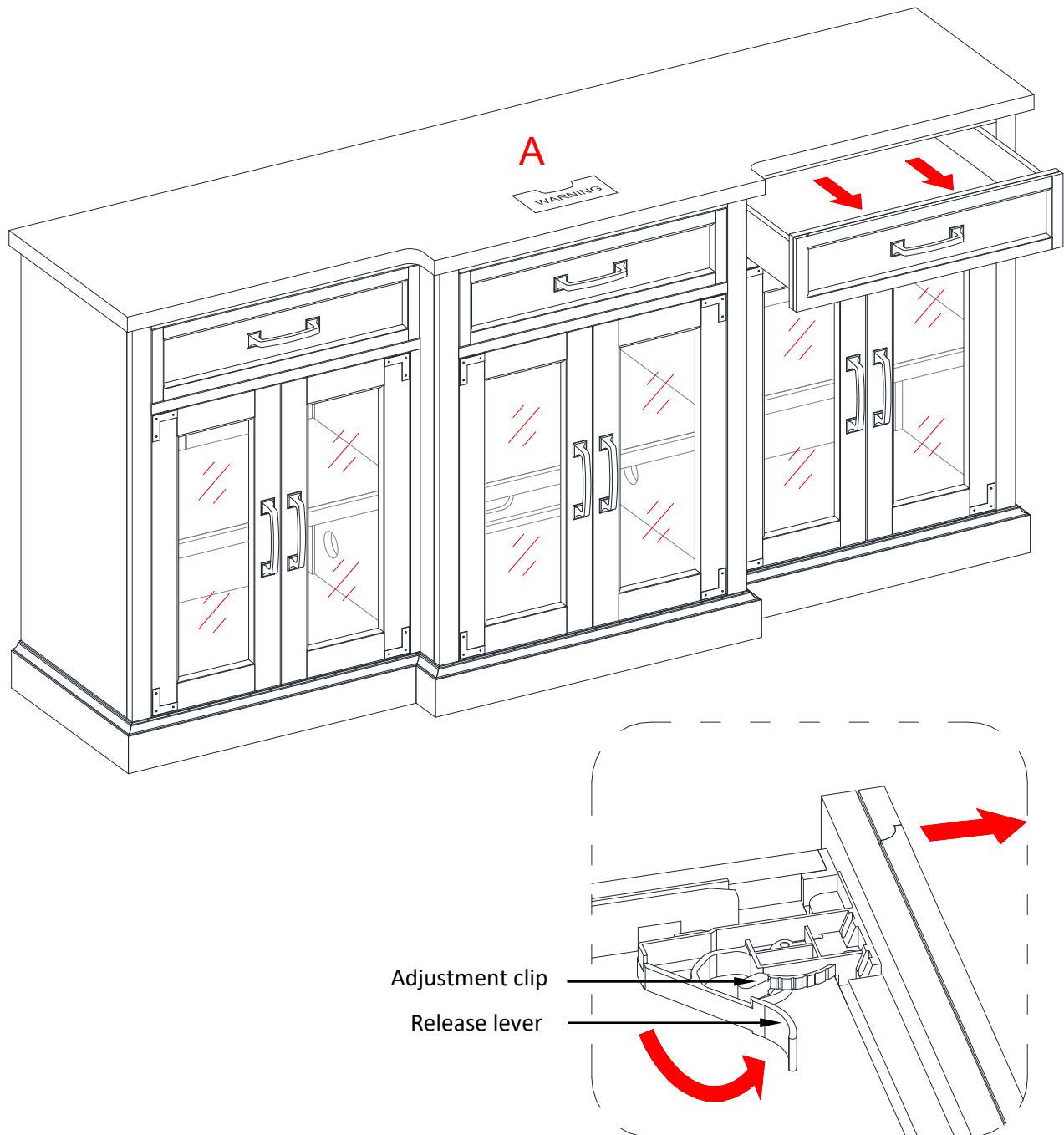
<p>Phillips Screwdriver</p>	<p>Stud Finder</p>	<p>Power Drill</p>
		 <p>3 mm (0.1 in)</p>

# Step 1



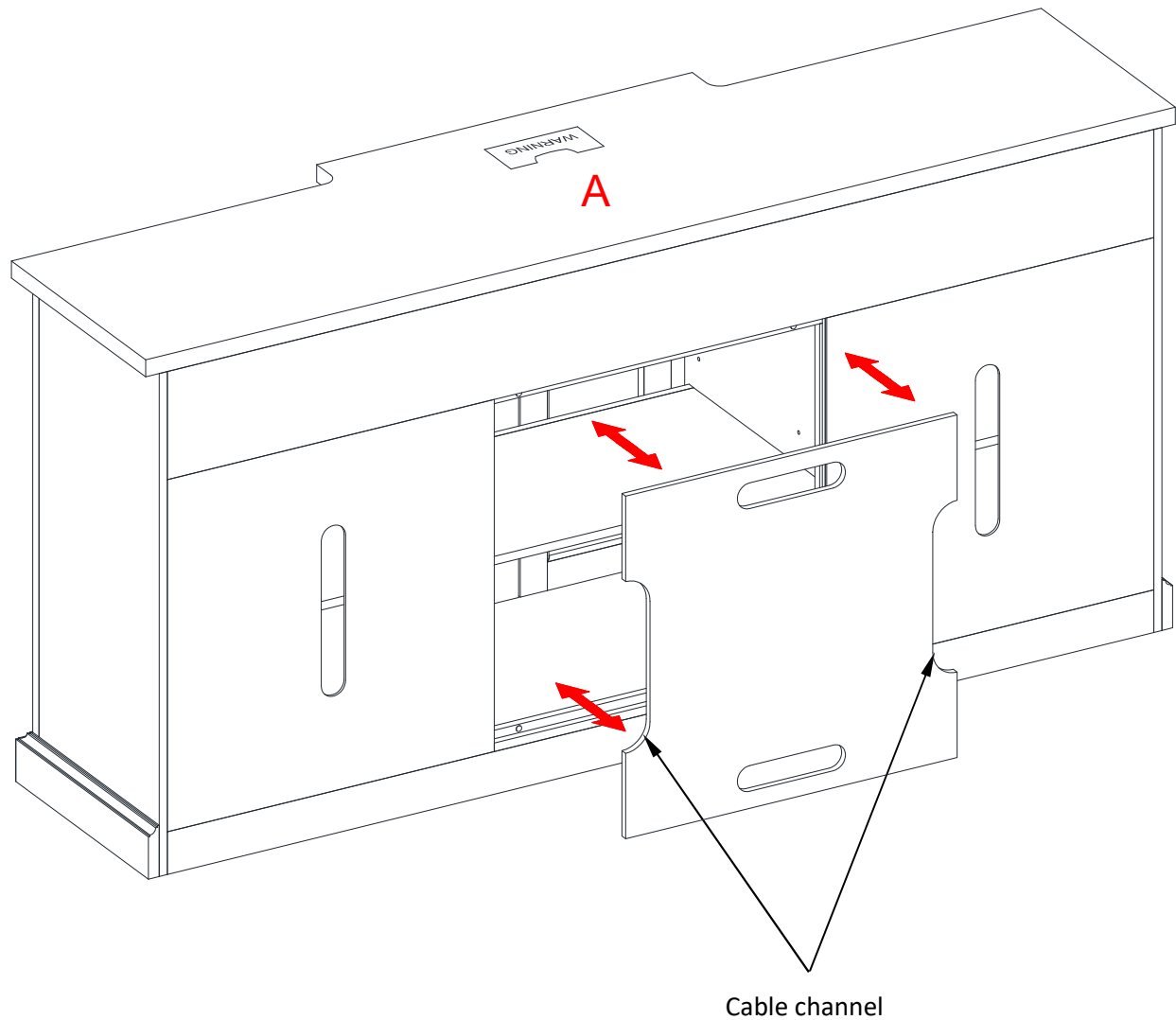
- Unpack the unit and confirm that you have all the hardware and required parts. Assemble the unit on a carpeted floor or the empty carton to avoid any scratch.
- Open the doors and insert four Shelf Supports (H1) in the holes at the desired height inside each compartment. Make sure you place the four Shelf Supports at the same level so the shelf is not tilted.
- Tilt and rest the Adjustable Shelves (B and C) onto the Shelf Supports (H1).

## Step 2



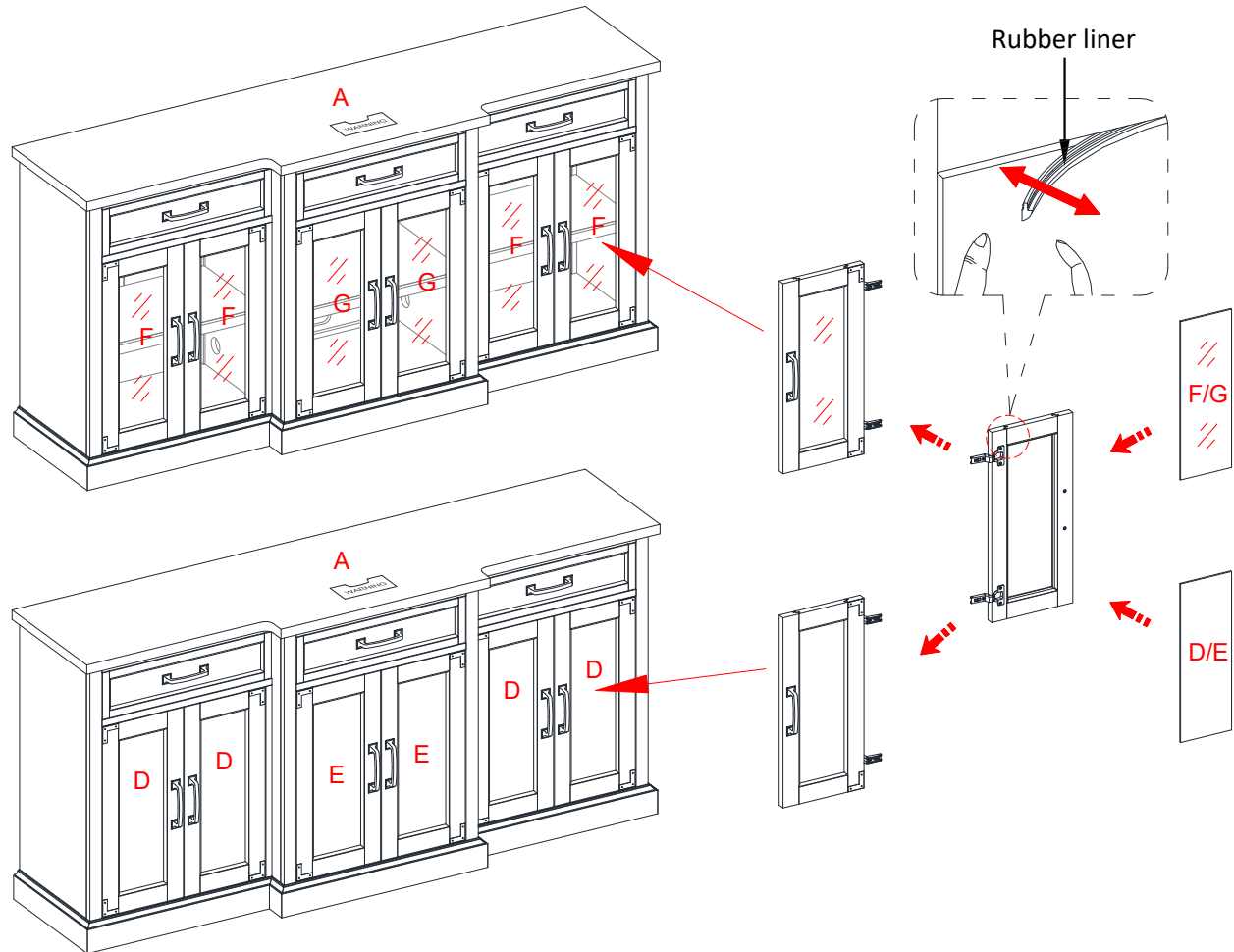
- If you need to remove the drawer, please press the Release Levers on the mechanisms pre-attached underneath the drawer kit at both ends.
- If necessary, you can push the Adjustment Clips on the bottom mechanisms to adjust the top and bottom gaps of the drawer.

## Step 3



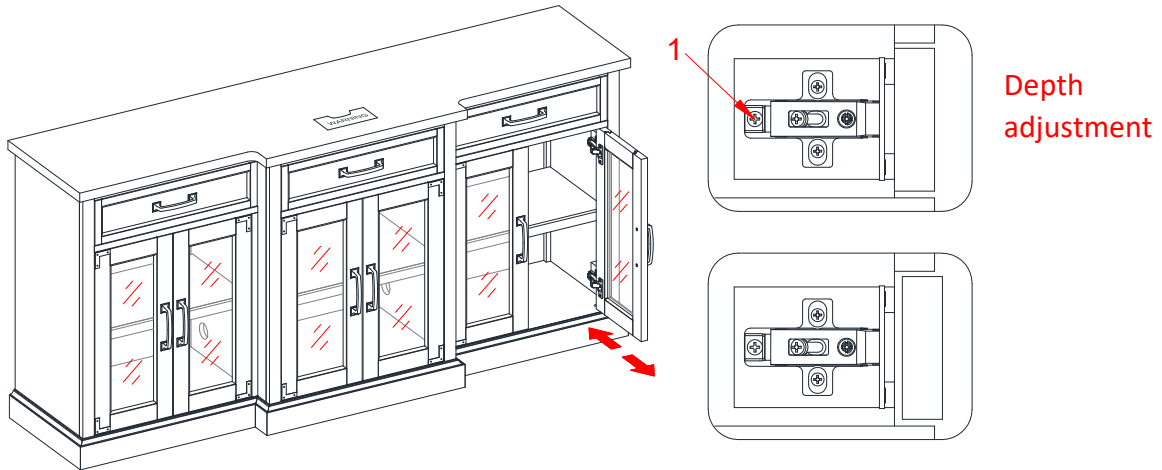
- a) The vented rear panel is removable for easy access to audio and video component hook-up. Be sure to route the cables through the side cutout instead of the ventilation holes.

## Step 4

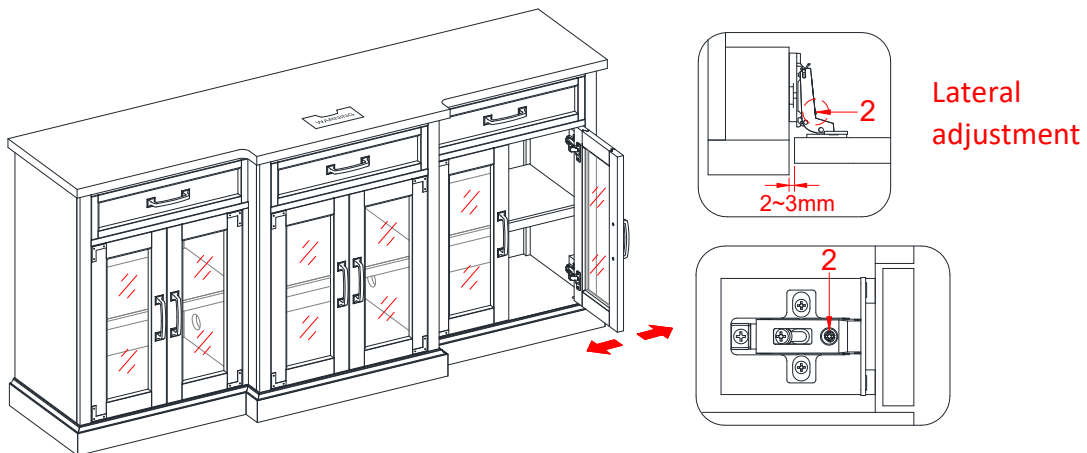


- a) The Glass Door Panels (F and G) are pre-attached when shipping. You can keep as they are or interchange with Wood Door Panels (D and E).

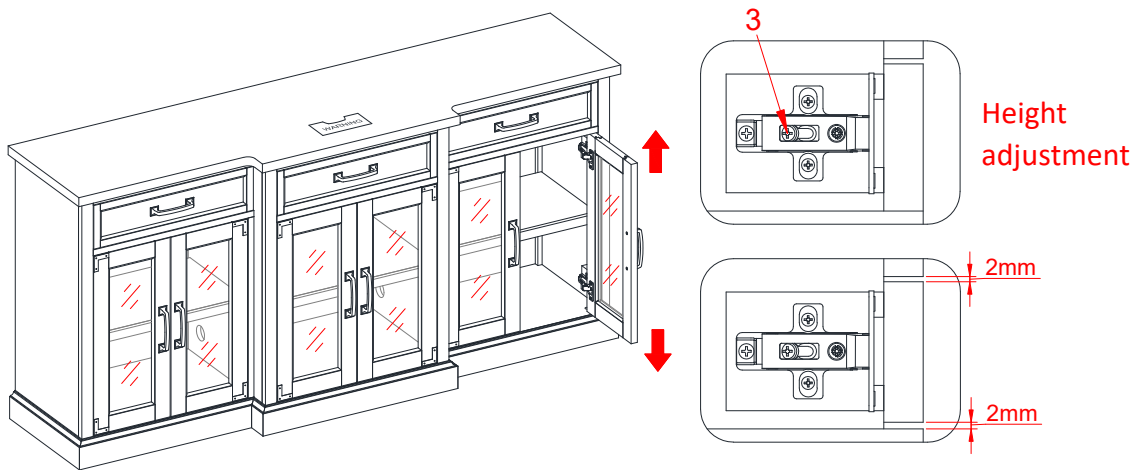
# Step 5-hinge adjustment



a) Loosen or tighten the indicated screw to adjust the gaps forward and backward between doors and console.

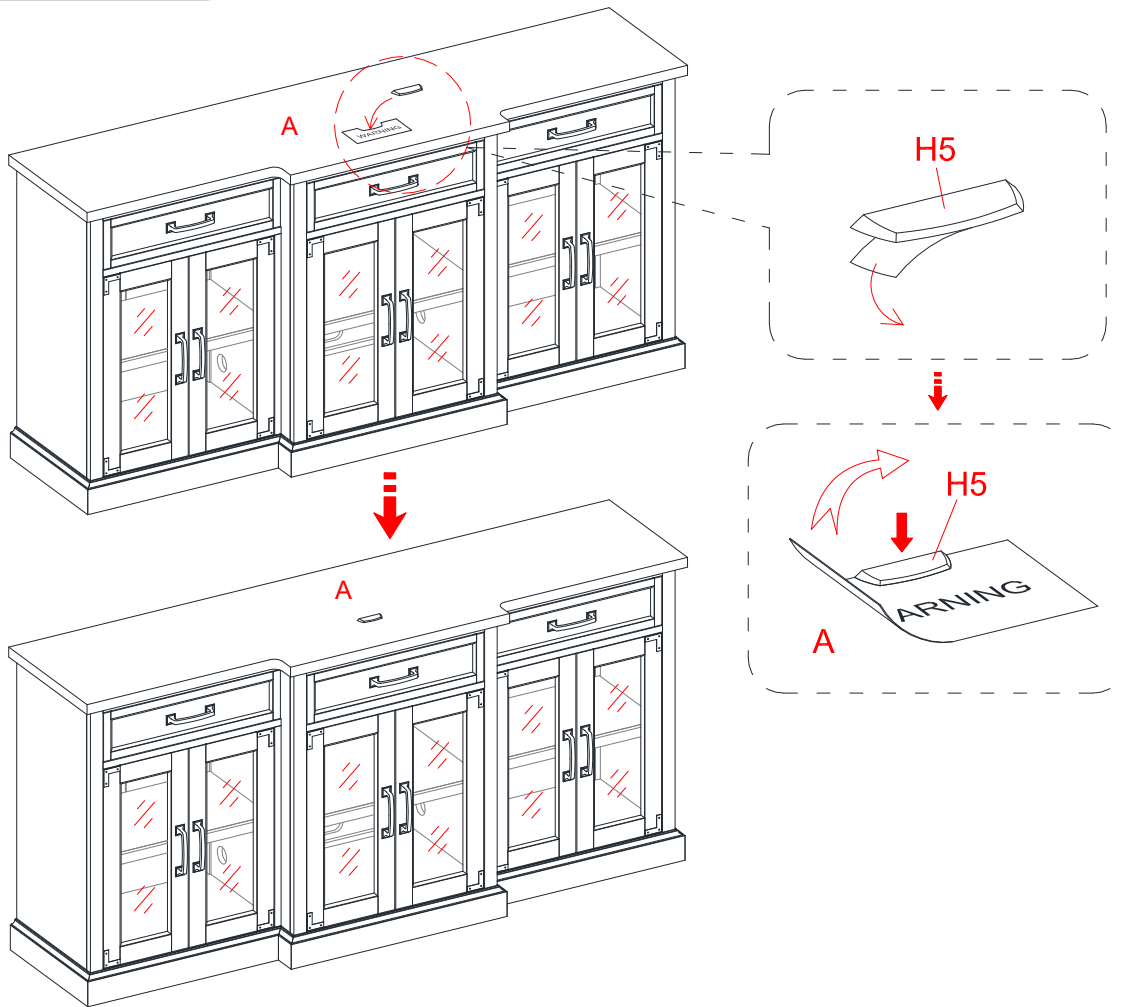
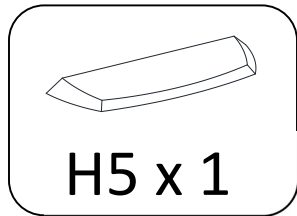


b) Rotate the screw clockwise or counterclockwise to adjust the door horizontally as shown.



c) Loosen or tighten the indicated screw to adjust the door vertically to the desired position.

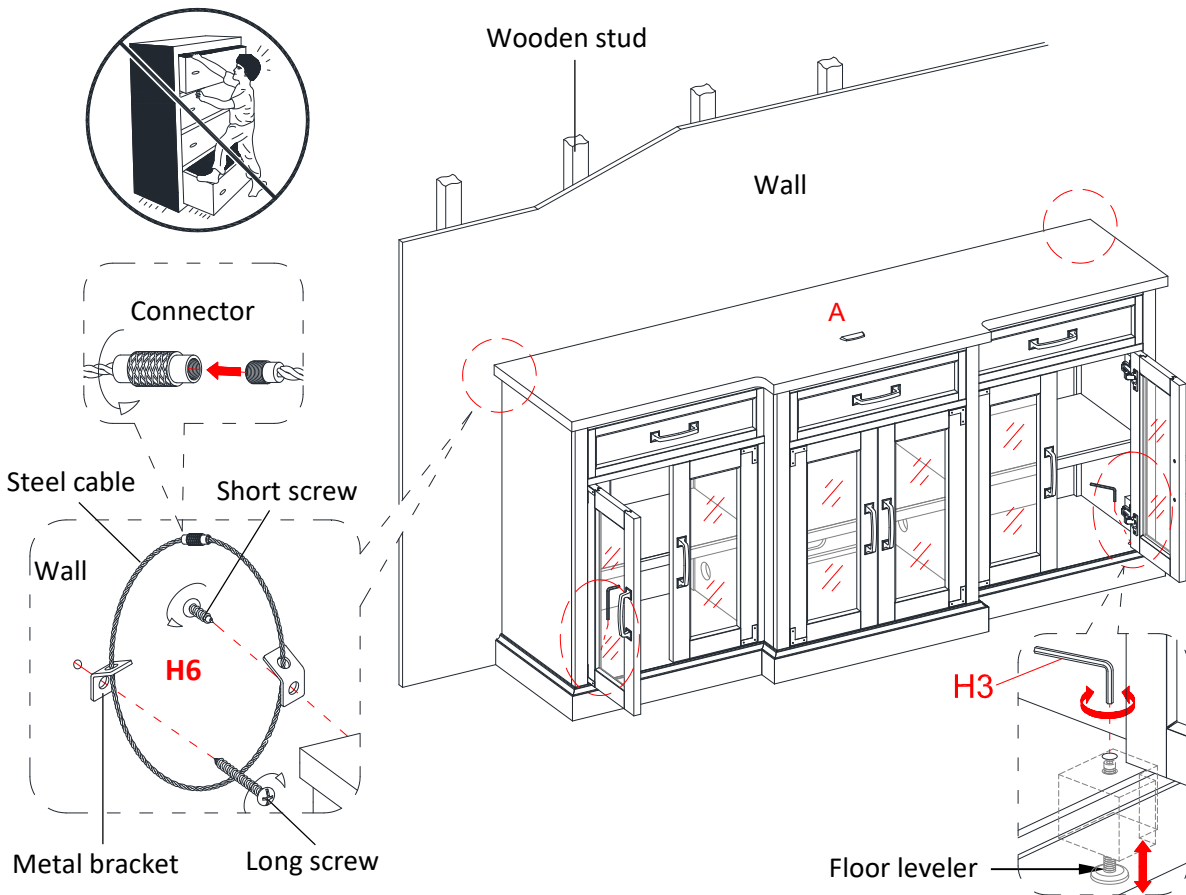
## Step 6



**NOTE:** To prevent your TV from tipping, you must follow these instructions if you place a flat panel television on top of your console. Otherwise, remove the acrylic stopper template directly.

- a) Remove the paper backing from the Acrylic Stopper (H5) and place it in the cut-out of the acrylic stopper template on the front of the top panel. Make sure it is properly aligned before applying pressure.
- b) Now, remove the acrylic stopper template carefully.

## Step 7



- Ask for assistance to position the assembled unit at the desired location against a wall. Open the door and you will see a hole at each front corner of the base, use the enclosed Hex Wrench (H3) to turn the leveler and adjust the height of the unit, until the unit is level.
- Now, follow the instructions printed on the plastic bag containing the Tipping Restraint Hardware (H6) to attach the tip-over restraints to the unit and the wall.
- The console is now ready for use.

### **WARNING**

- Unit must be placed on a level surface or leveled with included hardware (when applicable).
- Do not sit or stand on or allow children to climb, sit or stand on the assembled product.
- For safety reasons, it is imperative that this unit be mounted to the wall.
- Do not use without installing the tip restraint.
- Unit can tip over causing severe injury or death.
- Never open more than one drawer at a time.
- Do not exceed the recommended weight limits.
- Evenly distribute the weight on each level and always keep the heavier loads on the bottom.
- Before cutting, drilling or hammering into any wall or floor surface, verify the location of electrical, plumbing and gas lines. Cutting may cause serious injury.



## Warning

Please use your furniture correctly and safely. Improper use can cause safety hazards, or damage to your furniture or household items. Carefully read the following safety information.

This unit is not intended for use with CRT TVs. The top surface maximum weight capacity is 135 lbs. (61.2 kg) and maximum load 80 in. (203.2cm) diagonal flat-panel TV. The shelf maximum recommended weight allowance is 50 lbs. (22.7 kg). Use with heavier televisions may result in instability causing tip over resulting in death or serious injury.

Death or serious injury may occur when children climb on audio and/or video equipment furniture. A remote control or toys placed on the furnishing may encourage a child to climb on the furnishing and as a result may tip over onto the child.

- NEVER** allow children to climb or play with the TV or furnishing supporting the TV.
- NEVER** place toys, food, remote, etc. on top of the TV or TV furnishing.
- ALWAYS** use either the safety hardware as instructed or other wall anchoring device.

Relocating audio and/or video equipment to furniture not specifically designed to support audio and/or video equipment may result in death or serious injury due to furniture collapse or over turning onto a child.

- NEVER** place a TV on furniture that is not intended to support a TV.
- NEVER** exceed the maximum size and weight of the TV shown in the instructions.
- Be sure to refer to the TV warning label as shown in the instructions.

Overloading drawers and shelves may result in furniture that can break or sag, or tip-over which may result in injury.

- NEVER** exceed the weight limits shown in the instructions.
- Place the heavier items on lower shelves as far back from the front as possible.
- Load the bottom surfaces first to avoid top-heavy furniture.

Moving furniture that is not designed to be moved or equipped with casters may result in injury or damage to furnishings or personal property.

- ALWAYS** unload shelves and drawers, starting with the top surfaces, before moving.
- NEVER** push or pull furniture on carpet. Have a friend help lift properly to move and/or reposition it.

The console is not meant as a seat and no one should be sitting or standing on the console.

## Troubleshooting

Problem	Possible Cause	Prevention / Solution
Tilting / wobbling	Surface not level	Adjust the floor levelers
Scratches / Nicks	Assembly or shipping damage	Use touch-up pen to cover
Doors are not level	Hinges are not engaged properly	Refer to the hinge sticker for adjustment

## Care & Use Instructions

Care	Use a soft, clean cloth that will not scratch the surface when cleaning.
	Use of furniture polish is not necessary. Should you choose to use polish, test first in an inconspicuous area.
Use	Using solvents of any kind on your furniture may damage the finish.
	Never use water to clean your furniture as it may cause damage to the finish.
	Liquid spills should be removed immediately. Using a soft clean cloth, blot the spill gently. Avoid rubbing.
	Do not place furniture in direct sunlight.

## Warranty Information

This product component has a (1) year guarantee against defects in material and/or workmanship. If you have any questions regarding the warranty or spare / replacement parts, please call our toll-free number **1-866-942-5362** or email us at [parts@whalenfurniture.com](mailto:parts@whalenfurniture.com)

**NOTE:** Please consider recycling all applicable packaging material.

**Distributed by Sam's West Inc.**  
2101 SE Simple Savings Dr.  
Bentonville, Arkansas 72716-0745

Made in Vietnam





# Instrucciones de ensamble & manual del usuario

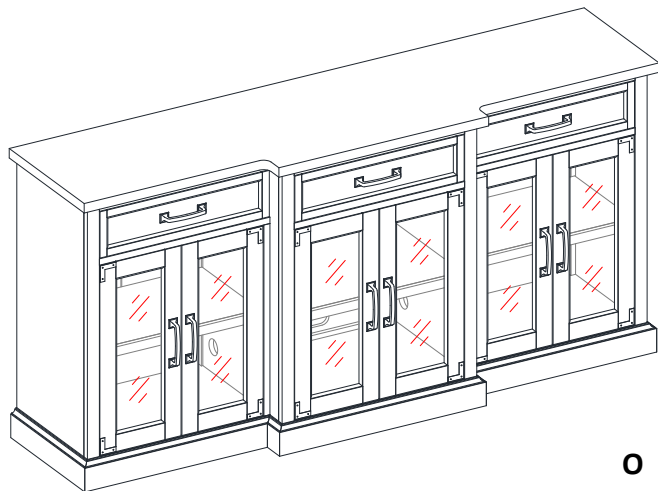
para

## Consola para TV Fenton

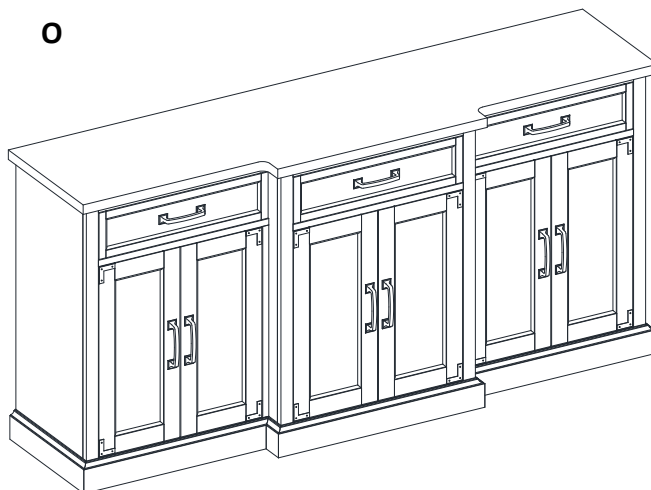
**Número de modelo:** SMTVC-2-WH / SMTVC-2-WH-E / SMTVC-2-BR / SMTVC-2-BR-E

**Asistencia al cliente** (partes de repuesto/reemplazos): 1-866-942-5362

o mande un correo electrónico a [parts@whalenfurniture.com](mailto:parts@whalenfurniture.com)




0



ESTÉ INSTRUCTIVO CONTIENE INFORMACIÓN DE SEGURIDAD **IMPORTANTE**.  
POR FAVOR LEA Y MANTENGA PARA USO FUTURO.

# Tabla de contenido

Declaración de calidad .....	3
Información de seguridad importante .....	3
Antes del ensamble .....	3
Cuidado y uso .....	3
Contenidos del paquete .....	4
Información del producto .....	4
Componentes .....	5
Material de ferretería .....	6
Herramientas (no incluidas) .....	6
Paso 1 .....	7
Paso 2 .....	8
Paso 3 .....	9
Paso 4 .....	10
Paso 5- ajuste de bisagras .....	11
Paso 6 .....	12
Paso 7 .....	13
 ADVERTENCIA .....	14
Solución de problemas .....	15
Instrucciones de cuidado y uso .....	15
Información de garantía .....	15

## Declaración de calidad

### Preguntas o Comentarios?

Nos gustaría escuchar sobre su experiencia Member's Mark! Visítenos en:  
**[samsclub.com/membersmarkhelp](https://samsclub.com/membersmarkhelp)**

## Información de seguridad importante

- *Por favor lea todas las instrucciones antes de ensamblar el mueble.*
- *Donde se pueda, y por su seguridad, se recomienda el ensamble por un adulto.*
- *Use solo ferretería suplida por el vendedor para ensamblar la unidad. El uso de ferretería no autorizada podría poner en riesgo la integridad estructural de la unidad.*
- *La ferretería se podría aflojar con el tiempo. Revisar periódicamente que las conexiones estén apretadas*
- **NOTA:** *Para prevenir lesiones o daños de inclinación inesperada del mueble, nosotros recomendamos instalar el juego contra inclinación incluido en este producto.*

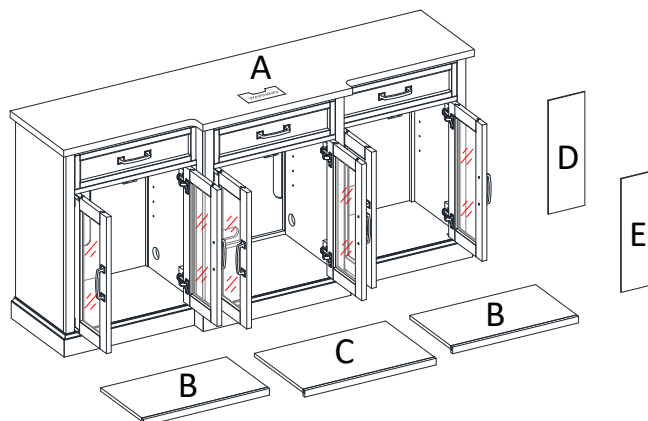
## Antes del ensamble

- *Retirar todas las partes y ferretería de la caja. Poner todo sobre una alfombra o en un are libre de rasguños, para evitar danos a las partes durante el ensamble.*
- *La caja de envío provee una superficie ideal de trabajo.*
- *Para evitar el desecho accidental de partes o ferretería pequeñas, no tire ningún paquete o contenidos del paquete hasta terminar el ensamble.*
- *Usar las listas de partes y ferretería para identificar y separar cada una de las piezas incluidas.*
- *El uso de herramientas eléctricas no está recomendad, a menos que se especifique. Estas herramientas pueden dañar la ferretería o la madera.*
- *No apretar completamente los pernos/sujetadores hasta que las partes estén en su lugar. La falla de seguir estas instrucciones puede causar que los pernos/sujetadores se desalineen durante el ensamble.*

## Cuidado y uso

- *Use una toalla suave y limpia para evitar daños y rayaduras.*
- *Uso de cera para pulir muebles no es necesario. Si desea usar cera cheque en un área que no sea visible para verificar su funcionamiento.*
- *Usar solventes de cualquier tipo puede dañar el terminado del mueble.*
- *Nunca use agua para limpiar la unidad, ya que le puede dañar el acabado.*
- *Líquidos derramados deben limpiarse inmediatamente, con una toalla suave evitando tallar.*
- *No poner el mueble en luz solar directa.*

## Contenidos del paquete



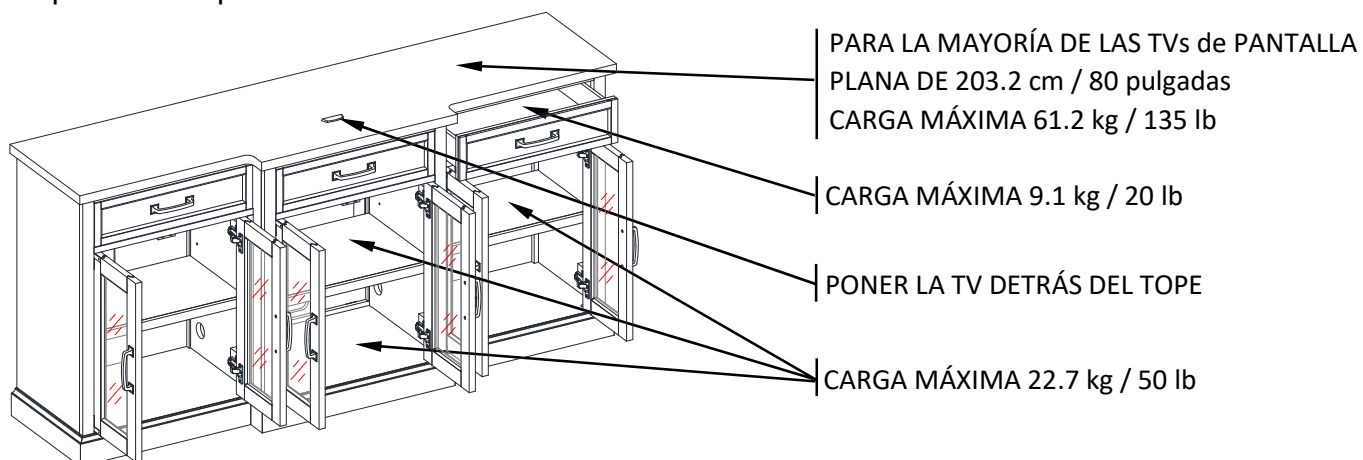
Componente	Descripción	Cantidad
A	Consola de TV	1
B	Repisa ajustable pequeña	2
C	Repisa ajustable grande	1

Componente	Descripción	Cantidad
D	Inserto para puerta de madera lateral	4
E	Inserto para puerta de madera central	2

## Información del producto

Dimensiones – 75" x 19.63" x 36.25" (190.5cm x 50cm x 92cm)

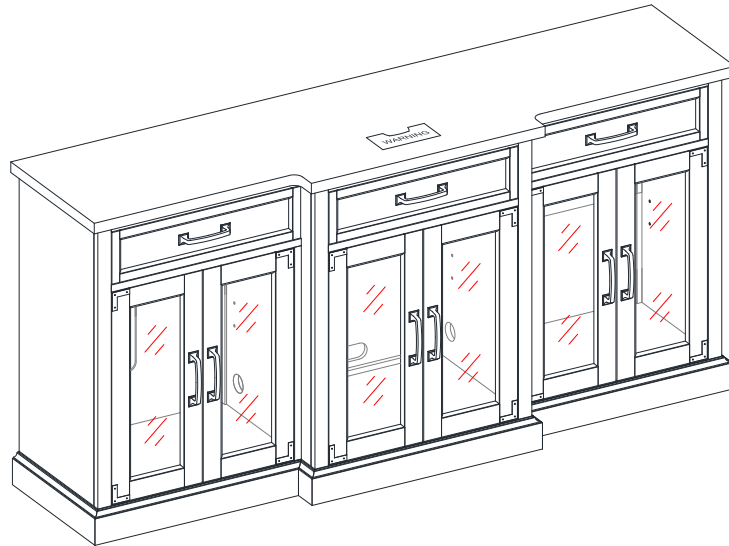
Capacidad de peso



**⚠ ADVERTENCIA** ESTA UNIDAD NO DEBE UTILIZARSE CON TELEVISIONES CRT O DE TUBO. UTILIZARSE ÚNICAMENTE CON TELEVISIONES DE PANTALLA PLANA Y EQUIPO DE AUDIO/VIDEO QUE TENGA LA MEDIDA/PESO RECOMENDADO. NUNCA UTILIZAR CON TELEVISIONES MÁS GRANDES/PESADAS DE LAS RECOMENDADAS. PARA EVITAR INESTABILIDAD COLÓQUELA EN EL CENTRO DE LA UNIDAD; LA BASE DE LA TELEVISIÓN DEBE DE REPOSAR SOBRE LA SUPERFICIE DE SOPORTE DE LA UNIDAD SIN REBASAR LAS ORILLAS. LAS TELEVISIONES DE PANTALLA PLANA COLOCADAS INAPROPIADAMENTE, O LAS TELEVISIONES DE PANTALLA PLANA INCLUYENDO EQUIPO QUE SOBREPASA LAS MEDIDAS Y PESOS RECOMENDADOS PUEDEN CAERSE Y/O ROMPER LA UNIDAD, CAUSANDO POSIBLES DAÑOS O LESIONES. PARA USO DE TELEVISIONES DE HASTA 135 LBS (61.2 KG) O MENOS. USO CON TELEVISIONES DE MAYOR PESO PUEDE RESULTAR EN INESTABILIDAD CAUSANDO QUE LA UNIDAD CAIGA, PROVOCANDO EN ALGUNOS CASOS DAÑOS O MUERTE.

# Componentes

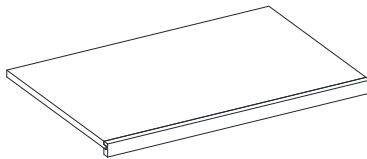
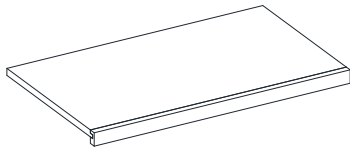
Componente A  
# de parte. no disponible  
Cantidad: 1



Componente B  
# de parte. 00SMTVC-2-WH/BR-E-B  
Cantidad: 2

Componente C  
# de parte. 00SMTVC-2-WH/BR-E-C  
Cantidad: 1

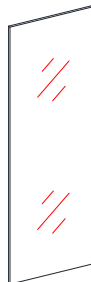
Componente D  
# de parte. 00SMTVC-2-WH/BR-E-D  
Cantidad: 4



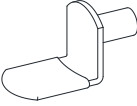

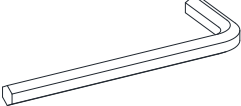


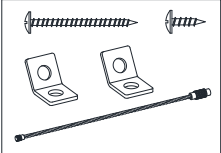
Componente E  
# de parte. 00SMTVC-2-WH/BR-E-E  
Cantidad: 2

Componente F (Pre-adjuntado)  
# de parte. 00SMTVC-2-WH/BR-E-F  
Cantidad: 4

Componente G (Pre-adjuntado)  
# de parte. 00SMTVC-2-WH/BR-E-G  
Cantidad: 2



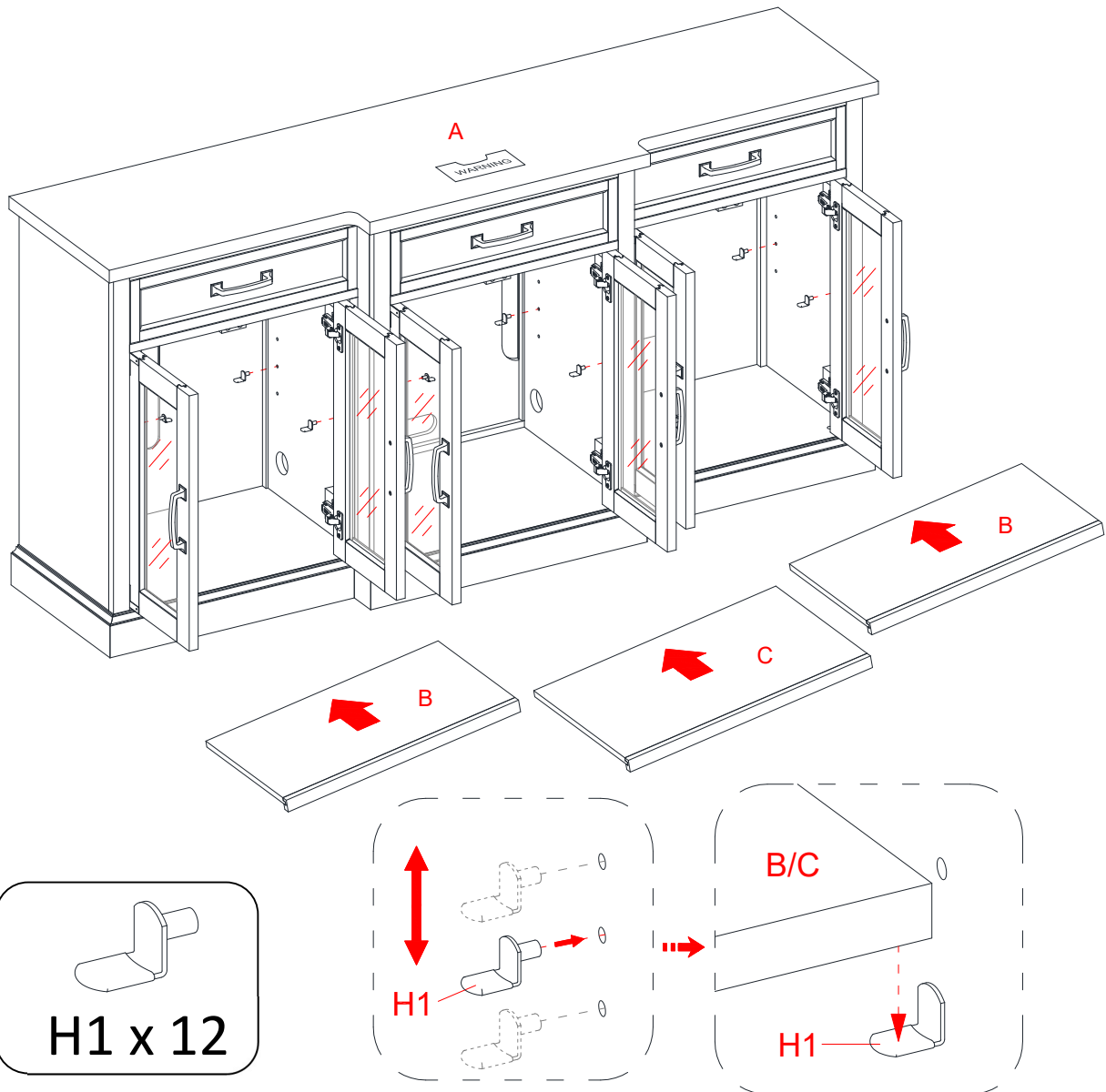
## Material de ferretería

<p>Soporte de repisa (H1) # de parte: 00SMTVC-2-WH/BR-E-P Cantidad: 12+1 extra</p>	<p>Revestimiento de goma (H2) # de parte: 00SMTVC-2-WH/BR-E-Q Cantidad: 1.5m</p>	<p>Llave hexagonal (H3) # de parte: 00SMTVC-2-WH/BR-E-R Cantidad: 1</p>
		
<p>Bolígrafo de retoque (H4) # de parte: 00SMTVC-2-WH/BR-E-S Cantidad: 1</p>	<p>Tope de acrílico (H5) # de parte: 00SMTVC-2-WH/BR-E-T Cantidad: 1</p>	<p>Juego de restricción de movimiento (H6) # de parte: 00SMTVC-2-WH/BR-E-U Cantidad: 2</p>
		

## Herramientas (no incluidas)

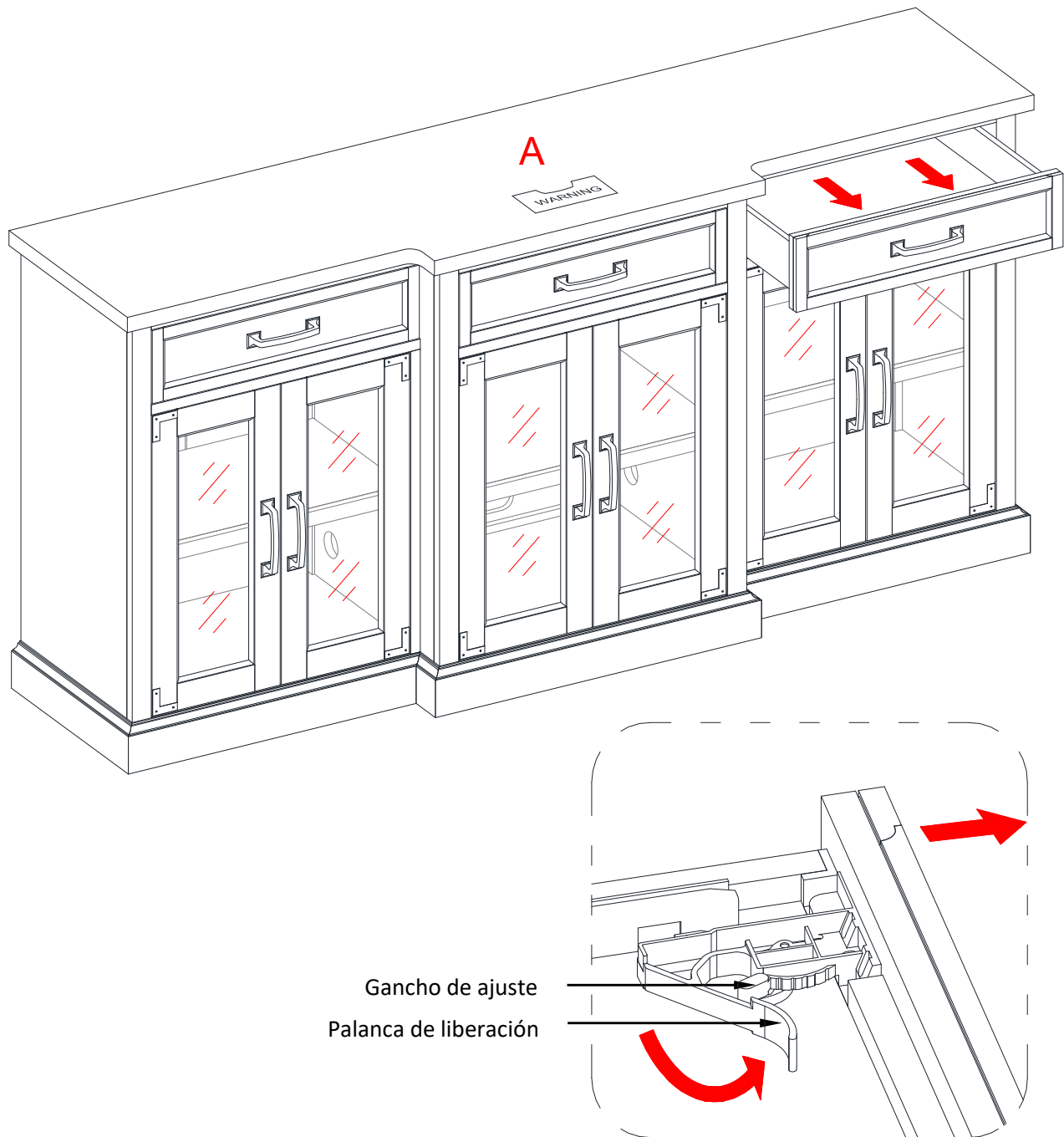
<p>Desarmador estrella</p>	<p>Buscador de vigas</p>	<p>Taladro</p>
		 <p>3 mm (0.1 in)</p>

# Paso 1



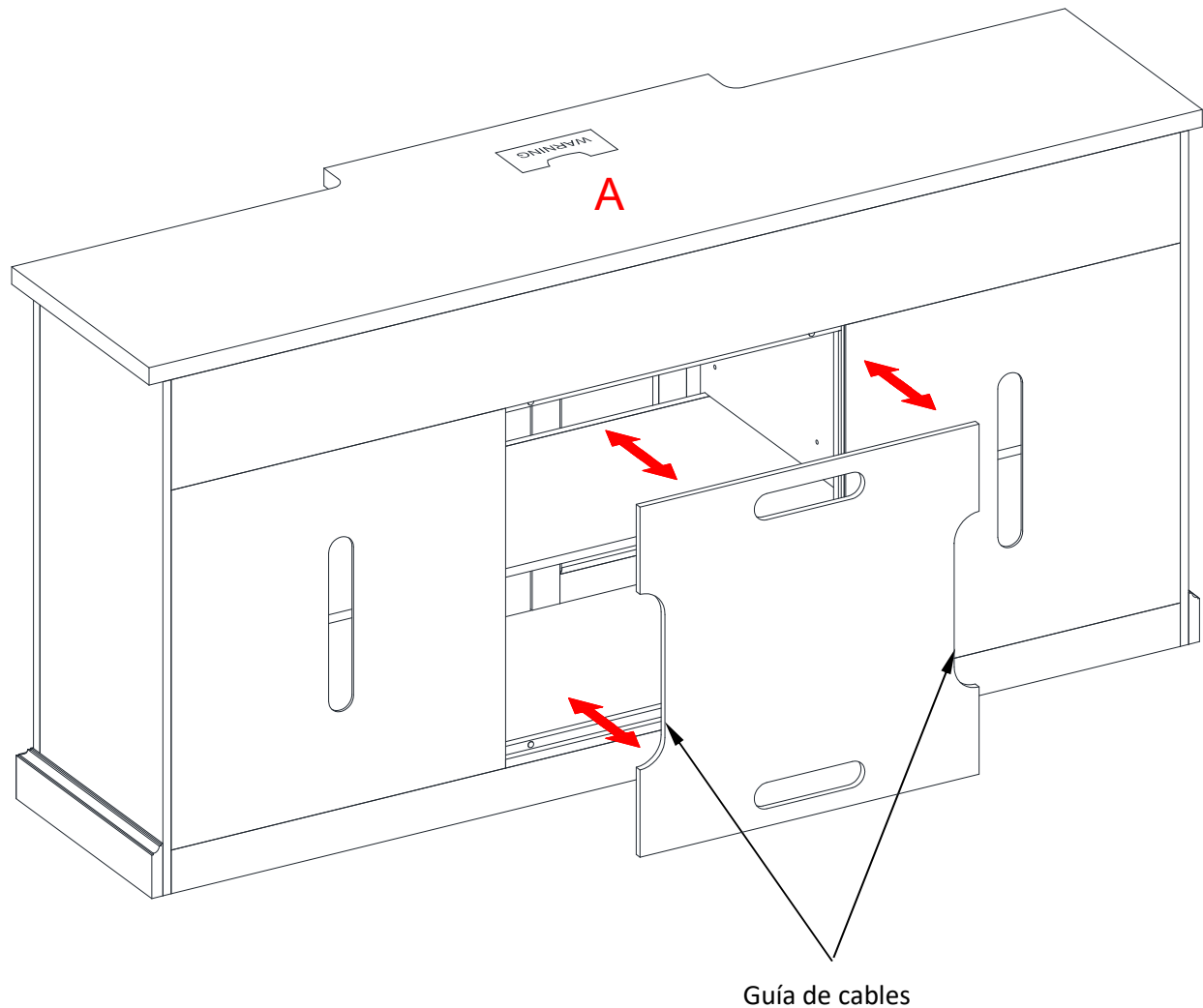
- Desempacar la unidad y confirmar que se tiene todo el material de ferretería y partes requeridas. Ensamblar la unidad en un piso alfombrado o en el cartón vacío para evitar rasguños.
- Abrir las puertas e insertar 4 soportes de repisa (H1) en los agujeros en las alturas deseadas adentro de cada compartimiento. Asegurar de poner los cuatro soportes de repisa en el mismo nivel para que la repisa no esté inclinada.
- Voltear y descansar las repisas ajustables (B y C) sobre los soportes de repisa (H1).

## Paso 2



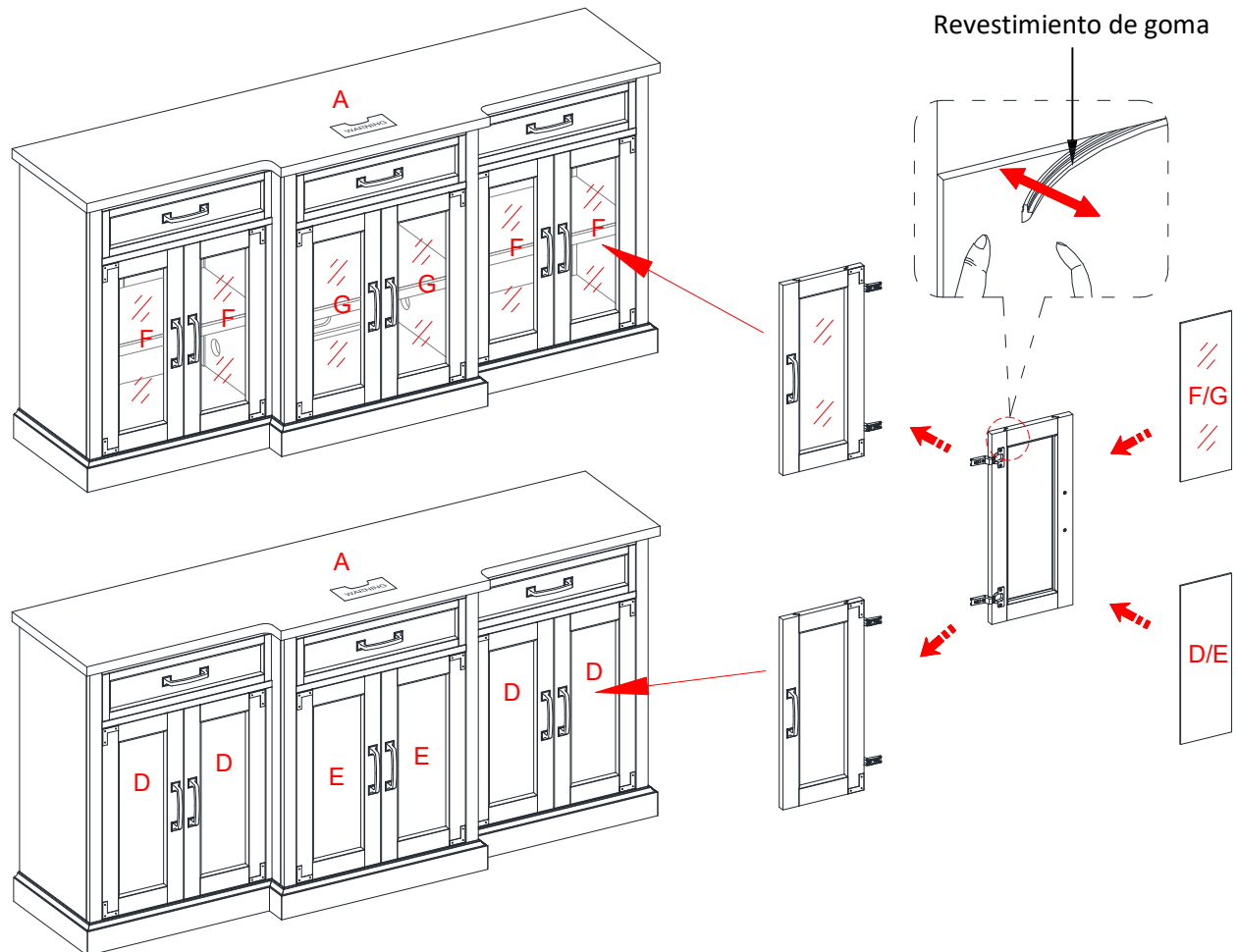
- Si necesita retirar el cajón, por favor presione las palancas de liberación en los mecanismos pre-adjuntados abajo del juego de cajones en ambos lados.
- Si fuera necesario, usted puede empujar el gancho de ajuste en los mecanismos inferiores para ajustar los espacios superiores e inferiores del cajón.

## Paso 3



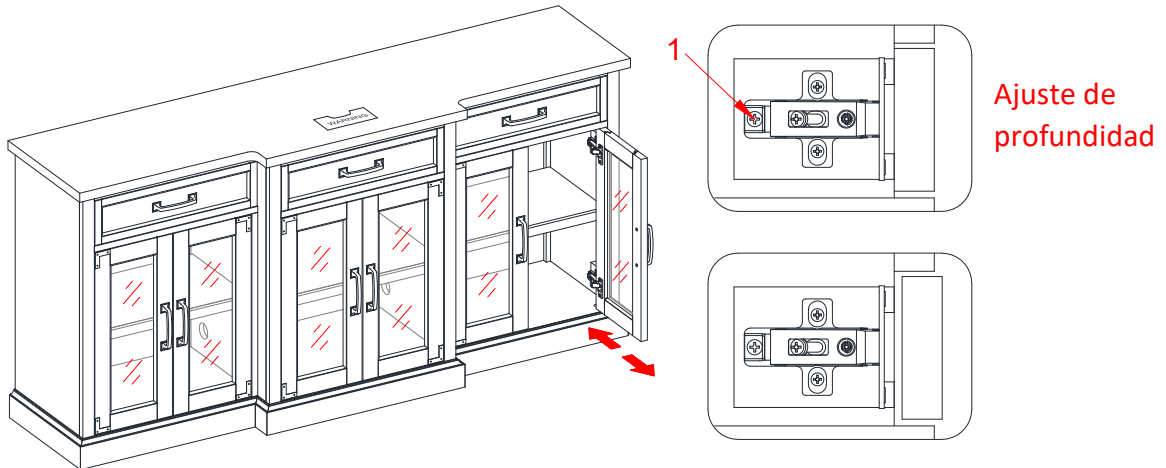
- a) El panel posterior ventilado es retirable para acceso fácil al enchufe del componente de audio y video. Asegúrese de encaminar los cables a través del recorte lateral en vez de los agujeros de ventilación.

## Paso 4

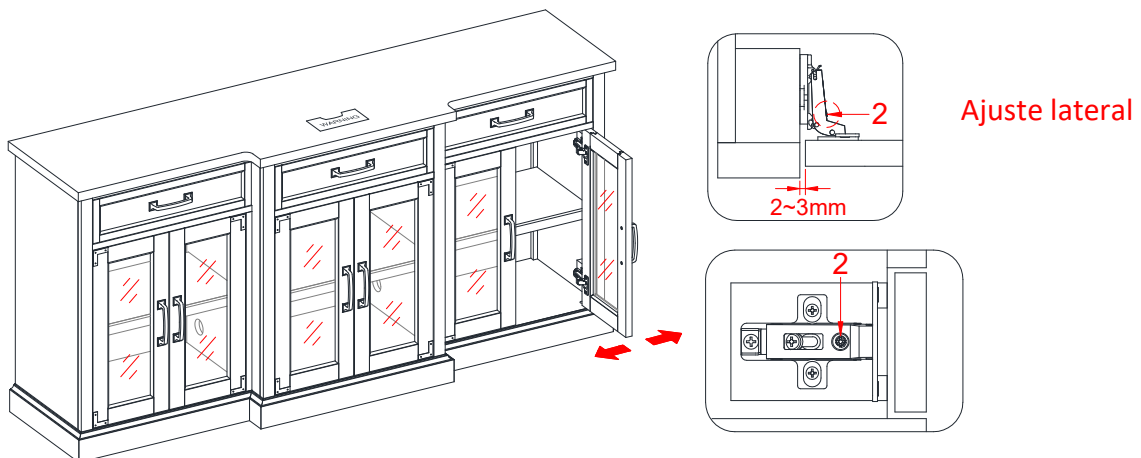


- a) Los paneles de vidrio para la puerta (F y G) están pre-adjuntados para el envío. Usted puede mantenerlos así o intercambiarlos con los paneles de madera para la puerta (D y E).

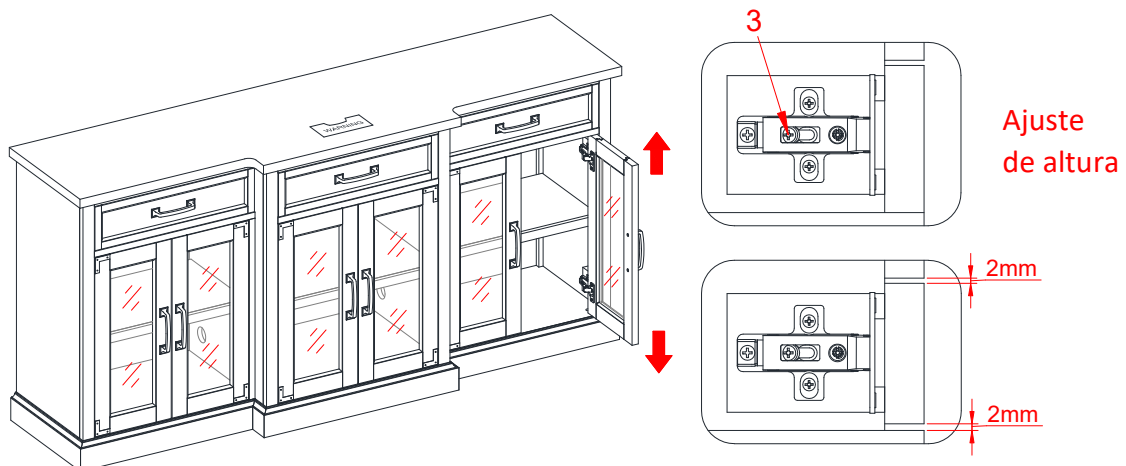
## Paso 5- ajuste de bisagras



- a) Aflojar o apretar el perno indicado para ajustar los espacios frontales y posteriores entre las puertas y la consola.

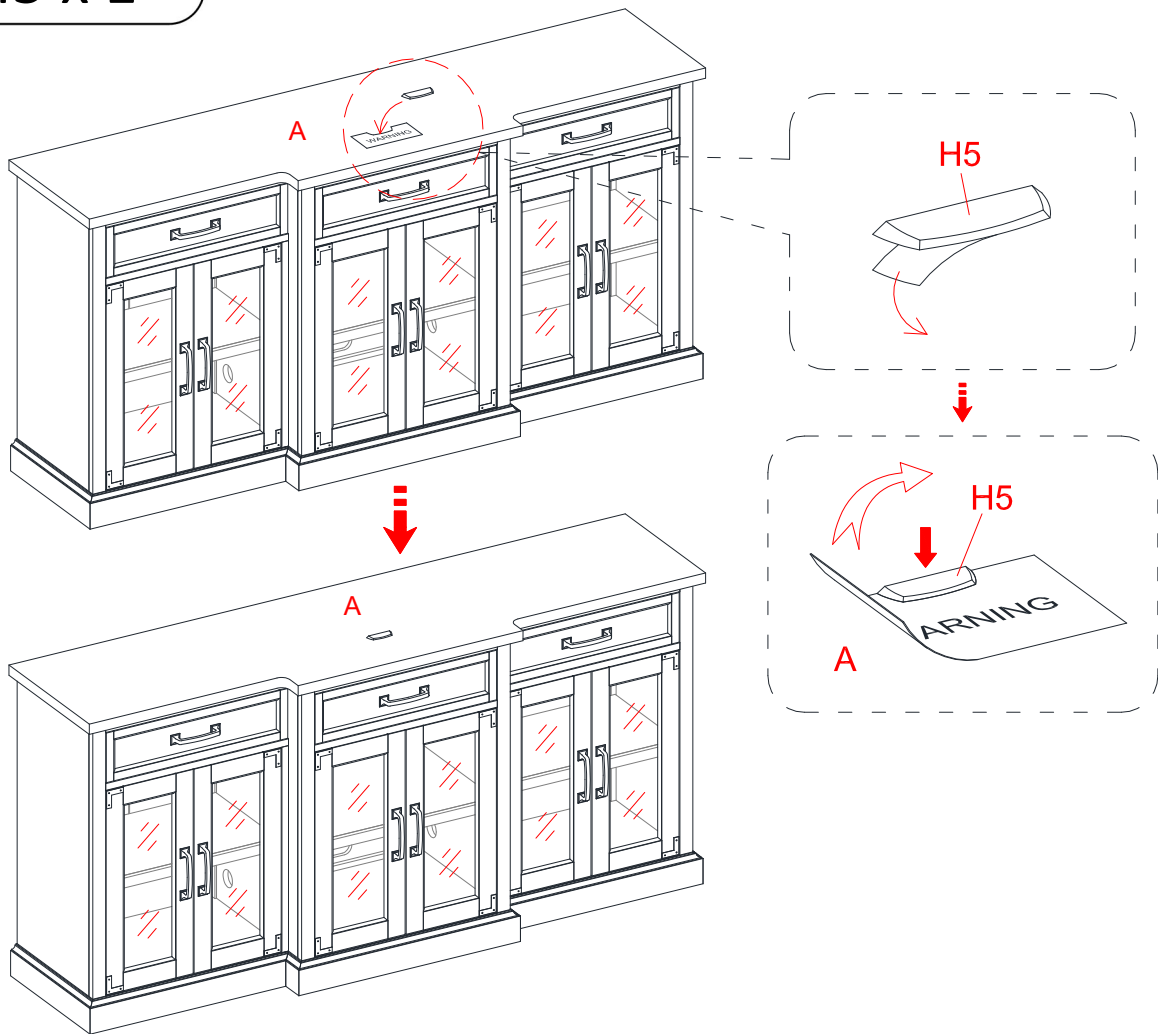
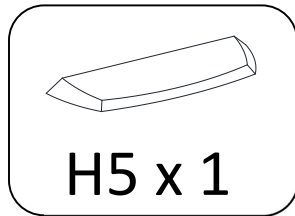


- b) Rotar el perno a la derecha o a la izquierda para ajustar la puerta horizontalmente.



- c) Aflojar o apretar el perno indicado para ajustar la puerta verticalmente.

## Paso 6



**NOTA:** Para prevenir la inclinación de su TV, usted debe seguir las instrucciones para poner la TV de pantalla plana sobre la consola. De otra manera, retirar el templado del tope de acrílico directamente.

- Retirar el papel del tope de acrílico (H5) y poner en su lugar en el recorte del templado del tope de acrílico en la parte frontal del panel superior. Asegurar que este alineado apropiadamente antes de aplicar presión.
- Ahora, retirar el templado del tope de acrílico cuidadosamente.





## ADVERTENCIA

Por favor use sus muebles de forma correcta y seguramente. El uso inapropiado puede causar riesgos a la seguridad, o daños a sus muebles u objetos de hogar. Leer cuidadosamente la siguiente información de seguridad.

Esta unidad no debe utilizarse con TVs CRT. La carga máxima de la superficie superior es 135 lbs. (61.2 kg) y puede aguantar una TV de pantalla plana de 80 pulgadas (203.2cm) diagonal. La carga máxima de la repisa es 50 lbs. (22.7 kg). El uso con TVs de mayor peso puede resultar en inestabilidad causando que la unidad caiga, causando en algunos casos daños o muerte.

La muerte o lesiones serias pueden ocurrir cuando los niños se trepan al equipo de audio y/o video del mueble. Un control remoto o juguetes puestos sobre el mueble pueden animar a un niño a treparse al mueble y causar que el mueble se caiga sobre el niño.

**NUNCA** permita que niños se trepen o jueguen con la TV o equipo de soporte para TV.

**NUNCA** poner juguetes, comida, controles, etc. sobre la TV o el mueble.

**SIEMPRE** use el equipo de seguridad como se indica u otro equipo de anclaje para pared.

La reubicación del equipo de audio y/o video a un mueble no diseñado para apoyar equipos de audio y/o video puede resultar en la muerte o lesiones serias debido al colapso del mueble o a que se caiga sobre un niño.

**NUNCA** poner la TV sobre muebles que no soportan una TV.

**NUNCA** exceder el tamaño o peso máximo de la TV mostrada en las instrucciones.

Asegúrese de consultar la etiqueta de aviso de la TV mostrada en las instrucciones.

Sobrecargar los cajones y repisas puede resultar en muebles que se rompen o hunden, o se in volqueen resultando en lesiones.

**NUNCA** exceder los límites de peso mostrados en las instrucciones.

Poner los objetos más pesados en las repisas bajas tan lejos del frente como sea posible.

Cargar las superficies inferiores primero para evitar muebles pesados de arriba.

Mover muebles que no están diseñados para ser movidos o equipados con ruedas puede resultar en lesiones o daños al mueble o a objetos personales.

**SIEMPRE** descargar repisas o cajones, empezando con las superficies superiores, antes de mover.

**NUNCA** empujar o jalar el mueble sobre alfombras. Pedir ayuda para levantar el mueble para mover y/o reposicionar.

La consola no está hecha para ser un asiento y nadie debería estar sentado o parado sobre la consola.

## Solución de problemas

Problema	Posible Causa	Prevención / Solución
Inclinación / tambaleo	La superficie no está nivelada	Ajustar los niveladores de piso
Rayaduras / Cortes	Daños por el ensamble o envío	Use el plumón para cubrir
Las puertas estan fuera de nivel.	Las bisagras no estan enganchadas apropiadamente	Consultar la etiqueta de la bisagras para ajustar

## Instrucciones de cuidado y uso

Cuidado	Use una toalla suave y limpia que no rayara la superficie al limpiar.
	Uso de cera para pulir muebles no es necesario. Si desea usar cera, pruébela en un área que no sea visible para revisar su funcionamiento.
Uso	Usar solventes de cualquier tipo puede dañar el acabado del mueble.
	Nunca use agua para limpiar la unidad, ya que le puede dañar el acabado.
	Líquidos derramados deben limpiarse inmediatamente, con una toalla suave evitando tallar.
	No poner el mueble en luz solar directa.

## Información de garantía

Este producto tiene un (1) año de garantía en contra de defectos en el material y/o la obra de mano. Si usted tiene preguntas sobre la garantía o partes extras/de repuesto, por favor llame a nuestro número de llamada gratuita **1-866-942-5362** o mande un email a [parts@whalenfurniture.com](mailto:parts@whalenfurniture.com)

**NOTA:** Por favor considere reciclar todo el material de empaque aplicable.

**Distribuido por Sam's West Inc.**  
2101 SE Simple Savings Dr.  
Bentonville, Arkansas 72716-0745

Hecho en Vietnam

