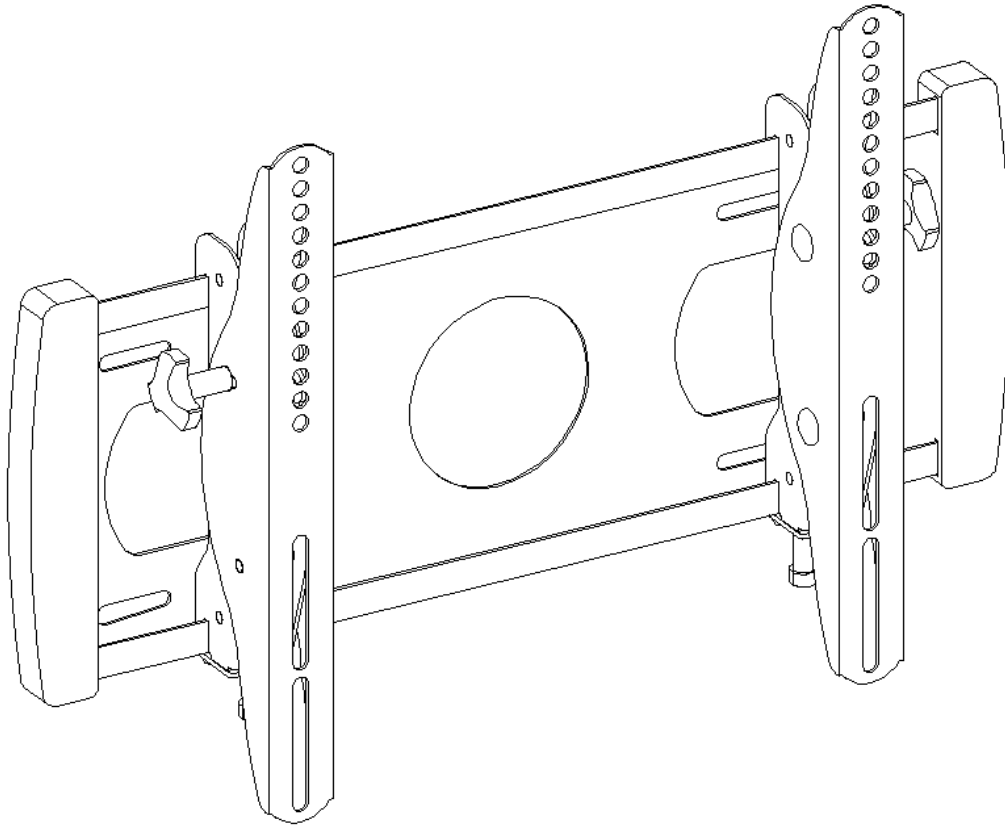


Tilting Wall Mount / Satin Black / 100lbs / 23"-46" TV's

VWM-1



TWO ADULTS REQUIRED FOR ASSEMBLING

If you have any questions regarding assembly or if you are missing parts,
do not return this item to the Retailer Store

Please call our customer service number and have your instructions and
parts list ready to provide the model name, part name or factory number:

1-866-942-5362

Pacific Standard Time: 8:30 am - 4:30 pm Monday to Friday

or visit our web site 24 hours a day, 7 days a week for product

assistance at www.whalenfurniture.com

or e-mail your request to parts@whalenfurniture.com

MODEL No.: VWM-1
LOT No.: _____
DATE OF PURCHASE: _____


when value and style matter

**THIS INSTRUCTION BOOKLET CONTAINS IMPORTANT SAFETY INFORMATION.
PLEASE READ AND KEEP FOR FUTURE REFERENCE.**

VAS Furniture Mfg. Inc.

Factory No. 64-12209

Page # 1



QUALITY GUARANTEE

We are confident that you will be delighted with your VAS Furniture purchase.

Should this product be defective in workmanship or materials or fail under normal use, we will repair or replace it for up to 1 year from date of purchase. Every VAS Furniture product is designed to meet your highest expectations. We guarantee that you will immediately see the value of our fine furniture.

This warranty gives you specific legal rights and you may also have other rights which vary from State to State.

Customer Service: 1-866-942-5362

8:30 a.m. - 4:30 p.m. PST Monday to Friday

www.whalenfurniture.com

IMPORTANT:

- This product is designed to mount flat panel televisions up to 46" weighting up to 100 lbs to a vertical wall. It allows you to mount your TV flat against the wall or at a fixed 15 degree tilt.
- Consult a qualified installer if you have any questions regarding the proper installation of this wall mount.
- Before beginning installation, thoroughly study all instructions and illustrations pertaining to the installation of this product. If at any point you do not understand these directions or have any doubts about the safety of the installation, please contact a qualified contractor.
- For safe installation the wall surface upon which the mount is to be installed must be capable of supporting a redundant load factor 4 times the total weight of equipment. If not, the surface must be reinforced to meet this standard. The installer is responsible for verifying the wall structure/surface to which the mount is anchored in and the anchors used in the installation will safely support the combined load of all equipment.
- This product has been designed for application on a wall in commercial and residential buildings, constructed of wood wall studs or masonry (solid concrete, brick and stone). If you are unsure of your wall composition or for assistance with other surfaces, contact a qualified installer.
- **Under no circumstances should this product be mounted to metal framing studs.**
- **NEVER** exceed the maximum load capacity of 100 lbs.
- Do not use this mount for any application other than those explicitly specified in this manual.
- Before beginning installation check carefully to ensure that there are no missing or damage parts.
- Do not install with defective or incomplete hardware!
- Never use defective parts. For missing and defective parts or if the hardware needed to mount your equipment is not included, contact our customer service at **1-866-942-5362**.


WARNING:

This product contains small items that could be a choking hazard if swallowed. Keep these items away from young children!

Severe personal injury, property damage and death can result from improper mount installation!

This product may contain moving parts, watch for pinch points!

Do not use this mount for any application other than those explicitly specified in this manual.

 **CAUTION: This wall mount is intended for use only with the products and maximum weights indicated. Use with other products or products heavier than the maximum weights indicated may result in instability causing possible injury.**

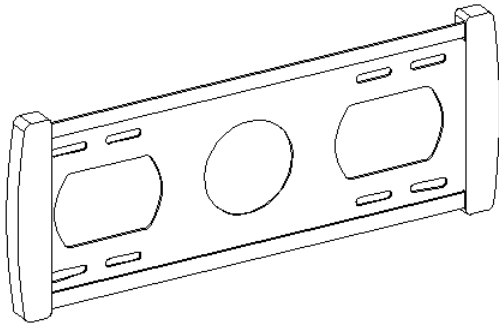
VAS Furniture Mfg. Inc.

Factory No. 64-12209

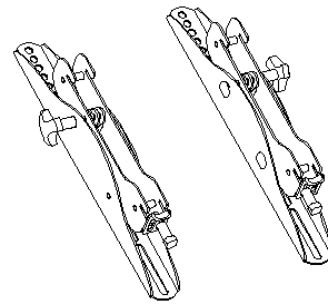
Page # 2

Step One: Included in the Box

Included with your mount is all of the hardware required for installation. Please read completely through the instructions before beginning installation. Layout all of the items to verify that all parts listed are present and undamaged. Never use defective parts.



(MP) - Wall Mount Plate (Qty.1)

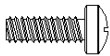


(MB) - Monitor Brackets (Qty.2)

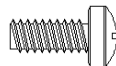


T- Stud Finder with Level (Qty.1)

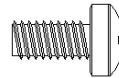
Hardware Kit



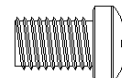
A- M4 x 12 Bolt (4)



B- M5 X 12 Bolt (4)



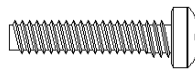
C- M6 x 12 Bolt (4)



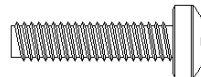
D- M8 x 12 Bolt (4)



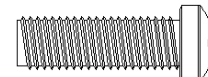
E- M4 x 25 Bolt (4)



F-M5 x 25 Bolt (4)



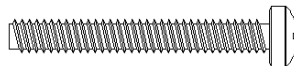
G- M6 x 25 Bolt (4)



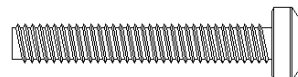
H- M8 x 25 Bolt (4)



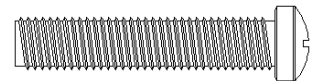
I- M4 x40 Bolt (4)



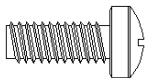
J- M5x40 Bolt (4)



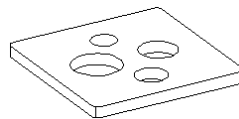
K- M6 x 40 Bolt (4)



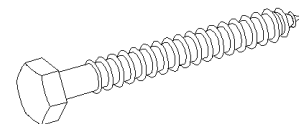
L- M8 x 40 Bolt (4)



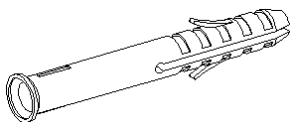
M- Ø1/4" x 5/8" Bolt (4)



N- Square Washer (4)



O - Lag Bolt (6)



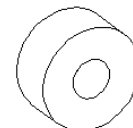
P- Concrete Anchor (6)



Q - Lag Bolt Washer (6)



R- Small Spacer (8)



S- Large Spacer (8)

VAS Furniture Mfg. Inc.

Factory No. 64-12209

Page # 3

Step Two: Required Installation Tools

To install your mount you will need a Stud Finder w/Level (provided), Large Philips head screwdriver, Mallet, Power Drill, 3/16" Wood Drill Bit, 7/16" Masonry Drill Bit, Socket wrench adapter with 1/2" socket, Pencil, and Tape Measure.

Step Three: Selecting a Location

Find the optimal place to mount your flat panel television. Consider the proper position relative to your room, placement of furniture and windows.

Consider the overall size of your TV and hold the mount up to the wall to verify the correct location. The center of the Titling Wall Mount will be the center of your flat panel TV in its final position.

Important: Make sure that there is adequate mounting space available for the display, considering the display dimensions.

Determine a location on the wall for height and approximate left-right position by marking the center point of the mount in its desired location.

Step Four: Mounting the Mount Plate to the Wall

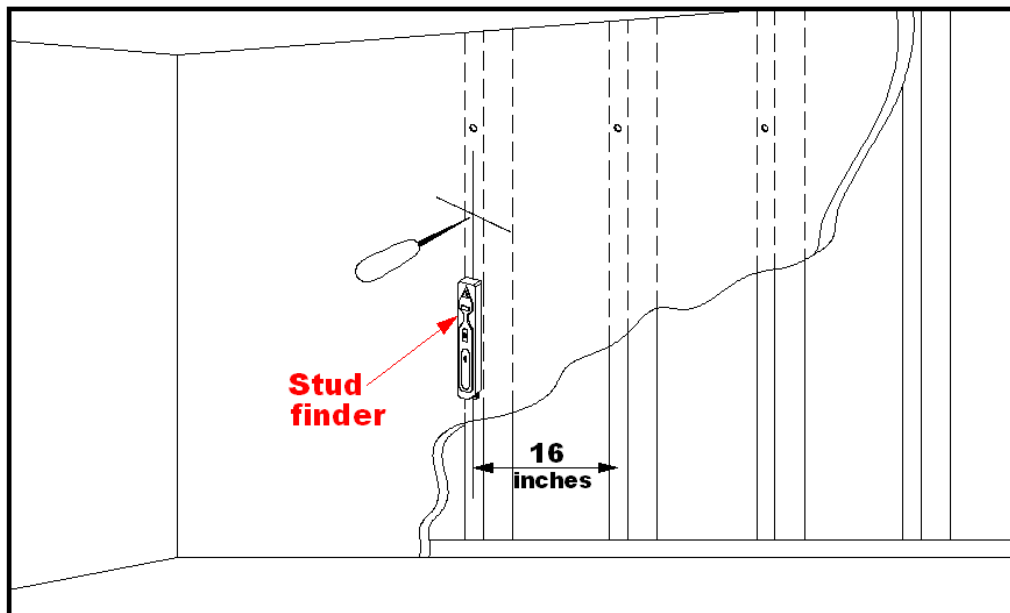
Identify which material your wall is constructed of, installing Wall Mount Plate (MP) onto the wall.

For Wooden Wall

The Wall Mount Plate (MP) must be mounted to two adjacent Wood Studs at least 16" apart. Starting at the center mark, locate the position of the nearest studs with the provided Stud Finder (T) and mark the outside edges and center locations. Finding the center is critical to proper installation of your wall mount. Repeat the stud finding process until you are absolutely certain that you have located the center, verify with a nail if correct. See Figure 1.

Studs are typically 16" apart inside your wall. Approach each stud from both sides to be sure of their location. Locate the second stud using the same technique.

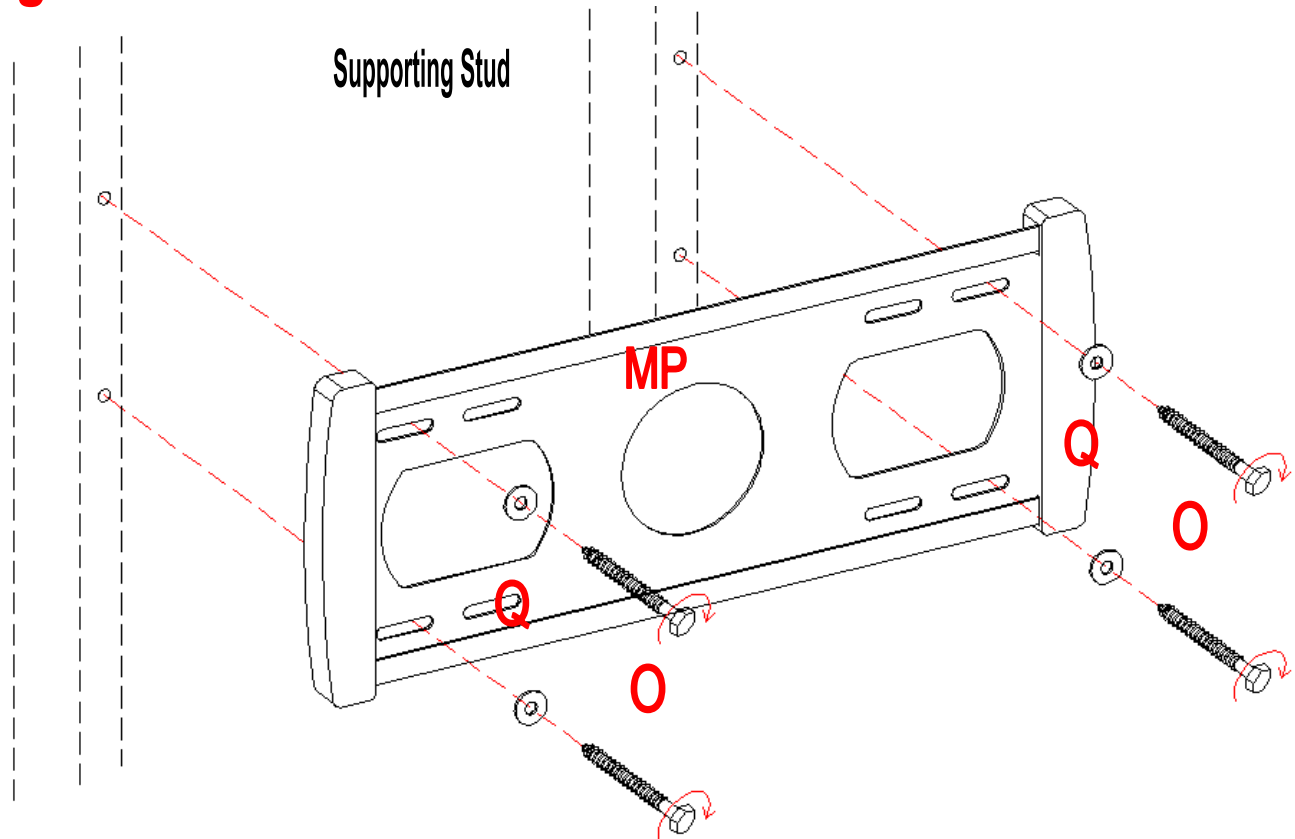
Figure 1



Use the wall mount plate as a template to determine the hole positions in the studs. Set the included Stud Finder with Level on the mount to verify that the mount is level before marking the hole positions. Use a pencil to mark where the studs and mount plate slots intersect.

Pre-drill mounting holes 3 1/2" deep at these locations using a 3/16" wood drill bit. Make sure these holes are centered in the studs and level with each other. Orient the Wall Mount Plate (MP) and mount to the wall with Lag Bolts & Washers (O & Q) as shown in Figure 2. loosely at first, testing with the Level to verify that it remains level. Securely fasten the mount plate to the wall.

Figure 2

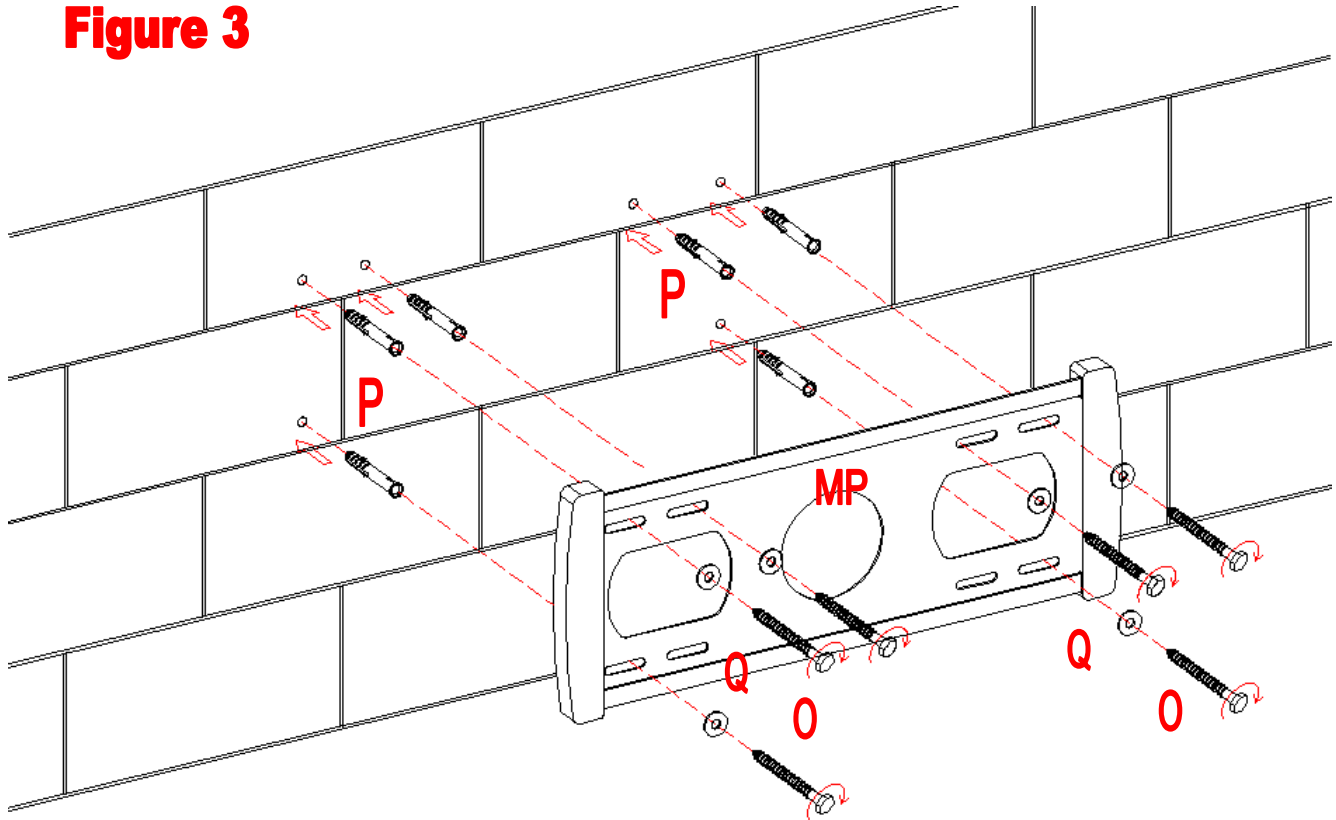


CAUTION: Do not over tighten the Lag Bolts. Tighten Lag Bolts only until the Lag Bolt Washer is pulled firmly against the Wall Mount Plate. Failure to heed this caution may result property damage and/or personal injury.

For Brick, Solid Concrete, or Cinder Block Wall

Using the Wall Mount Plate (MP) as a template, mark six hole locations on the wall, always use the Leveler to double check the holes level with each other. Drill these holes 3 1/4" deep using a 7/16" masonry drill bit. Insert a Concrete Anchor (P) into each of these holes; make sure they are completely seated and flush with the concrete surface, even if there is a layer of drywall or other material in front of the concrete. Orient the Wall Mount Plate (MP) and mount to the wall. Tighten all Lag Bolts fully.

Figure 3



CAUTION: Always locate Concrete Anchors (P) in the brick, solid concrete or cinder block. Never drill into the mortar between blocks. Make sure the Concrete Anchor is seated flush with the masonry surface even if there is a layer of drywall or other material. If you can slide the plastic Concrete Anchor into pre drilled hole easily, it is NOT correct, and you have pre drilled your hole TOO large. The Concrete Anchor needs to be tapped into pre drilled hole with rubber mallet or hammer, for pre drilled hole to be correct. Failure to heed this caution may result in property damage and/or personal injury.

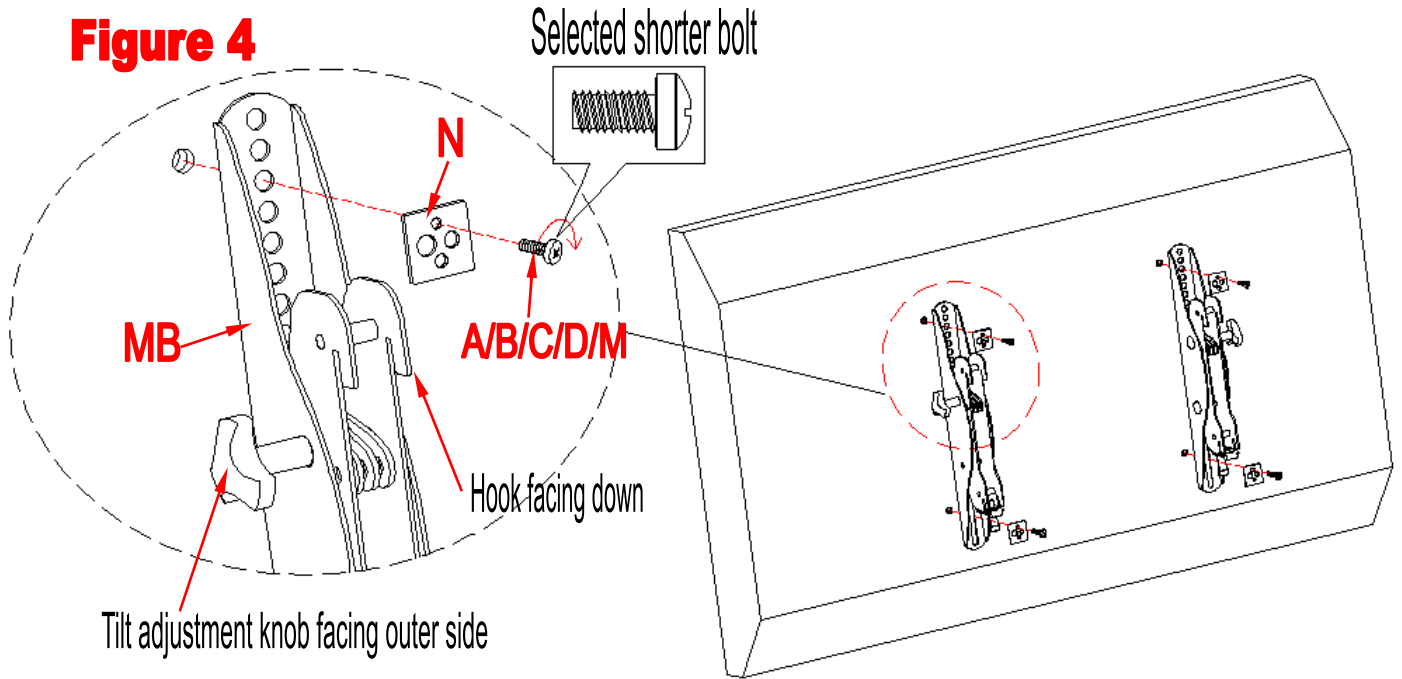
WARNING: MUST USE 7/16" DIAMETER MASONRY DRILL BIT WHEN INSTALLING THE PLASTIC WALL ANCHOR TO THE WALL.

Step Five: Attaching the Monitor Brackets to the TV

Select the proper bolts from the included set by hand-threading them into the inserts on the back of your TV. The proper bolt should screw in without resistance. Attach the Monitor Brackets (MB) to the back of the television ensuring the tilt adjustment knob facing outer side. Do not over tighten, but be sure that the brackets are secure when you are done.

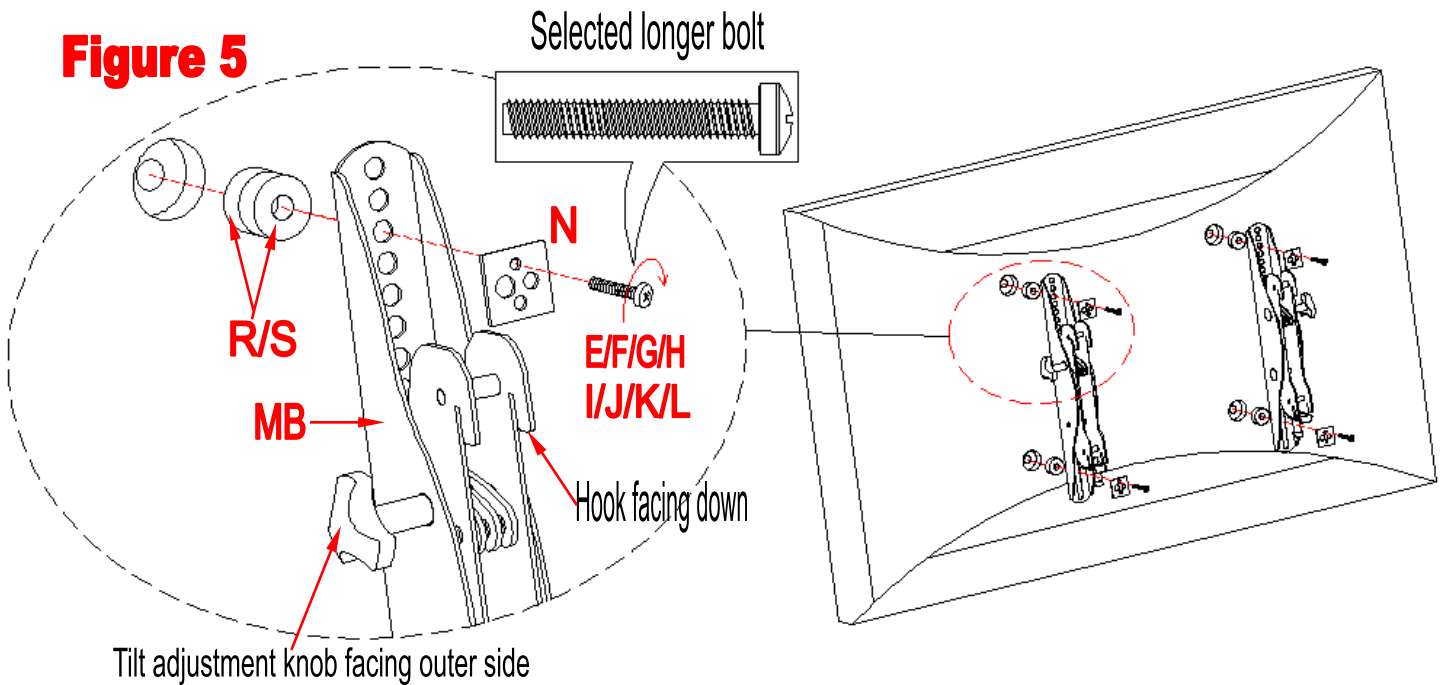
For Monitors with a Flat Back

Figure 4



For Monitors with a Curved / Recess Back

Figure 5

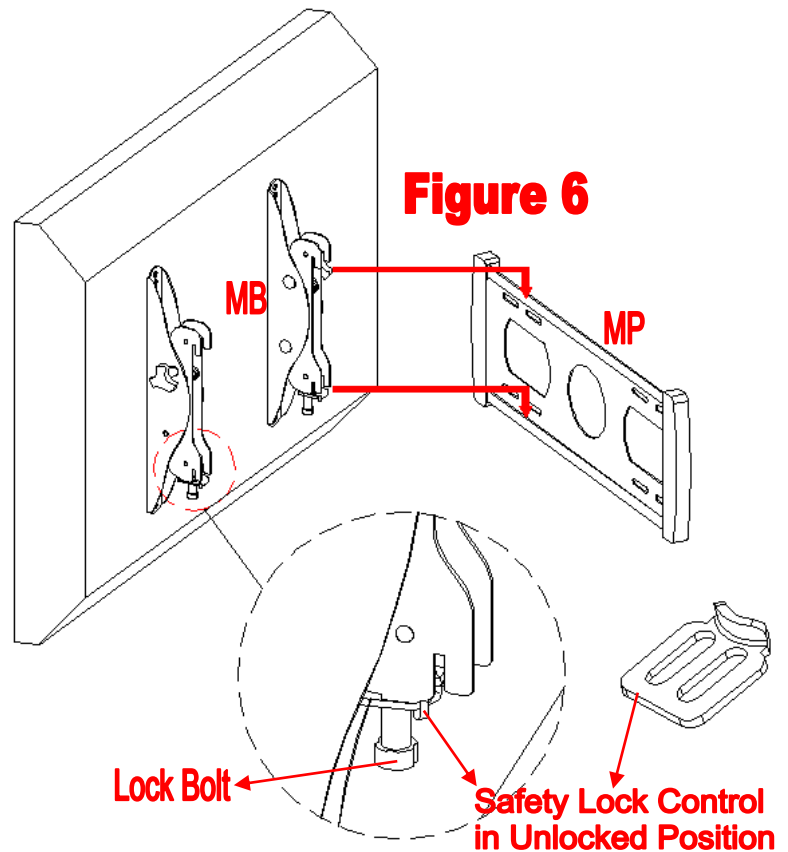


CAUTION: Do not force the bolt into the hole in the back of the TV. Fasten the bolt only by hand. If the hardware required is not included please consult your local hardware store.

Step Six: Hanging the TV

Ask for assistance when lifting TV to attach the Monitor Brackets (MB) onto the Wall Mount Plate (MP). Make sure the Safety Lock Controls pre-attached under the Monitor Bracket (MB) are in unlocked position when attaching.

Once the TV with the Monitor Brackets (MB) is positioned on the Wall Mount Plate (MP), loosen the Lock Bolt under the brackets and slide the Safety Lock Controls all the way into the closed position. Retighten the Lock Bolts to ensure your TV is safe and secure on the wall.

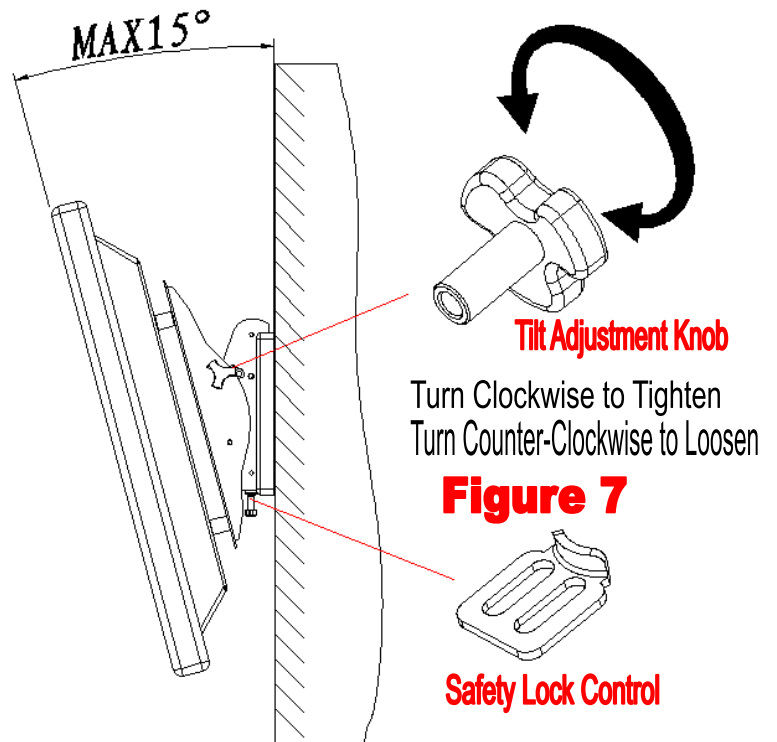


Step Seven: Adjustments

The Monitor Bracket (MB) can tilt up to 15° downward, depending on your optimum viewing position. Have your assistant hold the TV steady before you start to adjust the tilt. Simply reach behind the TV and turn the Tilt Adjustment Knob to adjust your TV to provide optimum viewing and minimize glare.

Note: If you need to remove the TV, make sure both Safety Lock Controls are disengaged fully.

Finally, connect the AV and power cables to your TV.



Your assembly should now be complete.
Thank you for your purchase.