



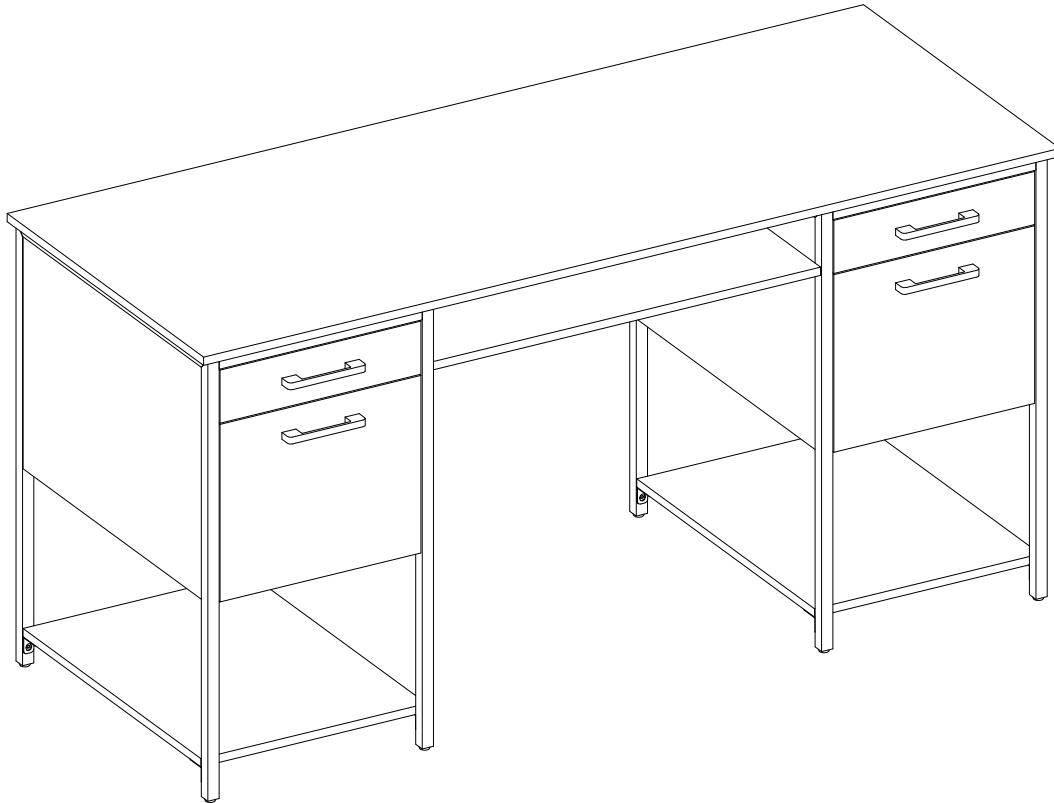
WHALEN®

LOT NUMBER: _____

DATE PURCHASED: __/__/__

Roca Double Pedestal Desk

Model # SPCA-ROC60DPD



ADULT ASSEMBLY REQUIRED DUE TO THE PRESENCE OF SMALL PARTS, SHARP POINTS, SHARP EDGES AS RECEIVED

If you have any questions regarding assembly or if parts are missing, DO NOT return this item to the store where it was purchased. Please call our toll-free customer service number and have your instructions and parts list ready to provide the model name, part name or factory number:

1-866-942-5362

Pacific Standard Time: 8:30 a.m. - 4:30 p.m., Monday - Friday

Or visit our web site 24 hours a day, 7 days a week for product assistance at

www.whalenfurniture.com

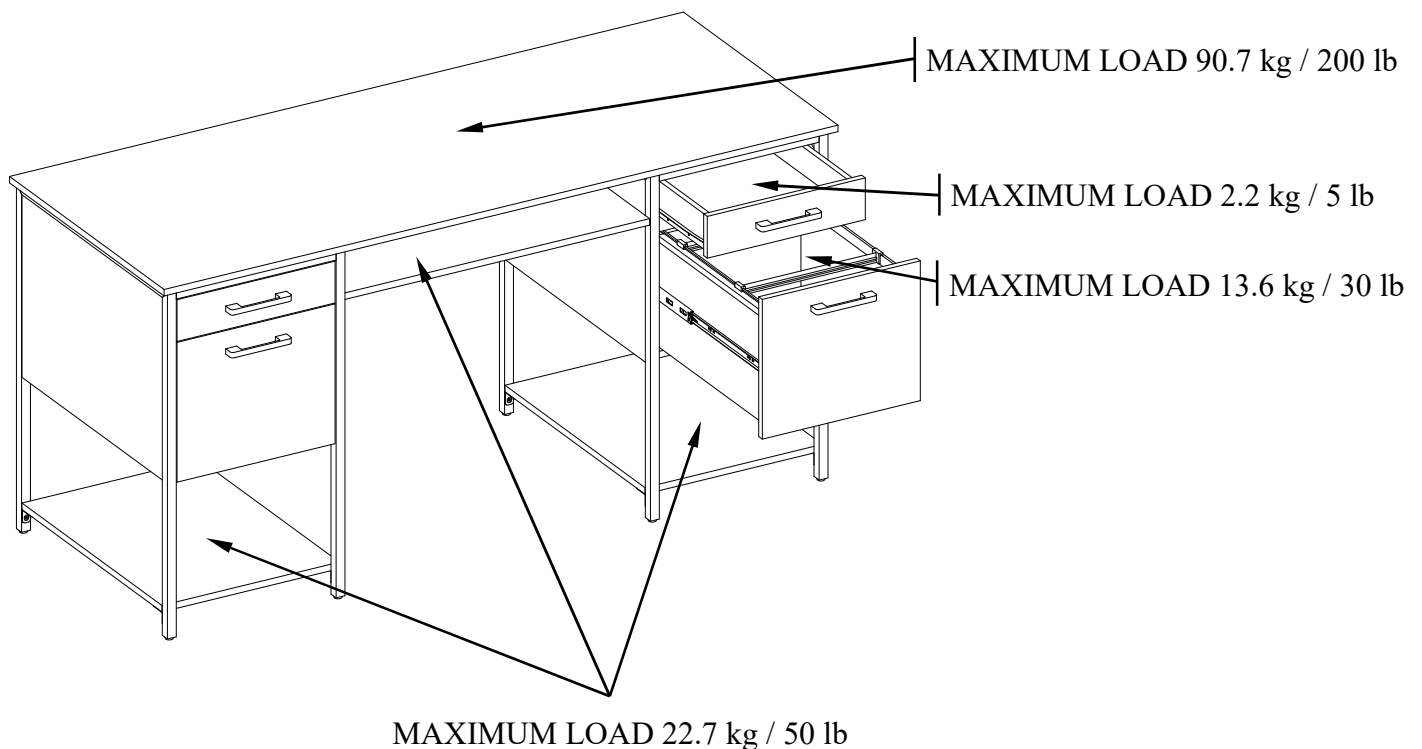
Or e-mail your request to **parts@whalenfurniture.com**

**THIS INSTRUCTION BOOKLET CONTAINS IMPORTANT SAFETY INFORMATION.
PLEASE READ AND KEEP FOR FUTURE REFERENCE.**

Date 2024-07-12 Rev. 0001-A

MAXIMUM RECOMMENDED WEIGHT LOADS

MANUFACTURER: Whalen Furniture Manufacturing
CATALOG : Roca Double Pedestal Desk
MODEL # SPCA-ROC60DPD



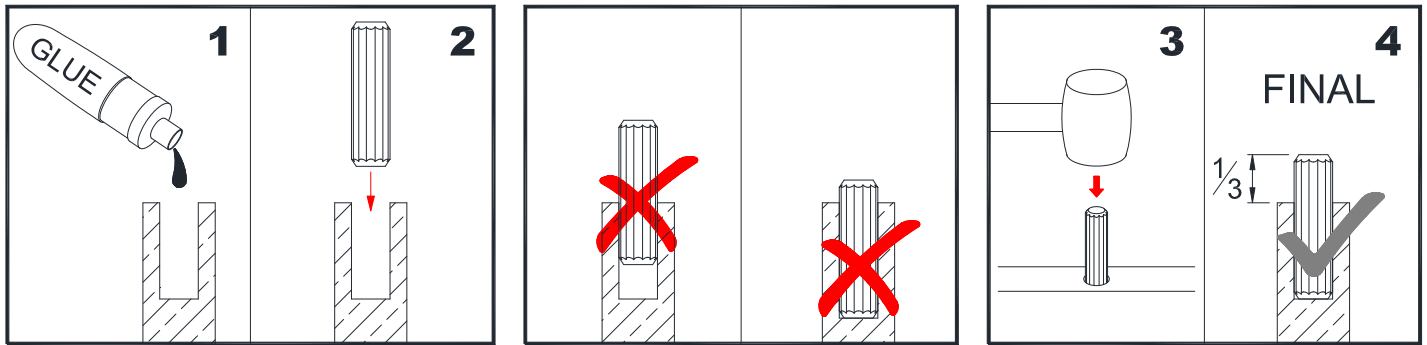
⚠ WARNING

THIS UNIT IS INTENDED ONLY FOR USE WITHIN THE MAXIMUM WEIGHTS INDICATED. USE WITH LOAD HEAVIER THAN THE MAXIMUM WEIGHTS INDICATED MAY RESULT IN INSTABILITY, CAUSING POSSIBLE INJURY.

SPECIAL NOTE

Please read the instruction sheets completely before assembly. Examine all packaging material before discarding carton. Remove any remaining staples from the carton before discarding. Remove all parts from carton and separate into groups as indicated on part list. Please ensure all parts are included prior to assembly. Use of power tools to complete assembly is not recommended.

IMPORTANT

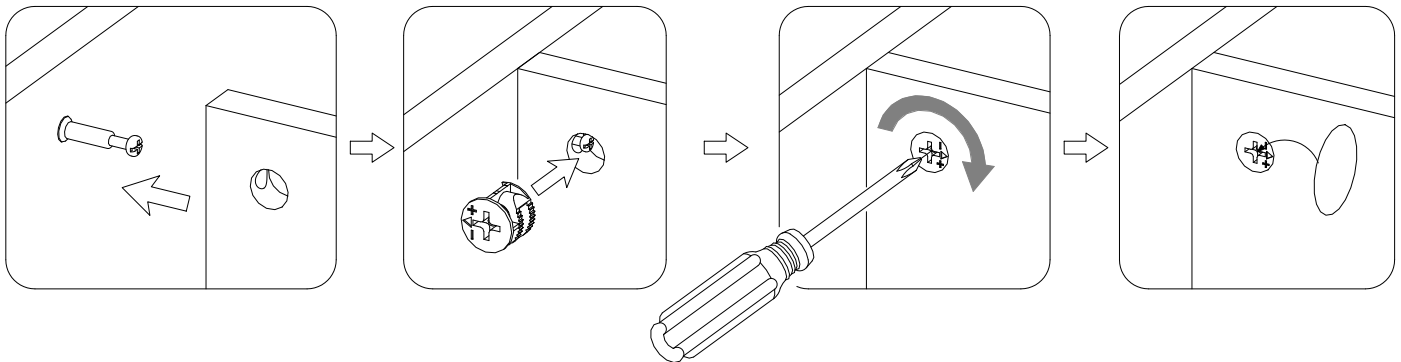


Before you begin: Open, identify and count all parts prior to assembly. Lay out parts on a flat and non-abrasive surface. You will need the parts identified on page 4 and 5 of this instruction manuals.

NOTE: IT IS VERY IMPORTANT TO USE GLUE WITH DOWELS. EXCESS GLUE CAN BE WIPED OFF WITH DAMP CLOTH.

Insert the Dowel at least half way by tapping lightly with a rubber mallet, IF NECESSARY.

CAM LOCK SYSTEM OPERATION



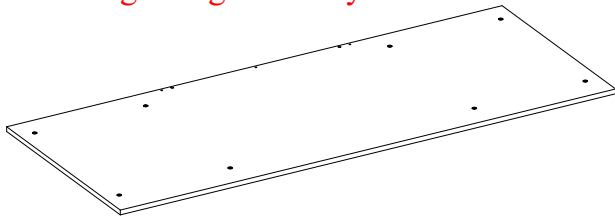
HOW THE KNOCK DOWN (KD) ASSEMBLY SYSTEM WORKS

1. Screw the Cam Bolt into the threaded inserts on the panel. Connect both panels together; making sure Cam Bolt goes into the pre-drilled hole on the end of panel for Cam Lock.
2. Insert the Cam Lock into the pre-drilled large hole on the panel. Make sure the arrow on the face of Cam Lock faces out and points towards Cam Bolt.
3. Take a Phillips screwdriver and rotate the Cam Lock clockwise to lock the Cam Bolt in place.
4. Put the paper sticker over the Cam Locks to conceal the cam.

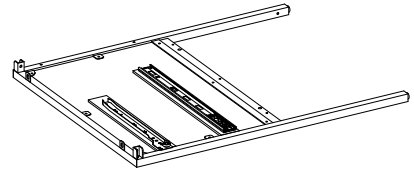
You are now ready to assemble the KD unit.

Parts and Hardware List

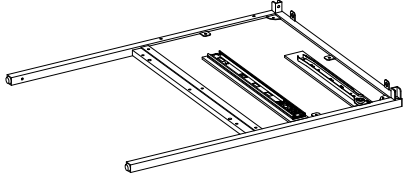
Please read completely through the instructions and verify that all listed parts and hardware are present before beginning assembly.



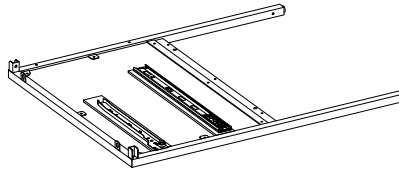
A- Desk Top
(Qty. 1)



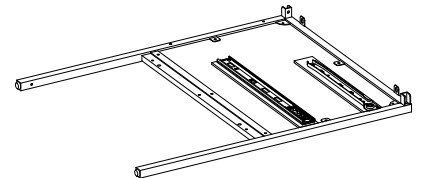
B- Left Cabinet Left Frame
(Qty. 1)



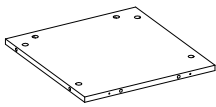
C- Left Cabinet Right Frame
(Qty. 1)



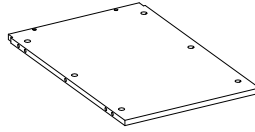
D- Right Cabinet Left Frame
(Qty. 1)



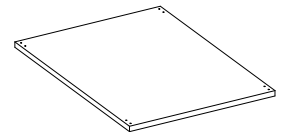
E- Right Cabinet Right Frame
(Qty. 1)



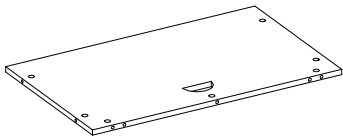
F- Cabinet Back Panel
(Qty. 2)



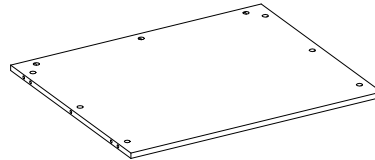
G- Cabinet Bottom Panel
(Qty. 2)



H- Cabinet Bottom Shelf
(Qty. 2)



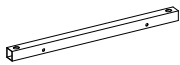
I- Modesty Panel
(Qty. 1)



J- Middle Fixed Shelf
(Qty. 1)



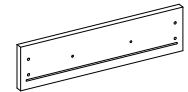
K- Middle Stretcher
(Qty. 1)



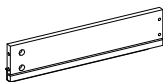
L- Cabinet Back Stretcher
(Qty. 2)



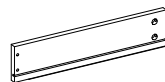
M- Cabinet Front Stretcher
(Qty. 2)



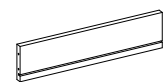
N- Utility Drawer Front
(Qty. 2)



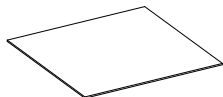
O- Utility Drawer Left Side
(Qty. 2)



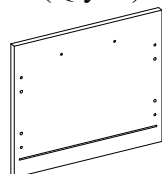
P- Utility Drawer Right Side
(Qty. 2)



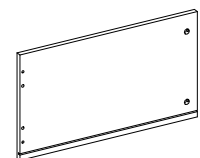
Q- Utility Drawer Back Panel
(Qty. 2)



R- Utility Drawer Bottom Panel
(Qty. 2)



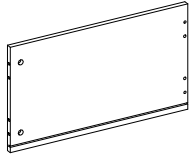
S- File Drawer Front
(Qty. 2)



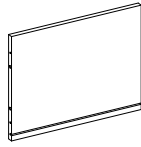
T- File Drawer Left Side
(Qty. 2)

Parts and Hardware List

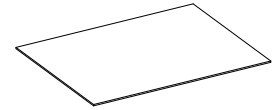
Please read completely through the instructions and verify that all listed parts and hardware are present before beginning assembly.



U- File Drawer Right Side
(Qty. 2)



V- File Drawer Back Panel
(Qty. 2)



W- File Drawer Bottom Panel
(Qty. 2)



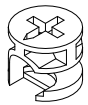
X- Guide Rail
(Qty. 4)



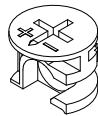
Y- File Hanger
(Qty. 4)



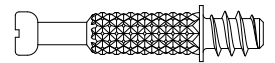
Z- Handle
(Qty. 4)



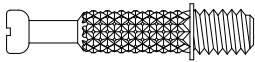
(1) Small Cam Lock
(Qty. 16+1 extra)



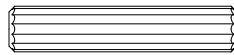
(2) Large Cam Lock
(Qty. 40+2 extra)



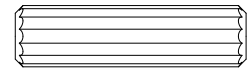
(3) Self Tapping Cam Bolt
(Qty. 40+2 extra)



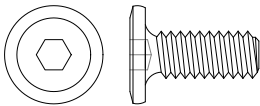
(4) Cam Bolt
(Qty. 16+1 extra)



(5) M6 x 30 mm Small Wood Dowel
(Qty. 16+1 extra)



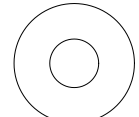
(6) M8 x 30 mm Large Wood Dowel
(Qty. 20+1 extra)



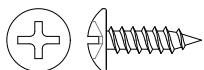
(7) M6 x 15 mm Bolt
(Qty. 20+1 extra)



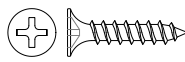
(8) Lock Washer
(Qty. 28+1 extra)



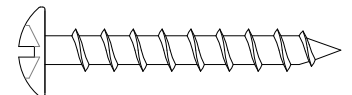
(9) Flat Washer
(Qty. 28+1 extra)



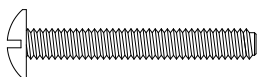
(10) M3.5 x 12 mm Pan Head Screw
(Qty. 16+1 extra)



(11) M3.5 x 15 mm Screw
(Qty. 2+1 extra)



(12) M4 x 38 mm Screw
(Qty. 20+1 extra)



(13) 5/32" x 30 mm Handle Bolt
(Qty. 8+1 extra)



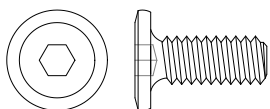
(14) Cable Holder
(Qty. 2)



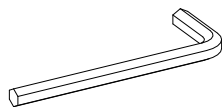
(15) Metal Bracket
(Qty. 8)



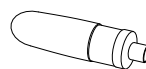
(16) Paper Sticker
(Qty. 16+1 extra)



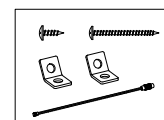
(17) 1/4" x 15 mm Bolt
(Qty. 8+1 extra)



Hex Wrench
(Qty. 1)



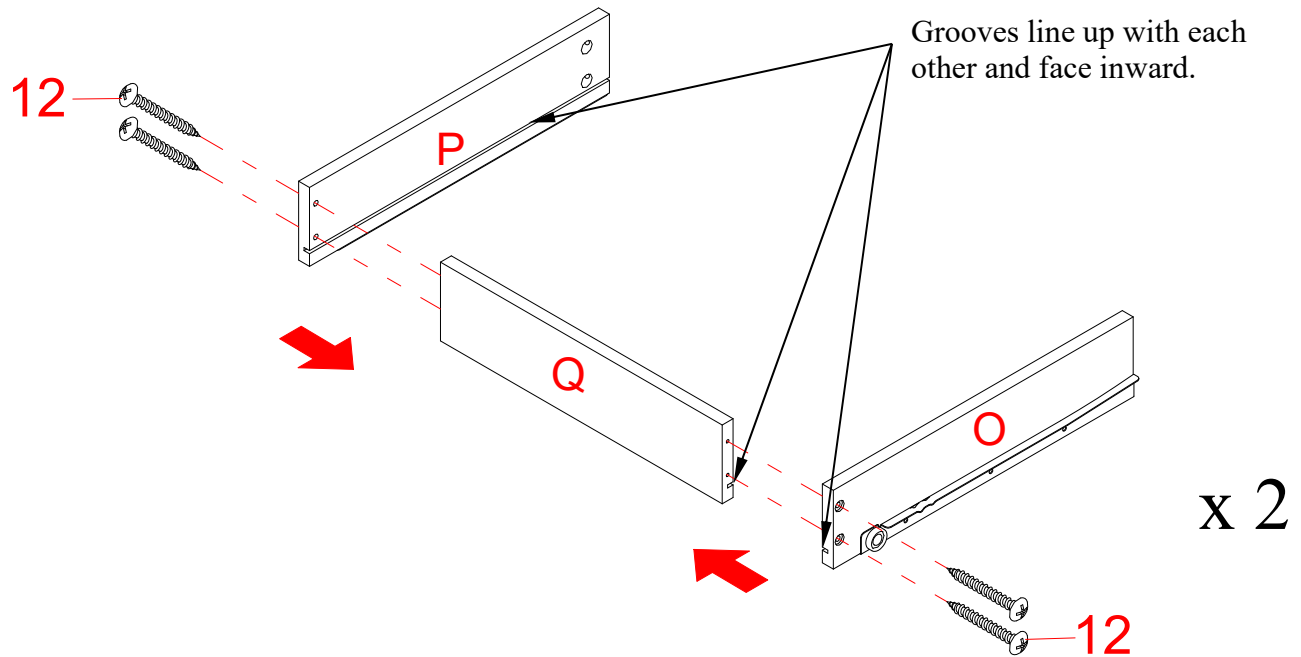
Glue
(Qty. 1)



Tipping Restraint Hardware Kit (Qty.2)
(Included in plastic bag)

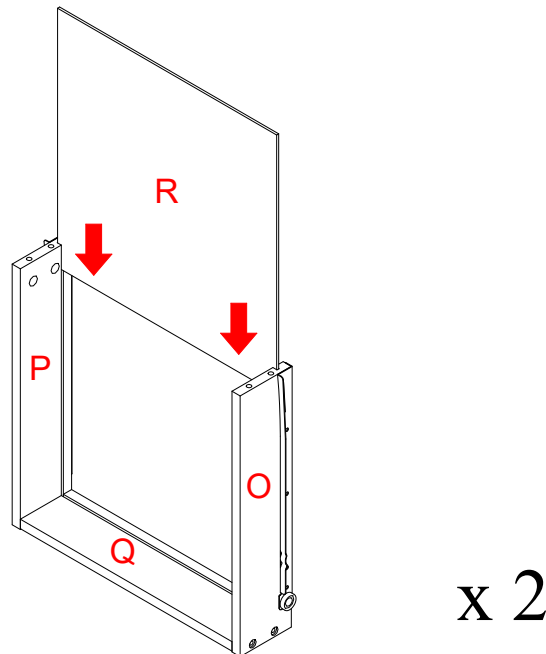
Tools required: Hex wrench (provided), Phillips screwdriver, stud finder, tape measure, pencil, power drill and 1/8" drill bit (not provided).

Utility Drawer Assembling



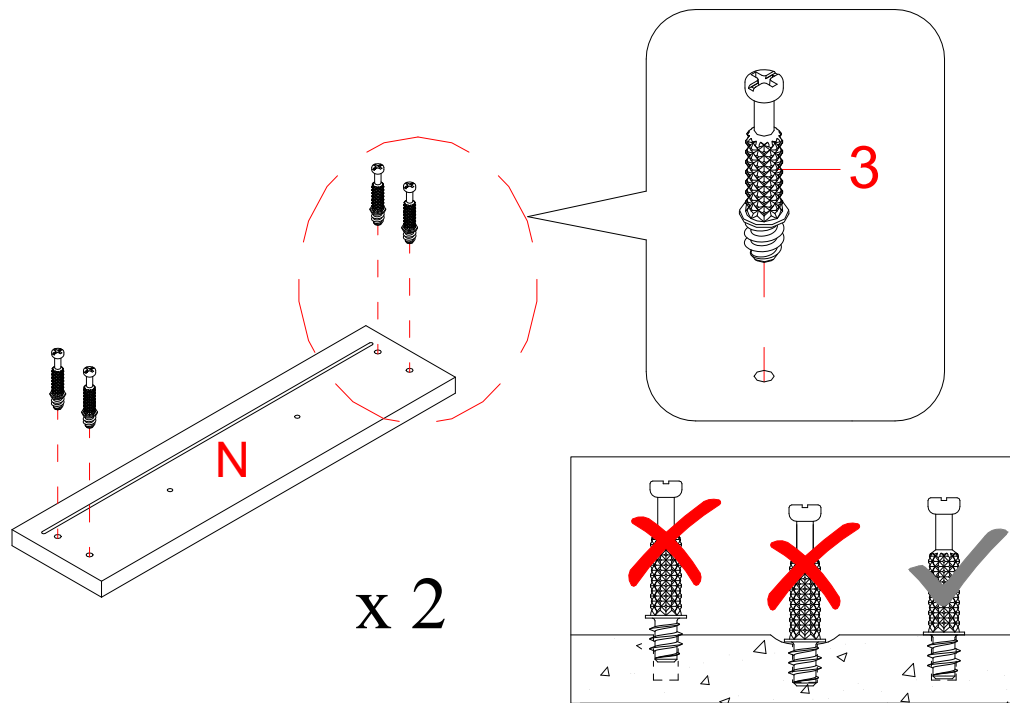
NOTE: Please do not fully tighten all bolts and screws until you finish assembling all parts. Once assembled, go back and fully tighten all bolts and screws. This will make the assembly easier.

1. Unpack the unit and confirm that you have all the hardware and required parts. Assemble the unit on a carpeted floor or the empty carton to avoid any scratch.
2. Orient and attach one Utility Drawer Back Panel (Q) between two Utility Drawer Side Panels (O and P) with four 38 mm Screws (12).
3. Repeat this step to assemble an additional drawer assembly.



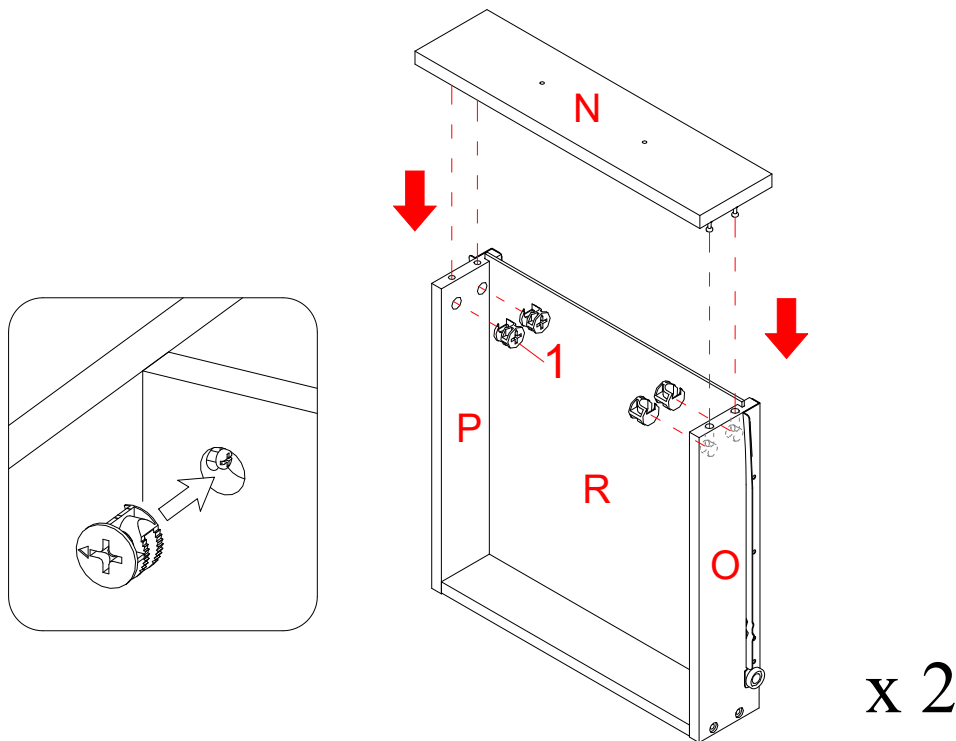
4. Slide one Utility Drawer Bottom Panel (R) into the grooves on the Utility Drawer Side Panels (O and P) until fully inserted into the Utility Drawer Back Panel (Q).
5. Repeat this step to assemble an additional drawer assembly.

Utility Drawer Assembling



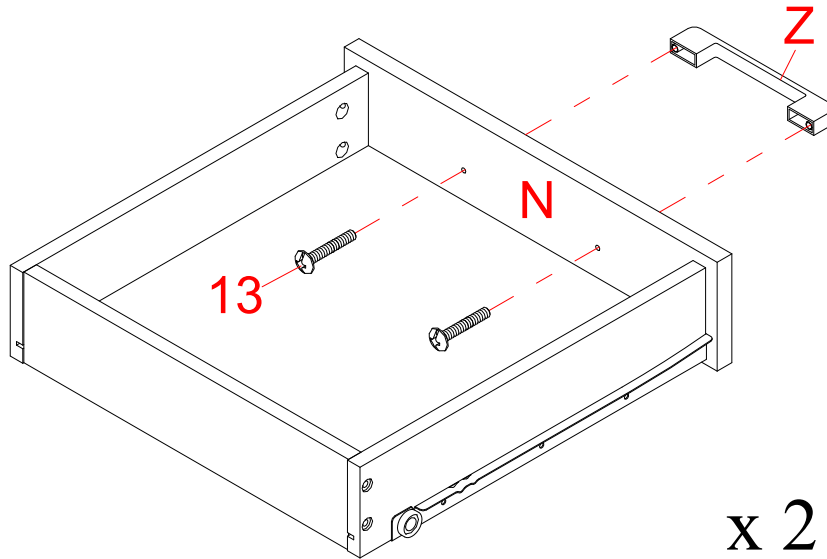
- Securely screw eight Self Tapping Cam Bolts (3) into the designated small holes on the Utility Drawer Front Panels (N) using a Phillips screwdriver.

NOTE: Screw-in cam bolts must be screwed down flush. DO NOT over tighten the cam bolts.

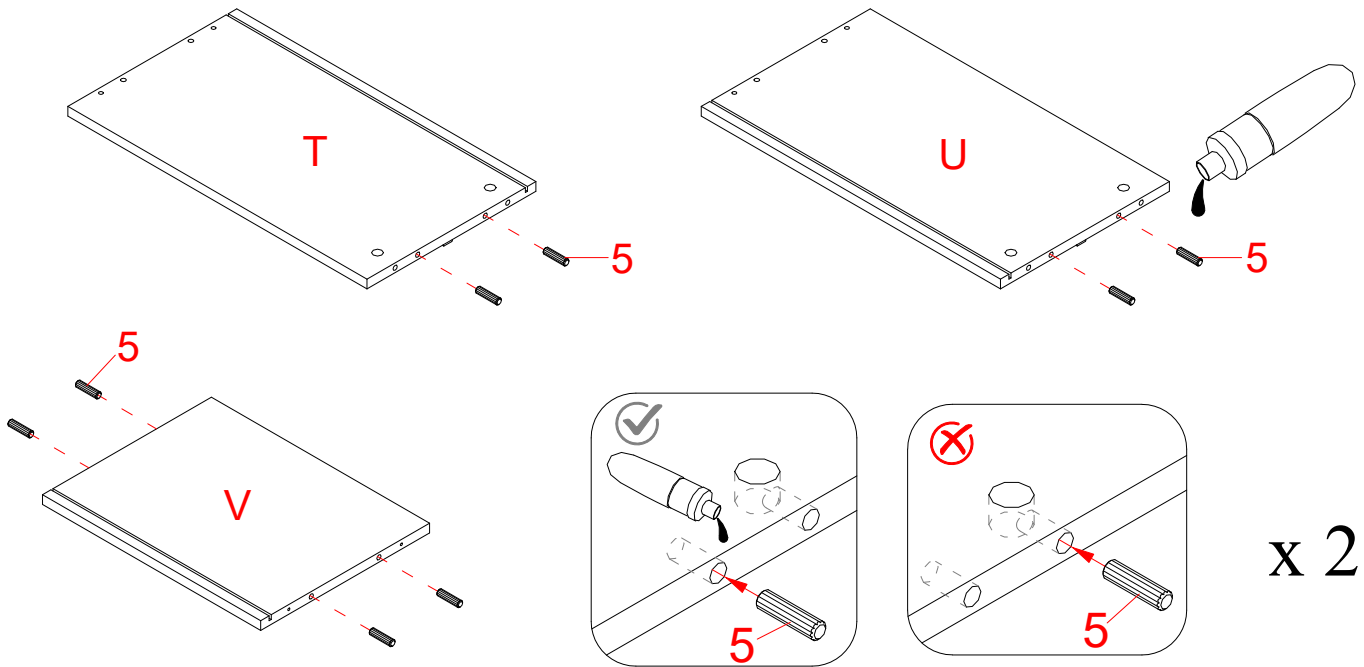


- Align and attach one Utility Drawer Front Panel (N) to both Utility Drawer Side Panels (O and P) by engaging and tightening four Small Cam Locks (1). (Refer to page 3 on Cam Lock system operation supplement). Make sure that the Utility Drawer Bottom Panel (R) fits securely into the groove of the Utility Drawer Front Panels (N).
- Repeat this step to assemble an additional drawer assembly.

Utility Drawer Assembling



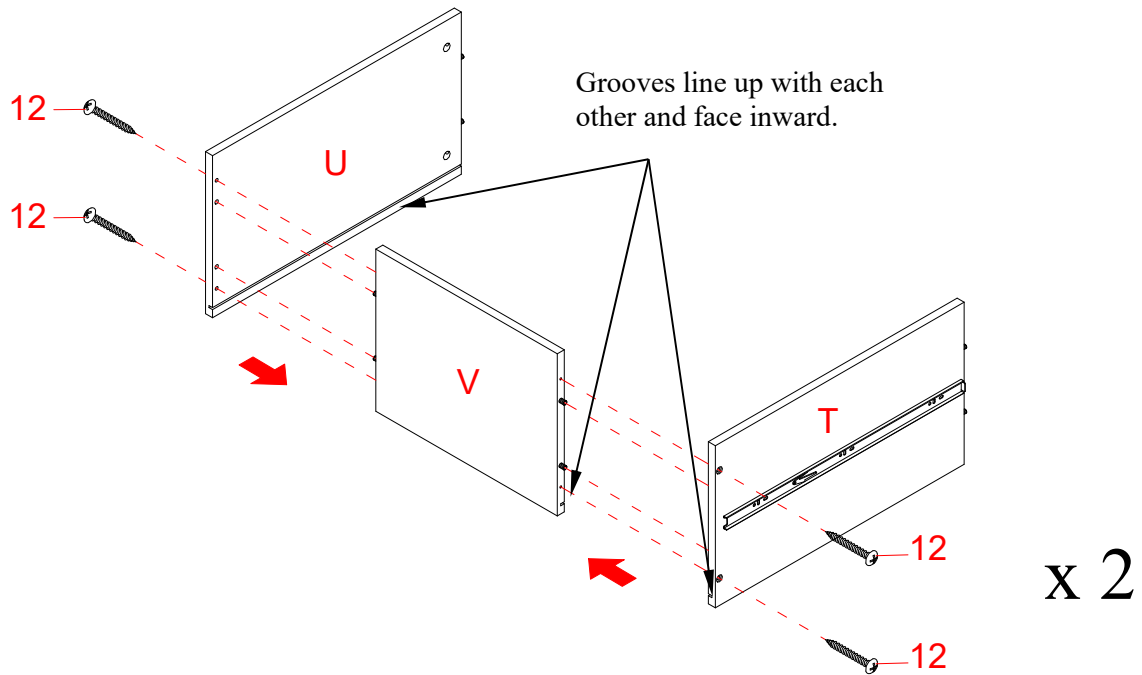
9. Turn the previous assembly upright and install one Handle (Z) to the front of each Utility Drawer Front Panel (N) with two 30 mm Handle Bolts (13).



10. Glue sixteen Small Wood Dowels (5) into the inner holes on the File Drawer Side Panels (T and U) and Back Panels (V) as shown.

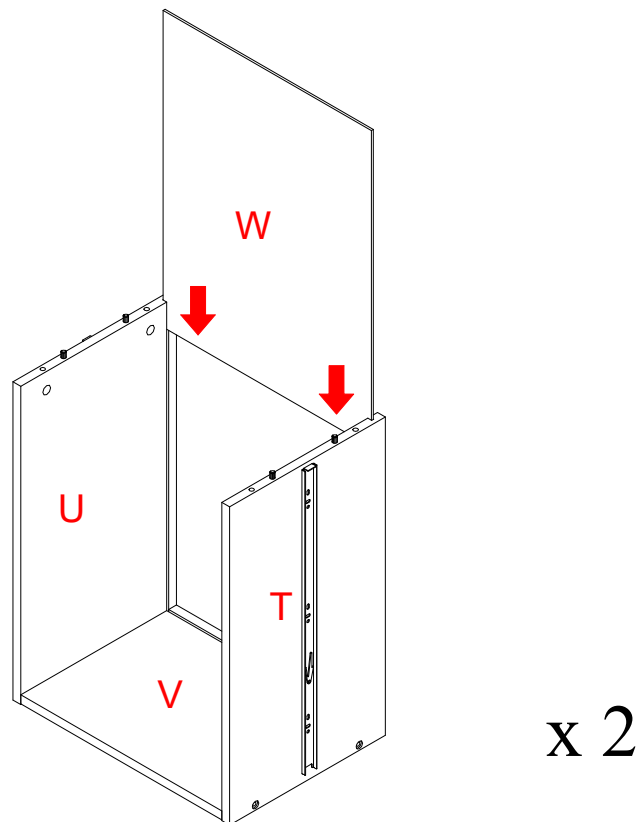
NOTE: It is very important to use a small amount of glue on both ends of dowels and wipe away the excess glue immediately with a damp cloth.

File Drawer Assembling



11. Orient and attach one File Drawer Back Panel (V) between the File Drawer Side Panels (T and U) with four 38 mm Screws (12).

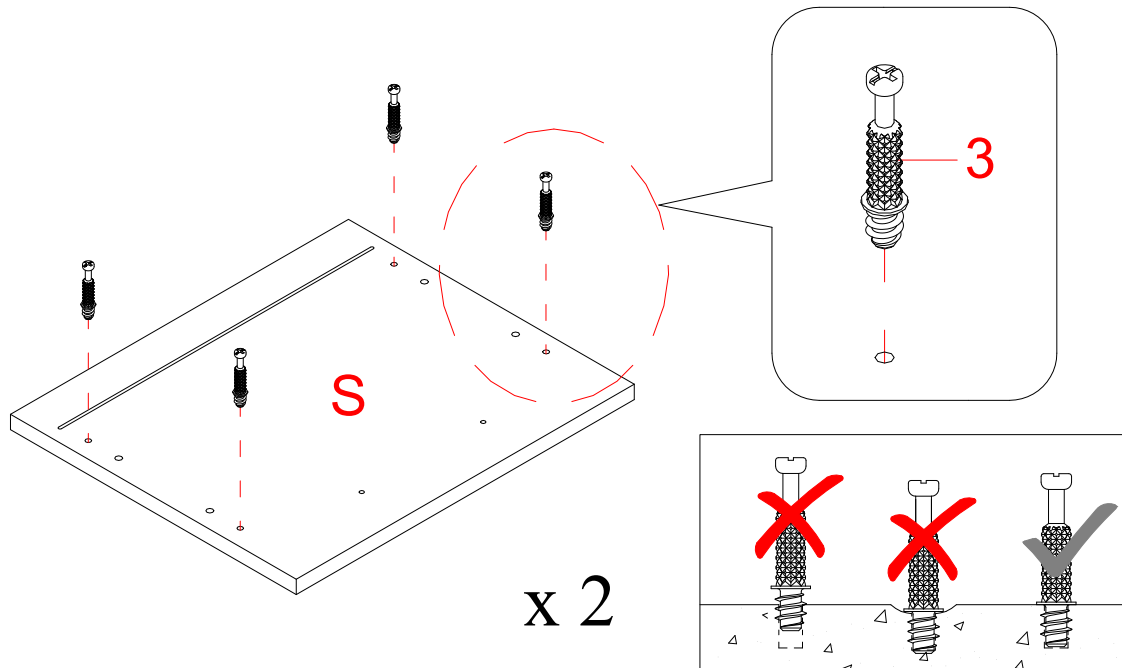
12. Repeat this step to assemble an additional drawer assembly.



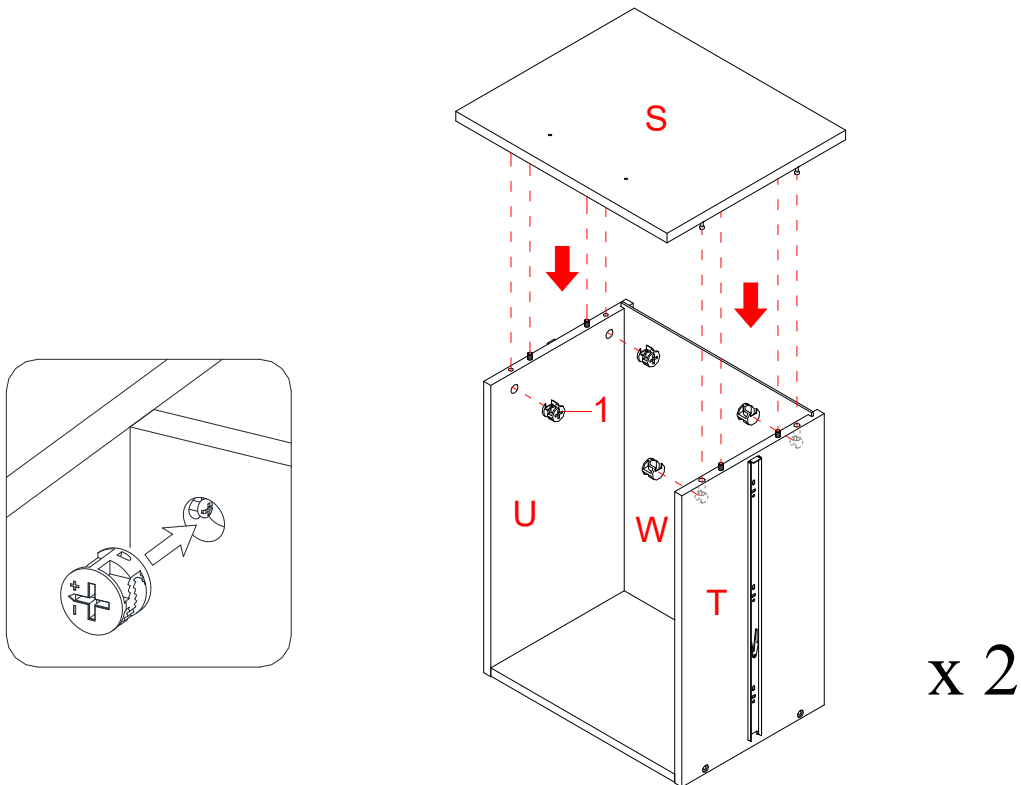
13. Slide one File Drawer Bottom Panel (W) into the grooves on the File Drawer Side Panels (T and U) until fully inserted into the File Drawer Back Panel (V).

14. Repeat this step to assemble an additional drawer assembly.

File Drawer Assembling



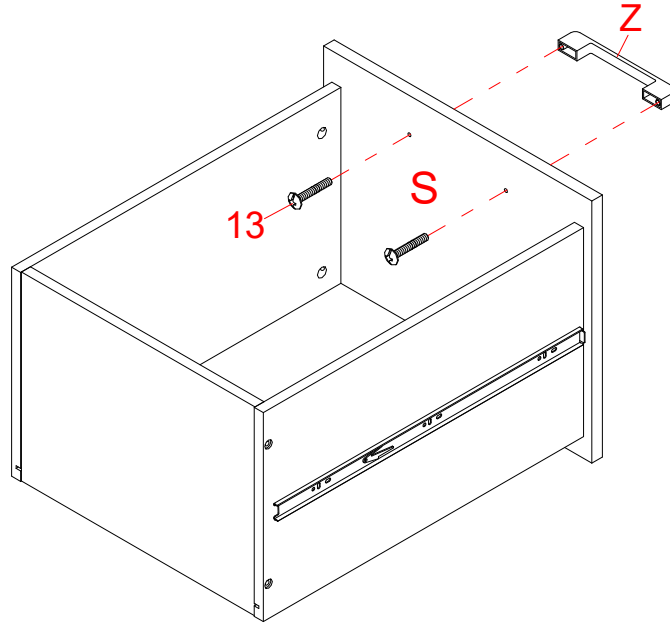
15. Securely screw eight Self Tapping Cam Bolts (3) into the designated small holes on the File Drawer Front Panels (S) using a Phillips screwdriver.



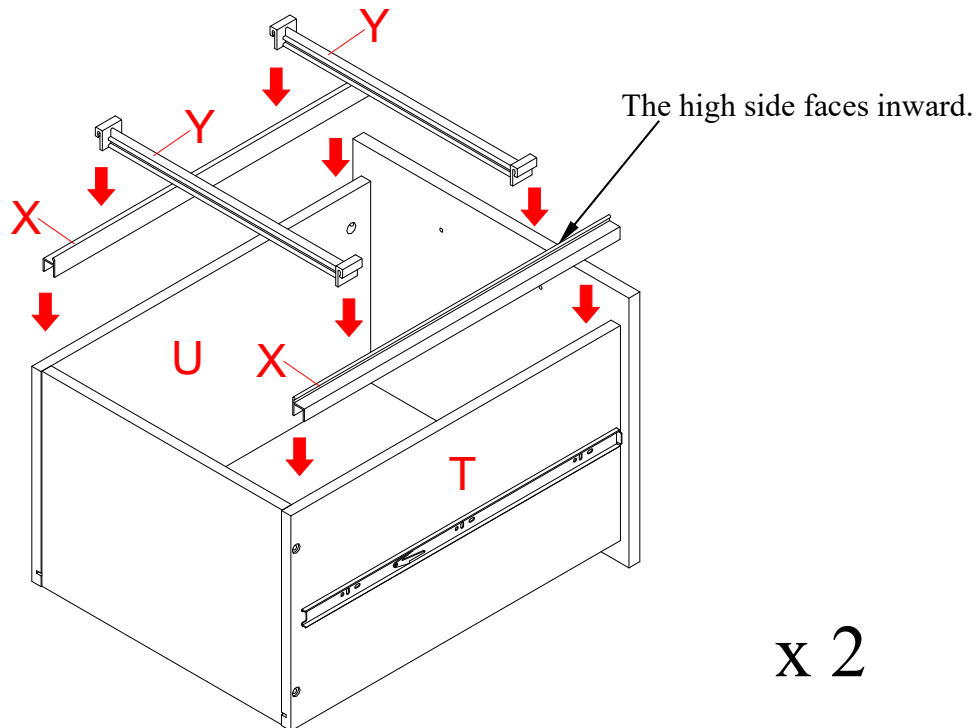
16. Position one File Drawer Front Panel (S) onto the inserted Small Wood Dowels (5) on the File Drawer Side Panels (T and U) and fasten it in place by engaging four Small Cam Locks (1). Make sure that the File Drawer Bottom Panel (W) fits securely into the groove of the File Drawer Front Panel (S).

17. Repeat this step to assemble an additional drawer assembly.

File Drawer Assembling

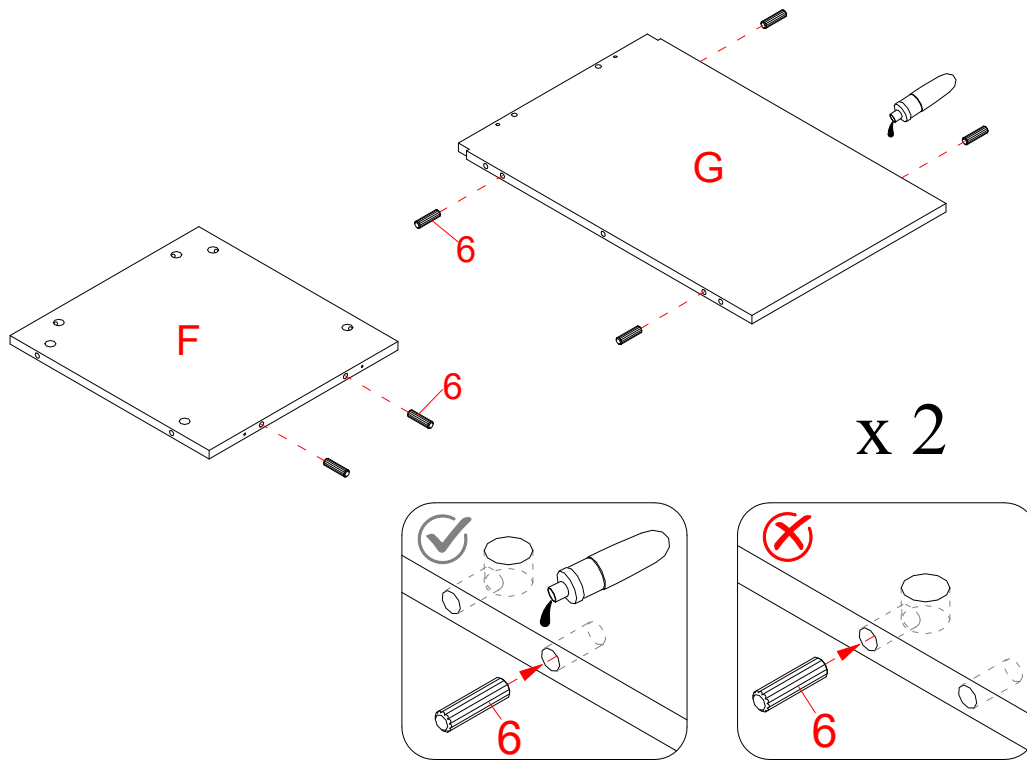


18. Turn the assembled file drawers upright and install one Handle (Z) to the front of each File Drawer Front Panel (S) with two 30 mm Handle Bolts (13).

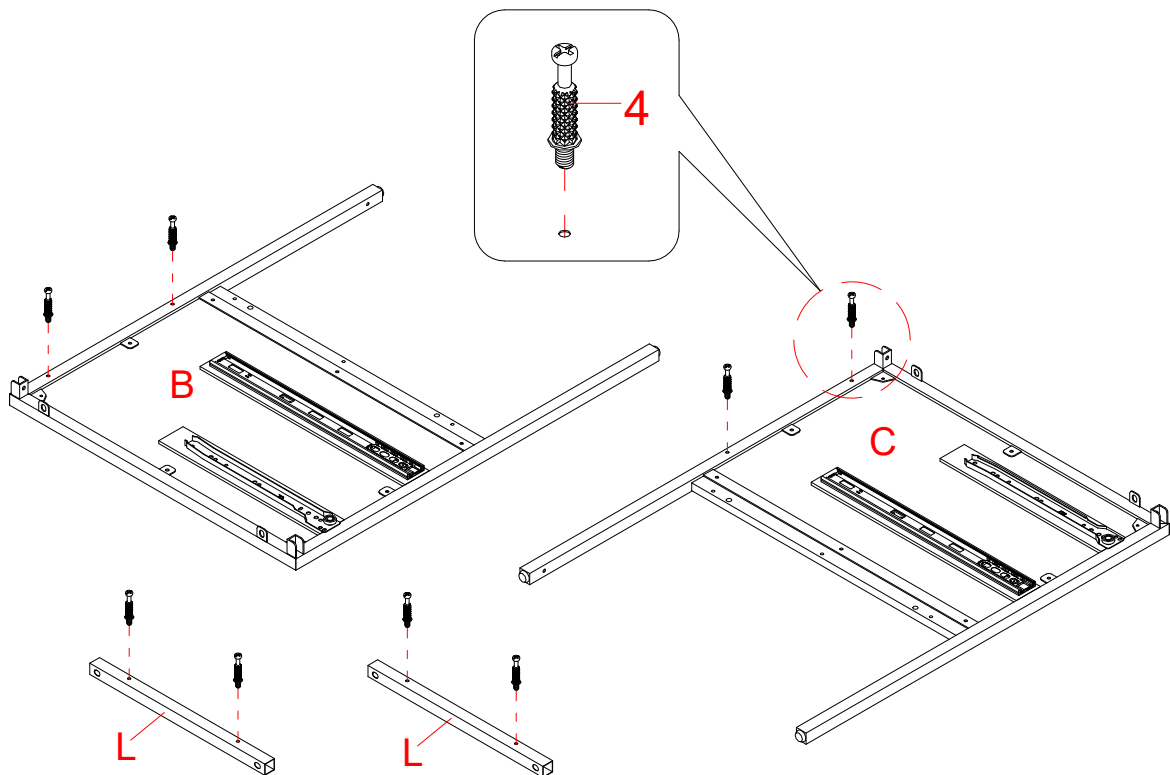


19. Position two Guide Rails (X) onto both File Drawer Side Panels (T and U) with the higher side facing inward.
20. Set two File Hangers (Y) onto the Guide Rails (X) installed on the file drawer kit. Slide the file hangers forward and backward to keep hanging files organized.
21. Repeat the same procedure for the other File Drawer.

Assembly Instructions

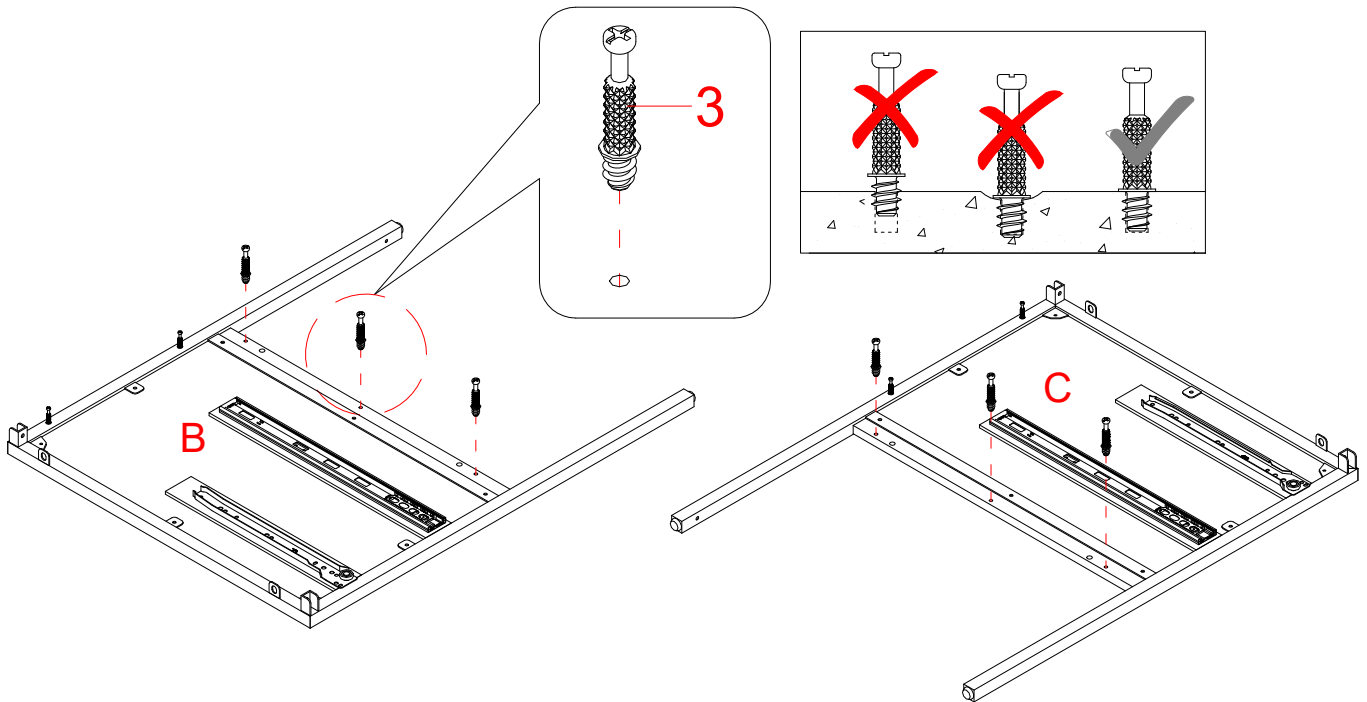


22. Glue twelve Large Wood Dowels (6) into the inner holes on the Cabinet Back Panels (F) and Cabinet Bottom Panels (G).

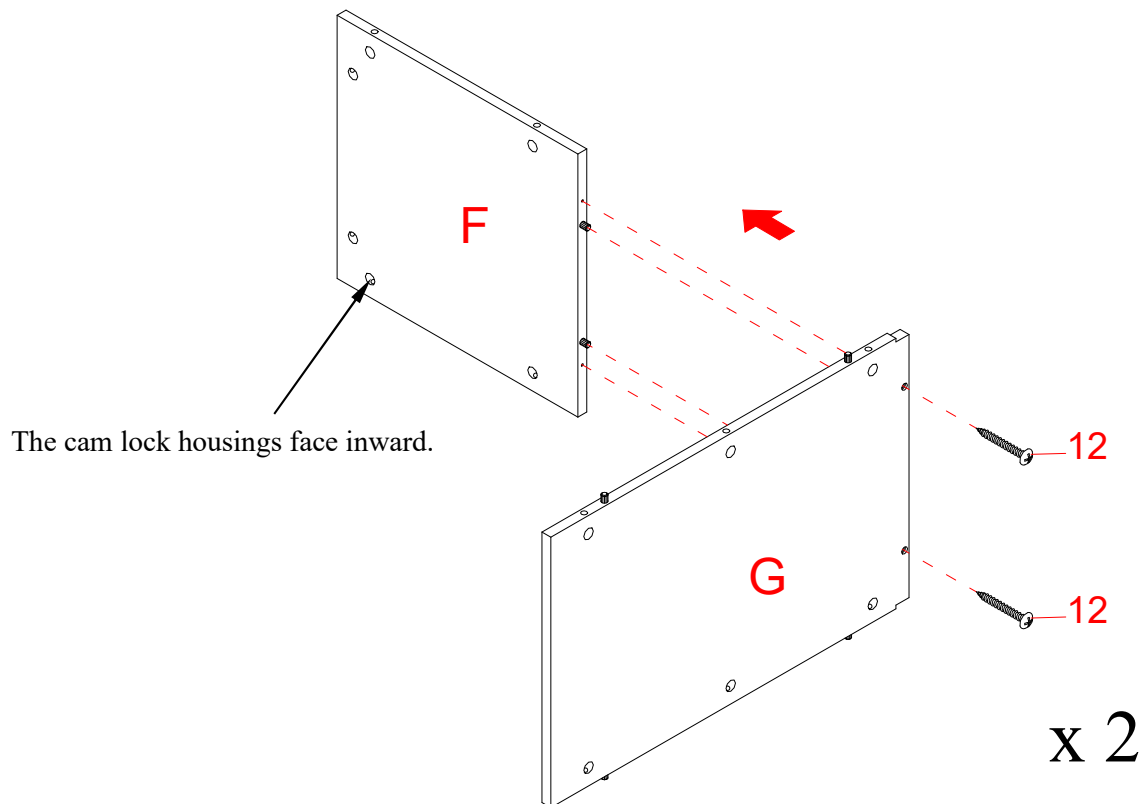


23. Securely screw eight Cam Bolts (4) into the designated threaded holes on the back post of Left Cabinet Side Frames (B and C) and Cabinet Back Stretchers (L). Tighten the cam bolts with a Phillips screwdriver. **DO NOT** over tighten the cam bolts.

Assembly Instructions

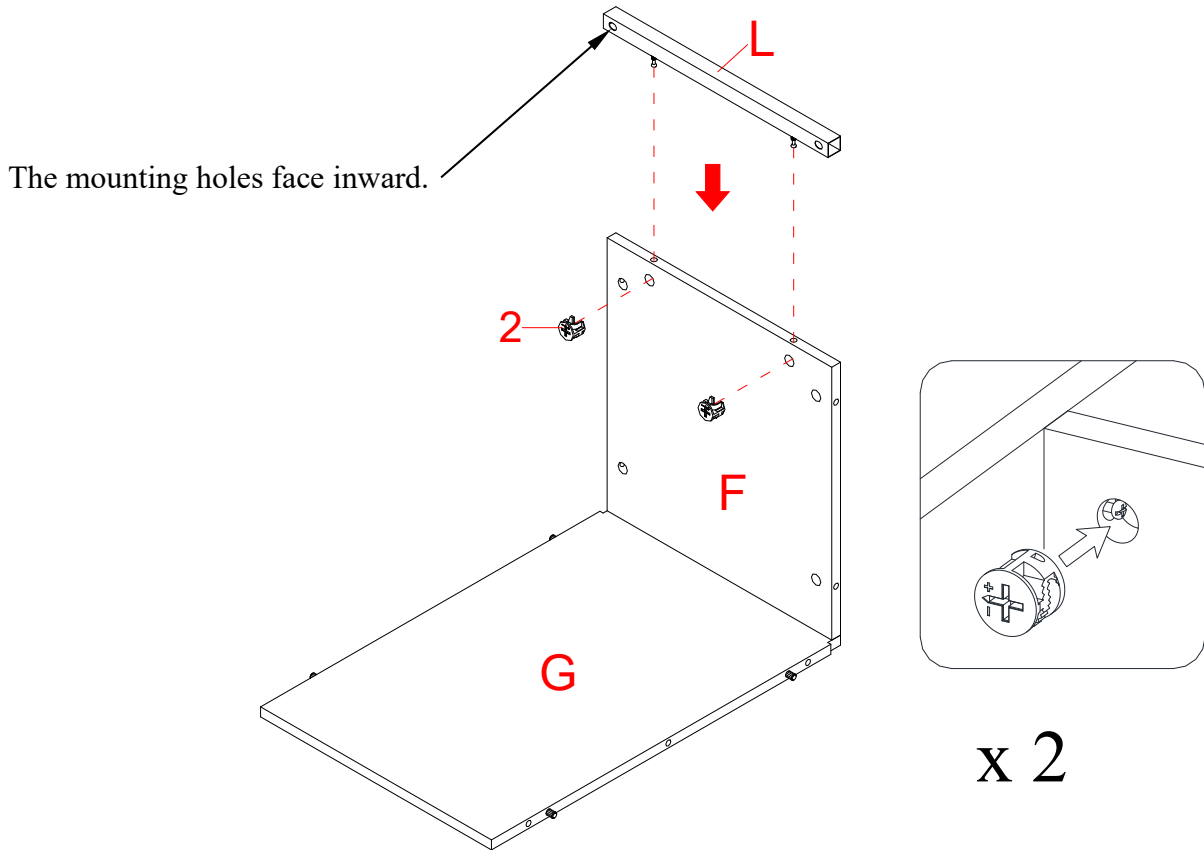


24. Securely screw six Self Tapping Cam Bolts (3) into the designated small holes on both Left Cabinet Side Frames (B and C) using a Phillips screwdriver.

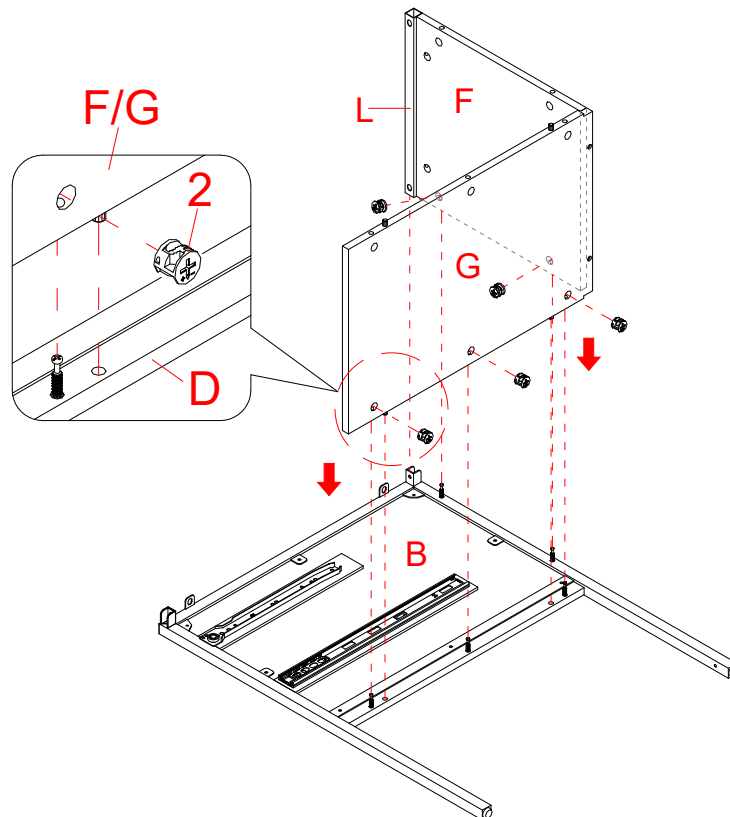


25. Orient and attach one Cabinet Back Panel (F) to one Cabinet Bottom Panel (G) with two 38 mm Screws (12).
26. Repeat the same process to combine the other Cabinet Back Panel (F) and Cabinet Bottom Panel (G).

Assembly Instructions

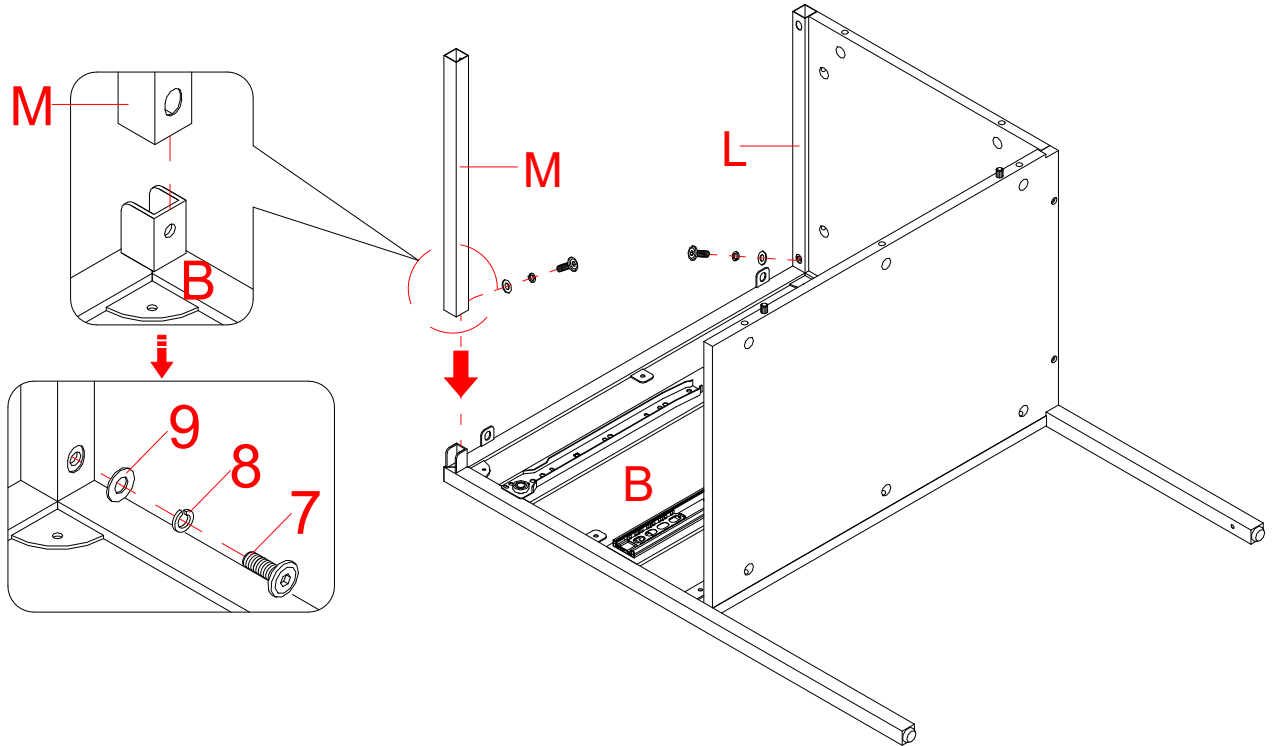


27. Orient and attach the Cabinet Back Stretchers (L) to the Cabinet Back Panels (F) respectively by engaging four Large Cam Locks (2).

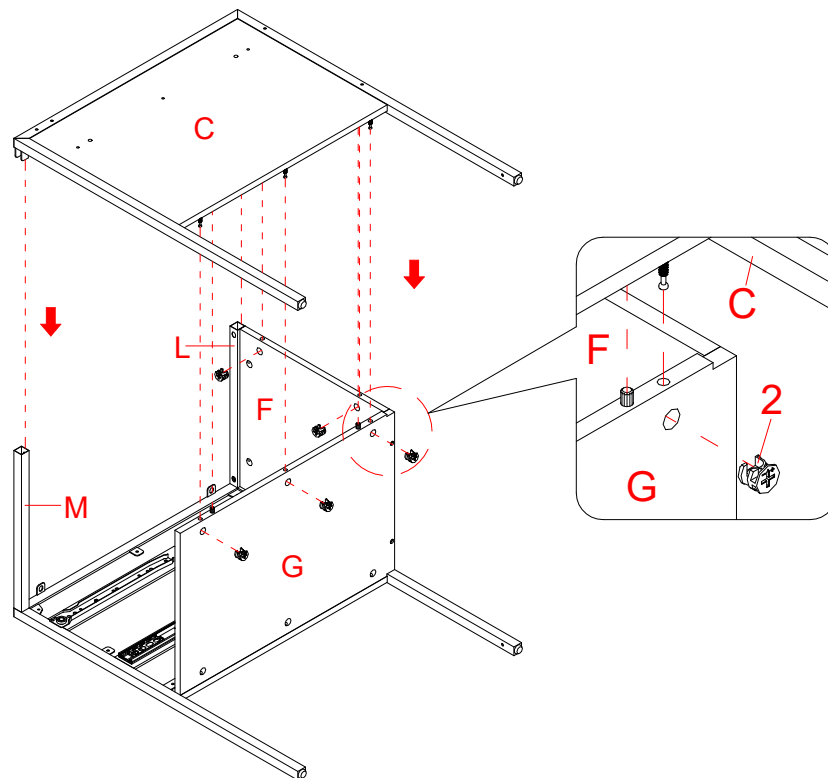


28. Align and attach one previous assembly to the Left Cabinet Left Frame (B) by engaging five Large Cam Locks (2). Make sure that the Cabinet Back Stretcher (L) fits onto the U-shaped bracket properly.

Assembly Instructions

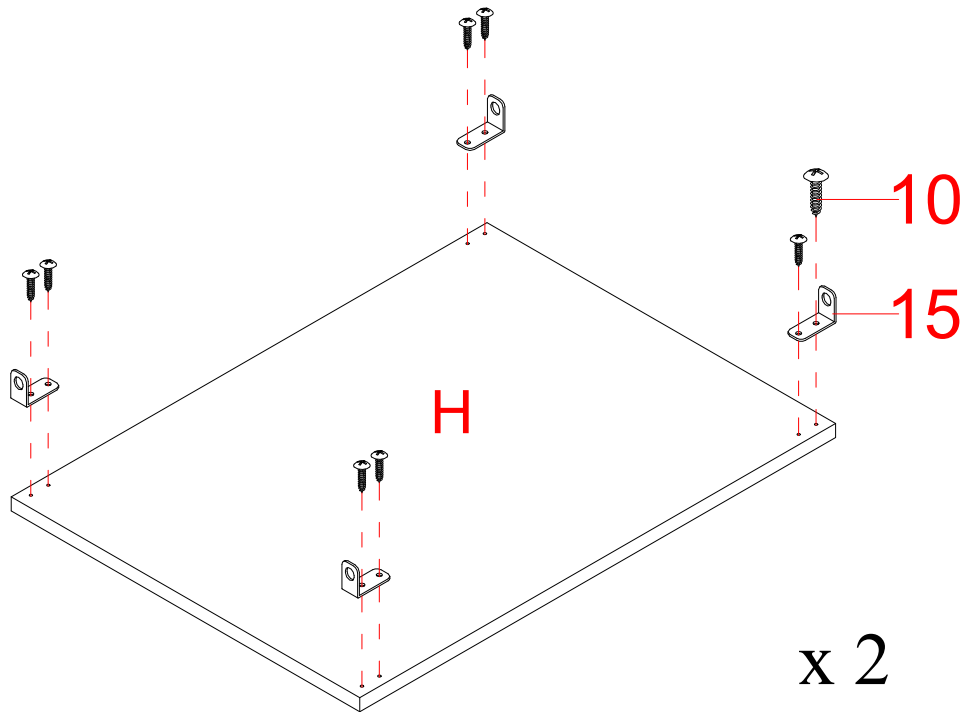


29. Fasten the assembled Cabinet Back Stretcher (L) to the Left Cabinet Left Frame (B) using one M6 x 15 mm Bolt (7), one Lock Washer (8) and one Flat Washer (9).
30. Fit one Cabinet Front Stretcher (M) onto the U-shaped bracket properly and fasten it in place with one M6 x 15 mm Bolt (7), one Lock Washer (8) and one Flat Washer (9). Tighten the bolt with the Hex Wrench provided.

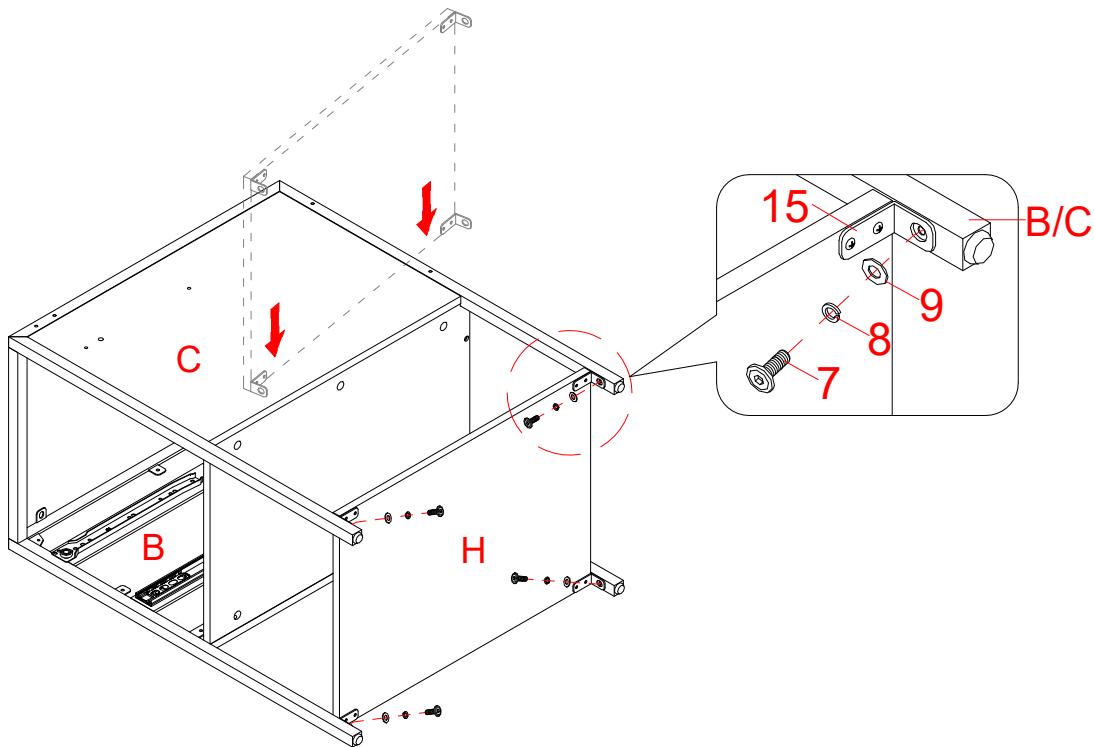


31. Align and attach the Left Cabinet Right Frame (C) to the assembled Cabinet Back Panel (F) and Cabinet Bottom Panel (G) by engaging and tightening five Large Cam Locks (2).

Assembly Instructions

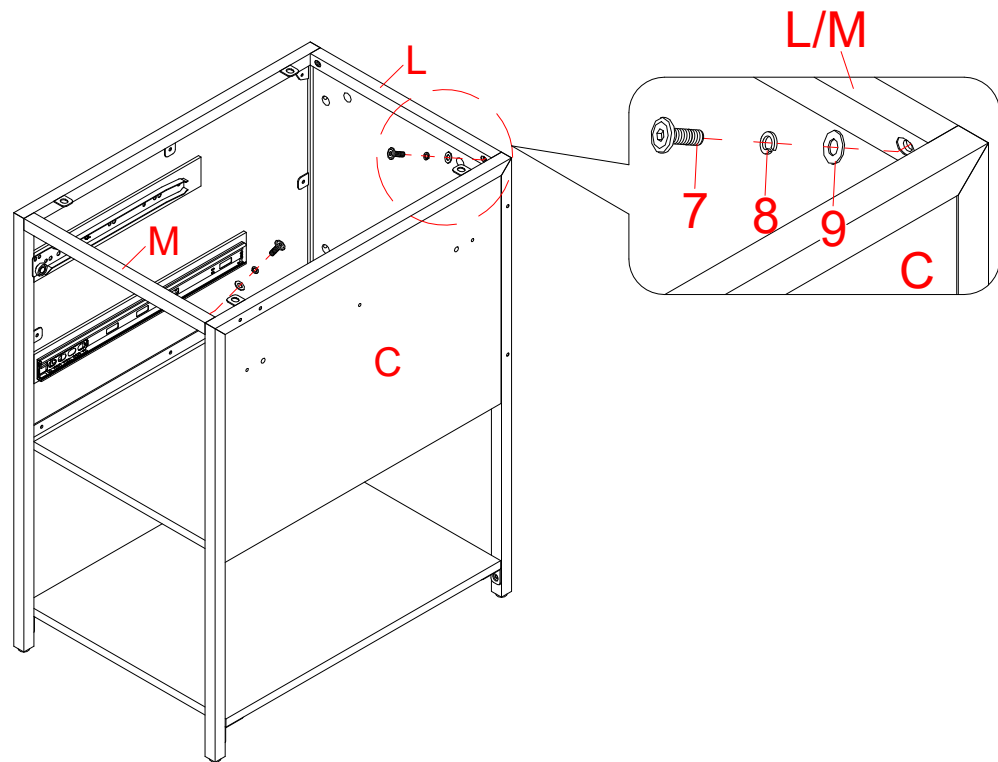


32. Using the pilot holes as a guide, install four Metal Brackets (15) to the corners of each Cabinet Bottom Shelf (H) using eight 12 mm Screws (10). Make sure that the right-angle sides are flush with the short edges of the Cabinet Bottom Shelf.



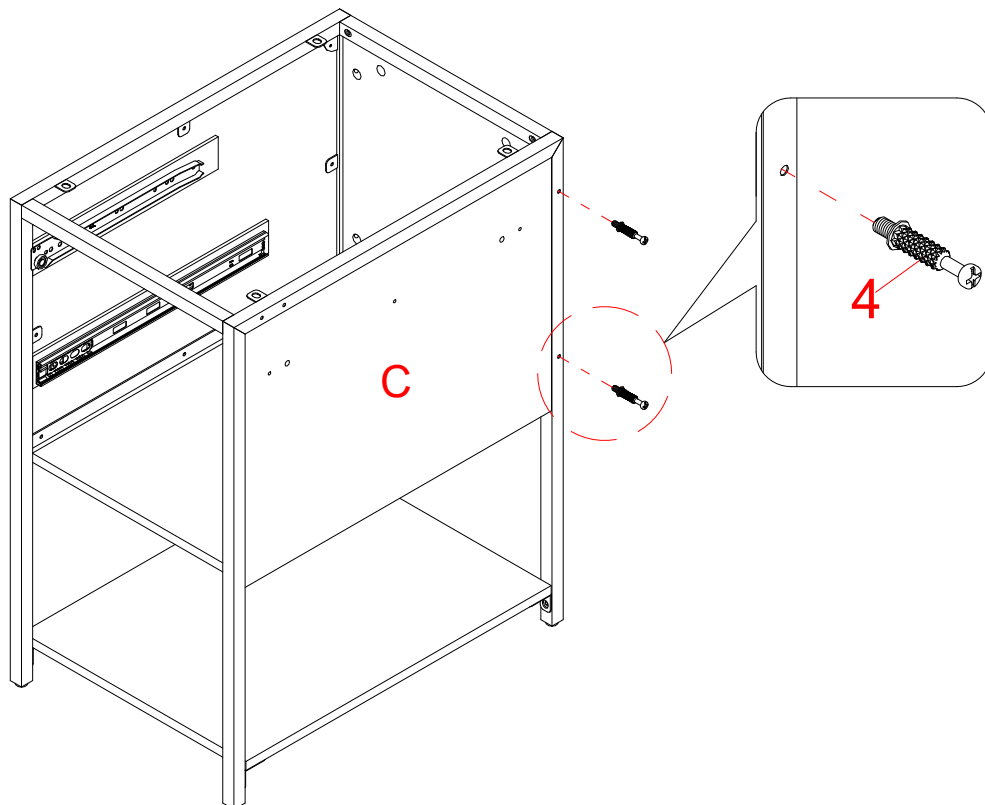
33. Tilt and fit one Cabinet Bottom Shelf (H) between the posts of the Left Cabinet Side Frames (B and C). Make sure that the center of mounting holes of the Metal Brackets (15) overlap the bottom threaded sockets properly.
34. Fasten the Cabinet Bottom Shelf (H) into place with four M6 x 15 mm Bolts (7), four Lock Washers (8) and four Flat Washers (9).

Assembly Instructions



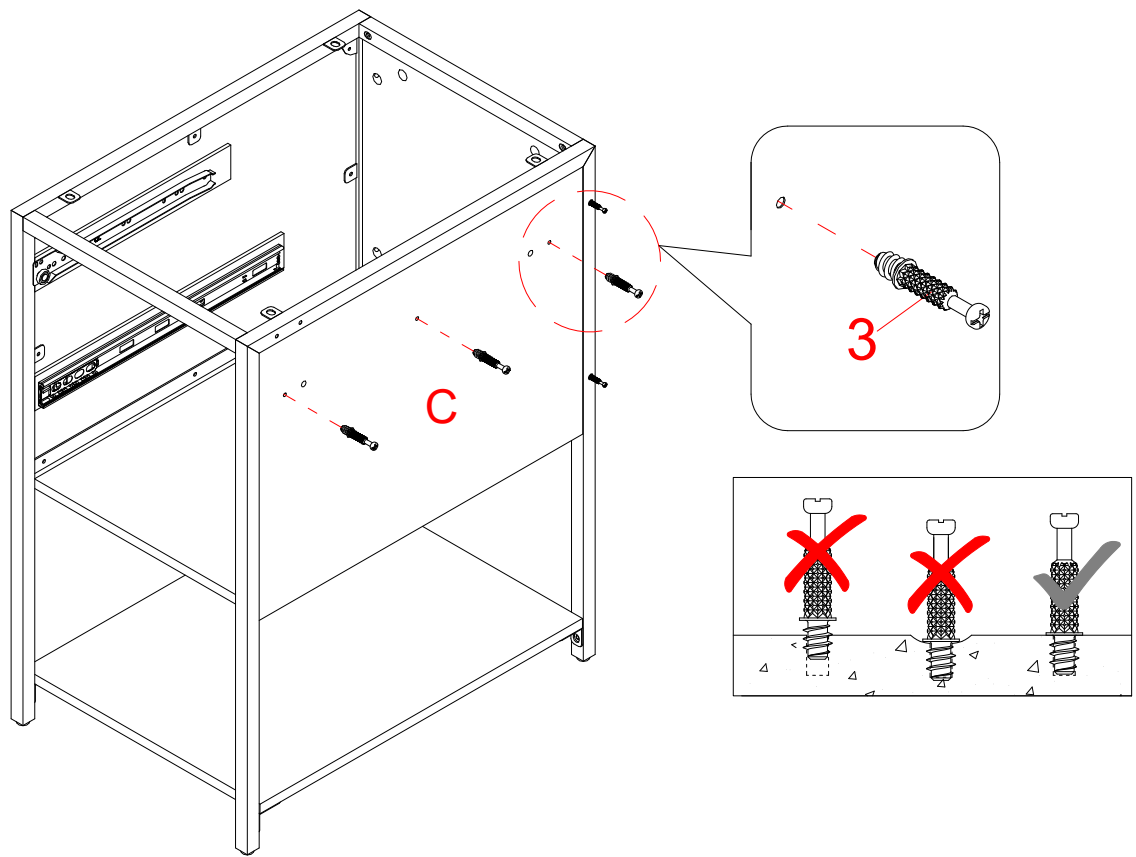
35. Lift the previous assembly upright and position it near the final location.

36. Fasten the Cabinet Stretchers (L and M) to U-shaped brackets on the Left Cabinet Right Frame (C) using two M6 x 15 mm Bolts (7), two Lock Washers (8) and two Flat Washers (9).

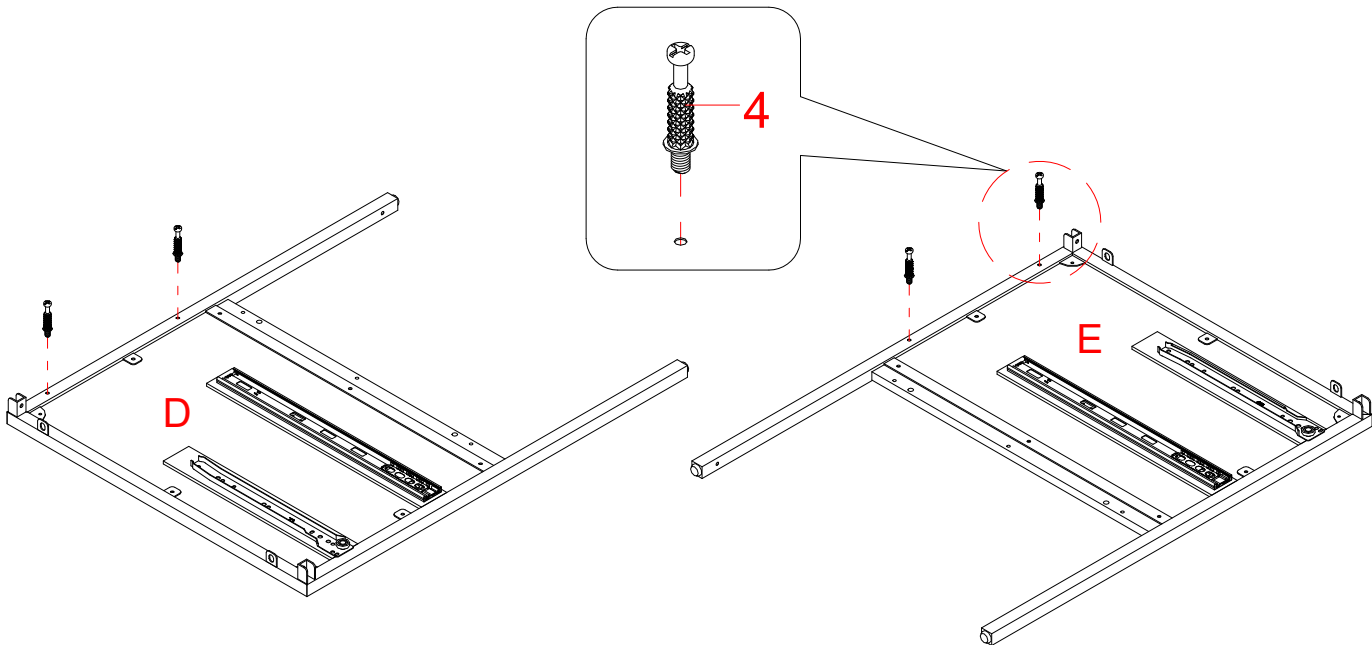


37. Securely screw two Cam Bolts (4) into the designated threaded holes on the Left Cabinet Right Frame (C) using a Phillips screwdriver.

Assembly Instructions

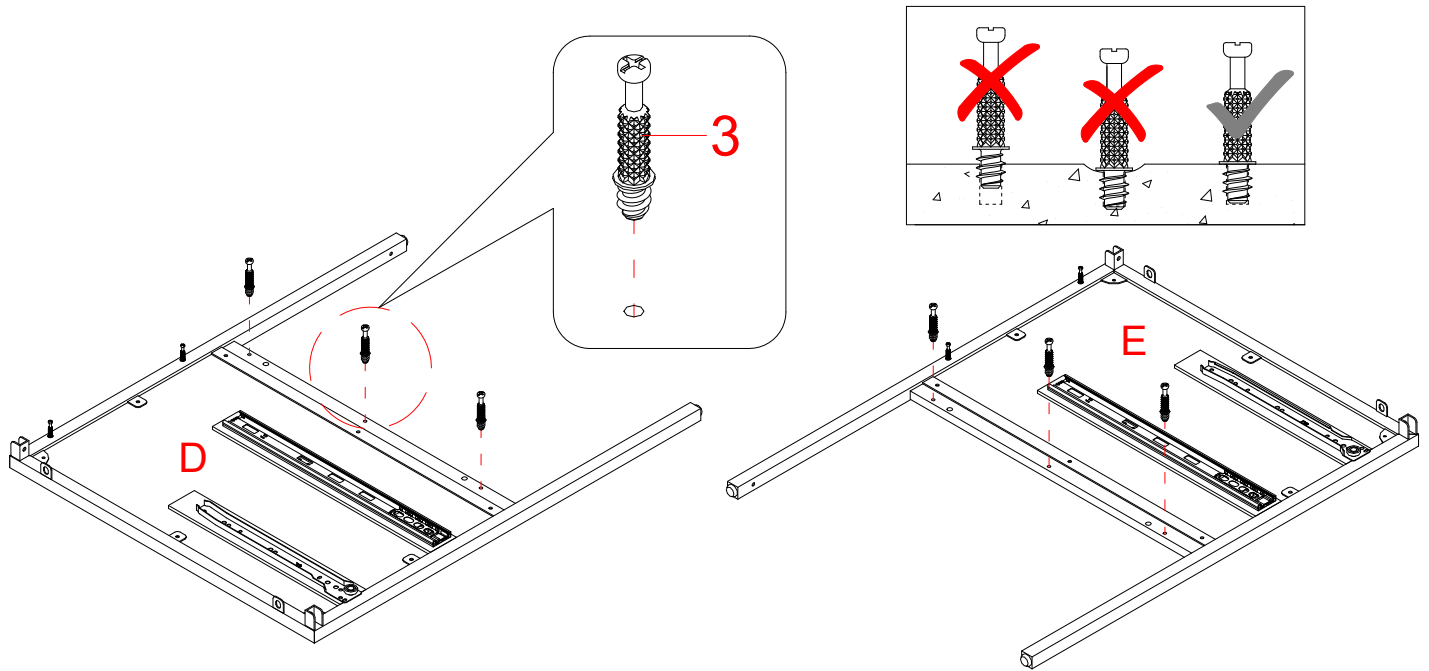


38. Securely screw three Self Tapping Cam Bolts (3) into the designated small holes on the Left Cabinet Right Frame (C) using a Phillips screwdriver.

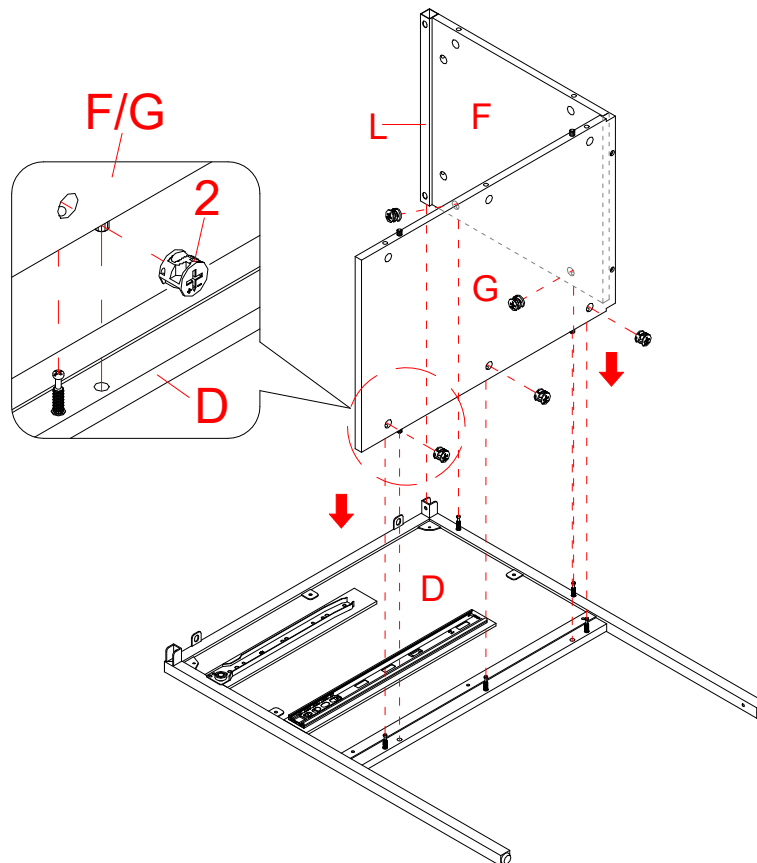


39. Securely screw four Cam Bolts (4) into the threaded holes on the back posts of both Right Cabinet Side Frames (D and E). Tighten the cam bolts with a Phillips screwdriver. DO NOT over tighten the cam bolts.

Assembly Instructions

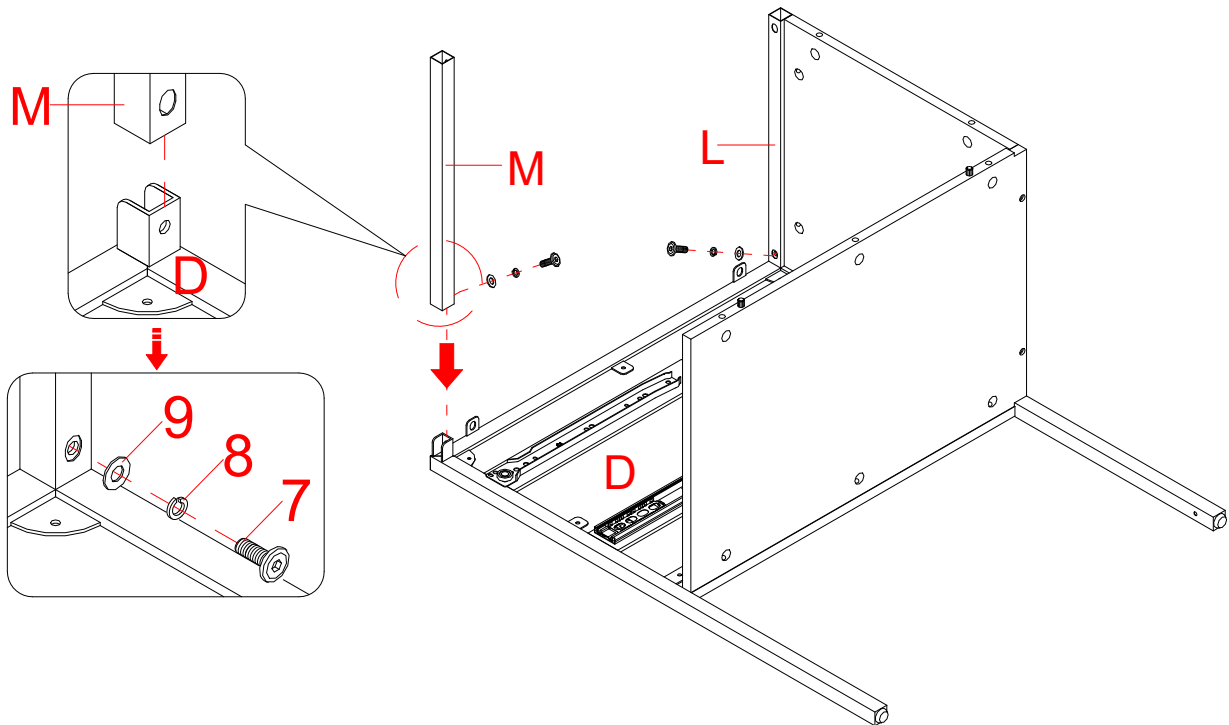


40. Securely screw six Self Tapping Cam Bolts (4) into the designated small holes on the Right Cabinet Side Frames (D and E) using a Phillips screwdriver.

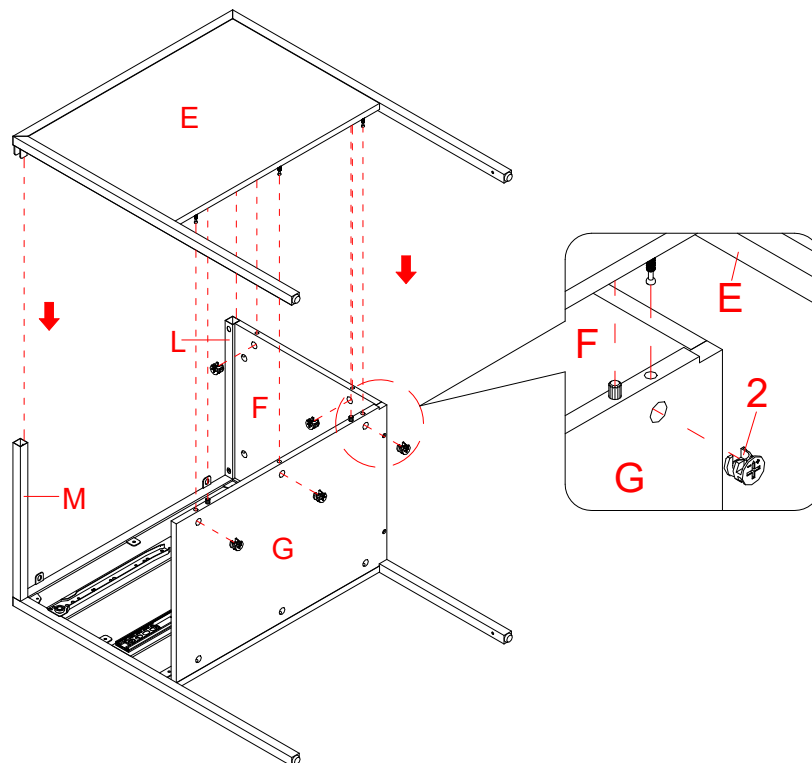


41. Align and attach the assembled Cabinet Back Panel (F) and Cabinet Bottom Panel (G) to the Right Cabinet Left Frame (D) by engaging five Large Cam Locks (2). Make sure that the Cabinet Back Stretcher (L) fits onto the U-shaped bracket properly.

Assembly Instructions

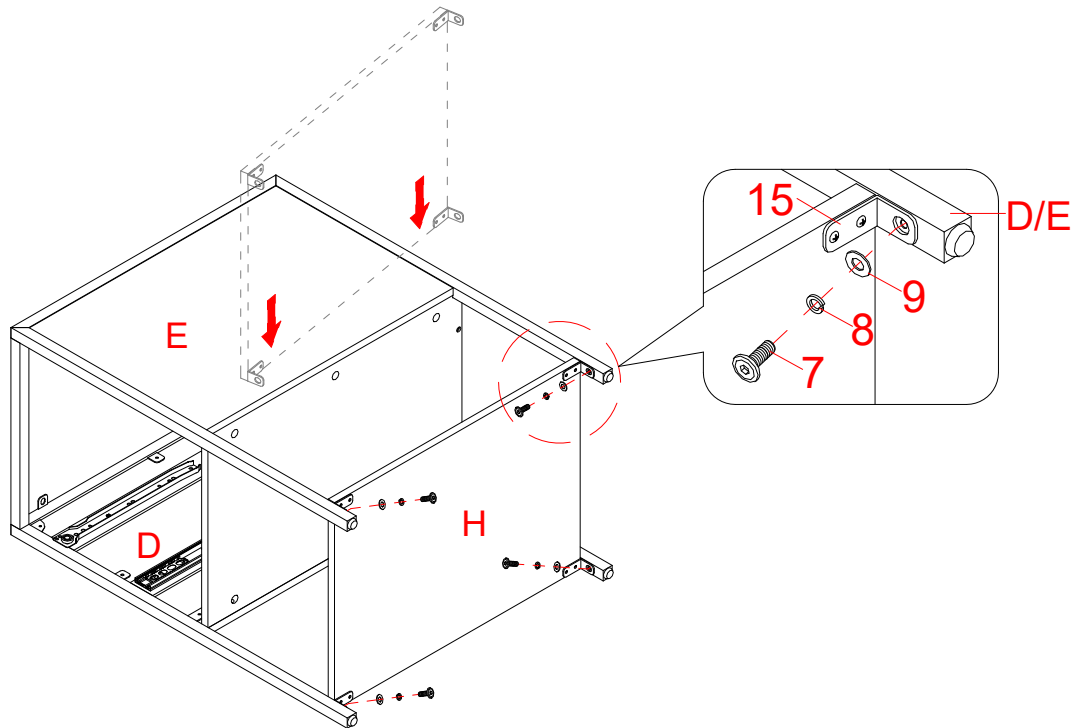


42. Fasten the assembled Cabinet Back Stretcher (L) to the Right Cabinet Left Frame (D) using one M6 x 15 mm Bolt (7), one Lock Washer (8) and one Flat Washer (9).
43. Fit the other Cabinet Front Stretcher (M) onto the front U-shaped bracket on the Right Cabinet Left Frame (D) properly and fasten it in place with one M6 x 15 mm Bolt (7), one Lock Washer (8) and one Flat Washer (9). Tighten the bolt with the provided Hex Wrench.

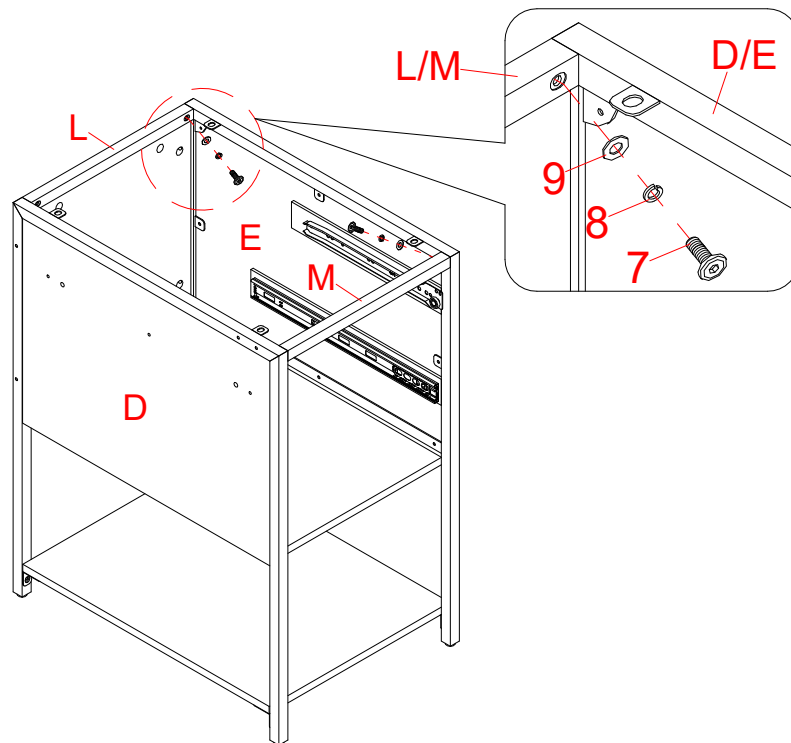


44. Align and attach the Right Cabinet Right Frame (E) to the Cabinet Back Panel (F) and Cabinet Bottom Panel (G) by engaging and tightening five Large Cam Locks (2).

Assembly Instructions

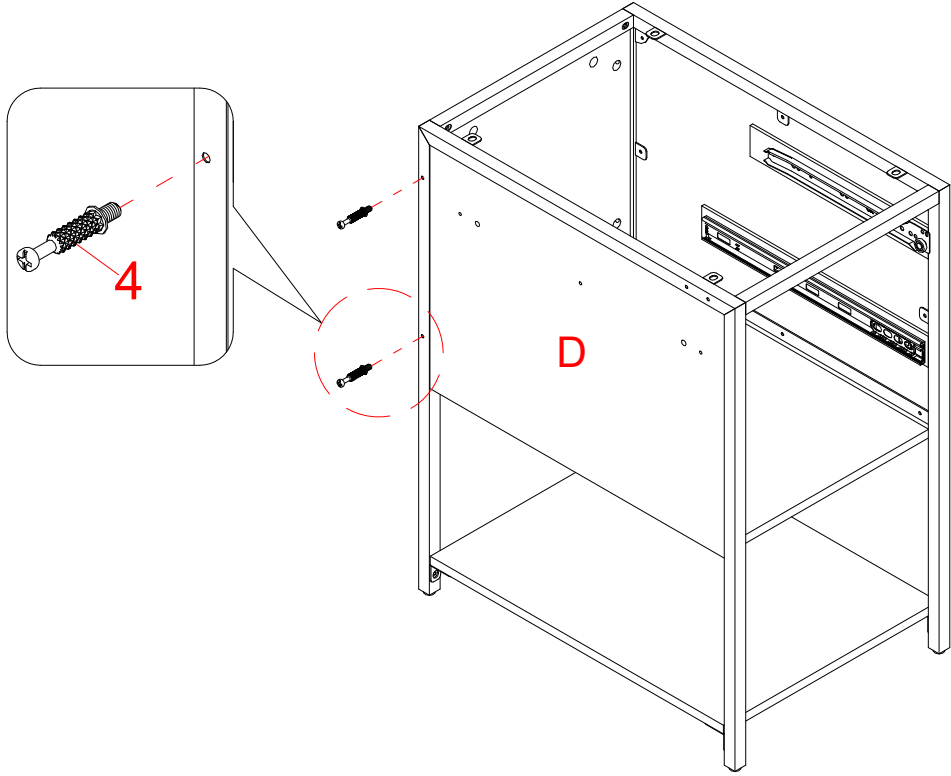


45. Tilt and fit the other Cabinet Bottom Shelf (H) between the posts of the Right Cabinet Side Frames (D and E). Make sure that the center of mounting holes of the Metal Brackets (15) overlap the bottom threaded sockets properly.
46. Fasten the Cabinet Bottom Shelf (H) into place using four M6 x 15 mm Bolts (7), four Lock Washers (8) and four Flat Washers (9).

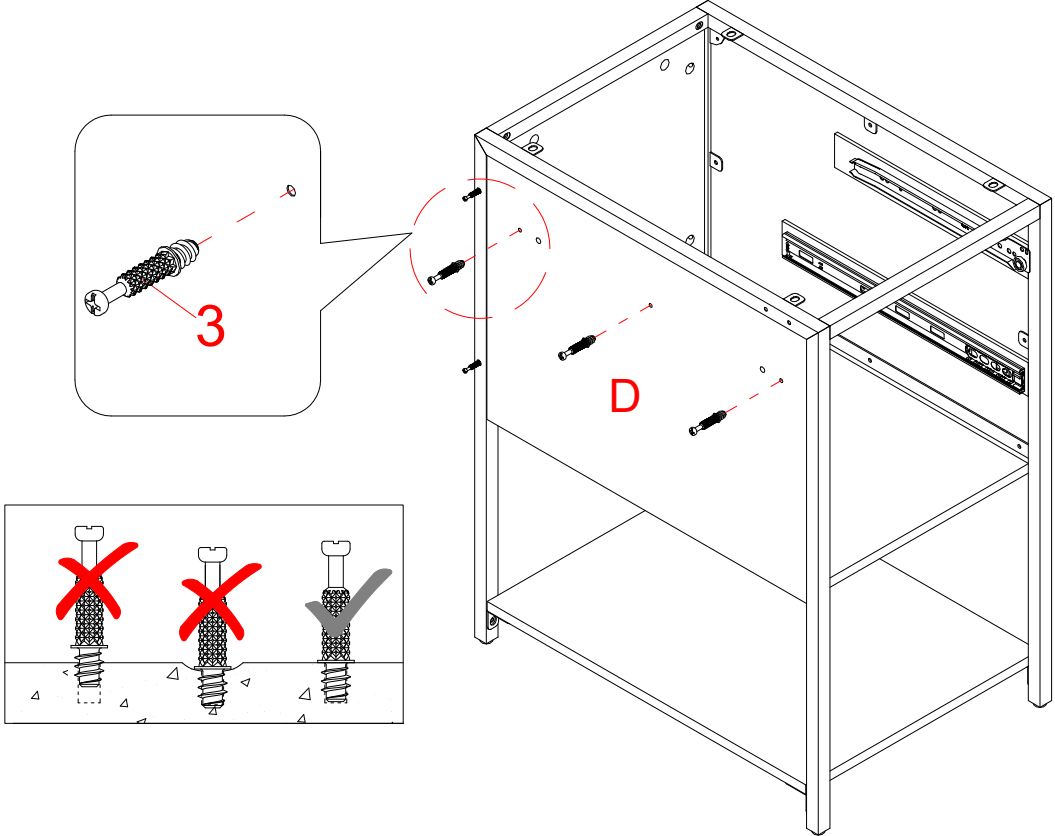


47. Lift the previous assembly upright and position it near the final location.
48. Fasten the Cabinet Stretchers (L and M) to the U-shaped brackets on the Right Cabinet Right Frame (E) using two M6 x 15 mm Bolts (7), two Lock Washers (8) and two Flat Washers (9).

Assembly Instructions

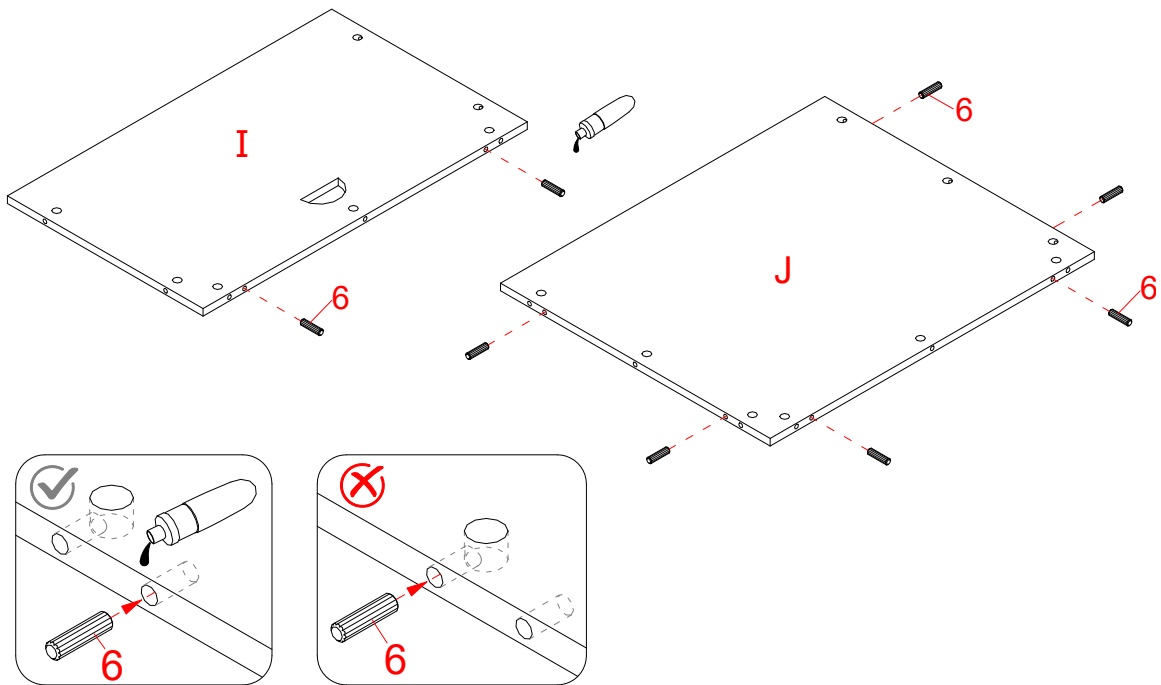


49. Securely screw two Cam Bolts (4) into the designated threaded holes on the Right Cabinet Left Frame (D) using a Phillips screwdriver.

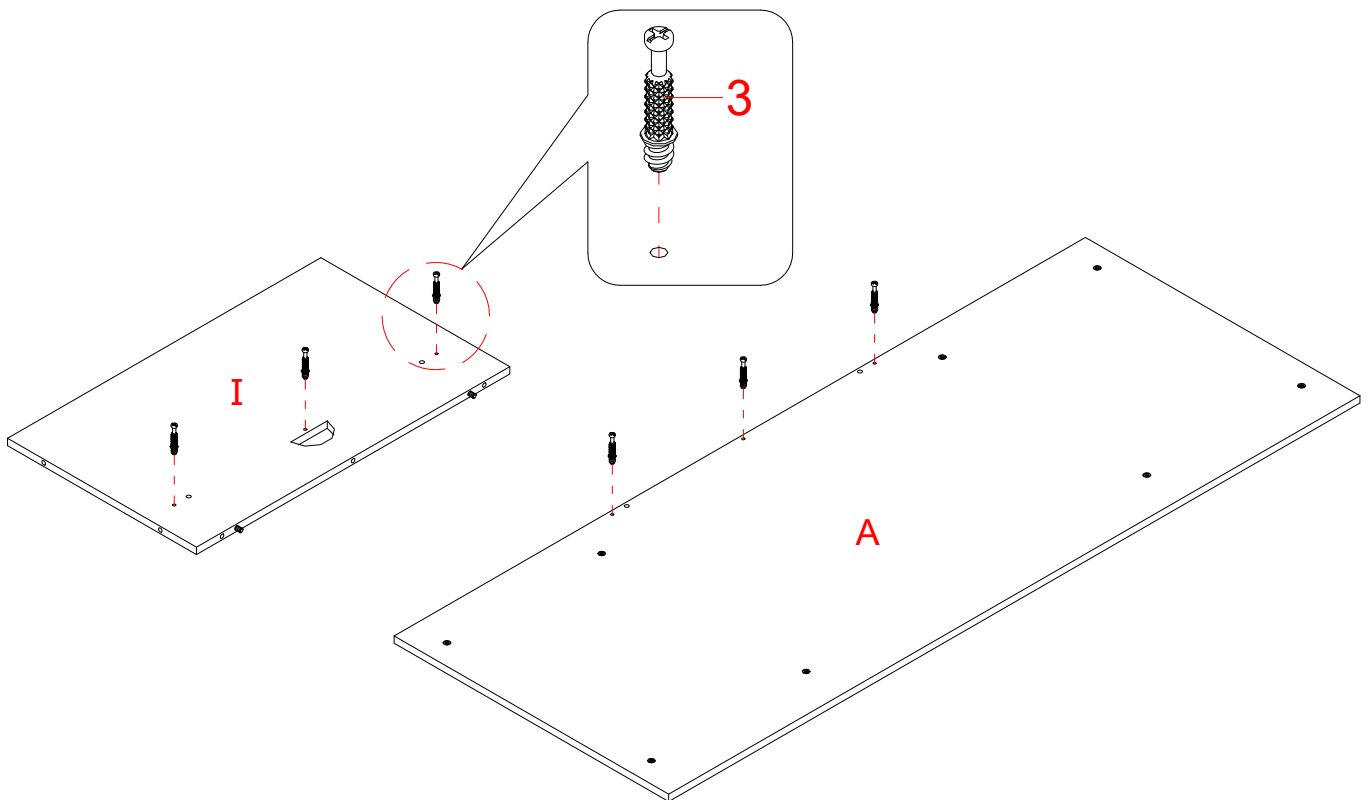


50. Securely screw three Self Tapping Cam Bolts (3) into the designated small holes on the Right Cabinet Left Frame (D) using a Phillips screwdriver.

Assembly Instructions

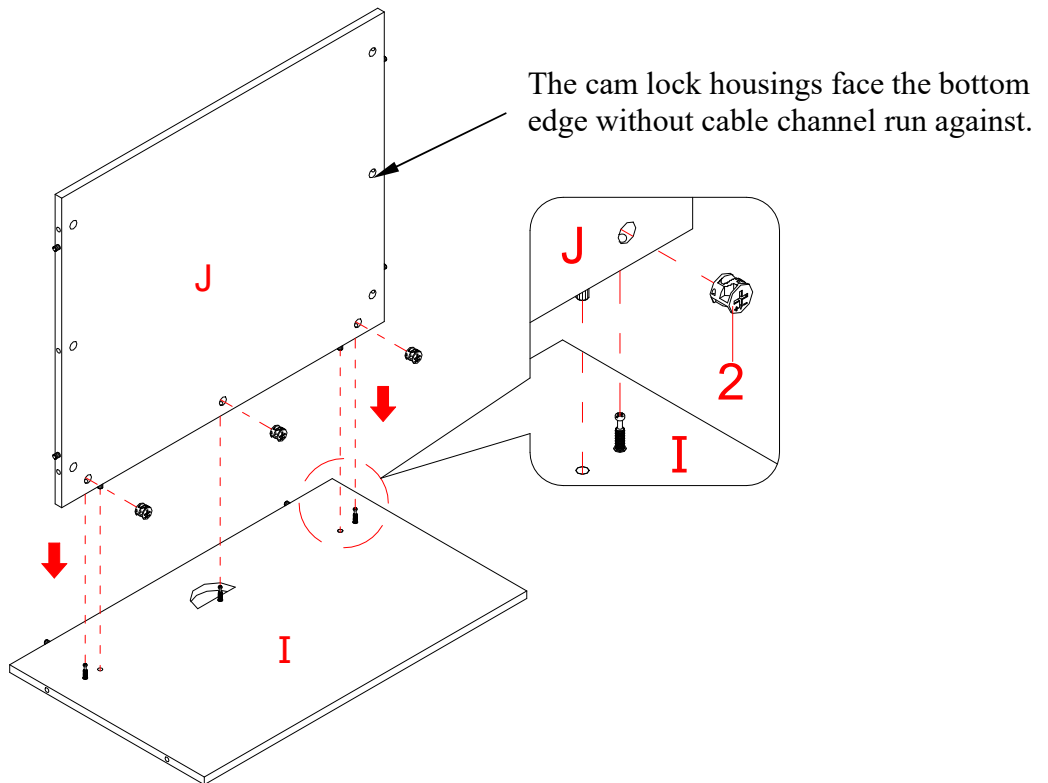


51. Glue eight Large Wood Dowels (6) into the inner holes on the Modesty Panel (I) and Middle Fixed Shelf (J).

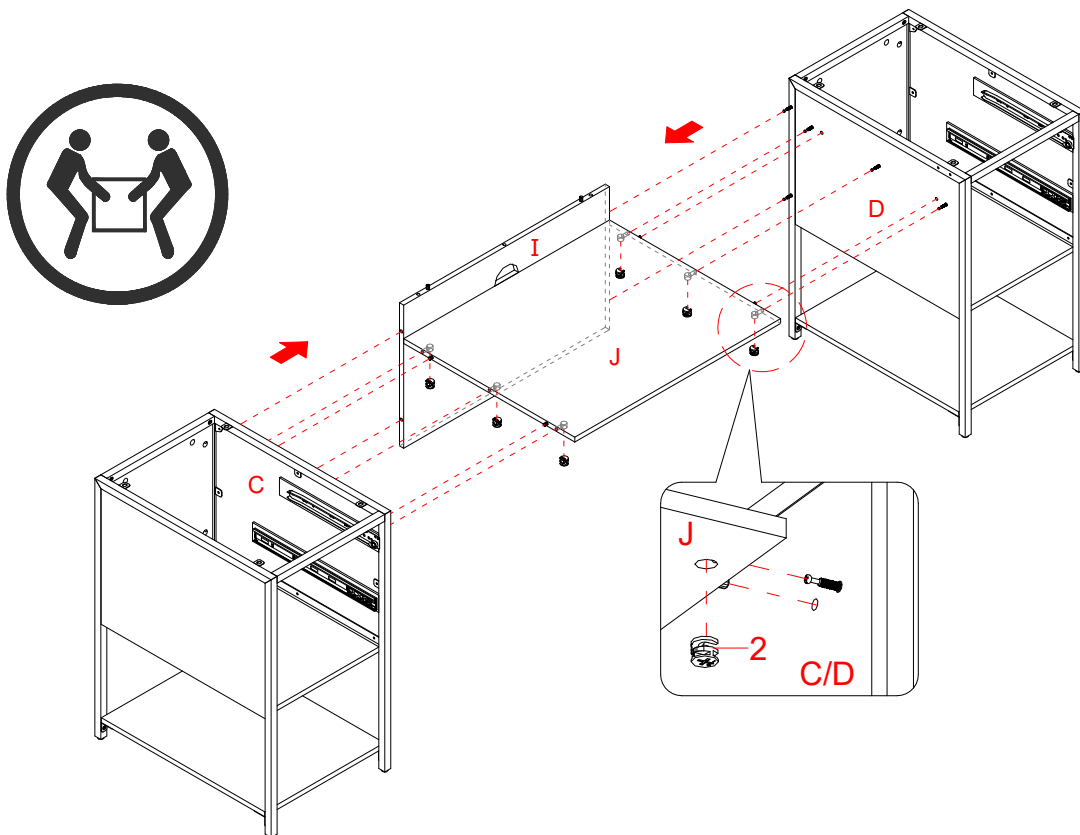


52. Securely screw six Self Tapping Cam Bolts (3) into the designated small holes on the Desk Top (A) and Modesty Panel (I) using a Phillips screwdriver.

Assembly Instructions

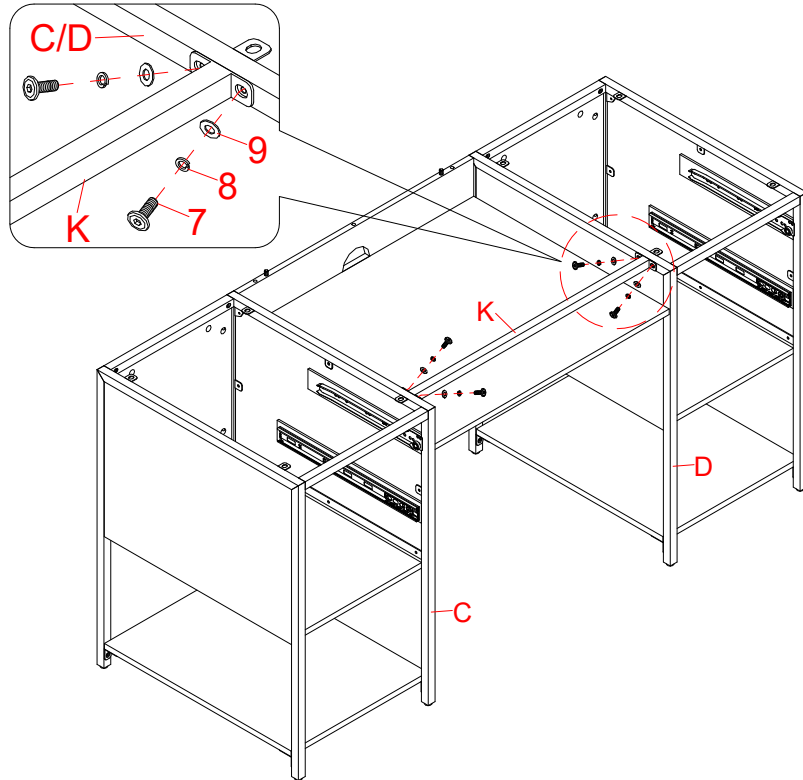


53. Orient and attach the Middle Fixed Shelf (J) to the Modesty Panel (I) by engaging and tightening three Large Cam Locks (2).

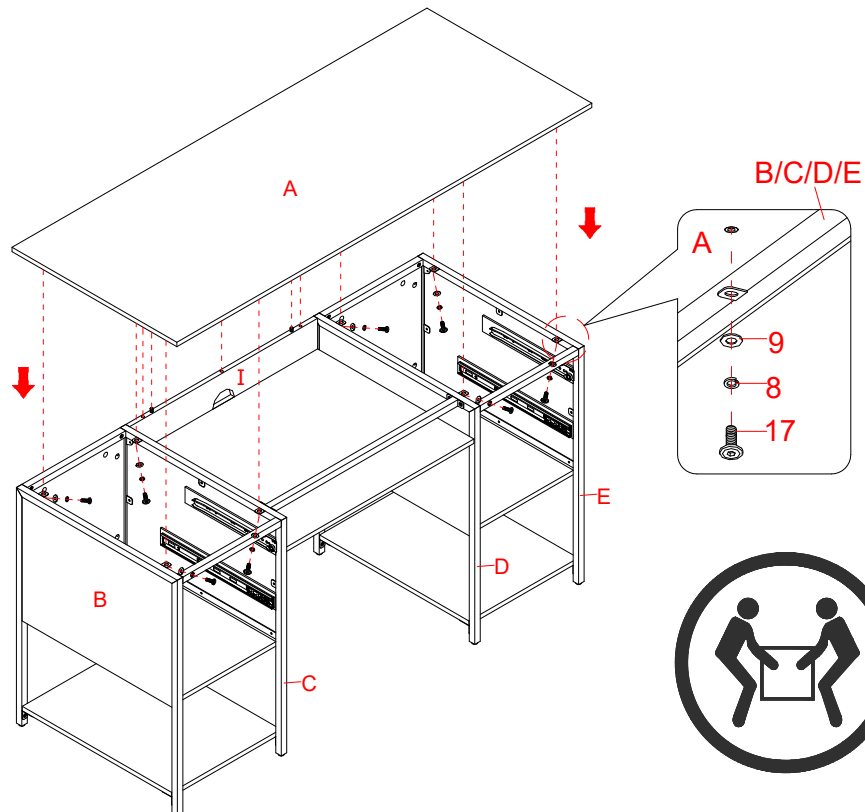


54. Align and attach the assembled Middle Fixed Shelf (J) between the Side Frames (C and D) by engaging and tightening six Large Cam Locks (2). **DO NOT** fully tighten the Cam Locks in this step.

Assembly Instructions

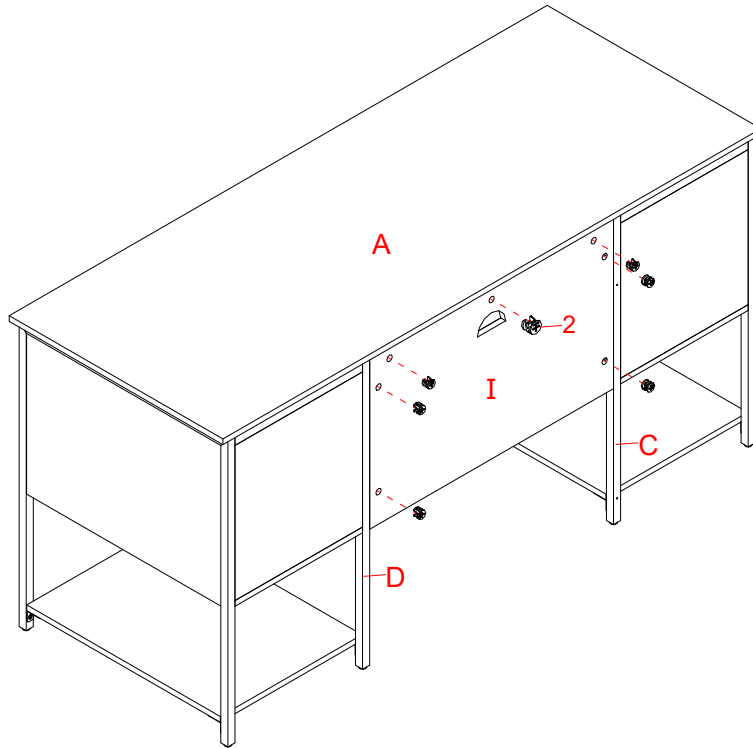


55. Fasten the Middle Stretcher (K) between the Side Frames (C and D) with four M6 x 15 mm Bolts (7), four Lock Washers (8) and four Flat Washers (9).

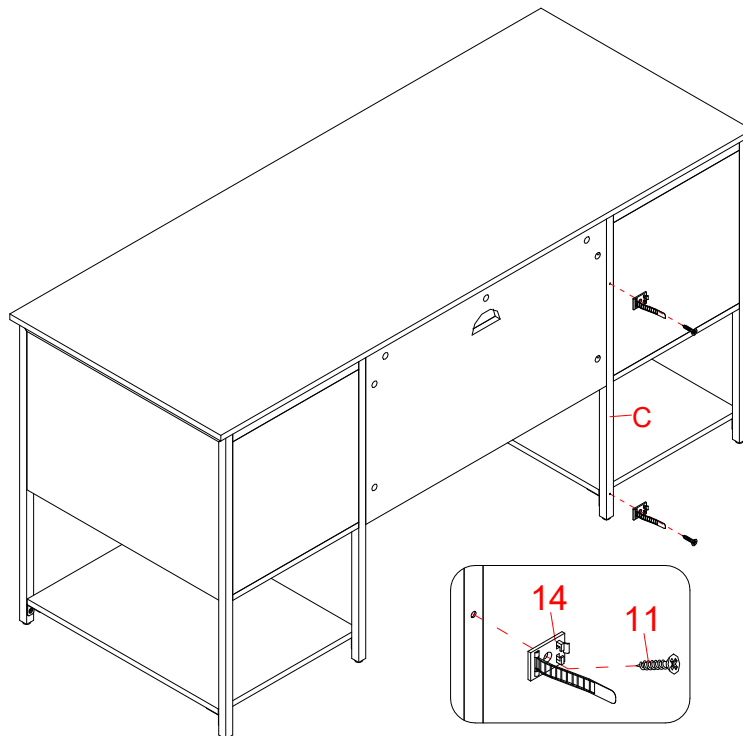


56. Using the wood dowels inserted on the Modesty Panel (I) as a guide, ask for assistance to place the Desk Top (A) on the previous assembly properly.
57. Insert eight 1/4" x 15 mm Bolts (17) with the Washers (8 and 9) through the metal tabs on the Cabinet Side Frames (B, C, D and E) and screw into the Desk Top (A).

Assembly Instructions

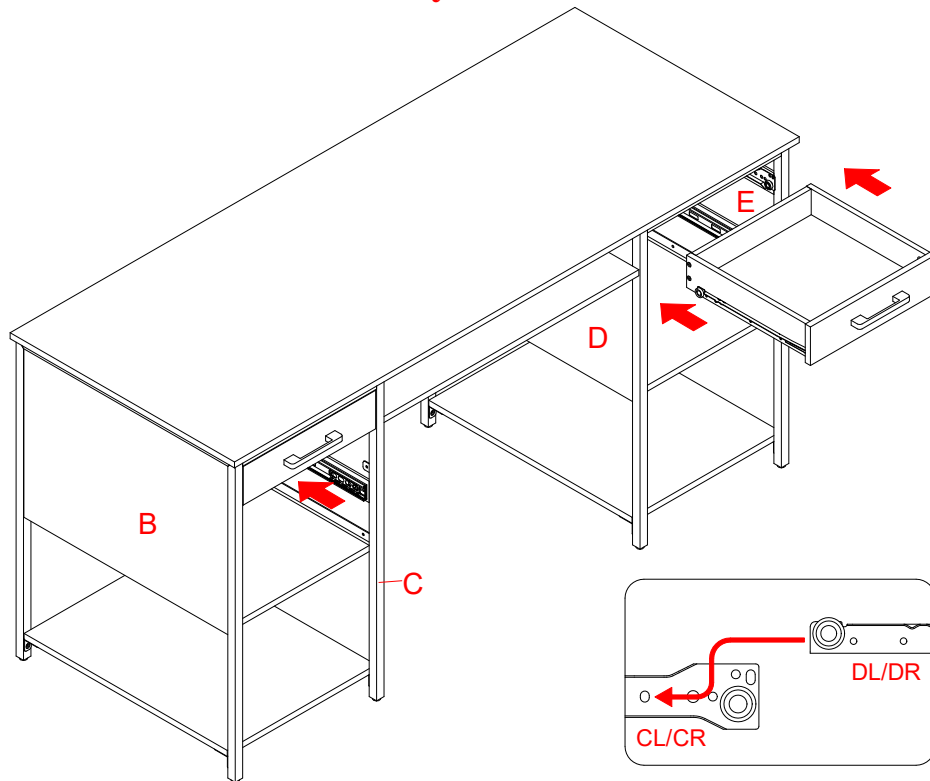


58. Insert seven Large Cam Locks (2) into the large holes in the Modesty Panel (I), making sure that the arrow on the face of the cam lock faces out and points towards the holes on the closest end. Turn the cam locks with a Phillips screwdriver until securely locked onto the cam bolts.
59. Now, go back and securely tighten all the cam locks and screws. Make sure that all the parts are tight and there are no gaps between the parts. This will help keep the unit square.



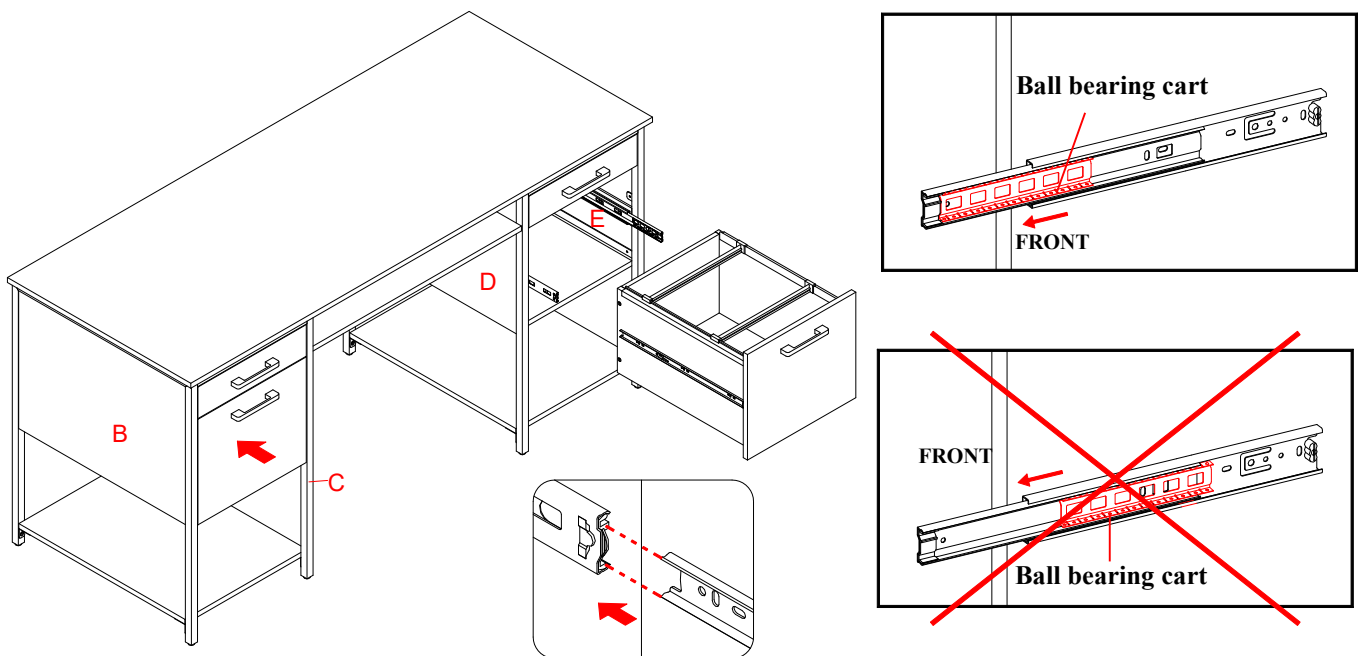
60. Mount two Cable Holders (14) to the back side of Left Cabinet Right Frame (C) with two 15 mm Flat Head Screws (11).
61. Route and secure the wires and cables into place using the Cable Holders (14).

Assembly Instructions



62. To insert the Utility Drawers to the frame, tip the front of drawer down and drop the rollers of the drawer slide runners behind the rollers of slide tracks on the unit. Lift the front of the drawer up and slide it into the unit.

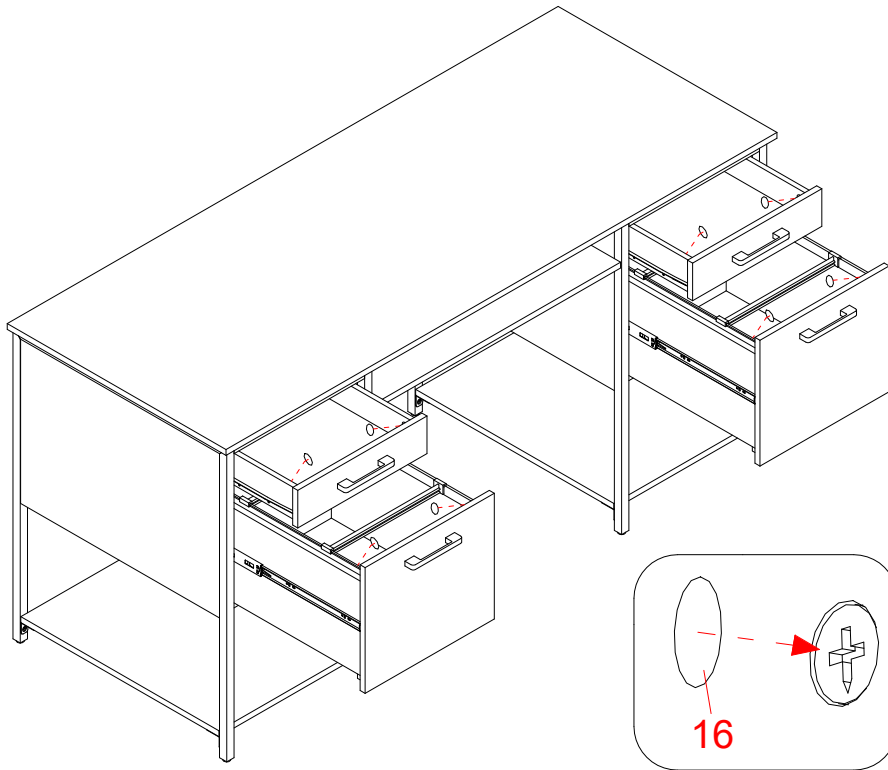
Drawer Installation



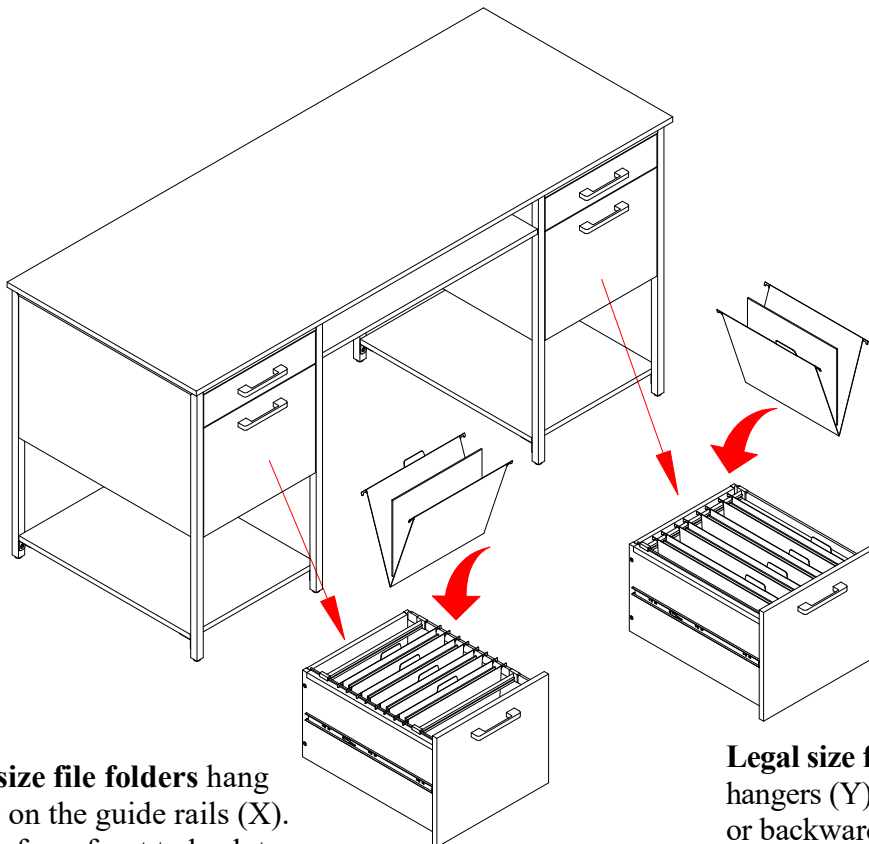
63. Proceed to insert the File Drawers into the lower frame. Extend the Ball Bearing Slide Tracks on the panels all the way forward (including ball bearing cart). Then align the Slide Runners on the assembled drawers with the Slide Tracks and push the drawer carefully inside until it stops.

NOTE: If the drawer does not go in smoothly, please take it out and repeat the step. If you need to remove the drawer, please pull the drawer all the way out, then simultaneously pushes the plastic release lever of the ball bearing slides up on one side and down on the other side, and then pull it completely out.

Assembly Instructions



64. Affix the Paper Stickers (16) onto the visible cam locks to conceal the cams.

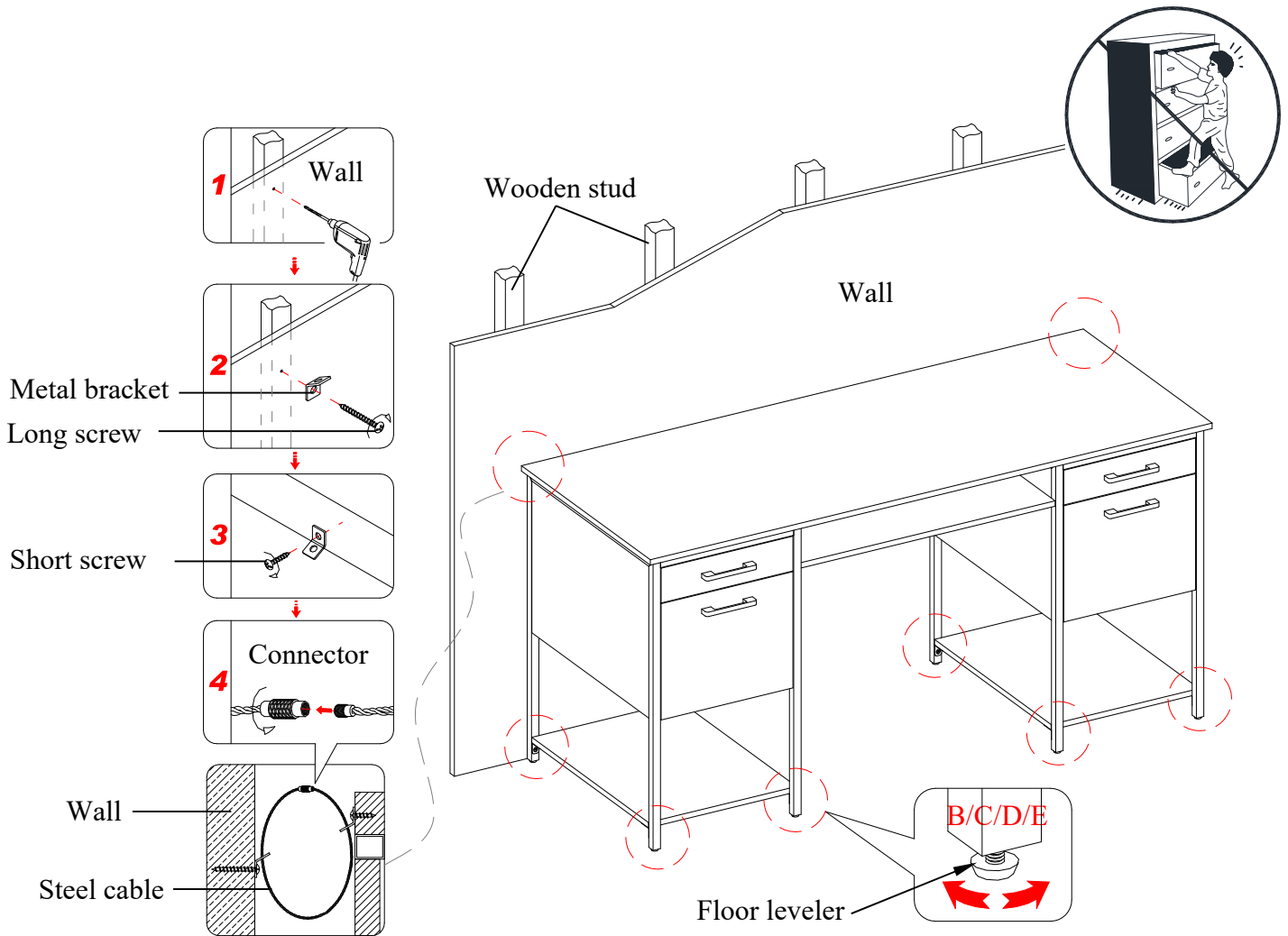


Letter size file folders hang directly on the guide rails (X). Arrange from front to back to maximize cabinet space.

Legal size file folders hang on the file hangers (Y). Slide file hangers forward or backward to adjust size according to your folder dimensions. Arrange from side to side to maximize cabinet space.

65. Firmly hook the hanging file folders onto the two File Hangers (Y) / Guide Rails (X) installed.

Assembly Instructions



Tools required (not included): Phillips screwdriver, stud finder, tape measure, pencil, power drill and 1/8" drill bit.

66. Ask for assistance to position the assembled unit at the desired location against a wall. Adjust each floor leveler pre-installed under the side frames (B, C, D and E) as necessary until the Desk Top is level.
67. Now, follow the instructions printed on the plastic bag containing the Tipping Restraint Hardware to attach the tip-over restraints to the unit and the wall.




NOTE: The tipping restraint hardware included is for wooden stud wall construction. It must be attached to a wall stud. Depending upon your wall construction, different anchor hardware maybe required. Please contact your local hardware store for assistance. Young children can be seriously injured by tipping furniture. You must install the tipping restraint hardware with the unit to prevent the unit from tipping, causing any accidents or damage. The tipping restraints are intended only as a deterrent, they are not a substitute for proper adult supervision. The tipping restraints are not earthquake restraints. If you wish to add the extra security of earthquake restraints, they must be purchased and installed separately.

FURNITURE TIPPING RESTRAINT

YOUNG CHILDREN MAY BE INJURED BY TIPPING FURNITURE AND YOU MUST USE THIS TIPPING RESTRAINT TO ATTACH THIS UNIT TO THE WALL, TO PREVENT ACCIDENTS AND/OR INJURIES.

THIS HARDWARE, MUST BE PROPERLY INSTALLED (FOLLOW ALL DIRECTIONS IN ORDER ON THIS INSTRUCTIONS), TO PROVIDE PROTECTION AGAINST THE UNEXPECTED TIPPING OF FURNITURE DUE TO IMPROPER USE.

THIS PRODUCT IS ONLY A DETERRENT. IT IS NOT A SUBSTITUTE FOR PROPER ADULT SUPERVISION. USE OF TIP-OVER RESTRAINTS MAY ONLY REDUCE, BUT NOT ELIMINATE, THE RISK OF TIP-OVER.

|  WARNING | |
|--|---|
|  | <p>Children have died from furniture tip-over. To reduce the risk of furniture tip-over:</p> <ul style="list-style-type: none">• ALWAYS install anti-tip device provided.• NEVER put a TV on this product.• NEVER allow children to stand, climb or hang on any drawers, doors, or shelves.• NEVER open more than one drawer at a time.• Place heaviest items in the lowest drawers. |
|  | <p>Use of tip-over restraints may only reduce, but not eliminate, the risk of tip-over.</p> |

Care and Maintenance

- Use a soft, clean cloth that will not scratch the surface when dusting.
- Gently rub the surface with a soft dry cloth, soft damp cloth, or soft damp cloth with neutral detergent, and then dry it well.
- Strong Alkaline detergents or acidic detergents are not recommended to use.
- Sponges containing abrasive agents or fibers are not recommended to use.
- Use of furniture polish is not necessary. Should you choose to use polish, test first in an inconspicuous area.
- Using solvents of any kind on your furniture may damage your furniture's finish.
- Never use water to clean your furniture as it may cause damage to the finish.
- Always use coasters under beverage glasses and flowerpots.
- Liquid spills should be removed immediately. Using a soft, clean cloth, blot the spill gently. Avoid rubbing.
- Always use protective pads under hot dishes and plates. Heat can cause chemical changes that may create spotting within the furniture finish.
- In the event that your furniture is stained or otherwise damaged during use, we recommend that you call a professional to repair your furniture.
- Check bolts/screws periodically and tighten them if necessary.

Further Advice about Wood Furniture Care

It is best to keep your furniture in a climate-controlled environment. Extreme temperature and humidity changes can cause fading, warping, shrinking and splitting of wood. It is advised to keep furniture away from direct sunlight as sun may damage the finish.

Proper care and cleaning at home will extend the life of your purchase. Following these important and helpful tips will enhance your furniture as it ages.

We hope you enjoy your purchase for many years.
Thank you for your purchase!

QUALITY GUARANTEE

We are confident that you will be delighted with your Whalen Furniture purchase.

Should this product be defective in workmanship or materials or fail under normal use, we will repair or replace it for up to one (1) year from date of purchase. Every Whalen Furniture product is designed to meet your highest expectations. We guarantee that you will immediately see the value of our fine furniture.

This warranty gives you specific legal rights and you may also have other rights which vary from state to state or province to province.

Whalen Furniture Manufacturing
1578 Air Wing Road, San Diego CA, 92154, USA
Customer Service: 1-866-942-5362
8:30 a.m. - 4:30 p.m., PST, Monday to Friday
www.whalenfurniture.com