

BILT.® INTELLIGENT INSTRUCTIONS



Available on most iOS and Android devices

DOWNLOAD THE **FREE** APP



Threespine® is a patented technology invented by Vålinge Innovation AB. The Threespine® word mark and logo are registered trademarks for click furniture technology owned by Vålinge Innovation AB and any use of such marks is under license.

Door and Drawer Base Cabinet

MODEL # LWSCLICK-09/10/11/12 (White)
LWSCLICK-09G/10G/11G/12G (Gray)
LWSCLICK-09LW/10LW/11LW/12LW (Light Wood)

ATTACH YOUR RECEIPT HERE

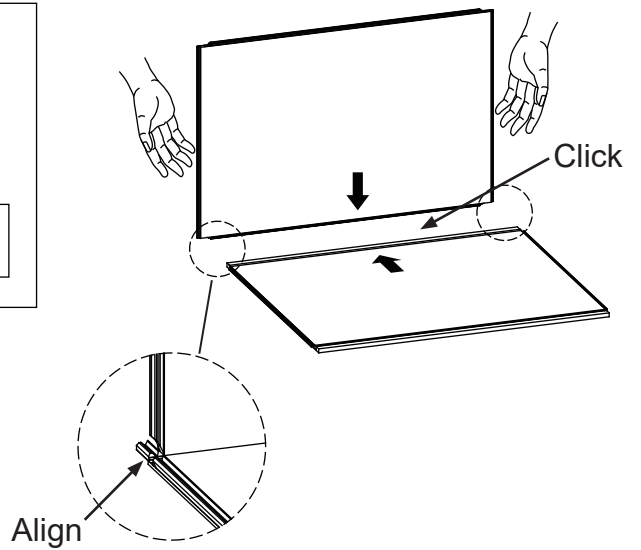
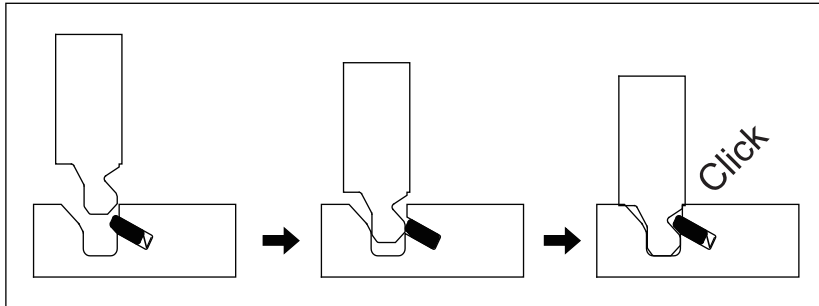
Español p. 13

Serial Number _____ Purchase Date _____



Please call for replacement parts or assistance: 1-866-942-5362
Pacific Standard Time: 8:30 am – 4:30 pm PST Monday to Friday
Or visit our web site: www.whalenfurniture.com

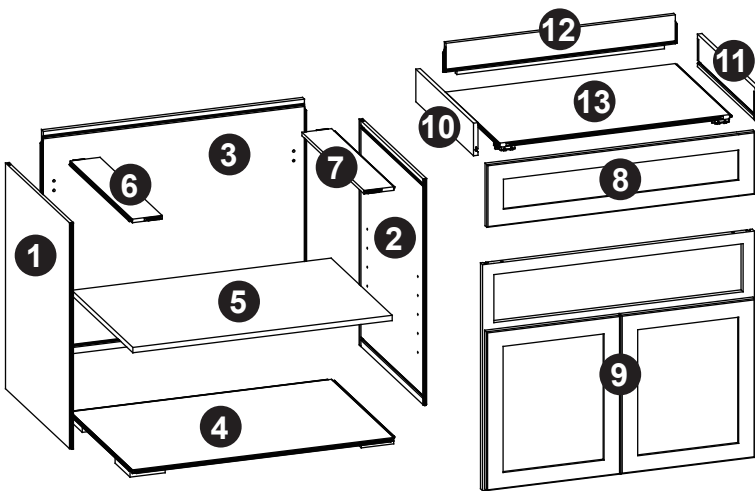
HOW CLICK-IT® WORKS



Key Feature of Click-IT® Powered by Threespine

- Patented flexible insert
- Groove on the opposite panel
- Tool-Less Click-IT® in place
- Achieve full joint connection

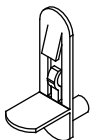
PACKAGE CONTENTS



PART	DESCRIPTION	QUANTITY
1	Left panel	1
2	Right panel	1
3	Back panel	1
4	Bottom panel	1
5	Adjustable shelf	1
6	Top left rail	1
7	Top right rail	1
8	Drawer Front	1
9	Door frame with door	1
10	Left side drawer panel	1
11	Right side drawer panel	1
12	Drawer back panel	1
13	Drawer bottom panel	1

HARDWARE CONTENTS

14



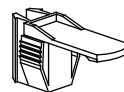
Shelf Support
Qty. 4

15



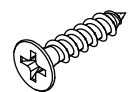
Toe Kick
Side clasp
Qty. 4

16



Toe Kick
Front clasp
Qty. 2

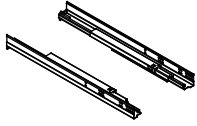
17



M4 x 15mm
Screw
Qty. 8

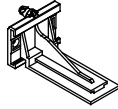
HARDWARE CONTENTS

18



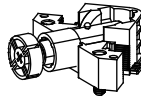
Drawer Slides
Set. 1

19



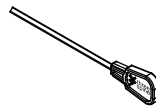
Slide support
Qty. 2

20



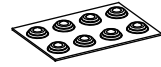
Foot
Qty. 4

21



Release key
Qty. 8

22

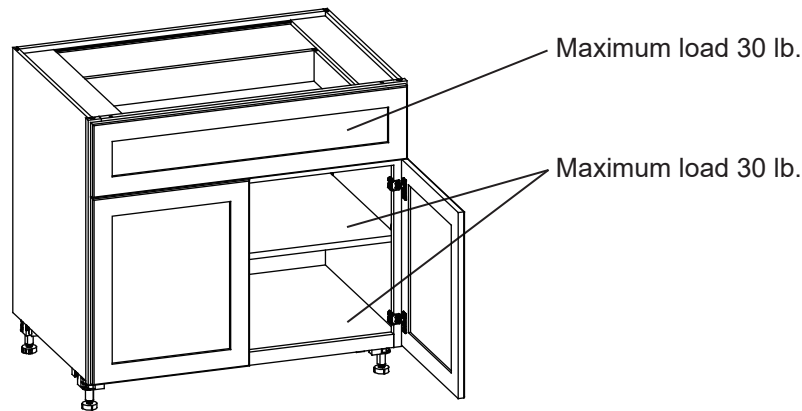


Silicone pads
Qty. 8
(2 / per door)

SAFETY INFORMATION

Please read and understand this entire manual before attempting to assemble, operate or install the product.

- Do not allow children to climb or play in or around this product.
- Use this unit for its intended purpose only. Do not use shelves as step ladder.
- To avoid damage, assemble the product on a sturdy, level and protective surface.
- Do not push furniture, especially on carpeted floor. Have someone help you lift the item and place it in its new location. Remove any shelves before moving.



WARNING

UNIT IS INTENDED FOR USE ONLY WITH MAXIMUM WEIGHTS INDICATED. OVERLOADING STORAGE UNIT WITH PRODUCTS HEAVIER THAN MAXIMUM WEIGHT MAY RESULT IN INJURY. DISTRIBUTE ANY WEIGHT IN UNITS EVENLY.

PREPARATION

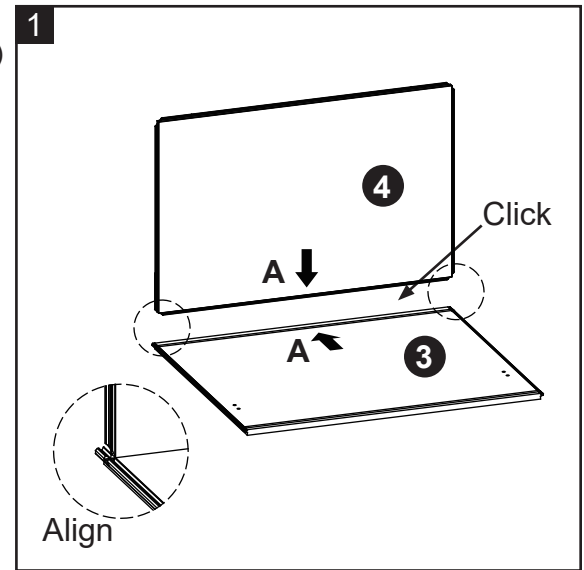
Please read the instruction sheets completely before assembly. Examine all packaging material before discarding carton. Remove any remaining staples from the carton before discarding. Remove all parts from carton and separate into groups as indicated on part list. Please ensure all parts are included prior to assembly.

Tools Required for Assembly(not included): Phillips screwdriver, rubber mallet.

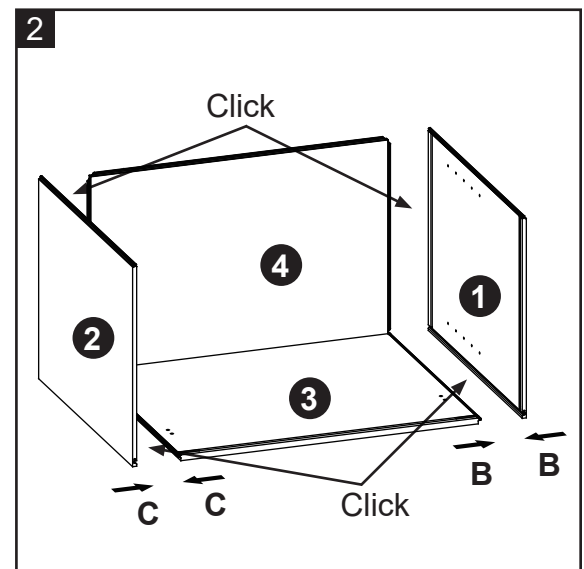
ASSEMBLY INSTRUCTIONS

- 1a. Find Back panel (3) and Bottom panel (4).
- 1b. Match up “A” label on Back panel (3) with “A” label on Bottom panel (4) and click together. Make sure the connection is flush across the entire joint and there are no gaps between the two panels.

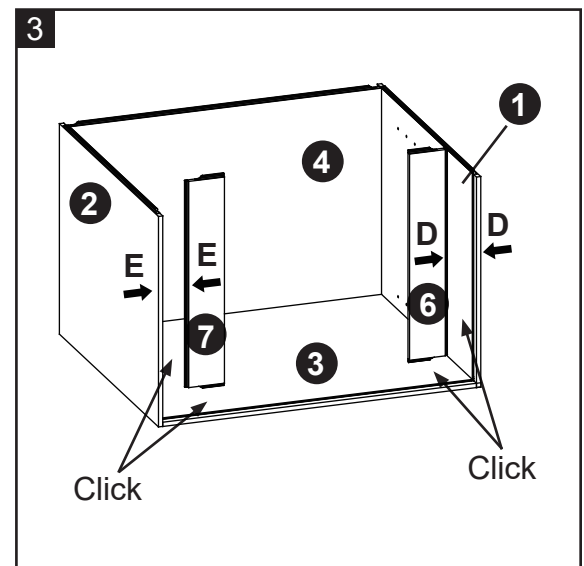
- * Assembly Tip – Make sure edges are aligned before clicking together.
- ** Assembly Tip – To attach side panels you may find it easier to flip the cabinet on its side(s). Be careful not to damage or scratch the finished sides.



- 2a. Find Left panel (1) and Right panel (2).
- 2b. Match up “B” label on Left panel (1) with “B” label on Back panel (3) and click together. Make sure there are no gaps between the three panels.
- 2c. Match up “C” label on Right panel (2) with “C” label on Back panel (3) and click together. Make sure there are no gaps between the three panels.

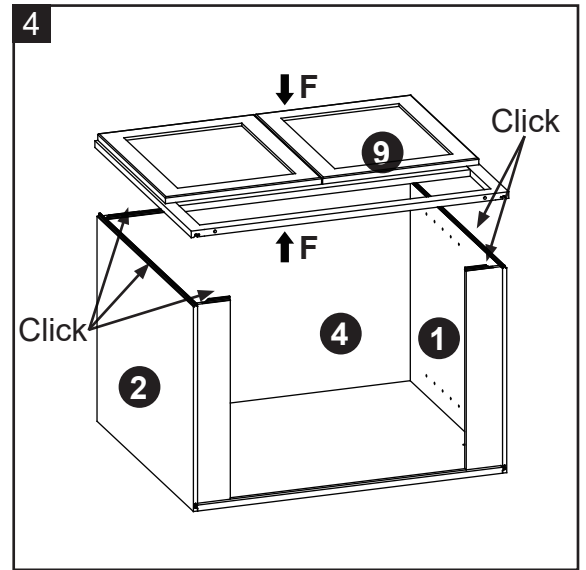


- 3a. Find Top left rail (6) and Top right rail (7).
- 3b. Match up “D” label on Top left rail (6) with “D” label on Left panel (1) and click together. Make sure there are no gaps between the three panels.
- 3c. Match up “E” label on Top right rail (7) with “E” label on Right panel (2) and click together. Make sure there are no gaps between the three panels.

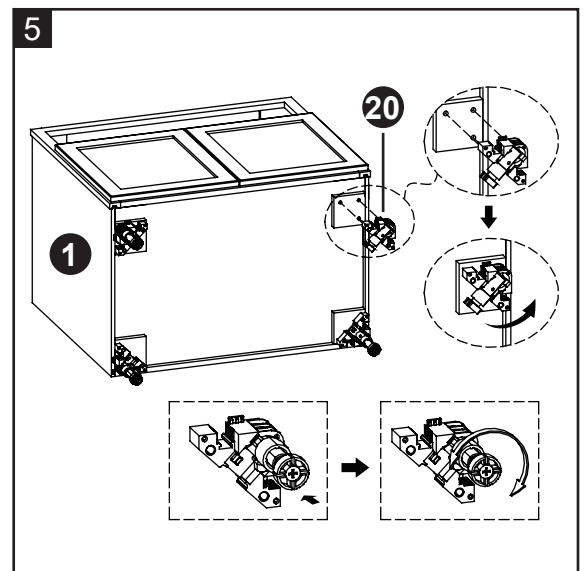


ASSEMBLY INSTRUCTIONS

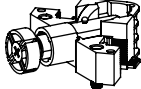
- 4a. Find Door frame with door(9).
 4b. Match up "F" label on Door frame with door(9) with "F" label on Bottom panel (4) and click together. Make sure there are no gaps on all four connection sides.



5. Attach the Feet (20) to the Bottom panel (4) use a rubber mallet. Then lift the legs in the direction of the arrow, press to secure, rotate to adjust to the desired height.






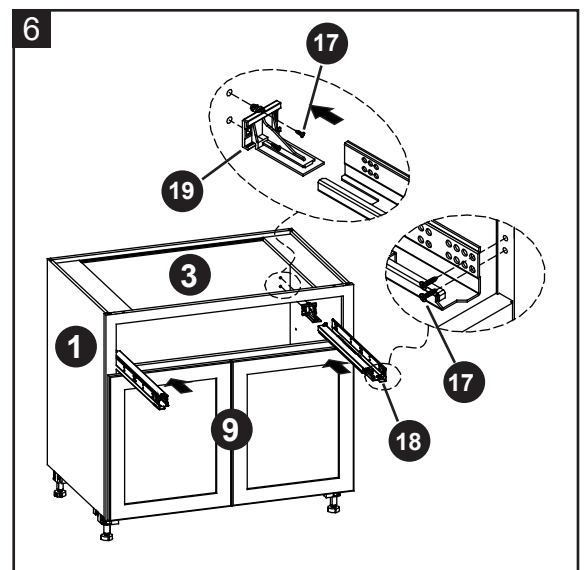
Hardware Used

- 20** Foot  x 4

6. Attach the Slide support (19) to the Back panel (3), using M4x15mm Screws (17);
 Then attach the Drawer Slides (18) and insert it into the mount, lock the Drawer Slides (18) to Front frame (9) with using M4x15mm Screws (17).

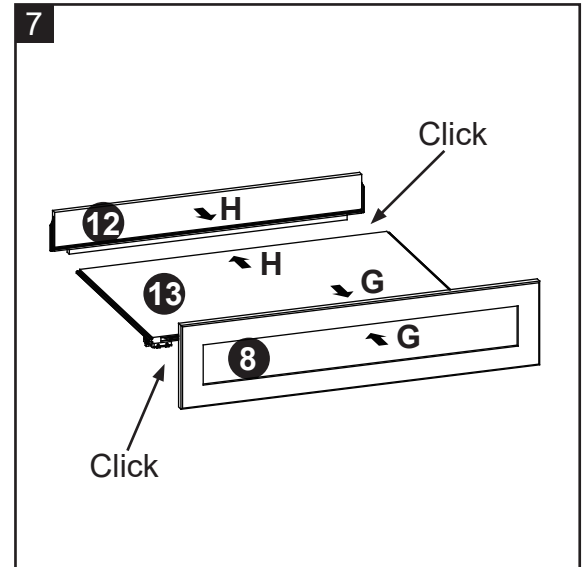
Hardware Used

- 17** M4x15mm Screw  x 8
18 Drawer Slides  x 1
19 Slide support  x 2

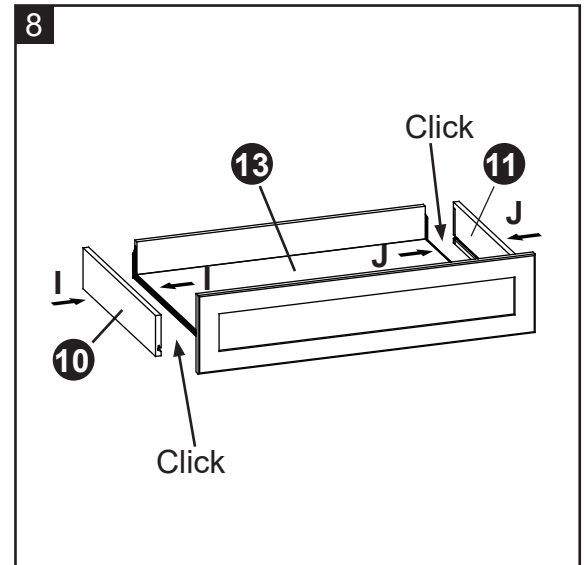


ASSEMBLY INSTRUCTIONS

- 7a. Find Drawer Front (8), Drawer back panel (12) and Drawer bottom panel (13).
- 7b. Match up "G" label on Drawer bottom panel (13) with "G" label on Drawer Front (8), "H" label on Drawer bottom panel (13) with "H" label on Drawer back panel (12) and click together. Make sure there are no gaps between the three panels.



- 8a. Find Left side drawer panel (10) and Right side drawer panel (11).
- 8b. Match up "I" label on Drawer bottom panel (13) with "I" label on Left side drawer panel (10), then match up "J" label on Drawer bottom panel (13) with "J" label on Right side drawer panel (11) and click together. Make sure there are no gaps between the three panels.



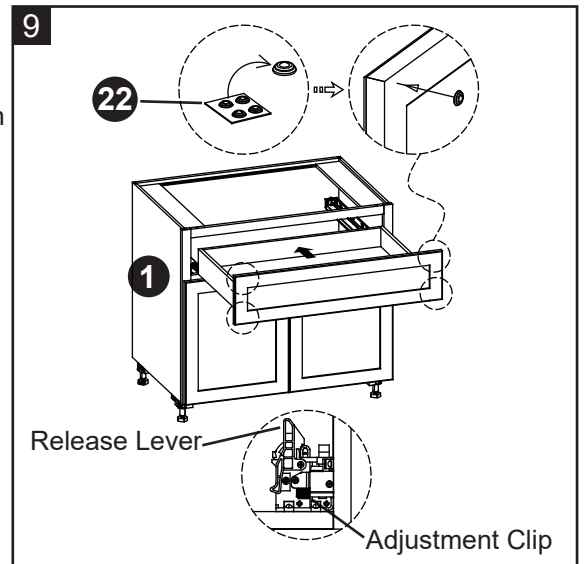
9. Peel and stick four silicone pads (22) onto the inside corners of each drawer, Then attach the drawer box to the base cabinet.

Note:

1. If you need to remove the drawer, please press the Release Levers on the mechanisms pre-attached underneath the drawer kit at both ends.
2. If necessary, you can push the Adjustment Clips on the bottom mechanisms to adjust the top and bottom gaps of the drawer.

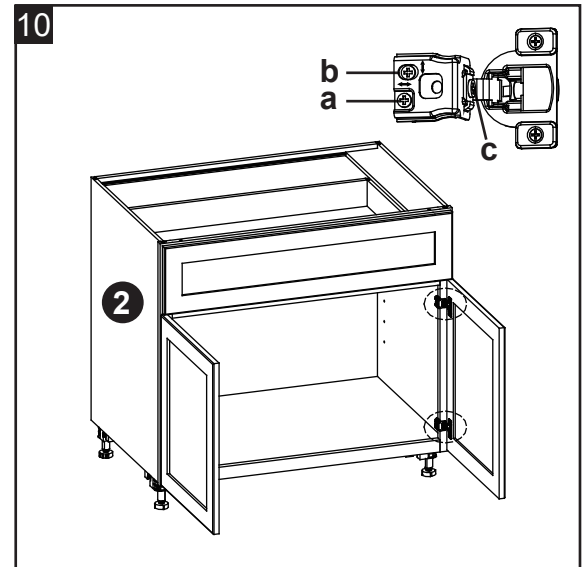
Hardware Used

- 22** Silicone pads  x 4

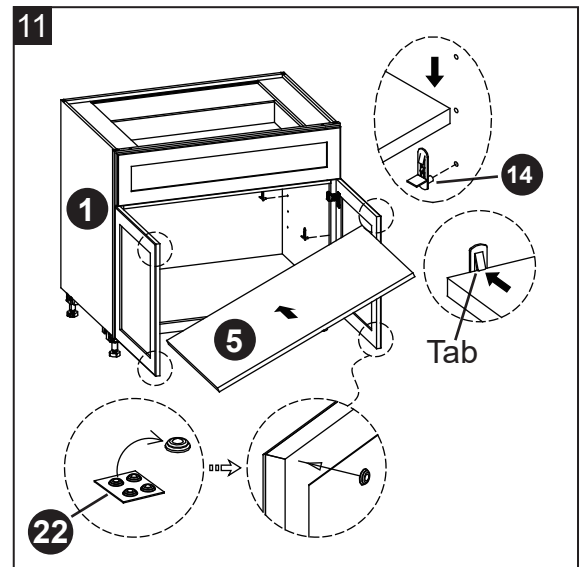


ASSEMBLY INSTRUCTIONS

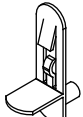
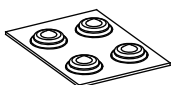
10. In & Out Adjustment: Turn screw (a) clockwise or counterclockwise.
 Up & Down Adjustment: Turn screw (b) clockwise or counterclockwise.
 Left & Right Adjustment: Turn screw (c) clockwise or counterclockwise.



- 11a. Insert shelf supports (14) into the desired holes inside each side compartment. Make sure you place the four shelf supports at the same level to level the shelf, then put in the adjustable shelf (5). To remove the shelves, push the tabs on the shelf supports and lift the shelf.
 11b. Peel and stick two silicone pads (22) onto the inside corners of each door.



Hardware Used



- | | | | |
|-----------|---------------|---|-----|
| 14 | Shelf Support |  | x 4 |
| 22 | Silicone pads |  | x 4 |

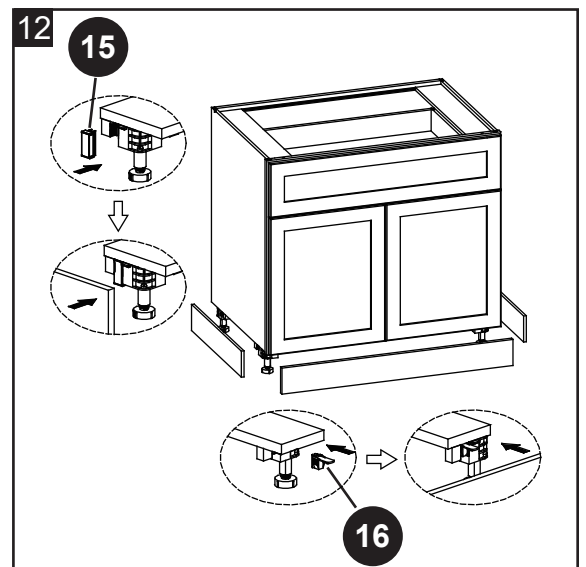
Toe Kick Assembly Instructions

NOTE: Toe Kick need to be purchased separately.

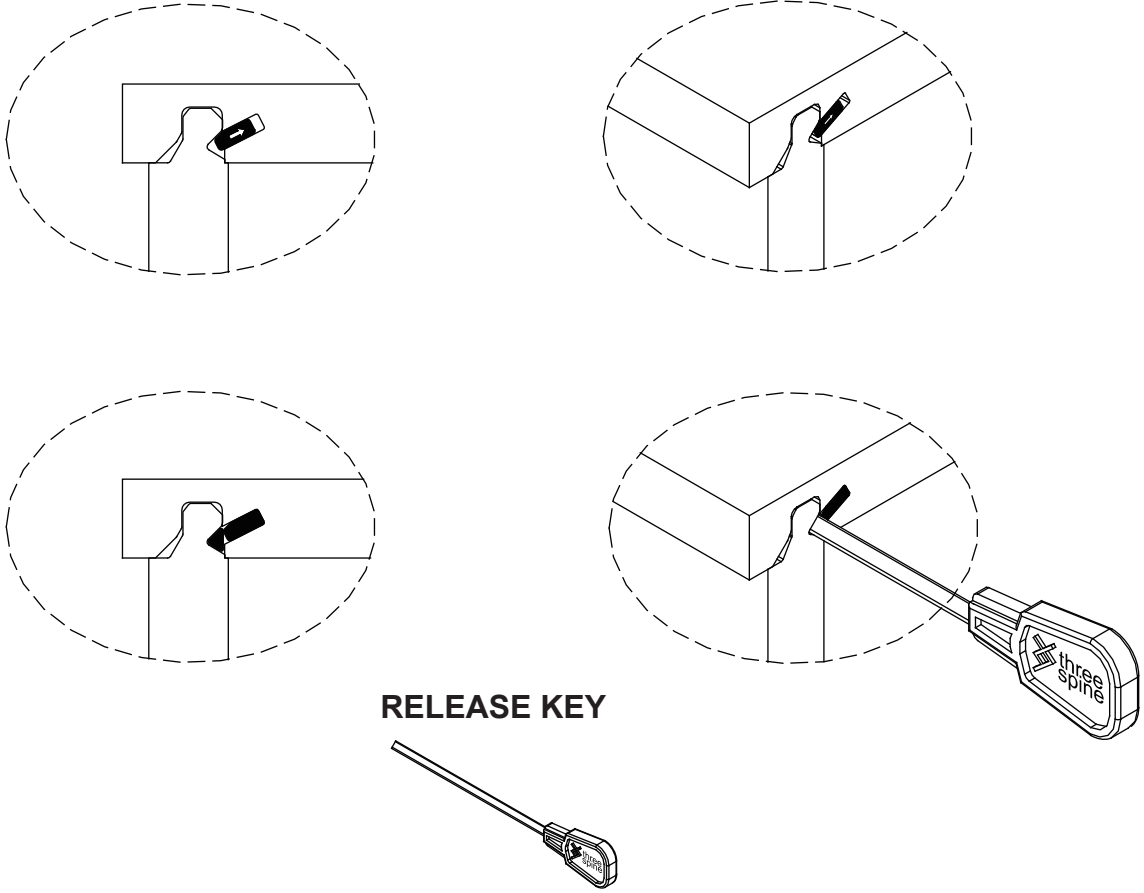
- 12a. Install Front clasp (16) in front of the base cabinet leg, then install the appropriate length size of the Toe Kick and press down the clasp to secure the Toe Kick.
 12b. Install Side clasp (15) in side of the base cabinet leg, remove the protective film from 3M adhesive paper on the side clasp, then attach the appropriate length size of the Toe Kick to the clasp, press to make sure it sticks firmly.

Hardware Used

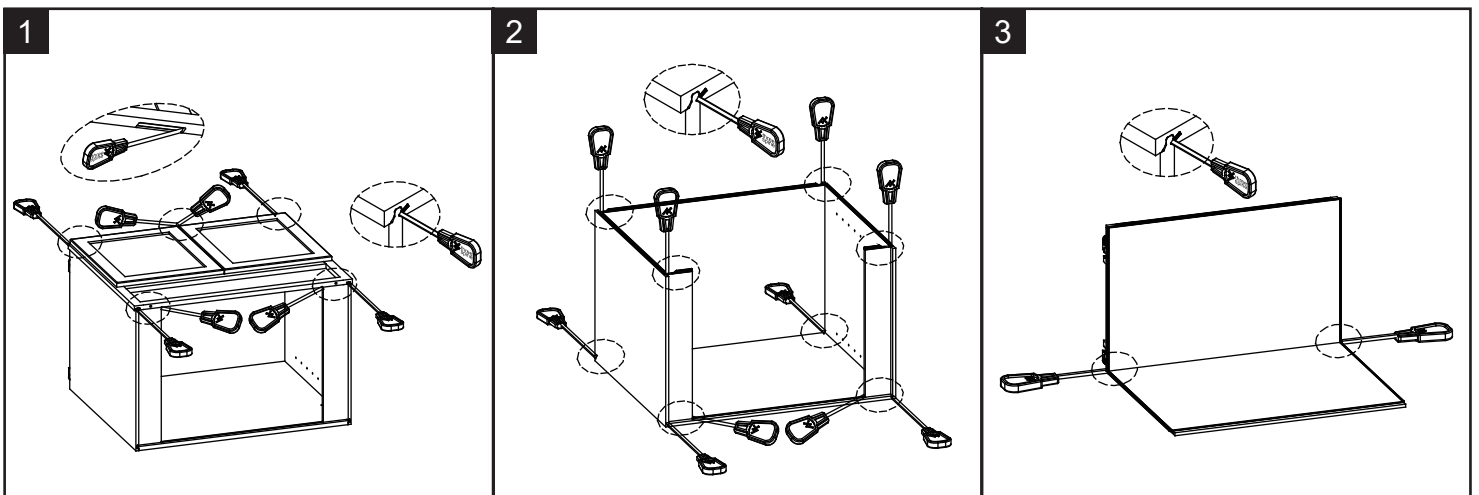
- | | | | |
|-----------|-------------|---|-----|
| 15 | Side clasp |  | x 4 |
| 16 | Front clasp |  | x 2 |



DISASSEMBLING



1. Insert the release key into the triangle hole.
2. The release key needs to be fully inserted.
3. You will need more than 1 for some panels.
4. It is important that release key in the sides meet each other so that you are sure the frame is fully unlocked.



CARE AND MAINTENANCE

To clean and care for your furniture:

- Use a soft, clean cloth that will not scratch the surface when dusting.
- Use of furniture polishes is not necessary. Should you choose to use polishes, test first in an inconspicuous area.
- Using solvents of any kind on your furniture may damage the finish.
- Never use water to clean your furniture as it may cause damage to the finish.
- Liquid spills should be removed immediately. Using a soft clean cloth, blot the spill gently. Avoid rubbing.
- Stains or marks from crayons or ink markers will be difficult to remove.
- In the event that your furniture is stained or otherwise damaged during use, we recommend that you call a professional to repair your furniture.

CARING FOR WOOD FURNITURE

- It is best to keep your furniture in a climate-controlled environment. Extreme temperature and humidity changes can cause fading, warping, shrinking and splitting of wood. It is advised to keep furniture away from direct sunlight as sun may damage the finish.
- Proper care and cleaning at home will extend the life of your purchase. Following these important and helpful tips will enhance your furniture as it ages.

ONE-YEAR LIMITED WARRANTY

This product is warranted to the original purchaser. If there is a failure in this unit due to defects in materials or workmanship, the manufacturer will repair or replace this item at our discretion without charge. Warranty is void if product has been assembled incorrectly, misused, abused by overloading, altered in any way or damaged due to accident. This warranty is not transferable and does not cover chipping, flaking, scratches, rust, dents, or other damages to the surfaces of this product. Responsibility of the manufacturer is limited to repair or replacement of this product. The manufacturer is not responsible for consequential, incidental, or other damages or losses resulting from product failure.

This warranty is in lieu of all other expressed warranties. Some states do not allow the exclusion or limitation of incidental or consequential damages, so the above limitation may not apply to you. This warranty gives you specific legal rights and you may have other rights which vary from state to state.

REPLACEMENT PARTS LIST

For replacement parts, call our customer service department at 1-866-942-5362, 8:30 am – 4:30 pm, PST, Monday to Friday.

PART	DESCRIPTION	PART# (White)	COVERED UNDER WARRANTY
1	Left panel	00LWSCCLICK34.5LSP-1	NO
2	Right panel	00LWSCCLICK34.5RSP-2	NO
3	Back panel	00LWSCCLICK-09-03,00LWSCCLICK-10-03,00LWSCCLICK-11-03, 00LWSCCLICK-12-03	NO
4	Bottom panel	00LWSCCLICK18BP-4,00LWSCCLICK24BP-4,00LWSCCLICK30BP-4, 00LWSCCLICK36BP-4	NO
5	Adjustable shelf	00LWSCCLICK18SHLF-5,00LWSCCLICK24SHLF-5, 00LWSCCLICK30SHLF-5,00LWSCCLICK36SHLF-5	NO
6	Top left rail	00LWSCCLICK18TLP-6,00LWSCCLICK24TLP-6, 00LWSCCLICK30TLP-6,00LWSCCLICK36TLP-6	NO
7	Top right rail	00LWSCCLICK18TRP-7,00LWSCCLICK24TRP-7, 00LWSCCLICK30TRP-7,00LWSCCLICK36TRP-7	NO
8	Drawer Front	00LWSCCLICK-09-08,00LWSCCLICK-10-08, 00LWSCCLICK-11-08,00LWSCCLICK-12-08	NO
9	Door frame with door	00LWSCCLICK-09-09,00LWSCCLICK-10-09, 00LWSCCLICK-11-09,00LWSCCLICK-12-09	NO
10	Left side drawer panel	00LWSCCLICK120MMBCDLP-10	NO
11	Right side drawer panel	00LWSCCLICK120MMBCDRP-11	NO
12	Drawer back panel	00LWSCCLICK-09-12,00LWSCCLICK-10-12,00LWSCCLICK-11-12, 00LWSCCLICK-12-12	NO
13	Drawer bottom panel	00LWSCCLICK-09-13,00LWSCCLICK-10-13,00LWSCCLICK-11-13, 00LWSCCLICK-12-13	NO

PART	DESCRIPTION	PART# (Gray)	COVERED UNDER WARRANTY
1	Left panel	00LWSCCLICK34.5LSPG-1	NO
2	Right panel	00LWSCCLICK34.5RSPG-2	NO
3	Back panel	00LWSCCLICK-09G-03,00LWSCCLICK-10G-03,00LWSCCLICK-11G-03, 00LWSCCLICK-12G-03	NO
4	Bottom panel	00LWSCCLICK18BPG-4,00LWSCCLICK24BPG-4,00LWSCCLICK30BPG-4, 00LWSCCLICK36BPG-4	NO
5	Adjustable shelf	00LWSCCLICK18SHLFG-5,00LWSCCLICK24SHLFG-5, 00LWSCCLICK30SHLFG-5,00LWSCCLICK36SHLFG-5	NO
6	Top left rail	00LWSCCLICK18TLPG-6,00LWSCCLICK24TLPG-6, 00LWSCCLICK30TLPG-6,00LWSCCLICK36TLPG-6	NO
7	Top right rail	00LWSCCLICK18TRPG-7,00LWSCCLICK24TRPG-7, 00LWSCCLICK30TRPG-7,00LWSCCLICK36TRPG-7	NO
8	Drawer Front	00LWSCCLICK-09G-08,00LWSCCLICK-10G-08, 00LWSCCLICK-11G-08,00LWSCCLICK-12G-08	NO
9	Door frame with door	00LWSCCLICK-09G-09,00LWSCCLICK-10G-09, 00LWSCCLICK-11G-09,00LWSCCLICK-12G-09	NO
10	Left side drawer panel	00LWSCCLICK120MMBCDLPG-10	NO
11	Right side drawer panel	00LWSCCLICK120MMBCDRPG-11	NO
12	Drawer back panel	00LWSCCLICK-09G-12,00LWSCCLICK-10G-12,00LWSCCLICK-11G-12, 00LWSCCLICK-12G-12	NO
13	Drawer bottom panel	00LWSCCLICK-09G-13,00LWSCCLICK-10G-13,00LWSCCLICK-11G-13, 00LWSCCLICK-12G-13	NO

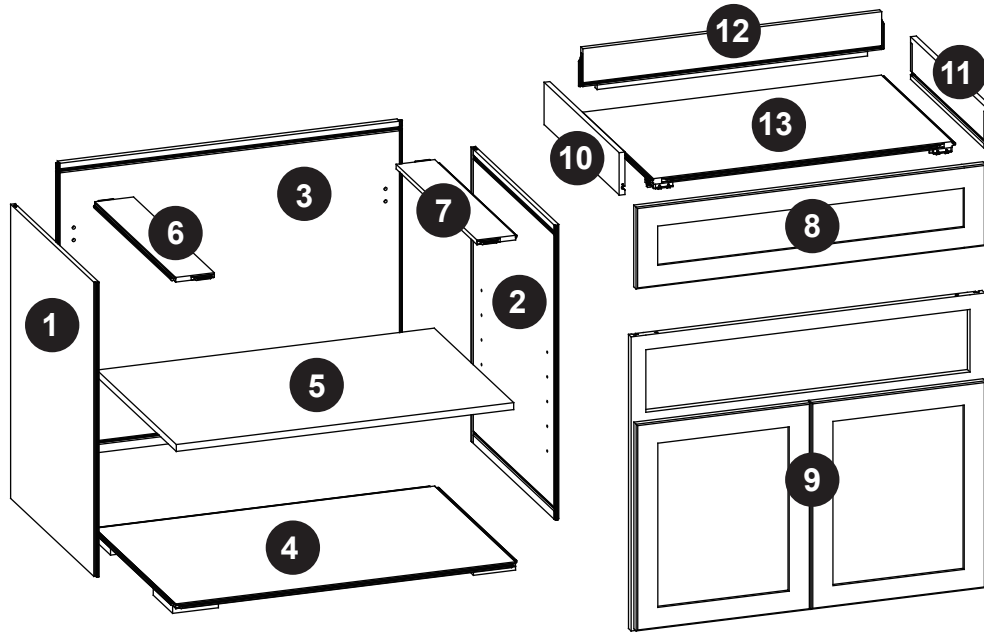
REPLACEMENT PARTS LIST

For replacement parts, call our customer service department at 1-866-942-5362, 8:30 am – 4:30 pm, PST, Monday to Friday.

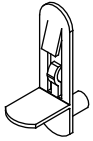
PART	DESCRIPTION	PART# (Light Wood)	COVERED UNDER WARRANTY
1	Left panel	00LWSCCLICK34.5LSPLW-1	NO
2	Right panel	00LWSCCLICK34.5RSPLW-2	NO
3	Back panel	00LWSCCLICK-09LW-03,00LWSCCLICK-10LW-03,00LWSCCLICK-11LW-03, 00LWSCCLICK-12LW-03	NO
4	Bottom panel	00LWSCCLICK18BPLW-4,00LWSCCLICK24BPLW-4,00LWSCCLICK30BPLW-4, 00LWSCCLICK36BPLW-4	NO
5	Adjustable shelf	00LWSCCLICK18SHLFLW-5,00LWSCCLICK24SHLFLW-5, 00LWSCCLICK30SHLFLW-5,00LWSCCLICK36SHLFLW-5	NO
6	Top left rail	00LWSCCLICK18TLPLW-6,00LWSCCLICK24TLPLW-6, 00LWSCCLICK30TLPLW-6,00LWSCCLICK36TLPLW-6	NO
7	Top right rail	00LWSCCLICK18TRPLW-7,00LWSCCLICK24TRPLW-7, 00LWSCCLICK30TRPLW-7,00LWSCCLICK36TRPLW-7	NO
8	Drawer Front	00LWSCCLICK-09LW-08,00LWSCCLICK-10LW-08, 00LWSCCLICK-11LW-08,00LWSCCLICK-12LW-08	NO
9	Door frame with door	00LWSCCLICK-09LW-09,00LWSCCLICK-10LW-09, 00LWSCCLICK-11LW-09,00LWSCCLICK-12LW-09	NO
10	Left side drawer panel	00LWSCCLICK120MMBCDPLW-10	NO
11	Right side drawer panel	00LWSCCLICK120MMBCDRPLW-11	NO
12	Drawer back panel	00LWSCCLICK-09LW-12,00LWSCCLICK-10LW-12,00LWSCCLICK-11LW-12, 00LWSCCLICK-12LW-12	NO
13	Drawer bottom panel	00LWSCCLICK-09LW-13,00LWSCCLICK-10LW-13,00LWSCCLICK-11LW-13, 00LWSCCLICK-12LW-13	NO
14	Shelf Support	00LWSCCLICK-SS	NO
15	Adjustable Foot Assembly (Each)	00LWSCCLICK-76	NO
16	Adjustable Foot Assembly (4pk)	00LWSCCLICK-77	NO
17	Framed hinge with Screws	00LWSCCLICK-78	NO
18	Drawer Slides Assembly	00LWSCCLICK-79	NO
19	Release key	00LWSCCLICK-RK	NO
20	Silicone pads	00LWSCCLICK-SP	NO

REPLACEMENT PARTS LIST

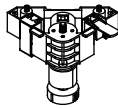
For replacement parts, call our customer service department at 1-866-942-5362, 8:30 am – 4:30 pm, PST, Monday to Friday.



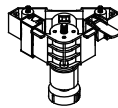
14



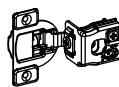
15



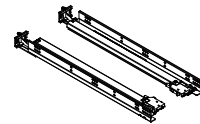
16



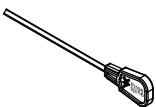
17



18



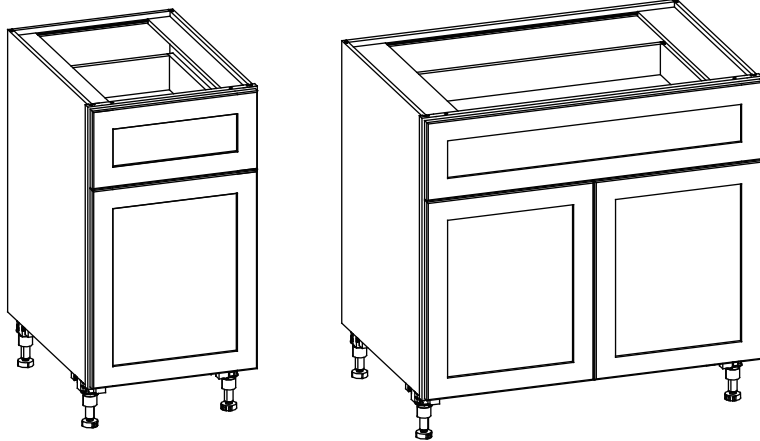
19



20



Date: 2024-09-19
Rev. 0001-A



BILT.® INSTRUCCIONES INTELIGENTES



Disponible en la mayoría de dispositivos iOS y Android
DESCARGA LA APLICACIÓN GRATIS



Threespine® es una tecnología patentada inventada por Välinge Innovation AB. La marca y logo Threespine® son marcas registradas para tecnología de muebles click pertenecientes a Välinge Innovation AB y cualquier uso de tales marcas debe ser bajo licencia.

Gabinete Base de cajón y puerta

MODELO # LWSCLICK-09/10/11/12 (Blanco)
LWSCLICK-09G/10G/11G/12G (Gris)
LWSCLICK-09LW/10LW/11LW/12LW (Light Wood)

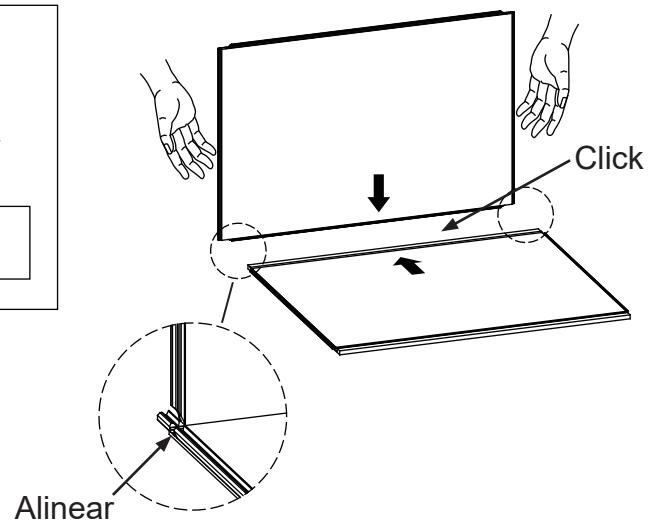
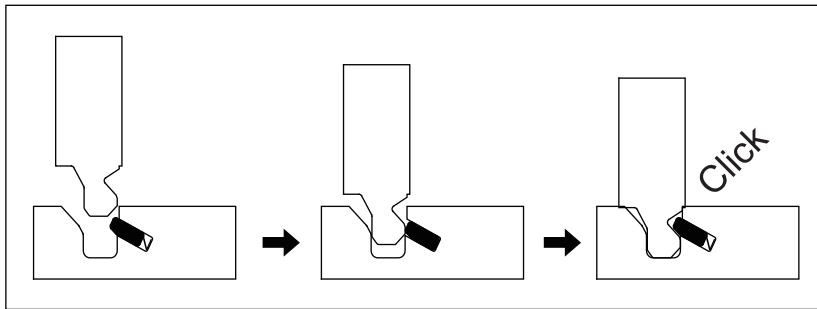
ADJUNTE SU RECIBO AQUÍ

Número de serie _____ Fecha de compra _____



Por favor llame para hp partes de reemplazo o asistencia: 1-866-942-5362
PST: 8:30 am – 4:30 pm Lunes a Viernes
O visite nuestra página web: www.whalenfurniture.com

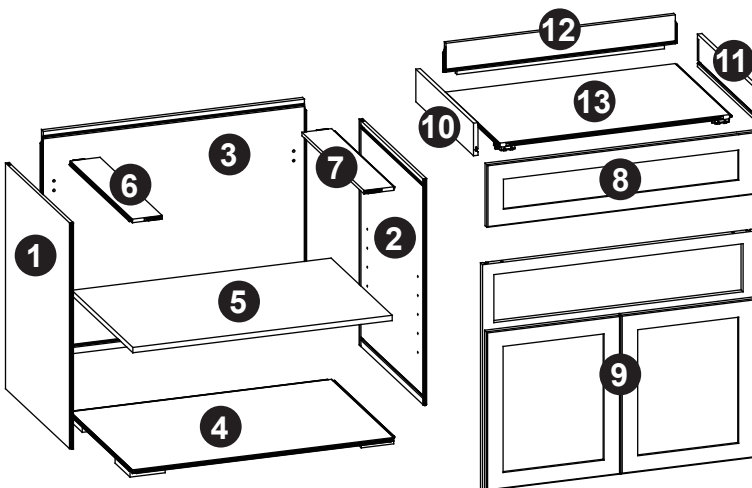
COMO FUNCIONA CLICK-IT®



Funciones clave de Click-IT® Powered by Threespine

- Inserto flexible patentado
- Ranura en el panel opuesto
- Click-IT® sin herramienta en su lugar
- Obtén conexión completa de la unión

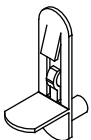
CONTENIDOS DEL PAQUETE



PARTE	DESCRIPCIÓN	CANTIDAD
1	Panel izquierdo	1
2	Panel derecho	1
3	Panel posterior	1
4	Panel inferior	1
5	Entrepaño ajustable	1
6	Riel superior izquierdo	1
7	Riel superior derecho	1
8	Frente del cajón	1
9	Marco de puerta con puerta	1
10	Panel del cajón lateral izquierdo	1
11	Panel del cajón lateral derecho	1
12	Panel posterior del cajón	1
13	Panel inferior del cajón	1

CONTENIDOS DE FERRETERIA

14



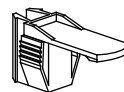
Soporte del
entrepaño
Cant. 4

15



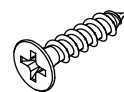
Soporte lateral
Cant. 4

16



Soporte frontal
Cant. 2

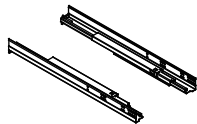
17



Perno M4 x 15 mm
Cant. 8

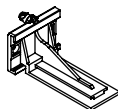
HARDWARE CONTENTS

18



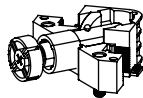
Guías para
cajones
Serie. 1

19



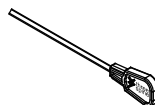
Soporte
deslizante
Cant. 2

20



Pata
Cant. 4

21



Llave de
liberación
Cant. 8

22



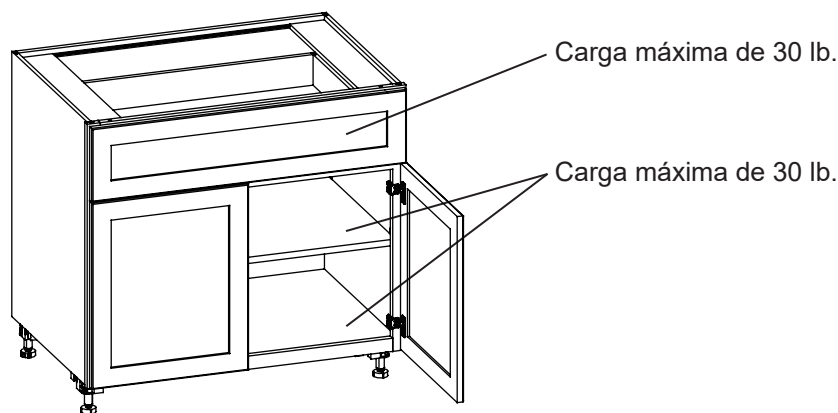
Tope de silicón
Cant. 8
(2 / cada puerta)



INFORMACIÓN DE SEGURIDAD

Por favor lea y entienda este manual completo antes de intentar ensamblar, operar o instalar el producto.

- No permita que niños se trepen o jueguen sobre o alrededor del producto.
- Use esta unidad para su uso señalado. No usar las repisas como escalones.
- Para evitar daños, ensamblar el producto en una superficie nivelada y protegida.
- No empujar el mueble, especialmente en un piso alfombrado. Hoy pide ayuda para levantar el objeto y poner en un nuevo lugar. Retirar cualquier repisa antes de mover.



ADVERTENCIA

EL OBJETO ESTÁ DISEÑADO PARA USARSE SOLO CON PESOS MÁXIMOS INDICADOS. LA SOBRECARGA DEL OBJETO DE ALMACENAMIENTO CON PRODUCTOS MÁS PESADOS QUE EL PESO MÁXIMO PUEDE PROVOCAR LESIONES. DISTRIBUYA CUALQUIER PESO EN OBJETOS DE MANERA UNIFORME.

PREPARACIÓN

Por favor lea las instrucciones completamente antes de ensamblar. Examine todo el material de empaque antes de tirar el cartón. Retirar cualquier grapa en el cartón antes de tirar. Retirar todas las partes del cartón y separar en grupos como se indique en la lista de partes. Por favor asegure que todas las partes estén incluidas antes de ensamblar.

Herramientas necesarias para el montaje(no se incluyen): Destornillador phillips, mazo de goma.

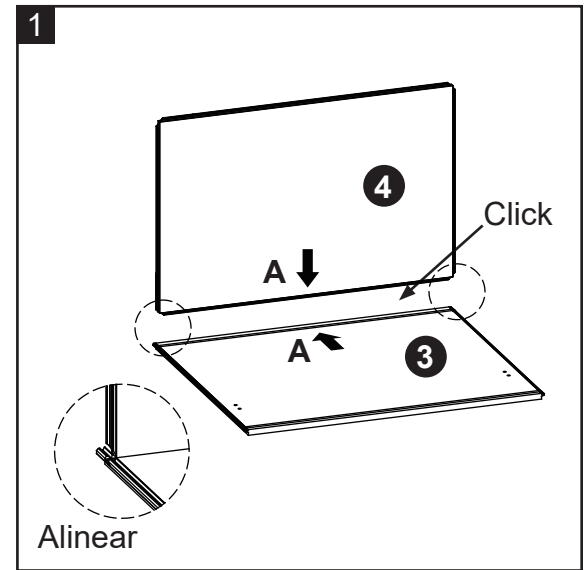
INSTRUCTIVO DE ENSAMBLE

1a. Busque el panel posterior (3) y el panel inferior (4).

1b. Haga coincidir la etiqueta "A" en el panel posterior (3) con la etiqueta "A" en el panel inferior (4) y haga clic. Asegúrese de que la conexión quede nivelada en toda la junta y que no queden espacios entre los dos paneles.

* Consejo de ensamble – asegurar que los bordes estén alineados antes de hacer click para juntar.

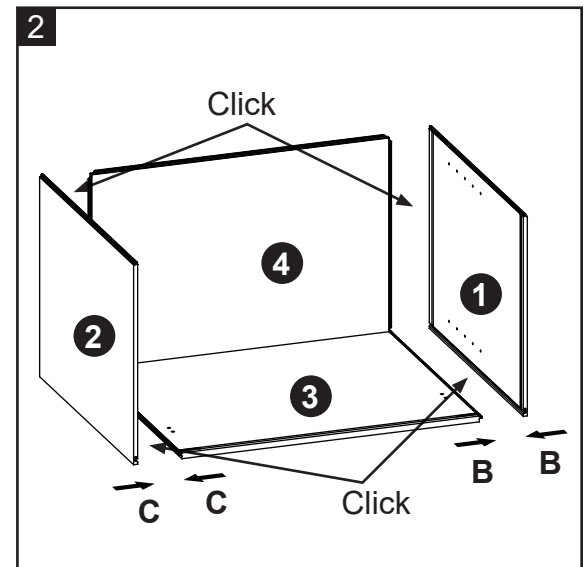
** Consejo de ensamble – para adjuntar los paneles laterales usted puede encontrar más fácil voltear el gabinete sobre su lado(s). Hoy tenga cuidado de no dañar o rayar los lados acabados.



2a. Busque el panel izquierdo (1) y el panel derecho (2).

2b. Haga coincidir la etiqueta "B" en el panel izquierdo (1) con la etiqueta "B" en el panel posterior (3) y haga clic juntas. Asegúrese de que no haya espacios entre los tres paneles.

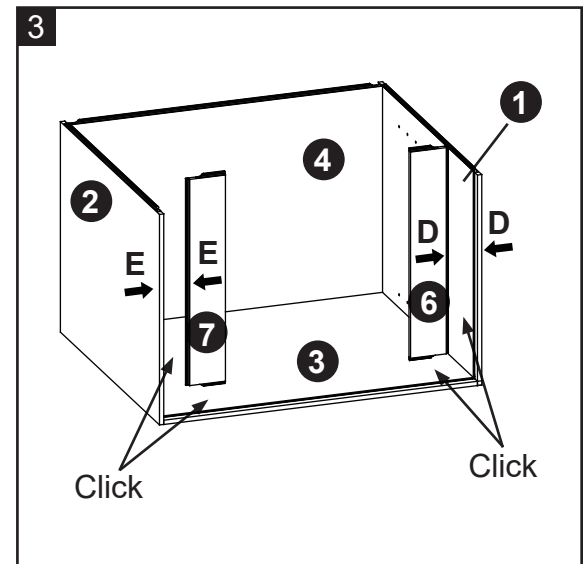
2c. Haga coincidir la etiqueta "C" en el panel derecho (2) con la etiqueta "C" en el panel posterior (3) y haga clic. Asegúrese de que no haya espacios entre los tres paneles.



3a. Busque el riel superior izquierdo (6) y el riel superior derecho (7).

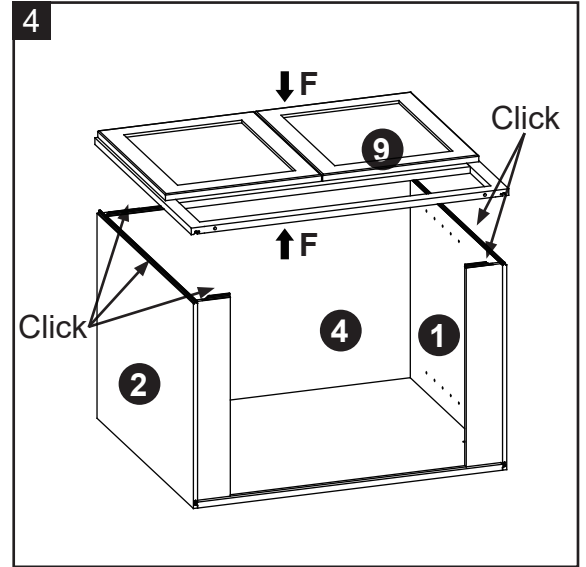
3b. Haga coincidir la etiqueta "D" en el riel superior izquierdo (6) con la etiqueta "D" en el panel izquierdo (1) y haga clic. Asegúrese de que no haya espacios entre los tres paneles.

3c. Haga coincidir la etiqueta "E" en el riel superior derecho (7) con la etiqueta "E" en el panel derecho (2) y haga clic juntos. Asegúrese de que no haya espacios entre los tres paneles.

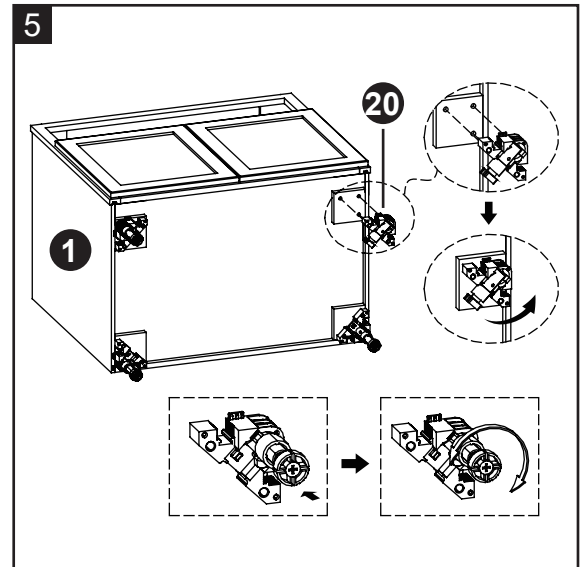


INSTRUCTIVO DE ENSAMBLE

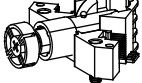
- 4a. Encuentra el marco de puerta con puerta(9).
 4b. Haga coincidir la etiqueta "F" en el marco de puerta con puerta (9) con la etiqueta "F" en Panel inferior (4) y haga clic juntos. Asegúrese de que no queden espacios en los cuatro lados de conexión.



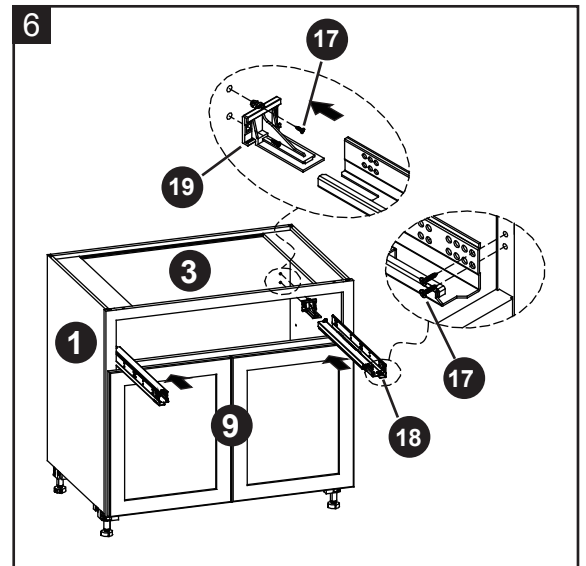
5. A Conecte las Patas (20) al panel inferior (4) usando un mazo de goma. Luego levante las patas en la dirección de la flecha, presione para asegurar, gire para ajustar a la altura deseada.



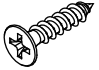


Material de ferretería usado

20 Pata  x 4

6. Fije el soporte deslizante (19) al panel trasero (3), usando tornillos M4x15 mm (17);
 Luego, fije las guías del cajón (18) e insértelas en el soporte, fije las guías del cajón (18) al marco frontal (9) con tornillos M4x15 mm (17).

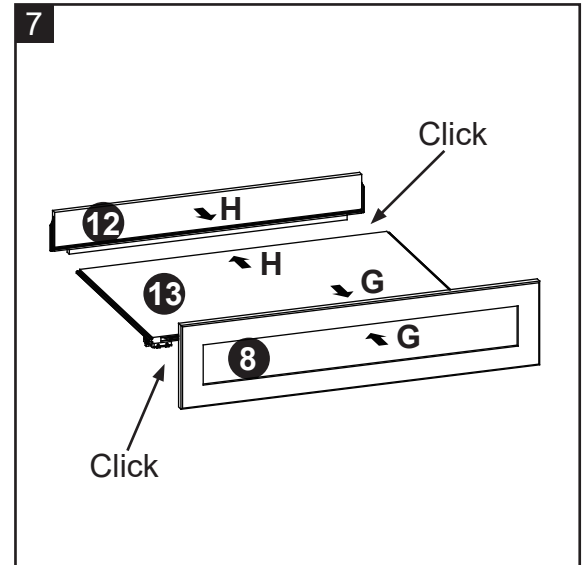


Material de ferretería usado

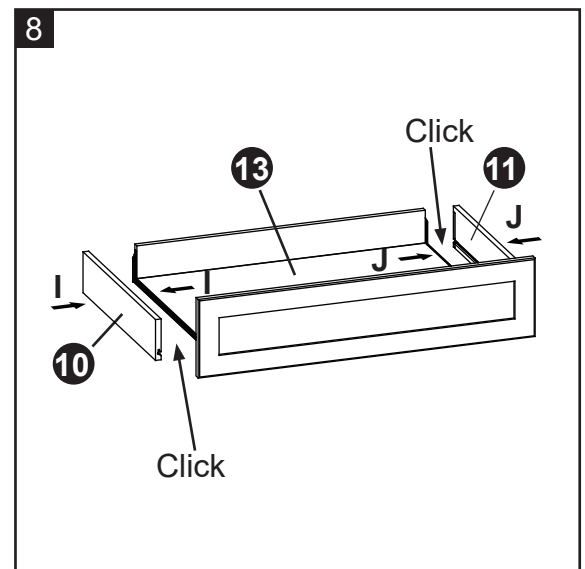
17 Perno M4x15mm  x 8
18 Correderas p/cajón  x 1
19 Soporte Corredera  x 2

INSTRUCTIVO DE ENSAMBLE

- 7a. Busque el panel frontal del cajón superior (8), el panel posterior del cajón superior (12) y el panel inferior del cajón superior (13).
- 7b. Haga coincidir la etiqueta "G" en el panel inferior del cajón superior (13) con la etiqueta "G" en el panel frontal del cajón superior (8), la etiqueta "H" en el panel inferior del cajón superior (13) con la etiqueta "H" en el panel posterior del cajón superior (12) y haga clic juntos. Asegúrese de que no haya espacios entre los tres paneles.



- 8a. Busque el panel lateral izquierdo del cajón superior (10) y el panel lateral derecho del cajón superior (11).
- 8b. Haga coincidir la etiqueta "I" en el panel inferior del cajón superior (13) con la etiqueta "I" en el panel lateral izquierdo del cajón superior (10), luego haga coincidir la etiqueta "J" en el panel inferior del cajón superior (13) con la etiqueta "J" en el panel lateral derecho del cajón superior (11) y haga clic juntos. Asegúrese de que no haya espacios entre los tres paneles.



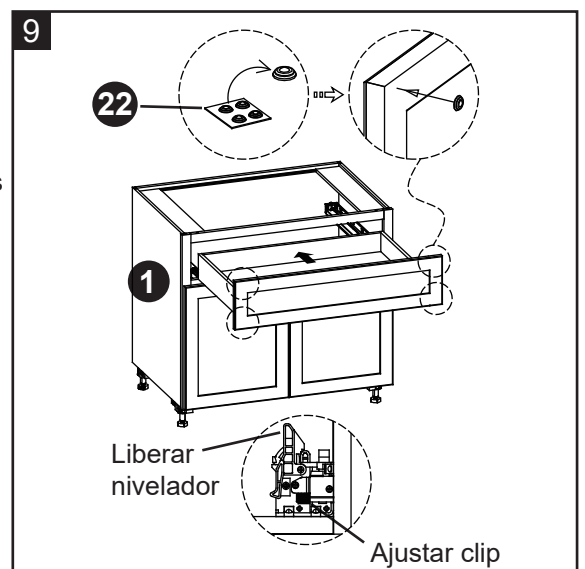
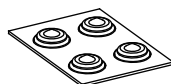
9. Pele y pegue cuatro almohadillas de silicona (22) en las esquinas interiores de cada cajón. Luego, fije la caja del cajón al gabinete base.

Nota:

1. Si necesita quitar el cajón, presione las palancas de liberación en los mecanismos preinstalados debajo del kit del cajón en ambos extremos.
2. Si es necesario, puede empujar los clips de ajuste en los mecanismos inferiores para ajustar los espacios superiores e inferiores del cajón.

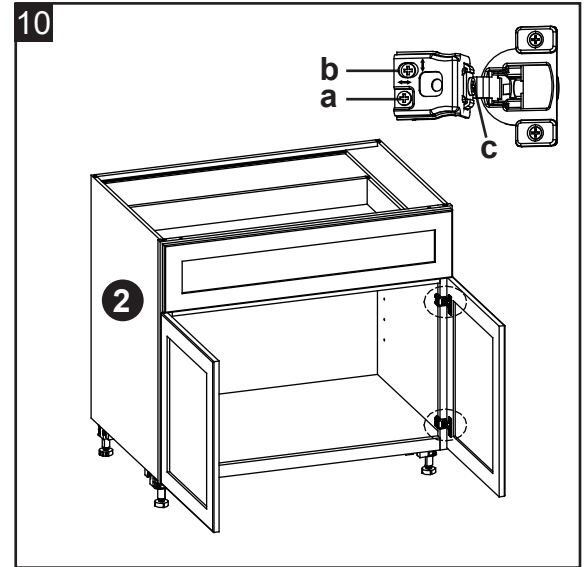
Material de ferretería usado

- 22** Tope de silicón x 4

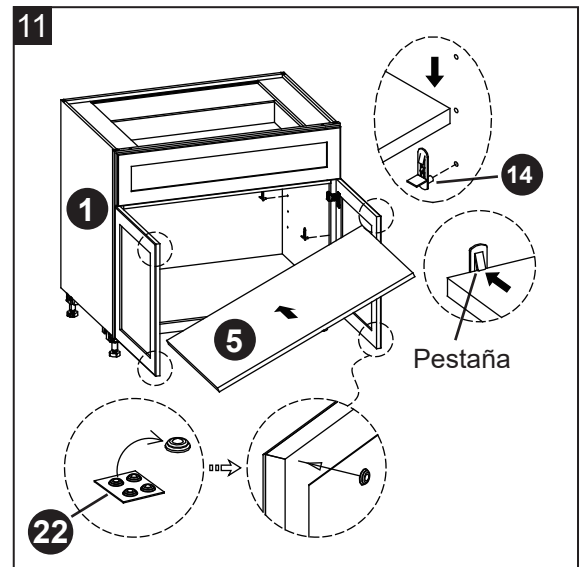


INSTRUCTIVO DE ENSAMBLE

10. Ajuste adentro y afuera: Voltear el perno (a) a la derecha o izquierda.
 Ajuste arriba y abajo: Voltear el perno (b) a la derecha o izquierda.
 Ajuste izquierda y derecha: Voltear el perno (c) a la derecha o izquierda.



- 11a. Inserte los soportes de los entrepaños (14) en los orificios deseados dentro de cada compartimento lateral. Asegúrese de colocar los cuatro soportes al mismo nivel para nivelar el entrepaño, luego coloque el entrepaño ajustable (5). Para quitar los entrepaños, presione las pestañas de los soportes de los entrepaños y levante el entrepaño.
 11b. Pele y pegue 2 topes de silicón (22) en las esquinas interiores de cada puerta.



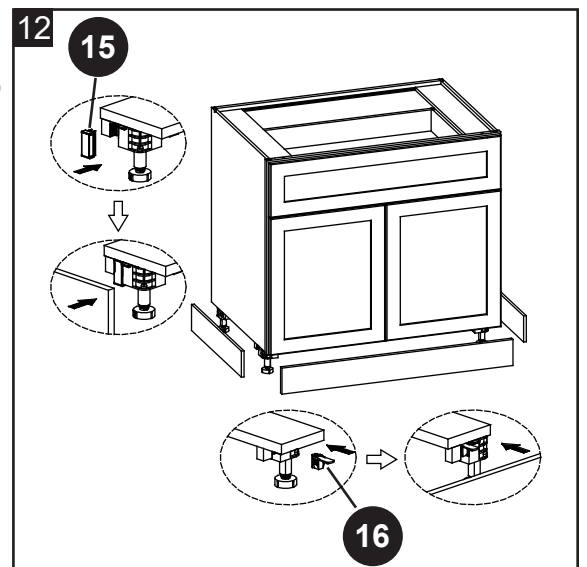
Material de ferretería usado

- | | | | |
|-----------|-----------------------|--|-----|
| 14 | Soporte del entrepaño | | x 4 |
| 22 | Tope de silicón | | x 4 |

Instrucciones de montaje de la moldura de base

NOTA: Soportes deben comprarse por separado.

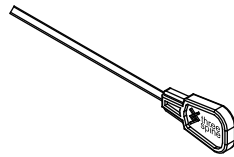
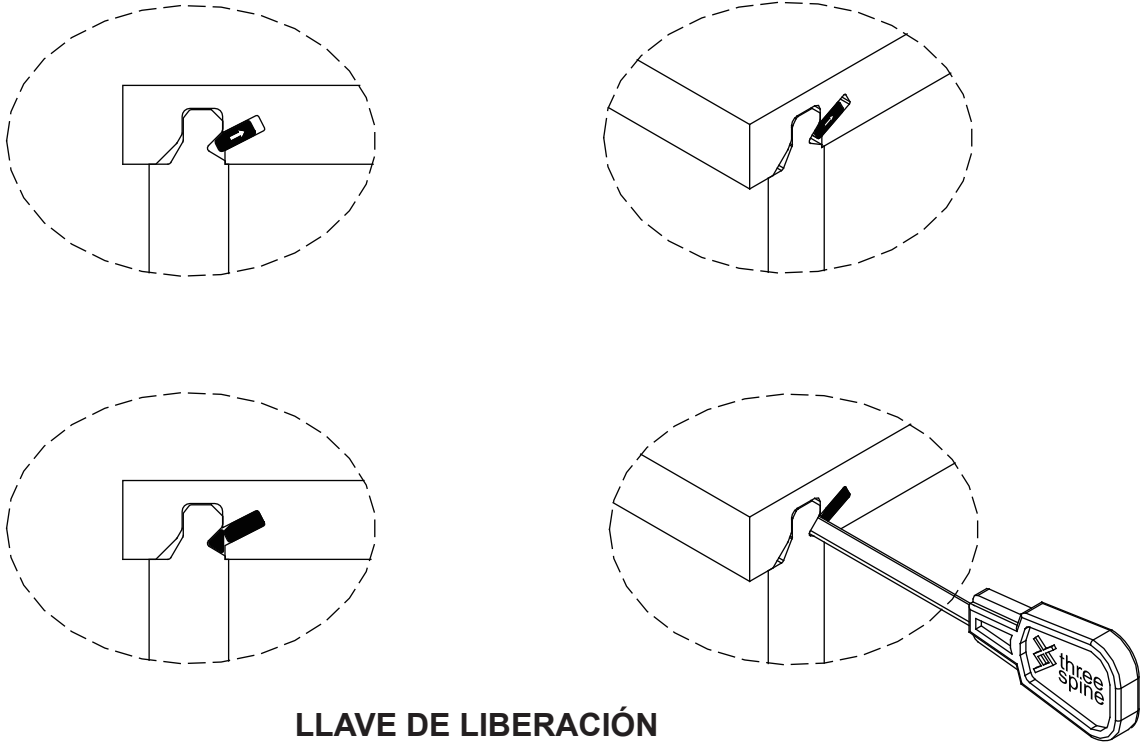
- 12a. Instale el soporte frontal (16) delante de la pata del gabinete base, luego instale el soporte a la longitud adecuada y presione hacia abajo para asegurar la patada.
 12b. Instale el soporte lateral (15) en el costado de la pata del gabinete base, retire la película protectora del papel adhesivo 3M en el soporte lateral, luego coloque el tamaño de longitud adecuada del soporte del pie en el broche, presione para asegurarse se paga firmemente.



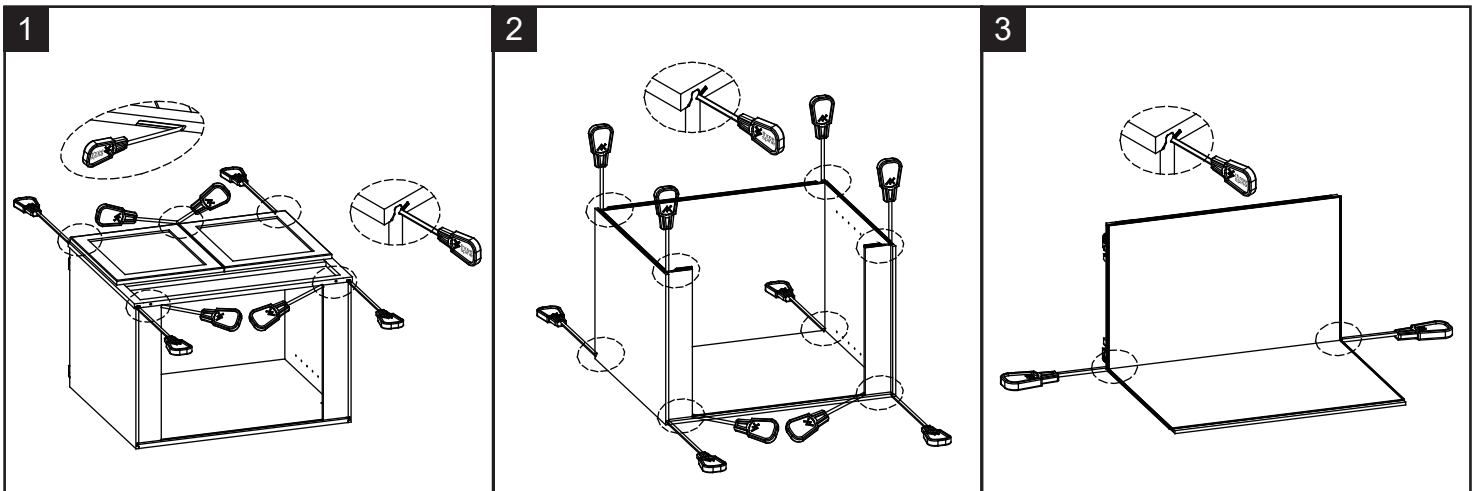
Material de ferretería usado

- | | | | |
|-----------|-----------------|--|-----|
| 15 | Soporte lateral | | x 4 |
| 16 | Soporte frontal | | x 2 |

DESENSAMBLAR



1. Insertar la llave de liberación en el agujero triangular.
2. La llave de liberación debe estar completamente insertada.
3. Necesitará más de 1 para algunos paneles.
4. Es importante que las llaves de liberación en los lados se toquen para asegurar que el arco este desbloqueado.



CUIDADO Y MANTENIMIENTO

Para limpiar y cuidar su mueble:

- Usar una toalla suave y limpia que no rayará la superficie al despolvorear.
- Usar cera para mueble no es necesario. Hoy si desea usar ceras, hola pruebe primero en un área oculta.
- Usar solventes de cualquier tipo en su mueble puede dañar el acabado.
- Nunca usar agua para limpiar su mueble porque puede dañar el acabado.
- Líquidos derramados se deben retirar inmediatamente. Usando una toalla suave y limpia, limpiar el derrame gentilmente. Evitar frotar.
- Rayaduras o marcas de crayones o marcadores serán difíciles de retirar.t
- En el evento de que su mueble se manche u otra forma se dañe durante el uso, recomendamos llamar a un profesional para reparar su mueble.

CUIDANDO SU MUEBLE DE MADERA

- Es mejor mantener su mueble en un ambiente controlado. Temperatura extrema y cambios de humedad pueden causar desvanecimiento, hundimientos, encogimientos y divisiones de la madera. Se sugiere mantener el mueble fuera de la luz solar directa porque puede dañar el acabado.
- El cuidado apropiado y limpieza en la casa puede extender la vida de su compra. Siguiendo estas importantes y beneficiosas consejos puede mejorar su mueble mientras se envejece.

GARANTÍA LIMITADA DE UN AÑO

La garantía de este producto es válida para el comprador original. Si esta unidad presenta alguna falla debido a defectos en los materiales o la mano de obra, el fabricante reemplazará o reparará a su discreción este artículo sin cargos. La garantía se anula si el producto no se ensambló correctamente y debido al mal uso, abuso por sobrecarga, modificación de cualquier tipo o daños producidos por un accidente. Esta garantía no es transferible y no cubre el desportillado, desprendimiento, rayones, oxidación, abolladuras u otros daños en la superficie de este producto. La responsabilidad del fabricante se limita a la reparación o el reemplazo de este producto. El fabricante no se hará responsable por daños accidentales o resultantes u otros daños o pérdidas causadas por fallas del producto.

Esta garantía reemplaza a todas las demás garantías explícitas. Algunos estados no permiten la exclusión o limitación de los daños accidentales o resultantes, de modo que las limitaciones anteriores pueden no aplicarse en su caso. Esta garantía le otorga derechos legales específicos y podría tener otros derechos, que varían según el estado.

LISTA PARA PARTES DE REEMPLAZO

Para partes de reemplazo, llame nuestro departamento de servicio al cliente al 1-866-942-5362, 8:30 am – 4:30 pm, PST, Lunes a Viernes.

PARTE	DESCRIPCION	PARTE # (Blanco)	CUBIERTO POR LA GARANTÍA
1	Panel izquierdo	00LWSCCLICK34.5LSP-1	NO
2	Panel derecho	00LWSCCLICK34.5RSP-2	NO
3	Panel posterior	00LWSCCLICK-09-03,00LWSCCLICK-10-03,00LWSCCLICK-11-03, 00LWSCCLICK-12-03	NO
4	Panel inferior	00LWSCCLICK18BP-4,00LWSCCLICK24BP-4,00LWSCCLICK30BP-4, 00LWSCCLICK36BP-4	NO
5	Entrepaño ajustable	00LWSCCLICK18SHLF-5,00LWSCCLICK24SHLF-5, 00LWSCCLICK30SHLF-5,00LWSCCLICK36SHLF-5	NO
6	Riel superior izquierdo	00LWSCCLICK18TLP-6,00LWSCCLICK24TLP-6, 00LWSCCLICK30TLP-6,00LWSCCLICK36TLP-6	NO
7	Riel superior derecho	00LWSCCLICK18TRP-7,00LWSCCLICK24TRP-7, 00LWSCCLICK30TRP-7,00LWSCCLICK36TRP-7	NO
8	Frente del cajón	00LWSCCLICK-09-08,00LWSCCLICK-10-08, 00LWSCCLICK-11-08,00LWSCCLICK-12-08	NO
9	Marco de puerta con puerta	00LWSCCLICK-09-09,00LWSCCLICK-10-09, 00LWSCCLICK-11-09,00LWSCCLICK-12-09	NO
10	Panel del cajón lateral izquierdo	00LWSCCLICK120MMBCDLP-10	NO
11	Panel del cajón lateral derecho	00LWSCCLICK120MMBCDRP-11	NO
12	Panel posterior del cajón	00LWSCCLICK-09-12,00LWSCCLICK-10-12,00LWSCCLICK-11-12, 00LWSCCLICK-12-12	NO
13	Panel inferior del cajón	00LWSCCLICK-09-13,00LWSCCLICK-10-13,00LWSCCLICK-11-13, 00LWSCCLICK-12-13	NO

PARTE	DESCRIPCION	PARTE # (Gris)	CUBIERTO POR LA GARANTÍA
1	Panel izquierdo	00LWSCCLICK34.5LSPG-1	NO
2	Panel derecho	00LWSCCLICK34.5RSPG-2	NO
3	Panel posterior	00LWSCCLICK-09G-03,00LWSCCLICK-10G-03,00LWSCCLICK-11G-03, 00LWSCCLICK-12G-03	NO
4	Panel inferior	00LWSCCLICK18BPG-4,00LWSCCLICK24BPG-4,00LWSCCLICK30BPG-4, 00LWSCCLICK36BPG-4	NO
5	Entrepaño ajustable	00LWSCCLICK18SHLFG-5,00LWSCCLICK24SHLFG-5, 00LWSCCLICK30SHLFG-5,00LWSCCLICK36SHLFG-5	NO
6	Riel superior izquierdo	00LWSCCLICK18TLPG-6,00LWSCCLICK24TLPG-6, 00LWSCCLICK30TLPG-6,00LWSCCLICK36TLPG-6	NO
7	Riel superior derecho	00LWSCCLICK18TRPG-7,00LWSCCLICK24TRPG-7, 00LWSCCLICK30TRPG-7,00LWSCCLICK36TRPG-7	NO
8	Frente del cajón	00LWSCCLICK-09G-08,00LWSCCLICK-10G-08, 00LWSCCLICK-11G-08,00LWSCCLICK-12G-08	NO
9	Marco de puerta con puerta	00LWSCCLICK-09G-09,00LWSCCLICK-10G-09, 00LWSCCLICK-11G-09,00LWSCCLICK-12G-09	NO
10	Panel del cajón lateral izquierdo	00LWSCCLICK120MMBCDLPG-10	NO
11	Panel del cajón lateral derecho	00LWSCCLICK120MMBCDRPG-11	NO
12	Panel posterior del cajón	00LWSCCLICK-09G-12,00LWSCCLICK-10G-12,00LWSCCLICK-11G-12, 00LWSCCLICK-12G-12	NO
13	Panel inferior del cajón	00LWSCCLICK-09G-13,00LWSCCLICK-10G-13,00LWSCCLICK-11G-13, 00LWSCCLICK-12G-13	NO

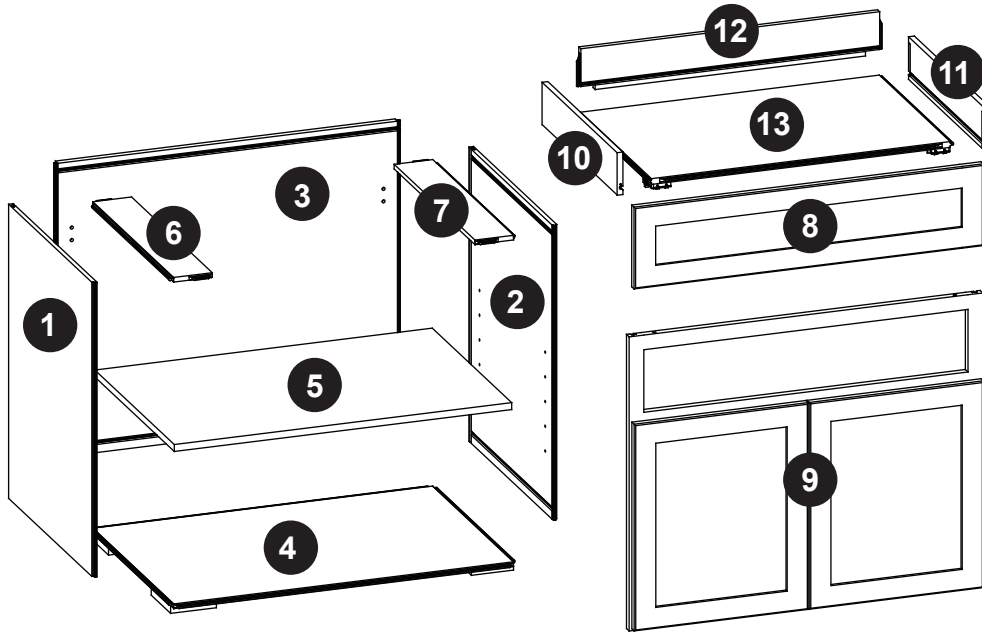
LISTA PARA PARTES DE REEMPLAZO

Para partes de reemplazo, llame nuestro departamento de servicio al cliente al 1-866-942-5362, 8:30 am – 4:30 pm, PST, Lunes a Viernes.

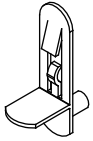
PARTE	DESCRIPCION	PARTE # (Light Wood)	CUBIERTO POR LA GARANTÍA
1	Panel izquierdo	00LWSCLICK34.5LSPLW-1	NO
2	Panel derecho	00LWSCLICK34.5RSPLW-2	NO
3	Panel posterior	00LWSCLICK-09LW-03,00LWSCLICK-10LW-03,00LWSCLICK-11LW-03, 00LWSCLICK-12LW-03	NO
4	Panel inferior	00LWSCLICK18BPLW-4,00LWSCLICK24BPLW-4,00LWSCLICK30BPLW-4, 00LWSCLICK36BPLW-4	NO
5	Entrepaño ajustable	00LWSCLICK18SHLFLW-5,00LWSCLICK24SHLFLW-5, 00LWSCLICK30SHLFLW-5,00LWSCLICK36SHLFLW-5	NO
6	Riel superior izquierdo	00LWSCLICK18TLPLW-6,00LWSCLICK24TLPLW-6, 00LWSCLICK30TLPLW-6,00LWSCLICK36TLPLW-6	NO
7	Riel superior derecho	00LWSCLICK18TRPLW-7,00LWSCLICK24TRPLW-7, 00LWSCLICK30TRPLW-7,00LWSCLICK36TRPLW-7	NO
8	Frente del cajón	00LWSCLICK-09LW-08,00LWSCLICK-10LW-08, 00LWSCLICK-11LW-08,00LWSCLICK-12LW-08	NO
9	Marco de puerta con puerta	00LWSCLICK-09LW-09,00LWSCLICK-10LW-09, 00LWSCLICK-11LW-09,00LWSCLICK-12LW-09	NO
10	Panel del cajón lateral izquierdo	00LWSCLICK120MMBCDLPLW-10	NO
11	Panel del cajón lateral derecho	00LWSCLICK120MMBCDRPLW-11	NO
12	Panel posterior del cajón	00LWSCLICK-09LW-12,00LWSCLICK-10LW-12,00LWSCLICK-11LW-12, 00LWSCLICK-12LW-12	NO
13	Panel inferior del cajón	00LWSCLICK-09LW-13,00LWSCLICK-10LW-13,00LWSCLICK-11LW-13, 00LWSCLICK-12LW-13	NO
14	Soporte del entrepaño	00LWSCLICK-SS	NO
15	Conjunto de pie ajustable (cada uno)	00LWSCLICK-76	NO
16	Conjunto de pie ajustable (4pk)	00LWSCLICK-77	NO
17	Bisagra enmarcada con tornillos	00LWSCLICK-78	NO
18	Conjunto de guías de cajones	00LWSCLICK-79	NO
19	Llave de liberación	00LWSCLICK-RK	NO
20	Topes de silicon	00LWSCLICK-SP	NO

LISTA PARA PARTES DE REEMPLAZO

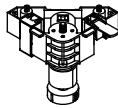
Para partes de reemplazo, llame nuestro departamento de servicio al cliente al 1-866-942-5362, 8:30 am – 4:30 pm, PST, Lunes a Viernes.



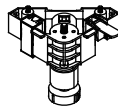
14



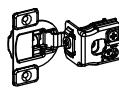
15



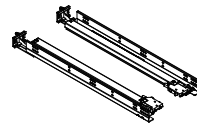
16



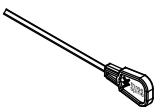
17



18



19



20



Date: 2024-09-19
Rév.. 0001-A