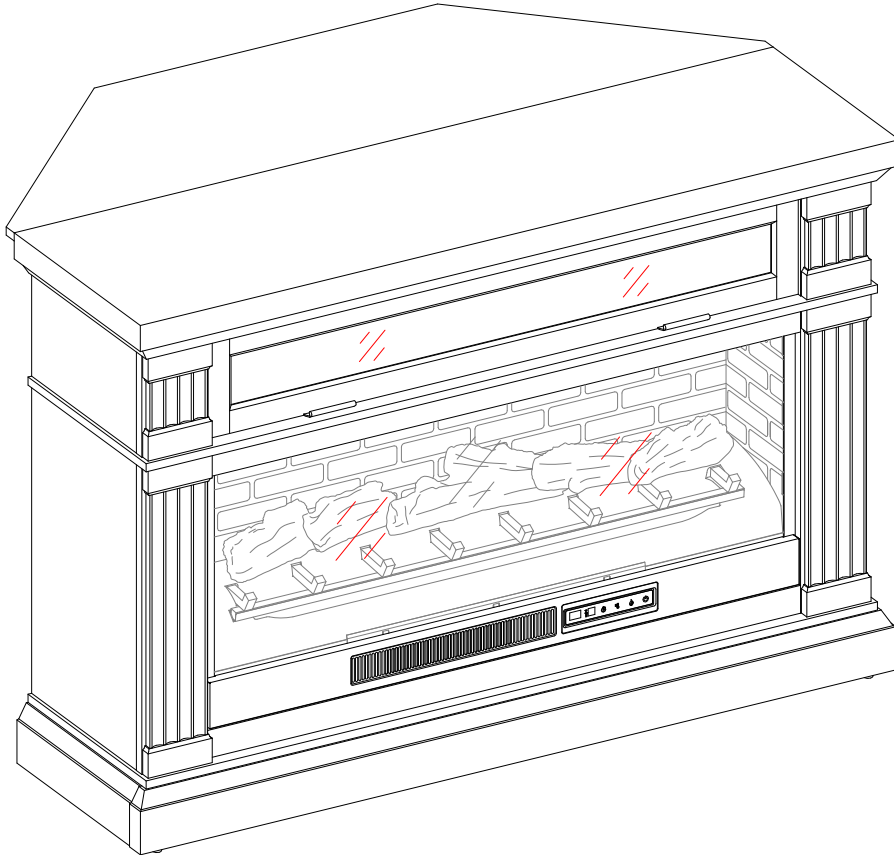


# Mansfield 54" Fireplace Console

Model # MFP54MF42HLAACY

# MFP54MF42HLALBR



## **ADULT ASSEMBLY REQUIRED**

If you have any questions regarding assembly or if parts are missing, **DO NOT** return this item to the store where it was purchased. Please call our toll-free customer service number and have your instructions and parts list ready to provide the model name, part name or factory number:

**1-866-942-5362**

Pacific Standard Time: 8:30 a.m. - 4:30 p.m., Monday - Friday

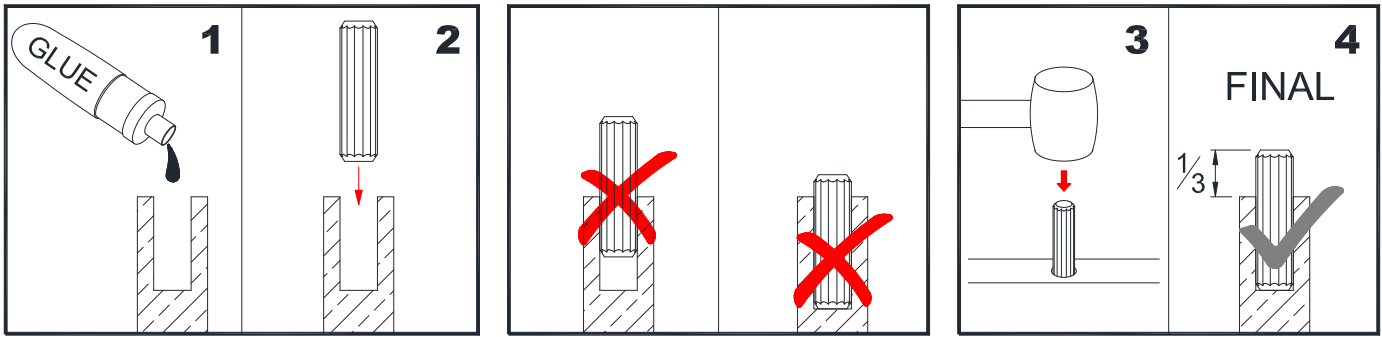
Or visit our web site 24 hours a day, 7 days a week for product assistance at

**[www.whalenfurniture.com](http://www.whalenfurniture.com)**

Or e-mail your request to **[parts@whalenfurniture.com](mailto:parts@whalenfurniture.com)**

**THIS INSTRUCTION BOOKLET CONTAINS IMPORTANT SAFETY INFORMATION.  
PLEASE READ AND KEEP FOR FUTURE REFERENCE.**

## IMPORTANT

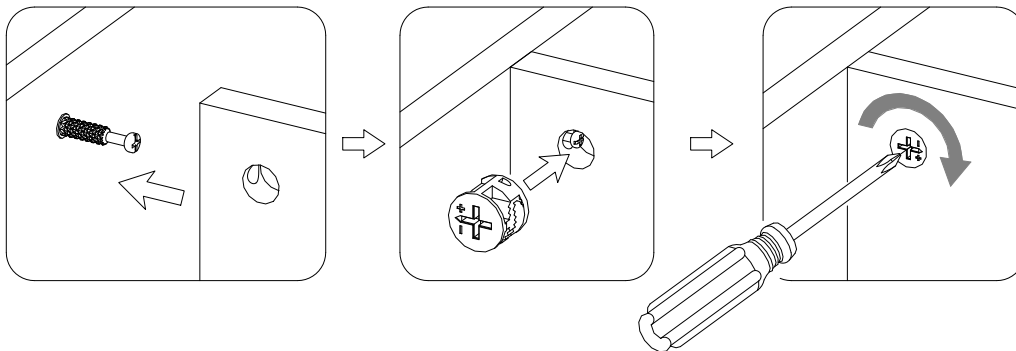


**Before you begin:** Open, identify and count all parts prior to assembly. Lay out parts on a flat and non-abrasive surface. You will need the parts identified on page 3, 4, 5 and 6 of this instruction manual.

**NOTE:** IT IS VERY IMPORTANT TO USE GLUE WITH DOWELS. EXCESS GLUE CAN BE WIPED OFF WITH DAMP CLOTH.

Insert the Dowel at least half way by tapping lightly with a rubber mallet, IF NECESSARY.

## CAM LOCK SYSTEM OPERATION



### HOW THE KNOCK DOWN (KD) ASSEMBLY SYSTEM WORKS

1. Screw the Cam Bolt into the pre-drilled small hole on the panel. Connect both panels together; making sure the Cam Bolt goes into the pre-drilled hole on the end of panel for the Cam Lock.
2. Insert the Cam Lock into the pre-drilled large hole on the panel. Make sure the arrow on the face of the Cam Lock faces out and points towards the Cam Bolt.
3. Take a Phillips Screwdriver and rotate the Cam Lock clockwise to lock the Cam Bolt in place.

## WARNING



**Children have died from furniture tip-over.**

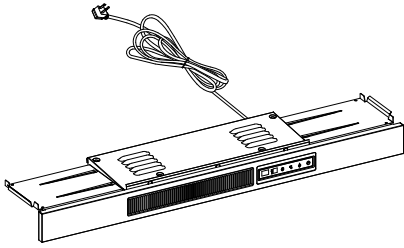
**To reduce the risk of furniture tip-over:**

- ALWAYS install anti-tip device restraint provided.
- FOR use with televisions weighing 36.3 kg (80 lb) or less. Use with heavier televisions may result in instability causing tip-over resulting in death or serious injury.
- NEVER allow children to stand, climb or hang on any drawers, doors, or shelves.
- NEVER open more than one drawer at a time.
- Place heaviest items in the lowest drawers.

**Use of tip-over restraints may only reduce, but not eliminate, the risk of tip-over.**

## Parts and Hardware List

Please read the instructions thoroughly and verify that all listed parts and hardware are present before beginning assembly.



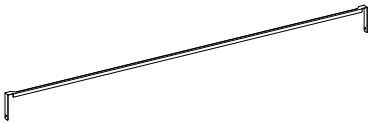
A- Heater  
(Qty. 1)



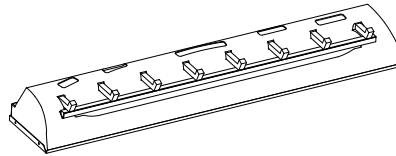
B- Left Upright Arm  
(Qty. 1)



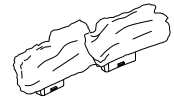
C- Right Upright Arm  
(Qty. 1)



D- Connector Strap  
(Qty. 1)



E- Ember Bed  
(Qty. 1)



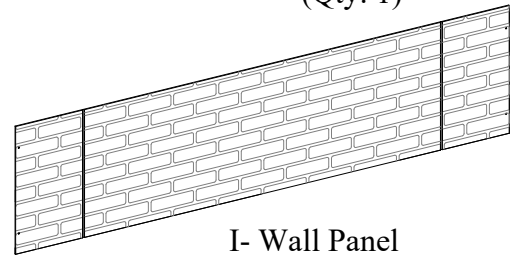
F- Left Log  
(Qty. 1)



G- Middle Log  
(Qty. 1)



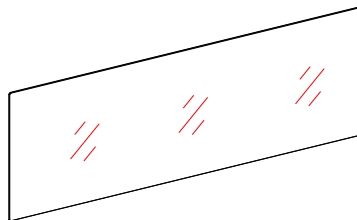
H- Right Log  
(Qty. 1)



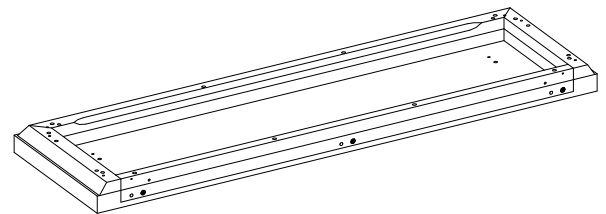
I- Wall Panel  
(Qty. 1)



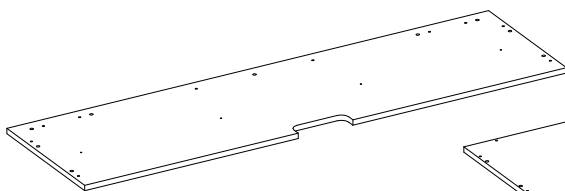
J- Remote Control with Battery  
(Qty. 1)



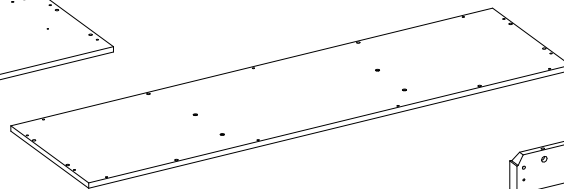
K- Glass Viewing Screen  
(Qty. 1)



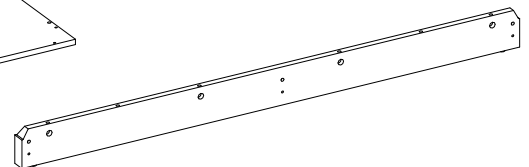
L- Top Panel  
(Qty. 1)



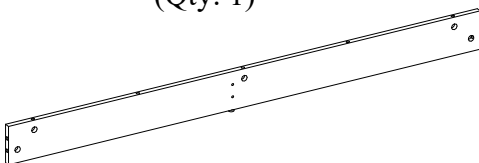
M- Media Shelf  
(Qty. 1)



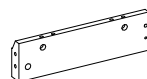
N- Bottom Panel  
(Qty. 1)



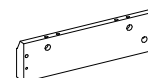
O- Front Skirting  
(Qty. 1)



P- Rear Skirting  
(Qty. 1)



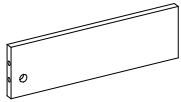
Q- Left Skirting  
(Qty. 1)



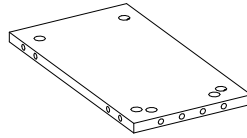
R- Right Skirting  
(Qty. 1)

# Parts and Hardware List

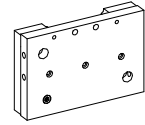
Please read the instructions thoroughly and verify that all listed parts and hardware are present before beginning assembly.



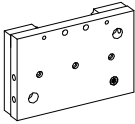
S- Bottom Stretcher  
(Qty. 1)



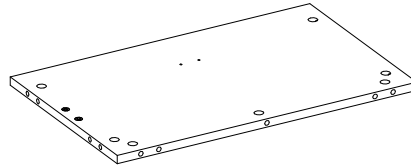
T- Upper Side Panel  
(Qty. 2)



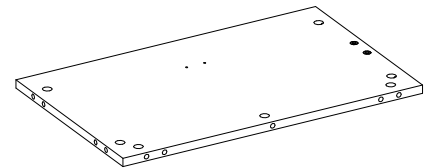
U- Upper Left Molding  
(Qty. 1)



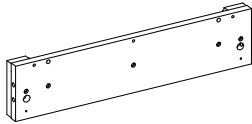
V- Upper Right Molding  
(Qty. 1)



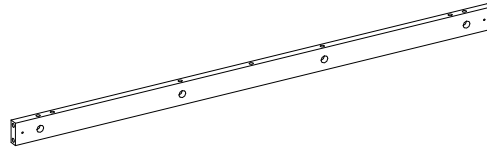
W- Lower Left Side Panel  
(Qty. 1)



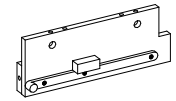
X- Lower Right Side Panel  
(Qty. 1)



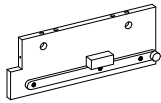
Y- Front Lower Molding  
(Qty. 2)



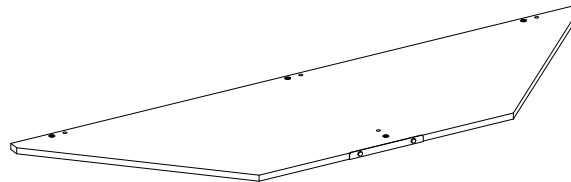
Z- Front Crossbar  
(Qty. 2)



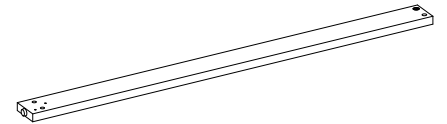
A1- Upper Left Partition  
(Qty. 1)



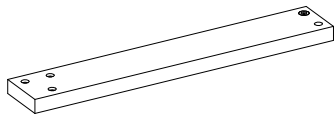
B1- Upper Right Partition  
(Qty. 1)



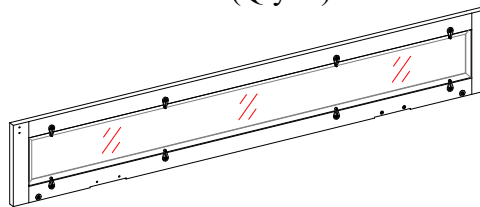
C1- Top Corner Extension  
(Qty. 1)



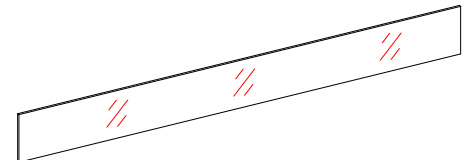
D1- Long Corner Support  
(Qty. 1)



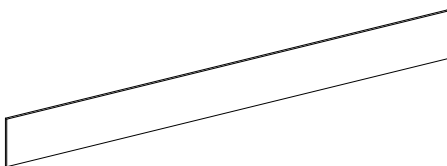
E1- Short Corner Support  
(Qty. 1)



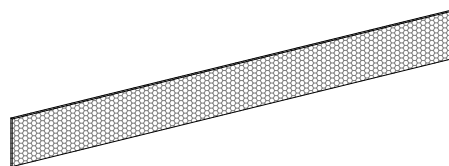
F1- Barrister Door  
(Qty. 1)



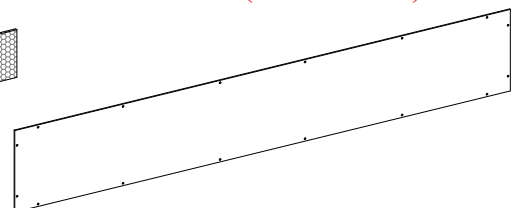
G1- Glass Door Insert (Qty. 1)  
**(Pre-attached)**



H1- Wood Door Insert  
(Qty. 1)



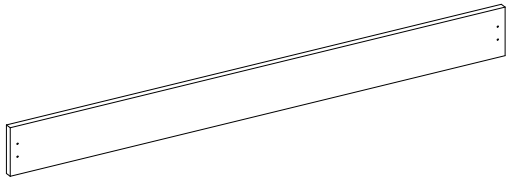
I1- Speaker Grill  
(Qty. 1)



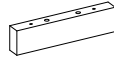
J1- Back Panel  
(Qty. 1)

## Parts and Hardware List

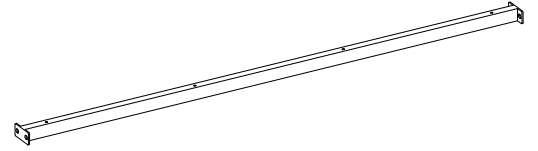
Please read the instructions thoroughly and verify that all listed parts and hardware are present before beginning assembly.



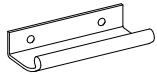
K1- Firebox Holder  
(Qty. 1)



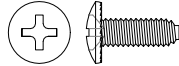
L1- Firebox Support  
(Qty. 2)



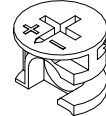
M1- Metal Stretcher  
(Qty. 1)



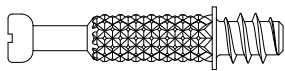
N1- Handle  
(Qty. 2)



(1) M4 x 10 mm Insert Screw  
(Qty. 10+1 extra)



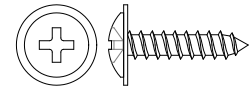
(2) Cam Lock  
(Qty. 62+2 extra)



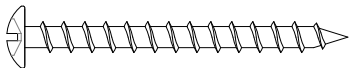
(3) Cam Bolt  
(Qty. 62+2 extra)



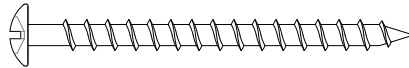
(4) M8 x 30 mm Wood Dowel  
(Qty. 67+2 extra)



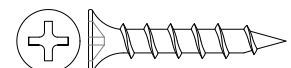
(5) M3.5 x 15 mm Washer Head Screw  
(Qty. 20+1 extra)



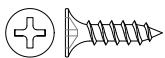
(6) M4 x 42 mm Pan Head Screw  
(Qty. 4+1 extra)



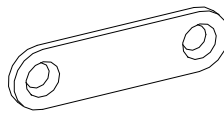
(7) M4 x 50 mm Pan Head Screw  
(Qty. 8+1 extra)



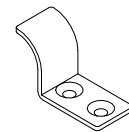
(8) M4 x 25 mm Flat Head Screw  
(Qty. 3+1 extra)



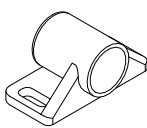
(9) M3.5 x 12 mm Flat Head Screw  
(Qty. 16+1 extra)



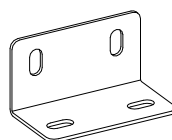
(10) Mending Plate  
(Qty. 4)



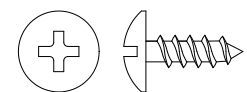
(11) Flip Bracket  
(Qty. 2)



(12) Magnetic Catch  
(Qty. 2)



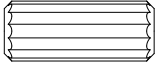
(13) L-shaped Metal Bracket  
(Qty. 2)



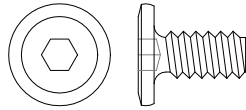
(14) M4 x 12 mm Pan Head Screw  
(Qty. 8 + 1 extra)

## Parts and Hardware List

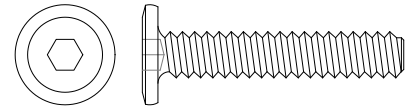
Please read the instructions thoroughly and verify that all listed parts and hardware are present before beginning assembly.



(15) M8 x 20 mm Wood Dowel  
(Qty. 2+1 extra)



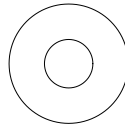
(16) 1/4" x 12 mm Bolt  
(Qty. 14+1 extra)



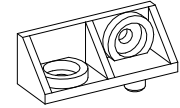
(17) 1/4" x 32 mm Bolt  
(Qty. 2+1 extra)



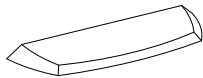
(18) Lock Washer  
(Qty. 2+1 extra)



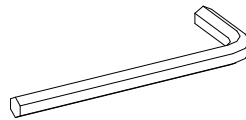
(19) Flat Washer  
(Qty. 2+1 extra)



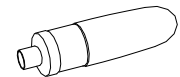
(20) Plastic Connector  
(Qty. 5)



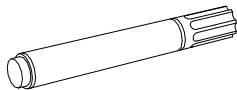
(21) Acrylic Stopper  
(Qty. 1)



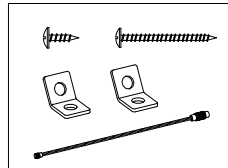
Hex Wrench  
(Qty. 1)



Glue  
(Qty. 2)



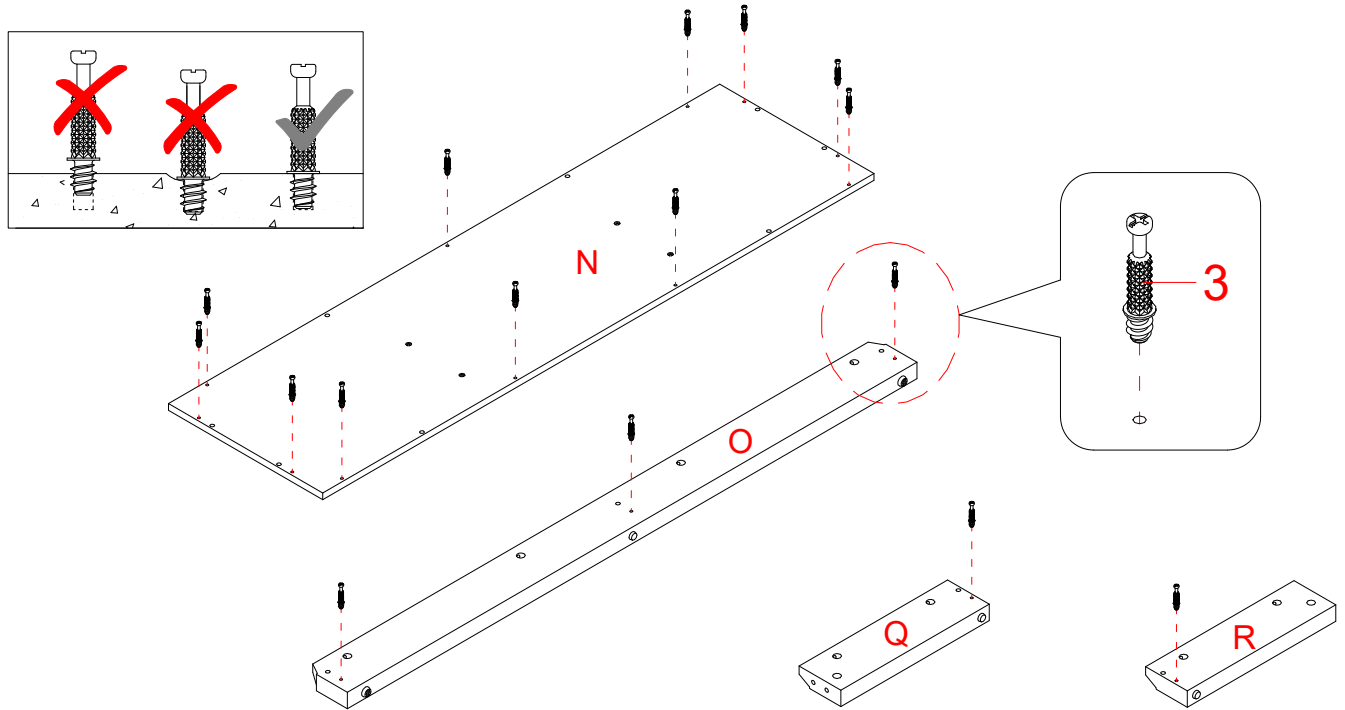
Touch-up Pen  
(Qty. 1)



Tipping Restraint Hardware Kit (Qty. 2)  
(Included in plastic bag)

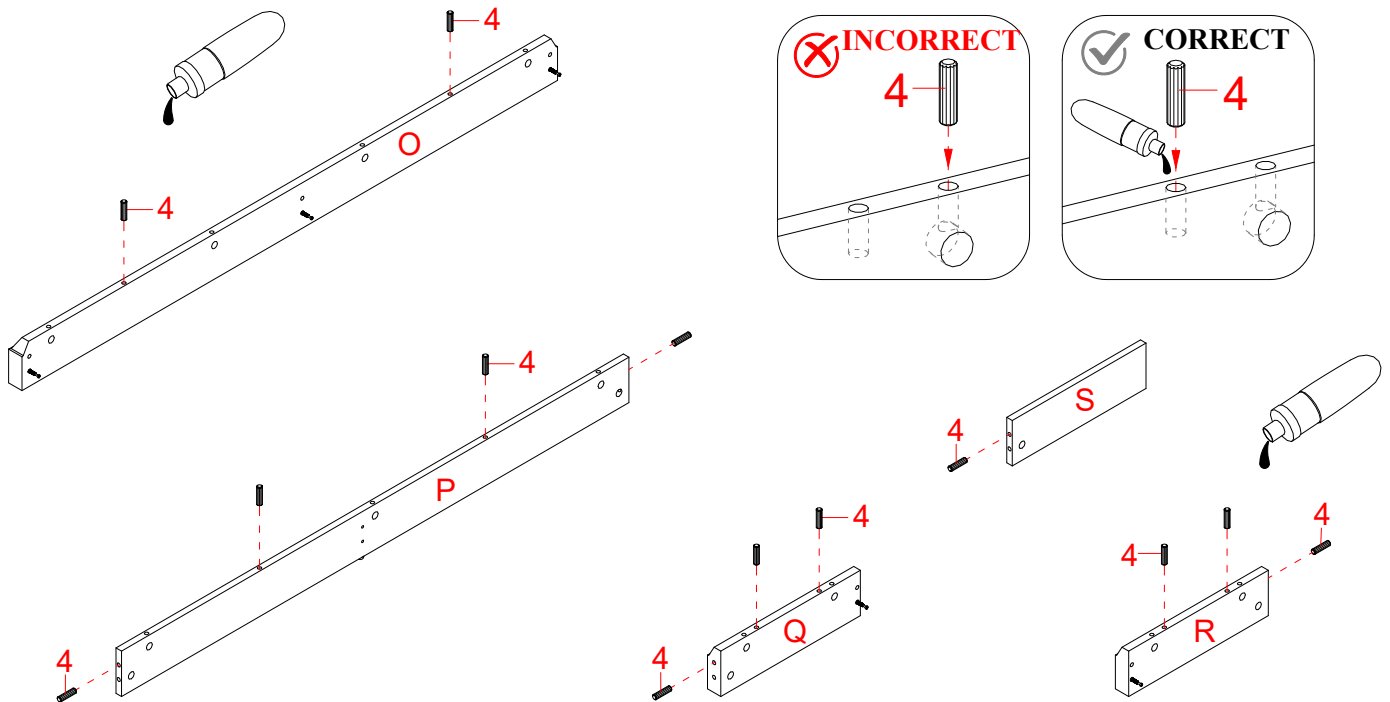
Tools required: Hex Wrench (included), Phillips screwdriver, stud finder, pencil, tape measure, rubber mallet, power drill and 1/8" drill bit (not included).

## Assembly Instructions



1. Unpack the unit and confirm that you have all the hardware and required parts. Assemble the unit on a carpeted floor or the empty carton to avoid scratches.
2. Securely screw sixteen Cam Bolts (3) into the designated small holes on the Bottom Panel (N), Skirting Panels (O, Q and R) with a Phillips screwdriver.

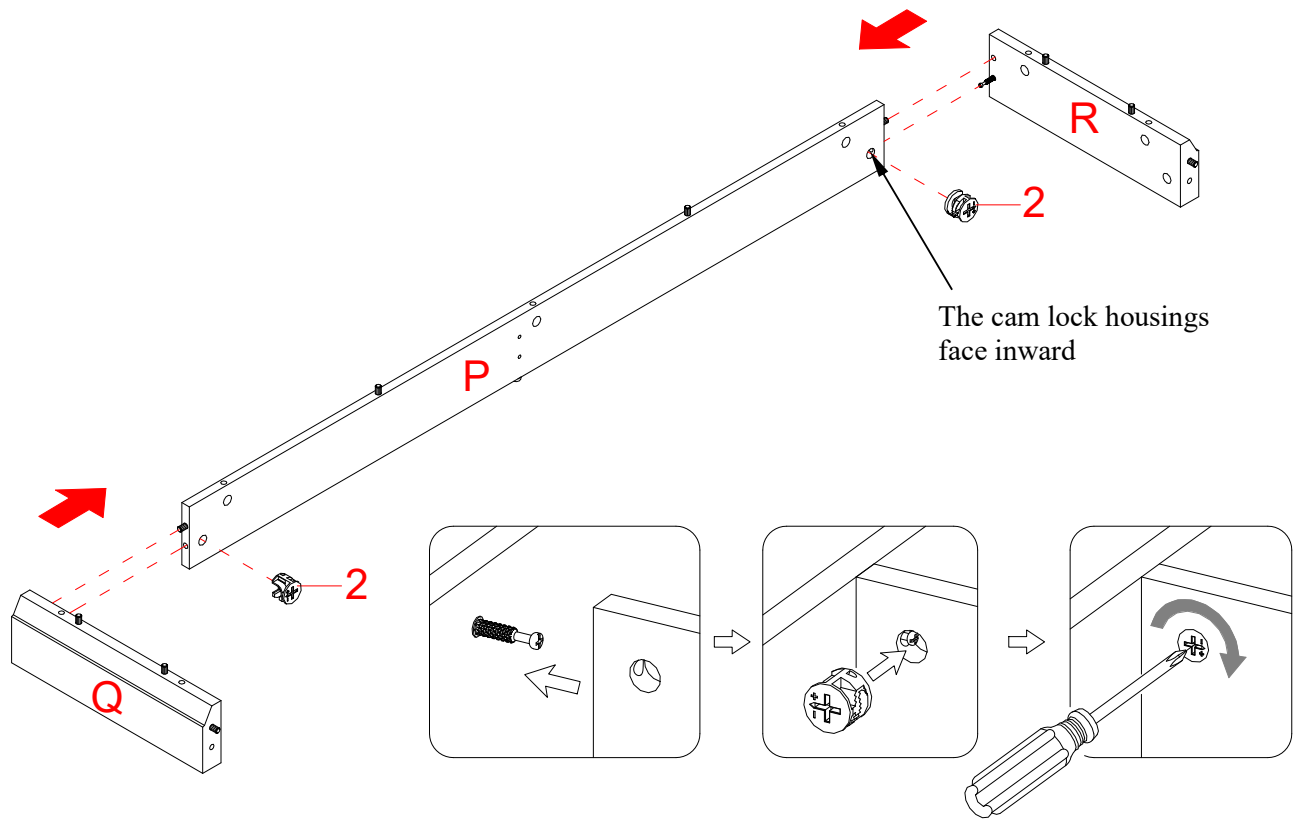
**NOTE:** Screw-in cam bolts must be screwed down flush. **DO NOT** over tighten the cam bolts.



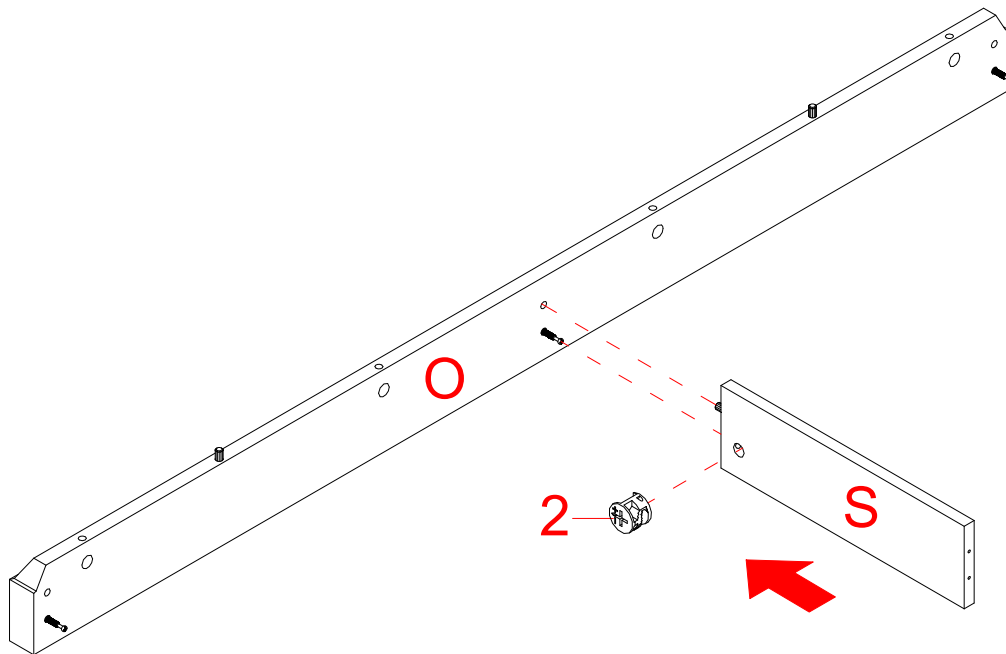
3. Glue thirteen 30 mm Wood Dowels (4) into the drilled holes on the Skirting Panels (O, P, Q and R) and Bottom Stretcher (S).

**NOTE:** It is very important to use a small amount of glue on both ends of dowels and wipe away the excess glue immediately with a damp cloth.

## Assembly Instructions

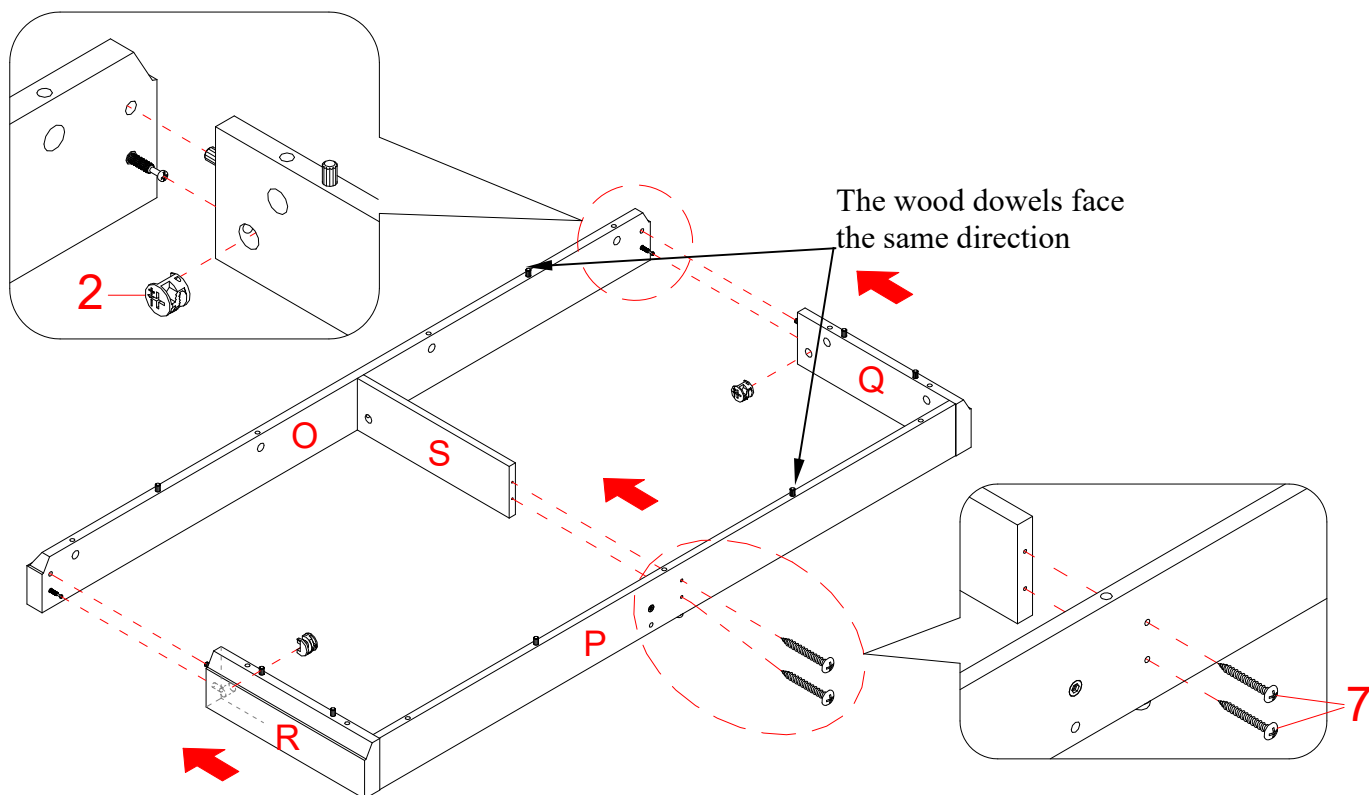


4. Orient and attach the Rear Skirting (P) between the Side Skirtings (Q and R) by engaging two Cam Locks (2). Turn the cam locks with a Phillips screwdriver until securely locked onto the cam bolts. (Refer to page 2 on Cam Lock system operation supplement).

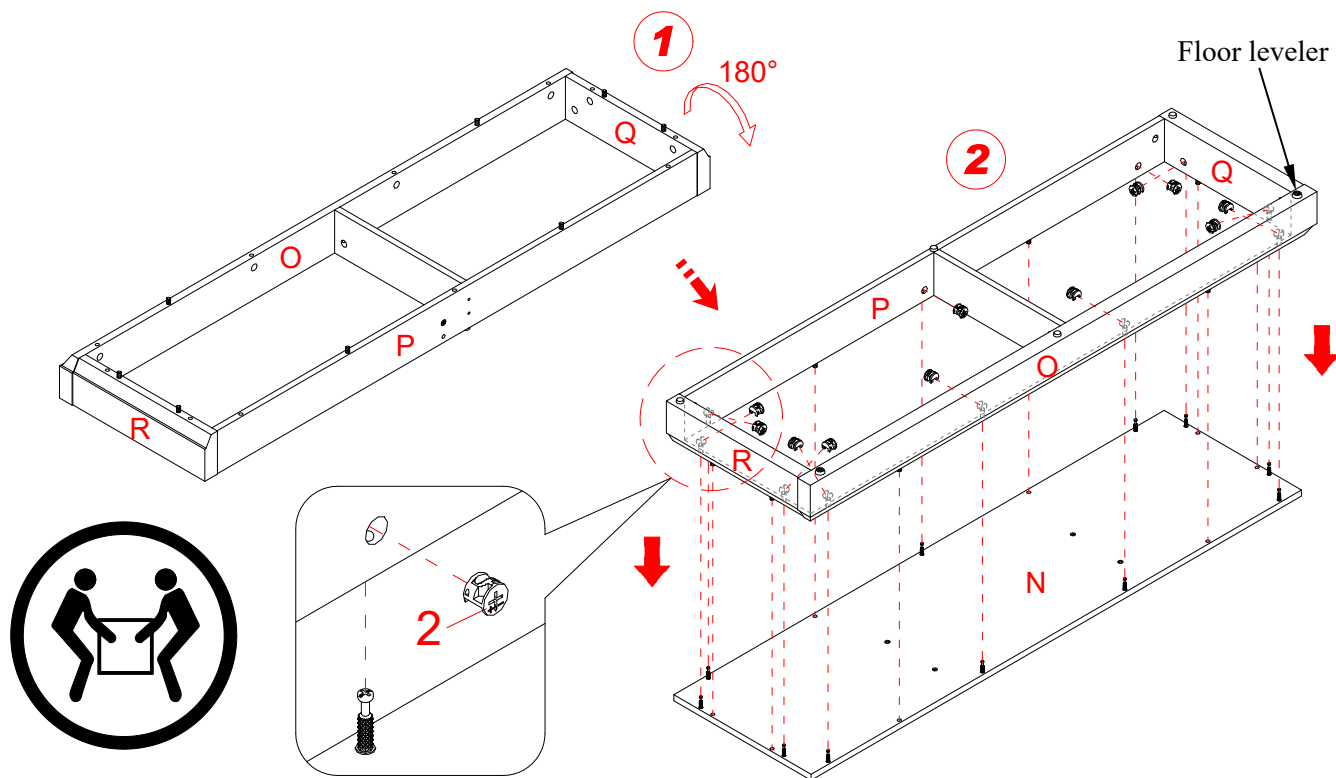


5. Orient and attach the Bottom Stretcher (S) to the Front Skirting (O) by engaging one Cam Lock (2). Turn the cam lock with a Phillips screwdriver until securely locked onto the cam bolt.

## Assembly Instructions

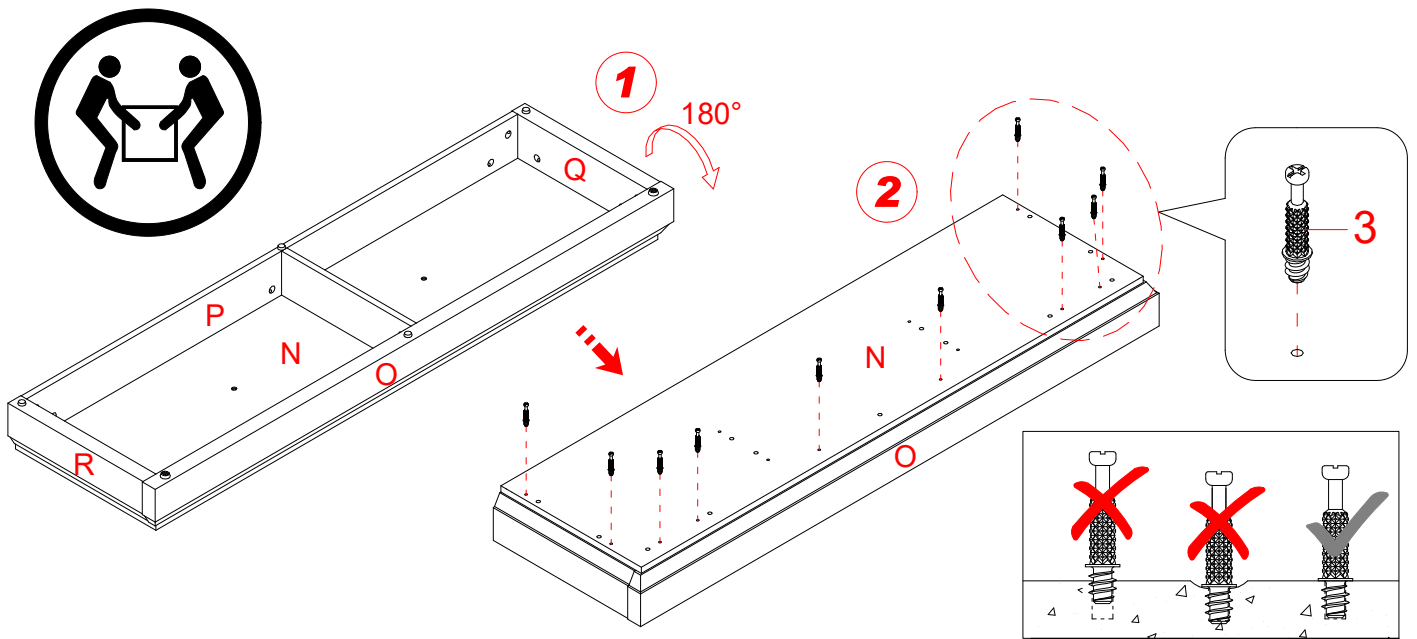


6. Orient and fasten both Side Skirtings (Q and R) to the Front Skirting (O) by engaging two Cam Locks (2). Turn the cam lock with a Phillips screwdriver until securely locked onto the cam bolt.
7. Insert two 50 mm Screws (7) through the drilled holes on the Rear Skirting (P) and screw into the Bottom Stretcher (S).



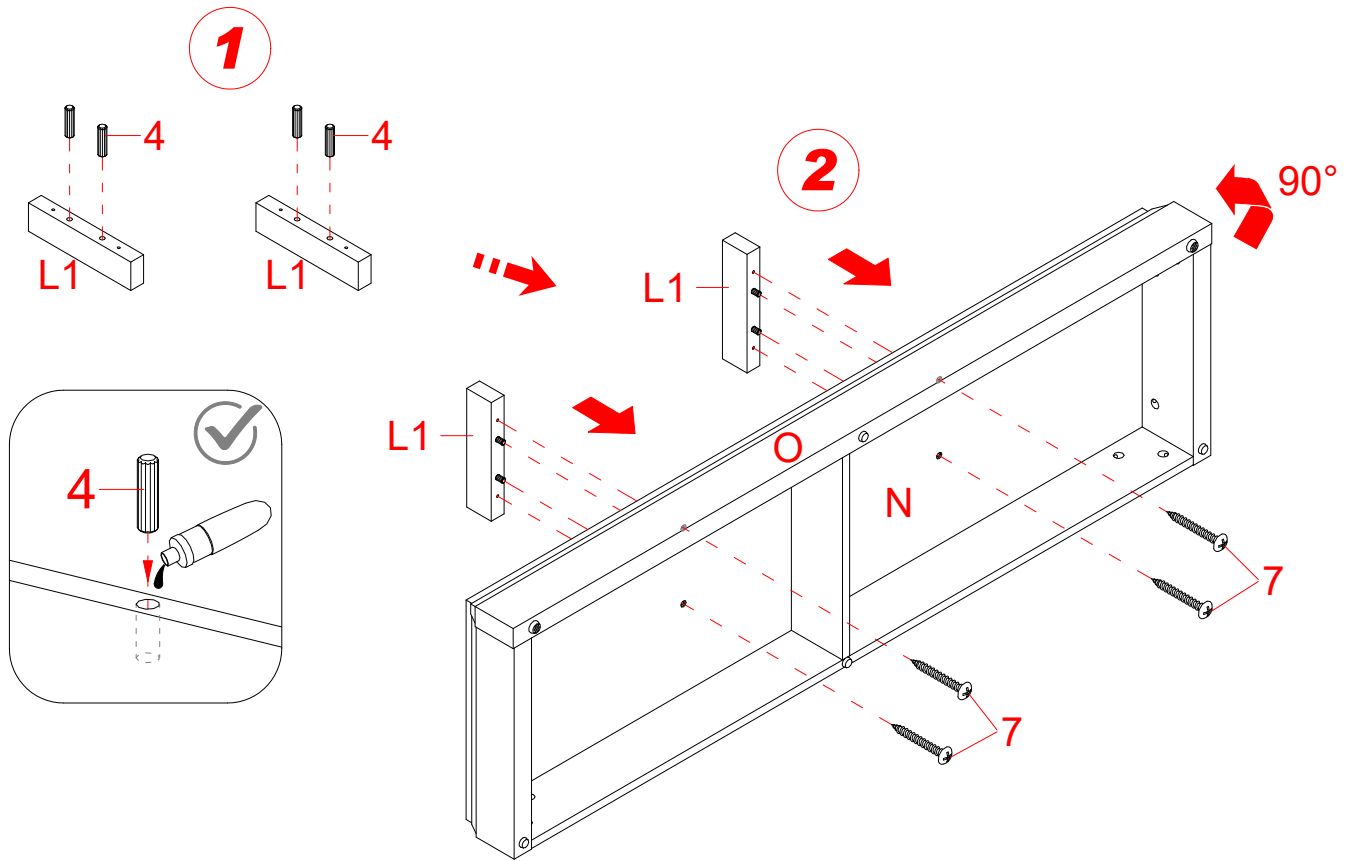
8. Align and attach the previous assembly to the Bottom Panel (N) by engaging eleven Cam Locks (2).

## Assembly Instructions



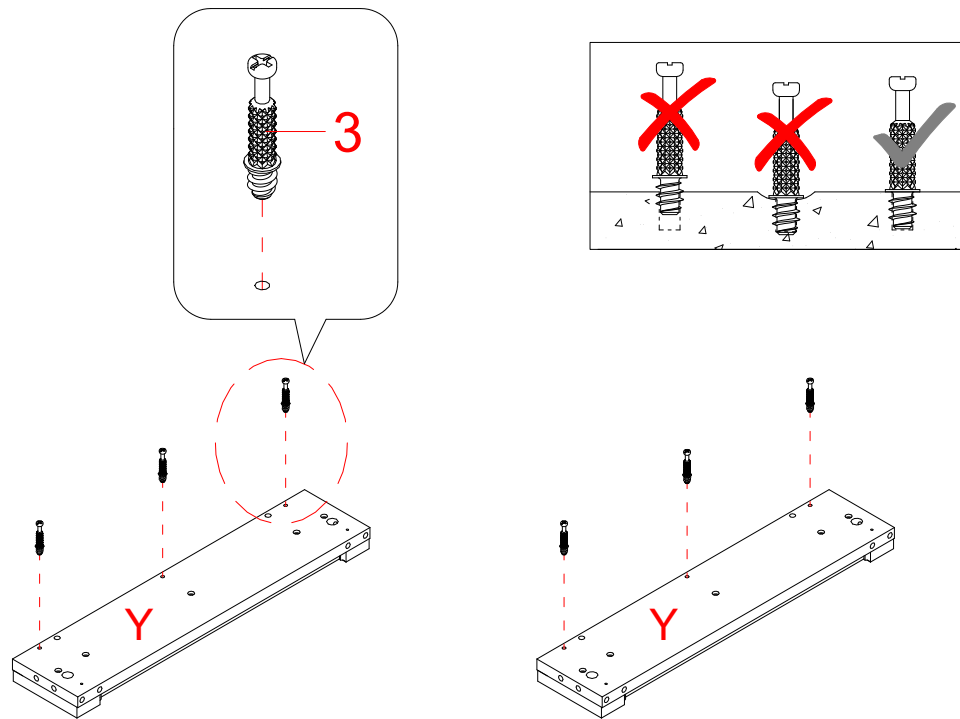
9. Ask for assistance to turn the assembled base upright.

10. Securely screw ten Cam Bolts (3) into the designated small holes on the top surface of Bottom Panel (N) using a Phillips screwdriver.

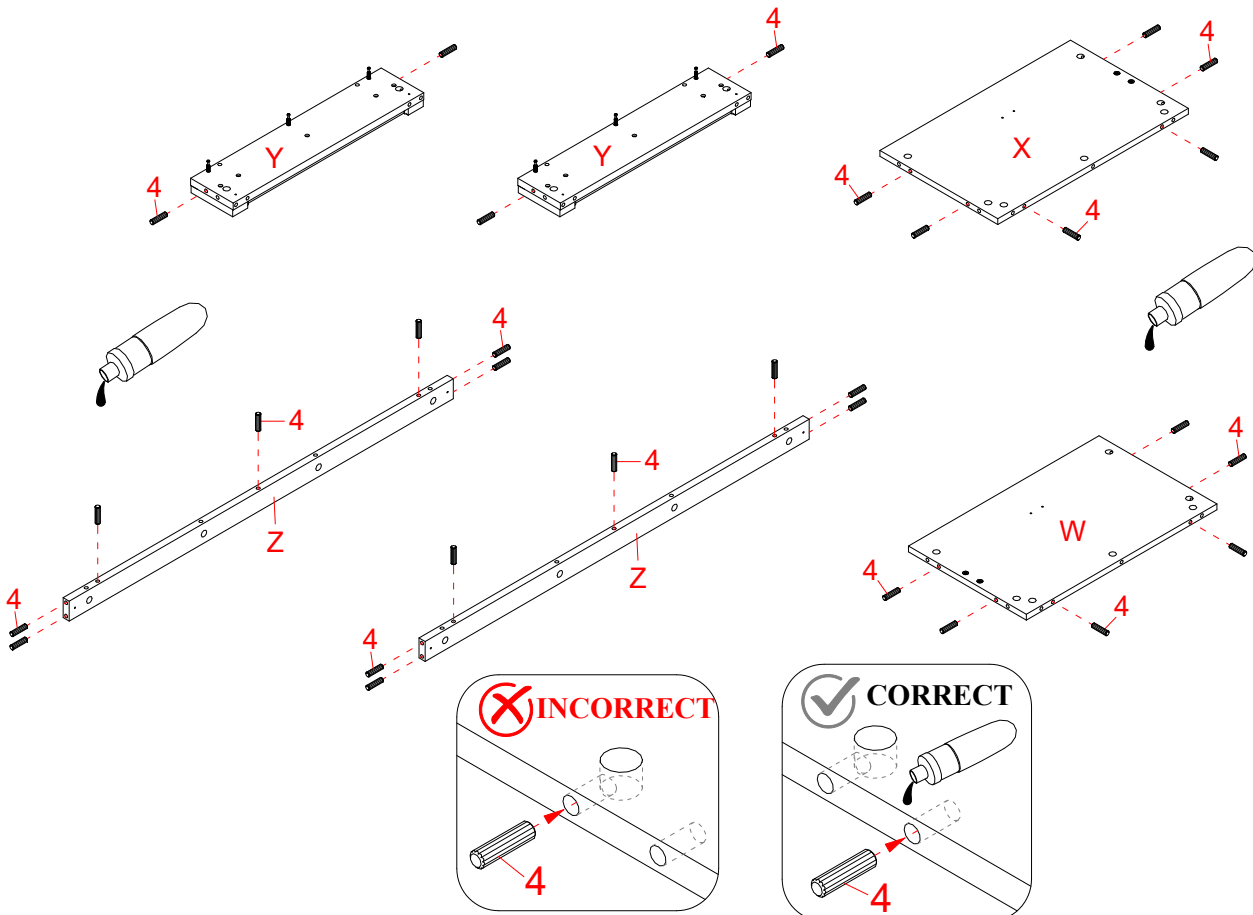


11. Glue four 30 mm Wood Dowels (4) into the drilled inner holes on the two Firebox Supports (L1) and fasten them to the Bottom Panel (N) with four 50 mm Screws (7). Tighten the screws with a Phillips screwdriver.

## Assembly Instructions

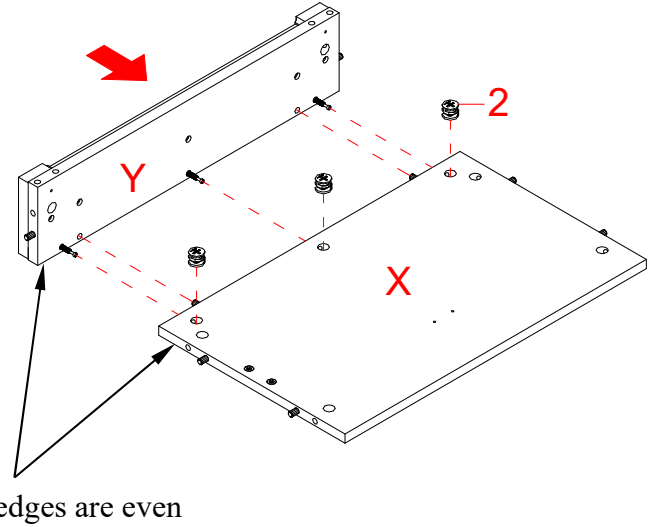
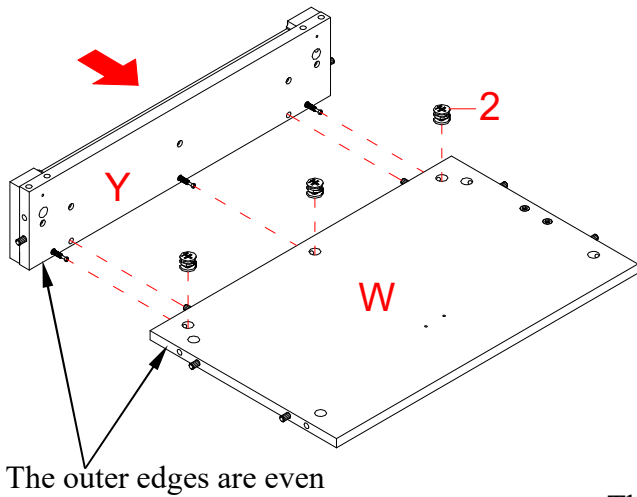


12. Securely screw six Cam Bolts (3) into the designated small holes on both Lower Moldings (Y) using a Phillips Screwdriver.

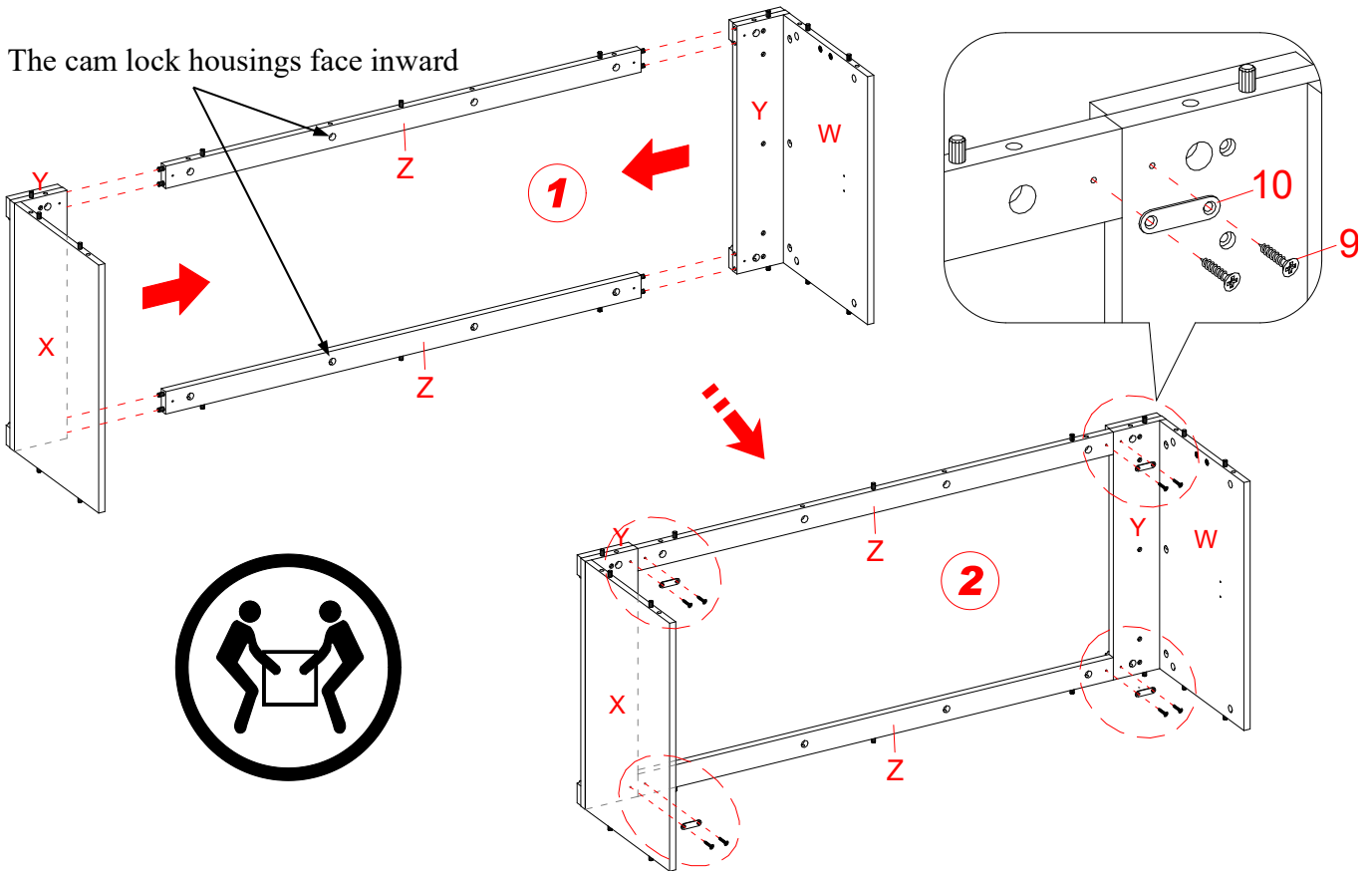


13. Glue thirty 30 mm Wood Dowels (4) into the drilled inner holes on the Lower Side Panels (W and X), Front Lower Moldings (Y) and two Front Crossbars (Z) as shown.

## Assembly Instructions

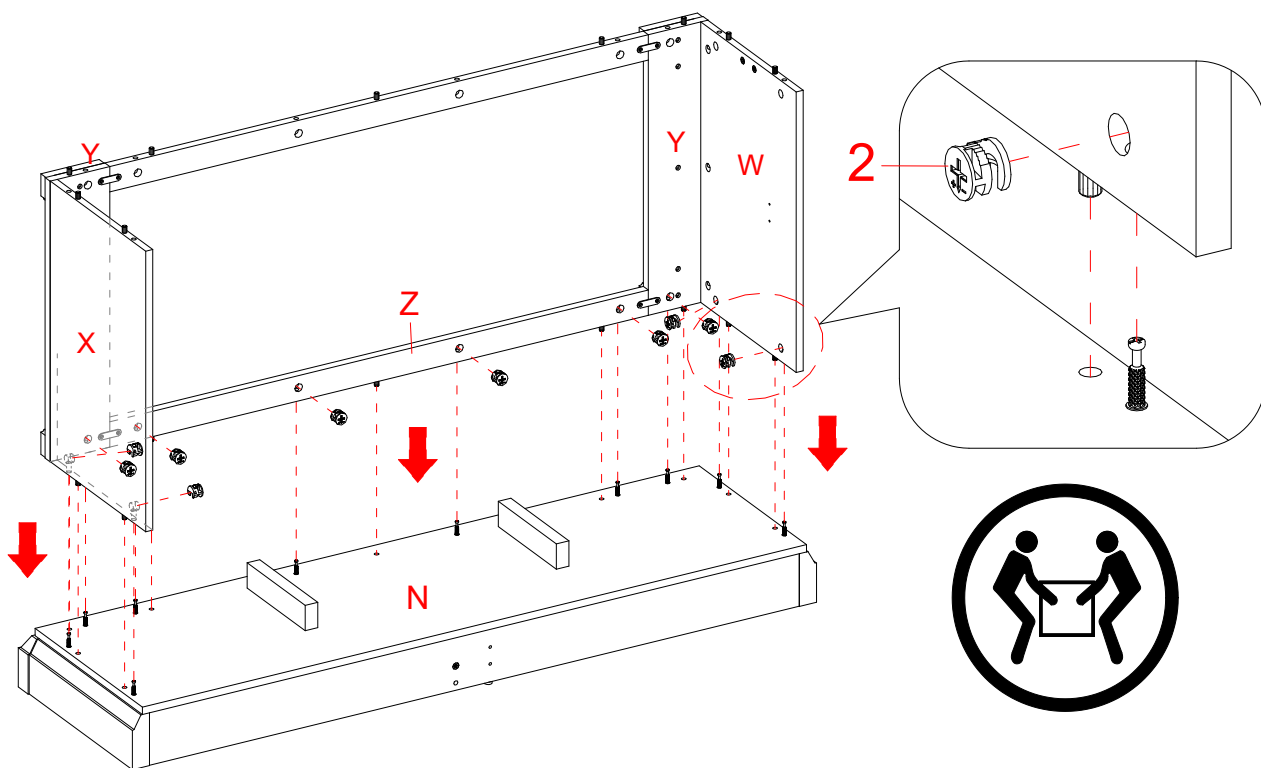


14. Align and attach one Front Lower Molding (Y) to each Lower Side Panel (W and X) respectively with three Cam Locks (2) per molding.

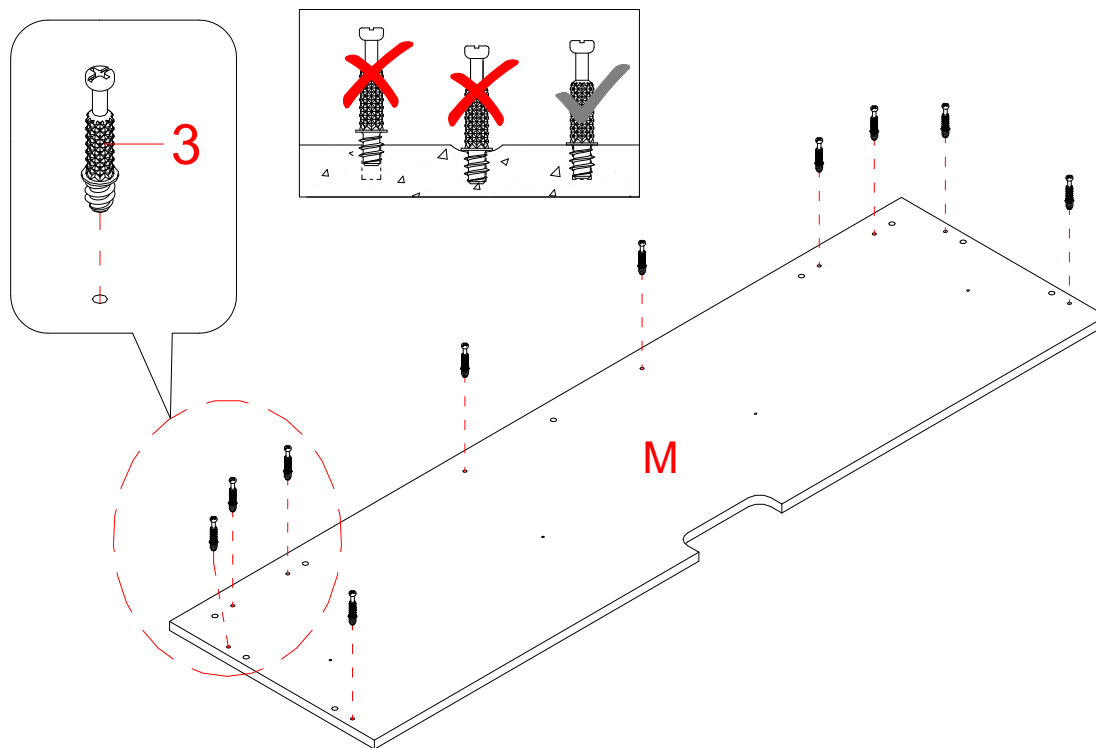


15. Orient and fasten two Front Crossbars (Z) between the Front Lower Moldings (Y) by attaching four Mending Plates (10) to the pilot holes, using two 12 mm Screws (9) per plate. Tighten the screw with a Phillips screwdriver.

## Assembly Instructions

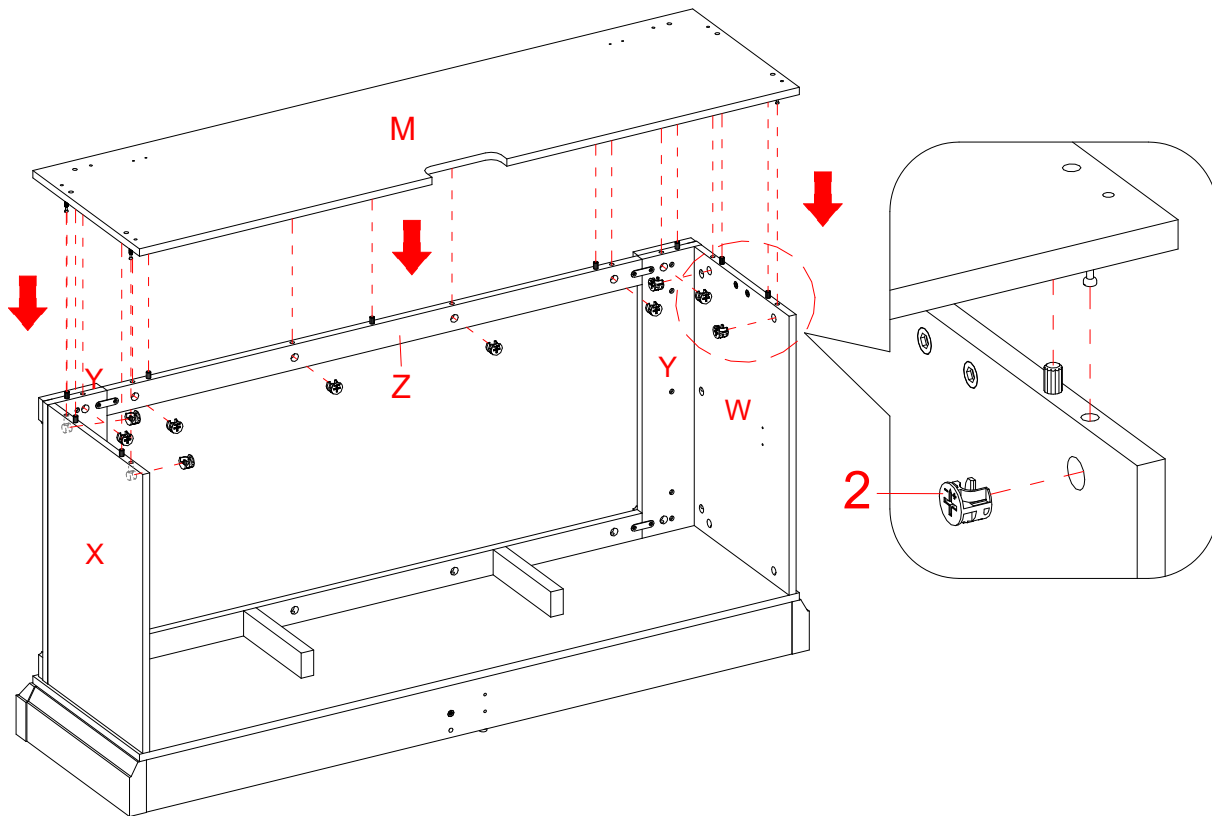


16. Position the previous assembly onto the assembled Bottom Panel (N) so that the installed Cam Bolts enter the bottom cam lock holes properly.
17. Insert ten Cam Locks (2) into the large holes and turn them with a Phillips screwdriver until securely locked onto the cam bolts.

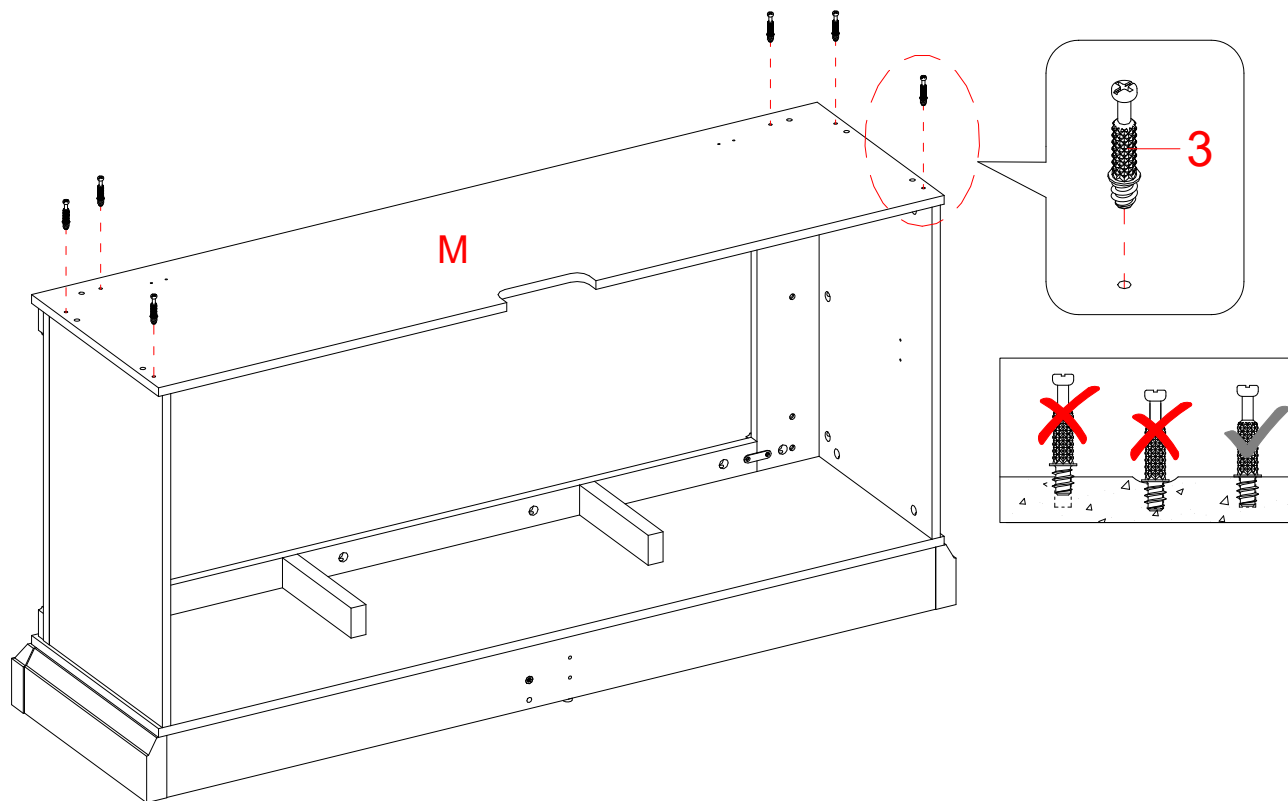


18. Screw ten Cam Bolts (3) into the designated small holes on the bottom surface of the Media Shelf (M) using a Phillips screwdriver.

## Assembly Instructions



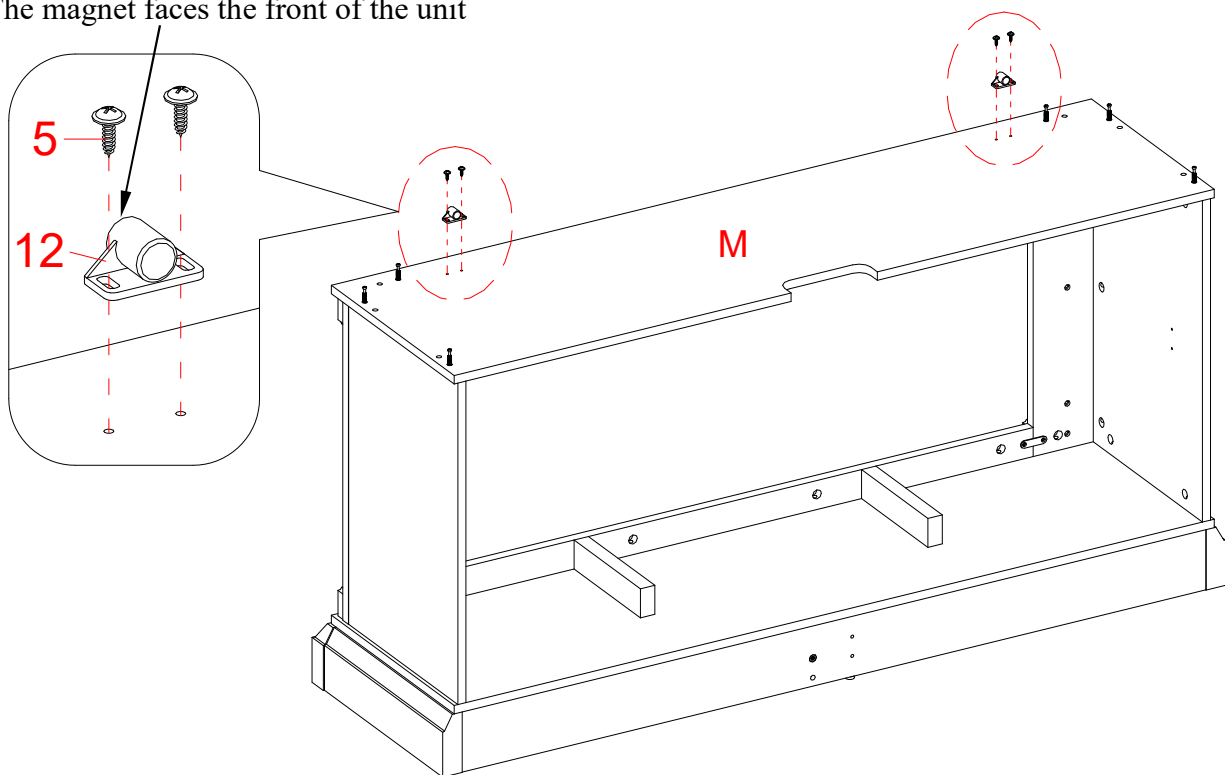
19. Align and place the Media Shelf (M) onto the vertical Panels (W, X and Y) and Front Crossbar (Z) properly and tighten it into place with ten Cam Locks (2). Turn the cam locks with a Phillips screwdriver until securely locked onto the cam bolts.



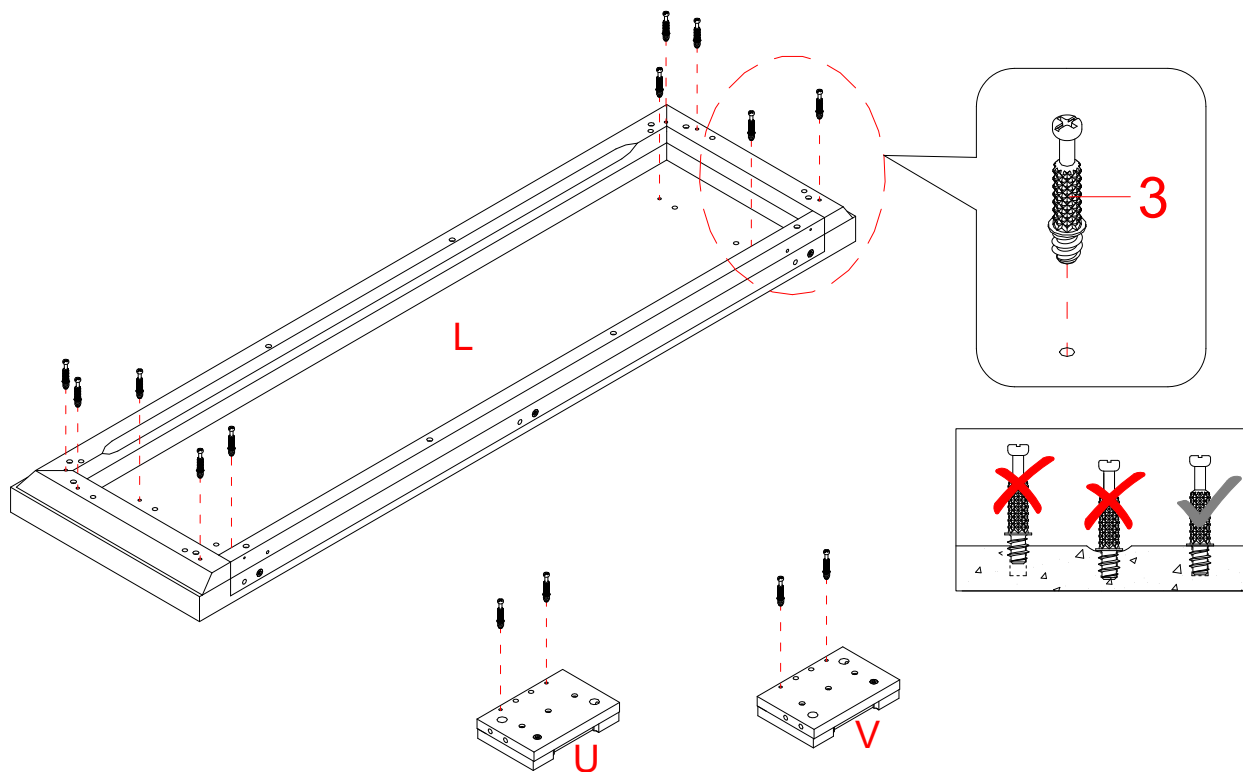
20. Securely screw six Cam Bolts (3) into the designated small holes on the top surface of Media Shelf (M) using a Phillips screwdriver.

## Assembly Instructions

The magnet faces the front of the unit

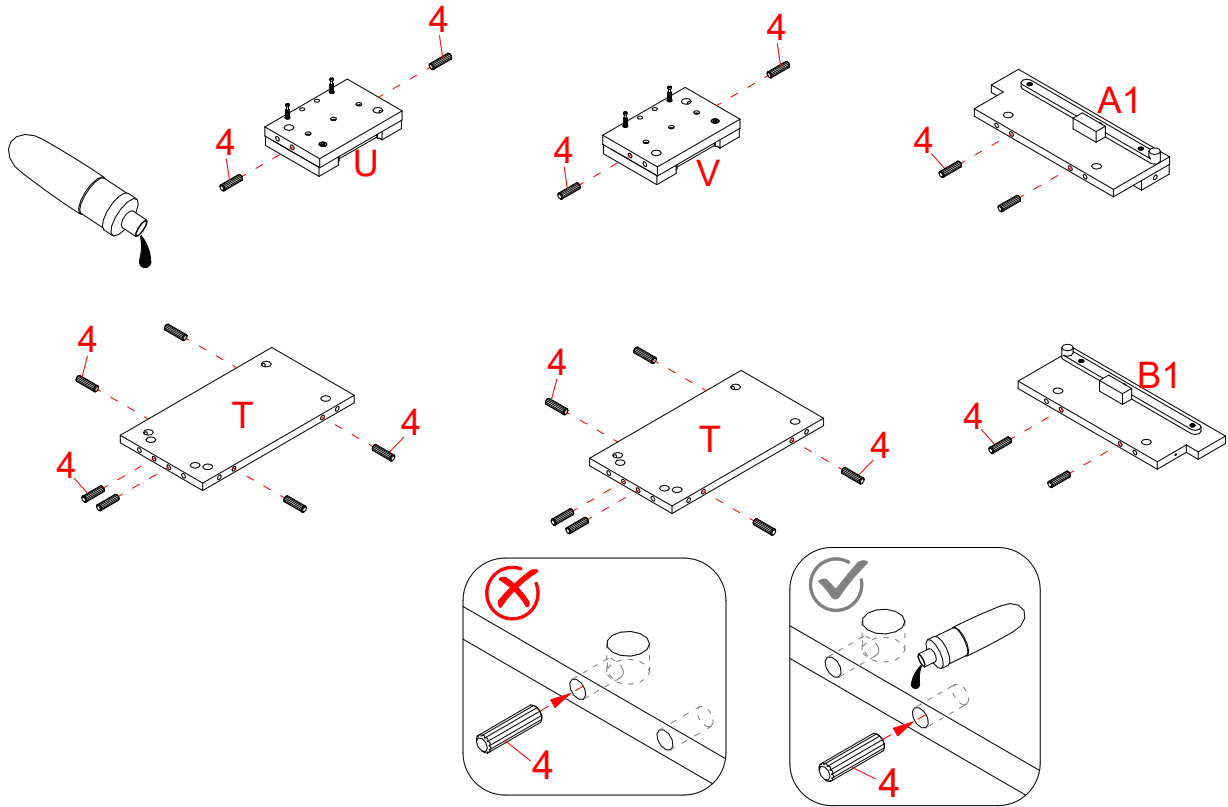


21. Install two Magnetic Catches (12) to the Media Shelf (M) with four 15 mm Washer Head Screws (5). Insert the screws through the CENTER of oval holes on both Magnetic Catches so that you can adjust them to compensate for mis-alignment.

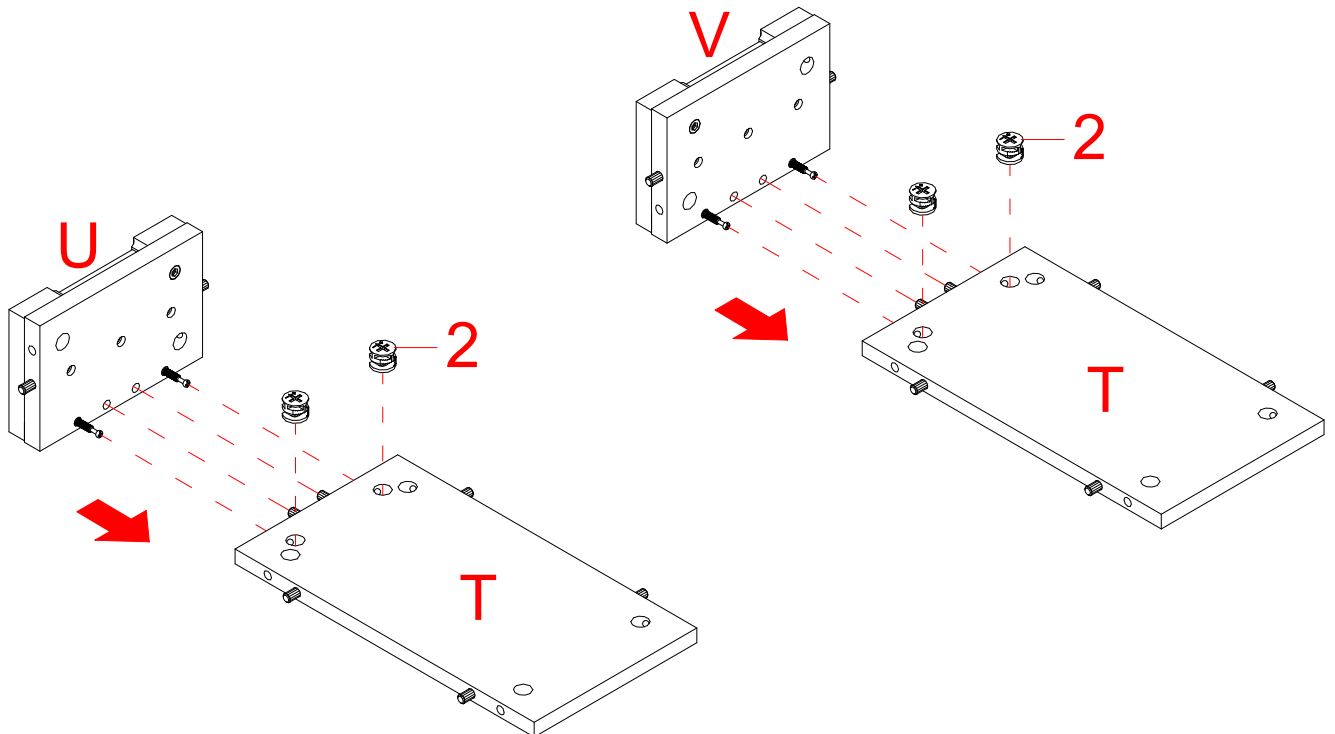


22. Screw fourteen Cam Bolts (3) into the designated small holes on the Top Panel (L) and Upper Moldings (U and V) using a Phillips screwdriver.

## Assembly Instructions

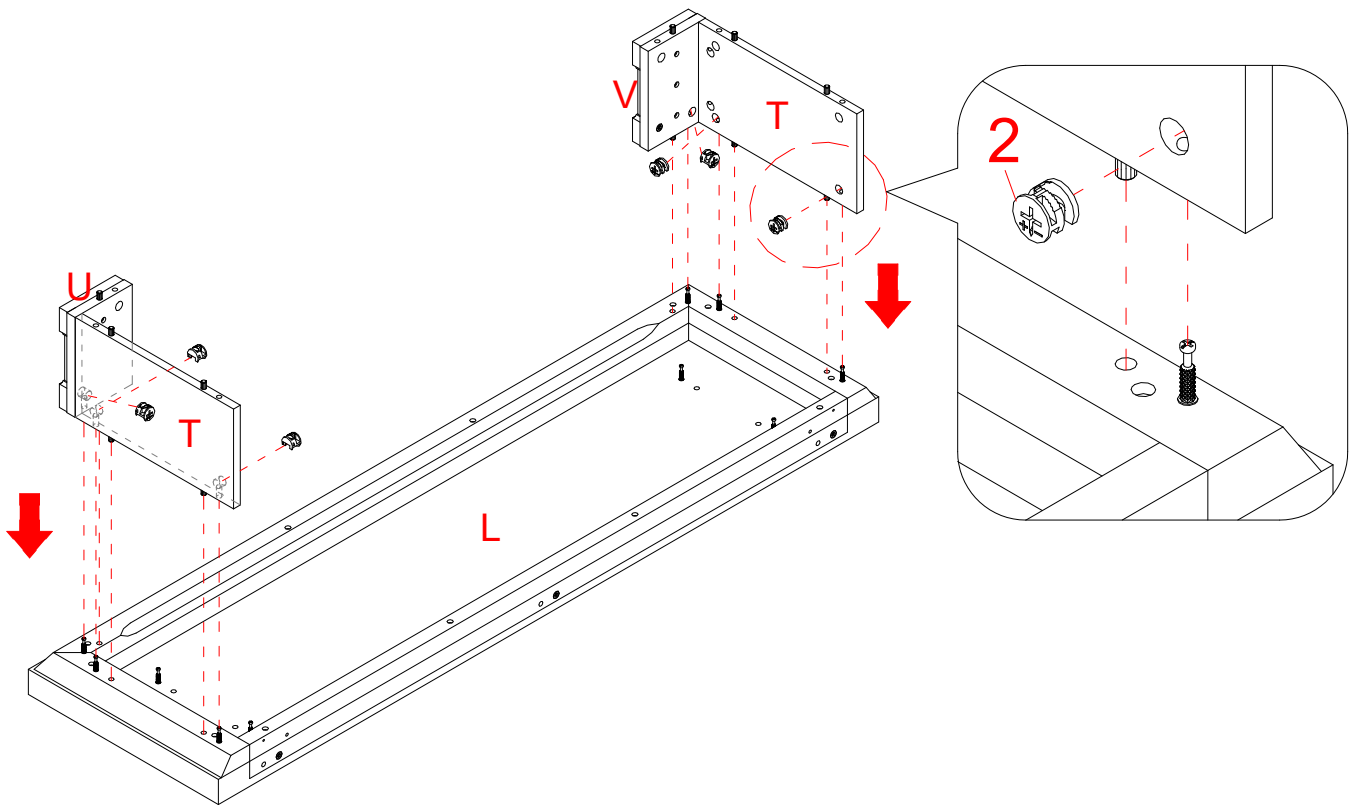


23. Glue twenty 30 mm Wood Dowels (4) into the designated holes on the two Upper Side Panels (T), Upper Moldings (U and V) and Upper Partitions (A1 and B1).

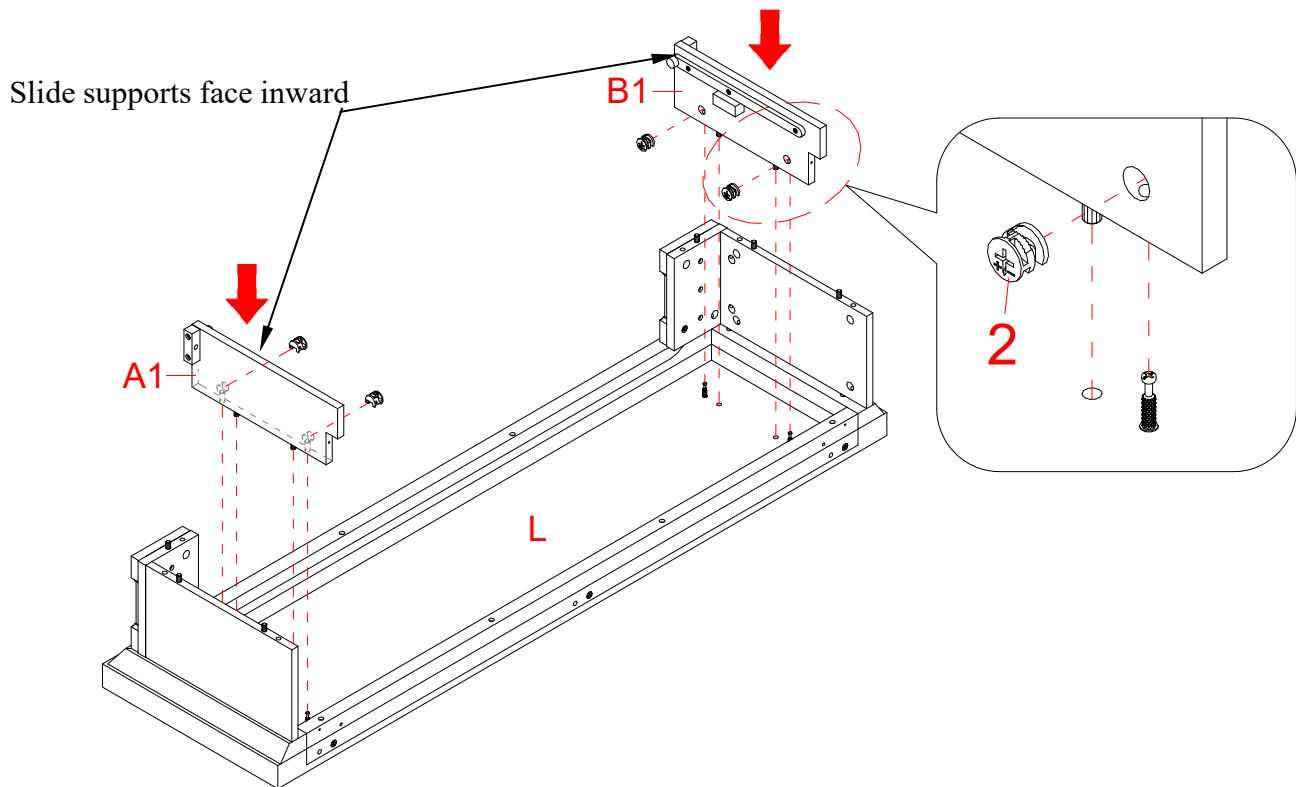


24. Align and attach each Upper Molding (U and V) to the Upper Side Panel (T) respectively by engaging and tightening two Cam Locks (2).

## Assembly Instructions

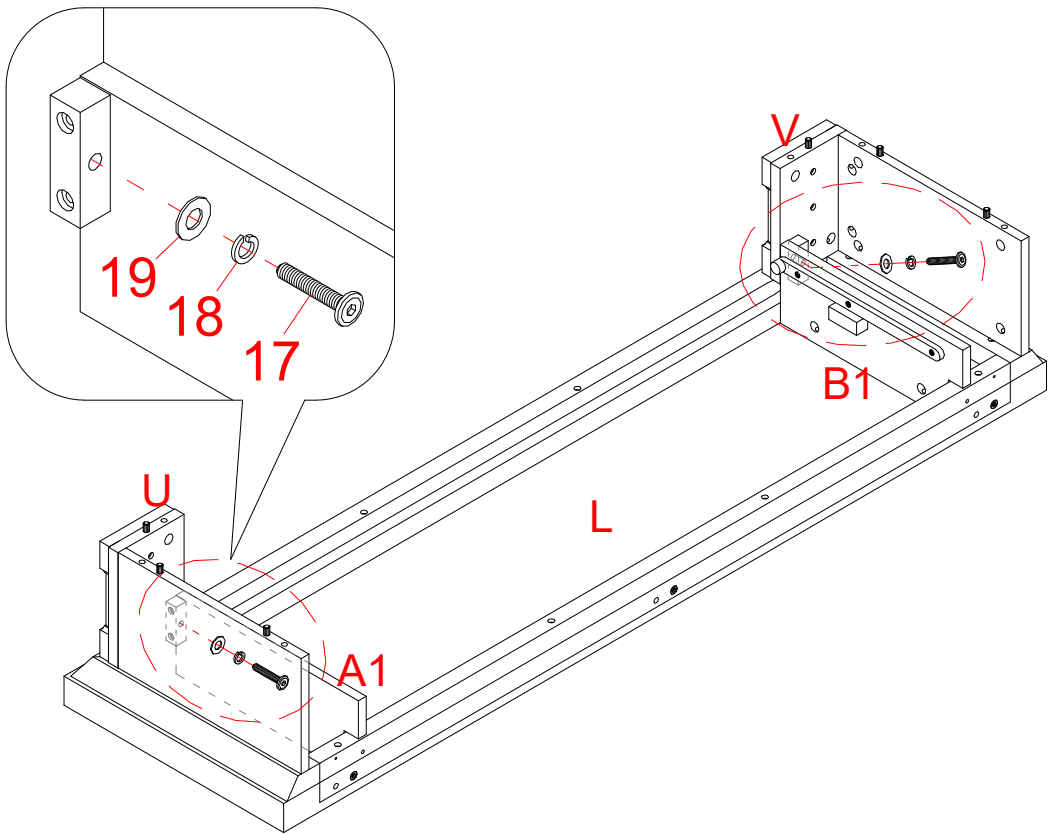


25. Orient and attach the previous assemblies to the Top Panel (L) properly and tighten them into place by engaging and tightening six Cam Locks (2).

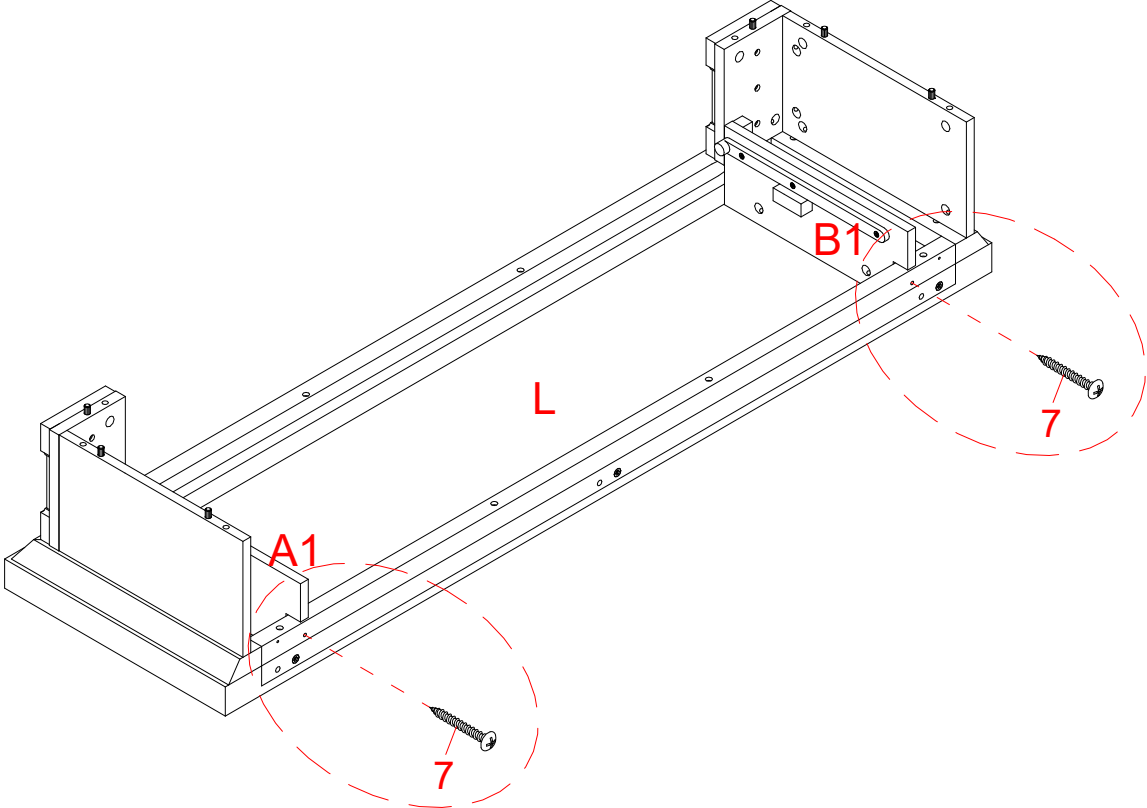


26. Orient and attach the Upper Partitions (A1 and B1) to the Top Panel (L) by engaging four Cam Locks (2). Turn the cam locks with a Phillips screwdriver until securely locked onto the cam bolts.

# Assembly Instructions

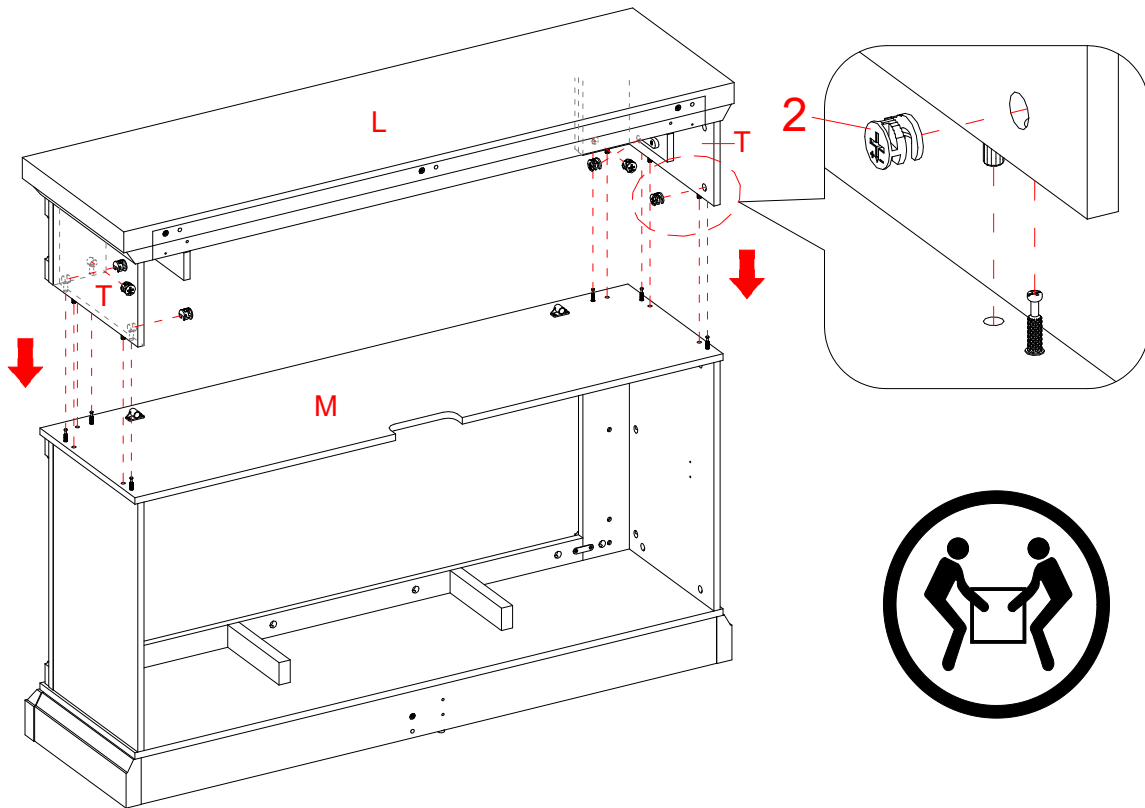


27. Insert two 32 mm Bolt (17) with the Lock Washers (18) and Flat Washers (19) through the wood cleats on both Upper Partitions (A1 and B1) and securely screw into the Upper Moldings (U and V).

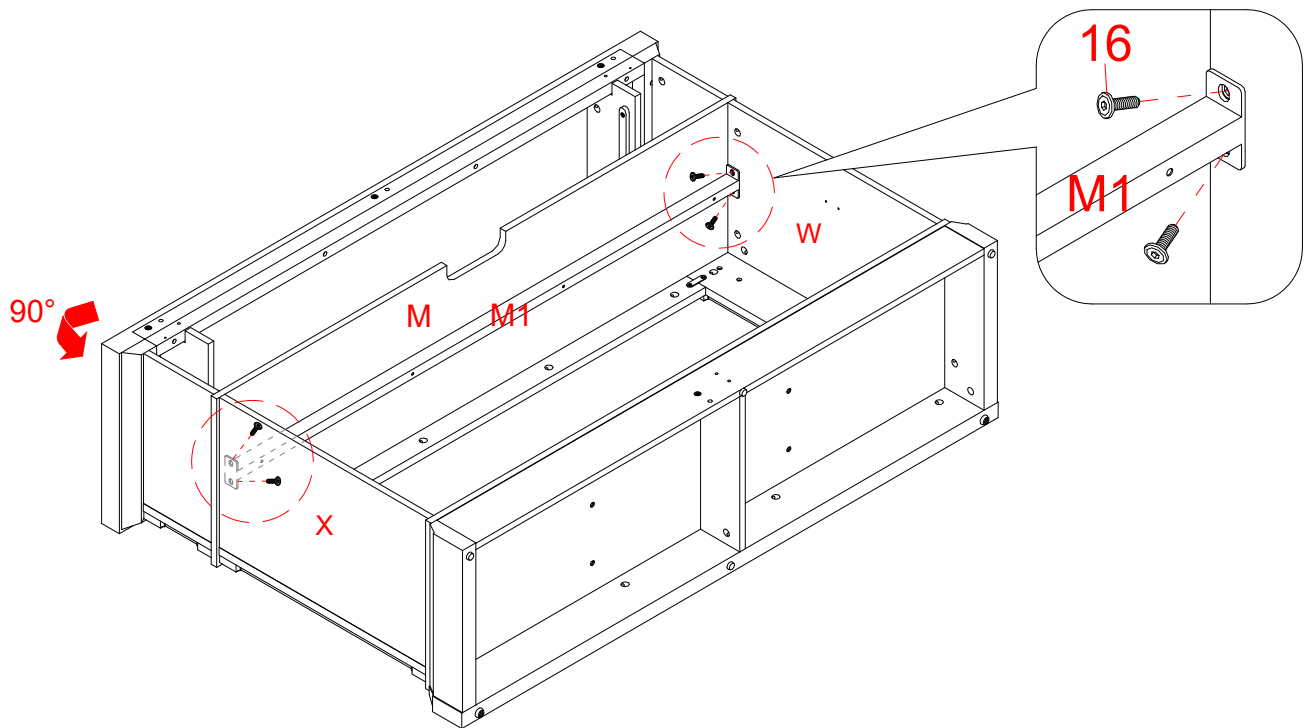


28. Proceed to insert two 50 mm Screws (7) through the back rail of the Top Panel (L) and screw into both Upper Partitions (A1 and B1). Tighten the screws with a Phillips screwdriver.

## Assembly Instructions



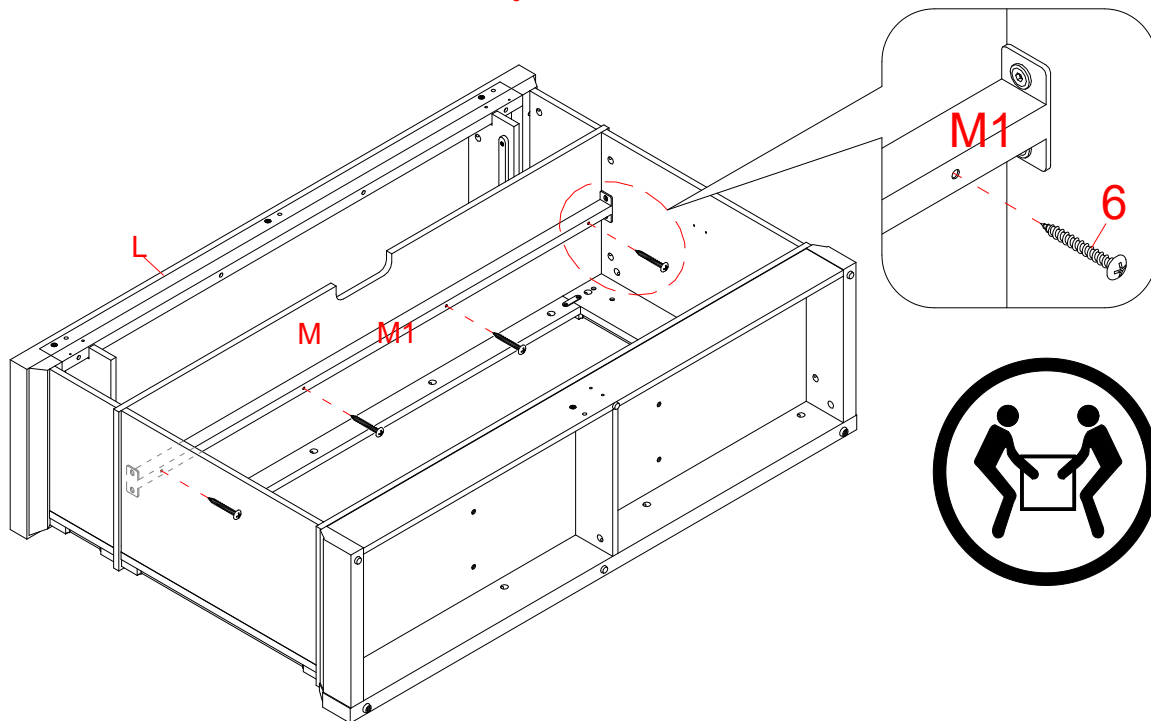
29. Orient and attach the top panel assembly to the Media Shelf (M) by engaging and tightening six Cam Locks (2).



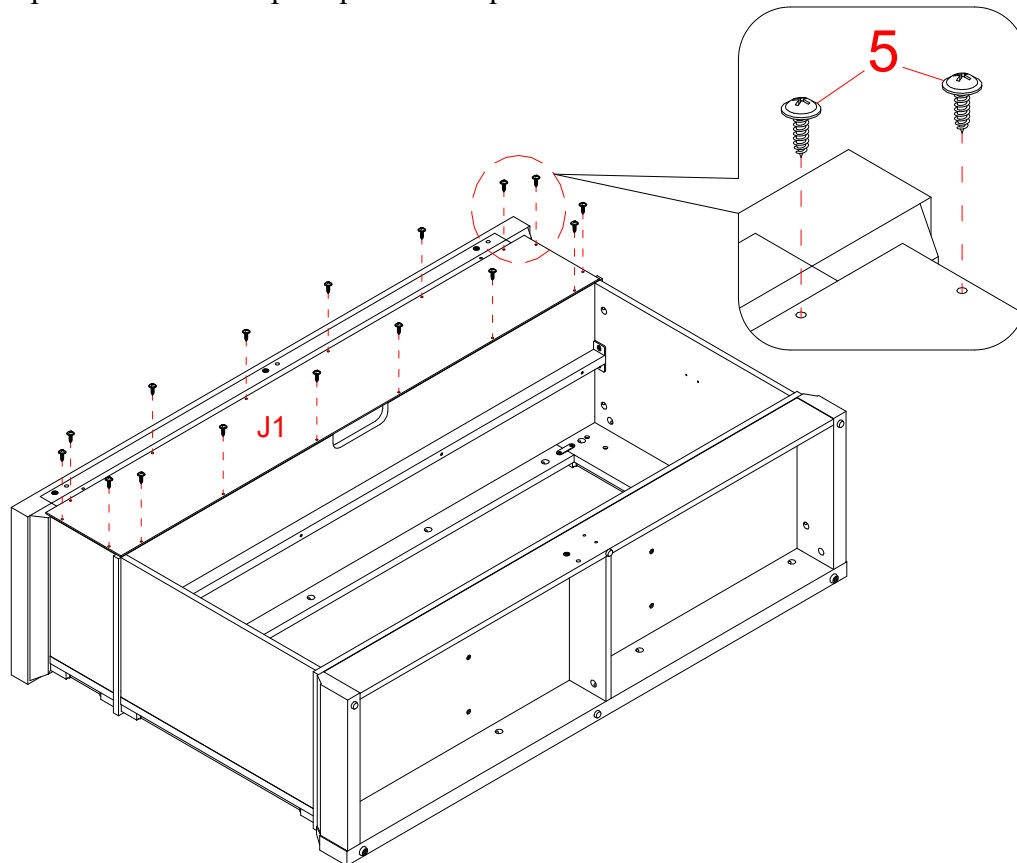
30. Ask for assistance to lay the assembled unit on its front edges as shown.

31. Fasten the Metal Stretcher (M1) between the Lower Side Panels (W and X) with four 12 mm Bolts (16).

## Assembly Instructions



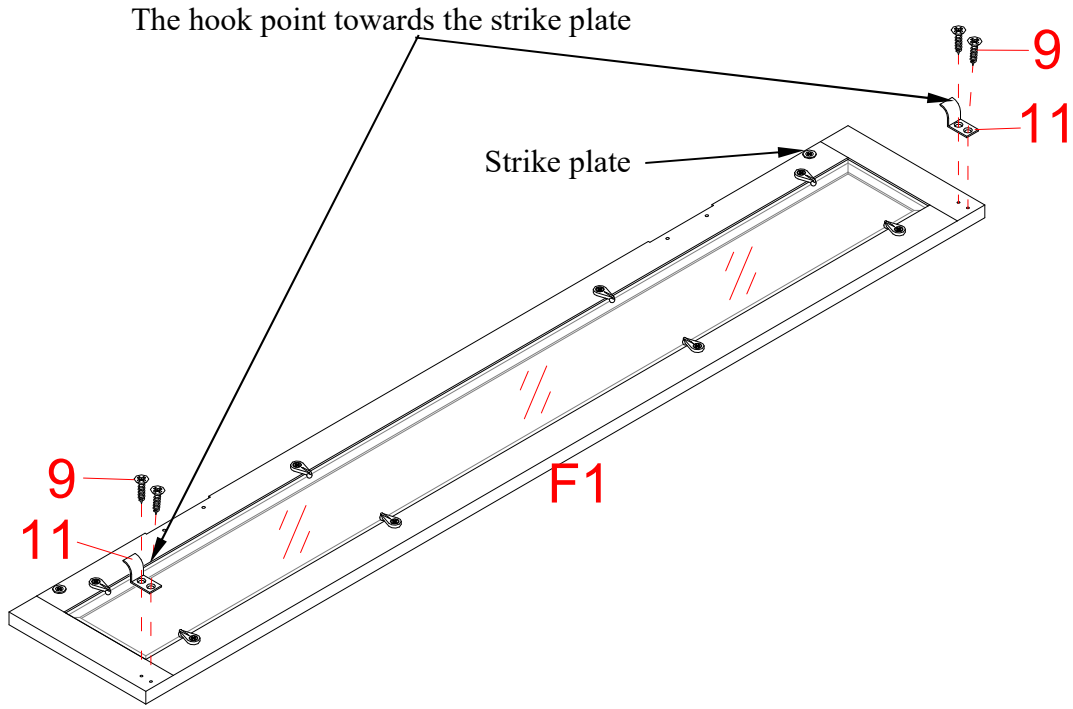
32. Insert four 42 mm Screws (6) through the drilled holes on the Metal Stretcher (M1) and screw into the Media Shelf (M).
33. Go back and securely tighten all the fasteners. Make sure that all the parts are tight and there are no gaps between the parts. This will help keep the unit square.



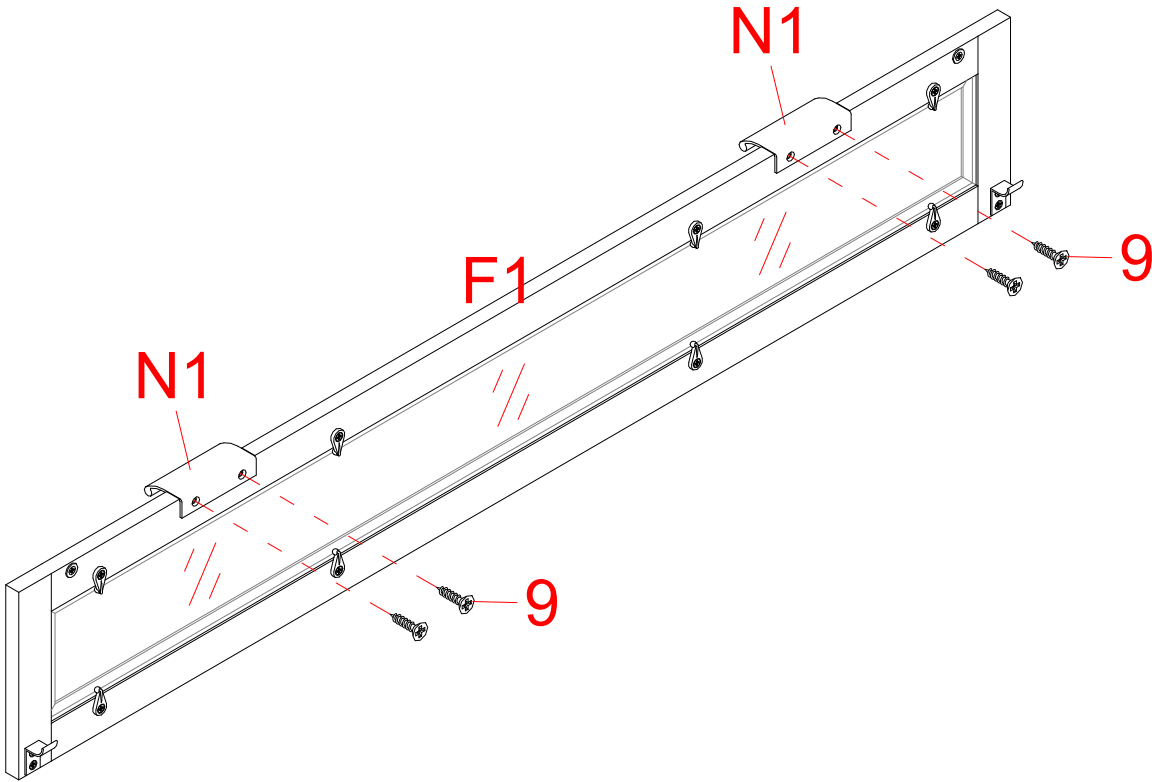
34. Pick up the Back Panel (J1) and align the pre-drilled holes against the upper long edge with the pilot holes on the back of the Top Panel (L). Fasten it into place with sixteen Washer Head Screws (5) provided.

**NOTE:** We recommend attaching back panel with washer head screws at the corners first.

# Assembly Instructions

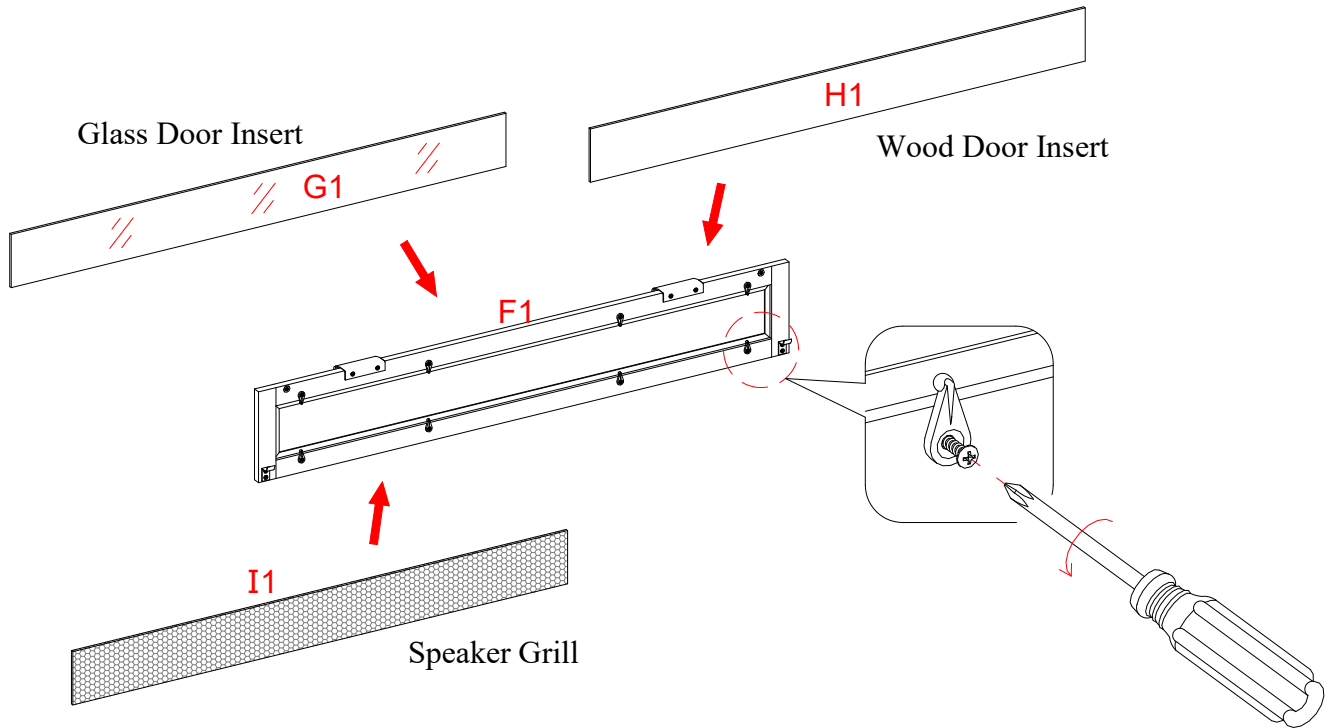


35. Using the pilot holes as a guide, orient and fasten two Flip Brackets (11) to the corners of the Barrister Door (F1) with four 12 mm Screws (9) as shown.



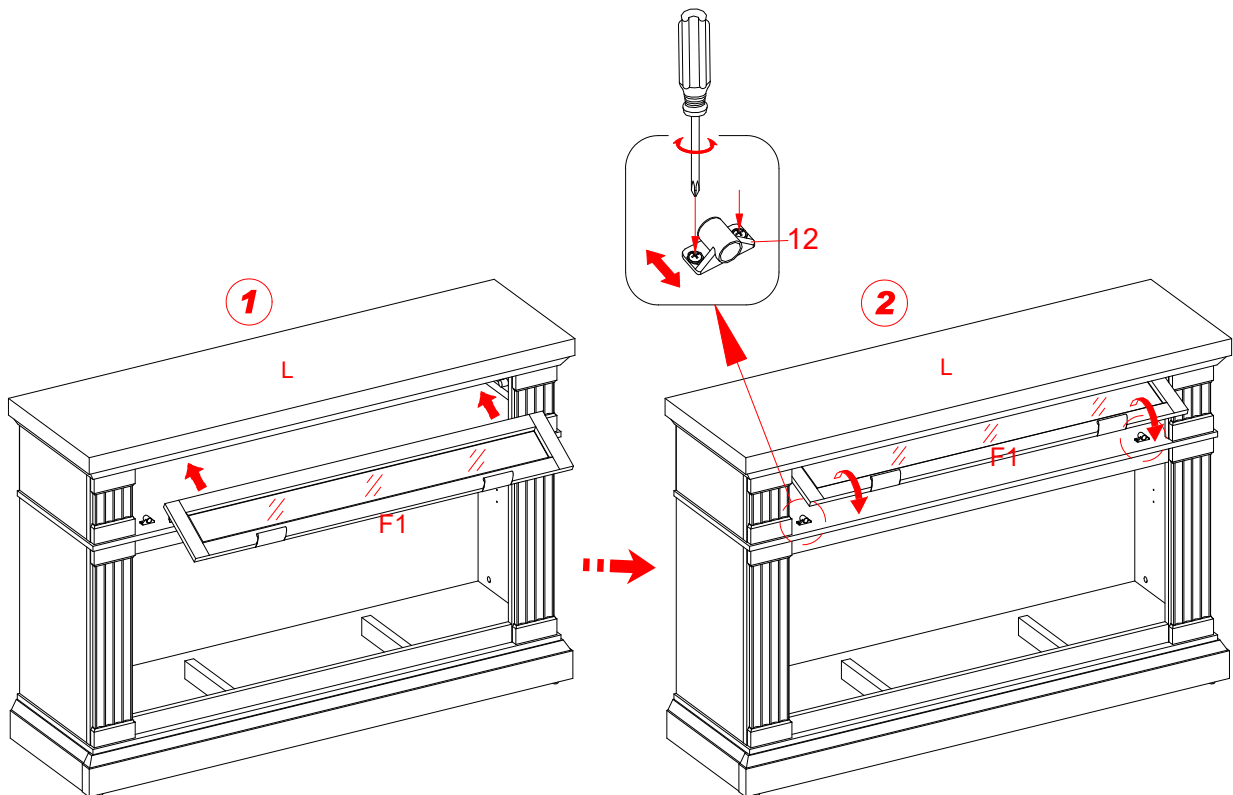
36. Install two Handles (N1) to the front side of the Barrister Door (F1) with four 12 mm Screws (9) as shown.

## Assembly Instructions



**NOTE:** The barrister door is shipped with the Glass Door Insert (G1). You can keep the door as it is or interchange with the Wood Door Insert (H1) or Speaker Grill (I1) depending on your configuration.

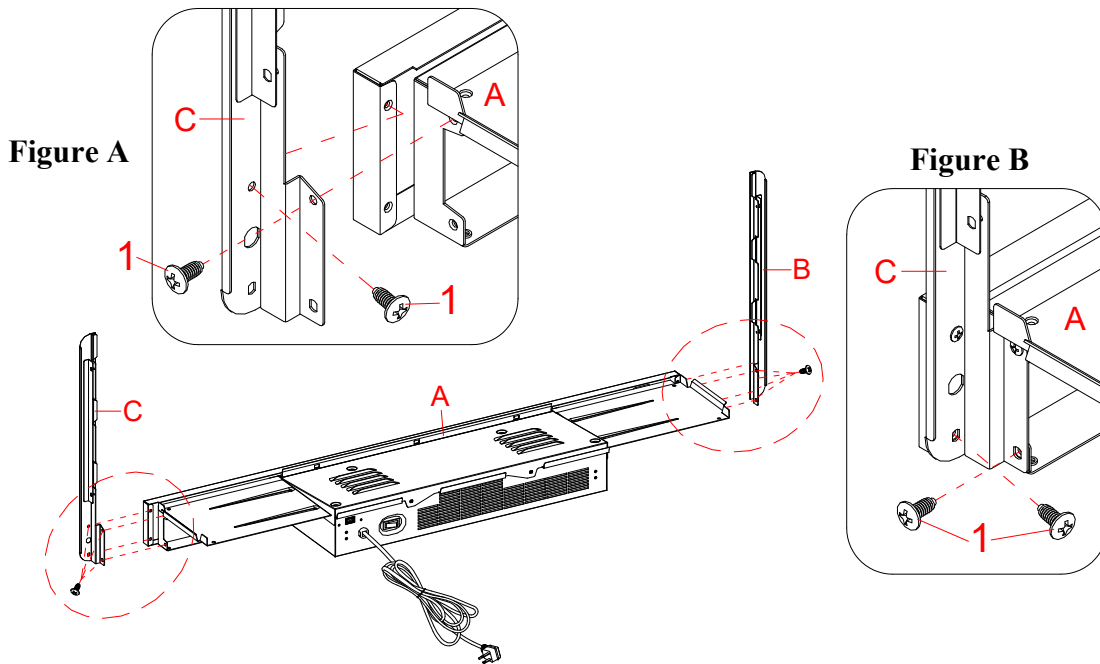
37. To change the configuration, loosen the screws on the inside of Barrister Door (F1) and rotate the clips to remove the door insert. Replace with the desired door insert or speaker grill, then rotate clips to secure the panel or speaker grill within the door frame and tighten screws.



38. Hook the Barrister Door (F1) onto the pre-attached slide supports on the Upper Partitions (A1 and B1) and tuck it underneath the Top Panel (L) in one smooth motion.

39. Loosen and adjust the screws on the Magnetic Catches (12) to compensate for misalignment.

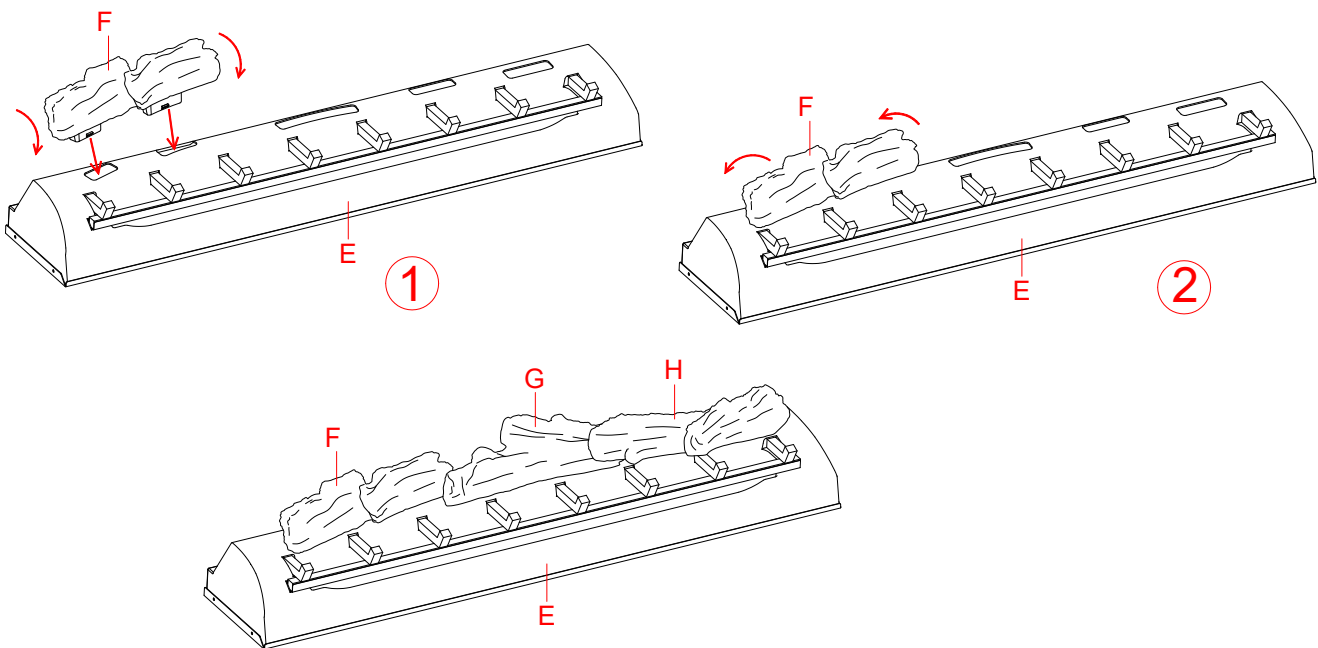
## Assembly Instructions



**IMPORTANT NOTE:** Use hand screwdriver, not power driver to assemble fireplace insert. See BILT for video instructions.

40. See figure A: Fasten upper 2 Insert Screws (1) through the Upright Arm (C) into the Heater (A) until tight.
41. See figure B: Fasten lower 2 Insert Screws (1) into the Upright Arm (C) until tight.
42. Fully tighten all 4 Insert Screws (1) one final time.
43. Repeat the same process with Upright Arm (B).

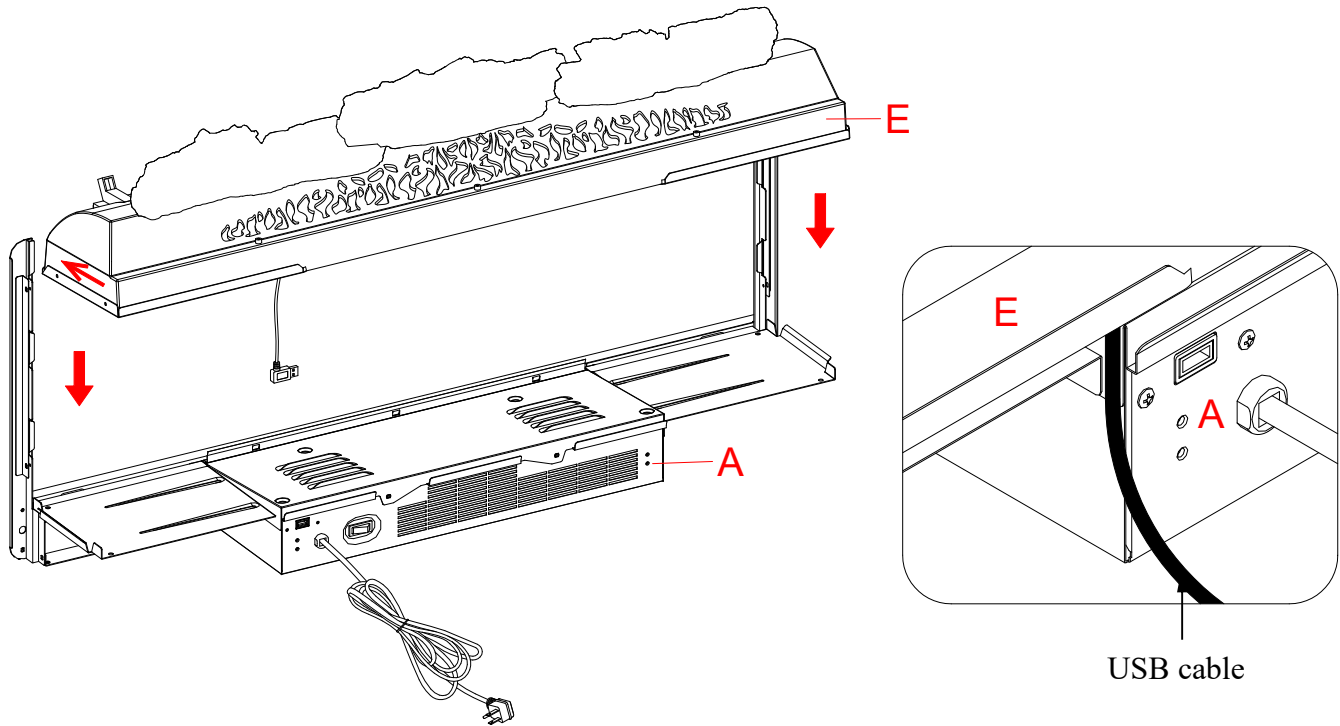
**WARNING:** Do not lift or transport the heater by using the upright arms.



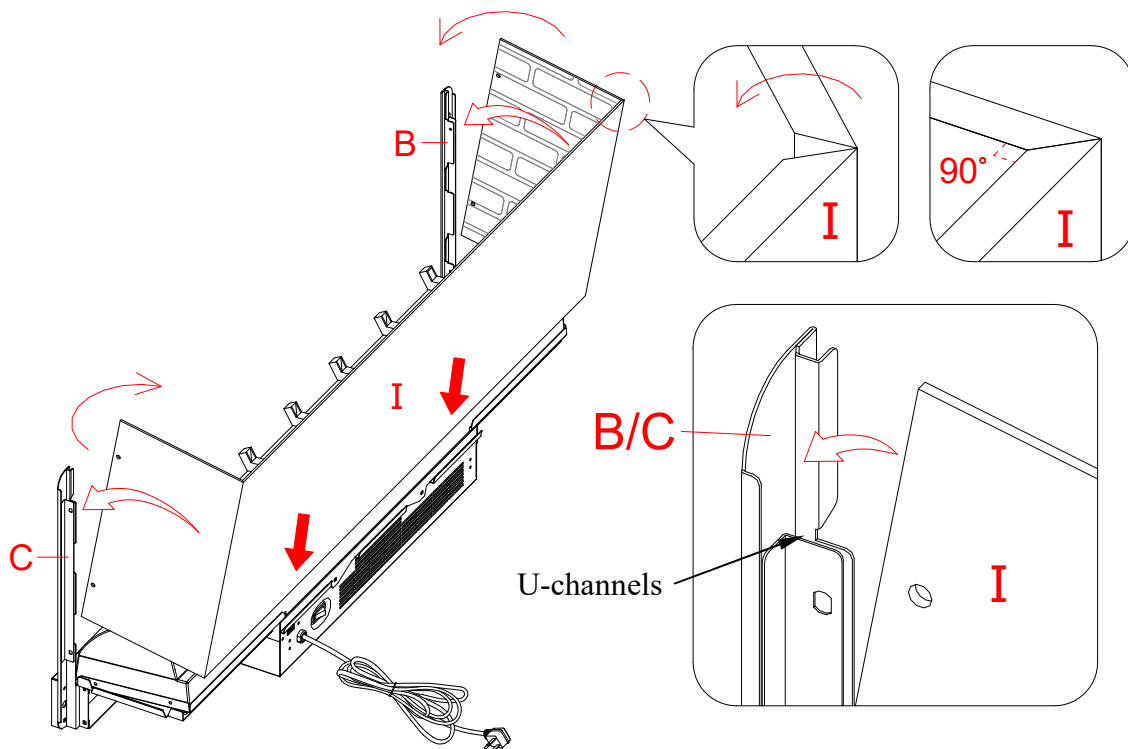
**IMPORTANT:** Carefully follow the 2 steps below for inserting each log.

44. Install Left Log (F) into left hole of Ember Bed (E) by inserting front edge of base of the log into front notches of ember bed hole.
45. Then tilt the log back to insert the rear edge of the log base into rear notches of ember bed hole (press down log firmly to lock into position).
46. Repeat the above process for the Middle and Right Logs (G and H).

## Assembly Instructions

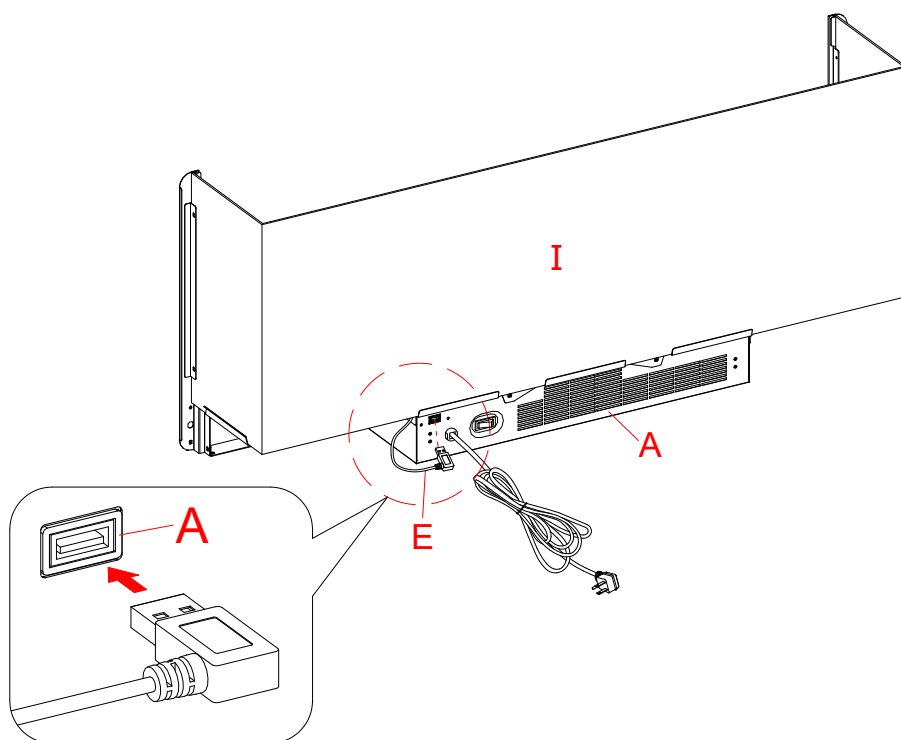


47. Set the Ember Bed (E) onto the Heater (A) as shown.
48. Push ember bed forward against the front flange of heater.
49. Position the USB cable as shown.

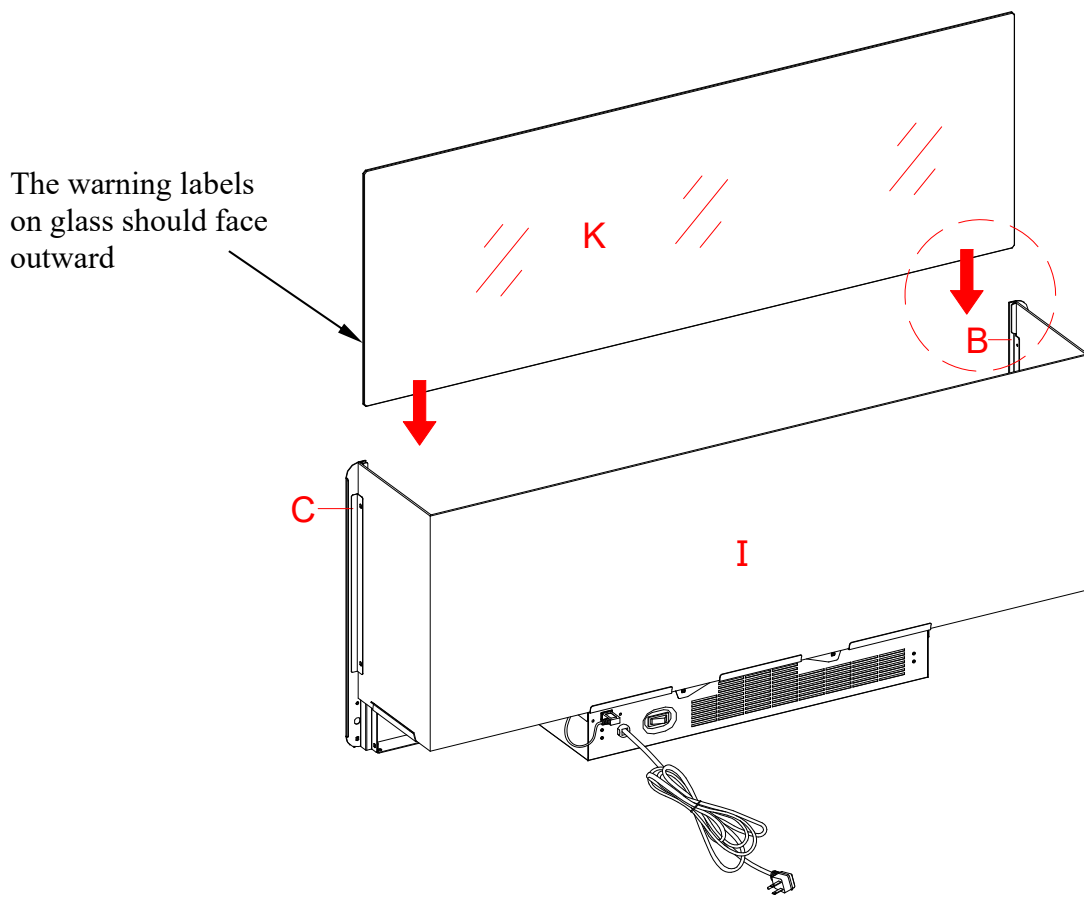


50. Fold the Wall Panel (I) as shown. Then position yourself at back side of Heater (A).
51. Hold Wall Panel (I) at the angle shown above and insert lower back edge into metal slots on back of Heater (A).
52. Tilt Wall Panel (I) forward until bottom corners insert into lower U-channels on both Upright Arms (B and C).
53. Continue to tilt Wall Panel (I) forward until the top corners insert into upper U-channels on both Upright Arms (B and C).

## Assembly Instructions

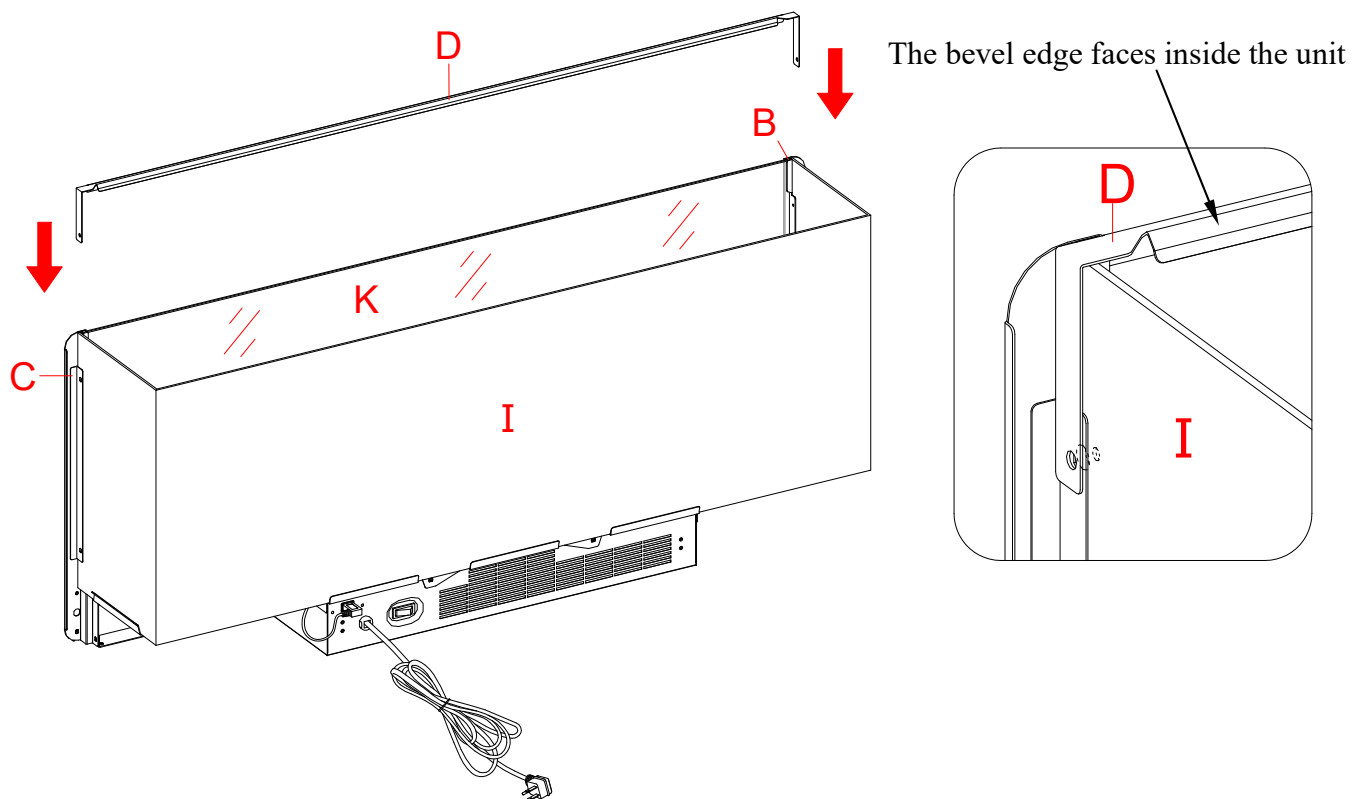


54. Fully plug the USB connector of the Ember Bed (E) into the back port of Heater (A).

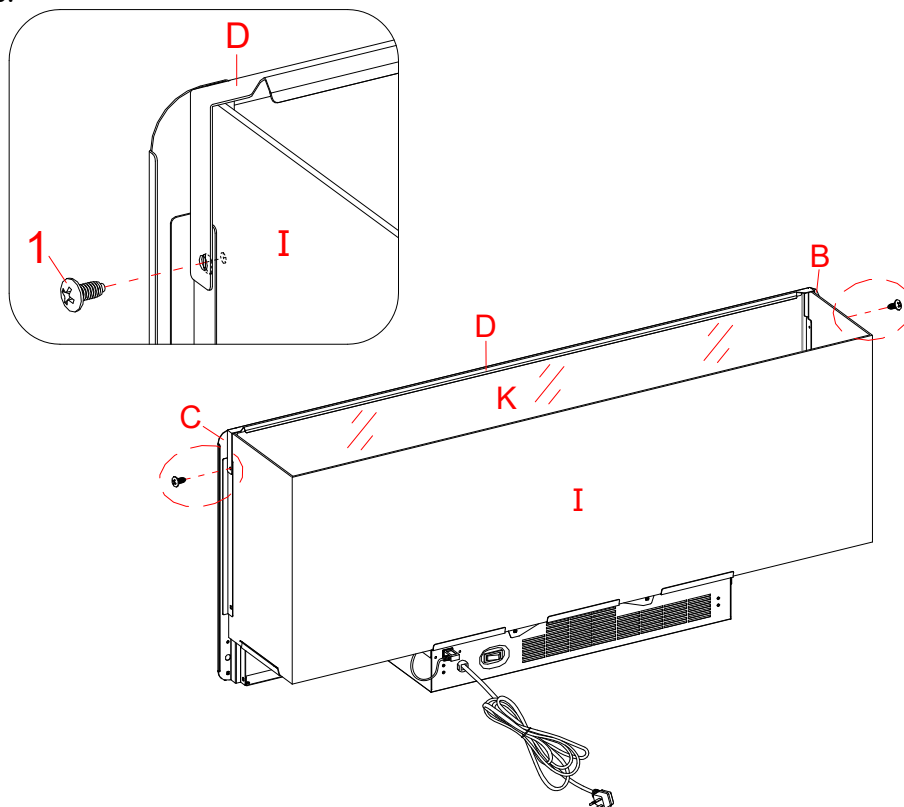


55. Slide the Glass (K) into the inner U-channels on both Upright Arms (B and C) until the glass sits onto the Heater (A). If needed, push top of upright arms in or out to accommodate glass. Make sure the top of the Glass (K) is flush with the top of both Upright Arms (B and C).

## Assembly Instructions

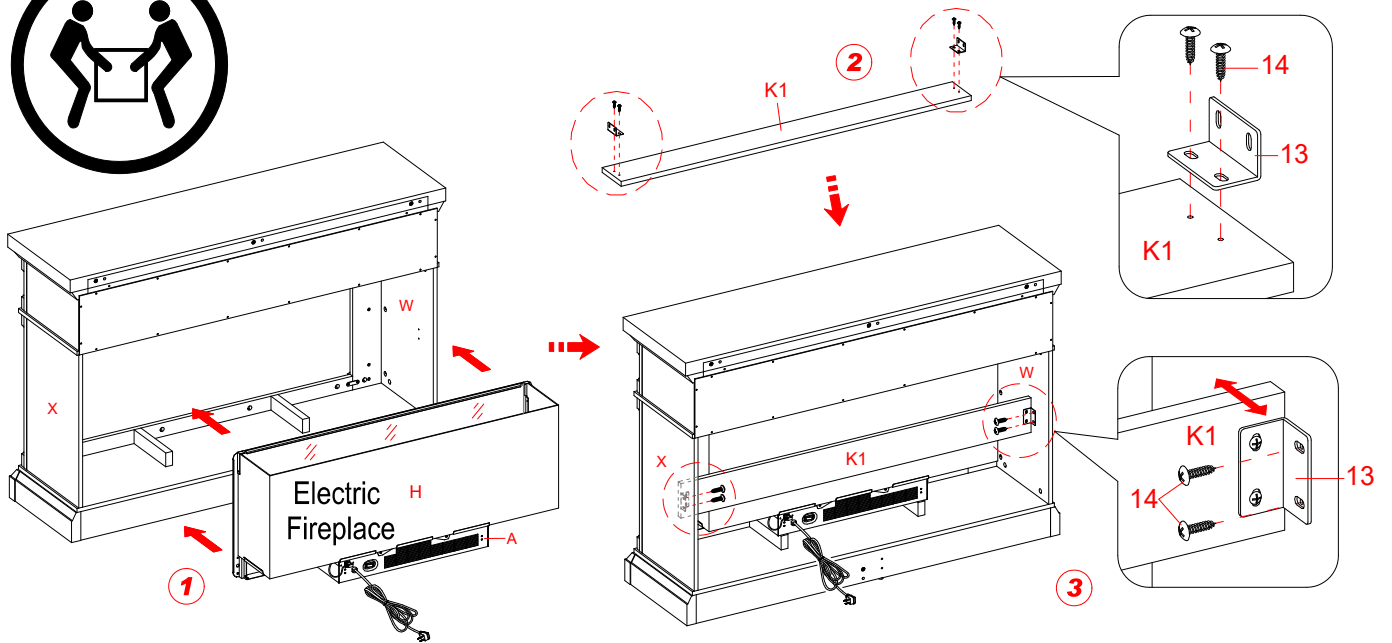
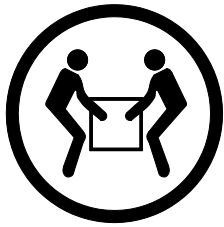


56. Position Top Connector Strap (D) over the Glass (K) and Upright Arms (B and C). Follow orientation shown above.

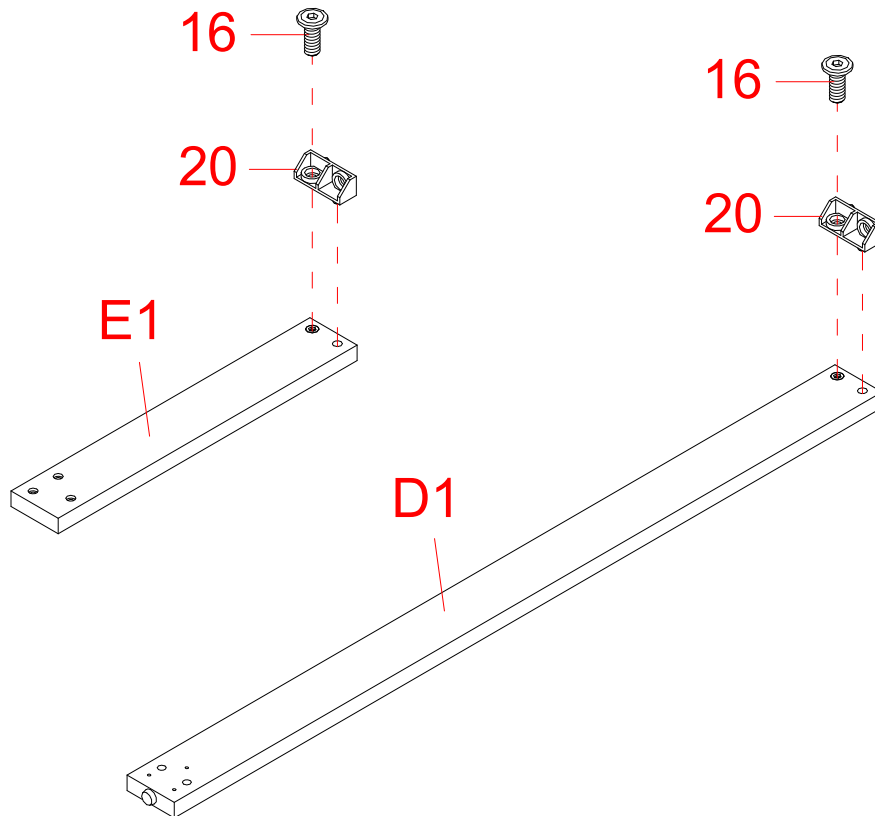


57. Fasten Connector Strap (D) to both Upright Arms (B and C) using two Insert Screws (1) as shown above. Holes must be in line for screw to pass through.

## Assembly Instructions

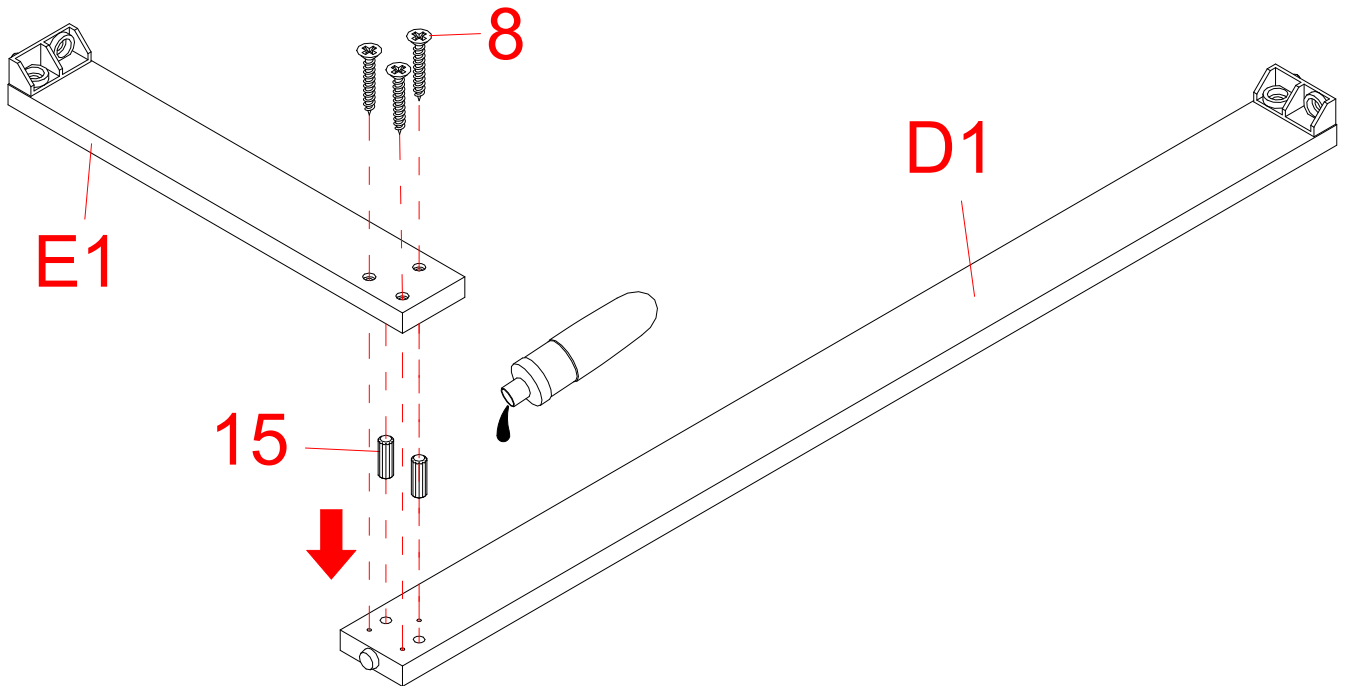


58. Lift the fireplace insert carefully into the back of the assembled mantel and rest it onto the Firebox Supports (L1). Proceed to gently slide the fireplace insert forward and center it in the opening.
59. Using the pilot holes as a guide, fasten two L-shaped Brackets (13) onto the Firebox Holder (K1) with four 12 mm Pan Head Screws (14). Make sure that the right-angle side of the bracket is flush with the short edge of Firebox Holder (K1).
60. Fasten the Firebox Holder (K1) between the Lower Side Panels (W and X) with four 12 mm Pan Head Screws (14), using the pilot holes as a guide.

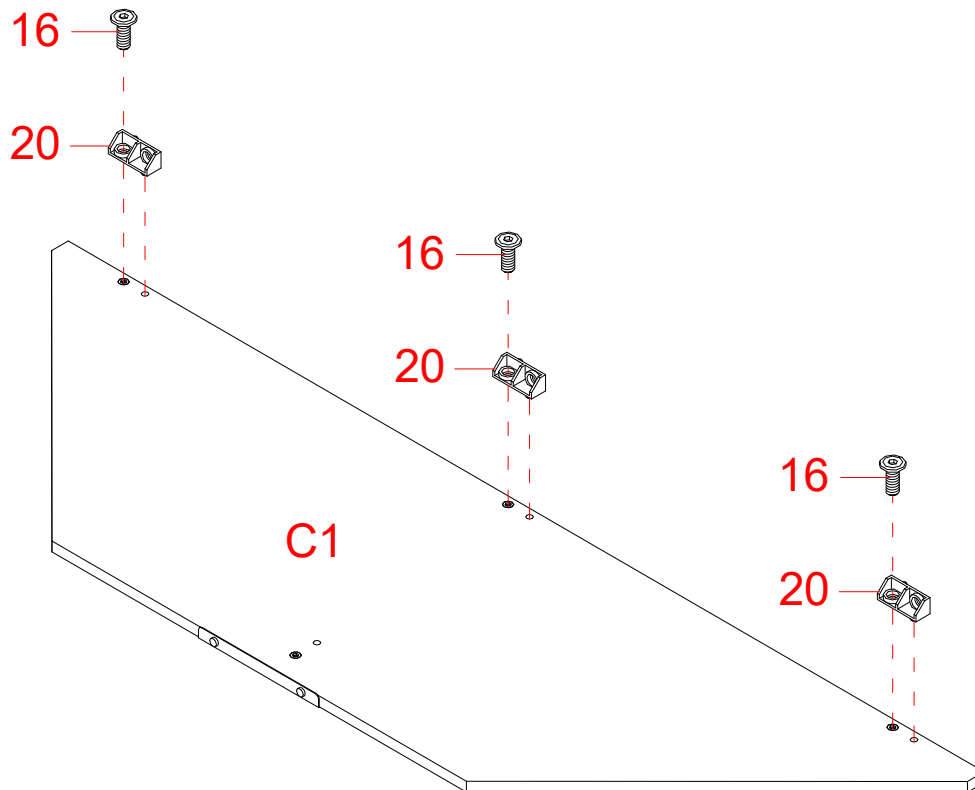


61. Fit the extruding pin into the non-threaded hole and fasten one Plastic Connector (20) to each Corner Support (D1 and E1) with two 12 mm Bolts (16). Make sure that the right angle side is flush with the adjacent edges.

## Assembly Instructions

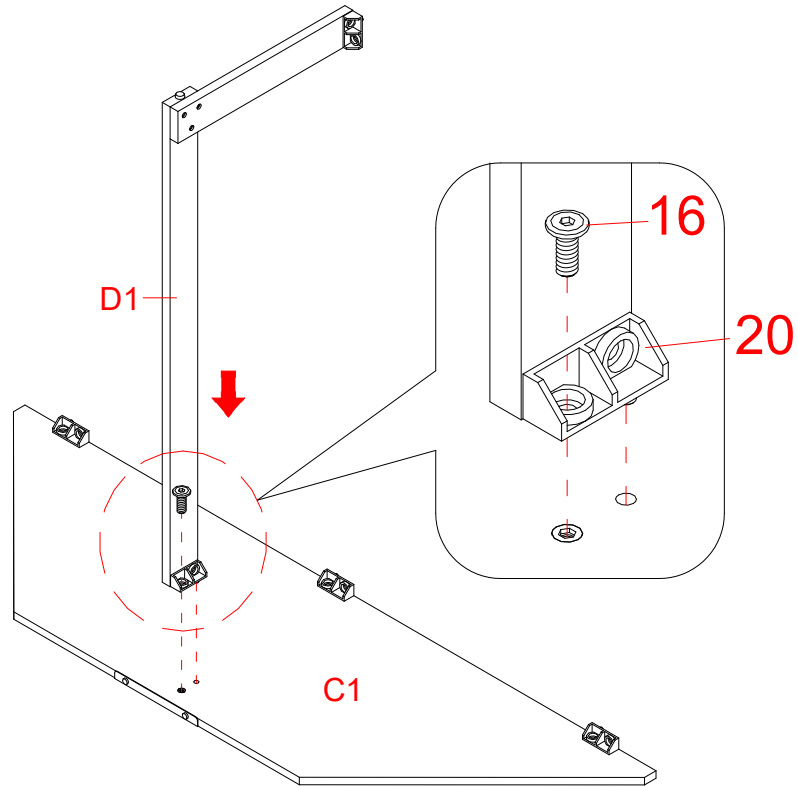


62. Glue two 20 mm Wood Dowels (15) into the large holes on the Long Corner Support (D1).
63. Attach the Short Corner Support (E1) to the Long Corner Support (D1) with three 25 mm Screws (8). Tighten the screws with a Phillips screwdriver.

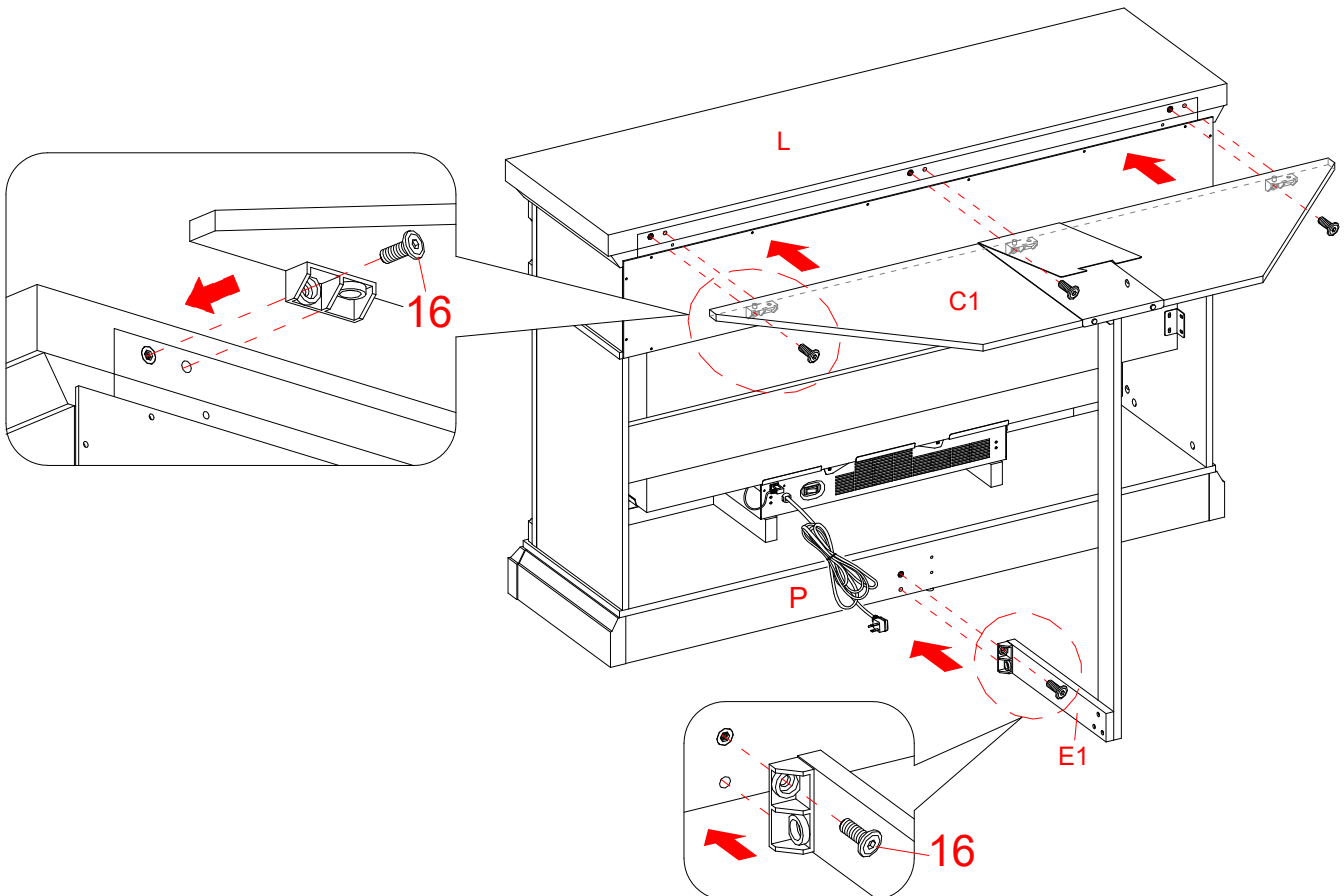


64. Attach three Plastic Connectors (20) to the Top Corner Extension (C1) with three 12 mm Bolts (16).

## Assembly Instructions

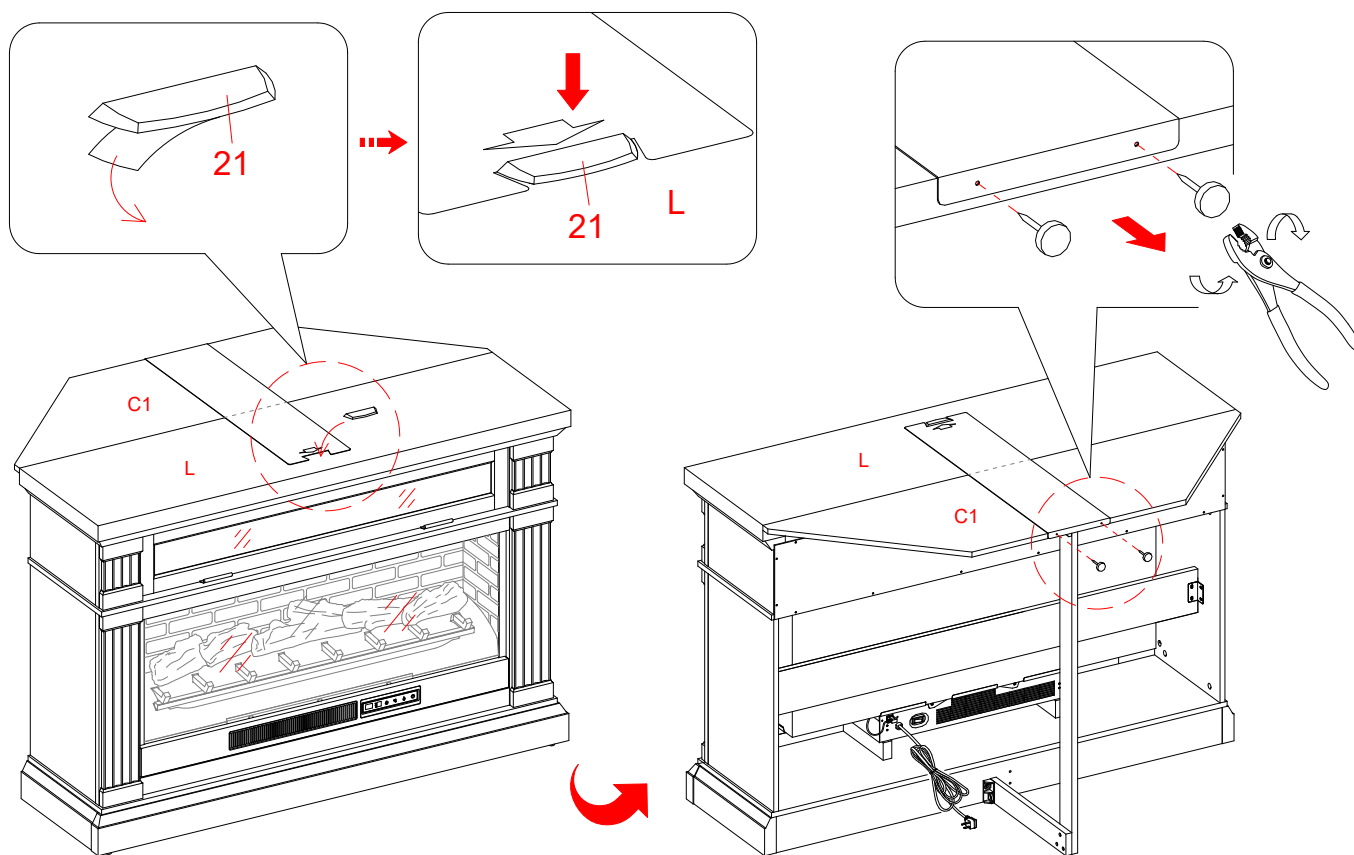


65. Attach the Long Corner Support (D1) to the Top Corner Extension (C1) with one 12 mm Bolt (16).



66. Orient and attach the assembled corner extension to the back of the Top Panel (L) and the Rear Skirting (P) with four 12 mm Bolts (16).

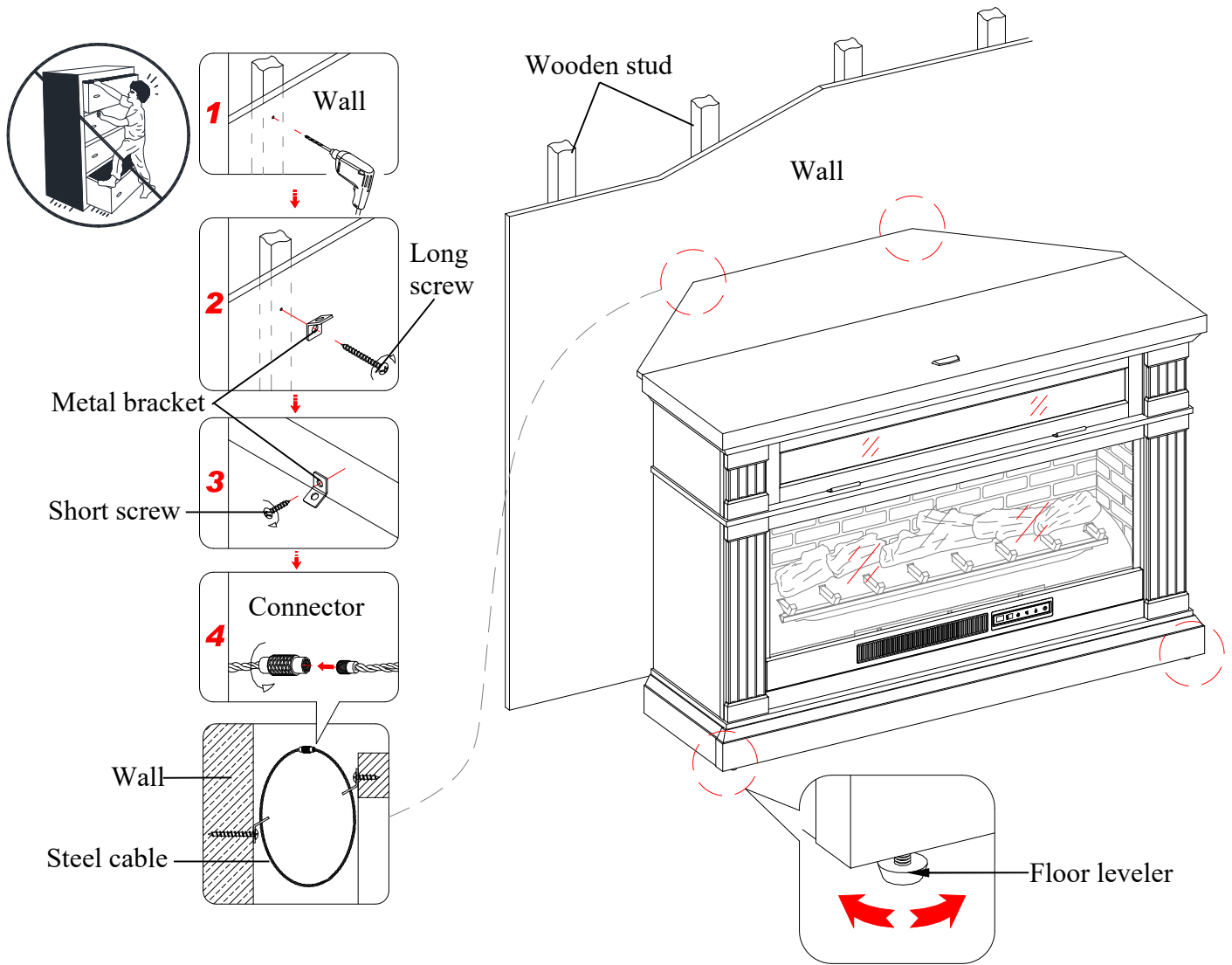
## Assembly Instructions



**NOTE:** To prevent your TV from tipping, you must install the acrylic TV stopper if you place a flat panel television on the top panel. Otherwise, skip to step 68.

67. Remove the paper backing from Acrylic Stopper (21), then properly align the acrylic stopper into the cut-out on the acrylic stopper template on the front of the Top Panel (L). Press down on the acrylic stopper to adhere it to the panel.
68. At the back of Top Corner Extension (C1), grip the head of plastic tack with pliers, with twisting motion pull tack loose to remove the acrylic stopper template.

## Assembly Instructions



**Tools required (not included):** Phillips screwdriver, stud finder, tape measure, pencil, power drill and 1/8" drill bit.

69. Ask assistance to position the assembled unit at the desired location and adjust the pre-attached floor levelers as necessary to correct the tilting against a wall.
70. Now, follow the instructions printed on the plastic bag containing the Tipping Restraint Hardware to attach the tip-over restraints to the unit and the wall.

**NOTE:** The tipping restraint hardware included is for wooden stud wall construction. It must be attached to a wall stud. Depending upon your wall construction, different anchor hardware may be required. Please contact your local hardware store for assistance. Young children can be seriously injured by tipping furniture. You must install the tipping restraint hardware with the unit to prevent the unit from tipping, causing any accidents or damage. The tipping restraints are intended only as a deterrent, they are not a substitute for proper adult supervision. The tipping restraints are not earthquake restraints. If you wish to add the extra security of earthquake restraints, they must be purchased and installed separately.

71. Connect the fireplace to the power transformer. Follow the operating manual for the electric fireplace insert to control your fireplace.

## Care and Maintenance

- Use a soft, clean cloth that will not scratch the surface when dusting.
- Use of furniture polishes is not necessary. Should you choose to use polishes, test first in an inconspicuous area.
- Using solvents of any kind on your furniture may damage the finish.
- Never use water to clean your furniture as it may cause damage to the finish.
- Always use coasters under beverage glasses and flowerpots.
- Liquid spills should be removed immediately. Using a soft, clean cloth, blot the spill gently. Avoid rubbing.
- Always use protective pads under hot dishes and plates. Heat can cause chemical changes that may create spotting within the furniture finish.
- Stains or marks from crayons or ink markers will be difficult to remove.
- In the event that your furniture is stained or otherwise damaged during use, we recommend that you call a professional to repair your furniture.
- Check bolts/screws periodically and tighten them if necessary.
- A touchup pen has been provided to minimize the small nicks or scratches that may occur during assembly or shipping.

## WARNING

Please use your furniture correctly and safely. Improper use can cause safety hazards, or damage to your furniture or household items. Carefully read the following safety information.

This unit is not intended for use with CRT TVs. The top surface maximum weight capacity is 36.3 kg (80 lb) and maximum load 165.1 cm (65 in.) diagonal flat-panel TV. The shelf maximum recommended weight allowance is 22.7 kg (50 lb). Use with heavier televisions may result in instability causing tip over resulting in death or serious injury.

Death or serious injury may occur when children climb on audio and/or video equipment furniture. A remote control or toys placed on the furnishing may encourage a child to climb on the furnishing and as a result may tip over onto the child.

**NEVER** allow children to climb or play with the TV or furnishing supporting the TV.

**NEVER** place toys, food, remote, etc. on top of the TV or TV furnishing.

**ALWAYS** use either the safety hardware as instructed or other wall anchoring device.

Relocating audio and/or video equipment to furniture not specifically designed to support audio and/or video equipment may result in death or serious injury due to furniture collapse or over turning onto a child.

**NEVER** place a TV on furniture that is not intended to support a TV.

**NEVER** exceed the maximum size and weight of the TV shown in the instructions.

Be sure to refer to the TV warning label as shown in the instructions.

Overloading drawers and shelves may result in furniture that can break or sag, or tip-over which may result in injury.

**NEVER** exceed the weight limits shown in the instructions.

Place the heavier items on lower shelves as far back from the front as possible.

Load the bottom surfaces first to avoid top-heavy furniture.

Moving furniture that is not designed to be moved or equipped with casters may result in injury or damage to furnishings or personal property.

**ALWAYS** unload shelves and drawers, starting with the top surfaces, before moving.

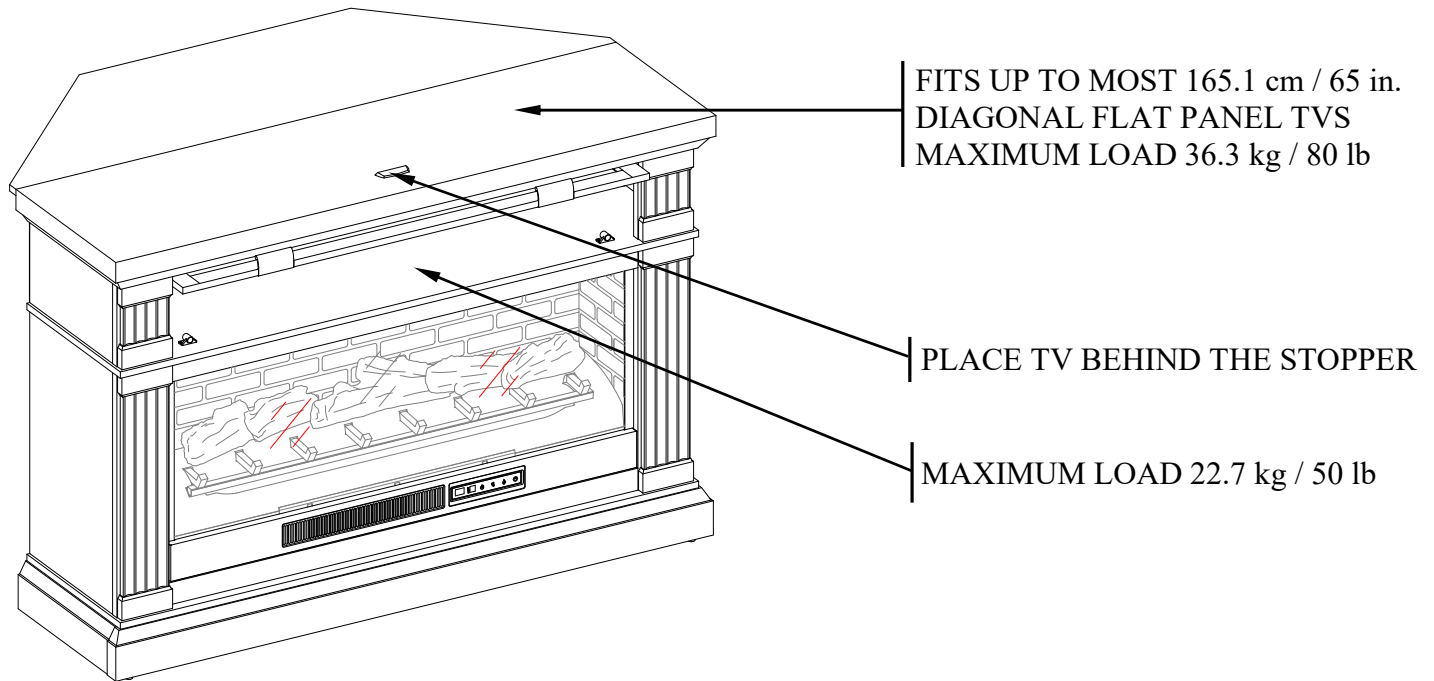
**NEVER** push or pull furniture on carpet. Have a friend help lift properly to move and/or reposition it.

The unit is not meant as a seat and no one should be sitting or standing on the unit.

Clean the metal trim using a soft cloth, slightly dampened with citrus oil-based product and buff with a clean soft cloth. **DO NOT** use brass polish or household cleaners as these products will damage the metal trim. Citrus oil-based products can be obtained at supermarkets or hardware stores.

## MAXIMUM RECOMMENDED WEIGHT LOADS

MANUFACTURER: Whalen Furniture Manufacturing  
CATALOG : Mansfield 54" Fireplace Console  
MODEL #: MFP54MF42HLAACY / MFP54MF42HLALBR



**WARNING** THIS UNIT IS NOT INTENDED FOR USE WITH CRT TVS. USE ONLY WITH FLAT PANEL TVS AND AUDIO/VIDEO EQUIPMENT MEETING RECOMMENDED SIZE AND WEIGHT LIMITS. NEVER USE WITH LARGER/HEAVIER THAN RECOMMENDED FLAT PANEL TVS OR EQUIPMENT. TO AVOID INSTABILITY, PLACE FLAT PANEL TV IN THE CENTER OF THE UNIT; THE BASE OF THE TELEVISION MUST BE ABLE TO REST ON THE SUPPORTING SURFACE OF THE UNIT WITHOUT OVER-HANGING THE EDGES. IMPROPERLY POSITIONED FLAT PANEL TVS, OR FLAT PANEL TVS INCLUDING OTHER EQUIPMENT THAT EXCEED RECOMMENDED SIZE AND WEIGHT LIMITS COULD FALL OFF OR BREAK THE UNIT, CAUSING POSSIBLE SERIOUS INJURY. FOR USE WITH TELEVISIONS WEIGHING 80 LB (36.3 KG) OR LESS. USE WITH HEAVIER TELEVISIONS MAY RESULT IN INSTABILITY CAUSING TIP OVER RESULTING IN DEATH OR SERIOUS INJURY.

### QUALITY GUARANTEE

We are confident that you will be delighted with your Whalen Furniture purchase.

Should this product be defective in workmanship or materials or fail under normal use, we will repair or replace it for up to one (1) year from date of purchase. Every Whalen Furniture product is designed to meet your highest expectations. We guarantee that you will immediately see the value of our fine furniture.

This warranty gives you specific legal rights and you may also have other rights which vary from state to state.

Whalen Furniture Manufacturing  
1578 Air Wing Road, San Diego, CA 92154, USA  
Customer Service: 1-866-942-5362  
8:30 a.m. - 4:30 p.m., PST, Monday to Friday  
[www.whalenfurniture.com](http://www.whalenfurniture.com)